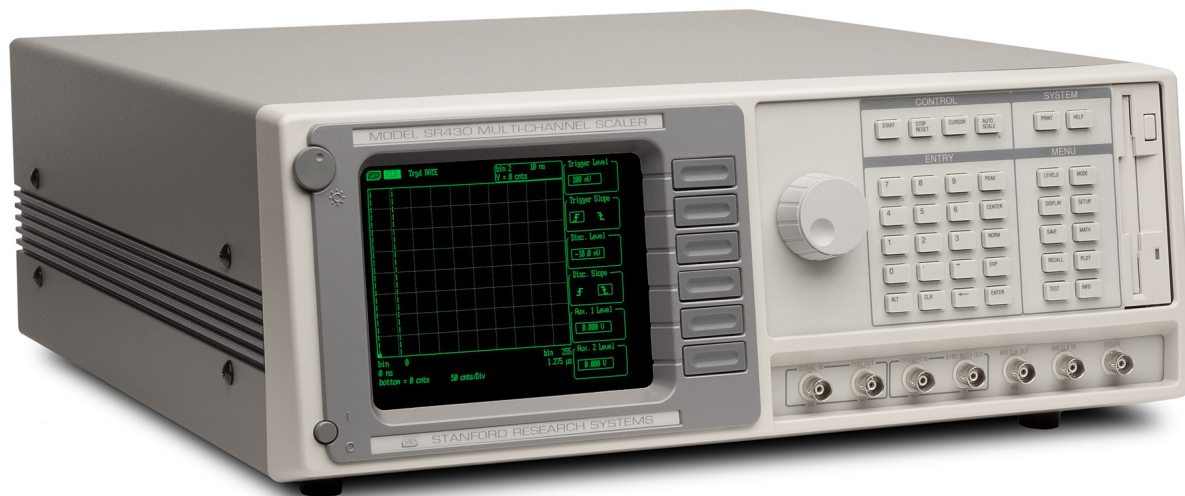


Photon Counters

SR430 — 5 ns multichannel scaler/averager



SR430 Multichannel Scaler/Averager

- **5 ns to 10 ms bin width**
- **Count rates up to 100 MHz**
- **1k to 32k bins per record**
- **Built-in discriminator**
- **No interchannel dead time**
- **On-screen data analysis**
- **Hardcopy output to printers/plotters**
- **GPIB and RS-232 interfaces**

• **SR430 ... \$7950 (U.S. list)**

The SR430 is the first multichannel scaler which combines amplifiers, discriminators, bin clocks, and data analysis in a single, integrated instrument. With its many features and its easy-to-use menu driven interface, the SR430 simplifies time-resolved photon counting experiments.

The SR430 Multichannel Scaler/Averager can be thought of as a photon counter that counts events as a function of time. A trigger starts the counter which segments photon count data into sequential time bins (up to 32k bins). The width of the bins can be set from 5 ns to 10 ms. The instrument records the number of photons that arrive in each bin.

The SR430 is useful in a variety of applications where it is necessary to count events as a function of time: LIDAR, time of flight mass spectroscopy, and fluorescence decay measurements are just a few examples.

Input and Discriminator

The SR430's analog input has a 50 Ω input impedance and an input range of ± 300 mV. The maximum input sensitivity is 10 mV, and if your input signal level is less than this, a preamplifier (like the SR445A) is recommended. The input is followed by a discriminator with a selectable slope and a threshold adjustable between ± 300 mV. A discriminator BNC output is provided at the front panel that generates a NIM level (0 to -0.7 V, active low) signal corresponding to each count.

Trigger Timing

A trigger pulse starts the data acquisition cycle. The SR430 offers a choice of bin widths ranging from 5 ns to 10.486 ms. Alternatively, an external bin clock can be provided to the SR430, allowing you to define your own bin size.

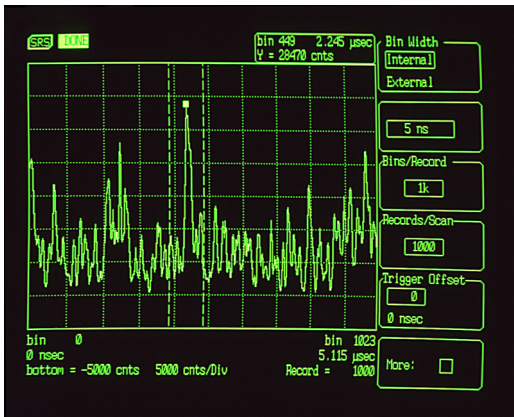
The number of bins in each record is adjustable from 1k (1024) to 32k in 1k increments. Data acquisition in the SR430 is seamless—there is no dead time between bins. Once the selected number of bins has been recorded, the SR430 either adds or subtracts the result of the current record from the accumulated bin totals.

Accumulation

The SR430 can be programmed to accumulate between one and 64k records, or set to free run. Each record can be added or subtracted from the current accumulator totals. The instrument can be set to toggle between add and subtract every N records, or an external toggle input can select the polarity of the next record. A rear-panel inhibit input allows you to selectively prevent the accumulation of any given record. The screen display is updated continuously as records are accumulated, providing a live, real-time display of the data.

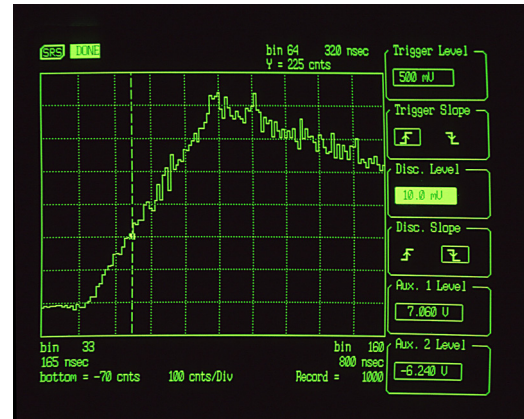
Data Display

The 7" CRT screen allows flexibility in displaying your results. Between 8 and 16k bins can be displayed on the screen at any time, and horizontal and vertical zooming and scrolling features are provided. An "Auto-scale" key quickly optimizes the screen for the current data with a single key-press. A fast, responsive, on-screen cursor lets you read the maximum, minimum or mean data value from a selected range of the graph.



Menus and Softkeys

The SR430 is based on a simple, menu-based user interface. Each menu groups related instrument functions and defines softkeys to control those functions. The instrument settings are changed by pressing the softkeys or by turning the front-panel knob. Complete context sensitive help is provided for all



menus and softkeys. The remote command list is also provided on a help screen as an aid in programming the SR430.

Data Analysis

The SR430's extensive capabilities don't stop with data acquisition. Savitsky-Golay smoothing can be applied to any portion of the data, with selectable smoothing intervals. Gaussians, exponentials or straight lines can be fit to arbitrary regions of the display, allowing you to quickly determine decay lifetimes. Basic statistical parameters can be calculated for data regions including total number of counts, mean number of counts, and variance. Basic arithmetic operations, including addition, subtraction, multiplication, division, logs and square roots, can be applied to the current data.

Built-In Disk Drive

The SR430 has a built-in 3.5" DOS-compatible disk drive to simplify data transfer between the instrument and your computer. Both data files and settings files can be stored so you can save complete instrument setups for a variety of situations and recall them instantly.

Hardcopy Output

Hardcopy output is available from the SR430 in a variety of forms. A standard Centronics printer port lets you dump the screen to dot-matrix or LaserJet compatible printers at any time. Additionally, the SR430 can plot its display on any HP-GL compatible plotter via the RS-232 or GPIB interface.

Complete Programmability

Both RS-232 and GPIB interfaces are standard on the SR430. All instrument settings and functions can be read and set via the interfaces. A complete list of all characters received and transmitted over the interfaces can be displayed on the CRT screen—an invaluable aid when debugging your programs. Numerous modes are available for downloading the count data to your computer including ASCII transfer, binary transfer, and a fast binary dump mode which transfers data continuously over the GPIB interface as it is being acquired.

SR430 Specifications

Signal Input

| | |
|-------------------|--|
| Bandwidth | DC to 250 MHz |
| Input impedance | 50 Ω |
| Linear range | ± 300 mV (at input) |
| Input protection | ± 5 VDC, 50 V for 1 μ s |
| Overload recovery | 5 ns for <10 μ s duration overload |

Discriminator

| | |
|-----------------------|--|
| Discriminator range | -300 mV to +300 mV |
| Resolution | 0.2 mV |
| Slope | Positive or negative |
| Accuracy | 2 mV + 1 % |
| Min. pulse amplitude | 10 mV |
| Pulse-pair resolution | 10 ns (typ.) |
| Discriminator output | NIM level into 50 Ω . (There is a 20 ns insertion delay from the signal input to the discriminator output.) |

Trigger Input

| | |
|------------|------------------------------------|
| Impedance | 10 k Ω |
| Threshold | -2.000 V to +2.000 V in 1 mV steps |
| Slope | Rising or falling |
| Protection | 15 VDC, 100 V for 1 μ s |

Internal Time Bins

| | |
|-----------------|---|
| Bin width | 5 ns, 40 ns, 80 ns, 160 ns, 320 ns, 640 ns, 1.28 μ s, 2.56 μ s,...10.486 ms (10 ns and 20 ns are not available) |
| Accuracy | 1 ns + 20 ppm of bin width |
| Jitter (rms) | 100 ps + 10 ppm of delay from SYNC/BUSY output (bins are synchronous with SYNC/BUSY output) |
| Indeterminacy | 2.5 ns with respect to trigger input |
| Insertion delay | 45 ns from trigger to first bin. Rising edge of SYNC/BUSY output occurs at beginning of first bin. Signal pulses arriving 25 ns after the trigger will be counted in the first bin. |

Externally Clocked Time Bins

| | |
|-------------------|---|
| EXT BIN CLK input | Rising edge triggers next time bin |
| Maximum frequency | 4 MHz (250 ns minimum bin width) |
| Minimum time high | 100 ns |
| Minimum time low | 100 ns |
| Insertion delay | Rising edge of SYNC/BUSY output occurs at first rising edge of EXT BIN CLK after trigger. The beginning of the first bin occurs at the same time. |

Counters/Accumulation

| | |
|----------------------|--|
| Bins per record | 1k to 16k in 1k increments (1024 to 32,704 including trigger offset) |
| Max. count rate | 100 MHz |
| Max. count | 32,767 per bin per trigger |
| Records/accumulation | 1 to 64k (or free run) |
| Max. accumulation | 32,767 per bin in Add mode, $\pm 16,383$ per bin in Toggle or External mode |
| Add/subtract | Records may be added or toggled (add/subtract on alternating triggers). External subtract input may also control the toggle. |

Trigger Rate

| | |
|----------------------|--|
| Minimum trigger time | $T_p = (\# \text{ of bins} \times \text{bin width}) + (\# \text{ of bins} \times 250 \text{ ns}) + 150 \mu\text{s}$ SYNC/BUSY output is high for T_p after each trigger. When SYNC/BUSY returns low, the next record may be triggered. Triggers received while SYNC/BUSY is high are ignored. |
|----------------------|--|

Outputs

| | |
|------------------|--|
| DISC | NIM level into 50 Ω . Low whenever signal input exceeds discriminator level with the correct slope. |
| SYNC/BUSY | TTL level. Rising edge is synchronous with first time bin of each record. Remains high until re-armed for next trigger. |
| BIN CLK | NIM level into 50 Ω . Each transition is a bin boundary. Active only while a record is being acquired. Timing skew relative to DISC out is <2 ns. |
| TOGGLE | TTL level. Indicates whether the next record will be added to or subtracted from the accumulation. (Internal toggle mode) |
| TEST | 50 MHz NIM output into 50 Ω |
| AUX1, AUX2 | (General purpose analog outputs) |
| Full scale | ± 10 V |
| Resolution | 5 mV |
| Output current | 10 mA |
| Output impedance | <1 Ω |
| Accuracy | 0.1 % + 10 mV |

Inputs

| | |
|---------------|---|
| SIGNAL | Analog 50 Ω input |
| TRIGGER | 10 k Ω input |
| BIN CLK INPUT | TTL input (Rising edge triggers next time bin) |

ACC. INHIBIT TTL input, sampled each trigger. If high, causes the current record to be ignored (not accumulated)

SUBTRACT TTL input, sampled each trigger. If high, causes the current record to be subtracted from the accumulation (in external toggle mode).

Ordering Information

| | | |
|--------|--|--------|
| SR430 | Multichannel scaler/averager with rack mount kit | \$7950 |
| SR445A | 350 MHz preamplifier | \$1200 |
| O430H | Carrying handle | \$100 |

General

Interfaces IEEE-488.2, RS-232, and Centronics printer interfaces are standard. All instrument functions can be controlled and read through the interfaces.

Data transfer 16k bins in 500 ms

Hardcopy Screen dumps to Epson compatible dot-matrix or HP LaserJet printers. Plots to HP-GL compatible plotters (serial or IEEE-488.2).

Disk 3.5" DOS compatible format
720k byte capacity
Storage of data and setups

Power 60 W, 100/120/220/240 VAC, 50/60 Hz

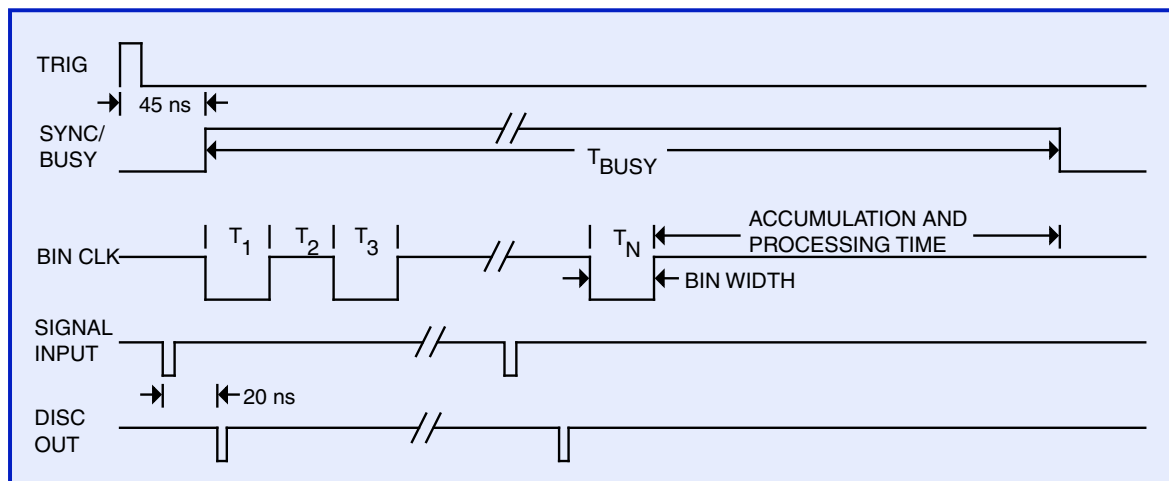
Dimensions 17" x 6.25" x 16.5" (WHD)

Weight 30 lbs.

Warranty One year parts and labor on defects in materials and workmanship



SR430 rear panel



SR430 timing diagram