



 Sumitomo Heavy Industries, Ltd.

MANUAL NUMBER: CD32ZZ-095C

DATE: JUNE 9 / 2003

TECHNICAL INSTRUCTION

RDK-205D

4K COLD HEAD

For Service Personnel Only

Sumitomo Heavy Industries, Ltd.
Cryogenics Division

**2-1-1 Yato-cho, Nishitokyo-City,
Tokyo 188-8585, Japan**

TEL: +81-424-68-4240

FAX: +81-424-68-4219

E-mail: cryo@shi.co.jp

URL: <http://www.shi.co.jp/cryopage>

TABLE OF CONTENTS

SECTION	ITEM	PAGE No.
	CROSS REFERANCE	1
1	GENERAL INFORMATION	2
1-1	SPECIFICATIONS	3
1-2	CONSTRUCTION	5
2	MAINTENANCE	7
	APPENDIX	
	DRAWINGS	
	REVISION CONTROL	

CROSS REFERENCE

Thoroughly read this manual and following manuals before using this equipment.

MANUAL NAME	MANUAL No.
OPERATION MANUAL SRDK-205 CRYOCOOLER	CD32ZZ-094
TECHNICAL INSTRUCTION CKW-21A COMPRESSOR UNIT	CD32ZZ-096

1 GENERAL INFORMATION

The RDK-205D Cold Head is a two-stage GM cycle cryo-refrigerator. The function of the Cold Head is to produce continuous closed-cycle refrigeration at temperatures, depending upon the heat load imposed, in the range of 35 K to 50 K for the first-stage cold station and in the range of 3.5 K to 4.2 K for the second-stage cold station.

The Cold Head has three major components: the drive unit; the cylinder; and the displacer-regenerator assembly, which is located inside the cylinder.

With newly developed rare earth regenerator material and with very unique structure, the model RDK-205D Cold Head has its 2nd stage refrigeration capacity of 0.5W at 4.2K.

Functionally, the high-pressure helium gas from the Compressor Unit will be supplied to the Cold Head through the helium gas supply connector. The supply gas will be passed into the displacer-regenerator assembly, come out through the displacer-regenerator assembly to the crankcase through the motor housing, and finally will be returned to the Compressor Unit through the helium gas return connector. The helium gas expansion in the displacer-regenerator assembly will be provided cooling condition for the first and second-stage cold stations.

1-1 SPECIFICATIONS

The specifications of the RDK-205D Cold Head are summarized in **Table 1.1**. **Figure 1.1** shows the outline view of Cold Head.

Table 1.1 RDK-205D COLD HEAD SPECIFICATION

Refrigeration Capacity First Stage Second Stage	3.0 / 4.0 W at 50 K (50 / 60 Hz) 0.5 W at 4.2 K (50 / 60 Hz)
Orientation	Any Capacity Loss: Max. 20%
Ambient Operating Temperature	5 to 28 deg.C (41 to 82.4 deg.F) 28 to 35 deg.C (82.4 to 95 deg.F) with 5% Capacity Loss
Helium Gas Pressure Static Operating (High Side)*	1.60 - 1.65 MPa at 20 deg.C (68 deg.F) (16.3 - 16.8 kgf/cm ² G, 232 - 239 psig) 2.00 - 2.30 MPa --- approx. (20.4 - 23.5 kgf/cm ² G, 290 - 333 psig)
Pressure Relief Valve Setting	1.86 - 1.96 MPa (19.0 - 20.0 kgf/cm ² G, 270 - 284 psig)
Gas Supply Connector Gas Return Connector	1/2-inch Coupling 1/2-inch Coupling
Dimension Width Length Height	180 mm (7.09') 294 mm (11.58') 512 mm (20.16')
Weight	14.0 kg (30.8 LBS) --- approx.

* The operating pressure varies according to the heat load of cold head and temperature around the equipment.

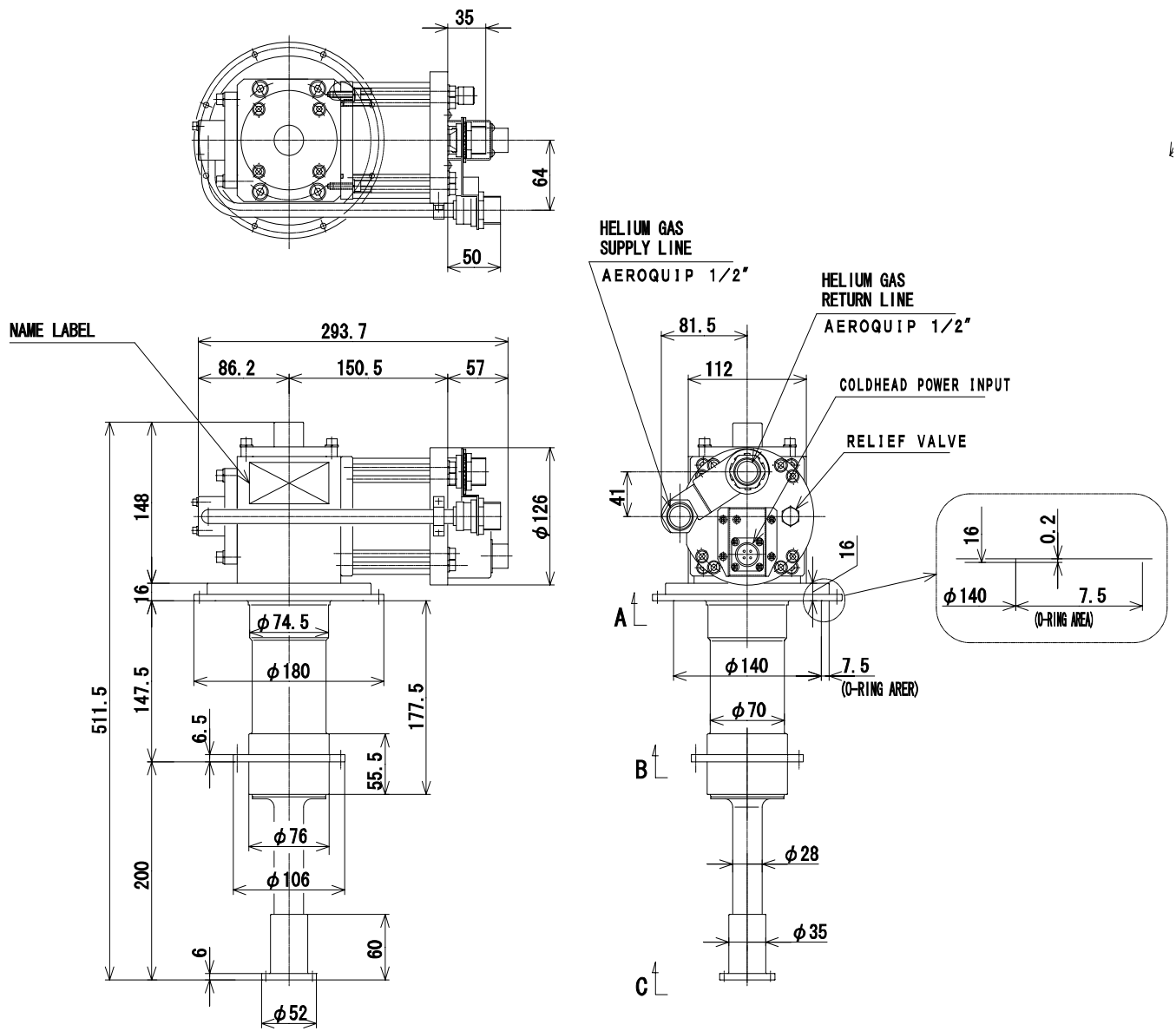


Figure 1.1 OUTLINE VIEW OF COLD HEAD MODEL RDK-205D

1-2 CONSTRUCTION

The cross section of the RDK-205D Cold Head is shown in **Figure 1.2**. It consists of a Cylinder, No. 1 Displacer, No. 2 Displacer, drive mechanism, and Cold Head Drive Motor. No. 1 Displacer is connected to the Scotch Yoke which can be driven by the Cold Head Drive Motor through the Crank with Bush so that the rotation of the Cold Head Drive Motor can be varied to reciprocating motion of Scotch Yoke and Displacers.

The Rotary Valve system is furnished to control the helium gas intake and exhaust timing. The Rotary Valve is also coupled to the Cold Head Drive Motor through Crank, so intake and exhaust operation is synchronized with the position of the Displacer.

The Displacer is a loose fit in the Cylinder except at the top and where it is equipped with a dynamic(sliding) seal to prevent leakage passed through the clearance between the Displacer and Cylinder.

The Displacers consist of regenerator material which cool the gas when passing downwards to the cold space and heats the gas when passing upwards from the cold space. Rear earth regenerator material is used in the 2nd stage Displacer to produce the cooling capacity at the temperature of 4.2K.

The pressure above and below the Displacer is the same except for small pressure drops across the regenerator when gas is flowing through it. Virtually no physical work is required to move the Displacer in the Cylinder. No work is done on the gas and the gas does no work on the Displacer. The pressure in the system is increased or decreased by operation of the inlet or outlet valves.

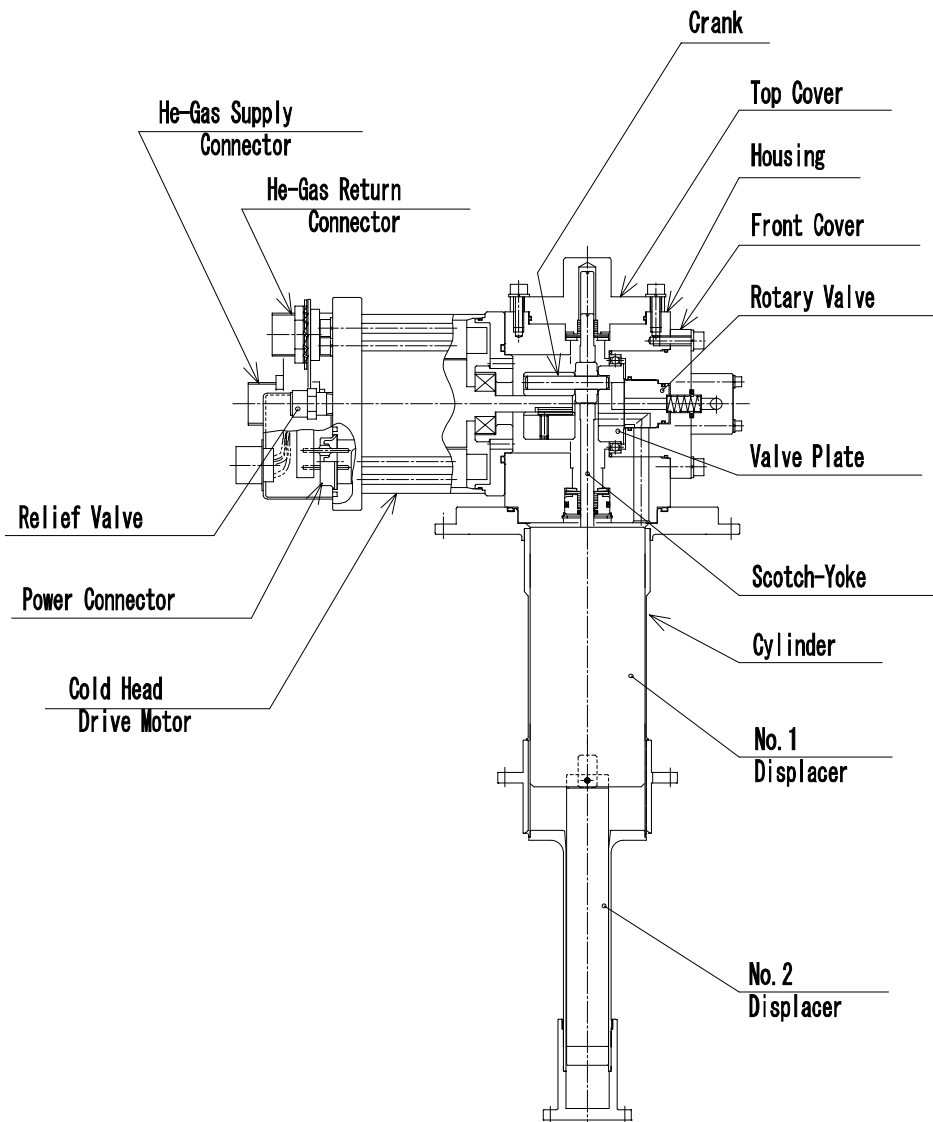


Figure 1.2 CROSS SECTION OF THE RDK-205D COLD HEAD

2 MAINTENANCE

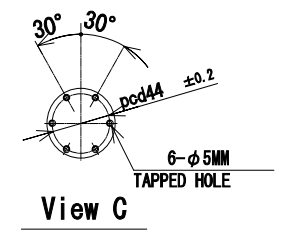
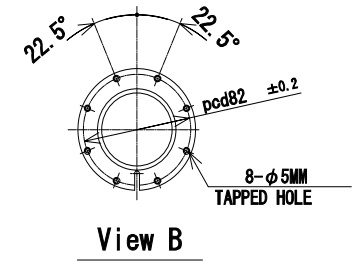
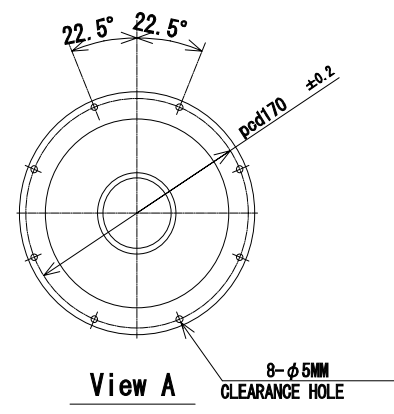
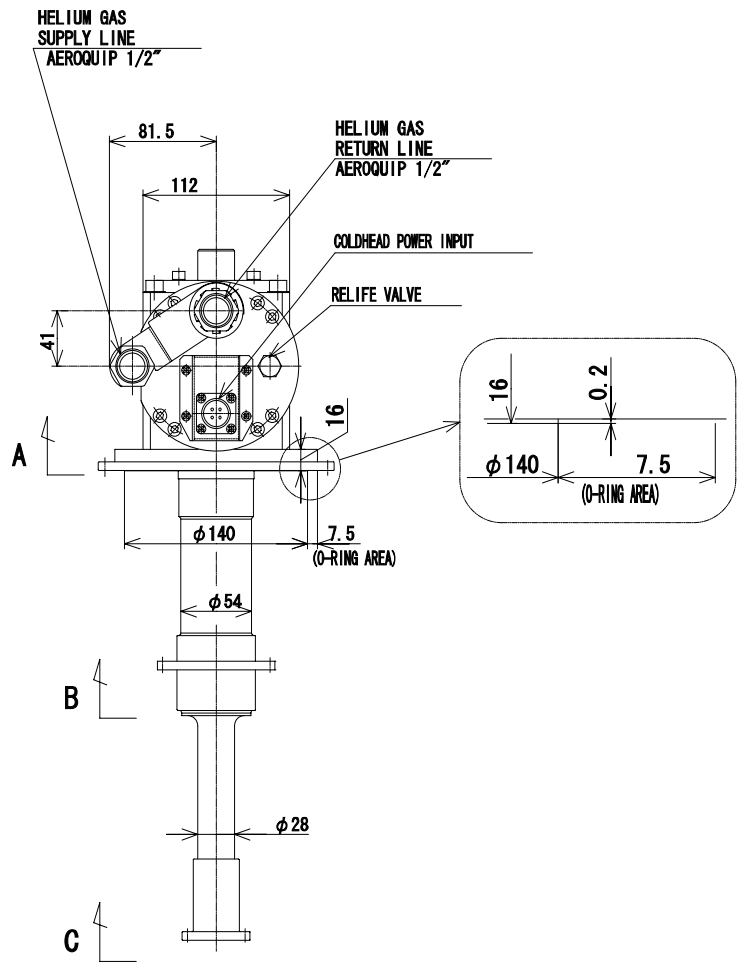
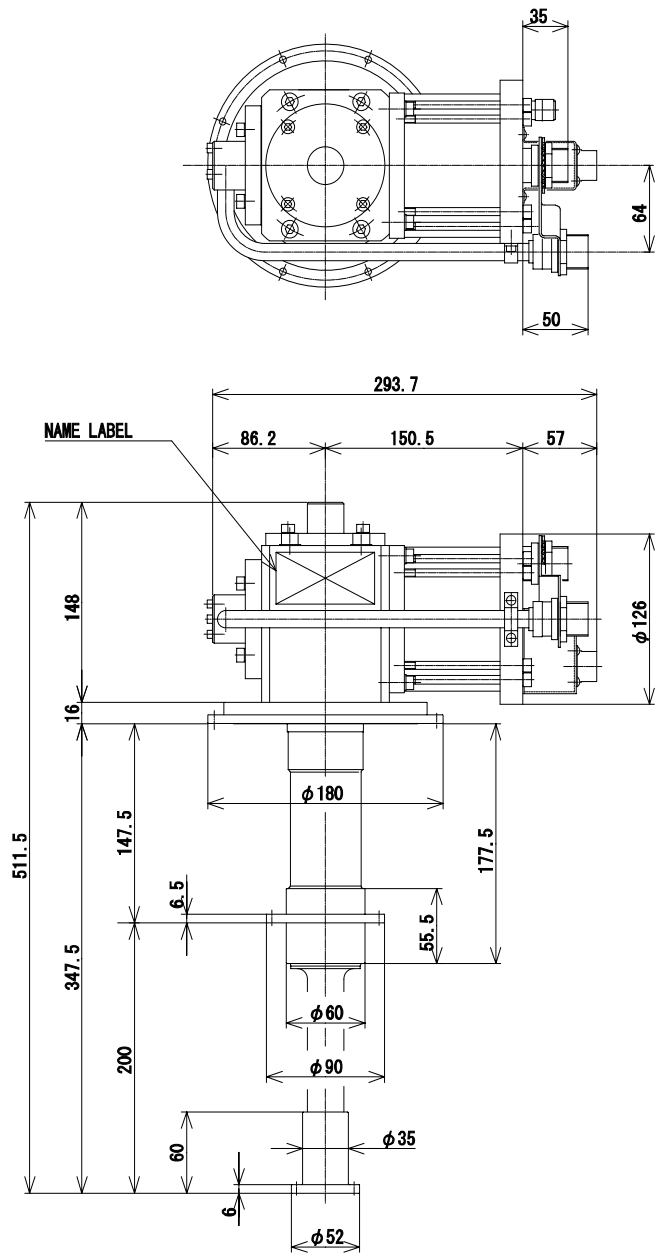
The RDK-205D Cold Head is to be required to replace the sliding parts inside every 10,000 Hrs.

The maintenance work is not a User's maintenance. Replace the Cold Head completely at site and return it to Sumitomo Heavy Industries, Ltd. for refurbishment.

APPENDIX

DRAWINGS

No.	PART NAME
1	RDK-205D COLD HEAD



RDK-205D COLD HEAD

REVISION CONTROL

Manual No.	Revision	Remarks	Date
CD32ZZ-095	-A	Publication of first edition.	Mar. 28 / 2001
	-B	Correct the Cold Head specification.	JAN. 10 / 2002
	-C	Change the division name.	JUNE 9 / 2003