

30X
21

496P

Tektronix®

496/496P
SPECTRUM ANALYZER
WITH OPTIONS
SERVICE VOLUME 2

INSTRUCTION MANUAL

21

WARNING

THE FOLLOWING SERVICING INSTRUCTIONS ARE FOR USE BY QUALIFIED PERSONNEL ONLY. TO AVOID PERSONAL INJURY, DO NOT PERFORM ANY SERVICING OTHER THAN THAT CONTAINED IN OPERATING INSTRUCTIONS UNLESS YOU ARE QUALIFIED TO DO SO.

PLEASE CHECK FOR CHANGE INFORMATION AT THE REAR OF THIS MANUAL.

496/496P SPECTRUM ANALYZER

WITH OPTIONS

SERVICE VOLUME 2

INSTRUCTION MANUAL

Tektronix, Inc.
P.O. Box 500
Beaverton, Oregon 97077

070-3482-00
Product Group 26

Serial Number _____

First Printing APRIL 1981
Revised MAY 1983

TABLE OF CONTENTS

SAFETY SUMMARY

Section 7 REPLACEABLE ELECTRICAL PARTS

Section 8 DIAGRAMS

Section 9 REPLACEABLE MECHANICAL PARTS

LIST OF ILLUSTRATIONS

The following circuit board figures are located near their associated diagrams in Section 8.

| | | | |
|------|--|------|---------------------------------------|
| 8-1 | A16A1 — 1st LO Interface | 8-24 | A68A4 — Post VR Amplifier |
| 8-2 | A24A1 — Phase Gate Input | 8-25 | A62 — Log and Video Amplifier |
| 8-3 | A51 — 1st LO Phaselock Control | 8-26 | A40 — Video Processor |
| 8-4 | A50A4 — Error Amplifier | 8-27 | A61 — Vertical Digital Storage |
| 8-5 | A50A1 — Synthesizer | 8-28 | A60 — Horizontal Digital Storage |
| 8-6 | A50A3 — Offset Mixer | 8-29 | A64 — Deflection Amplifier |
| 8-7 | A50A5 — Controlled Oscillator | 8-30 | A66 — Crt Readout |
| 8-8 | A50A2 — Strobe Driver | 8-31 | A70 — Z-Axis/RF Interface |
| 8-9 | A18A1 — 2nd Converter | 8-32 | A74 — High Voltage Supply |
| 8-10 | A22A1 — 16—20 MHz Phaselock | 8-33 | A74A1 — High Voltage Supply Interface |
| 8-11 | A22A2A1 — 2182 MHz Oscillator | 8-34 | A72 — Sweep |
| 8-12 | A22A2A2 — 2200 MHz Reference | 8-35 | A48 — Span Attenuator |
| 8-13 | A22A2A3 — 2200 MHz Mixer | 8-36 | A46 — Center Frequency Control |
| 8-14 | A32A1 — 110 MHz IF Amplifier | 8-37 | A44 — 1st LO Driver |
| 8-15 | A34A1 — 100 MHz Oscillator and 3rd Mixer | 8-38 | A58 — Processor |
| 8-16 | A69A1 — VR #1 Motherboard | 8-39 | A54 — Memory |
| 8-17 | A69A2 — VR Input | 8-40 | A38 — Front Panel |
| 8-18 | A69A3 — 1st Filter Select | 8-41 | A56 — GPIB |
| 8-19 | A69A4 — 10 dB Gain Steps | 8-42 | A57 — GPIB Interface |
| 8-20 | A68A1 — VR #2 Motherboard | 8-43 | A76 — Accessories Interface |
| 8-21 | A68A5 — 20 dB Gain Steps | 8-44 | A30A1 — Main Power Supply |
| 8-22 | A68A3 — Band Leveling | 8-45 | A30A2 — Fan Drive |
| 8-23 | A68A2 — 2nd Filter Select | | |

SERVICING SAFETY SUMMARY

FOR QUALIFIED SERVICE PERSONNEL ONLY

Do Not Service Alone

Do not perform internal service or adjustment of this product unless another person capable of rendering first aid and resuscitation is present.

Use Care When Servicing With Power On

Dangerous voltages exist at several points in this product. To avoid personal injury, do not touch exposed connections and components while power is on.

Disconnect power before removing protective panels, soldering, or replacing components.

Power Source

This product is intended to operate from a power source that will not apply more than 250 volts rms between the supply conductors or between either supply conductor and ground. A protective ground connection by way of the grounding conductor in the power cord is essential for safe operation.

TERMS

In This Manual

CAUTION statements identify conditions or practices that could result in damage to the equipment or other property.

WARNING statements identify conditions or practices that could result in personal injury or loss of life.

As Marked on Equipment

CAUTION indicates a personal injury hazard not immediately accessible as one reads the marking, or a hazard to property including the equipment itself.

DANGER indicates a personal injury hazard immediately accessible as one reads the marking.

SYMBOLS

In This Manual



This symbol indicates where applicable cautionary or other information is to be found.

As Marked on Equipment



DANGER—High voltage.



Protective ground (earth) terminal.



ATTENTION—refer to manual.

Power Source

This product is intended to operate from a power source that will not apply more than 250 volts rms between the supply conductors or between either supply conductor and ground. A protective ground connection by way of the grounding conductor in the power cord is essential for safe operation.

Grounding the Product

This product is grounded through the grounding conductor of the power cord. To avoid electrical shock, plug the power cord into a properly wired receptacle before connecting to the product input or output terminals. A protective ground connection by way of the grounding conductor in the power cord is essential for safe operation.

Danger Arising From Loss of Ground

Upon loss of the protective-ground connection, all accessible conductive parts (including knobs and controls that may appear to be insulating) can render an electric shock.

Use the Proper Power Cord

Use only the power cord and connector specified for your product.

Use only a power cord that is in good condition.

For detailed information on power cords and connectors, see the General Information and Specifications section in Volume 1 of the 496/496P Service manual.

Refer cord and connector changes to qualified service personnel.

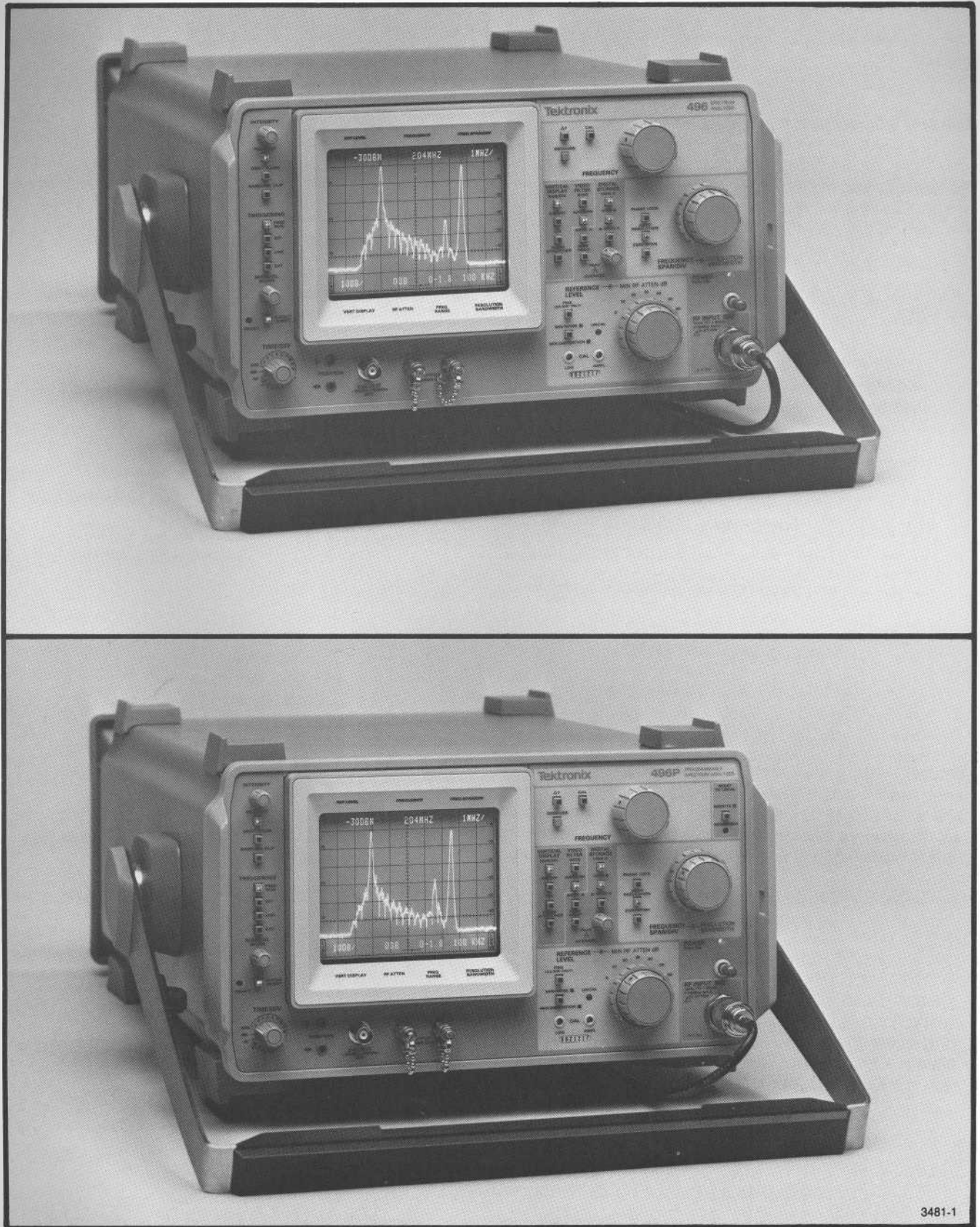
Use the Proper Fuse

To avoid fire hazard, use only the fuse specified in the parts list for your product, and which is identical in type, voltage rating, and current rating.

Refer fuse replacement to qualified service personnel.

Do Not Operate in Explosive Atmospheres

To avoid explosion, do not operate this product in an atmosphere of explosive gases unless it has been specifically certified for such operation.



3481-1

The 496/496P Spectrum Analyzer.

REPLACEABLE ELECTRICAL PARTS

PARTS ORDERING INFORMATION

Replacement parts are available from or through your local Tektronix, Inc. Field Office or representative.

Changes to Tektronix instruments are sometimes made to accommodate improved components as they become available, and to give you the benefit of the latest circuit improvements developed in our engineering department. It is therefore important, when ordering parts, to include the following information in your order: Part number, instrument type or number, serial number, and modification number if applicable.

If a part you have ordered has been replaced with a new or improved part, your local Tektronix, Inc. Field Office or representative will contact you concerning any change in part number.

Change information, if any, is located at the rear of this manual.

LIST OF ASSEMBLIES

A list of assemblies can be found at the beginning of the Electrical Parts List. The assemblies are listed in numerical order. When the complete component number of a part is known, this list will identify the assembly in which the part is located.

CROSS INDEX-MFR. CODE NUMBER TO MANUFACTURER

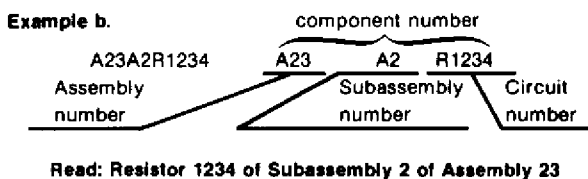
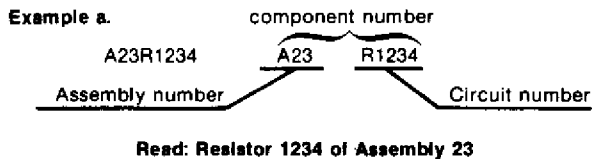
The Mfr. Code Number to Manufacturer index for the Electrical Parts List is located immediately after this page. The Cross Index provides codes, names and addresses of manufacturers of components listed in the Electrical Parts List.

ABBREVIATIONS

Abbreviations conform to American National Standard Y1.1.

COMPONENT NUMBER (column one of the Electrical Parts List)

A numbering method has been used to identify assemblies, subassemblies and parts. Examples of this numbering method and typical expansions are illustrated by the following:



Only the circuit number will appear on the diagrams and circuit board illustrations. Each diagram and circuit board illustration is clearly marked with the assembly number. Assembly numbers are also marked on the mechanical exploded views located in the Mechanical Parts List. The component number is obtained by adding the assembly number prefix to the circuit number.

The Electrical Parts List is divided and arranged by assemblies in numerical sequence (e.g., assembly A1 with its subassemblies and parts, precedes assembly A2 with its subassemblies and parts).

Chassis-mounted parts have no assembly number prefix and are located at the end of the Electrical Parts List.

TEKTRONIX PART NO. (column two of the Electrical Parts List)

Indicates part number to be used when ordering replacement part from Tektronix.

SERIAL/MODEL NO. (columns three and four of the Electrical Parts List)

Column three (3) indicates the serial number at which the part was first used. Column four (4) indicates the serial number at which the part was removed. No serial number entered indicates part is good for all serial numbers.

NAME & DESCRIPTION (column five of the Electrical Parts List)

In the Parts List, an Item Name is separated from the description by a colon (:). Because of space limitations, an Item Name may sometimes appear as incomplete. For further Item Name identification, the U.S. Federal Cataloging Handbook H6-1 can be utilized where possible.

MFR. CODE (column six of the Electrical Parts List)

Indicates the code number of the actual manufacturer of the part. (Code to name and address cross reference can be found immediately after this page.)

MFR. PART NUMBER (column seven of the Electrical Parts List)

Indicates actual manufacturers part number.

CROSS INDEX—MFR. CODE NUMBER TO MANUFACTURER

| Mfr. Code | Manufacturer | Address | City, State, Zip |
|-----------|--|--|---|
| 000AX | BUEHLER PRODUCTS INC. | PO BOX A,HIGHWAY 70 EAST | KINGSTON, NC 28501 |
| 000FJ | MARCOM SWITCHES INC. | 67 ALBANY STREET | CAZENOVIA, N.Y. 13035 |
| 000LI | TOPTRON CORP | | TOKYO, JAPAN |
| 00779 | AMP, INC. | P O BOX 3608 | HARRISBURG, PA 17105 |
| 00853 | SANGAMO ELECTRIC CO., S. CAROLINA DIV. | P O BOX 128 | PICKENS, SC 29671 |
| 01121 | ALLEN-BRADLEY COMPANY | 1201 2ND STREET SOUTH | MILWAUKEE, WI 53204 |
| 01281 | TRW ELECTRONIC COMPONENTS, SEMICONDUCTOR OPERATIONS | 14520 AVIATION BLVD. | LAWNDALE, CA 90260 |
| 01295 | TEXAS INSTRUMENTS, INC., SEMICONDUCTOR GROUP | P O BOX 5012, 13500 N CENTRAL EXPRESSWAY | DALLAS, TX 75222 |
| 02111 | SPECTROL ELECTRONICS CORPORATION | 17070 EAST GALE AVENUE | CITY OF INDUSTRY, CA 91745 |
| 02114 | FERROXCUBE CORPORATION | PO BOX 359, MARION ROAD | SAUGERTIES, NY 12477 |
| 02735 | RCA CORPORATION, SOLID STATE DIVISION | ROUTE 202 | SOMERVILLE, NY 08876 |
| 03508 | GENERAL ELECTRIC COMPANY, SEMI-CONDUCTOR PRODUCTS DEPARTMENT | ELECTRONICS PARK | SYRACUSE, NY 13201 |
| 04222 | AVX CERAMICS, DIVISION OF AVX CORP. | P O BOX 867, 19TH AVE. SOUTH | MYRTLE BEACH, SC 29577 |
| 04713 | MOTOROLA, INC., SEMICONDUCTOR PROD. DIV. | 5005 E MCDOWELL RD,PO BOX 20923 | PHOENIX, AZ 85036 |
| 05397 | UNION CARBIDE CORPORATION, MATERIALS SYSTEMS DIVISION | 11901 MADISON AVENUE | CLEVELAND, OH 44101 |
| 06665 | PRECISION MONOLITHICS INC. | 1500 SPACE PARK DR. | SANTA CLARA, CA 95050 |
| 07088 | KELVIN ELECTRIC COMPANY | 5907 NOBLE AVENUE | VAN NUYS, CA 91411 |
| 07263 | FAIRCHILD SEMICONDUCTOR, A DIV. OF FAIRCHILD CAMERA AND INSTRUMENT CORP. | 464 ELLIS STREET | MOUNTAIN VIEW, CA 94042 |
| 08806 | GENERAL ELECTRIC CO., MINIATURE LAMP PRODUCTS DEPARTMENT | NELA PARK | CLEVELAND, OH 44112 |
| 12954 | SIEMENS CORPORATION, COMPONENTS GROUP | 8700 E THOMAS RD. P O BOX 1390 | SCOTTSDALE, AZ 85252 |
| 12969 | UNITRODE CORPORATION | 580 PLEASANT STREET | WATERTOWN, MA 02172 |
| 14433 | ITT SEMICONDUCTORS | 3301 ELECTRONICS WAY P O BOX 3049 | WEST PALM BEACH, FL 33402 |
| 14552 | MICRO SEMICONDUCTOR CORP. | 2830 E FAIRVIEW ST. | SANTA ANA, CA 92704 |
| 14752 | ELECTRO CUBE INC. | 1710 S. DEL MAR AVE. | SAN GABRIEL, CA 91776 |
| 14936 | GENERAL INSTRUMENT CORP., SEMICONDUCTOR PRODUCTS GROUP | P.O. BOX 600,600 W. JOHN ST. | HICKSVILLE, NY 11802 |
| 15238 | ITT SEMICONDUCTORS, A DIVISION OF INTER NATIONAL TELEPHONE AND TELEGRAPH CORP. | P.O. BOX 168, 500 BROADWAY | LAWRENCE, MA 01841 |
| 15454 | RODAN INDUSTRIES, INC. | 2905 BLUE STAR ST. | ANAHEIM, CA 92806 |
| 15801 | FENWAL ELECTRONICS, DIV. OF KIDDE WALTER AND CO., INC. | 63 FOUNTAIN ST. | FRAMINGHAM, MA 01701 |
| 16179 | OMNI SPECTRA, INC. | 24600 HALLWOOD CT. | FARMINGTON, MI 48024 |
| 17540 | ALPHA INDUSTRIES, INC. | 20 SYLVAN RD. | WOBURN, MA 01801 |
| 17856 | SILICONIX, INC. | 2201 LAURELWOOD DRIVE | SANTA CLARA, CA 95054 |
| 18203 | ENGELMANN MICROWAVE CO. | SKYLINE DR. | MONTVILLE, NJ 07045 |
| 18324 | SIGNETICS CORP. | 811 E. ARQUES | SUNNYVALE, CA 94086 |
| 18612 | VISHAY RESISTOR PRODUCTS DIV. VISHAY INTERTECHNOLOGY INC. | 68 LINCOLN HWY 900 FOLLIN LANE, SE | MALVERN, PA 19355 VIENNA, VA 22180 |
| 19396 | ILLINOIS TOOL WORKS, INC. PAKTRON DIV. | 11620 SORRENTO VALLEY RD | |
| 20932 | EMCON DIV OF ILLINOIS TOOL WORKS INC. | P O BOX 81542 10504 WHEATLEY ST. | SAN DIEGO, CA 92121 KINGSTON, MD 20795 |
| 21377 | CIR-O-TEK INC. | | |
| 22229 | SOLITRON DEVICES, INC., SEMICONDUCTOR GROUP | 8808 BALBOA AVENUE | SAN DIEGO OPERS, CA 92123 |
| 22526 | BERG ELECTRONICS, INC. | YOUK EXPRESSWAY | NEW CUMBERLAND, PA 17070 |
| 24211 | GRIGSBY-BARTON INC. | 3800 INDUSTRIAL DRIVE | ROLLING MEADOWS, IL 60008 |
| 24355 | ANALOG DEVICES INC. | RT 1 INDUSTRIAL PK,P O BOX 280 | NORWOOD, MA 02062 |
| 24546 | CORNING GLASS WORKS, ELECTRONIC COMPONENTS DIVISION | 550 HIGH STREET | BRADFORD, PA 16701 |
| 25403 | AMPEREX ELECTRONIC CORP., SEMICONDUCTOR AND MICROCIRCUITS DIV. | PROVIDENCE PIKE | SLATERSVILLE, RI 02876 |
| 26805 | OMNI SPECTRA INC., MICROWAVE CONNECTOR DIV. | 140 FOURTH AVE 1881 SOUTHLAND BLVD. | WALTHAM, MA 02154 DAYTON, OHIO 45439 |
| 27012 | MICRO DEVICES, CORPORATION | 2900 SEMICONDUCTOR DR. | SANTA CLARA, CA 95051 |
| 27014 | NATIONAL SEMICONDUCTOR CORP. | 5224 KATRINE AVE. | DOWNERS GROVE, IL 60515 |
| 27264 | MOLEX PRODUCTS CO. | 10900 N. TANTAU AVE. | CUPERTINO, CA 95014 |
| 32293 | INTERSIL, INC. | 1200 COLUMBIA AVE. | RIVERSIDE, CA 92507 |
| 32997 | BOURNS, INC., TRIMPOT PRODUCTS DIV. | 152 E MAIN STREET | FAIRVIEW, PA 16415 |
| 33095 | SPECTRUM CONTROL, INC. | 2303 W 8TH STREET | LOVELAND, CO 80537 |
| 33096 | COLORADO CRYSTAL CORPORATION | 901 THOMPSON PL. | SUNNYVALE, CA 94086 |
| 34335 | ADVANCED MICRO DEVICES | | |

CROSS INDEX—MFR. CODE NUMBER TO MANUFACTURER

| Mfr. Code | Manufacturer | Address | City, State, Zip |
|-----------|---|--------------------------------|---------------------------|
| 34371 | HARRIS SEMICONDUCTOR, DIV. OF HARRIS CORPORATION | P. O. BOX 883 | MELBOURNE, FL 32901 |
| 50434 | HEWLETT-PACKARD COMPANY | 640 PAGE MILL ROAD | PALO ALTO, CA 94304 |
| 50438 | HEWLETT-PACKARD CO., DATA SYSTEMS DIV. | 11000 WOLFE RD. | CUPERTINO, CA 95074 |
| 50558 | ELECTRONIC CONCEPTS, INC. | 526 INDUSTRIAL WAY WEST | EATONTOWN, NJ 07724 |
| 51642 | CENTRE ENGINEERING INC. | 2820 E COLLEGE AVENUE | STATE COLLEGE, PA 16801 |
| 51984 | NEC AMERICA INC. RADIO AND TRANSMISSION DIV. | 2990 TELESTAR CT. SUITE 212 | FALLS CHURCH, VA 22042 |
| 53184 | XCITON CORPORATION | 5 HEMLOCK STREET | LATHAM, NY 12110 |
| 54473 | MATSUSHITA ELECTRIC, CORP. OF AMERICA | 1 PANASONIC WAY | SECAUCUS, NJ 07094 |
| 55680 | NICHICON/AMERICA/CORP. | 6435 N PROESEL AVENUE | CHICAGO, IL 60645 |
| 56289 | SPRAGUE ELECTRIC CO. | 87 MARSHALL ST. | NORTH ADAMS, MA 01247 |
| 57668 | R-OHM CORP. | 16931 MILLIKEN AVE. | IRVINE, CA 92713 |
| 59660 | TUSONIX INC. | 2155 N FORBES BLVD | TUCSON, AZ 85705 |
| 59821 | CENTRALAB INC | 7158 MERCHANT AVE | EL PASO, TX 79915 |
| 71034 | SUB NORTH AMERICAN PHILIPS CORP | | |
| 71034 | BLILEY ELECTRIC CO. | 2545 W. GRANDVIEW BLVD. | ERIE, PA 16512 |
| 71400 | BUSSMAN MFG., DIVISION OF MCGRAW-EDISON CO. | 2536 W. UNIVERSITY ST. | ST. LOUIS, MO 63107 |
| 72982 | ERIE TECHNOLOGICAL PRODUCTS, INC. | 644 W. 12TH ST. | ERIE, PA 16512 |
| 73138 | BECKMAN INSTRUMENTS, INC., HELIPOT DIV. | 2500 HARBOR BLVD. | FULLERTON, CA 92634 |
| 73899 | JFD ELECTRONICS COMPONENTS CORP. | PINETREE ROAD | OXFORD, NC 27565 |
| 74276 | SIGNALITE DIV., GENERAL INSTRUMENT CORP. | 1933 HECK AVE. | NEPTUNE, NJ 07753 |
| 74970 | JOHNSON, E. F., CO. | 299 10TH AVE. S. W. | WASECA, MN 56093 |
| 75042 | TRW ELECTRONIC COMPONENTS, IRC FIXED RESISTORS, PHILADELPHIA DIVISION | 401 N. BROAD ST. | PHILADELPHIA, PA 19108 |
| 75378 | CTS KNIGHTS, INC. | 400 REIMANN AVE. | SANDWICH, IL 60548 |
| 75915 | LITTELFUSE, INC. | 800 E. NORTHWEST HWY | DES PLAINES, IL 60016 |
| 76493 | BELL INDUSTRIES, INC., MILLER, J. W., DIV. | 19070 REYES AVE., P O BOX 5825 | COMPTON, CA 90224 |
| 78488 | STACKPOLE CARBON CO. | | ST. MARYS, PA 15857 |
| 80009 | TEKTRONIX, INC. | P O BOX 500 | BEAVERTON, OR 97077 |
| 80031 | ELECTRA-MIDLAND CORP., MEPCO DIV. | 22 COLUMBIA ROAD | MORRISTOWN, NJ 07960 |
| 83891 | PIEZO MFG. CORP. | P. O. BOX 5644 | FORT LAUDERDALE, FL 33309 |
| 84411 | TRW ELECTRONIC COMPONENTS, TRW CAPACITORS | 112 W. FIRST ST. | OGALLALA, NE 69153 |
| 87034 | ILLUMINATED PRODUCTS INC., A SUB OF OAK INDUSTRIES, INC. | 2620 SUSAN ST, PO BOX 11930 | SANTA ANA, CA 92711 |
| 90201 | MALLORY CAPACITOR CO., DIV. OF P. R. MALLORY AND CO., INC. | 3029 E. WASHINGTON STREET | |
| 91293 | JOHANSON MFG. COMPANY | P. O. BOX 372 | INDIANAPOLIS, IN 46206 |
| 91637 | DALE ELECTRONICS, INC. | P O BOX 329 | BOONTON, NJ 07005 |
| 95348 | GORDOS CORPORATION | P. O. BOX 609 | COLUMBUS, NE 68601 |
| CODE 96 | 733 NOT FOUND | 250 GLENWOOD AVENUE | BLOOMFIELD, NJ 07003 |
| 95348 | GORDOS CORPORATION | 250 GLENWOOD AVENUE | BLOOMFIELD, NJ 07003 |
| 98291 | SEAELECTRO CORP. | 225 HOYT | MAMARONECK, NY 10544 |
| CODE CA | P., NOT FOUND | | |
| 98291 | SEAELECTRO CORP. | 225 HOYT | MAMARONECK, NY 10544 |

Replaceable Electrical Parts—496/496P Service Vol.2

| Component No. | Tektronix Part No. | Serial/Model No. Eff | Dscont | Name & Description | Mfr Code | Mfr Part Number |
|---------------|--------------------|----------------------|---------|---|----------|-----------------|
| AT10 | 119-1007-02 | B010100 | B010289 | ATTENUATOR,VAR:0-60DB IN 10DB STEPS (492 ONLY) | 80009 | 119-1007-02 |
| AT10 | 119-1007-04 | B010290 | B010409 | ATTENUATOR,VAR:0-60DB IN 10DB STEPS (492 ONLY) | 80009 | 119-1007-04 |
| AT10 | 119-1007-00 | B010410 | | ATTENUATOR,VAR:0-60DB IN 10DB STEPS (492 ONLY) | 80009 | 119-1007-00 |
| AT10 | 119-1007-02 | B010100 | B010289 | ATTENUATOR,VAR:0-60DB IN 10DB STEPS (149P ONLY) | 80009 | 119-1007-02 |
| AT10 | 119-1007-04 | B010290 | B010439 | ATTENUATOR,VAR:0-60DB IN 10DB STEPS (149P ONLY) | 80009 | 119-1007-04 |
| AT10 | 119-1007-06 | B010440 | | ATTENUATOR,VAR:0.60DB IN 10DB STEPS (149P ONLY) | 80009 | 119-1007-04 |
| AT12 | 015-1053-00 | | | ATTENUATOR,FXD:3DB | 26805 | 2082-4182-03 |
| AT13 | 015-1024-00 | | | ATTENUATOR,FXD:0-2 GHZ,SMA | 18203 | A7505 |
| AT133 | 119-1493-00 | | | VAR LOAD ASSY: (496 ONLY) | 80009 | 119-1493-00 |
| A12 | 119-1353-00 | | | FIRST MIXER AS: | 80009 | 119-1353-00 |
| A12A1 | 155-0232-01 | | | MICROCIRCUIT,LI:DUAL DIODE | 80009 | 155-0232-00 |
| A13 | 119-1019-00 | | | POWER DIV ASSY: | 80009 | 119-1019-00 |
| A16 | 119-1360-01 | | | OSCILLATOR:2.0 TO 6.1GHZ,W/CAN | 80009 | 119-1360-01 |
| A16A1 | 670-5540-00 | | | CKT BOARD ASSY:1ST L.O. INTERFACE | 80009 | 670-5540-00 |
| A18 | 119-1096-00 | B010100 | B010109 | SEC CONV ASSY:2072MHZ (492 ONLY) | 80009 | 119-1096-00 |
| A18 | 119-1096-01 | B010110 | BB01045 | SEC CONV ASSY:2072MHZ (492 ONLY) | 80009 | 119-1096-01 |
| A18 | 119-1096-02 | B010459 | | SEC CONV ASSY: (492 ONLY) | 80009 | 119-1096-01 |
| A18 | 119-1096-00 | B010100 | B010109 | SEC CONV ASSY:2072MHZ (492P ONLY) | 80009 | 119-1096-00 |
| A18 | 119-1096-01 | B010110 | B010495 | SEC CONV ASSY:2072MHZ (492P ONLY) | 80009 | 119-1096-01 |
| A18 | 119-1096-02 | B010104 | 96 | SEC CONV ASSY: (492P ONLY) | 80009 | 119-1096-02 |
| A18A1 | | | | (REPLACEABLE AS A UNIT WITH A18) | | |
| A22 | 650-0266-00 | B010100 | B010316 | PH LOCK 2ND LO: | 80009 | 650-0266-00 |
| A22 | 650-0266-01 | B010317 | | PH LOCK 2ND LO: | 80009 | 650-0266-01 |
| A22A1 | 670-7077-00 | B010100 | B010355 | CKT BOARD ASSY:16-20MHZ PHASELOCK | 80009 | 670-7077-00 |
| A22A1 | 670-7077-01 | B010356 | | CKT BOARD ASSY:16-20MHZ PHASELOCK | 80009 | 670-7077-01 |
| A22A2 | 119-1412-00 | B010100 | B010316 | PH LOCK LO CONT: | 80009 | 119-1412-00 |
| A22A2 | 119-1412-01 | B010317 | | PH LOCK LO CONT: | 80009 | 119-1412-01 |
| A22A2A1 | 670-7075-00 | B010100 | B010316 | CKT BOARD ASSY:2182MHZ MICROSTRIP OSC | 80009 | 670-7075-00 |
| A22A2A1 | 670-7075-01 | B010317 | | CKT BOARD ASSY:2182MHZ MICROSTRIP OSC | 80009 | 670-7075-01 |
| A22A2A2 | 670-7076-00 | | | CKT BOARD ASSY:220MHZ REFERENCE | 80009 | 670-7076-00 |
| A22A2A3 | 670-7079-00 | | | CKT BOARD ASSY:220MHZ REFERENCE MIXER | 80009 | 670-7079-00 |
| A24 | 119-1010-00 | | | HYBRID CKT ASSY:PHASE GATE DETECTOR | 80009 | 119-1010-00 |
| A24A1 | 670-5957-00 | | | CKT BOARD ASSY:PHASE GATE INPUT | 80009 | 670-5957-00 |
| A28 | 670-5561-01 | | | CKT BOARD ASSY:MAIN MOTHER | 80009 | 670-5561-01 |
| A30 | 621-0486-00 | | | POWER SPLY ASSY: | 80009 | 621-0486-00 |
| A30 | 621-0484-00 | | | (496 ONLY) POWER SPLY ASSY: | 80009 | 621-0484-00 |
| A30 | 621-0487-00 | | | (496 & OPTION 30,31,32 ONLY) POWER SPLY ASSY: | 80009 | 621-0487-00 |
| A30 | 621-0489-00 | | | (496P ONLY) MODULAR ASSY:HIGH VOLTAGE | 80009 | 621-0489-00 |
| A30 | | | | (496P OPTION 30,31,32 ONLY) | | |

| Component No. | Tektronix Part No. | Serial/Model No. Eff | Dscont | Name & Description | Mfr Code | Mfr Part Number |
|---------------|--------------------|----------------------|---------|--------------------------------------|----------|-----------------|
| A30A1 | 670-5564-01 | B010100 | B010129 | CKT BOARD ASSY:MAIN POWER SUPPLY | 80009 | 670-5564-01 |
| A30A1 | 670-5564-02 | B010296 | | CKT BOARD ASSY:MAIN POWER SUPPLY | 80009 | 670-5564-02 |
| A30A2 | 670-5933-00 | B010100 | B010128 | CKT BOARD ASSY:FAN DRIVE | 80009 | 670-5933-00 |
| A30A2 | 670-7226-00 | B010129 | | CKT BOARD ASSY:FAN DRIVE | 80009 | 670-7226-00 |
| A30A57 | 670-5556-00 | | | CKT BOARD ASSY: GPIB INTERFACE | 80009 | 670-5556-00 |
| A30A57 | ----- | | | (496P ONLY) | | |
| A30A76 | 670-5558-01 | | | CKT BOARD ASSY:ACCESSORIES INTERFACE | 80009 | 670-5558-01 |
| A32 | 119-1015-00 | | | FILTER,AMPL:110MHZ | 80009 | 119-1015-00 |
| A32A1 | 670-5525-00 | B010100 | B010109 | CKT BOARD ASSY:110 I.F. AMPLIFIER | 80009 | 670-5525-00 |
| A32A1 | 670-5525-01 | B010110 | | CKT BOARD ASSY:110 I.F. AMPLIFIER | 80009 | 670-5525-01 |
| A34 | 119-1023-01 | | | OSC/MIXER ASSY:100MHZ | 80009 | 119-1023-01 |
| A34A1 | 670-5526-02 | | | CKT BOARD ASSY:110 MIXER/OSC | 80009 | 670-5526-02 |
| A34A2 | 670-6204-00 | | | CKT BOARD ASSY:100MHZ L/O REGULATOR | 80009 | 670-6204-00 |
| A38 | 670-7141-00 | | | CKT BOARD ASSY:FRONT PANEL | 80009 | 670-7141-00 |
| A40 | 670-6956-00 | | | CKT BOARD ASSY:VIDEO PROCESSOR | 80009 | 670-6956-00 |
| A44 | 670-6955-00 | B010100 | B010264 | CKT BOARD ASSY:1ST LO DRIVER | 80009 | 670-6955-00 |
| A44 | 670-6955-01 | B010265 | B010449 | CKT BOARD ASSY:1ST LO DRIVER | 80009 | 670-6955-01 |
| A44 | 670-6955-01 | B010450 | | CKT BOARD ASSY:1ST LO DRIVER | 80009 | 670-6955-01 |
| A46 | 670-5547-01 | B010100 | B010399 | CKT BOARD ASSY:CENTER FREQ CONTROL | 80009 | 670-5547-01 |
| A46 | 670-5547-02 | B010400 | B010469 | CKT BOARD ASSY:CENTER FREQ CONTROL | 80009 | 670-5547-02 |
| A46 | 670-5547-03 | B010470 | | CKT BOARD ASSY:CENTER FREQ CONTROL | 80009 | 670-5547-03 |
| A46A1 | 670-7939-00 | B010400 | B010413 | CKT BOARD ASSY:INTERFACE | 80009 | 670-7939-00 |
| A46A1 | 670-7939-01 | B010414 | | CKT BOARD ASSY:INTERFACE | 80009 | 670-7939-01 |
| A46A3 | 670-7939-00 | B010400 | B010413 | CKT BOARD ASSY:INTERFACE | 80009 | 670-7939-00 |
| A46A3 | 670-7939-01 | B010414 | | CKT BOARD ASSY:INTERFACE | 80009 | 670-7939-01 |
| A48 | 670-5550-01 | | | CKT BOARD ASSY:SPAN ATTENUATOR | 80009 | 670-5550-01 |
| A50 | 119-1069-01 | B010100 | B010109 | PHASE LOCK ASSY:SYNTHESIZER | 80009 | 119-1069-01 |
| A50 | 119-1069-02 | B010110 | | PHASE LOCK ASSY:SYNTHESIZER | 80009 | 119-1069-02 |
| A50A1 | 670-5519-00 | | | CKT BOARD ASSY:SYNTHESIZER | 80009 | 670-5519-00 |
| A50A2 | 670-5520-02 | | | CKT BOARD ASSY:STROBE DRIVER | 80009 | 670-5520-02 |
| A50A3 | 670-5522-01 | | | CKT BOARD ASSY:OFFSET MIXER | 80009 | 670-5522-01 |
| A50A4 | 670-5521-05 | | | CKT BOARD ASSY:ERROR AMPLIFIER | 80009 | 670-5521-05 |
| A50A5 | 670-5524-00 | B010100 | B010109 | CKT BOARD ASSY:CONTROLLED OSC | 80009 | 670-5524-00 |
| A50A5 | 670-5524-01 | B010110 | | CKT BOARD ASSY:CONTROLLED OSC | 80009 | 670-5524-01 |
| A51 | 670-5523-01 | | | CKT BOARD ASSY:PHASE LOCK CONTROL | 80009 | 670-5523-01 |
| A54 | 670-6957-00 | B010100 | B010519 | CKT BOARD ASSY:MEMORY | 80009 | 670-6957-00 |
| A54 | 670-6957091 | B010520 | | CKT BOARD ASSY:MEMORY | 80009 | 670-6957-01 |
| A54 | 670-6958-00 | B010100 | B010519 | CKT BOARD ASSY:MEMORY | 80009 | 670-6958-00 |
| A54 | ----- | | | (496P ONLY) | | |
| A54 | 670-6957-01 | B010520 | | CKT BOARD ASSY:MEMORY | 80009 | 670-6958-01 |
| A54 | ----- | | | (496P ONLY) | | |
| A56 | 670-5543-01 | | | CKT BOARD ASSY: GPIB | 80009 | 670-5543-01 |
| A56 | ----- | | | (496P ONLY) | | |
| A56A1 | 670-7060-00 | | | CKT BOARD ASSY: GPIB EXTENDER | 80009 | 670-7060-00 |
| A56A1 | ----- | | | (496P ONLY, NO ELECTRICAL PARTS) | | |
| A58 | 670-5542-00 | B010100 | B010109 | CKT BOARD ASSY:PROCESSOR | 80009 | 670-5542-00 |
| A58 | 670-5542-01 | B010110 | | CKT BOARD ASSY:PROCESSOR | 80009 | 670-5542-01 |
| A60 | 670-5555-00 | B010100 | B010264 | CKT BOARD ASSY:DIGITAL STORAGE INTFC | 80009 | 670-5555-00 |
| A60 | 670-5555-01 | B010265 | | CKT BOARD ASSY:DIGITAL STORAGE INTFC | 80009 | 670-5555-01 |
| A61 | 670-5554-00 | B010100 | B010960 | CKT BOARD ASSY:DIGITAL STORAGE | 80009 | 670-5554-00 |
| A61 | 670-5554-02 | B010361 | | CKT BOARD ASSY:DIGITAL STORAGE | 80009 | 670-5554-02 |
| A62 | 670-5548-01 | | | CKT BOARD ASSY:LOG AMP | 80009 | 670-5548-01 |
| A64 | 670-5553-00 | | | CKT BOARD ASSY:DEFLECTION AMPS | 80009 | 670-5553-00 |
| A66 | 670-5544-00 | | | CKT BOARD ASSY:CRT READOUT | 80009 | 670-5544-00 |
| A68 | 644-0141-02 | | | VAR RESOLN KIT:#2 | 80009 | 644-0141-02 |

Replaceable Electrical Parts—496/496P Service Vol.2

| Component No. | Tektronix Part No. | Serial/Model No. Eff | Dscont | Name & Description | Mfr Code | Mfr Part Number |
|---------------|--------------------|----------------------|---------|---------------------------------------|----------|-----------------|
| A68A1 | 670-5536-02 | | | CKT BOARD ASSY:#2 VR MOTHER | 80009 | 670-5536-02 |
| A68A2 | 670-5534-04 | B010100 | B010364 | CKT BOARD ASSY:2ND FILTER SELECT | 80009 | 670-5534-04 |
| A68A2 | ----- | | | (XTALS NOT INCLUDED WITH THIS CKT BD) | | |
| A68A2 | 670-5534-05 | B010365 | B010469 | CKT BOARD ASSY:2ND FILTER SELECT | 80009 | 670-5534-05 |
| A68A2 | ----- | | | (XTALS NOT INCLUDED WITH THIS CKT BD) | | |
| A68A2 | 670-5534-06 | B010470 | | CKT BOARD ASSY:: 2ND FILTER SELECT | 80009 | 670-5534-06 |
| A68A2 | ----- | | | (XTALS NOT INCLUDED WITH THIS CKT BD) | | |
| A68A3 | 670-5533-02 | | | CKT BOARD ASSY:BAND LEVELING | 80009 | 670-5533-02 |
| A68A4 | 670-5535-01 | | | CKT BOARD ASSY:POST V.R. AMPLIFIER | 80009 | 670-5535-01 |
| A69 | 644-0140-02 | | | VAR RESOLN KIT: | 80009 | 644-0140-02 |
| A69 | ----- | | | (NO ELECTRICAL PARTS) | | |
| A69A1 | 670-5528-02 | | | CKT BOARD ASSY:#1 VR MOTHER | 80009 | 670-5528-02 |
| A69A2 | 670-5529-01 | | | CKT BOARD ASSY:V.R. INPUT | 80009 | 670-5529-01 |
| A69A3 | 670-5530-03 | B010100 | B010469 | CKT BOARD ASSY:1ST FILTER SELECT | 80009 | 670-5530-03 |
| A69A3 | ----- | | | (XTALS NOT INCLUDED WITH THIS CKT BD) | | |
| A69A3 | 670-5530-04 | B010470 | | CKT BOARD ASSY:: 1ST FILTER SELECT | 80009 | 670-5534-04 |
| A69A3 | ----- | | | (XTALS NOT INCLUDED WITH THIS CKT BD) | | |
| A69A4 | 670-5531-03 | B010100 | B010365 | CKT BOARD ASSY:10DB GAIN STEPS | 80009 | 670-5531-03 |
| A69A4 | 670-5531-04 | B010366 | | CKT BOARD ASSY:10DB GAIN STEPS | 80009 | 670-5531-04 |
| A69A5 | 670-5532-03 | | | CKT BOARD ASSY:20DB GAIN STEPS | 80009 | 670-5532-03 |
| A70 | 670-5557-01 | B010100 | B010280 | CKT BOARD ASSY:Z AXIS | 80009 | 670-5557-01 |
| A70 | 670-5557-02 | B010281 | | CKT BOARD ASSY:Z AXIS | 80009 | 670-5557-02 |
| A72 | 670-5549-01 | B010100 | B010451 | CKT BOARD ASSY:SWEEP | 80009 | 670-5549-01 |
| A72 | 670-5549-02 | B010452 | | CKT BOARD ASSY:: SWEEP | 80009 | 670-5549-02 |
| A74 | 670-5559-00 | B010100 | B010217 | CKT BOARD ASSY:HIG HIGH VOLTAGE | 80009 | 670-5559-00 |
| A74 | 670-5559-00 | B010100 | B010217 | CKT BOARD ASSY:HIG HIGH VOLTAGE | 80009 | 670-5559-00 |
| A74 | 670-5559-01 | B010218 | B010365 | CKT BOARD ASSY:HIG HIGH VOLTAGE | 80009 | 670-5559-01 |
| A74 | 670-5559-03 | B010366 | | CKT BOARD ASSY:HIG HIGH VOLTAGE | 80009 | 670-5559-03 |
| A74A1 | 119-1159-01 | | | CKT BOARD ASSY:HIG HIGH VOLTAGE | 80009 | 119-1159-01 |
| A77 | 670-5746-00 | B010100 | B010324 | CKT BOARD ASSY:CRT GRATICULE LIGHT | 80009 | 670-5746-00 |
| A77 | 670-5746-01 | B010325 | | CKT BOARD ASSY:CRT GRATICULE LIGHT | 80009 | 670-5746-01 |

| Component No. | Tektronix Part No. | Serial/Model No. Eff | Dscont | Name & Description | Mfr Code | Mfr Part Number |
|---------------|--------------------|----------------------|---------|---|----------|-----------------|
| A16 | 119-1360-01 | | | OSCILLATOR:2.0 TO 6.1GHZ,W/CAN | 80009 | 119-1360-01 |
| A16C1013 | 290-0778-00 | | | CAP.,FXD,ELCTLT:1UF,+50-10%,50V | 54473 | ECE-A50N1 |
| A16A1 | 670-5540-00 | | | CKT BOARD ASSY:1ST L.O. INTERFACE | 80009 | 670-5540-00 |
| A16A1C1012 | 290-0326-02 | | | CAP.,FXD,ELCTLT:820UF,10%,6V | 56289 | 109D827X9006F2 |
| A16A1C1014 | 290-0326-02 | | | CAP.,FXD,ELCTLT:820UF,10%,6V | 56289 | 109D827X9006F2 |
| A16A1C1016 | 290-0529-00 | | | CAP.,FXD,ELCTLT:47UF,20%,20V | 05397 | T362C476M020AS |
| A16A1K1015 | 148-0076-00 | | | RELAY,REED:1 FORM A,5V,0.25A,100V | 95348 | F81-1447 |
| A16A1L1011 | 108-0205-00 | B010170 | | COIL,RF:1MH | 76493 | 8209 |
| A16A1R1011 | 315-0100-00 | B010100 | B010169 | RES.,FXD,CMPSN:10 OHM,5%,0.25W | 01121 | CB1005 |
| A16A1VR1010 | 152-0590-00 | | | SEMICONV DEVICE:ZENER,18V,5% AT 7MA | 04713 | SZG35014K2 |
| A16A1VR1018 | 152-0304-00 | | | SEMICONV DEVICE:ZENER,0.4W,20V,5% | 15238 | Z5411 |
| A16A1VR1019 | 152-0304-00 | | | SEMICONV DEVICE:ZENER,0.4W,20V,5% | 15238 | Z5411 |
| A18 | 119-1096-00 | B010100 | B010109 | SEC CONV ASSY:2072MHZ | 80009 | 119-1096-00 |
| A18 | 119-1096-01 | B010110 | B010458 | SEC CONV ASSY:2072MHZ | 80009 | 119-1096-01 |
| A18 | ----- | | | (496 ONLY) | | |
| A18 | 119-1096-01 | B010110 | B010495 | SEC CONV ASSY:2072MHZ | 80009 | 119-1096-01 |
| A18 | ----- | | | (496P ONLY) | | |
| A18 | 119-1096-02 | B010458 | | SEC CONV ASSY: | 80009 | 119-1096-02 |
| A18 | ----- | | | (496 ONLY) | | |
| A18 | 119-1096-02 | B010496 | | SEC CONV ASSY: | 80009 | 119-1096-02 |
| A18 | ----- | | | (496P ONLY) | | |
| A18W140 | 175-2199-00 | | | CABLE ASSY,RF:50 OHM COAX,13.04 INCH LONG | 80009 | 175-2199-00 |
| A18W222 | 175-3849-00 | B010100 | B010109 | CABLE ASSY,RF:50 OHM COAX,5.53 L | 80009 | 175-3849-00 |
| A18W222 | ----- | | | (496 ONLY) | | |
| A18W222 | 175-3849-01 | B010110 | | CABLE ASSY,RF:50 OHM COAX,4.85 L | 80009 | 175-3849-01 |
| A18W222 | ----- | | | (496 ONLY) | | |
| A18W222 | 175-3849-01 | | | CABLE ASSY,RF:50 OHM COAX,4.85 L | 80009 | 175-3849-01 |
| A18W222 | ----- | | | (496P ONLY) | | |

Replaceable Electrical Parts—496/496P Service Vol.2

| Component No. | Tektronix Part No. | Serial/Model No. Eff Dscnt | Name & Description | Mfr Code | Mfr Part Number |
|---------------|--------------------|----------------------------|-------------------------------------|----------|------------------|
| A22 | 650-0266-00 | B010100 B010316 | PH LOCK 2ND LO: | 80009 | 650-0266-00 |
| A22 | 650-0266-01 | B010317 | PH LOCK 2ND LO: | 80009 | 650-0266-01 |
| A22C220 | 281-0720-00 | | CAP.,FXD,CER DI:1750PF,+80-20%,250V | 72982 | 1214-001 |
| A22C221 | 281-0720-00 | | CAP.,FXD,CER DI:1750PF,+80-20%,250V | 72982 | 1214-001 |
| A22C222 | 281-0720-00 | | CAP.,FXD,CER DI:1750PF,+80-20%,250V | 72982 | 1214-001 |
| A22C223 | 281-0720-00 | | CAP.,FXD,CER DI:1750PF,+80-20%,250V | 72982 | 1214-001 |
| A22C224 | 281-0720-00 | | CAP.,FXD,CER DI:1750PF,+80-20%,250V | 72982 | 1214-001 |
| A22C226 | 281-0720-00 | | CAP.,FXD,CER DI:1750PF,+80-20%,250V | 72982 | 1214-001 |
| A22C227 | 281-0720-00 | | CAP.,FXD,CER DI:1750PF,+80-20%,250V | 72982 | 1214-001 |
| A22R224 | 321-0189-00 | | RES.,FXD,FILM:909 OHM,1%,0.125W | 91637 | MFF1816G909R0F |
| A22A1 | 670-7077-00 | B010100 B010355 | CKT BOARD ASSY:16-20MHZ PHASELOCK | 80009 | 670-7077-00 |
| A22A1 | 670-7077-01 | B010356 | CKT BOARD ASSY:16-20MHZ PHASELOCK | 80009 | 670-7077-01 |
| A22A1C1012 | 290-0517-00 | | CAP.,FXD,ELCTLT:6.8UF,20%,35V | 56289 | 196D685X0035KA1 |
| A22A1C1017 | 283-0201-00 | | CAP.,FXD,CER DI:27PF,10%,200V | 51642 | W150-200 X7R270K |
| A22A1C1019 | 290-0517-00 | | CAP.,FXD,ELCTLT:6.8UF,20%,35V | 56289 | 196D685X0035KA1 |
| A22A1C1026 | 283-0051-00 | | CAP.,FXD,CER DI:0.0033UF,5%,100V | 56289 | 1C20C0G332J100B |
| A22A1C1027 | 290-0517-00 | | CAP.,FXD,ELCTLT:6.8UF,20%,35V | 56289 | 196D685X0035KA1 |
| A22A1C1028 | 283-0108-00 | | CAP.,FXD,CER DI:220PF,10%,200V | 56289 | 1C10C0G221K200B |
| A22A1C1029 | 283-0051-00 | | CAP.,FXD,CER DI:0.0033UF,5%,100V | 56289 | 1C20C0G332J100B |
| A22A1C1031 | 283-0108-00 | | CAP.,FXD,CER DI:220PF,10%,200V | 56289 | 1C10C0G221K200B |
| A22A1C1033 | 290-0517-00 | | CAP.,FXD,ELCTLT:6.8UF,20%,35V | 56289 | 196D685X0035KA1 |
| A22A1C1034 | 290-0517-00 | | CAP.,FXD,ELCTLT:6.8UF,20%,35V | 56289 | 196D685X0035KA1 |
| A22A1C1038 | 283-0339-00 | | CAP.,FXD,CER DI:0.22UF,10%,50V | 72982 | 8131N075W5R224K |
| A22A1C1044 | 283-0339-00 | | CAP.,FXD,CER DI:0.22UF,10%,50V | 72982 | 8131N075W5R224K |
| A22A1C1046 | 283-0108-00 | | CAP.,FXD,CER DI:220PF,10%,200V | 56289 | 1C10C0G221K200B |
| A22A1C1047 | 283-0339-00 | | CAP.,FXD,CER DI:0.22UF,10%,50V | 72982 | 8131N075W5R224K |
| A22A1C1073 | 290-0517-00 | | CAP.,FXD,ELCTLT:6.8UF,20%,35V | 56289 | 196D685X0035KA1 |
| A22A1C1079 | 290-0517-00 | | CAP.,FXD,ELCTLT:6.8UF,20%,35V | 56289 | 196D685X0035KA1 |
| A22A1C1086 | 283-0339-00 | B010356 | CAP.,FXD,CER DI:0.22UF,10%,50V | 72982 | 8131N075W5R224K |
| A22A1C1087 | 283-0339-00 | | CAP.,FXD,CER DI:0.22UF,10%,50V | 72982 | 8131N075W5R224K |
| A22A1C1088 | 283-0339-00 | | CAP.,FXD,CER DI:0.22UF,10%,50V | 72982 | 8131N075W5R224K |
| A22A1C2011 | 290-0517-00 | | CAP.,FXD,ELCTLT:6.8UF,20%,35V | 56289 | 196D685X0035KA1 |
| A22A1C2012 | 283-0339-00 | | CAP.,FXD,CER DI:0.22UF,10%,50V | 72982 | 8131N075W5R224K |
| A22A1C2015 | 290-0512-00 | | CAP.,FXD,ELCTLT:22UF,20%,15V | 56289 | 196D226X0015KA1 |
| A22A1C2016 | 283-0326-00 | | CAP.,FXD,CER DI:0.082UF,10%,50V | 72982 | 8121N075X7R0823K |
| A22A1C2019 | 290-0517-00 | | CAP.,FXD,ELCTLT:6.8UF,20%,35V | 56289 | 196D685X0035KA1 |
| A22A1C2026 | 283-0339-00 | B010100 B010355 | CAP.,FXD,CER DI:0.22UF,10%,50V | 72982 | 8131N075W5R224K |
| A22A1C2026 | 283-0239-00 | B010356 | CAP.,FXD,CER DI:0.022UF,10%,50V | 72982 | 8121N083X7R0223K |
| A22A1C2030 | 283-0204-00 | | CAP.,FXD,CER DI:0.01UF,20%,50V | 96733 | R2676 |
| A22A1C2040 | 283-0330-00 | | CAP.,FXD,CER DI:100PF,5%,50V | 51642 | 150-050-NP0-101J |
| A22A1C2041 | 283-0339-00 | B010100 B010355 | CAP.,FXD,CER DI:0.22UF,10%,50V | 72982 | 8131N075W5R224K |
| A22A1C2041 | 283-0239-00 | B010356 | CAP.,FXD,CER DI:0.022UF,10%,50V | 72982 | 8121N083X7R0223K |
| A22A1C2043 | 283-0330-00 | | CAP.,FXD,CER DI:100PF,5%,50V | 51642 | 150-050-NP0-101J |
| A22A1C2046 | 283-0024-00 | | CAP.,FXD,CER DI:0.1UF,+80-20%,50V | 72982 | 8121N083Z5U0104Z |
| A22A1C2077 | 290-0517-00 | | CAP.,FXD,ELCTLT:6.8UF,20%,35V | 56289 | 196D685X0035KA1 |
| A22A1C2081 | 290-0517-00 | | CAP.,FXD,ELCTLT:6.8UF,20%,35V | 56289 | 196D685X0035KA1 |
| A22A1C2085 | 283-0107-00 | | CAP.,FXD,CER DI:51PF,5%,200V | 96733 | R3017 |
| A22A1C2090 | 283-0175-00 | | CAP.,FXD,CER DI:10PF,5%,200V | 96733 | TDR43BY100DP |
| A22A1C2091 | 283-0197-00 | | CAP.,FXD,CER DI:470PF,5%,100V | 72982 | 8121N075C0G0471J |
| A22A1C2092 | 283-0339-00 | | CAP.,FXD,CER DI:0.22UF,10%,50V | 72982 | 8131N075W5R224K |
| A22A1CR1019 | 152-0141-02 | | SEMICONV DEVICE:SILICON,30V,150MA | 01295 | 1N4152R |
| A22A1CR1086 | 152-0141-02 | | SEMICONV DEVICE:SILICON,30V,150MA | 01295 | 1N4152R |

| Component No. | Tektronix Part No. | Serial/Model No. Eff | Dscont | Name & Description | Mfr Code | Mfr Part Number |
|---------------|--------------------|----------------------|---------|--------------------------------------|----------|-----------------|
| A22A1CR1087 | 152-0141-02 | | | SEMICONV DEVICE:SILICON,30V,150MA | 01295 | 1N4152R |
| A22A1CR1088 | 152-0141-02 | | | SEMICONV DEVICE:SILICON,30V,150MA | 01295 | 1N4152R |
| A22A1CR1089 | 152-0719-00 | | | SEMICONV DEVICE:SILICON,100PF,5%,30V | 80009 | 152-0719-00 |
| A22A1CR2012 | 152-0141-02 | | | SEMICONV DEVICE:SILICON,30V,150MA | 01295 | 1N4152R |
| A22A1CR2014 | 152-0141-02 | | | SEMICONV DEVICE:SILICON,30V,150MA | 01295 | 1N4152R |
| A22A1CR2015 | 152-0141-02 | | | SEMICONV DEVICE:SILICON,30V,150MA | 01295 | 1N4152R |
| A22A1CR2019 | 152-0141-02 | | | SEMICONV DEVICE:SILICON,30V,150MA | 01295 | 1N4152R |
| A22A1CR2048 | 152-0141-02 | | | SEMICONV DEVICE:SILICON,30V,150MA | 01295 | 1N4152R |
| A22A1CR2084 | 152-0141-02 | | | SEMICONV DEVICE:SILICON,30V,150MA | 01295 | 1N4152R |
| A22A1L1012 | 120-0407-00 | | | XFMR,TOROID:5 TURNS SINGLE | 80009 | 120-0407-00 |
| A22A1L1022 | 108-0440-00 | | | COIL,RF:8UH,TOROIDAL INDUCTOR | 80009 | 108-0440-00 |
| A22A1L1097 | 108-0440-00 | | | COIL,RF:8UH,TOROIDAL INDUCTOR | 80009 | 108-0440-00 |
| A22A1L2027 | 108-0440-00 | B010100 | B010355 | COIL,RF:8UH,TOROIDAL INDUCTOR | 80009 | 108-0440-00 |
| A22A1L2027 | 120-0407-00 | B010356 | | XFMR,TOROID:5 TURNS SINGLE | 80009 | 120-0407-00 |
| A22A1L2038 | 108-0440-00 | B010100 | B010355 | COIL,RF:8UH,TOROIDAL INDUCTOR | 80009 | 108-0440-00 |
| A22A1L2038 | 120-0407-00 | B010356 | | XFMR,TOROID:5 TURNS SINGLE | 80009 | 120-0407-00 |
| A22A1Q1012 | 151-0103-00 | | | TRANSISTOR:SILICON,NPN | 80009 | 151-0103-00 |
| A22A1Q1023 | 151-0103-00 | | | TRANSISTOR:SILICON,NPN | 80009 | 151-0103-00 |
| A22A1Q1041 | 151-0441-00 | | | TRANSISTOR:SILICON,NPN | 04713 | SRF501 |
| A22A1Q1042 | 151-0441-00 | | | TRANSISTOR:SILICON,NPN | 04713 | SRF501 |
| A22A1Q1043 | 151-0441-00 | | | TRANSISTOR:SILICON,NPN | 04713 | SRF501 |
| A22A1Q1047 | 151-0301-00 | | | TRANSISTOR:SILICON,PNP | 27014 | 2N2907A |
| A22A1Q2024 | 151-0301-00 | | | TRANSISTOR:SILICON,PNP | 27014 | 2N2907A |
| A22A1Q2076 | 151-0301-00 | | | TRANSISTOR:SILICON,PNP | 27014 | 2N2907A |
| A22A1Q2084 | 151-1022-00 | | | TRANSISTOR:FET,N-CHAN,SI,F1782,T0-18 | 17856 | FN1234 |
| A22A1Q2087 | 151-0441-00 | | | TRANSISTOR:SILICON,NPN | 04713 | SRF501 |
| A22A1Q2096 | 151-0441-00 | | | TRANSISTOR:SILICON,NPN | 04713 | SRF501 |
| A22A1R224 | 321-0189-00 | | | RES.,FXD,FILM:909 OHM,1%,0.125W | 91637 | MFF1816G909R0F |
| A22A1R1011 | 315-0471-00 | | | RES.,FXD,CMPSN:470 OHM,5%,0.25W | 01121 | CB4715 |
| A22A1R1013 | 315-0101-00 | | | RES.,FXD,CMPSN:100 OHM,5%,0.25W | 01121 | CB1015 |
| A22A1R1014 | 315-0100-00 | | | RES.,FXD,CMPSN:10 OHM,5%,0.25W | 01121 | CB1005 |
| A22A1R1015 | 321-0297-00 | | | RES.,FXD,FILM:12.1K OHM,1%,0.125W | 91637 | MFF1816G12101F |
| A22A1R1016 | 321-0262-00 | | | RES.,FXD,FILM:5.23K OHM,1%,0.125W | 91637 | MFF1816G52300F |
| A22A1R1018 | 315-0101-00 | | | RES.,FXD,CMPSN:100 OHM,5%,0.25W | 01121 | CB1015 |
| A22A1R1019 | 315-0470-00 | | | RES.,FXD,CMPSN:47 OHM,5%,0.25W | 01121 | CB4705 |
| A22A1R1023 | 315-0200-00 | | | RES.,FXD,CMPSN:20 OHM,5%,0.25W | 01121 | CB2005 |
| A22A1R1024 | 315-0390-00 | | | RES.,FXD,CMPSN:39 OHM,5%,0.25W | 01121 | CB3905 |
| A22A1R1025 | 315-0101-00 | | | RES.,FXD,CMPSN:100 OHM,5%,0.25W | 01121 | CB1015 |
| A22A1R1026 | 315-0302-00 | | | RES.,FXD,CMPSN:3K OHM,5%,0.25W | 01121 | CB3025 |
| A22A1R1027 | 315-0302-00 | | | RES.,FXD,CMPSN:3K OHM,5%,0.25W | 01121 | CB3025 |
| A22A1R1028 | 315-0102-00 | | | RES.,FXD,CMPSN:1K OHM,5%,0.25W | 01121 | CB1025 |
| A22A1R1029 | 315-0101-00 | | | RES.,FXD,CMPSN:100 OHM,5%,0.25W | 01121 | CB1015 |
| A22A1R1031 | 315-0102-00 | | | RES.,FXD,CMPSN:1K OHM,5%,0.25W | 01121 | CB1025 |
| A22A1R1033 | 321-0821-00 | | | RES.,FXD,FILM:2.12K OHM,1%,0.125W | 91637 | MFF1816G21200F |
| A22A1R1034 | 321-0217-00 | | | RES.,FXD,FILM:1.78K OHM,1%,0.125W | 91637 | MFF1816G17800F |
| A22A1R1035 | 315-0101-00 | | | RES.,FXD,CMPSN:100 OHM,5%,0.25W | 01121 | CB1015 |
| A22A1R1037 | 317-0200-00 | | | RES.,FXD,CMPSN:20 OHM,5%,0.125W | 01121 | BB2005 |
| A22A1R1038 | 317-0161-00 | | | RES.,FXD,CMPSN:160 OHM,5%,0.125W | 01121 | BB1615 |
| A22A1R1039 | 317-0161-00 | | | RES.,FXD,CMPSN:160 OHM,5%,0.125W | 01121 | BB1615 |
| A22A1R1040 | 317-0511-00 | | | RES.,FXD,CMPSN:510 OHM,5%,0.125W | 01121 | BB5115 |
| A22A1R1042 | 317-0391-00 | | | RES.,FXD,CMPSN:390 OHM,5%,0.125W | 01121 | BB3915 |
| A22A1R1043 | 317-0111-00 | | | RES.,FXD,CMPSN:110 OHM,5%,0.125W | 01121 | BB1115 |
| A22A1R1046 | 317-0820-00 | | | RES.,FXD,CMPSN:82 OHM,5%,0.125W | 01121 | BB8205 |
| A22A1R1048 | 317-0680-00 | | | RES.,FXD,CMPSN:68 OHM,5%,0.125W | 01121 | BB6805 |
| A22A1R1051 | 321-0294-00 | | | RES.,FXD,FILM:11.3K OHM,1%,0.125W | 91637 | MFF1816G11301F |

Replaceable Electrical Parts—496/496P Service Vol.2

| Component No. | Tektronix Part No. | Serial/Model No. Eff Dscont | Name & Description | Mfr Code | Mfr Part Number |
|---------------|--------------------|-----------------------------|--------------------------------------|----------|-----------------|
| A22A1R1052 | 321-0319-00 | | RES.,FXD,FILM:20.5K OHM,1%,0.125W | 91637 | MFF1816G20501F |
| A22A1R1053 | 321-0340-00 | | RES.,FXD,FILM:34K OHM,1%,0.125W | 91637 | MFF1816G34001F |
| A22A1R1054 | 321-0361-00 | | RES.,FXD,FILM:56.2K OHM,1%,0.125W | 91637 | MFF1816G56201F |
| A22A1R1055 | 321-0387-00 | | RES.,FXD,FILM:105K OHM,1%,0.125W | 91637 | MFF1816G10502F |
| A22A1R1056 | 321-0437-00 | | RES.,FXD,FILM:348K OHM,1%,0.125W | 91637 | MFF1816G34802F |
| A22A1R1060 | 321-0437-00 | | RES.,FXD,FILM:348K OHM,1%,0.125W | 91637 | MFF1816G34802F |
| A22A1R1061 | 321-0391-00 | | RES.,FXD,FILM:115K OHM,1%,0.125K | 91637 | MFF1816G11502F |
| A22A1R1062 | 321-0368-00 | | RES.,FXD,FILM:66.5K OHM,1%,0.125W | 91637 | MFF1816G66501F |
| A22A1R1063 | 321-0353-00 | | RES.,FXD,FILM:46.4K OHM,1%,0.125W | 91637 | MFF1816G46401F |
| A22A1R1064 | 321-0341-00 | | RES.,FXD,FILM:34.8K OHM,1%,0.125W | 91637 | MFF1816G34801F |
| A22A1R1065 | 321-0331-00 | | RES.,FXD,FILM:27.4K OHM,1%,0.125W | 91637 | MFF1816G27401F |
| A22A1R1070 | 321-0289-00 | | RES.,FXD,FILM:10K OHM,1%,0.125W | 91637 | MFF1816G10001F |
| A22A1R1072 | 321-0222-00 | | RES.,FXD,FILM:2K OHM,1%,0.125W | 91637 | MFF1816G20000F |
| A22A1R1073 | 315-0470-00 | | RES.,FXD,CMPSN:47 OHM,5%,0.25W | 01121 | CB4705 |
| A22A1R1074 | 321-0201-00 | | RES.,FXD,FILM:1.21K OHM,1%,0.125W | 91637 | MFF1816G12100F |
| A22A1R1076 | 321-0302-00 | | RES.,FXD,FILM:13.7K OHM,1%,0.125W | 91637 | MFF1816G13701F |
| A22A1R1079 | 321-0289-00 | | RES.,FXD,FILM:10K OHM,1%,0.125W | 91637 | MFF1816G10001F |
| A22A1R1080 | 315-0471-00 | | RES.,FXD,CMPSN:470 OHM,5%,0.25W | 01121 | CB4715 |
| A22A1R1081 | 315-0470-00 | | RES.,FXD,CMPSN:47 OHM,5%,0.25W | 01121 | CB4705 |
| A22A1R1082 | 321-0335-00 | | RES.,FXD,FILM:30.1K OHM,1%,0.125W | 91637 | CMF55116G30101F |
| A22A1R1083 | 315-0432-00 | | RES.,FXD,CMPSN:4.3K OHM,5%,0.25W | 01121 | CB4325 |
| A22A1R1086 | 315-0471-00 | B010356 | RES.,FXD,CMPSN:470 OHM,5%,0.25W | 01121 | CB4715 |
| A22A1R1097 | 315-0390-00 | | RES.,FXD,CMPSN:39 OHM,5%,0.25W | 01121 | CB3905 |
| A22A1R2010 | 321-1296-07 | | RES.,FXD,FILM:12K OHM,0.1%,0.125W | 91637 | MFF1816C12001B |
| A22A1R2011 | 321-1296-07 | | RES.,FXD,FILM:12K OHM,0.1%,0.125W | 91637 | MFF1816C12001B |
| A22A1R2012 | 315-0470-00 | | RES.,FXD,CMPSN:47 OHM,5%,0.25W | 01121 | CB4705 |
| A22A1R2013 | 315-0103-00 | | RES.,FXD,CMPSN:10K OHM,5%,0.25W | 01121 | CB1035 |
| A22A1R2014 | 315-0332-00 | | RES.,FXD,CMPSN:3.3K OHM,5%,0.25W | 01121 | CB3325 |
| A22A1R2015 | 315-0102-00 | | RES.,FXD,CMPSN:1K OHM,5%,0.25W | 01121 | CB1025 |
| A22A1R2016 | 321-0264-07 | | RES.,FXD,FILM:5.49K OHM,0.1%,0.125W | 91637 | MFF1816C54900B |
| A22A1R2017 | 321-1617-06 | | RES.,FXD,FILM:5.85K OHM,0.25%,0.125W | 91637 | MFF1816C58500C |
| A22A1R2018 | 315-0302-00 | | RES.,FXD,CMPSN:3K OHM,5%,0.25W | 01121 | CB3025 |
| A22A1R2019 | 315-0751-00 | | RES.,FXD,CMPSN:750 OHM,5%,0.25W | 01121 | CB7515 |
| A22A1R2020 | 315-0152-00 | | RES.,FXD,CMPSN:1.5K OHM,5%,0.25W | 01121 | CB1525 |
| A22A1R2025 | 315-0240-00 | | RES.,FXD,CMPSN:24 OHM,5%,0.25W | 01121 | CB2405 |
| A22A1R2026 | 315-0270-00 | B010356 | RES.,FXD,CMPSN:27 OHM,5%,0.25W | 01121 | CB2705 |
| A22A1R2027 | 315-0102-00 | | RES.,FXD,CMPSN:1K OHM,5%,0.25W | 01121 | CB1025 |
| A22A1R2028 | 315-0152-00 | | RES.,FXD,CMPSN:1.5K OHM,5%,0.25W | 01121 | CB1525 |
| A22A1R2030 | 315-0102-00 | | RES.,FXD,CMPSN:1K OHM,5%,0.25W | 01121 | CB1025 |
| A22A1R2031 | 315-0152-00 | | RES.,FXD,CMPSN:1.5K OHM,5%,0.25W | 01121 | CB1525 |
| A22A1R2032 | 315-0131-00 | | RES.,FXD,CMPSN:130 OHM,5%,0.25W | 01121 | CB1315 |
| A22A1R2033 | 315-0102-00 | | RES.,FXD,CMPSN:1K OHM,5%,0.25W | 01121 | CB1025 |
| A22A1R2034 | 315-0911-00 | | RES.,FXD,CMPSN:910 OHM,5%,0.25W | 01121 | CB9115 |
| A22A1R2035 | 315-0152-00 | | RES.,FXD,CMPSN:1.5K OHM,5%,0.25W | 01121 | CB1525 |
| A22A1R2037 | 315-0152-00 | | RES.,FXD,CMPSN:1.5K OHM,5%,0.25W | 01121 | CB1525 |
| A22A1R2039 | 315-0270-00 | B010356 | RES.,FXD,CMPSN:27 OHM,5%,0.25W | 01121 | CB2705 |
| A22A1R2041 | 315-0161-00 | | RES.,FXD,CMPSN:160 OHM,5%,0.25W | 01121 | CB1615 |
| A22A1R2042 | 315-0391-00 | | RES.,FXD,CMPSN:390 OHM,5%,0.25W | 01121 | CB3915 |
| A22A1R2044 | 315-0161-00 | | RES.,FXD,CMPSN:160 OHM,5%,0.25W | 01121 | CB1615 |
| A22A1R2045 | 315-0102-00 | | RES.,FXD,CMPSN:1K OHM,5%,0.25W | 01121 | CB1025 |
| A22A1R2046 | 321-0205-00 | | RES.,FXD,FILM:1.33K OHM,1%,0.125W | 91637 | MFF1816G13300F |
| A22A1R2049 | 321-0289-00 | | RES.,FXD,FILM:10K OHM,1%,0.125W | 91637 | MFF1816G10001F |
| A22A1R2051 | 321-0329-00 | | RES.,FXD,FILM:26.1K OHM,1%,0.125W | 91637 | MFF1816G26101F |
| A22A1R2052 | 321-0326-00 | | RES.,FXD,FILM:24.3K OHM,1%,0.125W | 91637 | MFF1816G24301F |
| A22A1R2053 | 321-0323-00 | | RES.,FXD,FILM:22.6K OHM,1%,0.125W | 91637 | MFF1816G22601F |

| Component No. | Tektronix Part No. | Serial/Model No. Eff | Discont | Name & Description | Mfr Code | Mfr Part Number |
|---------------|--------------------|----------------------|---------|--|----------|-----------------|
| A22A1R2054 | 321-0319-00 | | | RES.,FXD,FILM:20.5K OHM,1%,0.125W | 91637 | MFF1816G20501F |
| A22A1R2055 | 321-0316-00 | | | RES.,FXD,FILM:19.1K OHM,1%,0.125W | 91637 | MFF1816G19101F |
| A22A1R2056 | 321-0313-00 | | | RES.,FXD,FILM:17.8K OHM,1%,0.125W | 91637 | MFF1816G17801F |
| A22A1R2060 | 321-0309-00 | | | RES.,FXD,FILM:16.2K OHM,1%,0.125W | 91637 | MFF1816G16201F |
| A22A1R2061 | 321-0306-00 | | | RES.,FXD,FILM:15K OHM,1%,0.125W | 91637 | MFF1816G15001F |
| A22A1R2062 | 321-0303-00 | | | RES.,FXD,FILM:14K OHM,1%,0.125W | 91637 | MFF1816G14001F |
| A22A1R2063 | 321-0299-00 | | | RES.,FXD,FILM:12.7K OHM,1%,0.125W | 91637 | MFF1816G12701F |
| A22A1R2064 | 321-0296-00 | | | RES.,FXD,FILM:11.8K OHM,1%,0.125W | 91637 | MFF1816G11801F |
| A22A1R2065 | 321-0293-00 | | | RES.,FXD,FILM:11K OHM,1%,0.125W | 91637 | MFF1816G11001F |
| A22A1R2066 | 321-0289-00 | | | RES.,FXD,FILM:10K OHM,1%,0.125W | 91637 | MFF1816G10001F |
| A22A1R2067 | 321-0289-00 | | | RES.,FXD,FILM:10K OHM,1%,0.125W | 91637 | MFF1816G10001F |
| A22A1R2068 | 321-0285-09 | | | RES.,FXD,FILM:9.09K OHM,1%,0.125W | 24546 | NE55E9091F |
| A22A1R2070 | 321-0239-00 | | | RES.,FXD,FILM:3.01K OHM,1%,0.125W | 91637 | MFF1816G30100F |
| A22A1R2071 | 321-0239-00 | | | RES.,FXD,FILM:3.01K OHM,1%,0.125W | 91637 | MFF1816G30100F |
| A22A1R2072 | 321-0239-00 | | | RES.,FXD,FILM:3.01K OHM,1%,0.125W | 91637 | MFF1816G30100F |
| A22A1R2073 | 315-0101-00 | | | RES.,FXD,CMPSN:100 OHM,5%,0.25W | 01121 | CB1015 |
| A22A1R2074 | 315-0562-00 | | | RES.,FXD,CMPSN:5.6K OHM,5%,0.25W | 01121 | CB5625 |
| A22A1R2075 | 315-0103-00 | | | RES.,FXD,CMPSN:10K OHM,5%,0.25W | 01121 | CB1035 |
| A22A1R2077 | 321-0286-00 | | | RES.,FXD,FILM:9.31K OHM,1%,0.125W | 91637 | MFF1816G93100F |
| A22A1R2080 | 315-0101-00 | | | RES.,FXD,CMPSN:100 OHM,5%,0.25W | 01121 | CB1015 |
| A22A1R2082 | 321-0275-00 | | | RES.,FXD,FILM:7.15K OHM,1%,0.125W | 91637 | MFF1816G71500F |
| A22A1R2083 | 321-0367-00 | | | RES.,FXD,FILM:64.9K OHM,1%,0.125W | 91637 | MFF1816G64901F |
| A22A1R2084 | 315-0202-00 | | | RES.,FXD,CMPSN:2K OHM,5%,0.25W | 01121 | CB2025 |
| A22A1R2085 | 315-0105-00 | | | RES.,FXD,CMPSN:1M OHM,5%,0.25W | 01121 | CB1055 |
| A22A1R2086 | 315-0473-00 | | | RES.,FXD,CMPSN:47K OHM,5%,0.25W | 01121 | CB4735 |
| A22A1R2087 | 315-0102-00 | | | RES.,FXD,CMPSN:1K OHM,5%,0.25W | 01121 | CB1025 |
| A22A1R2088 | 315-0102-00 | | | RES.,FXD,CMPSN:1K OHM,5%,0.25W | 01121 | CB1025 |
| A22A1R2089 | 315-0102-00 | | | RES.,FXD,CMPSN:1K OHM,5%,0.25W | 01121 | CB1025 |
| A22A1R2090 | 321-0272-00 | | | RES.,FXD,FILM:6.65K OHM,1%,0.125W | 91637 | MFF1816G66500F |
| A22A1R2092 | 315-0101-00 | | | RES.,FXD,CMPSN:100 OHM,5%,0.25W | 01121 | CB1015 |
| A22A1R2093 | 321-0272-00 | | | RES.,FXD,FILM:6.65K OHM,1%,0.125W | 91637 | MFF1816G66500F |
| A22A1R2097 | 321-0047-00 | B010100 | B010355 | RES.,FXD,FILM:30.1 OHM,1%,0.125W | 91637 | MFF1816G30R10F |
| A22A1R2097 | 321-0114-00 | B010356 | | RES.,FXD,FILM:150 OHM,1%,0.125W | 91637 | MFF1816G150R0F |
| A22A1T1091 | 120-1386-00 | | | TRANSFORMER,RF:TOROID,3 WINDINGS | 80009 | 120-1386-00 |
| A22A1T2092 | 120-1392-00 | | | TRANSFORMER,RF:TOROID,2 WINDINGS | 80009 | 120-1392-00 |
| A22A1U1017 | 156-0105-04 | | | MICROCIRCUIT,LI:OPNL AMPL,SCREENED | 80009 | 156-0105-04 |
| A22A1U1031 | 156-1338-02 | | | MICROCIRCUIT,LI:OPNL AMPL,SCREENED | 80009 | 156-1338-02 |
| A22A1U1059 | 156-1545-00 | | | MICROCIRCUIT,LI:DIODE ARRAY,7 ISOL DIODES | 07263 | FS12720M |
| A22A1U1073 | 156-1272-00 | | | MICROCIRCUIT,LI:DUAL OPERATIONAL AMPLIFIER | 18324 | NE5532 FE-IIB |
| A22A1U2016 | 156-1272-00 | | | MICROCIRCUIT,LI:DUAL OPERATIONAL AMPLIFIER | 18324 | NE5532 FE-IIB |
| A22A1U2031 | 156-0230-02 | | | MICROCIRCUIT,DI:DUAL D-TYPE M/S,FF,SCRN | 04713 | MC10131LD |
| A22A1U2041 | 156-0860-02 | | | MICROCIRCUIT,DI:TRIPLE LINE RECEIVER,SCRN | 04713 | MC10116PD/LD |
| A22A1U2059 | 156-1545-00 | | | MICROCIRCUIT,LI:DIODE ARRAY,7 ISOL DIODES | 07263 | FS12720M |
| A22A1U2072 | 156-1272-00 | | | MICROCIRCUIT,LI:DUAL OPERATIONAL AMPLIFIER | 18324 | NE5532 FE-IIB |
| A22A1VR2021 | 152-0486-00 | | | SEMICOND DEVICE:ZENER,0.25W,6.2V,5% | 80009 | 152-0486-00 |
| A22A1W2069 | 131-0566-00 | | | BUS CONDUCTOR:DUMMY RES,2.375,22 AWG | 57668 | JWW-0200E0 |
| A22A1W2081 | 131-0566-00 | | | BUS CONDUCTOR:DUMMY RES,2.375,22 AWG | 57668 | JWW-0200E0 |

Replaceable Electrical Parts—496/496P Service Vol.2

| Component No. | Tektronix Part No. | Serial/Model No. Eff | Dscont | Name & Description | Mfr Code | Mfr Part Number |
|---------------|--------------------|----------------------|---------|---------------------------------------|----------|------------------|
| A22A2 | 119-1412-00 | B010100 | B010316 | PH LOCK LO CONT: | 80009 | 119-1412-00 |
| A22A2 | 119-1412-01 | B010317 | | PH LOCK LO CONT: | 80009 | 119-1412-01 |
| A22A2C2200 | 281-0825-00 | | | CAP.,FXD,CER DI:0.005UF,+100-0%,100V | 33095 | 51-726-008 |
| A22A2C2201 | 281-0825-00 | | | CAP.,FXD,CER DI:0.005UF,+100-0%,100V | 33095 | 51-726-008 |
| A22A2C2202 | 281-0825-00 | | | CAP.,FXD,CER DI:0.005UF,+100-0%,100V | 33095 | 51-726-008 |
| A22A2C2203 | 281-0875-00 | | | CAP.,FXD,CER DI:100PF,20%,200V | 33095 | 54-713-001-101M |
| A22A2C2204 | 281-0875-00 | | | CAP.,FXD,CER DI:100PF,20%,200V | 33095 | 54-713-001-101M |
| A22A2A1 | 670-7075-00 | B010100 | B010316 | CKT BOARD ASSY:2182MHZ MICROSTRIP OSC | 80009 | 670-7075-00 |
| A22A2A1 | 670-7075-01 | B010317 | | CKT BOARD ASSY:2182MHZ MICROSTRIP OSC | 80009 | 670-7075-01 |
| A22A2A1C1011 | 283-0181-00 | | | CAP.,FXD,CER DI:1.8PF,10%,100V | 59660 | 8101B121COKO189B |
| A22A2A1C1013 | 283-0220-00 | | | CAP.,FXD,CER DI:0.01UF,20%,50V | 72982 | 8121N075X7R0103M |
| A22A2A1C1014 | 283-0181-00 | | | CAP.,FXD,CER DI:1.8PF,10%,100V | 59660 | 8101B121COKO189B |
| A22A2A1C1021 | 283-0176-00 | B010317 | | CAP.,FXD,CER DI:0.0022UF,20%,50V | 56289 | 272C5 |
| A22A2A1C1031 | 283-0181-00 | | | CAP.,FXD,CER DI:1.8PF,10%,100V | 59660 | 8101B121COKO189B |
| A22A2A1C1033 | 283-0181-00 | | | CAP.,FXD,CER DI:1.8PF,10%,100V | 59660 | 8101B121COKO189B |
| A22A2A1C2011 | 283-0220-00 | | | CAP.,FXD,CER DI:0.01UF,20%,50V | 72982 | 8121N075X7R0103M |
| A22A2A1C2012 | 283-0181-00 | | | CAP.,FXD,CER DI:1.8PF,10%,100V | 59660 | 8101B121COKO189B |
| A22A2A1C2013 | 283-0181-00 | | | CAP.,FXD,CER DI:1.8PF,10%,100V | 59660 | 8101B121COKO189B |
| A22A2A1C2014 | 283-0176-00 | B010100 | B010316 | CAP.,FXD,CER DI:0.0022UF,20%,50V | 56289 | 272C5 |
| A22A2A1C2021 | 283-0220-00 | B010100 | B010316 | CAP.,FXD,CER DI:0.01UF,20%,50V | 72982 | 8121N075X7R0103M |
| A22A2A1C2023 | 283-0181-00 | | | CAP.,FXD,CER DI:1.8PF,10%,100V | 59660 | 8101B121COKO189B |
| A22A2A1C2024 | 290-0517-00 | | | CAP.,FXD,ELCTLT:6.8UF,20%,35V | 56289 | 196D685X0035KA1 |
| A22A2A1C2025 | 283-0181-00 | | | CAP.,FXD,CER DI:1.8PF,10%,100V | 59660 | 8101B121COKO189B |
| A22A2A1C2031 | 283-0181-00 | | | CAP.,FXD,CER DI:1.8PF,10%,100V | 59660 | 8101B121COKO189B |
| A22A2A1C2032 | 283-0220-00 | | | CAP.,FXD,CER DI:0.01UF,20%,50V | 72982 | 8121N075X7R0103M |
| A22A2A1C2033 | 283-0220-00 | | | CAP.,FXD,CER DI:0.01UF,20%,50V | 72982 | 8121N075X7R0103M |
| A22A2A1CR1028 | 152-0722-00 | | | SEMICONV DEVICE:SILICON,1.5PF,45V | 17540 | DVH-6934-98 |
| A22A2A1CR2013 | 152-0141-02 | | | SEMICONV DEVICE:SILICON,30V,150MA | 01295 | 1N4152R |
| A22A2A1CR2021 | 152-0141-02 | | | SEMICONV DEVICE:SILICON,30V,150MA | 01295 | 1N4152R |
| A22A2A1CR2031 | 152-0141-02 | | | SEMICONV DEVICE:SILICON,30V,150MA | 01295 | 1N4152R |
| A22A2A1L1011 | 108-0682-00 | | | COIL,RF:66NH | 80009 | 108-0682-00 |
| A22A2A1L1014 | 108-0682-00 | | | COIL,RF:66NH | 80009 | 108-0682-00 |
| A22A2A1L2011 | 108-0682-00 | | | COIL,RF:66NH | 80009 | 108-0682-00 |
| A22A2A1L2013 | 108-0682-00 | | | COIL,RF:66NH | 80009 | 108-0682-00 |
| A22A2A1L2023 | 108-0682-00 | | | COIL,RF:66NH | 80009 | 108-0682-00 |
| A22A2A1L2025 | 108-0682-00 | | | COIL,RF:66NH | 80009 | 108-0682-00 |
| A22A2A1L2031 | 108-0682-00 | | | COIL,RF:66NH | 80009 | 108-0682-00 |
| A22A2A1L2032 | 108-0682-00 | | | COIL,RF:66NH | 80009 | 108-0682-00 |
| A22A2A1L2033 | 108-0682-00 | | | COIL,RF:66NH | 80009 | 108-0682-00 |
| A22A2A1Q1011 | 151-0689-00 | | | TRANSISTOR:SILICON,NPN | 80009 | 151-0689-00 |
| A22A2A1Q1021 | 151-0630-00 | | | TRANSISTOR:SILICON,NPN | 80009 | 151-0630-00 |
| A22A2A1Q1031 | 151-0689-00 | | | TRANSISTOR:SILICON,NPN | 80009 | 151-0689-00 |
| A22A2A1Q2021 | 151-0301-00 | | | TRANSISTOR:SILICON,PNP | 27014 | 2N2907A |
| A22A2A1R1011 | 317-0101-00 | | | RES.,FXD,CMPSN:100 OHM,5%,0.125W | 01121 | BB1015 |
| A22A2A1R1012 | 321-0134-00 | | | RES.,FXD,FILM:243 OHM,1%,0.125W | 91637 | MFF1816G243R0F |
| A22A2A1R1013 | 321-0216-00 | | | RES.,FXD,FILM:1.74K OHM,1%,0.125W | 91637 | MFF1816G17400F |
| A22A2A1R1015 | 317-0104-00 | | | RES.,FXD,CMPSN:100K OHM,5%,0.125W | 01121 | BB1045 |
| A22A2A1R1021 | 317-0101-00 | | | RES.,FXD,CMPSN:100 OHM,5%,0.125W | 01121 | BB1015 |
| A22A2A1R1022 | 317-0101-00 | | | RES.,FXD,CMPSN:100 OHM,5%,0.125W | 01121 | BB1015 |
| A22A2A1R1023 | 317-0240-00 | | | RES.,FXD,CMPSN:24 OHM,5%,0.125W | 01121 | BB2405 |
| A22A2A1R1024 | 317-0131-00 | | | RES.,FXD,CMPSN:130 OHM,5%,0.125W | 01121 | BB1315 |
| A22A2A1R1025 | 317-0131-00 | | | RES.,FXD,CMPSN:130 OHM,5%,0.125W | 01121 | BB1315 |
| A22A2A1R1026 | 317-0181-00 | | | RES.,FXD,CMPSN:180 OHM,5%,0.125W | 01121 | BB1815 |

| Component No. | Tektronix Part No. | Serial/Model No. Eff Dscnt | Name & Description | Mfr Code | Mfr Part Number |
|---------------|--------------------|----------------------------|-----------------------------------|----------|-----------------|
| A22A2A1R1027 | 317-0121-00 | | RES.,FXD,CMPSN:120 OHM,5%,0.125W | 01121 | BB1215 |
| A22A2A1R1028 | 317-0121-00 | | RES.,FXD,CMPSN:120 OHM,5%,0.125W | 01121 | BB1215 |
| A22A2A1R1029 | 317-0240-00 | | RES.,FXD,CMPSN:24 OHM,5%,0.125W | 01121 | BB2405 |
| A22A2A1R1032 | 317-0101-00 | | RES.,FXD,CMPSN:100 OHM,5%,0.125W | 01121 | BB1015 |
| A22A2A1R1033 | 317-0101-00 | | RES.,FXD,CMPSN:100 OHM,5%,0.125W | 01121 | BB1015 |
| A22A2A1R2013 | 321-0250-00 | | RES.,FXD,FILM:3.92K OHM,1%,0.125W | 91637 | MFF1816G39200F |
| A22A2A1R2014 | 317-0243-00 | | RES.,FXD,CMPSN:24K OHM,5%,0.125W | 01121 | BB2435 |
| A22A2A1R2015 | 317-0472-00 | | RES.,FXD,CMPSN:4.7K OHM,5%,0.125W | 01121 | BB4725 |
| A22A2A1R2016 | 317-0622-00 | | RES.,FXD,CMPSN:6.2K OHM,5%,0.125W | 01121 | BB6225 |
| A22A2A1R2017 | 317-0390-00 | | RES.,FXD,CMPSN:39 OHM,5%,0.125W | 01121 | BB3905 |
| A22A2A1R2021 | 317-0103-00 | | RES.,FXD,CMPSN:10K OHM,5%,0.125W | 01121 | BB1035 |
| A22A2A1R2022 | 317-0102-00 | | RES.,FXD,CMPSN:1K OHM,5%,0.125W | 01121 | BB1025 |
| A22A2A1R2023 | 317-0390-00 | | RES.,FXD,CMPSN:39 OHM,5%,0.125W | 01121 | BB3905 |
| A22A2A1R2024 | 317-0151-00 | | RES.,FXD,CMPSN:150 OHM,5%,0.125W | 01121 | BB1515 |
| A22A2A1R2025 | 317-0101-00 | | RES.,FXD,CMPSN:100 OHM,5%,0.125W | 01121 | BB1015 |
| A22A2A1R2030 | 317-0101-00 | | RES.,FXD,CMPSN:100 OHM,5%,0.125W | 01121 | BB1015 |
| A22A2A1R2031 | 321-0265-00 | | RES.,FXD,FILM:5.62K OHM,1%,0.125W | 91637 | MFF1816G56200F |
| A22A2A1R2032 | 321-0932-00 | | RES.,FXD,FILM:2.5K OHM,1%,0.125W | 24546 | NA55D2501F |
| A22A2A1R2033 | 321-0149-00 | | RES.,FXD,FILM:348 OHM,1%,0.125W | 91637 | MFF1816G348R0F |

Replaceable Electrical Parts—496/496P Service Vol.2

| Component No. | Tektronix Part No. | Serial/Model No. Eff Dscnt | Name & Description | Mfr Code | Mfr Part Number |
|---------------|--------------------|----------------------------|---|----------|------------------|
| A22A2A2 | 670-7076-00 | | CKT BOARD ASSY:220MHZ REFERENCE | 80009 | 670-7076-00 |
| A22A2A2C1025 | 283-0157-00 | | CAP.,FXD,CER DI:7PF,5%,500V | 59660 | 8111B065COHO709D |
| A22A2A2C1029 | 283-0070-00 | | CAP.,FXD,CER DI:30PF,10%,50V | 72982 | 8121-060C0G0300K |
| A22A2A2C1036 | 283-0154-00 | | CAP.,FXD,CER DI:22PF,5%,50V | 72982 | 8111B061C0G220J |
| A22A2A2C1038 | 283-0156-00 | | CAP.,FXD,CER DI:1000PF,+100-0%,200V | 96733 | R2670 |
| A22A2A2C2015 | 283-0185-00 | | CAP.,FXD,CER DI:2.5PF,5%,50V | 72982 | 8101B057C0K0295B |
| A22A2A2C2021 | 283-0220-00 | | CAP.,FXD,CER DI:0.01UF,20%,50V | 72982 | 8121N075X7R0103M |
| A22A2A2C2023 | 283-0326-00 | | CAP.,FXD,CER DI:0.082UF,10%,50V | 72982 | 8121N075X7R0823K |
| A22A2A2C2026 | 283-0108-00 | | CAP.,FXD,CER DI:220PF,10%,200V | 56289 | 1C10C0G221K200B |
| A22A2A2C3015 | 283-0158-00 | | CAP.,FXD,CER DI:1PF,10%,50V | 51642 | 100-050-NP0-109B |
| A22A2A2C3024 | 290-0517-00 | | CAP.,FXD,ELCTLT:6.8UF,20%,35V | 56289 | 196D685X0035KA1 |
| A22A2A2CR2014 | 152-0153-04 | | SEMICONV DEVICE:SW,SI,10V,10MAMA | 01295 | PG7032 |
| A22A2A2L1025 | 108-0436-00 | | COIL,RF:FIXED,240NH | 80009 | 108-0436-00 |
| A22A2A2L1034 | 108-0733-00 | | COIL,RF:113NH | 80009 | 108-0733-00 |
| A22A2A2Q1024 | 151-0441-00 | | TRANSISTOR:SILICON,NPN | 04713 | SRF501 |
| A22A2A2Q2024 | 151-0441-00 | | TRANSISTOR:SILICON,NPN | 04713 | SRF501 |
| A22A2A2R2018 | 317-0330-00 | | RES.,FXD,CMPSN:33 OHM,5%,0.125W | 01121 | BB3305 |
| A22A2A2R2019 | 317-0431-00 | | RES.,FXD,CMPSN:430 OHM,5%,0.125W | 01121 | BB4315 |
| A22A2A2R2021 | 315-0122-00 | | RES.,FXD,CMPSN:1.2K OHM,5%,0.25W | 01121 | CB1225 |
| A22A2A2R2023 | 315-0821-00 | | RES.,FXD,CMPSN:820 OHM,5%,0.25W | 01121 | CB8215 |
| A22A2A2R2032 | 315-0331-00 | | RES.,FXD,CMPSN:330 OHM,5%,0.25W | 01121 | CB3315 |
| A22A2A2R2033 | 315-0331-00 | | RES.,FXD,CMPSN:330 OHM,5%,0.25W | 01121 | CB3315 |
| A22A2A2R3014 | 317-0301-00 | | RES.,FXD,CMPSN:300 OHM,5%,0.125W | 01121 | BB3015 |
| A22A2A2R3015 | 317-0360-00 | | RES.,FXD,CMPSN:36 OHM,5%,0.125W | 01121 | BB3605 |
| A22A2A2R3016 | 317-0360-00 | | RES.,FXD,CMPSN:36 OHM,5%,0.125W | 01121 | BB3605 |
| A22A2A2R3021 | 317-0301-00 | | RES.,FXD,CMPSN:300 OHM,5%,0.125W | 01121 | BB3015 |
| A22A2A2R3025 | 315-0470-00 | | RES.,FXD,CMPSN:47 OHM,5%,0.25W | 01121 | CB4705 |
| A22A2A2T2015 | 120-1393-00 | | TRANSFORMER,RF:BALUN | 80009 | 120-1393-00 |
| A22A2A3 | 670-7079-00 | | CKT BOARD ASSY:2200MHZ REFERENCE MIXER | 80009 | 670-7079-00 |
| A22A2A3C1013 | 283-0107-00 | | CAP.,FXD,CER DI:51PF,5%,200V | 96733 | R3017 |
| A22A2A3C1014 | 283-0108-00 | | CAP.,FXD,CER DI:220PF,10%,200V | 56289 | 1C10C0G221K200B |
| A22A2A3C1015 | 283-0108-00 | | CAP.,FXD,CER DI:220PF,10%,200V | 56289 | 1C10C0G221K200B |
| A22A2A3C1016 | 283-0139-00 | | CAP.,FXD,CER DI:150PF,20%,50V | 51642 | W100-050-X5F151M |
| A22A2A3CR1011 | 152-0322-00 | | SEMICONV DEVICE:SILICON,15V,HOT CARRIER | 50434 | 5082-2672 |
| A22A2A3CR1012 | 152-0322-00 | | SEMICONV DEVICE:SILICON,15V,HOT CARRIER | 50434 | 5082-2672 |
| A22A2A3L1013 | 108-0182-00 | | COIL,RF:0.3UH | 80009 | 108-0182-00 |
| A22A2A3L1014 | 108-0182-00 | | COIL,RF:0.3UH | 80009 | 108-0182-00 |
| A22A2A3L1015 | 108-0182-00 | | COIL,RF:0.3UH | 80009 | 108-0182-00 |
| A24A1 | 670-5957-00 | | CKT BOARD ASSY:PHASE GATE INPUT | 80009 | 670-5957-00 |
| A24A1C243 | 290-0309-00 | | CAP.,FXD,ELCTLT:100UF,20%,25V | 56289 | 109D107X0025F2 |
| A24A1C244 | 290-0309-00 | | CAP.,FXD,ELCTLT:100UF,20%,25V | 56289 | 109D107X0025F2 |
| A24A1CR243 | 152-0664-00 | | SEMICONV DEVICE:SWITCHING,SI,70V | 50434 | 5082-2800 |
| A24A1CR244 | 152-0664-00 | | SEMICONV DEVICE:SWITCHING,SI,70V | 50434 | 5082-2800 |
| A28 | 670-5561-01 | | CKT BOARD ASSY:MAIN MOTHER | 80009 | 670-5561-01 |
| A28W1038 | 198-4398-00 | | WIRE SET,ELEC: | 80009 | 198-4398-00 |

| Component No. | Tektronix Part No. | Serial/Model No. Eff | Dscont | Name & Description | Mfr Code | Mfr Part Number |
|---------------|--------------------|----------------------|---------|---|----------|------------------|
| A30 | 621-0486-00 | | | POWER SPLY ASSY: | 80009 | 621-0486-00 |
| A30 | ----- | | | (496 ONLY) | | |
| A30 | 621-0484-00 | | | POWER SPLY ASSY: | 80009 | 621-0484-00 |
| A30 | ----- | | | (496 & OPTION 30,31,32 ONLY) | | |
| A30 | 621-0487-00 | | | POWER SPLY ASSY: | 80009 | 621-0487-00 |
| A30 | ----- | | | (496P ONLY) | | |
| A30 | 621-0489-00 | | | MODULAR ASSY:HIGH VOLTAGE | 80009 | 621-0489-00 |
| A30 | ----- | | | (496P OPTION 30,31,32 ONLY) | | |
| A30B100 | 119-0830-01 | | | FAN,TUBEAXIAL:12VDC,2.4W,5250 RPM,47CFM | 000AX | MODEL 69.11.53 |
| A30FL301 | 119-1306-00 | | | FILTER,RFI:6A,250V,50-400HZ | 56289 | 6JX5431A |
| A30FL302 | 119-1390-00 | | | FILTER,RFI:POT CORE SET | 80009 | 119-1390-00 |
| A30S300 | 260-1931-00 | | | SWITCH,PRCN:SPST,NO,10(4)A,250V | 000FJ | 1005.0925 |
| A30S301 | 260-1931-00 | | | SWITCH,PRCN:SPST,NO,10(4)A,250V | 000FJ | 1005.0925 |
| A30S301 | ----- | | | (496P ONLY) | | |
| A30W300 | 198-3944-01 | | | WIRE SET,ELEC: | 80009 | 198-3944-01 |
| A30W560 | 175-3405-00 | | | CA ASSY,SP,ELEC:28,26 AWG,18.0 INCH LONG | 80009 | 175-3405-00 |
| A30W560 | ----- | | | (496P ONLY) | | |
| A30W620 | 175-3619-01 | | | CABLE ASSY,RF:50 OHM COAX,16.0 L SEMI-RGD | 80009 | 175-3619-01 |
| A30A1 | 670-5564-01 | B010100 | B010295 | CKT BOARD ASSY:MAIN POWER SUPPLY | 80009 | 670-5564-01 |
| A30A1 | 670-5564-02 | B010296 | | CKT BOARD ASSY:MAIN POWER SUPPLY | 80009 | 670-5564-02 |
| A30A1C1055 | 290-0758-00 | | | CAP.,FXD,ELCTLT:2.2UF,+50-10%,160V | 56289 | 502D227 |
| A30A1C1063 | 285-1089-00 | | | CAP.,FXD,PLSTC:0.04UF,5%,900V | 50558 | PA6-0787J |
| A30A1C1095 | 285-1196-00 | | | CAP.,FXD,PAPER:0.01UF,20%,250V | 84411 | PME 271 Y 510 |
| A30A1C2024 | 283-0330-00 | | | CAP.,FXD,CER DI:100PF,5%,50V | 51642 | 150-050-NP0-101J |
| A30A1C2030 | 283-0238-00 | | | CAP.,FXD,CER DI:0.01UF,10%,50V | 72982 | 8121N075X7R0103K |
| A30A1C2032 | 283-0330-00 | | | CAP.,FXD,CER DI:100PF,5%,50V | 51642 | 150-050-NP0-101J |
| A30A1C2033 | 283-0177-00 | | | CAP.,FXD,CER DI:1UF,+80-20%,25V | 56289 | 2C20Z5U105Z025B |
| A30A1C2034 | 283-0330-00 | | | CAP.,FXD,CER DI:100PF,5%,50V | 51642 | 150-050-NP0-101J |
| A30A1C2035 | 283-0156-00 | | | CAP.,FXD,CER DI:1000PF,+100-0%,200V | 96733 | R2670 |
| A30A1C2041 | 290-0758-00 | | | CAP.,FXD,ELCTLT:2.2UF,+50-10%,160V | 56289 | 502D227 |
| A30A1C2043 | 290-0800-00 | | | CAP.,FXD,ELCTLT:250UF,+100-10%,20V | 56289 | 672D257H0200M5C |
| A30A1C2045 | 290-0758-00 | | | CAP.,FXD,ELCTLT:2.2UF,+50-10%,160V | 56289 | 502D227 |
| A30A1C2053 | 290-0758-00 | | | CAP.,FXD,ELCTLT:2.2UF,+50-10%,160V | 56289 | 502D227 |
| A30A1C2057 | 290-0758-00 | | | CAP.,FXD,ELCTLT:2.2UF,+50-10%,160V | 56289 | 502D227 |
| A30A1C2096 | 285-1196-00 | | | CAP.,FXD,PAPER:0.01UF,20%,250V | 84411 | PME 271 Y 510 |
| A30A1C3031 | 283-0330-00 | | | CAP.,FXD,CER DI:100PF,5%,50V | 51642 | 150-050-NP0-101J |
| A30A1C3033 | 283-0177-00 | | | CAP.,FXD,CER DI:1UF,+80-20%,25V | 56289 | 2C20Z5U105Z025B |
| A30A1C3034 | 283-0330-00 | | | CAP.,FXD,CER DI:100PF,5%,50V | 51642 | 150-050-NP0-101J |
| A30A1C3035 | 283-0330-00 | | | CAP.,FXD,CER DI:100PF,5%,50V | 51642 | 150-050-NP0-101J |
| A30A1C3036 | 283-0177-00 | | | CAP.,FXD,CER DI:1UF,+80-20%,25V | 56289 | 2C20Z5U105Z025B |
| A30A1C3037 | 283-0177-00 | | | CAP.,FXD,CER DI:1UF,+80-20%,25V | 56289 | 2C20Z5U105Z025B |
| A30A1C3041 | 290-0770-00 | | | CAP.,FXD,ELCTLT:100UF,+50-10%,25V | 56289 | 502D230 |
| A30A1C3051 | 290-0771-00 | | | CAP.,FXD,ELCTLT:220UF,+50-10%,10VDC | 56289 | 502D231 |
| A30A1C3057 | 290-0852-00 | | | CAP.,FXD,ELCTLT:1UF,+75-10%,350V | 54473 | ECE-A2350V1 |
| A30A1C3064 | 285-1196-00 | | | CAP.,FXD,PAPER:0.01UF,20%,250V | 84411 | PME 271 Y 510 |
| A30A1C3071 | 285-0981-00 | | | CAP.,FXD,PLSTC:2.0UF,10%,400V | 14752 | C-2585 |
| A30A1C3074 | 285-1040-00 | | | CAP.,FXD,PLSTC:0.0012UF,10%,4000V | 56289 | 430P522 |
| A30A1C3085 | 285-1196-00 | | | CAP.,FXD,PAPER:0.01UF,20%,250V | 84411 | PME 271 Y 510 |
| A30A1C3089 | 285-1196-00 | | | CAP.,FXD,PAPER:0.01UF,20%,250V | 84411 | PME 271 Y 510 |
| A30A1C4012 | 290-0745-00 | | | CAP.,FXD,ELCTLT:22UF,+50-10%,25V | 54473 | ECE-A25V22L |
| A30A1C4014 | 283-0111-00 | | | CAP.,FXD,CER DI:0.1UF,20%,50V | 56289 | 273C11 |
| A30A1C4015 | 283-0211-00 | | | CAP.,FXD,CER DI:0.1UF,10%,200V | 04222 | SR06C104KAA |

Replaceable Electrical Parts—496/496P Service Vol.2

| Component No. | Tektronix Part No. | Serial/Model No. Eff Dscnt | Name & Description | Mfr Code | Mfr Part Number |
|---------------|--------------------|----------------------------|--------------------------------------|----------|------------------|
| A30A1C4016 | 283-0111-00 | | CAP.,FXD,CER DI:0.1UF,20%,50V | 56289 | 273C11 |
| A30A1C4022 | 290-0745-00 | | CAP.,FXD,ELCTL:22UF,+50-10%,25V | 54473 | ECE-A25V22L |
| A30A1C4023 | 290-0942-00 | | CAP.,FXD,ELCTL:100UF,+100-10%,25V | 56289 | 672D107H025CG2C |
| A30A1C4024 | 283-0111-00 | | CAP.,FXD,CER DI:0.1UF,20%,50V | 56289 | 273C11 |
| A30A1C4032 | 283-0111-00 | | CAP.,FXD,CER DI:0.1UF,20%,50V | 56289 | 273C11 |
| A30A1C4033 | 290-0770-00 | | CAP.,FXD,ELCTL:100UF,+50-10%,25V | 56289 | 502D230 |
| A30A1C4035 | 290-0745-00 | | CAP.,FXD,ELCTL:22UF,+50-10%,25V | 54473 | ECE-A25V22L |
| A30A1C4036 | 283-0111-00 | | CAP.,FXD,CER DI:0.1UF,20%,50V | 56289 | 273C11 |
| A30A1C4044 | 290-0800-00 | | CAP.,FXD,ELCTL:250UF,+100-10%,20V | 56289 | 672D257H0200M5C |
| A30A1C4046 | 290-0800-00 | | CAP.,FXD,ELCTL:250UF,+100-10%,20V | 56289 | 672D257H0200M5C |
| A30A1C4051 | 290-0800-00 | | CAP.,FXD,ELCTL:250UF,+100-10%,20V | 56289 | 672D257H0200M5C |
| A30A1C4055 | 290-0800-00 | | CAP.,FXD,ELCTL:250UF,+100-10%,20V | 56289 | 672D257H0200M5C |
| A30A1C4082 | 283-0263-00 | | CAP.,FXD,CER DI:0.0022UF,20%,3000V | 59660 | 828556Y5R0222M |
| A30A1C5010 | 283-0008-00 | | CAP.,FXD,CER DI:0.1UF,20%,500V | 56289 | 3C37X7R104M500B |
| A30A1C5012 | 290-0758-00 | | CAP.,FXD,ELCTL:2.2UF,+50-10%,160V | 56289 | 502D227 |
| A30A1C5017 | 283-0177-00 | | CAP.,FXD,CER DI:1UF,+80-20%,25V | 56289 | 2C20Z5U105Z025B |
| A30A1C5018 | 290-0800-00 | | CAP.,FXD,ELCTL:250UF,+100-10%,20V | 56289 | 672D257H0200M5C |
| A30A1C5021 | 283-0111-00 | | CAP.,FXD,CER DI:0.1UF,20%,50V | 56289 | 273C11 |
| A30A1C5022 | 290-0745-00 | | CAP.,FXD,ELCTL:22UF,+50-10%,25V | 54473 | ECE-A25V22L |
| A30A1C5038 | 285-0699-00 | | CAP.,FXD,PLSTC:0.0047UF,10%,100V | 56289 | 410P110 |
| A30A1C5051 | 290-0800-00 | | CAP.,FXD,ELCTL:250UF,+100-10%,20V | 56289 | 672D257H0200M5C |
| A30A1C5054 | 290-0800-00 | | CAP.,FXD,ELCTL:250UF,+100-10%,20V | 56289 | 672D257H0200M5C |
| A30A1C5071 | 283-0111-00 | | CAP.,FXD,CER DI:0.1UF,20%,50V | 56289 | 273C11 |
| A30A1C5072 | 290-0804-00 | | CAP.,FXD,ELCTL:10UF,+50-10%,25V | 55680 | ULA1E100TEA |
| A30A1C5082 | 283-0263-00 | | CAP.,FXD,CER DI:0.0022UF,20%,3000V | 59660 | 828556Y5R0222M |
| A30A1C5084 | 290-0114-00 | | CAP.,FXD,ELCTL:47UF,20%,6V | 56289 | 150D476X0006B2 |
| A30A1C5085 | 290-0114-00 | | CAP.,FXD,ELCTL:47UF,20%,6V | 56289 | 150D476X0006B2 |
| A30A1C5113 | 283-0211-00 | | CAP.,FXD,CER DI:0.1UF,10%,200V | 04222 | SR06C104KAA |
| A30A1C6010 | 283-0111-00 | | CAP.,FXD,CER DI:0.1UF,20%,50V | 56289 | 273C11 |
| A30A1C6019 | 283-0177-00 | | CAP.,FXD,CER DI:1UF,+80-20%,25V | 56289 | 2C20Z5U105Z025B |
| A30A1C6025 | 290-0523-00 | | CAP.,FXD,ELCTL:2.2UF,20%,20V | 56289 | 196D225X0020HA1 |
| A30A1C6039 | 283-0204-00 | | CAP.,FXD,CER DI:0.01UF,20%,50V | 96733 | R2676 |
| A30A1C6048 | 283-0203-00 | | CAP.,FXD,CER DI:0.47UF,20%,50V | 72982 | 8131M058Z5U0474M |
| A30A1C6053 | 283-0203-00 | | CAP.,FXD,CER DI:0.47UF,20%,50V | 72982 | 8131M058Z5U0474M |
| A30A1C6055 | 283-0620-00 | | CAP.,FXD,MICA D:470PF,1%,300V | 00853 | D155F4771FO |
| A30A1C6058 | 283-0620-00 | | CAP.,FXD,MICA D:470PF,1%,300V | 00853 | D155F4771FO |
| A30A1C6059 | 283-0111-00 | | CAP.,FXD,CER DI:0.1UF,20%,50V | 56289 | 273C11 |
| A30A1C6062 | 283-0203-00 | | CAP.,FXD,CER DI:0.47UF,20%,50V | 72982 | 8131M058Z5U0474M |
| A30A1C6068 | 283-0111-00 | | CAP.,FXD,CER DI:0.1UF,20%,50V | 56289 | 273C11 |
| A30A1C6069 | 283-0204-00 | | CAP.,FXD,CER DI:0.01UF,20%,50V | 96733 | R2676 |
| A30A1C6071 | 283-0067-00 | | CAP.,FXD,CER DI:0.001UF,10%,200V | 59660 | 835-515-Z5D0102K |
| A30A1C6072 | 283-0067-00 | | CAP.,FXD,CER DI:0.001UF,10%,200V | 59660 | 835-515-Z5D0102K |
| A30A1C6101 | 290-0829-00 | | CAP.,FXD,ELCTL:750UF,+100-10%,200V | 90201 | FPF751SR2J3P2 |
| A30A1C6111 | 290-0829-00 | | CAP.,FXD,ELCTL:750UF,+100-10%,200V | 90201 | FPF751SR2J3P2 |
| A30A1CR1022 | 152-0400-00 | | SEMICONV DEVICE:SILICON,400V,1A | 80009 | 152-0400-00 |
| A30A1CR1034 | 152-0400-00 | | SEMICONV DEVICE:SILICON,400V,1A | 80009 | 152-0400-00 |
| A30A1CR1042 | 152-0400-00 | | SEMICONV DEVICE:SILICON,400V,1A | 80009 | 152-0400-00 |
| A30A1CR2027 | 152-0141-02 | | SEMICONV DEVICE:SILICON,30V,150MA | 01295 | 1N4152R |
| A30A1CR2028 | 152-0141-02 | | SEMICONV DEVICE:SILICON,30V,150MA | 01295 | 1N4152R |
| A30A1CR2035 | 152-0141-02 | | SEMICONV DEVICE:SILICON,30V,150MA | 01295 | 1N4152R |
| A30A1CR2061 | 152-0661-00 | | SEMICONV DEVICE:RECT,SI,600V,3A,FAST | 04713 | MR856 |
| A30A1CR2063 | 152-0661-00 | | SEMICONV DEVICE:RECT,SI,600V,3A,FAST | 04713 | MR856 |
| A30A1CR2065 | 152-0661-00 | | SEMICONV DEVICE:RECT,SI,600V,3A,FAST | 04713 | MR856 |
| A30A1CR2079 | 152-0661-00 | | SEMICONV DEVICE:RECT,SI,600V,3A,FAST | 04713 | MR856 |
| A30A1CR3027 | 152-0141-02 | | SEMICONV DEVICE:SILICON,30V,150MA | 01295 | 1N4152R |

| Component No. | Tektronix Part No. | Serial/Model No. Eff | Dscont | Name & Description | Mfr Code | Mfr Part Number |
|---------------|--------------------|----------------------|---------|---|----------|-----------------|
| A30A1CR3028 | 152-0141-02 | | | SEMICONV DEVICE:SILICON,30V,150MA | 01295 | 1N4152R |
| A30A1CR3035 | 152-0141-02 | | | SEMICONV DEVICE:SILICON,30V,150MA | 01295 | 1N4152R |
| A30A1CR3052 | 152-0400-00 | | | SEMICONV DEVICE:SILICON,400V,1A | 80009 | 152-0400-00 |
| A30A1CR3053 | 152-0400-00 | | | SEMICONV DEVICE:SILICON,400V,1A | 80009 | 152-0400-00 |
| A30A1CR3054 | 152-0400-00 | | | SEMICONV DEVICE:SILICON,400V,1A | 80009 | 152-0400-00 |
| A30A1CR3055 | 152-0400-00 | | | SEMICONV DEVICE:SILICON,400V,1A | 80009 | 152-0400-00 |
| A30A1CR3056 | 152-0400-00 | | | SEMICONV DEVICE:SILICON,400V,1A | 80009 | 152-0400-00 |
| A30A1CR3096 | 152-0661-00 | | | SEMICONV DEVICE:RECT,SI,600V,3A,FAST | 04713 | MR856 |
| A30A1CR3098 | 152-0661-00 | | | SEMICONV DEVICE:RECT,SI,600V,3A,FAST | 04713 | MR856 |
| A30A1CR4021 | 152-0066-00 | | | SEMICONV DEVICE:SILICON,400V,750MA | 14433 | LG4016 |
| A30A1CR4034 | 152-0066-00 | | | SEMICONV DEVICE:SILICON,400V,750MA | 14433 | LG4016 |
| A30A1CR4037 | 152-0066-00 | | | SEMICONV DEVICE:SILICON,400V,750MA | 14433 | LG4016 |
| A30A1CR4053 | 152-0640-00 | | | SEMICONV DEVICE:SILICON,35V,30A,DO-4 | 01281 | SD-4101 |
| A30A1CR4057 | 152-0640-00 | | | SEMICONV DEVICE:SILICON,35V,30A,DO-4 | 01281 | SD-4101 |
| A30A1CR4061 | 152-0720-00 | | | SEMICONV DEVICE:SILICON,100V,7A | 80009 | 152-0720-00 |
| A30A1CR4062 | 152-0720-00 | | | SEMICONV DEVICE:SILICON,100V,7A | 80009 | 152-0720-00 |
| A30A1CR4063 | 152-0720-00 | | | SEMICONV DEVICE:SILICON,100V,7A | 80009 | 152-0720-00 |
| A30A1CR4065 | 152-0720-00 | | | SEMICONV DEVICE:SILICON,100V,7A | 80009 | 152-0720-00 |
| A30A1CR4094 | 152-0661-00 | | | SEMICONV DEVICE:RECT,SI,600V,3A,FAST | 04713 | MR856 |
| A30A1CR4095 | 152-0661-00 | | | SEMICONV DEVICE:RECT,SI,600V,3A,FAST | 04713 | MR856 |
| A30A1CR5031 | 152-0141-02 | | | SEMICONV DEVICE:SILICON,30V,150MA | 01295 | 1N4152R |
| A30A1CR5052 | 152-0721-00 | | | SEMICONV DEVICE:RECT,SI,100V,12A,FAST REC | 25403 | BYW30-100U |
| A30A1CR5055 | 152-0742-00 | | | SEMICONV DEVICE:RECT,SI,100V,12A | 80009 | 152-0742-00 |
| A30A1CR5062 | 152-0721-00 | | | SEMICONV DEVICE:RECT,SI,100V,12A,FAST REC | 25403 | BYW30-100U |
| A30A1CR5065 | 152-0742-00 | | | SEMICONV DEVICE:RECT,SI,100V,12A | 80009 | 152-0742-00 |
| A30A1CR6014 | 152-0141-02 | | | SEMICONV DEVICE:SILICON,30V,150MA | 01295 | 1N4152R |
| A30A1CR6015 | 152-0141-02 | | | SEMICONV DEVICE:SILICON,30V,150MA | 01295 | 1N4152R |
| A30A1CR6016 | 152-0066-00 | | | SEMICONV DEVICE:SILICON,400V,750MA | 14433 | LG4016 |
| A30A1CR6018 | 152-0141-02 | | | SEMICONV DEVICE:SILICON,30V,150MA | 01295 | 1N4152R |
| A30A1CR6047 | 152-0141-02 | | | SEMICONV DEVICE:SILICON,30V,150MA | 01295 | 1N4152R |
| A30A1CR6049 | 152-0141-02 | | | SEMICONV DEVICE:SILICON,30V,150MA | 01295 | 1N4152R |
| A30A1CR6052 | 152-0141-02 | | | SEMICONV DEVICE:SILICON,30V,150MA | 01295 | 1N4152R |
| A30A1CR6053 | 152-0141-02 | | | SEMICONV DEVICE:SILICON,30V,150MA | 01295 | 1N4152R |
| A30A1CR6055 | 152-0141-02 | | | SEMICONV DEVICE:SILICON,30V,150MA | 01295 | 1N4152R |
| A30A1CR6061 | 152-0141-02 | | | SEMICONV DEVICE:SILICON,30V,150MA | 01295 | 1N4152R |
| A30A1CR6071 | 152-0400-00 | | | SEMICONV DEVICE:SILICON,400V,1A | 80009 | 152-0400-00 |
| A30A1CR6072 | 152-0141-02 | | | SEMICONV DEVICE:SILICON,30V,150MA | 01295 | 1N4152R |
| A30A1CR6073 | 152-0400-00 | | | SEMICONV DEVICE:SILICON,400V,1A | 80009 | 152-0400-00 |
| A30A1CR6074 | 152-0141-02 | | | SEMICONV DEVICE:SILICON,30V,150MA | 01295 | 1N4152R |
| A30A1DS5112 | 150-0035-00 | | | LAMP,GLOW:90V,0.3MA,AID-T,WIRE LD | 000LJ | JH005/3011JA |
| A30A1E1094 | 119-0181-00 | | | ARSR,ELEC SURGE:230V,GAS FILLED | 74276 | CG230L |
| A30A1E2095 | 119-0181-00 | | | ARSR,ELEC SURGE:230V,GAS FILLED | 74276 | CG230L |
| A30A1F1013 | 159-0025-00 | | | FUSE,CARTRIDGE:3AG,0.5A,250V,FAST-BLOW | 71400 | AGC 1/2 |
| A30A1F1017 | 159-0021-00 | | | FUSE,CARTRIDGE:3AG,2A,250V,FAST-BLOW | 71400 | AGC 2 |
| A30A1F1033 | 159-0062-00 | B010100 | B010119 | FUSE,CARTRIDGE:8AG,0.062A,250V | 71400 | AGX1/16 |
| A30A1F1033 | 159-0213-00 | B010120 | | FUSE,CARTRIDGE:0.062A,250V,FAST BLO | 71400 | 1/16A |
| A30A1F1035 | 159-0052-00 | | | FUSE,CARTRIDGE:3AG,0.125A,250V,FAST-BLOW | 71400 | AGC 1/8 |
| A30A1F2013 | 159-0042-00 | | | FUSE,CARTRIDGE:3AG,0.75A,250V,FAST-BLOW | 71400 | AGC 3/4 |
| A30A1F2013 | ----- | | | (496 ONLY) | | |
| A30A1F2013 | 159-0116-00 | | | FUSE,CARTRIDGE:1A,125V,0.4 SEC,0.17 LEADS | 75915 | 273001 |
| A30A1F2013 | ----- | | | (496P ONLY) | | |
| A30A1F3038 | 159-0116-00 | B010100 | B010295 | FUSE,CARTRIDGE:1A,125V,0.4 SEC,0.17 LEADS | 75915 | 273001 |
| A30A1F3038 | ----- | | | (496P ONLY) | | |
| A30A1F3038 | 159-0122-00 | B010100 | B010294 | FUSE,CARTRIDGE:0.75A,125V,0.04 SEC | 75915 | 279.750 |
| A30A1F3038 | ----- | | | (496 ONLY) | | |

Replaceable Electrical Parts—496/496P Service Vol.2

| Component No. | Tektronix Part No. | Serial/Model No. Eff Dscnt | Name & Description | Mfr Code | Mfr Part Number |
|---------------|--------------------|----------------------------|-----------------------------------|----------|------------------|
| A30A1F3038 | 159-0128-00 | B010295 | FUSE,CARTRIDGE:2A,125V,5 SEC | 75915 | 273002 |
| A30A1F3038 | ----- | | (496 ONLY) | | |
| A30A1J1091 | 131-2250-00 | | CONN,RCPT,ELEC:CKT BD,5 MALE | 27264 | 09-61-1053 |
| A30A1L1051 | 108-0960-00 | | COIL,RF:FIXED,3.9MH TOROIDAL | 80009 | 108-0960-00 |
| A30A1L1081 | 108-1052-00 | | COIL,RF:FIXED,580UH | 80009 | 108-1052-00 |
| A30A1L2048 | 108-0959-00 | | COIL,RF:FIXED,150MH | 80009 | 108-0959-00 |
| A30A1L3012 | 108-0795-00 | | COIL,RF:FIXED,2NH | 80009 | 108-0795-00 |
| A30A1L3043 | 108-0959-00 | | COIL,RF:FIXED,150MH | 80009 | 108-0959-00 |
| A30A1L3047 | 108-0958-00 | | COIL,RF:FIXED,50UH | 80009 | 108-0958-00 |
| A30A1L3088 | 108-0961-00 | | COIL,RF:FIXED,140NH,TOROIDAL | 80009 | 108-0961-00 |
| A30A1L4042 | 108-0958-00 | | COIL,RF:FIXED,50UH | 80009 | 108-0958-00 |
| A30A1Q2021 | 151-0625-00 | | TRANSISTOR:SILICON,PNP | 03508 | D45H11 |
| A30A1Q2023 | 151-0710-00 | | TRANSISTOR:SILICON,NPN | 27014 | 2N6715/92 PU01A |
| A30A1Q2024 | 151-0625-00 | | TRANSISTOR:SILICON,PNP | 03508 | D45H11 |
| A30A1Q2031 | 151-0302-00 | | TRANSISTOR:SILICON,NPN | 07263 | S038487 |
| A30A1Q2061 | 151-0703-00 | | TRANSISTOR:SILICON,NPN | 80009 | 151-0703-00 |
| A30A1Q2071 | 151-0703-00 | | TRANSISTOR:SILICON,NPN | 80009 | 151-0703-00 |
| A30A1Q3022 | 151-0625-00 | | TRANSISTOR:SILICON,PNP | 03508 | D45H11 |
| A30A1Q3023 | 151-0301-00 | | TRANSISTOR:SILICON,PNP | 27014 | 2N2907A |
| A30A1Q5013 | 151-0622-00 | | TRANSISTOR:SILICON,PNP | 27014 | 92PU51A |
| A30A1Q5023 | 151-0302-00 | | TRANSISTOR:SILICON,NPN | 07263 | S038487 |
| A30A1Q5032 | 151-0301-00 | | TRANSISTOR:SILICON,PNP | 27014 | 2N2907A |
| A30A1Q6034 | 151-0302-00 | | TRANSISTOR:SILICON,NPN | 07263 | S038487 |
| A30A1Q6077 | 151-0444-00 | | TRANSISTOR:SILICON,NPN | 04713 | SPS797 |
| A30A1Q6078 | 151-0444-00 | | TRANSISTOR:SILICON,NPN | 04713 | SPS797 |
| A30A1R2015 | 308-0463-00 | | RES.,FXD,WW:0.3 OHM,1%,3W | 91637 | RS2B-KR3000F |
| A30A1R2017 | 308-0643-00 | | RES.,FXD,WW:0.1 OHM,3%,3W | 91637 | RS2B-ER1000H |
| A30A1R2022 | 315-0562-00 | | RES.,FXD,CMPSN:5.6K OHM,5%,0.25W | 01121 | CB5625 |
| A30A1R2025 | 315-0122-00 | | RES.,FXD,CMPSN:1.2K OHM,5%,0.25W | 01121 | CB1225 |
| A30A1R2026 | 321-0376-00 | | RES.,FXD,FILM:80.6K OHM,1%,0.125W | 91637 | MFF1816G80601F |
| A30A1R2030 | 315-0242-00 | | RES.,FXD,CMPSN:2.4K OHM,5%,0.25W | 01121 | CB2425 |
| A30A1R2031 | 307-0106-00 | | RES.,FXD,CMPSN:4.7 OHM,5%,0.25W | 01121 | CB47G5 |
| A30A1R2032 | 321-0193-00 | | RES.,FXD,FILM:1K OHM,1%,0.125W | 91637 | MFF1816G10000F |
| A30A1R2034 | 315-0102-00 | | RES.,FXD,CMPSN:1K OHM,5%,0.25W | 01121 | CB1025 |
| A30A1R2035 | 315-0621-00 | | RES.,FXD,CMPSN:620 OHM,5%,0.25W | 01121 | CB6215 |
| A30A1R2036 | 321-0289-07 | | RES.,FXD,FILM:10K OHM,0.1%,0.125W | 91637 | MFF1816C10001B |
| A30A1R2037 | 321-0318-07 | | RES.,FXD,FILM:20K OHM,0.1%,0.125W | 24546 | NE55E2002B |
| A30A1R2038 | 321-0340-00 | | RES.,FXD,FILM:34K OHM,1%,0.125W | 91637 | MFF1816G34001F |
| A30A1R2039 | 321-0315-00 | | RES.,FXD,FILM:18.7K OHM,1%,0.125W | 91637 | CMF55-116G18701F |
| A30A1R2057 | 315-0105-00 | | RES.,FXD,CMPSN:1M OHM,5%,0.25W | 01121 | CB1055 |
| A30A1R2073 | 315-0105-00 | | RES.,FXD,CMPSN:1M OHM,5%,0.25W | 01121 | CB1055 |
| A30A1R3019 | 308-0463-00 | | RES.,FXD,WW:0.3 OHM,1%,3W | 91637 | RS2B-KR3000F |
| A30A1R3021 | 315-0102-00 | | RES.,FXD,CMPSN:1K OHM,5%,0.25W | 01121 | CB1025 |
| A30A1R3022 | 307-0106-00 | | RES.,FXD,CMPSN:4.7 OHM,5%,0.25W | 01121 | CB47G5 |
| A30A1R3023 | 315-0102-00 | | RES.,FXD,CMPSN:1K OHM,5%,0.25W | 01121 | CB1025 |
| A30A1R3024 | 301-0102-00 | | RES.,FXD,CMPSN:1K OHM,5%,0.50W | 01121 | EB1025 |
| A30A1R3025 | 315-0102-00 | | RES.,FXD,CMPSN:1K OHM,5%,0.25W | 01121 | CB1025 |
| A30A1R3026 | 315-0271-00 | | RES.,FXD,CMPSN:270 OHM,5%,0.25W | 01121 | CB2715 |
| A30A1R3028 | 321-0344-00 | | RES.,FXD,FILM:37.4K OHM,1%,0.125W | 91637 | MFF1816G37401F |
| A30A1R3029 | 307-0106-00 | | RES.,FXD,CMPSN:4.7 OHM,5%,0.25W | 01121 | CB47G5 |
| A30A1R3031 | 321-0372-00 | | RES.,FXD,FILM:73.2K OHM,1%,0.125W | 91637 | MFF1816G73201F |
| A30A1R3032 | 321-0193-00 | | RES.,FXD,FILM:1K OHM,1%,0.125W | 91637 | MFF1816G10000F |
| A30A1R3033 | 307-0106-00 | | RES.,FXD,CMPSN:4.7 OHM,5%,0.25W | 01121 | CB47G5 |
| A30A1R3034 | 321-0378-00 | | RES.,FXD,FILM:84.5K OHM,1%,0.125W | 91637 | MFF1816G84501F |
| A30A1R3036 | 321-0193-00 | | RES.,FXD,FILM:1K OHM,1%,0.125W | 91637 | MFF1816G10000F |

| Component No. | Tektronix Part No. | Serial/Model No. Eff Dscont | Name & Description | Mfr Code | Mfr Part Number |
|---------------|--------------------|-----------------------------|------------------------------------|----------|-----------------|
| A30A1R3037 | 321-0604-00 | | RES.,FXD,FILM:30K OHM,0.25%,0.125W | 91637 | MFF1816D30001C |
| A30A1R3039 | 321-0289-03 | | RES.,FXD,FILM:10K OHM,0.25%,0.125W | 91637 | MFF1816D10001C |
| A30A1R3084 | 303-0271-00 | | RES.,FXD,CMPSN:270 OHM,5%,1W | 01121 | GB2715 |
| A30A1R3089 | 301-0433-00 | | RES.,FXD,CMPSN:43K OHM,5%,0.50W | 01121 | EB4335 |
| A30A1R3091 | 303-0433-00 | | RES.,FXD,CMPSN:43K OHM,5%,1W | 01121 | GB4335 |
| A30A1R4017 | 301-0823-00 | | RES.,FXD,CMPSN:82K OHM,5%,0.50W | 01121 | EB8235 |
| A30A1R4018 | 301-0165-00 | | RES.,FXD,CMPSN:1.6M OHM,5%,0.50W | 01121 | EB1655 |
| A30A1R4031 | 315-0102-00 | | RES.,FXD,CMPSN:1K OHM,5%,0.25W | 01121 | CB1025 |
| A30A1R4083 | 315-0471-00 | | RES.,FXD,CMPSN:470 OHM,5%,0.25W | 01121 | CB4715 |
| A30A1R4092 | 308-0054-00 | | RES.,FXD,WW:10K OHM,5%,5W | 91637 | CW5-10001J |
| A30A1R5014 | 321-0193-00 | | RES.,FXD,FILM:1K OHM,1%,0.125W | 91637 | MFF1816G10000F |
| A30A1R5015 | 321-0353-00 | | RES.,FXD,FILM:46.4K OHM,1%,0.125W | 91637 | MFF1816G46401F |
| A30A1R5016 | 307-0103-00 | | RES.,FXD,CMPSN:2.7 OHM,5%,0.25W | 01121 | CB27G5 |
| A30A1R5019 | 315-0362-00 | | RES.,FXD,CMPSN:3.6K OHM,5%,0.25W | 01121 | CB3625 |
| A30A1R5033 | 315-0182-00 | | RES.,FXD,CMPSN:1.8K OHM,5%,0.25W | 01121 | CB1825 |
| A30A1R5034 | 315-0222-00 | | RES.,FXD,CMPSN:2.2K OHM,5%,0.25W | 01121 | CB2225 |
| A30A1R5035 | 315-0622-00 | | RES.,FXD,CMPSN:6.2K OHM,5%,0.25W | 01121 | CB6225 |
| A30A1R5036 | 321-0381-00 | | RES.,FXD,FILM:90.9K OHM,1%,0.125W | 91637 | MFF1816G90901F |
| A30A1R5039 | 301-0102-00 | | RES.,FXD,CMPSN:1K OHM,5%,0.50W | 01121 | EB1025 |
| A30A1R5043 | 315-0103-00 | | RES.,FXD,CMPSN:10K OHM,5%,0.25W | 01121 | CB1035 |
| A30A1R5047 | 321-0327-00 | | RES.,FXD,FILM:24.9K OHM,1%,0.125W | 91637 | MFF1816G24901F |
| A30A1R5083 | 307-0023-00 | | RES.,FXD,CMPSN:4.7 OHM,10%,0.50W | 01121 | EB47G1 |
| A30A1R5086 | 307-0023-00 | | RES.,FXD,CMPSN:4.7 OHM,10%,0.50W | 01121 | EB47G1 |
| A30A1R5087 | 308-0154-00 | | RES.,FXD,WW:25K OHM,5%,10W | 91637 | H11205Z725001J |
| A30A1R5111 | 301-0565-00 | | RES.,FXD,CMPSN:5.6M OHM,5%,0.50W | 01121 | EB5655 |
| A30A1R6011 | 321-0631-00 | | RES.,FXD,FILM:12.5K OHM,1%,0.125W | 91637 | MFF1816G12501F |
| A30A1R6013 | 307-0106-00 | | RES.,FXD,CMPSN:4.7 OHM,5%,0.25W | 01121 | CB47G5 |
| A30A1R6017 | 307-0106-00 | | RES.,FXD,CMPSN:4.7 OHM,5%,0.25W | 01121 | CB47G5 |
| A30A1R6019 | 321-0289-03 | | RES.,FXD,FILM:10K OHM,0.25%,0.125W | 91637 | MFF1816D10001C |
| A30A1R6020 | 321-0183-00 | | RES.,FXD,FILM:787 OHM,1%,0.125W | 91637 | MFF1816G787R0F |
| A30A1R6021 | 315-0361-00 | | RES.,FXD,CMPSN:360 OHM,5%,0.25W | 01121 | CB3615 |
| A30A1R6022 | 315-0103-00 | | RES.,FXD,CMPSN:10K OHM,5%,0.25W | 01121 | CB1035 |
| A30A1R6023 | 321-0227-00 | | RES.,FXD,FILM:2.26K OHM,1%,0.125W | 91637 | MFF1816G22600F |
| A30A1R6024 | 321-0289-03 | | RES.,FXD,FILM:10K OHM,0.25%,0.125W | 91637 | MFF1816D10001C |
| A30A1R6028 | 311-1564-00 | | RES.,VAR,NONWIR:TRMR,500 OHM,0.5W | 73138 | 91-86-0 |
| A30A1R6029 | 315-0151-00 | | RES.,FXD,CMPSN:150 OHM,5%,0.25W | 01121 | CB1515 |
| A30A1R6032 | 321-0317-00 | | RES.,FXD,FILM:19.6K OHM,1%,0.125W | 91637 | MFF1816G19601F |
| A30A1R6033 | 315-0103-00 | | RES.,FXD,CMPSN:10K OHM,5%,0.25W | 01121 | CB1035 |
| A30A1R6035 | 315-0105-00 | | RES.,FXD,CMPSN:1M OHM,5%,0.25W | 01121 | CB1055 |
| A30A1R6037 | 321-0816-00 | | RES.,FXD,FILM:5K OHM,1%,0.125W | 24546 | NA55D5001F |
| A30A1R6038 | 321-0299-00 | | RES.,FXD,FILM:12.7K OHM,1%,0.125W | 91637 | MFF1816G12701F |
| A30A1R6041 | 315-0512-00 | | RES.,FXD,CMPSN:5.1K OHM,5%,0.25W | 01121 | CB5125 |
| A30A1R6045 | 315-0103-00 | | RES.,FXD,CMPSN:10K OHM,5%,0.25W | 01121 | CB1035 |
| A30A1R6046 | 315-0820-00 | | RES.,FXD,CMPSN:82 OHM,5%,0.25W | 01121 | CB8205 |
| A30A1R6048 | 321-0327-00 | | RES.,FXD,FILM:24.9K OHM,1%,0.125W | 91637 | MFF1816G24901F |
| A30A1R6052 | 321-0250-00 | | RES.,FXD,FILM:3.92K OHM,1%,0.125W | 91637 | MFF1816G39200F |
| A30A1R6056 | 321-0337-00 | | RES.,FXD,FILM:31.6K OHM,1%,0.125W | 91637 | MFF1816G31601F |
| A30A1R6057 | 321-0321-00 | | RES.,FXD,FILM:21.5K OHM,1%,0.125W | 91637 | MFF1816G21501F |
| A30A1R6058 | 321-0286-00 | | RES.,FXD,FILM:9.31K OHM,1%,0.125W | 91637 | MFF1816G93100F |
| A30A1R6061 | 311-0644-00 | | RES.,VAR,NONWIR:20K OHM,10%,0.50W | 73138 | 82-34-1 |
| A30A1R6063 | 315-0205-00 | | RES.,FXD,CMPSN:2M OHM,5%,0.25W | 01121 | CB2055 |
| A30A1R6068 | 321-0230-00 | | RES.,FXD,FILM:2.43K OHM,1%,0.125W | 91637 | MFF1816G24300F |
| A30A1R6073 | 315-0122-00 | | RES.,FXD,CMPSN:1.2K OHM,5%,0.25W | 01121 | CB1225 |
| A30A1R6074 | 315-0103-00 | | RES.,FXD,CMPSN:10K OHM,5%,0.25W | 01121 | CB1035 |
| A30A1R6075 | 315-0122-00 | | RES.,FXD,CMPSN:1.2K OHM,5%,0.25W | 01121 | CB1225 |

| Component No. | Tektronix Part No. | Serial/Model No. Eff Dscnt | Name & Description | Mfr Code | Mfr Part Number |
|---------------|--------------------|----------------------------|--|----------|-----------------|
| A30A1R6076 | 315-0103-00 | | RES.,FXD,CMPSN:10K OHM,5%,0.25W | 01121 | CB1035 |
| A30A1R6091 | 308-0054-00 | | RES.,FXD,WW:10K OHM,5%,5W | 91637 | CW5-10001J |
| A30A1R6093 | 315-0103-00 | | RES.,FXD,CMPSN:10K OHM,5%,0.25W | 01121 | CB1035 |
| A30A1RT2093 | 307-0353-00 | | RES.,FXD,FILM:5 OHM,10%,DISC | 15454 | 5DA5RO-K-270SS |
| A30A1RT2097 | 307-0353-00 | | RES.,FXD,FILM:5 OHM,10%,DISC | 15454 | 5DA5RO-K-270SS |
| A30A1RT3093 | 307-0353-00 | | RES.,FXD,FILM:5 OHM,10%,DISC | 15454 | 5DA5RO-K-270SS |
| A30A1S2103 | 159-0169-00 | | FUSE,THERMAL:15A,1200V,104 DEG C | 27012 | 4218A1 |
| A30A1T2080 | 120-1287-00 | | TRANSFORMER,RF:TOROID,2 WINDS | 80009 | 120-1287-00 |
| A30A1T4071 | 120-1239-00 | | XFMR,PWR,SDN&SU:HF | 80009 | 120-1239-00 |
| A30A1T4084 | 120-0640-00 | | XFMR,TOROID:18 TURNS,BIFILAR | 80009 | 120-0640-00 |
| A30A1T6044 | 120-1350-00 | | TRANSFORMER,RF:TOROID,2 WINDS | 80009 | 120-1350-00 |
| A30A1T6081 | 120-1234-00 | | TRANSFORMER:BASE DRIVE | 80009 | 120-1234-00 |
| A30A1U2037 | 156-0495-02 | | MICROCIRCUIT,LI:QUAD OPNL AMPL,SELECTED | 01295 | LM324J4 |
| A30A1U3036 | 156-0853-00 | | MICROCIRCUIT,LI:OPERATIONAL AMPLIFIER,DUAL | 27014 | LM358N |
| A30A1U3093 | 119-1168-00 | | CAPACITOR-RES:0.1UF,20% & 22 OHM,10%,250V | 14752 | RG1782-1 |
| A30A1U3103 | 119-1168-00 | | CAPACITOR-RES:0.1UF,20% & 22 OHM,10%,250V | 14752 | RG1782-1 |
| A30A1U6016 | 156-0853-00 | | MICROCIRCUIT,LI:OPERATIONAL AMPLIFIER,DUAL | 27014 | LM358N |
| A30A1U6036 | 156-1126-01 | | MICROCIRCUIT,LI:VOLTAGE COMPARATOR,SEL | 01295 | LM311JG4 |
| A30A1U6043 | 156-1162-00 | | CPLR,OPTOELECTR:LED,2500V,8 DIP | 50438 | 6N136 |
| A30A1U6046 | 156-1225-00 | | MICROCIRCUIT,LI:DUAL COMPARATOR,8 DIP | 27014 | LM393N |
| A30A1U6053 | 156-1408-00 | | MICROCIRCUIT,LI:TIMER,LOW POWER | 32293 | ICM75551PA |
| A30A1U6059 | 156-1408-00 | | MICROCIRCUIT,LI:TIMER,LOW POWER | 32293 | ICM75551PA |
| A30A1U6063 | 156-0366-02 | | MICROCIRCUIT,DI:DUAL D FLIP-FLOP,CHK | 80009 | 156-0366-02 |
| A30A1U6069 | 156-0793-02 | | MICROCIRCUIT,DI:DUAL 4 INPUT NAND GATE | 80009 | 156-0793-02 |
| A30A1VR5045 | 152-0279-00 | | SEMICONV DEVICE:ZENER,0.4W,5.1V,5% | 04713 | SZG35010RL |
| A30A1VR5073 | 152-0149-00 | | SEMICONV DEVICE:ZENER,0.4W,10V,5% | 04713 | SZG35009K3 |
| A30A1VR6026 | 152-0486-00 | | SEMICONV DEVICE:ZENER,0.25W,6.2V,5% | 80009 | 152-0486-00 |
| A30A1W6043 | 131-0566-00 | | BUS CONDUCTOR:DUMMY RES,2.375,22 AWG | 57668 | JWW-0200E0 |

| Component No. | Tektronix Part No. | Serial/Model No. Eff | Dscont | Name & Description | Mfr Code | Mfr Part Number |
|---------------|--------------------|----------------------|---------|------------------------------------|----------|------------------|
| A30A2 | 670-5933-00 | B010100 | B010128 | CKT BOARD ASSY:FAN DRIVE | 80009 | 670-5933-00 |
| A30A2 | 670-7266-00 | B010129 | | CKT BOARD ASSY:FAN DRIVE | 80009 | 670-7266-00 |
| A30A2C1017 | 283-0024-00 | | | CAP.,FXD,CER DI:0.1UF,+80-20%,50V | 72982 | 8121N083Z5U0104Z |
| A30A2C1018 | 283-0198-00 | | | CAP.,FXD,CER DI:0.22UF,20%,50V | 56289 | 1C10Z5U223M050B |
| A30A2C1019 | 283-0198-00 | | | CAP.,FXD,CER DI:0.22UF,20%,50V | 56289 | 1C10Z5U223M050B |
| A30A2C1026 | 290-0523-00 | | | CAP.,FXD,ELCTLT:2.2UF,20%,20V | 56289 | 196D225X0020HA1 |
| A30A2C1028 | 290-0523-00 | | | CAP.,FXD,ELCTLT:2.2UF,20%,20V | 56289 | 196D225X0020HA1 |
| A30A2C1032 | 290-0804-00 | | | CAP.,FXD,ELCTLT:10UF,+50-10%,25V | 55680 | ULA1E100TEA |
| A30A2C1033 | 290-0804-00 | | | CAP.,FXD,ELCTLT:10UF,+50-10%,25V | 55680 | ULA1E100TEA |
| A30A2C2012 | 290-0804-00 | | | CAP.,FXD,ELCTLT:10UF,+50-10%,25V | 55680 | ULA1E100TEA |
| A30A2C2018 | 283-0198-00 | | | CAP.,FXD,CER DI:0.22UF,20%,50V | 56289 | 1C10Z5U223M050B |
| A30A2C2028 | 290-0523-00 | | | CAP.,FXD,ELCTLT:2.2UF,20%,20V | 56289 | 196D225X0020HA1 |
| A30A2CR2040 | 152-0066-00 | | | SEMICONV DEVICE:SILICON,400V,750MA | 14433 | LG4016 |
| A30A2Q1010 | 151-0521-00 | | | SCR:SI,MU-27 | 03508 | C122B |
| A30A2Q1018 | 151-0188-00 | | | TRANSISTOR:SILICON,PNP | 04713 | SPS6868K |
| A30A2Q1020 | 151-0188-00 | | | TRANSISTOR:SILICON,PNP | 04713 | SPS6868K |
| A30A2Q1025 | 151-0302-00 | | | TRANSISTOR:SILICON,NPN | 07263 | S038487 |
| A30A2Q1038 | 151-0302-00 | | | TRANSISTOR:SILICON,NPN | 07263 | S038487 |
| A30A2Q2020 | 151-0188-00 | | | TRANSISTOR:SILICON,PNP | 04713 | SPS6868K |
| A30A2Q2030 | 151-0302-00 | | | TRANSISTOR:SILICON,NPN | 07263 | S038487 |
| A30A2R1015 | 315-0270-00 | | | RES.,FXD,CMPSN:27 OHM,5%,0.25W | 01121 | CB2705 |
| A30A2R1017 | 315-0101-00 | | | RES.,FXD,CMPSN:100 OHM,5%,0.25W | 01121 | CB1015 |
| A30A2R1024 | 315-0681-00 | | | RES.,FXD,CMPSN:680 OHM,5%,0.25W | 01121 | CB6815 |
| A30A2R1026 | 315-0681-00 | | | RES.,FXD,CMPSN:680 OHM,5%,0.25W | 01121 | CB6815 |
| A30A2R1027 | 315-0104-00 | | | RES.,FXD,CMPSN:100K OHM,5%,0.25W | 01121 | CB1045 |
| A30A2R1028 | 315-0163-00 | | | RES.,FXD,CMPSN:16K OHM,5%,0.25W | 01121 | CB1635 |
| A30A2R1029 | 315-0223-00 | | | RES.,FXD,CMPSN:22K OHM,5%,0.25W | 01121 | CB2235 |
| A30A2R1031 | 315-0473-00 | | | RES.,FXD,CMPSN:47K OHM,5%,0.25W | 01121 | CB4735 |
| A30A2R1032 | 315-0163-00 | | | RES.,FXD,CMPSN:16K OHM,5%,0.25W | 01121 | CB1635 |
| A30A2R1033 | 315-0393-00 | | | RES.,FXD,CMPSN:39K OHM,5%,0.25W | 01121 | CB3935 |
| A30A2R1036 | 315-0223-00 | | | RES.,FXD,CMPSN:22K OHM,5%,0.25W | 01121 | CB2235 |
| A30A2R2014 | 315-0333-00 | | | RES.,FXD,CMPSN:33K OHM,5%,0.25W | 01121 | CB3335 |
| A30A2R2016 | 315-0104-00 | | | RES.,FXD,CMPSN:100K OHM,5%,0.25W | 01121 | CB1045 |
| A30A2R2019 | 315-0104-00 | | | RES.,FXD,CMPSN:100K OHM,5%,0.25W | 01121 | CB1045 |
| A30A2R2034 | 315-0163-00 | | | RES.,FXD,CMPSN:16K OHM,5%,0.25W | 01121 | CB1635 |
| A30A2R2035 | 315-0681-00 | | | RES.,FXD,CMPSN:680 OHM,5%,0.25W | 01121 | CB6815 |
| A30A2R2036 | 315-0223-00 | | | RES.,FXD,CMPSN:22K OHM,5%,0.25W | 01121 | CB2235 |
| A30A2R2039 | 315-0361-00 | | | RES.,FXD,CMPSN:360 OHM,5%,0.25W | 01121 | CB3615 |
| A30A2R2042 | 315-0623-00 | | | RES.,FXD,CMPSN:62K OHM,5%,0.25W | 01121 | CB6235 |
| A30A2RT2045 | 307-0472-00 | | | RES.,THERMAL:100K OHM,5% DISC | 15801 | JP51J5 |
| A30A2VR1015 | 152-0175-00 | | | SEMICONV DEVICE:ZENER,0.4W,5.6V,5% | 04713 | SZG35008 |
| A30A2VR2038 | 152-0166-00 | | | SEMICONV DEVICE:ZENER,0.4W,6.2V,5% | 04713 | SZ11738RL |

Replaceable Electrical Parts—496/496P Service Vol.2

| Component No. | Tektronix Part No. | Serial/Model No. Eff Dscnt | Name & Description | Mfr Code | Mfr Part Number |
|---------------|--------------------|----------------------------|--|----------|-----------------|
| A30A57 | 670-5556-00 | | CKT BOARD ASSY:GPIB INTERFACE | 80009 | 670-5556-00 |
| A30A57 | ----- | | (496P ONLY) | | |
| A30A57C1011 | 290-0524-00 | | CAP.,FXD,ELCTL:4.7UF,20%,10V | 90201 | TDC475M010EL |
| A30A57C1012 | 283-0111-00 | | CAP.,FXD,CER DI:0.1UF,20%,50V | 56289 | 273C11 |
| A30A57C1013 | 283-0111-00 | | CAP.,FXD,CER DI:0.1UF,20%,50V | 56289 | 273C11 |
| A30A57L1011 | 108-0836-00 | | COIL,RF:14 UH TOROIDAL INDUCTOR | 80009 | 108-0836-00 |
| A30A57R1011 | 317-0103-00 | | RES.,FXD,CMPSN:10K OHM,5%,0.125W | 01121 | BB1035 |
| A30A57S1011 | 260-1721-00 | | SWITCH,ROCKER:8,SPST,125MA,30VDC | 00779 | 435166-5 |
| A30A57U1011 | 156-1415-00 | | MICROCIRCUIT,DI:OCTAL GPIB XCVR MTG BUS | 01295 | SN75161A |
| A30A57U1012 | 156-1414-00 | | MICROCIRCUIT,DI:OCTAL GPIB XCVR DATA BUS | 01295 | SN75160 |
| A30A76 | 670-5558-01 | | CKT BOARD ASSY:ACCESSORIES INTERFACE | 80009 | 670-5558-01 |
| A30A76C2012 | 283-0111-00 | | CAP.,FXD,CER DI:0.1UF,20%,50V | 56289 | 273C11 |
| A30A76C2024 | 283-0111-00 | | CAP.,FXD,CER DI:0.1UF,20%,50V | 56289 | 273C11 |
| A30A76C2036 | 283-0111-00 | | CAP.,FXD,CER DI:0.1UF,20%,50V | 56289 | 273C11 |
| A30A76C2038 | 283-0111-00 | | CAP.,FXD,CER DI:0.1UF,20%,50V | 56289 | 273C11 |
| A30A76CR1013 | 152-0322-00 | | SEMICONV DEVICE:SILICON,15V,HOT CARRIER | 50434 | 5082-2672 |
| A30A76R1013 | 315-0202-00 | | RES.,FXD,CMPSN:2K OHM,5%,0.25W | 01121 | CB2025 |
| A30A76R2019 | 315-0103-00 | | RES.,FXD,CMPSN:10K OHM,5%,0.25W | 01121 | CB1035 |
| A30A76R2038 | 315-0472-00 | | RES.,FXD,CMPSN:4.7K OHM,5%,0.25W | 01121 | CB4725 |
| A30A76U2015 | 156-1111-02 | | MICROCIRCUIT,DI:OCTAL BUS TRANSCEIVERS | 01295 | SN74LS245JP3 |
| A30A76U2025 | 156-1111-02 | | MICROCIRCUIT,DI:OCTAL BUS TRANSCEIVERS | 01295 | SN74LS245JP3 |
| A30A76U2033 | 156-1111-02 | | MICROCIRCUIT,DI:OCTAL BUS TRANSCEIVERS | 01295 | SN74LS245JP3 |
| A30A76U2038 | 156-0381-02 | | MICROCIRCUIT,DI:QUAD 2-INP EXCL OR GATE | 01295 | SN74LS86 |

| Component No. | Tektronix Part No. | Serial/Model No. Eff | Dscont | Name & Description | Mfr Code | Mfr Part Number |
|---------------|--------------------|----------------------|---------|--------------------------------------|----------|-----------------|
| A32 | 119-1015-00 | | | FILTER,AMPL:110MHZ | 80009 | 119-1015-00 |
| A32C321 | 281-0825-00 | | | CAP.,FXD,CER DI:0.005UF,+100-0%,100V | 33095 | 51-726-008 |
| A32C323 | 281-0825-00 | | | CAP.,FXD,CER DI:0.005UF,+100-0%,100V | 33095 | 51-726-008 |
| A32C325 | 281-0165-00 | | | CAP.,VAR,AIR DI:0.8-10PF,250V | 73899 | MVM-010W |
| A32P320 | 131-0938-00 | | | CONNECTOR,RCPT,;50 OHM MALE SNAP-ON | 98291 | 051-043-0349 |
| A32P321 | 131-0938-00 | | | CONNECTOR,RCPT,;50 OHM MALE SNAP-ON | 98291 | 051-043-0349 |
| A32Q3018 | 151-0650-00 | | | TRANSISTOR:SILICON,NPN | 80009 | 151-0650-00 |
| A32A1 | 670-5525-00 | B010100 | B010109 | CKT BOARD ASSY:110 I.F. AMPLIFIER | 80009 | 670-5525-00 |
| A32A1 | 670-5525-01 | B010110 | | CKT BOARD ASSY:110 I.F. AMPLIFIER | 80009 | 670-5525-01 |
| A32A1C1012 | 283-0204-00 | | | CAP.,FXD,CER DI:0.01UF,20%,50V | 96733 | R2676 |
| A32A1C1022 | 283-0204-00 | | | CAP.,FXD,CER DI:0.01UF,20%,50V | 96733 | R2676 |
| A32A1C2010 | 283-0204-00 | | | CAP.,FXD,CER DI:0.01UF,20%,50V | 96733 | R2676 |
| A32A1C2012 | 283-0204-00 | | | CAP.,FXD,CER DI:0.01UF,20%,50V | 96733 | R2676 |
| A32A1C2029 | 283-0204-00 | | | CAP.,FXD,CER DI:0.01UF,20%,50V | 96733 | R2676 |
| A32A1C2035 | 283-0111-00 | | | CAP.,FXD,CER DI:0.1UF,20%,50V | 56289 | 273C11 |
| A32A1C2036 | 290-0574-00 | | | CAP.,FXD,ELCTL:47UF,10%,20V | 90201 | TDC476K020CL |
| A32A1C2037 | 283-0204-00 | | | CAP.,FXD,CER DI:0.01UF,20%,50V | 96733 | R2676 |
| A32A1C2047 | 281-0164-00 | | | CAP.,VAR AIR DI:0.6-6PF,250V | 73899 | MVM-006W |
| A32A1C2051 | 283-0204-00 | | | CAP.,FXD,CER DI:0.01UF,20%,50V | 96733 | R2676 |
| A32A1C3032 | 283-0111-00 | | | CAP.,FXD,CER DI:0.1UF,20%,50V | 56289 | 273C11 |
| A32A1C3036 | 283-0204-00 | | | CAP.,FXD,CER DI:0.01UF,20%,50V | 96733 | R2676 |
| A32A1C3043 | 283-0204-00 | | | CAP.,FXD,CER DI:0.01UF,20%,50V | 96733 | R2676 |
| A32A1C3044 | 283-0204-00 | | | CAP.,FXD,CER DI:0.01UF,20%,50V | 96733 | R2676 |
| A32A1C3045 | 283-0204-00 | | | CAP.,FXD,CER DI:0.01UF,20%,50V | 96733 | R2676 |
| A32A1C4020 | 283-0204-00 | | | CAP.,FXD,CER DI:0.01UF,20%,50V | 96733 | R2676 |
| A32A1C4026 | 283-0204-00 | | | CAP.,FXD,CER DI:0.01UF,20%,50V | 96733 | R2676 |
| A32A1C4035 | 283-0204-00 | | | CAP.,FXD,CER DI:0.01UF,20%,50V | 96733 | R2676 |
| A32A1C4036 | 283-0204-00 | | | CAP.,FXD,CER DI:0.01UF,20%,50V | 96733 | R2676 |
| A32A1C4045 | 283-0156-00 | | | CAP.,FXD,CER DI:1000PF,+100-0%,200V | 96733 | R2670 |
| A32A1CR1029 | 152-0579-00 | | | SEMICONV DEVICE:SILICON,100V,2.5A | 12969 | UM6601B |
| A32A1CR3030 | 152-0579-00 | | | SEMICONV DEVICE:SILICON,100V,2.5A | 12969 | UM6601B |
| A32A1E3036 | 276-0507-00 | | | SHIELDING BEAD,;FERRITE | 78488 | 57-3443 |
| A32A1E4046 | 276-0507-00 | | | SHIELDING BEAD,;FERRITE | 78488 | 57-3443 |
| A32A1L1039 | 108-0395-00 | | | COIL,RF:64UH | 80009 | 108-0395-00 |
| A32A1L2044 | 108-0956-00 | | | COIL,RF:FIXED,AIR COIL | 80009 | 108-0956-00 |
| A32A1Q3018 | 151-0650-00 | | | TRANSISTOR:SILICON,NPN | 80009 | 151-0650-00 |
| A32A1Q4037 | 151-0650-00 | | | TRANSISTOR:SILICON,NPN | 80009 | 151-0650-00 |
| A32A1Q4053 | 151-0650-00 | | | TRANSISTOR:SILICON,NPN | 80009 | 151-0650-00 |
| A32A1R1012 | 301-0330-00 | | | RES.,FXD,CMPSN:33 OHM,5%,0.50W | 01121 | EB3305 |
| A32A1R1015 | 311-1281-00 | | | RES.,VAR,NONWIR:2.5K OHM,10%,0.5W | 32997 | 3329W-L58-252 |
| A32A1R2014 | 315-0102-00 | | | RES.,FXD,CMPSN:1K OHM,5%,0.25W | 01121 | CB1025 |
| A32A1R2019 | 315-0101-00 | B010100 | B010109 | RES.,FXD,CMPSN:100 OHM,5%,0.25W | 01121 | CB1015 |
| A32A1R2019 | 315-0511-00 | B010110 | | RES.,FXD,CMPSN:510 OHM,5%,0.25W | 01121 | CB5115 |
| A32A1R2028 | 321-0277-00 | B010100 | B010109 | RES.,FXD,FILM:7.5K OHM,1%,0.125W | 91637 | MFF1816G75000F |
| A32A1R2028 | 321-0210-00 | B010110 | | RES.,FXD,FILM:1.5K OHM,1%,0.125W | 91637 | MFF1816G15000F |
| A32A1R2029 | 321-0289-00 | B010110 | | RES.,FXD,FILM:10K OHM,1%,0.125W | 91637 | MFF1816G10001F |
| A32A1R2030 | 315-0101-00 | | | RES.,FXD,CMPSN:100 OHM,5%,0.25W | 01121 | CB1015 |
| A32A1R2032 | 317-0510-00 | | | RES.,FXD,CMPSN:51 OHM,5%,0.125W | 01121 | BB5105 |
| A32A1R2038 | 317-0180-00 | | | RES.,FXD,CMPSN:18 OHM,5%,0.125W | 01121 | BB1805 |
| A32A1R2039 | 317-0301-00 | | | RES.,FXD,CMPSN:300 OHM,5%,0.125W | 01121 | BB3015 |
| A32A1R2043 | 317-0301-00 | | | RES.,FXD,CMPSN:300 OHM,5%,0.125W | 01121 | BB3015 |
| A32A1R3014 | 315-0202-00 | | | RES.,FXD,CMPSN:2K OHM,5%,0.25W | 01121 | CB2025 |

Replaceable Electrical Parts—496/496P Service Vol.2

| Component No. | Tektronix Part No. | Serial/Model No. Eff | Dscont | Name & Description | Mfr Code | Mfr Part Number |
|---------------|--------------------|----------------------|---------|-----------------------------------|----------|-----------------|
| A32A1R3029 | 317-0510-00 | | | RES.,FXD,CMPSN:51 OHM,5%,0.125W | 01121 | BB5105 |
| A32A1R3035 | 321-0275-00 | B010100 | B010109 | RES.,FXD,FILM:7.15K OHM,1%,0.125W | 91637 | MFF1816G71500F |
| A32A1R3035 | 321-0239-00 | B010110 | | RES.,FXD,FILM:3.01K OHM,1%,0.125W | 91637 | MFF1816G30100F |
| A32A1R3042 | 315-0271-00 | | | RES.,FXD,CMPSN:270 OHM,5%,0.25W | 01121 | CB2715 |
| A32A1R4012 | 301-0330-00 | | | RES.,FXD,CMPSN:33 OHM,5%,0.50W | 01121 | EB3305 |
| A32A1R4018 | 315-0681-00 | | | RES.,FXD,CMPSN:680 OHM,5%,0.25W | 01121 | CB6815 |
| A32A1R4029 | 307-0113-00 | | | RES.,FXD,CMPSN:5.1 OHM,5%,0.25W | 01121 | CB51G5 |
| A32A1R4030 | 315-0222-00 | | | RES.,FXD,CMPSN:2.2K OHM,5%,0.25W | 01121 | CB2225 |
| A32A1R4032 | 315-0681-00 | | | RES.,FXD,CMPSN:680 OHM,5%,0.25W | 01121 | CB6815 |
| A32A1R4038 | 315-0101-00 | | | RES.,FXD,CMPSN:100 OHM,5%,0.25W | 01121 | CB1015 |
| A32A1R4039 | 315-0222-00 | | | RES.,FXD,CMPSN:2.2K OHM,5%,0.25W | 01121 | CB2225 |
| A32A1R4043 | 315-0221-00 | | | RES.,FXD,CMPSN:220 OHM,5%,0.25W | 01121 | CB2215 |
| A32A1R4047 | 315-0681-00 | | | RES.,FXD,CMPSN:680 OHM,5%,0.25W | 01121 | CB6815 |
| A32A1R4058 | 315-0241-00 | | | RES.,FXD,CMPSN:240 OHM,5%,0.25W | 01121 | CB2415 |
| A32A1T2020 | 120-0902-00 | | | XFMR,TOROID:5 TURNS,BIFILAR | 80009 | 120-0902-00 |
| A32A1T3041 | 120-1235-00 | | | TRANSFORMER,RF:BALUN,TD-367 | 80009 | 120-1235-00 |
| A32A1T3054 | 120-1235-00 | | | TRANSFORMER,RF:BALUN,TD-367 | 80009 | 120-1235-00 |

| Component No. | Tektronix Part No. | Serial/Model No. Eff Dscont | Name & Description | Mfr Code | Mfr Part Number |
|---------------|--------------------|-----------------------------|--|----------|------------------|
| A34 | 119-1023-01 | | OSC/MIXER ASSY:100MHZ | 80009 | 119-1023-01 |
| A34C341 | 281-0697-00 | | CAP.,FXD,CER DI:5000PF,+100-0%,100V | 80009 | 281-0697-00 |
| A34C342 | 281-0697-00 | | CAP.,FXD,CER DI:5000PF,+100-0%,100V | 80009 | 281-0697-00 |
| A34J1015 | 131-0938-00 | | CONNECTOR,RCPT,;50 OHM MALE SNAP-ON | 98291 | 051-043-0349 |
| A34J1023 | 131-1972-00 | | CONN,RCPT,ELEC:SNAP CATCH,RIGHT ANGLE | 98291 | 51-047-0239 |
| A34J2012 | 131-0938-00 | | CONNECTOR,RCPT,;50 OHM MALE SNAP-ON | 98291 | 051-043-0349 |
| A34J2013 | 131-0938-00 | | CONNECTOR,RCPT,;50 OHM MALE SNAP-ON | 98291 | 051-043-0349 |
| A34J2058 | 131-1972-00 | | CONN,RCPT,ELEC:SNAP CATCH,RIGHT ANGLE | 98291 | 51-047-0239 |
| A34J3057 | 131-0938-00 | | CONNECTOR,RCPT,;50 OHM MALE SNAP-ON | 98291 | 051-043-0349 |
| A34U1010 | 156-0285-00 | | MICROCIRCUIT,LI:VOLTAGE REGULATOR | 27014 | LM340T-12 |
| A34U2010 | 156-0872-00 | | MICROCIRCUIT,LI:VOLTAGE REGULATOR | 04713 | MC7912C |
| A34A1 | 670-5526-02 | | CKT BOARD ASSY:110 MIXER/OSC | 80009 | 670-5526-02 |
| A34A1C1016 | 283-0156-00 | | CAP.,FXD,CER DI:1000PF,+100-0%,200V | 96733 | R2670 |
| A34A1C1017 | 283-0191-00 | | CAP.,FXD,CER DI:0.022UF,20%,50V | 72982 | 8121N075Z5U0223M |
| A34A1C1023 | 283-0156-00 | | CAP.,FXD,CER DI:1000PF,+100-0%,200V | 96733 | R2670 |
| A34A1C1024 | 283-0191-00 | | CAP.,FXD,CER DI:0.022UF,20%,50V | 72982 | 8121N075Z5U0223M |
| A34A1C1036 | 283-0156-00 | | CAP.,FXD,CER DI:1000PF,+100-0%,200V | 96733 | R2670 |
| A34A1C1041 | 283-0156-00 | | CAP.,FXD,CER DI:1000PF,+100-0%,200V | 96733 | R2670 |
| A34A1C1045 | 283-0191-00 | | CAP.,FXD,CER DI:0.022UF,20%,50V | 72982 | 8121N075Z5U0223M |
| A34A1C1056 | 283-0204-00 | | CAP.,FXD,CER DI:0.01UF,20%,50V | 96733 | R2676 |
| A34A1C2012 | 283-0156-00 | | CAP.,FXD,CER DI:1000PF,+100-0%,200V | 96733 | R2670 |
| A34A1C2013 | 283-0156-00 | | CAP.,FXD,CER DI:1000PF,+100-0%,200V | 96733 | R2670 |
| A34A1C2021 | 283-0191-00 | | CAP.,FXD,CER DI:0.022UF,20%,50V | 72982 | 8121N075Z5U0223M |
| A34A1C2022 | 283-0107-00 | | CAP.,FXD,CER DI:51PF,5%,200V | 96733 | R3017 |
| A34A1C2025 | 283-0140-00 | | CAP.,FXD,CER DI:4.7PF,5%,50V | 72982 | 8101E003A479C |
| A34A1C2026 | 283-0168-00 | | CAP.,FXD,CER DI:12PF,5%,100V | 72982 | 8101B121C0G0120J |
| A34A1C2037 | 283-0107-00 | | CAP.,FXD,CER DI:51PF,5%,200V | 96733 | R3017 |
| A34A1C2041 | 283-0156-00 | | CAP.,FXD,CER DI:1000PF,+100-0%,200V | 96733 | R2670 |
| A34A1C3014 | 283-0191-00 | | CAP.,FXD,CER DI:0.022UF,20%,50V | 72982 | 8121N075Z5U0223M |
| A34A1C3019 | 283-0191-00 | | CAP.,FXD,CER DI:0.022UF,20%,50V | 72982 | 8121N075Z5U0223M |
| A34A1C3024 | 283-0191-00 | | CAP.,FXD,CER DI:0.022UF,20%,50V | 72982 | 8121N075Z5U0223M |
| A34A1C3029 | 281-0221-00 | | CAP.,VAR,CER DI:2-10PF,100V | 59660 | 513-013A 2 0-10 |
| A34A1C3031 | 281-0153-00 | | CAP.,VAR,AIR DI:1.7-10PF,250V | 74970 | 187-0106-005 |
| A34A1C3039 | 283-0191-00 | | CAP.,FXD,CER DI:0.022UF,20%,50V | 72982 | 8121N075Z5U0223M |
| A34A1C3046 | 283-0191-00 | | CAP.,FXD,CER DI:0.022UF,20%,50V | 72982 | 8121N075Z5U0223M |
| A34A1C3047 | 283-0191-00 | | CAP.,FXD,CER DI:0.022UF,20%,50V | 72982 | 8121N075Z5U0223M |
| A34A1C3056 | 283-0191-00 | | CAP.,FXD,CER DI:0.022UF,20%,50V | 72982 | 8121N075Z5U0223M |
| A34A1C3057 | 283-0114-00 | | CAP.,FXD,CER DI:0.0015UF,5%,200V | 59660 | 805534Y5DO152J |
| A34A1C3058 | 281-0549-00 | | CAP.,FXD,CER DI:68PF,10%,500V | 59660 | 301-000U2J0680K |
| A34A1C4011 | 283-0191-00 | | CAP.,FXD,CER DI:0.022UF,20%,50V | 72982 | 8121N075Z5U0223M |
| A34A1C4012 | 283-0191-00 | | CAP.,FXD,CER DI:0.022UF,20%,50V | 72982 | 8121N075Z5U0223M |
| A34A1C4021 | 283-0191-00 | | CAP.,FXD,CER DI:0.022UF,20%,50V | 72982 | 8121N075Z5U0223M |
| A34A1C4026 | 283-0156-00 | | CAP.,FXD,CER DI:1000PF,+100-0%,200V | 96733 | R2670 |
| A34A1C4027 | 283-0156-00 | | CAP.,FXD,CER DI:1000PF,+100-0%,200V | 96733 | R2670 |
| A34A1C4028 | 283-0191-00 | | CAP.,FXD,CER DI:0.022UF,20%,50V | 72982 | 8121N075Z5U0223M |
| A34A1C4029 | 283-0203-00 | | CAP.,FXD,CER DI:0.47UF,20%,50V | 72982 | 8131M058Z5U0474M |
| A34A1C4031 | 290-0720-00 | | CAP.,FXD,ELCTLT:68UF,20%,15V | 56289 | 196D686X0015PE3 |
| A34A1C4032 | 283-0191-00 | | CAP.,FXD,CER DI:0.022UF,20%,50V | 72982 | 8121N075Z5U0223M |
| A34A1C4043 | 283-0191-00 | | CAP.,FXD,CER DI:0.022UF,20%,50V | 72982 | 8121N075Z5U0223M |
| A34A1C4044 | 290-0720-00 | | CAP.,FXD,ELCTLT:68UF,20%,15V | 56289 | 196D686X0015PE3 |
| A34A1CR2054 | 152-0715-00 | | SEMICONV DEVICE:SCOTTKY,SI,RING QUAD | 80009 | 152-0715-00 |
| A34A1CR3045 | 152-0269-00 | | SEMICONV DEVICE:SILICON,VAR V CAP.,4V,33PF | 04713 | SMV1263 |

Replaceable Electrical Parts—496/496P Service Vol.2

| Component No. | Tektronix Part No. | Serial/Model No. Eff Dscont | Name & Description | Mfr Code | Mfr Part Number |
|---------------|--------------------|-----------------------------|-----------------------------------|----------|-----------------|
| A34A1E2015 | 276-0532-00 | | SHIELDING BEAD,: | 02114 | 56-590-65/4A6 |
| A34A1E2016 | 276-0532-00 | | SHIELDING BEAD,: | 02114 | 56-590-65/4A6 |
| A34A1E3015 | 276-0532-00 | | SHIELDING BEAD,: | 02114 | 56-590-65/4A6 |
| A34A1E4018 | 276-0532-00 | | SHIELDING BEAD,: | 02114 | 56-590-65/4A6 |
| A34A1L1055 | 108-0606-00 | | COIL,RF:37NH | 80009 | 108-0606-00 |
| A34A1L2029 | 108-1129-00 | | COIL,RF:FIXED,100MH | 80009 | 108-1129-00 |
| A34A1L3024 | 108-0965-00 | | COIL,RF:FIXED,170NH | 80009 | 108-0965-00 |
| A34A1L4024 | 108-0598-00 | | COIL,RF:200UH | 80009 | 108-0598-00 |
| A34A1L4055 | 108-0311-00 | | COIL,RF:FIXED,153NH | 80009 | 108-0311-00 |
| A34A1Q1031 | 151-0282-00 | | TRANSISTOR:SILICON,NPN | 80009 | 151-0282-00 |
| A34A1Q1048 | 151-0446-00 | | TRANSISTOR:SILICON,NPN | 80009 | 151-0446-00 |
| A34A1Q2015 | 151-0282-00 | | TRANSISTOR:SILICON,NPN | 80009 | 151-0282-00 |
| A34A1Q2016 | 151-0282-00 | | TRANSISTOR:SILICON,NPN | 80009 | 151-0282-00 |
| A34A1Q2031 | 151-0282-00 | | TRANSISTOR:SILICON,NPN | 80009 | 151-0282-00 |
| A34A1Q2036 | 151-0446-00 | | TRANSISTOR:SILICON,NPN | 80009 | 151-0446-00 |
| A34A1Q2046 | 151-0446-00 | | TRANSISTOR:SILICON,NPN | 80009 | 151-0446-00 |
| A34A1Q3015 | 151-0282-00 | | TRANSISTOR:SILICON,NPN | 80009 | 151-0282-00 |
| A34A1Q3041 | 151-0282-00 | | TRANSISTOR:SILICON,NPN | 80009 | 151-0282-00 |
| A34A1Q4018 | 151-0282-00 | | TRANSISTOR:SILICON,NPN | 80009 | 151-0282-00 |
| A34A1R1014 | 317-0121-00 | | RES.,FXD,CMPSN:120 OHM,5%,0.125W | 01121 | BB1215 |
| A34A1R1015 | 317-0101-00 | | RES.,FXD,CMPSN:100 OHM,5%,0.125W | 01121 | BB1015 |
| A34A1R1016 | 317-0101-00 | | RES.,FXD,CMPSN:100 OHM,5%,0.125W | 01121 | BB1015 |
| A34A1R1018 | 321-0172-00 | | RES.,FXD,FILM:604 OHM,1%,0.125W | 91637 | MFF1816G604R0F |
| A34A1R1023 | 317-0101-00 | | RES.,FXD,CMPSN:100 OHM,5%,0.125W | 01121 | BB1015 |
| A34A1R1025 | 317-0470-00 | | RES.,FXD,CMPSN:47 OHM,5%,0.125W | 01121 | BB4705 |
| A34A1R1027 | 317-0101-00 | | RES.,FXD,CMPSN:100 OHM,5%,0.125W | 01121 | BB1015 |
| A34A1R1028 | 317-0680-00 | | RES.,FXD,CMPSN:68 OHM,5%,0.125W | 01121 | BB6805 |
| A34A1R1035 | 317-0100-00 | | RES.,FXD,CMPSN:10 OHM,5%,0.125W | 01121 | BB1005 |
| A34A1R1042 | 321-0155-00 | | RES.,FXD,FILM:402 OHM,1%,0.125W | 91637 | MFF1816G402R0F |
| A34A1R1043 | 317-0201-00 | | RES.,FXD,CMPSN:200 OHM,5%,0.125W | 01121 | BB2015 |
| A34A1R1045 | 311-1261-00 | | RES.,VAR,NONWIR:500 OHM,10%,0.50W | 32997 | 3329P-L58-501 |
| A34A1R2019 | 317-0470-00 | | RES.,FXD,CMPSN:47 OHM,5%,0.125W | 01121 | BB4705 |
| A34A1R2021 | 315-0102-00 | | RES.,FXD,CMPSN:1K OHM,5%,0.25W | 01121 | CB1025 |
| A34A1R2022 | 317-0101-00 | | RES.,FXD,CMPSN:100 OHM,5%,0.125W | 01121 | BB1015 |
| A34A1R2023 | 317-0101-00 | | RES.,FXD,CMPSN:100 OHM,5%,0.125W | 01121 | BB1015 |
| A34A1R2024 | 317-0101-00 | | RES.,FXD,CMPSN:100 OHM,5%,0.125W | 01121 | BB1015 |
| A34A1R2025 | 317-0470-00 | | RES.,FXD,CMPSN:47 OHM,5%,0.125W | 01121 | BB4705 |
| A34A1R2037 | 315-0102-00 | | RES.,FXD,CMPSN:1K OHM,5%,0.25W | 01121 | CB1025 |
| A34A1R2038 | 315-0122-00 | | RES.,FXD,CMPSN:1.2K OHM,5%,0.25W | 01121 | CB1225 |
| A34A1R2039 | 315-0102-00 | | RES.,FXD,CMPSN:1K OHM,5%,0.25W | 01121 | CB1025 |
| A34A1R2041 | 301-0101-00 | | RES.,FXD,CMPSN:100 OHM,5%,0.50W | 01121 | EB1015 |
| A34A1R2046 | 315-0470-00 | | RES.,FXD,CMPSN:47 OHM,5%,0.25W | 01121 | CB4705 |
| A34A1R2049 | 317-0240-00 | | RES.,FXD,CMPSN:24 OHM,5%,0.125W | 01121 | BB2405 |
| A34A1R2056 | 317-0510-00 | | RES.,FXD,CMPSN:51 OHM,5%,0.125W | 01121 | BB5105 |
| A34A1R3011 | 317-0101-00 | | RES.,FXD,CMPSN:100 OHM,5%,0.125W | 01121 | BB1015 |
| A34A1R3012 | 317-0101-00 | | RES.,FXD,CMPSN:100 OHM,5%,0.125W | 01121 | BB1015 |
| A34A1R3015 | 317-0470-00 | | RES.,FXD,CMPSN:47 OHM,5%,0.125W | 01121 | BB4705 |
| A34A1R3016 | 317-0101-00 | | RES.,FXD,CMPSN:100 OHM,5%,0.125W | 01121 | BB1015 |
| A34A1R3017 | 317-0101-00 | | RES.,FXD,CMPSN:100 OHM,5%,0.125W | 01121 | BB1015 |
| A34A1R3021 | 317-0201-00 | | RES.,FXD,CMPSN:200 OHM,5%,0.125W | 01121 | BB2015 |
| A34A1R3028 | 317-0103-00 | | RES.,FXD,CMPSN:10K OHM,5%,0.125W | 01121 | BB1035 |
| A34A1R3033 | 317-0103-00 | | RES.,FXD,CMPSN:10K OHM,5%,0.125W | 01121 | BB1035 |
| A34A1R3039 | 317-0100-00 | | RES.,FXD,CMPSN:10 OHM,5%,0.125W | 01121 | BB1005 |
| A34A1R3041 | 315-0242-00 | | RES.,FXD,CMPSN:2.4K OHM,5%,0.25W | 01121 | CB2425 |
| A34A1R3042 | 317-0680-00 | | RES.,FXD,CMPSN:68 OHM,5%,0.125W | 01121 | BB6805 |

| Component No. | Tektronix Part No. | Serial/Model No. Eff | Dscont | Name & Description | Mfr Code | Mfr Part Number |
|---------------|--------------------|----------------------|--------|-------------------------------------|----------|------------------|
| A34A1R3045 | 315-0102-00 | | | RES.,FXD,CMPSN:1K OHM,5%,0.25W | 01121 | CB1025 |
| A34A1R3046 | 315-0331-00 | | | RES.,FXD,CMPSN:330 OHM,5%,0.25W | 01121 | CB3315 |
| A34A1R3049 | 317-0240-00 | | | RES.,FXD,CMPSN:24 OHM,5%,0.125W | 01121 | BB2405 |
| A34A1R4012 | 317-0470-00 | | | RES.,FXD,CMPSN:47 OHM,5%,0.125W | 01121 | BB4705 |
| A34A1R4016 | 315-0102-00 | | | RES.,FXD,CMPSN:1K OHM,5%,0.25W | 01121 | CB1025 |
| A34A1R4018 | 315-0102-00 | | | RES.,FXD,CMPSN:1K OHM,5%,0.25W | 01121 | CB1025 |
| A34A1R4021 | 315-0102-00 | | | RES.,FXD,CMPSN:1K OHM,5%,0.25W | 01121 | CB1025 |
| A34A1R4022 | 317-0470-00 | | | RES.,FXD,CMPSN:47 OHM,5%,0.125W | 01121 | BB4705 |
| A34A1R4046 | 317-0201-00 | | | RES.,FXD,CMPSN:200 OHM,5%,0.125W | 01121 | BB2015 |
| A34A1R4055 | 315-0100-00 | | | RES.,FXD,CMPSN:10 OHM,5%,0.25W | 01121 | CB1005 |
| A34A1T1053 | 120-1113-00 | | | XFMR,RF: BALUN,TD-343 | 80009 | 120-1113-00 |
| A34A1T2026 | 120-0902-00 | | | XFMR,TOROID:5 TURNS,BIFILAR | 80009 | 120-0902-00 |
| A34A1T2041 | 120-1113-00 | | | XFMR,RF: BALUN,TD-343 | 80009 | 120-1113-00 |
| A34A1T3053 | 120-1236-00 | | | XFMR,RF: BALUN,TD-368 | 80009 | 120-1236-00 |
| A34A1Y3036 | 158-0236-00 | | | XTAL UNIT,QTZ:100MHZ,0.005%,SERIES | 71034 | BK-3 |
| A34A2 | 670-6204-00 | | | CKT BOARD ASSY:100MHZ L/O REGULATOR | 80009 | 670-6204-00 |
| A34A2C1010 | 283-0203-00 | | | CAP.,FXD,CER DI:0.47UF,20%,50V | 72982 | 8131M058Z5U0474M |
| A34A2C2010 | 283-0203-00 | | | CAP.,FXD,CER DI:0.47UF,20%,50V | 72982 | 8131M058Z5U0474M |

Replaceable Electrical Parts—496/496P Service Vol.2

| Component No. | Tektronix Part No. | Serial/Model No. Eff Dscont | Name & Description | Mfr Code | Mfr Part Number |
|---------------|--------------------|-----------------------------|---|----------|------------------|
| A38 | 670-7141-00 | | CKT BOARD ASSY:FRONT PANEL | 80009 | 670-7141-00 |
| A38C1011 | 283-0204-00 | | CAP.,FXD,CER DI:0.01UF,20%,50V | 96733 | R2676 |
| A38C1013 | 283-0730-00 | | CAP.,FXD,MICA D:274PF,1%,500V | 00853 | D155F2740F0 |
| A38C1019 | 283-0204-00 | | CAP.,FXD,CER DI:0.01UF,20%,50V | 96733 | R2676 |
| A38C1024 | 283-0204-00 | | CAP.,FXD,CER DI:0.01UF,20%,50V | 96733 | R2676 |
| A38C1025 | 290-0512-00 | | CAP.,FXD,ELCTLT:22UF,20%,15V | 56289 | 196D226X0015KA1 |
| A38C1044 | 283-0204-00 | | CAP.,FXD,CER DI:0.01UF,20%,50V | 96733 | R2676 |
| A38C2025 | 283-0204-00 | | CAP.,FXD,CER DI:0.01UF,20%,50V | 96733 | R2676 |
| A38C4015 | 283-0177-00 | | CAP.,FXD,CER DI:1UF,+80-20%,25V | 56289 | 2C20Z5U105Z025B |
| A38C4023 | 290-0523-00 | | CAP.,FXD,ELCTLT:2.2UF,20%,20V | 56289 | 196D225X0020HA1 |
| A38C4026 | 283-0032-00 | | CAP.,FXD,CER DI:470PF,5%,500V | 59660 | 0831085Z5E00471J |
| A38C4029 | 283-0204-00 | | CAP.,FXD,CER DI:0.01UF,20%,50V | 96733 | R2676 |
| A38C4041 | 283-0204-00 | | CAP.,FXD,CER DI:0.01UF,20%,50V | 96733 | R2676 |
| A38C5021 | 283-0204-00 | | CAP.,FXD,CER DI:0.01UF,20%,50V | 96733 | R2676 |
| A38C5028 | 283-0204-00 | | CAP.,FXD,CER DI:0.01UF,20%,50V | 96733 | R2676 |
| A38C6091 | 283-0204-00 | | CAP.,FXD,CER DI:0.01UF,20%,50V | 96733 | R2676 |
| A38CR1026 | 152-0141-02 | | SEMICONV DEVICE:SILICON,30V,150MA | 01295 | 1N4152R |
| A38CR2026 | 152-0141-02 | | SEMICONV DEVICE:SILICON,30V,150MA | 01295 | 1N4152R |
| A38CR2027 | 152-0141-02 | | SEMICONV DEVICE:SILICON,30V,150MA | 01295 | 1N4152R |
| A38CR4022 | 152-0322-00 | | SEMICONV DEVICE:SILICON,15V,HOT CARRIER | 50434 | 5082-2672 |
| A38CR5022 | 152-0322-00 | | SEMICONV DEVICE:SILICON,15V,HOT CARRIER | 50434 | 5082-2672 |
| A38CR6029 | 152-0141-02 | | SEMICONV DEVICE:SILICON,30V,150MA | 01295 | 1N4152R |
| A38CR6032 | 152-0141-02 | | SEMICONV DEVICE:SILICON,30V,150MA | 01295 | 1N4152R |
| A38CR6033 | 152-0141-02 | | SEMICONV DEVICE:SILICON,30V,150MA | 01295 | 1N4152R |
| A38CR6034 | 152-0141-02 | | SEMICONV DEVICE:SILICON,30V,150MA | 01295 | 1N4152R |
| A38CR6035 | 152-0141-02 | | SEMICONV DEVICE:SILICON,30V,150MA | 01295 | 1N4152R |
| A38CR6082 | 152-0141-02 | | SEMICONV DEVICE:SILICON,30V,150MA | 01295 | 1N4152R |
| A38DS1029 | 150-0093-01 | | LAMP,INCAND:5V,0.06A,0.05 MSCSP,SEL | 87034 | 9AS15 |
| A38DS1048 | 150-1068-00 | | LT EMITTING DIO:RED | 50434 | HLMP-6320 |
| A38DS1054 | 150-1068-00 | | LT EMITTING DIO:RED | 50434 | HLMP-6320 |
| A38DS1121 | 150-1068-00 | | LT EMITTING DIO:RED | 50434 | HLMP-6320 |
| A38DS2016 | 150-1031-00 | | LT EMITTING DIO:RED,650NM,40MA MAX | 53184 | XC209R |
| A38DS2122 | 150-1068-00 | | LT EMITTING DIO:RED | 50434 | HLMP-6320 |
| A38DS2123 | 150-1068-00 | | LT EMITTING DIO:RED | 50434 | HLMP-6320 |
| A38DS3036 | 150-1068-00 | | LT EMITTING DIO:RED | 50434 | HLMP-6320 |
| A38DS3037 | 150-1068-00 | | LT EMITTING DIO:RED | 50434 | HLMP-6320 |
| A38DS3038 | 150-1068-00 | | LT EMITTING DIO:RED | 50434 | HLMP-6320 |
| A38DS3043 | 150-1068-00 | | LT EMITTING DIO:RED | 50434 | HLMP-6320 |
| A38DS3044 | 150-1068-00 | | LT EMITTING DIO:RED | 50434 | HLMP-6320 |
| A38DS3045 | 150-1068-00 | | LT EMITTING DIO:RED | 50434 | HLMP-6320 |
| A38DS3046 | 150-1068-00 | | LT EMITTING DIO:RED | 50434 | HLMP-6320 |
| A38DS3047 | 150-1068-00 | | LT EMITTING DIO:RED | 50434 | HLMP-6320 |
| A38DS3048 | 150-1068-00 | | LT EMITTING DIO:RED | 50434 | HLMP-6320 |
| A38DS3052 | 150-1068-00 | | LT EMITTING DIO:RED | 50434 | HLMP-6320 |
| A38DS3053 | 150-1068-00 | | LT EMITTING DIO:RED | 50434 | HLMP-6320 |
| A38DS3055 | 150-1068-00 | | LT EMITTING DIO:RED | 50434 | HLMP-6320 |
| A38DS3122 | 150-1068-00 | | LT EMITTING DIO:RED | 50434 | HLMP-6320 |
| A38DS3123 | 150-1068-00 | | LT EMITTING DIO:RED | 50434 | HLMP-6320 |
| A38DS4046 | 150-1068-00 | | LT EMITTING DIO:RED | 50434 | HLMP-6320 |
| A38DS4052 | 150-1068-00 | | LT EMITTING DIO:RED | 50434 | HLMP-6320 |
| A38DS4122 | 150-1068-00 | | LT EMITTING DIO:RED | 50434 | HLMP-6320 |
| A38DS4123 | 150-1068-00 | | LT EMITTING DIO:RED | 50434 | HLMP-6320 |
| A38DS5015 | 150-1029-00 | | LT EMITTING DIO:GREEN,565NM,35MA | 53184 | XC209G |
| A38DS5050 | 150-1068-00 | | LT EMITTING DIO:RED | 50434 | HLMP-6320 |
| A38DS5120 | 150-1068-00 | | LT EMITTING DIO:RED | 50434 | HLMP-6320 |

| Component No. | Tektronix Part No. | Serial/Model No. Eff Dscnt | Name & Description | Mfr Code | Mfr Part Number |
|---------------|--------------------|----------------------------|---------------------------------------|----------|-----------------|
| A38DS5124 | 150-1031-00 | | LT EMITTING DIO:RED,650NM,40MA MAX | 53184 | XC209R |
| A38DS6046 | 150-1033-00 | | LT EMITTING DIO:YELLOW,585NM,40MA MAX | 50434 | HLMP 1401 |
| A38DS6052 | 150-1068-00 | | LT EMITTING DIO:RED | 50434 | HLMP-6320 |
| A38L1021 | 108-0598-00 | | COIL,RF:200UH | 80009 | 108-0598-00 |
| A38Q1031 | 151-0629-00 | | TRANSISTOR:SILICON,NPN | 07263 | FPT110 |
| A38Q1037 | 151-0629-00 | | TRANSISTOR:SILICON,NPN | 07263 | FPT110 |
| A38Q6028 | 151-0301-00 | | TRANSISTOR:SILICON,PNP | 27014 | 2N2907A |
| A38R1014 | 315-0472-00 | | RES.,FXD,CMPSN:4.7K OHM,5%,0.25W | 01121 | CB4725 |
| A38R1015 | 315-0243-00 | | RES.,FXD,CMPSN:24K OHM,5%,0.25W | 01121 | CB2435 |
| A38R1022 | 307-0106-00 | | RES.,FXD,CMPSN:4.7 OHM,5%,0.25W | 01121 | CB47G5 |
| A38R1031 | 315-0563-00 | | RES.,FXD,CMPSN:56K OHM,5%,0.25W | 01121 | CB5635 |
| A38R1037 | 315-0563-00 | | RES.,FXD,CMPSN:56K OHM,5%,0.25W | 01121 | CB5635 |
| A38R1121 | 311-2051-00 | | RES.,VAR,NONWIR:10K OHM,20%,0.5W | 01121 | WRA1A048S102M |
| A38R2014 | 315-0221-00 | | RES.,FXD,CMPSN:220 OHM,5%,0.25W | 01121 | CB2215 |
| A38R2021 | 315-0221-00 | | RES.,FXD,CMPSN:220 OHM,5%,0.25W | 01121 | CB2215 |
| A38R2045 | 307-0594-00 | | RES NTWK,FXD FI:7,220 OHM,2%,1.0W | 91637 | CSP08G01221G |
| A38R3039 | 307-0499-00 | | RES.,FXD,FILM:100K OHM,5%,0.125W | 91637 | MSP10A01104J |
| A38R3128 | 307-0594-00 | | RES NTWK,FXD FI:7,220 OHM,2%,1.0W | 91637 | CSP08G01221G |
| A38R4026 | 307-0106-00 | | RES.,FXD,CMPSN:4.7 OHM,5%,0.25W | 01121 | CB47G5 |
| A38R4028 | 315-0104-00 | | RES.,FXD,CMPSN:100K OHM,5%,0.25W | 01121 | CB1045 |
| A38R4043 | 311-2051-00 | | RES.,VAR,NONWIR:10K OHM,20%,0.5W | 01121 | WRA1A048S102M |
| A38R4050 | 307-0594-00 | | RES NTWK,FXD FI:7,220 OHM,2%,1.0W | 91637 | CSP08G01221G |
| A38R4120 | 315-0221-00 | | RES.,FXD,CMPSN:220 OHM,5%,0.25W | 01121 | CB2215 |
| A38R4121 | 311-2051-00 | | RES.,VAR,NONWIR:10K OHM,20%,0.5W | 01121 | WRA1A048S102M |
| A38R5015 | 315-0221-00 | | RES.,FXD,CMPSN:220 OHM,5%,0.25W | 01121 | CB2215 |
| A38R5022 | 315-0153-00 | | RES.,FXD,CMPSN:15K OHM,5%,0.25W | 01121 | CB1535 |
| A38R5028 | 315-0153-00 | | RES.,FXD,CMPSN:15K OHM,5%,0.25W | 01121 | CB1535 |
| A38R6025 | 315-0473-00 | | RES.,FXD,CMPSN:47K OHM,5%,0.25W | 01121 | CB4735 |
| A38R6028 | 315-0202-00 | | RES.,FXD,CMPSN:2K OHM,5%,0.25W | 01121 | CB2025 |
| A38R6029 | 315-0472-00 | | RES.,FXD,CMPSN:4.7K OHM,5%,0.25W | 01121 | CB4725 |
| A38R6041 | 315-0221-00 | | RES.,FXD,CMPSN:220 OHM,5%,0.25W | 01121 | CB2215 |
| A38R6042 | 307-0594-00 | | RES NTWK,FXD FI:7,22Q OHM,2%,1.0W | 91637 | CSP08G01221G |
| A38R6047 | 315-0472-00 | | RES.,FXD,CMPSN:4.7K OHM,5%,0.25W | 01121 | CB4725 |
| A38R6049 | 311-2049-00 | | RES.,VAR,NONWIR:5K OHM,20%,0.5W | 01121 | WRA1A028S502M |
| A38R6051 | 311-2050-00 | | RES.,VAR,NONWIR:1K OHM,20%,0.5W | 01121 | WRA1A028S102M |
| A38R6056 | 321-0187-00 | | RES.,FXD,FILM:866 OHM,1%,0.125W | 91637 | MFF1816G866R0F |
| A38R6076 | 315-0103-00 | | RES.,FXD,CMPSN:10K OHM,5%,0.25W | 01121 | CB1035 |
| A38R6082 | 321-0198-00 | | RES.,FXD,FILM:1.13K OHM,1%,0.125W | 91637 | MFF1816G11300F |
| A38R6083 | 321-0250-00 | | RES.,FXD,FILM:3.92K OHM,1%,0.125W | 91637 | MFF1816G39200F |
| A38R6104 | 311-2052-00 | | RES.,VAR,NONWIR:20K OHM,20%,0.5W | 01121 | WRA1A028S203M |
| A38R6106 | 311-2052-00 | | RES.,VAR,NONWIR:20K OHM,20%,0.5W | 01121 | WRA1A028S203M |
| A38S1048 | 263-0020-01 | | SWITCH,PB ASSY:MOMENTARY | 80009 | 263-0020-01 |
| A38S1054 | 263-0020-01 | | SWITCH,PB ASSY:MOMENTARY | 80009 | 263-0020-01 |
| A38S1121 | 263-0020-01 | | SWITCH,PB ASSY:MOMENTARY | 80009 | 263-0020-01 |
| A38S2014 | 263-0020-01 | | SWITCH,PB ASSY:MOMENTARY | 80009 | 263-0020-01 |
| A38S2035 | 263-0054-01 | | SWITCH,ROTARY:OPTICAL | 80009 | 263-0054-01 |
| A38S2035 | ----- | | (496P ONLY) | | |
| A38S2056 | 263-0020-02 | | SWITCH,PB ASSY:MOMENTARY | 80009 | 263-0020-02 |
| A38S2122 | 263-0020-01 | | SWITCH,PB ASSY:MOMENTARY | 80009 | 263-0020-01 |
| A38S2123 | 263-0020-01 | | SWITCH,PB ASSY:MOMENTARY | 80009 | 263-0020-01 |
| A38S3036 | 263-0020-01 | | SWITCH,PB ASSY:MOMENTARY | 80009 | 263-0020-01 |
| A38S3037 | 263-0020-01 | | SWITCH,PB ASSY:MOMENTARY | 80009 | 263-0020-01 |
| A38S3038 | 263-0020-01 | | SWITCH,PB ASSY:MOMENTARY | 80009 | 263-0020-01 |
| A38S3043 | 263-0020-01 | | SWITCH,PB ASSY:MOMENTARY | 80009 | 263-0020-01 |
| A38S3044 | 263-0020-01 | | SWITCH,PB ASSY:MOMENTARY | 80009 | 263-0020-01 |

Replaceable Electrical Parts—496/496P Service Vol.2

| Component No. | Tektronix Part No. | Serial/Model No. Eff Dscont | Name & Description | Mfr Code | Mfr Part Number |
|---------------|--------------------|-----------------------------|--|----------|-----------------|
| A38S3045 | 263-0020-01 | | SWITCH,PB ASSY:MOMENTARY | 80009 | 263-0020-01 |
| A38S3046 | 263-0020-01 | | SWITCH,PB ASSY:MOMENTARY | 80009 | 263-0020-01 |
| A38S3047 | 263-0020-01 | | SWITCH,PB ASSY:MOMENTARY | 80009 | 263-0020-01 |
| A38S3048 | 263-0020-01 | | SWITCH,PB ASSY:MOMENTARY | 80009 | 263-0020-01 |
| A38S3052 | 263-0020-01 | | SWITCH,PB ASSY:MOMENTARY | 80009 | 263-0020-01 |
| A38S3053 | 263-0020-01 | | SWITCH,PB ASSY:MOMENTARY | 80009 | 263-0020-01 |
| A38S3055 | 263-0020-01 | | SWITCH,PB ASSY:MOMENTARY | 80009 | 263-0020-01 |
| A38S3122 | 263-0020-01 | | SWITCH,PB ASSY:MOMENTARY | 80009 | 263-0020-01 |
| A38S3123 | 263-0020-01 | | SWITCH,PB ASSY:MOMENTARY | 80009 | 263-0020-01 |
| A38S4046 | 263-0020-01 | | SWITCH,PB ASSY:MOMENTARY | 80009 | 263-0020-01 |
| A38S4052 | 263-0020-01 | | SWITCH,PB ASSY:MOMENTARY | 80009 | 263-0020-01 |
| A38S4122 | 263-0020-01 | | SWITCH,PB ASSY:MOMENTARY | 80009 | 263-0020-01 |
| A38S4123 | 263-0020-01 | | SWITCH,PB ASSY:MOMENTARY | 80009 | 263-0020-01 |
| A38S5050 | 263-0020-01 | | SWITCH,PB ASSY:MOMENTARY | 80009 | 263-0020-01 |
| A38S5120 | 263-0020-01 | | SWITCH,PB ASSY:MOMENTARY | 80009 | 263-0020-01 |
| A38S6052 | 263-0020-01 | | SWITCH,PB ASSY:MOMENTARY | 80009 | 263-0020-01 |
| A38U1011 | 156-0402-03 | | MICROCIRCUIT,LI:TIMER,TESTED | 80009 | 156-0402-03 |
| A38U1047 | 156-0956-02 | | MICROCIRCUIT,DI:OCTAL BFR W/3 STATE OUT | 01295 | SN74LS244NP3 |
| A38U2018 | 156-0388-03 | | MICROCIRCUIT,DI:DUAL D FLIP-FLOP | 07263 | 74LS74A |
| A38U2045 | 156-0651-02 | | MICROCIRCUIT,DI:8 BIT PRL-OUT SER SHF RGTR | 01295 | SN74LS164 |
| A38U3012 | 156-0382-02 | | MICROCIRCUIT,DI:QUAD 2-INP NAND GATE | 01295 | SN74LS00 |
| A38U3014 | 156-0720-02 | | MICROCIRCUIT,DI:HEX DRVR,4 TO 2 LINE | 01295 | SN74LS368 |
| A38U3030 | 156-0651-02 | | MICROCIRCUIT,DI:8 BIT PRL-OUT SER SHF RGTR | 01295 | SN74LS164 |
| A38U3039 | 156-1153-00 | | MICROCIRCUIT,DI:KEYBOARD ENCODER | 80009 | 156-1153-00 |
| A38U4015 | 156-0388-03 | | MICROCIRCUIT,DI:DUAL D FLIP-FLOP | 07263 | 74LS74A |
| A38U4020 | 156-1207-00 | | MICROCIRCUIT,LI:VOLTAGE REGULATOR,-12V | 04713 | MC79L12ACG |
| A38U4031 | 156-0469-02 | | MICROCIRCUIT,DI:3/8 LINE DCDR | 01295 | SN74LS138NP3 |
| A38U5025 | 156-0876-00 | | MICROCIRCUIT,DI:HEX SCMITT TRIGGER | 80009 | 156-0876-00 |
| A38U5045 | 156-0651-02 | | MICROCIRCUIT,DI:8 BIT PRL-OUT SER SHF RGTR | 01295 | SN74LS164 |
| A38U6025 | 156-0786-02 | | MICROCIRCUIT,DI:QUAD EXCLUSIVE OR GATE | 04713 | MC14070BCLD |
| A38U6075 | 156-0651-02 | | MICROCIRCUIT,DI:8 BIT PRL-OUT SER SHF RGTR | 01295 | SN74LS164 |
| A38U6090 | 156-1161-00 | | MICROCIRCUIT,LI:VOLTAGE REGULATOR | 27014 | LM317T |

| Component No. | Tektronix Part No. | Serial/Model No. Eff Dscont | Name & Description | Mfr Code | Mfr Part Number |
|---------------|--------------------|-----------------------------|------------------------------------|----------|------------------|
| A40 | 670-6956-00 | | CKT BOARD ASSY:VIDEO PROCESSOR | 80009 | 670-6956-00 |
| A40C2016 | 285-1056-00 | | CAP.,FXD,PLSTC:1UF,2%,50V | 14752 | 650B1A105G |
| A40C2062 | 283-0024-00 | | CAP.,FXD,CER DI:0.1UF,+80-20%,50V | 72982 | 8121N083Z5U0104Z |
| A40C2066 | 283-0024-00 | | CAP.,FXD,CER DI:0.1UF,+80-20%,50V | 72982 | 8121N083Z5U0104Z |
| A40C2068 | 283-0024-00 | | CAP.,FXD,CER DI:0.1UF,+80-20%,50V | 72982 | 8121N083Z5U0104Z |
| A40C2069 | 283-0644-00 | | CAP.,FXD,MICA D:150PF,1%,500V | 00853 | D155F151F0 |
| A40C3011 | 283-0024-00 | | CAP.,FXD,CER DI:0.1UF,+80-20%,50V | 72982 | 8121N083Z5U0104Z |
| A40C3015 | 283-0024-00 | | CAP.,FXD,CER DI:0.1UF,+80-20%,50V | 72982 | 8121N083Z5U0104Z |
| A40C3020 | 285-0597-00 | | CAP.,FXD,PLSTC:0.001UF,1%,100V | 14752 | 410B1B102F |
| A40C3035 | 283-0024-00 | | CAP.,FXD,CER DI:0.1UF,+80-20%,50V | 72982 | 8121N083Z5U0104Z |
| A40C3037 | 283-0024-00 | | CAP.,FXD,CER DI:0.1UF,+80-20%,50V | 72982 | 8121N083Z5U0104Z |
| A40C3042 | 290-0158-00 | | CAP.,FXD,ELCTLT:50UF,+75-15%,25V | 56289 | 109D506C7025F2 |
| A40C3048 | 290-0261-00 | | CAP.,FXD,ELCTLT:6.8UF,10%,35V | 12954 | D6R8B35K1 |
| A40C3052 | 290-0261-00 | | CAP.,FXD,ELCTLT:6.8UF,10%,35V | 12954 | D6R8B35K1 |
| A40C3056 | 283-0024-00 | | CAP.,FXD,CER DI:0.1UF,+80-20%,50V | 72982 | 8121N083Z5U0104Z |
| A40C3067 | 283-0024-00 | | CAP.,FXD,CER DI:0.1UF,+80-20%,50V | 72982 | 8121N083Z5U0104Z |
| A40C4011 | 283-0024-00 | | CAP.,FXD,CER DI:0.1UF,+80-20%,50V | 72982 | 8121N083Z5U0104Z |
| A40C4014 | 283-0024-00 | | CAP.,FXD,CER DI:0.1UF,+80-20%,50V | 72982 | 8121N083Z5U0104Z |
| A40C4061 | 283-0024-00 | | CAP.,FXD,CER DI:0.1UF,+80-20%,50V | 72982 | 8121N083Z5U0104Z |
| A40C4068 | 283-0339-00 | | CAP.,FXD,CER DI:0.22UF,10%,50V | 72982 | 8131N075W5R224K |
| A40CR3026 | 152-0664-00 | | SEMICONV DEVICE: SWITCHING,SI,70V | 50434 | 5082-2800 |
| A40CR4065 | 152-0141-02 | | SEMICONV DEVICE: SILICON,30V,150MA | 01295 | 1N4152R |
| A40L3052 | 108-0881-00 | | COIL,RF:FIXED,40.1UH | 80009 | 108-0881-00 |
| A40L4053 | 108-0881-00 | | COIL,RF:FIXED,40.1UH | 80009 | 108-0881-00 |
| A40R2021 | 321-0265-00 | | RES.,FXD,FILM:5.62K OHM,1%,0.125W | 91637 | MFF1816G56200F |
| A40R2022 | 321-0361-00 | | RES.,FXD,FILM:56.2K OHM,1%,0.125W | 91637 | MFF1816G56201F |
| A40R2023 | 321-0452-00 | | RES.,FXD,FILM:499K OHM,1%,0.125W | 91637 | MFF1816G49902F |
| A40R2062 | 315-0101-00 | | RES.,FXD,CMPSN:100 OHM,5%,0.25W | 01121 | CB1015 |
| A40R2063 | 315-0101-00 | | RES.,FXD,CMPSN:100 OHM,5%,0.25W | 01121 | CB1015 |
| A40R2064 | 321-0160-00 | | RES.,FXD,FILM:453 OHM,1%,0.125W | 91637 | MFF1816G453R0F |
| A40R2065 | 315-0103-00 | | RES.,FXD,CMPSN:10K OHM,5%,0.25W | 01121 | CB1035 |
| A40R2069 | 315-0101-00 | | RES.,FXD,CMPSN:100 OHM,5%,0.25W | 01121 | CB1015 |
| A40R3011 | 321-0335-00 | | RES.,FXD,FILM:30.1K OHM,1%,0.125W | 91637 | CMF55116G30101F |
| A40R3012 | 321-0289-00 | | RES.,FXD,FILM:10K OHM,1%,0.125W | 91637 | MFF1816G10001F |
| A40R3022 | 315-0681-00 | | RES.,FXD,CMPSN:680 OHM,5%,0.25W | 01121 | CB6815 |
| A40R3024 | 315-0512-00 | | RES.,FXD,CMPSN:5.1K OHM,5%,0.25W | 01121 | CB5125 |
| A40R3025 | 315-0512-00 | | RES.,FXD,CMPSN:5.1K OHM,5%,0.25W | 01121 | CB5125 |
| A40R3028 | 321-0330-00 | | RES.,FXD,FILM:26.7K OHM,1%,0.125W | 91637 | MFF1816G26701F |
| A40R3053 | 315-0101-00 | | RES.,FXD,CMPSN:100 OHM,5%,0.25W | 01121 | CB1015 |
| A40R3058 | 315-0152-00 | | RES.,FXD,CMPSN:1.5K OHM,5%,0.25W | 01121 | CB1525 |
| A40R3059 | 315-0101-00 | | RES.,FXD,CMPSN:100 OHM,5%,0.25W | 01121 | CB1015 |
| A40R3064 | 321-0289-00 | | RES.,FXD,FILM:10K OHM,1%,0.125W | 91637 | MFF1816G10001F |
| A40R3067 | 315-0104-00 | | RES.,FXD,CMPSN:100K OHM,5%,0.25W | 01121 | CB1045 |
| A40R3068 | 315-0101-00 | | RES.,FXD,CMPSN:100 OHM,5%,0.25W | 01121 | CB1015 |
| A40R3069 | 321-0342-00 | | RES.,FXD,FILM:35.7K OHM,1%,0.125W | 91637 | MFF1816G35701F |
| A40R4011 | 321-0289-00 | | RES.,FXD,FILM:10K OHM,1%,0.125W | 91637 | MFF1816G10001F |
| A40R4012 | 321-0289-00 | | RES.,FXD,FILM:10K OHM,1%,0.125W | 91637 | MFF1816G10001F |
| A40R4013 | 321-0335-00 | | RES.,FXD,FILM:30.1K OHM,1%,0.125W | 91637 | CMF55116G30101F |
| A40R4014 | 321-0335-00 | | RES.,FXD,FILM:30.1K OHM,1%,0.125W | 91637 | CMF55116G30101F |
| A40R4015 | 321-0325-00 | | RES.,FXD,FILM:23.7K OHM,1%,0.125W | 91637 | MFF1816G23701F |
| A40R4017 | 321-0289-00 | | RES.,FXD,FILM:10K OHM,1%,0.125W | 91637 | MFF1816G10001F |
| A40R4018 | 321-0335-00 | | RES.,FXD,FILM:30.1K OHM,1%,0.125W | 91637 | CMF55116G30101F |
| A40R4022 | 315-0911-00 | | RES.,FXD,CMPSN:910 OHM,5%,0.25W | 01121 | CB9115 |
| A40R4023 | 321-0318-00 | | RES.,FXD,FILM:20K OHM,1%,0.125W | 91637 | MFF1816G20001F |
| A40R4024 | 321-0333-00 | | RES.,FXD,FILM:28.7K OHM,1%,0.125W | 91637 | MFF1816G28701F |

Replaceable Electrical Parts—496/496P Service Vol.2

| Component No. | Tektronix Part No. | Serial/Model No. Eff Dscont | Name & Description | Mfr Code | Mfr Part Number |
|---------------|--------------------|-----------------------------|--|----------|-----------------|
| A40R4025 | 315-0104-00 | | RES.,FXD,CMPSN:100K OHM,5%,0.25W | 01121 | CB1045 |
| A40R4046 | 321-0289-00 | | RES.,FXD,FILM:10K OHM,1%,0.125W | 91637 | MFF1816G10001F |
| A40R4061 | 315-0101-00 | | RES.,FXD,CMPSN:100 OHM,5%,0.25W | 01121 | CB1015 |
| A40R4062 | 321-0254-00 | | RES.,FXD,FILM:4.32K OHM,1%,0.125W | 91637 | MFF1816G43200F |
| A40R4063 | 321-0304-00 | | RES.,FXD,FILM:14.3K OHM,1%,0.125W | 91637 | MFF1816G14301F |
| A40R4064 | 321-0201-00 | | RES.,FXD,FILM:1.21K OHM,1%,0.125W | 91637 | MFF1816G12100F |
| A40R4065 | 315-0106-00 | | RES.,FXD,CMPSN:10M OHM,5%,0.25W | 01121 | CB1065 |
| A40R4066 | 315-0101-00 | | RES.,FXD,CMPSN:100 OHM,5%,0.25W | 01121 | CB1015 |
| A40R4067 | 315-0122-00 | | RES.,FXD,CMPSN:1.2K OHM,5%,0.25W | 01121 | CB1225 |
| A40R4068 | 315-0104-00 | | RES.,FXD,CMPSN:100K OHM,5%,0.25W | 01121 | CB1045 |
| A40U2015 | 156-1211-00 | | MICROCKT,INTFC:QUAD SPST SWITCH,2NC,2NO | 80009 | 156-1211-00 |
| A40U2066 | 156-0770-00 | | MICROCIRCUIT,LI:OPERATIONAL AMPLIFIER | 27014 | LF356H |
| A40U3015 | 156-0570-00 | | MICROCIRCUIT,LI:DUAL HIGH SPEED COMPARATOR | 27014 | LM319H |
| A40U3025 | 156-1211-00 | | MICROCKT,INTFC:QUAD SPST SWITCH,2NC,2NO | 80009 | 156-1211-00 |
| A40U3035 | 156-0913-02 | | MICROCIRCUIT,DI:OCTAL D FF,BURN-IN | 04713 | SN74LS377NDS |
| A40U3040 | 156-0469-02 | | MICROCIRCUIT,DI:3/8 LINE DCDR | 01295 | SN74LS138NP3 |
| A40U3062 | 156-0770-00 | | MICROCIRCUIT,LI:OPERATIONAL AMPLIFIER | 27014 | LF356H |
| A40U3063 | 156-1211-00 | | MICROCKT,INTFC:QUAD SPST SWITCH,2NC,2NO | 80009 | 156-1211-00 |
| A40U3067 | 156-1156-00 | | MICROCIRCUIT,LI:OPERATIONAL AMPLIFIER | 27014 | LF356N |
| A40VR3011 | 152-0514-00 | | SEMICONV DEVICE:ZENER,0.4W,10V,1% | 80009 | 152-0514-00 |
| A40VR4011 | 152-0514-00 | | SEMICONV DEVICE:ZENER,0.4W,10V,1% | 80009 | 152-0514-00 |
| A40W3058 | 131-0993-00 | | BUS,CONDUCTOR:2 WIRE BLACK | 00779 | 850100-01 |

| Component No. | Tektronix Part No. | Serial/Model No. Eff | Dscont | Name & Description | Mfr Code | Mfr Part Number |
|---------------|--------------------|----------------------|---------|--------------------------------------|----------|------------------|
| A44 | 670-6955-00 | B010100 | B010264 | CKT BOARD ASSY:1ST LO DRIVER | 80009 | 670-6955-00 |
| A44 | 670-6955-01 | B010265 | B010449 | CKT BOARD ASSY:1ST LO DRIVER | 80009 | 670-6955-01 |
| A44 | 670-6955-02 | B010450 | | CKT BOARD ASSY:1ST LO DRIVER | 80009 | 670-6955-02 |
| A44C1011 | 283-0203-00 | | | CAP.,FXD,CER DI:0.47UF,20%,50V | 72982 | 8131M058Z5U0474M |
| A44C1020 | 283-0326-00 | | | CAP.,FXD,CER DI:0.082UF,10%,50V | 72982 | 8121N075X7R0823K |
| A44C1029 | 283-0326-00 | | | CAP.,FXD,CER DI:0.082UF,10%,50V | 72982 | 8121N075X7R0823K |
| A44C2025 | 290-0301-00 | | | CAP.,FXD,ELCTLT:10UF,10%,20V | 56289 | 150D106X9020B2 |
| A44C2026 | 283-0326-00 | | | CAP.,FXD,CER DI:0.082UF,10%,50V | 72982 | 8121N075X7R0823K |
| A44C2032 | 283-0060-00 | | | CAP.,FXD,CER DI:100PF,5%,200V | 59660 | 855-535U2J101J |
| A44C2042 | 283-0065-00 | B010265 | | CAP.,FXD,CER DI:0.001UF,5%,100V | 59660 | 0835-591Y5E0102J |
| A44C2043 | 283-0213-00 | B010265 | | CAP.,FXD,CER DI:300PF,5%,100V | 72982 | 8121N130C0G0301J |
| A44C2044 | 283-0198-00 | | | CAP.,FXD,CER DI:0.22UF,20%,50V | 56289 | 1C10Z5U223M050B |
| A44C2045 | 283-0005-00 | | | CAP.,FXD,CER DI:0.01UF,+100-0%,250V | 72982 | 8131N300Z5U0103P |
| A44C2046 | 283-0060-00 | | | CAP.,FXD,CER DI:100PF,5%,200V | 59660 | 855-535U2J101J |
| A44C2048 | 283-0212-00 | | | CAP.,FXD,CER DI:2UF,20%,50V | 51642 | 400-050-Z5U205M |
| A44C2050 | 283-0195-00 | | | CAP.,FXD,CER DI:680PF,5%,50V | 72982 | 8121N075C0G0681J |
| A44C2051 | 283-0005-00 | | | CAP.,FXD,CER DI:0.01UF,+100-0%,250V | 72982 | 8131N300Z5U0103P |
| A44C2054 | 283-0060-00 | | | CAP.,FXD,CER DI:100PF,5%,200V | 59660 | 855-535U2J101J |
| A44C3019 | 283-0111-00 | | | CAP.,FXD,CER DI:0.1UF,20%,50V | 56289 | 273C11 |
| A44C3034 | 283-0111-00 | | | CAP.,FXD,CER DI:0.1UF,20%,50V | 56289 | 273C11 |
| A44C3038 | 290-0312-00 | B010100 | B010449 | CAP.,FXD,ELCTLT:47UF,10%,35V | 56289 | 150D476X9035S2 |
| A44C3038 | 290-0982-00 | B010450 | | CAP.,FXD,ELCTLT:47UF,10%,35V | 05397 | T110D476K035AS |
| A44C3039 | 290-0574-00 | | | CAP.,FXD,ELCTLT:47UF,10%,20V | 90201 | TDC476K020CL |
| A44C3045 | 283-0177-00 | | | CAP.,FXD,CER DI:1UF,+80-20%,25V | 56289 | 2C20Z5U105Z025B |
| A44C3046 | 290-0158-00 | | | CAP.,FXD,ELCTLT:50UF,+75-15%,25V | 56289 | 109D506C7025F2 |
| A44C3047 | 290-0776-00 | | | CAP.,FXD,ELCTLT:22UF,+50-10%,10V | 55680 | ULA1A220TEA |
| A44C3048 | 283-0191-00 | | | CAP.,FXD,CER DI:0.022UF,20%,50V | 72982 | 8121N075Z5U0223M |
| A44C3055 | 290-0302-00 | | | CAP.,FXD,ELCTLT:100UF,10%,20V | 12954 | D100D20KI |
| A44C4014 | 283-0111-00 | | | CAP.,FXD,CER DI:0.1UF,20%,50V | 56289 | 273C11 |
| A44C4046 | 290-0574-00 | | | CAP.,FXD,ELCTLT:47UF,10%,20V | 90201 | TDC476K020CL |
| A44C4055 | 283-0077-00 | | | CAP.,FXD,CER DI:330PF,5%,500V | 59660 | 831-500B331J |
| A44CR1052 | 152-0141-02 | | | SEMICONV DEVICE:SILICON,30V,150MA | 01295 | 1N4152R |
| A44CR1053 | 152-0141-02 | | | SEMICONV DEVICE:SILICON,30V,150MA | 01295 | 1N4152R |
| A44CR1054 | 152-0141-02 | | | SEMICONV DEVICE:SILICON,30V,150MA | 01295 | 1N4152R |
| A44CR2024 | 152-0141-02 | | | SEMICONV DEVICE:SILICON,30V,150MA | 01295 | 1N4152R |
| A44CR3031 | 152-0141-02 | | | SEMICONV DEVICE:SILICON,30V,150MA | 01295 | 1N4152R |
| A44CR3044 | 152-0323-00 | | | SEMICONV DEVICE:SILICON,35V,0.1A | 80009 | 152-0323-00 |
| A44CR3047 | 152-0333-00 | | | SEMICONV DEVICE:SILICON,55V,200MA | 07263 | FDH-6012 |
| A44K3034 | 148-0064-00 | | | RELAY,REED:SPST | 95348 | F81-1441 |
| A44L4038 | 108-0881-00 | | | COIL,RF:FIXED,40.1UH | 80009 | 108-0881-00 |
| A44L4041 | 108-0881-00 | | | COIL,RF:FIXED,40.1UH | 80009 | 108-0881-00 |
| A44Q2026 | 151-1022-00 | | | TRANSISTOR:FET,N-CHAN,SI,F1782,T0-18 | 17856 | FN1234 |
| A44Q2029 | 151-0302-00 | | | TRANSISTOR:SILICON,NPN | 07263 | S038487 |
| A44Q2033 | 151-1022-00 | | | TRANSISTOR:FET,N-CHAN,SI,F1782,T0-18 | 17856 | FN1234 |
| A44Q2035 | 151-0301-00 | | | TRANSISTOR:SILICON,PNP | 27014 | 2N2907A |
| A44Q2039 | 151-0302-00 | | | TRANSISTOR:SILICON,NPN | 07263 | S038487 |
| A44Q2040 | 151-1022-00 | | | TRANSISTOR:FET,N-CHAN,SI,F1782,T0-18 | 17856 | FN1234 |
| A44Q2045 | 151-0619-00 | | | TRANSISTOR:SILICON,NPN,DUAL | 27014 | SL41341 |
| A44Q2051 | 151-0301-00 | | | TRANSISTOR:SILICON,PNP | 27014 | 2N2907A |
| A44Q2052 | 151-0619-00 | | | TRANSISTOR:SILICON,NPN,DUAL | 27014 | SL41341 |
| A44Q3028 | 151-0302-00 | | | TRANSISTOR:SILICON,NPN | 07263 | S038487 |
| A44Q3042 | 151-1022-00 | | | TRANSISTOR:FET,N-CHAN,SI,F1782,T0-18 | 17856 | FN1234 |
| A44Q3047 | 151-1022-00 | | | TRANSISTOR:FET,N-CHAN,SI,F1782,T0-18 | 17856 | FN1234 |
| A44Q3049 | 151-0301-00 | | | TRANSISTOR:SILICON,PNP | 27014 | 2N2907A |
| A44R1020 | 321-0001-00 | | | RES.,FXD,FILM:10 OHM,1%,0.125W | 75042 | CEAT0-10R00F |

Replaceable Electrical Parts—496/496P Service Vol.2

| Component No. | Tektronix Part No. | Serial/Model No. Eff | Dscont | Name & Description | Mfr Code | Mfr Part Number |
|---------------|--------------------|----------------------|---------|---------------------------------------|----------|------------------|
| A44R1021 | 315-0202-00 | | | RES.,FXD,CMPSN:2K OHM,5%,0.25W | 01121 | CB2025 |
| A44R1027 | 321-0286-00 | | | RES.,FXD,FILM:9.31K OHM,1%,0.125W | 91637 | MFF1816G93100F |
| A44R1028 | 321-0332-00 | B010100 | B010449 | RES.,FXD,FILM:28K OHM,1%,0.125W | 91637 | MFF1816G28001F |
| A44R1028 | 321-0325-00 | B010450 | | RES.,FXD,FILM:23.7K OHM,1%,0.125W | 91637 | MFF1816G23701F |
| A44R1028 | ----- | | | (NOM VALUE, SELECTED) | | |
| A44R1029 | 321-0001-00 | | | RES.,FXD,FILM:10 OHM,1%,0.125W | 75042 | CEAT0-10R00F |
| A44R1030 | 317-0102-00 | B010450 | | RES.,FXD,CMPSN:1K OHM,5%,0.125W | 01121 | BB1025 |
| A44R1031 | 311-2168-00 | | | RES.,VAR,NONWIR:TRMR,10K OHM,10%,0.5W | 18612 | 1280 10K OHM 10% |
| A44R1032 | 311-2168-00 | | | RES.,VAR,NONWIR:TRMR,10K OHM,10%,0.5W | 18612 | 1280 10K OHM 10% |
| A44R1034 | 311-2168-00 | | | RES.,VAR,NONWIR:TRMR,10K OHM,10%,0.5W | 18612 | 1280 10K OHM 10% |
| A44R1035 | 315-0102-00 | | | RES.,FXD,CMPSN:1K OHM,5%,0.25W | 01121 | CB1025 |
| A44R1036 | 315-0102-00 | | | RES.,FXD,CMPSN:1K OHM,5%,0.25W | 01121 | CB1025 |
| A44R1037 | 321-0373-00 | | | RES.,FXD,FILM:75K OHM, 1%,0.125W | 91637 | MFF1816G75001F |
| A44R1038 | 321-0289-07 | | | RES.,FXD,FILM:10K OHM,0.1%,0.125W | 91637 | MFF1816G10001B |
| A44R1039 | 321-0273-00 | | | RES.,FXD,FILM:6.81K OHM,1%,0.125W | 91637 | MFF1816G68100F |
| A44R1040 | 310-0707-00 | | | RES.,FXD,WW:25 OHM,1.0%,6W | 80009 | 310-0707-00 |
| A44R1041 | 315-0102-00 | | | RES.,FXD,CMPSN:1K OHM,5%,0.25W | 01121 | CB1025 |
| A44R1042 | 321-0322-00 | | | RES.,FXD,FILM:22.1K OHM,1%,0.125W | 91637 | MFF1816G22101F |
| A44R1043 | 321-0322-00 | | | RES.,FXD,FILM:22.1K OHM,1%,0.125W | 91637 | MFF1816G22101F |
| A44R1044 | 321-0090-00 | | | RES.,FXD,FILM:84.5 OHM,1%,0.125W | 91637 | MFF1816G84R50F |
| A44R1045 | 321-0207-00 | | | RES.,FXD,FILM:1.4K OHM,1%,0.125W | 91637 | MFF1816G14000F |
| A44R1046 | 321-0373-00 | | | RES.,FXD,FILM:75K OHM, 1%,0.125W | 91637 | MFF1816G75001F |
| A44R1047 | 315-0472-00 | | | RES.,FXD,CMPSN:4.7K OHM,5%,0.25W | 01121 | CB4725 |
| A44R1048 | 315-0302-00 | | | RES.,FXD,CMPSN:3K OHM,5%,0.25W | 01121 | CB3025 |
| A44R1049 | 321-0306-00 | | | RES.,FXD,FILM:15K OHM,1%,0.125W | 91637 | MFF1816G15001F |
| A44R1050 | 321-0306-00 | | | RES.,FXD,FILM:15K OHM,1%,0.125W | 91637 | MFF1816G15001F |
| A44R1051 | 321-0306-00 | | | RES.,FXD,FILM:15K OHM,1%,0.125W | 91637 | MFF1816G15001F |
| A44R1052 | 321-0373-00 | | | RES.,FXD,FILM:75K OHM, 1%,0.125W | 91637 | MFF1816G75001F |
| A44R1053 | 315-0102-00 | | | RES.,FXD,CMPSN:1K OHM,5%,0.25W | 01121 | CB1025 |
| A44R1054 | 315-0200-00 | | | RES.,FXD,CMPSN:20 OHM,5%,0.25W | 01121 | CB2005 |
| A44R1055 | 321-0163-00 | | | RES.,FXD,FILM:487 OHM,1%,0.125W | 91637 | MFF1816G487R0F |
| A44R2026 | 315-0472-00 | | | RES.,FXD,CMPSN:4.7K OHM,5%,0.25W | 01121 | CB4725 |
| A44R2027 | 321-0896-03 | | | RES.,FXD,FILM:9.8K OHM,0.25%,0.125W | 91637 | MFF1816D98000C |
| A44R2028 | 315-0474-00 | | | RES.,FXD,CMPSN:470K OHM,5%,0.25W | 01121 | CB4745 |
| A44R2029 | 315-0510-00 | | | RES.,FXD,CMPSN:51 OHM,5%,0.25W | 01121 | CB5105 |
| A44R2030 | 321-1328-01 | | | RES.,FXD,FILM:25.8K OHM,0.5%,0.125W | 91637 | MFF1816G25801D |
| A44R2031 | 321-0310-00 | | | RES.,FXD,FILM:16.5K OHM,1%,0.125W | 91637 | MFF1816G16501F |
| A44R2036 | 325-0289-00 | | | RES.,FXD,FILM:22K OHM,1%,0.3W | 07088 | K747 22 K OHM 1% |
| A44R2037 | 325-0258-00 | | | RES.,FXD,FILM:5.62K OHM,0.25%,0.3W | 07088 | K747 5.62 K OHM |
| A44R2041 | 321-0314-00 | | | RES.,FXD,FILM:18.2K OHM,1%,0.125W | 91637 | MFF1816G18201F |
| A44R2042 | 321-0245-00 | | | RES.,FXD,FILM:3.48K OHM,1%,0.125W | 91637 | MFF1816G34800F |
| A44R2043 | 321-0377-00 | | | RES.,FXD,FILM:82.5K OHM,1%,0.125W | 91637 | MFF1816G82501F |
| A44R2044 | 315-0274-00 | | | RES.,FXD,CMPSN:270K OHM,5%,0.25W | 01121 | CB2745 |
| A44R2051 | 325-0326-00 | | | RES.,FXD,FILM:2.67K OHM,0.5%,1PPM | 07088 | K747 2.67K OHM |
| A44R2052 | 325-0327-00 | | | RES.,FXD,FILM:4.72K OHM,0.5%,1PPM | 07088 | K747 4.72K OHM |
| A44R2053 | 321-0263-00 | | | RES.,FXD,FILM:5.36K OHM,1%,0.125W | 91637 | MFF1816G53600F |
| A44R2054 | 315-0102-00 | | | RES.,FXD,CMPSN:1K OHM,5%,0.25W | 01121 | CB1025 |
| A44R3011 | 315-0274-00 | | | RES.,FXD,CMPSN:270K OHM,5%,0.25W | 01121 | CB2745 |
| A44R3012 | 315-0203-00 | | | RES.,FXD,CMPSN:20K OHM,5%,0.25W | 01121 | CB2035 |
| A44R3028 | 315-0912-00 | | | RES.,FXD,CMPSN:9.1K OHM,5%,0.25W | 01121 | CB9125 |
| A44R3031 | 315-0562-00 | | | RES.,FXD,CMPSN:5.6K OHM,5%,0.25W | 01121 | CB5625 |
| A44R3040 | 315-0154-00 | | | RES.,FXD,CMPSN:150K OHM,5%,0.25W | 01121 | CB1545 |
| A44R3041 | 315-0274-00 | | | RES.,FXD,CMPSN:270K OHM,5%,0.25W | 01121 | CB2745 |
| A44R3042 | 315-0104-00 | | | RES.,FXD,CMPSN:100K OHM,5%,0.25W | 01121 | CB1045 |
| A44R3046 | 315-0222-00 | | | RES.,FXD,CMPSN:2.2K OHM,5%,0.25W | 01121 | CB2225 |

| Component No. | Tektronix Part No. | Serial/Model No. Eff | Dscont | Name & Description | Mfr Code | Mfr Part Number |
|---------------|--------------------|----------------------|---------|--|----------|-----------------|
| A44R3048 | 315-0102-00 | | | RES.,FXD,CMPSN:1K OHM,5%,0.25W | 01121 | CB1025 |
| A44R3049 | 315-0123-00 | | | RES.,FXD,CMPSN:12K OHM,5%,0.25W | 01121 | CB1235 |
| A44R3050 | 315-0103-00 | | | RES.,FXD,CMPSN:10K OHM,5%,0.25W | 01121 | CB1035 |
| A44R4012 | 315-0473-00 | | | RES.,FXD,CMPSN:47K OHM,5%,0.25W | 01121 | CB4735 |
| A44R4014 | 315-0101-00 | | | RES.,FXD,CMPSN:100 OHM,5%,0.25W | 01121 | CB1015 |
| A44R4015 | 315-0101-00 | | | RES.,FXD,CMPSN:100 OHM,5%,0.25W | 01121 | CB1015 |
| A44R4037 | 315-0470-00 | | | RES.,FXD,CMPSN:47 OHM,5%,0.25W | 01121 | CB4705 |
| A44R4038 | 307-0103-00 | | | RES.,FXD,CMPSN:2.7 OHM,5%,0.25W | 01121 | CB27G5 |
| A44R4043 | 307-0103-00 | | | RES.,FXD,CMPSN:2.7 OHM,5%,0.25W | 01121 | CB27G5 |
| A44R4044 | 315-0470-00 | | | RES.,FXD,CMPSN:47 OHM,5%,0.25W | 01121 | CB4705 |
| A44R4051 | 315-0103-00 | | | RES.,FXD,CMPSN:10K OHM,5%,0.25W | 01121 | CB1035 |
| A44R4052 | 321-0233-00 | | | RES.,FXD,FILM:2.61K OHM,1%,0.125W | 91637 | MFF1816G26100F |
| A44R4053 | 321-0233-00 | | | RES.,FXD,FILM:2.61K OHM,1%,0.125W | 91637 | MFF1816G26100F |
| A44R4054 | 315-0100-00 | | | RES.,FXD,CMPSN:10 OHM,5%,0.25W | 01121 | CB1005 |
| A44U1025 | 156-0158-04 | | | MICROCIRCUIT,LI:DUAL OPERATIONAL AMPLIFIER | 01295 | N99320JG |
| A44U2032 | 156-0512-02 | B010100 | B010199 | MICROCIRCUIT,LI:OPERATIONAL AMPLIFIER,SEL | 04713 | LM308J-8DS |
| A44U2032 | 156-0512-03 | B010200 | | MICROCIRCUIT,LI:OPERATIONAL AMPLIFIER | 04713 | LM308J-8 |
| A44U2043 | 156-0512-02 | B010100 | B010199 | MICROCIRCUIT,LI:OPERATIONAL AMPLIFIER,SEL | 04713 | LM308J-8DS |
| A44U2043 | 156-0512-03 | B010200 | | MICROCIRCUIT,LI:OPERATIONAL AMPLIFIER | 04713 | LM308J-8 |
| A44U2052 | 156-0512-02 | B010100 | B010199 | MICROCIRCUIT,LI:OPERATIONAL AMPLIFIER,SEL | 04713 | LM308J-8DS |
| A44U2052 | 156-0512-03 | B010200 | | MICROCIRCUIT,LI:OPERATIONAL AMPLIFIER | 04713 | LM308J-8 |
| A44U3014 | 156-0411-02 | | | MICROCIRCUIT,LI:QUAD COMPARATOR,SEL | 04713 | LM339JDS |
| A44U4017 | 156-0913-02 | | | MICROCIRCUIT,DI:OCTAL D FF,BURN-IN | 04713 | SN74LS377NDS |
| A44U4034 | 156-0469-02 | | | MICROCIRCUIT,DI:3/8 LINE DC DR | 01295 | SN74LS138NP3 |
| A44U4055 | 156-0105-02 | | | MICROCIRCUIT,LI:OPERATIONAL AMPLIFIER,SEL | 01295 | LM301AJG4 |
| A44VR1055 | 152-0526-00 | | | SEMICONV DEVICE:ZENER,6.35V,1%,7.5MA | 80009 | 152-0526-00 |
| A44VR3048 | 152-0280-00 | | | SEMICONV DEVICE:ZENER,0.4W,6.2V,5% | 80009 | 152-0280-00 |
| A44W1021 | 131-0566-00 | | | BUS CONDUCTOR:DUMMY RES,2.375,22 AWG | 57668 | JWW-0200E0 |
| A44W2034 | 131-0566-00 | | | BUS CONDUCTOR:DUMMY RES,2.375,22 AWG | 57668 | JWW-0200E0 |
| A44W2045 | 131-0566-00 | | | BUS CONDUCTOR:DUMMY RES,2.375,22 AWG | 57668 | JWW-0200E0 |

Replaceable Electrical Parts—496/496P Service Vol.2

| Component No. | Tektronix Part No. | Serial/Model No. | | Name & Description | Mfr Code | Mfr Part Number |
|---------------|--------------------|------------------|----------|-------------------------------------|----------|------------------|
| | | Eff | Dscont | | | |
| A46 | 670-5547-01 | B010100 | B010399 | CKT BOARD ASSY: CENTER FREQ CONTROL | 80009 | 670-5547-01 |
| A46 | 670-5547-02 | B010400 | | CKT BOARD ASSY: CENTER FREQ CONTROL | 80009 | 670-5547-02 |
| A46C1024 | 283-0256-00 | B010105 | | CAP.,FXD,CER DI:130PF,5%,100V | 51642 | 200-100N1500131J |
| A46C1042 | 283-0330-00 | B010105 | B010469 | CAP.,FXD,CER DI:100PF,5%,50V | 51642 | 150-050-NP0-101J |
| A46C1043 | 283-0330-00 | B010100 | B010469 | CAP.,FXD,CER DI:100PF,5%,50V | 51642 | 150-050-NP0-101J |
| A46C1044 | 283-0204-00 | | | CAP.,FXD,CER DI:0.01UF,20%,50V | 96733 | R2676 |
| A46C2031 | 290-0536-00 | | | CAP.,FXD,ELCTLT:10UF,20%,25V | 90201 | TDC106M025FL |
| A46C2032 | 290-0536-00 | | | CAP.,FXD,ELCTLT:10UF,20%,25V | 90201 | TDC106M025FL |
| A46C2033 | 290-0536-00 | | | CAP.,FXD,ELCTLT:10UF,20%,25V | 90201 | TDC106M025FL |
| A46C2034 | 290-0536-00 | | | CAP.,FXD,ELCTLT:10UF,20%,25V | 90201 | TDC106M025FL |
| A46C2035 | 290-0536-00 | | | CAP.,FXD,ELCTLT:10UF,20%,25V | 90201 | TDC106M025FL |
| A46C2036 | 290-0536-00 | | | CAP.,FXD,ELCTLT:10UF,20%,25V | 90201 | TDC106M025FL |
| A46C2044 | 283-0204-00 | | | CAP.,FXD,CER DI:0.01UF,20%,50V | 96733 | R2676 |
| A46C2045 | 283-0330-00 | B010100 | B010469 | CAP.,FXD,CER DI:100PF,5%,50V | 51642 | 150-050-NP0-101J |
| A46C2046 | 285-0894-00 | | | CAP.,FXD,PLSTC:5UF,5%,50V | 56289 | LP66A1A505J002 |
| A46C3024 | 283-0256-00 | B010105 | | CAP.,FXD,CER DI:130PF,5%,100V | 51642 | 200-100N1500131J |
| A46C3037 | 283-0204-00 | | | CAP.,FXD,CER DI:0.01UF,20%,50V | 96733 | R2676 |
| A46C3038 | 283-0330-00 | B010100 | B010469 | CAP.,FXD,CER DI:100PF,5%,50V | 51642 | 150-050-NP0-101J |
| A46C3039 | 283-0330-00 | B010105 | B010469 | CAP.,FXD,CER DI:100PF,5%,50V | 51642 | 150-050-NP0-101J |
| A46C3043 | 283-0204-00 | | | CAP.,FXD,CER DI:0.01UF,20%,50V | 96733 | R2676 |
| A46C3044 | 283-0330-00 | B010100 | B010469 | CAP.,FXD,CER DI:100PF,5%,50V | 51642 | 150-050-NP0-101J |
| A46C3045 | 285-0894-00 | | | CAP.,FXD,PLSTC:5UF,5%,50V | 56289 | LP66A1A505J002 |
| A46CR1045 | 152-0323-00 | | | SEMICONV DEVICE:SILICON,35V,0.1A | 80009 | 152-0323-00 |
| A46CR1046 | 152-0323-00 | | | SEMICONV DEVICE:SILICON,35V,0.1A | 80009 | 152-0323-00 |
| A46CR2042 | 152-0141-02 | | | SEMICONV DEVICE:SILICON,30V,150MA | 01295 | 1N4152R |
| A46CR2044 | 152-0141-02 | | | SEMICONV DEVICE:SILICON,30V,150MA | 01295 | 1N4152R |
| A46CR2045 | 152-0141-02 | | | SEMICONV DEVICE:SILICON,30V,150MA | 01295 | 1N4152R |
| A46CR3042 | 152-0141-02 | | | SEMICONV DEVICE:SILICON,30V,150MA | 01295 | 1N4152R |
| A46CR4041 | 152-0323-00 | | | SEMICONV DEVICE:SILICON,35V,0.1A | 80009 | 152-0323-00 |
| A46CR4042 | 152-0323-00 | | | SEMICONV DEVICE:SILICON,35V,0.1A | 80009 | 152-0323-00 |
| A46CR4044 | 152-0141-02 | | | SEMICONV DEVICE:SILICON,30V,150MA | 01295 | 1N4152R |
| A46CR4045 | 152-0141-02 | | | SEMICONV DEVICE:SILICON,30V,150MA | 01295 | 1N4152R |
| A46Q1039 | 151-0302-00 | | | TRANSISTOR:SILICON,NPN | 07263 | S038487 |
| A46Q2042 | 151-0301-00 | | | TRANSISTOR:SILICON,PNP | 27014 | 2N2907A |
| A46Q2043 | 151-0302-00 | | | TRANSISTOR:SILICON,NPN | 07263 | S038487 |
| A46Q2044 | 151-0301-00 | | | TRANSISTOR:SILICON,PNP | 27014 | 2N2907A |
| A46Q2046 | 151-1012-00 | | | TRANSISTOR:SILICON,FE,N-CHANNEL | 22229 | F1585 |
| A46Q4046 | 151-1012-00 | | | TRANSISTOR:SILICON,FE,N-CHANNEL | 22229 | F1585 |
| A46R1028 | 311-1238-00 | | | RES.,VAR, NONWIR:5K OHM,10%,0.50W | 73138 | 72-27-0 |
| A46R1031 | 315-0102-00 | | | RES.,FXD,CMPSN:1K OHM,5%,0.25W | 01121 | CB1025 |
| A46R1032 | 311-1336-00 | | | RES.,VAR, NONWIR:100K OHM,0.50W | 02111 | 43P104T672 |
| A46R1038 | 321-0378-00 | B010100 | 0 B01039 | RES.,FXD,FILM:84.5K OHM,1%,0.125W | 91637 | MFF1816G84501F |
| A46R1038 | 321-0385-00 | B010400 | | RES.,FXD,FILM:100K OHM,1%,0.125W | 91637 | MFF1816G10002F |
| A46R1041 | 321-0260-00 | B010100 | B010399 | RES.,FXD,FILM:4.99K OHM,1%,0.125W | 91637 | MFF1816G49900F |
| A44R1041 | 321-0193-00 | B010400 | | RES.,FXD,FILM:1K OHM,1%,0.125W | 91637 | MFF1816G10000F |
| A44R1043 | 315-0101-00 | | | RES.,FXD,CMPSN:100 OHM,5%,0.25W | 01121 | CB1015 |
| A46R1044 | 321-0385-00 | | | RES.,FXD,FILM:100K OHM,1%,0.125W | 91637 | MFF1816G10002F |
| A46R1045 | 321-0260-00 | | | RES.,FXD,FILM:4.99K OHM,1%,0.125W | 91637 | MFF1816G49900F |
| A46R1046 | 321-0001-00 | | | RES.,FXD,FILM:10 OHM,1%,0.125W | 75042 | CEATQ-10R00F |
| A46R1047 | 315-0512-00 | | | RES.,FXD,CMPSN:5.1K OHM,5%,0.25W | 01121 | CB5125 |
| A46R1048 | 321-0320-00 | B010100 | B010399 | RES.,FXD,FILM:21K OHM,1%,0.125W | 91637 | MFF1816G21001F |
| A46R1048 | 321-0362-00 | B010400 | | RES.,FXD,FILM:57.6K OHM,1%,0.125W | 91637 | MFF1816G57601F |
| A46R2036 | 315-0101-00 | | | RES.,FXD,CMPSN:100 OHM,5%,0.25W | 01121 | CB1015 |
| A46R2037 | 315-0101-00 | | | RES.,FXD,CMPSN:100 OHM,5%,0.25W | 01121 | CB1015 |
| A46R2038 | 315-0512-00 | | | RES.,FXD,CMPSN:5.1K OHM,5%,0.25W | 01121 | CB5125 |

| Component No. | Tektronix Part No. | Serial/Model No. | | Name & Description | Mfr Code | Mfr Part Number |
|---------------|--------------------|------------------|---------|--|----------|-----------------|
| | | Eff | Dscont | | | |
| A46R2039 | 315-0470-00 | | | RES.,FXD,CMPSN:47 OHM,5%,0.25W | 01121 | CB4705 |
| A46R2040 | 315-0512-00 | | | RES.,FXD,CMPSN:5.1K OHM,5%,0.25W | 01121 | CB5125 |
| A46R2041 | 315-0512-00 | | | RES.,FXD,CMPSN:5.1K OHM,5%,0.25W | 01121 | CB5125 |
| A46R2042 | 315-0512-00 | | | RES.,FXD,CMPSN:5.1K OHM,5%,0.25W | 01121 | CB5125 |
| A46R2043 | 321-0385-00 | | | RES.,FXD,FILM:100K OHM,1%,0.125W | 91637 | MFF1816G10002F |
| A46R2044 | 315-0102-00 | | | RES.,FXD,CMPSN:1K OHM,5%,0.25W | 01121 | CB1025 |
| A46R2045 | 315-0750-00 | | | RES.,FXD,CMPSN:75 OHM,5%,0.25W | 01121 | CB7505 |
| A46R2046 | 315-0301-00 | | | RES.,FXD,CMPSN:300 OHM,5%,0.25W | 01121 | CB3015 |
| A46R2047 | 315-0301-00 | | | RES.,FXD,CMPSN:300 OHM,5%,0.25W | 01121 | CB3015 |
| A46R3031 | 315-0470-00 | | | RES.,FXD,CMPSN:47 OHM,5%,0.25W | 01121 | CB4705 |
| A46R3032 | 315-0470-00 | | | RES.,FXD,CMPSN:47 OHM,5%,0.25W | 01121 | CB4705 |
| A46R3033 | 307-0106-00 | | | RES.,FXD,CMPSN:4.7 OHM,5%,0.25W | 01121 | CB47G5 |
| A46R3034 | 307-0106-00 | | | RES.,FXD,CMPSN:4.7 OHM,5%,0.25W | 01121 | CB47G5 |
| A46R3035 | 307-0106-00 | | | RES.,FXD,CMPSN:4.7 OHM,5%,0.25W | 01121 | CB47G5 |
| A46R3036 | 315-0470-00 | | | RES.,FXD,CMPSN:47 OHM,5%,0.25W | 01121 | CB4705 |
| A46R3040 | 311-1238-00 | | | RES.,VAR,NONWIR:5K OHM,10%,0.50W | 73138 | 72-27-0 |
| A46R3041 | 315-0682-00 | | | RES.,FXD,CMPSN:6.8K OHM,5%,0.25W | 01121 | CB6825 |
| A46R3042 | 315-0682-00 | | | RES.,FXD,CMPSN:6.8K OHM,5%,0.25W | 01121 | CB6825 |
| A46R3043 | 315-0475-00 | | | RES.,FXD,CMPSN:4.7M OHM,5%,0.25W | 01121 | CB4755 |
| A46R3045 | 315-0101-00 | | | RES.,FXD,CMPSN:100 OHM,5%,0.25W | 01121 | CB1015 |
| A46R3046 | 315-0750-00 | | | RES.,FXD,CMPSN:75 OHM,5%,0.25W | 01121 | CB7505 |
| A46R3047 | 315-0512-00 | | | RES.,FXD,CMPSN:5.1K OHM,5%,0.25W | 01121 | CB5125 |
| A46R4031 | 321-0290-00 | | | RES.,FXD,FILM:10.2K OHM,1%,0.125W | 91637 | MFF1816G10201F |
| A46R4037 | 321-0260-00 | B010100 | B010399 | RES.,FXD,FILM:4.99K OHM,1%,0.125W | 91637 | MFF1816G49900F |
| A46R4037 | 321-0193-00 | B010400 | | RES.,FXD,FILM:1K OHM,1%,0.125W | 91637 | MFF1816G10000F |
| A46R4038 | 321-0356-00 | B010100 | B010399 | RES.,FXD,FILM:49.9K OHM,1%,0.125W | 91637 | MFF1816G49901F |
| A46R4038 | 321-0346-00 | B010400 | | RES.,FXD,FILM:39.2K OHM,1%,0.125W | 91637 | MFF1816G39201F |
| A46R4039 | 321-0320-00 | B010100 | B010399 | RES.,FXD,FILM:21K OHM,1%,0.125W | 91637 | MFF1816G21001F |
| A46R4039 | 321-0362-00 | B010400 | | RES.,FXD,FILM:57.6K OHM,1%,0.125W | 91637 | MFF1816G57601F |
| A46R4040 | 311-1241-00 | | | RES.,VAR,NONWIR:100K OHM,10%,0.5W | 32997 | 3386X-T07-104 |
| A46R4041 | 321-0001-00 | | | RES.,FXD,FILM:10 OHM,1%,0.125W | 75042 | CEAT0-10R00F |
| A46R4042 | 315-0101-00 | | | RES.,FXD,CMPSN:100 OHM,5%,0.25W | 01121 | CB1015 |
| A46R4043 | 321-0385-00 | | | RES.,FXD,FILM:100K OHM,1%,0.125W | 91637 | MFF1816G10002F |
| A46R4044 | 321-0260-00 | | | RES.,FXD,FILM:4.99K OHM,1%,0.125W | 91637 | MFF1816G49900F |
| A46R4045 | 321-0385-00 | | | RES.,FXD,FILM:100K OHM,1%,0.125W | 91637 | MFF1816G10002F |
| A46R4046 | 315-0475-00 | | | RES.,FXD,CMPSN:4.7M OHM,5%,0.25W | 01121 | CB4755 |
| A46R4047 | 315-0101-00 | | | RES.,FXD,CMPSN:100 OHM,5%,0.25W | 01121 | CB1015 |
| A46R4048 | 315-0103-00 | | | RES.,FXD,CMPSN:10K OHM,5%,0.25W | 01121 | CB1035 |
| A46R4049 | 315-0102-00 | | | RES.,FXD,CMPSN:1K OHM,5%,0.25W | 01121 | CB1025 |
| A46U1014 | 156-0913-02 | | | MICROCIRCUIT,DI:OCTAL D FF,BURN-IN | 04713 | SN74LS377NDS |
| A46U1016 | 156-0913-02 | | | MICROCIRCUIT,DI:OCTAL D FF,BURN-IN | 04713 | SN74LS377NDS |
| A46U1022 | 156-0913-02 | | | MICROCIRCUIT,DI:OCTAL D FF,BURN-IN | 04713 | SN74LS377NDS |
| A46U1024 | 156-1184-00 | B010100 | B010399 | MICROCIRCUIT,LI:12 BIT D/A CONVERTER | 27014 | DAC1200HCB |
| A46U1030 | 156-1184-00 | B010100 | B010399 | MICROCIRCUIT,LI:12 BIT D/A CONVERTER | 27014 | DAC1200HCB |
| A46U1042 | 156-1272-00 | | | MICROCIRCUIT,LI:DUAL OPERATIONAL AMPLIFIER | 18324 | NE5532 FE-IIB |
| A46U1044 | 156-0317-00 | B010100 | B010469 | MICROCIRCUIT,LI:OPERATIONAL AMPLIFIER | 34371 | HA2-2625-5 |
| A46U1044 | 156-1851-00 | B010470 | | MICROCIRCUIT,LI:OPERATIONAL AMPL,SCREENED | 80009 | 156-1851-00 |
| A46U2014 | 156-0469-02 | | | MICROCIRCUIT,DI:3/8 LINE DC DR | 01295 | SN74LS138NP3 |
| A46U2016 | 156-0916-02 | | | MICROCIRCUIT,DI:8-2 INP 3-STATE BFR,BURN | 27014 | DM81LS97A |
| A46U2022 | 156-0913-02 | | | MICROCIRCUIT,DI:OCTAL D FF,BURN-IN | 04713 | SN74LS377NDS |
| A46U2024 | 156-0383-02 | | | MICROCIRCUIT,DI:QUAD 2-INP NOR GATE | 01295 | SN74LS02 |
| A46U2026 | 156-0383-02 | | | MICROCIRCUIT,DI:QUAD 2-INP NOR GATE | 01295 | SN74LS02 |
| A46U2044 | 156-1128-01 | | | MICROCIRCUIT,LI:VOLTAGE COMPARATOR,SEL | 01295 | LM311JG4 |
| A46U2046 | 156-0512-02 | B010100 | B010199 | MICROCIRCUIT,LI:OPERATIONAL AMPLIFIER,SEL | 04713 | LM308J-8DS |
| A46U2046 | 156-0512-03 | B010200 | B010469 | MICROCIRCUIT,LI:OPERATIONAL AMPLIFIER | 04713 | LM308J-8 |

Replaceable Electrical Parts—496/496P Service Vol.2

| Component No. | Tektronix Part No. | Serial/Model No. | | Name & Description | Mfr Code | Mfr Part Number |
|---------------|--------------------|------------------|---------|--|----------|-----------------|
| | | Eff | Dscont | | | |
| A46U2046 | 156-1582-00 | B010470 | | MICROCIRCUIT,LI:OPERATIONAL AMPL,SCREENED | 06665 | OP07203Z |
| A46U3014 | 156-0913-02 | | | MICROCIRCUIT,DI:OCTAL D FF,BURN-IN | 04713 | SN74LS377NDS |
| A46U3016 | 156-0913-02 | | | MICROCIRCUIT,DI:OCTAL D FF,BURN-IN | 04713 | SN74LS377NDS |
| A46U3022 | 156-0913-02 | | | MICROCIRCUIT,DI:OCTAL D FF,BURN-IN | 04713 | SN74LS377NDS |
| A46U3024 | 156-1184-00 | B010100 | B010399 | MICROCIRCUIT,LI:12 BIT D/A CONVERTER | 27014 | DAC1200HCB |
| A46U3030 | 156-1184-00 | B010100 | B010399 | MICROCIRCUIT,LI:12 BIT D/A CONVERTER | 27014 | DAC1200HCB |
| A46U3041 | 156-1272-00 | | | MICROCIRCUIT,LI:DUAL OPERATIONAL AMPLIFIER | 18324 | NE5532 FE-IIB |
| A46U3042 | 156-0317-00 | B010100 | B010469 | MICROCIRCUIT,LI:OPERATIONAL AMPLIFIER | 34371 | HA2-2625-5 |
| A46U3042 | 156-1851-00 | B010140 | | MICROCIRCUIT,LI:OPERATIONAL AMPL,SCREENED | 80009 | 156-1851-00 |
| A46U3045 | 156-1126-01 | | | MICROCIRCUIT,LI:VOLTAGE COMPARATOR,SEL | 01295 | LM311JG4 |
| A46U3046 | 156-0512-02 | B010100 | B010199 | MICROCIRCUIT,LI:OPERATIONAL AMPLIFIER,SEL | 04713 | LM308J-8DS |
| A46U3046 | 156-0512-03 | B010200 | B010469 | MICROCIRCUIT,LI:OPERATIONAL AMPLIFIER | 04713 | LM308J-8 |
| A46U3046 | 156-1582-00 | B010470 | | MICROCIRCUIT,LI:OPERATIONAL AMPL,SCREENED | 06665 | OP07203Z |

| Component No. | Tektronix Part No. | Serial/Model No. Eff | Dscont | Name & Description | Mfr Code | Mfr Part Number |
|---------------|--------------------|----------------------|---------|--|----------|------------------|
| A46A1 | 670-7939-00 | B010399 | B010413 | CKT BOARD ASSY:INTERFACE | 80009 | 670-7939-00 |
| A46A1 | 670-7939-01 | B010414 | | CKT BOARD ASSY:INTERFACE | 80009 | 670-7939-01 |
| A46A1C1011 | 283-0330-00 | B010399 | | CAP.,FXD,CER DI:100PF,5%,50V | 51642 | 150-050-NP0-101J |
| A46A1C1014 | 290-0135-00 | B010399 | | CAP.,FXD,ELCTLT:15UF,20%,20V | 56289 | 150D156X0020B2 |
| A46A1CR1016 | 152-0141-02 | B010399 | | SEMICONV DEVICE:SILICON,30V,150MA | 01295 | 1N4152R |
| A46A1CR1017 | 152-0141-02 | B010399 | | SEMICONV DEVICE:SILICON,30V,150MA | 01295 | 1N4152R |
| A46A1CR1018 | 152-0141-02 | B010399 | | SEMICONV DEVICE:SILICON,30V,150MA | 01295 | 1N4152R |
| A46A1Q1018 | 151-0736-00 | B010399 | | TRANSISTOR:SILICON,NPN | 04713 | SPS8317 |
| A46A1R1012 | 321-0193-00 | B010399 | | RES.,FXD,FILM:1K OHM,1%,0.125W | 91637 | MFF1816G10000F |
| A46A1R1014 | 321-0260-00 | B010399 | | RES.,FXD,FILM:4.99K OHM,1%,0.125W | 91637 | MFF1816G49900F |
| A46A1R1016 | 321-0260-00 | B010399 | | RES.,FXD,FILM:4.99K OHM,1%,0.125W | 91637 | MFF1816G49900F |
| A46A1R1018 | 315-0200-00 | B010399 | | RES.,FXD,CMPSN:20 OHM,5%,0.25W | 01121 | CB2005 |
| A46A1R1026 | 317-0027-00 | B010414 | | RES.,FXD,CMPSN:2.7 OHM,5%,0.125W | 01121 | BB2R705 |
| A46A1U1012 | 156-0854-00 | B010399 | | MICROCIRCUIT,LI:OPERATIONAL AMPLIFIER | 27014 | LM308AN |
| A46A1U1020 | 156-1184-01 | B010399 | | MICROCIRCUIT,LI:12 BIT D/A CONVERTER | 27014 | DAC1200HCD |
| A46A1U1026 | 156-1184-02 | B010399 | | MICROCIRCUIT,LI:12 BIT D/A CONVERTER,SELEC | 27014 | OBV |
| A46A3 | 670-7939-00 | B010399 | B010413 | CKT BOARD ASSY:INTERFACE | 80009 | 670-7939-00 |
| A46A3 | 670-7939-01 | B010414 | | CKT BOARD ASSY:INTERFACE | 80009 | 670-7939-01 |
| A46A3C3011 | 283-0330-00 | B010399 | | CAP.,FXD,CER DI:100PF,5%,50V | 51642 | 150-050-NP0-101J |
| A46A3C3014 | 290-0135-00 | B010399 | | CAP.,FXD,ELCTLT:15UF,20%,20V | 56289 | 150D156X0020B2 |
| A46A3CR3016 | 152-0141-02 | B010399 | | SEMICONV DEVICE:SILICON,30V,150MA | 01295 | 1N4152R |
| A46A3CR3017 | 152-0141-02 | B010399 | | SEMICONV DEVICE:SILICON,30V,150MA | 01295 | 1N4152R |
| A46A3CR3018 | 152-0141-02 | B010399 | | SEMICONV DEVICE:SILICON,30V,150MA | 01295 | 1N4152R |
| A46A3Q3018 | 151-0736-00 | B010399 | | TRANSISTOR:SILICON,NPN | 04713 | SPS8317 |
| A46A3R3012 | 321-0193-00 | B010399 | | RES.,FXD,FILM:1K OHM,1%,0.125W | 91637 | MFF1816G10000F |
| A46A3R3014 | 321-0260-00 | B010399 | | RES.,FXD,FILM:4.99K OHM,1%,0.125W | 91637 | MFF1816G49900F |
| A46A3R3016 | 321-0260-00 | B010399 | | RES.,FXD,FILM:4.99K OHM,1%,0.125W | 91637 | MFF1816G49900F |
| A46A3R3018 | 321-0200-00 | B010399 | | RES.,FXD,FILM:1.18K OHM,1%,0.125W | 91637 | MFF1816G11800F |
| A46A3R3026 | 317-0027-00 | B010414 | | RES.,FXD,CMPSN:2.7 OHM,5%,0.125W | 01121 | BB2R705 |
| A46A3U3012 | 156-0854-00 | B010399 | | MICROCIRCUIT,LI:OPERATIONAL AMPLIFIER | 27014 | LM308AN |
| A46A3U3020 | 156-1184-01 | B010399 | | MICROCIRCUIT,LI:12 BIT D/A CONVERTER | 27014 | DAC1200HCD |
| A46A3U3026 | 156-1184-02 | B010399 | | MICROCIRCUIT,LI:12 BIT D/A CONVERTER,SELEC | 27014 | OBV |

Replaceable Electrical Parts—496/496P Service Vol.2

| Component No. | Tektronix Part No. | Serial/Model No. Eff Dscnt | Name & Description | Mfr Code | Mfr Part Number |
|---------------|--------------------|----------------------------|--------------------------------------|----------|------------------|
| A48 | 670-5550-01 | | CKT BOARD ASSY:SPAN ATTENUATOR | 80009 | 670-5550-01 |
| A48C1013 | 283-0111-00 | | CAP.,FXD,CER DI:0.1UF,20%,50V | 56289 | 273C11 |
| A48C1014 | 283-0111-00 | | CAP.,FXD,CER DI:0.1UF,20%,50V | 56289 | 273C11 |
| A48C1019 | 283-0111-00 | | CAP.,FXD,CER DI:0.1UF,20%,50V | 56289 | 273C11 |
| A48C1023 | 283-0111-00 | | CAP.,FXD,CER DI:0.1UF,20%,50V | 56289 | 273C11 |
| A48C1024 | 283-0111-00 | | CAP.,FXD,CER DI:0.1UF,20%,50V | 56289 | 273C11 |
| A48C1027 | 283-0111-00 | | CAP.,FXD,CER DI:0.1UF,20%,50V | 56289 | 273C11 |
| A48C1029 | 283-0111-00 | | CAP.,FXD,CER DI:0.1UF,20%,50V | 56289 | 273C11 |
| A48C1032 | 283-0111-00 | | CAP.,FXD,CER DI:0.1UF,20%,50V | 56289 | 273C11 |
| A48C1034 | 283-0111-00 | | CAP.,FXD,CER DI:0.1UF,20%,50V | 56289 | 273C11 |
| A48C1036 | 290-0535-00 | | CAP.,FXD,ELCTLT:33UF,20%,10V | 56289 | 196D336X0010KA1 |
| A48C1058 | 283-0111-00 | | CAP.,FXD,CER DI:0.1UF,20%,50V | 56289 | 273C11 |
| A48C2024 | 283-0359-00 | | CAP.,FXD,CER DI:1000PF,10%,200V | 72982 | 8131N203C0G0102K |
| A48C2026 | 283-0111-00 | | CAP.,FXD,CER DI:0.1UF,20%,50V | 56289 | 273C11 |
| A48C2035 | 283-0111-00 | | CAP.,FXD,CER DI:0.1UF,20%,50V | 56289 | 273C11 |
| A48C2036 | 283-0111-00 | | CAP.,FXD,CER DI:0.1UF,20%,50V | 56289 | 273C11 |
| A48C2037 | 283-0672-00 | | CAP.,FXD,MICA D:200PF,1%,500V | 00853 | D155F2010F0 |
| A48C2042 | 281-0525-00 | | CAP.,FXD,CER DI:470PF,+/-94PF,500V | 04222 | 7001-1364 |
| A48C2044 | 281-0523-00 | | CAP.,FXD,CER DI:100PF,+/-20PF,500V | 72982 | 301-000U2M0101M |
| A48C2050 | 283-0330-00 | | CAP.,FXD,CER DI:100PF,5%,50V | 51642 | 150-050-NP0-101J |
| A48C2052 | 283-0111-00 | | CAP.,FXD,CER DI:0.1UF,20%,50V | 56289 | 273C11 |
| A48C3031 | 283-0111-00 | | CAP.,FXD,CER DI:0.1UF,20%,50V | 56289 | 273C11 |
| A48C3032 | 283-0111-00 | | CAP.,FXD,CER DI:0.1UF,20%,50V | 56289 | 273C11 |
| A48C4035 | 283-0111-00 | | CAP.,FXD,CER DI:0.1UF,20%,50V | 56289 | 273C11 |
| A48C4038 | 290-0158-00 | | CAP.,FXD,ELCTLT:50UF,+75-15%,25V | 56289 | 109D506C7025F2 |
| A48C4056 | 290-0574-00 | | CAP.,FXD,ELCTLT:47UF,10%,20V | 90201 | TDC476K020CL |
| A48C5013 | 283-0107-00 | | CAP.,FXD,CER DI:51PF,5%,200V | 96733 | R3017 |
| A48C5018 | 283-0111-00 | | CAP.,FXD,CER DI:0.1UF,20%,50V | 56289 | 273C11 |
| A48C5038 | 290-0158-00 | | CAP.,FXD,ELCTLT:50UF,+75-15%,25V | 56289 | 109D506C7025F2 |
| A48C5048 | 290-0574-00 | | CAP.,FXD,ELCTLT:47UF,10%,20V | 90201 | TDC476K020CL |
| A48C5055 | 290-0722-00 | | CAP.,FXD,ELCTLT:100UF,20%,10V | 56289 | 196D107X0010PE3 |
| A48CR1049 | 152-0141-02 | | SEMICONV DEVICE:SILICON,30V,150MA | 01295 | 1N4152R |
| A48CR1051 | 152-0141-02 | | SEMICONV DEVICE:SILICON,30V,150MA | 01295 | 1N4152R |
| A48CR1056 | 152-0141-02 | | SEMICONV DEVICE:SILICON,30V,150MA | 01295 | 1N4152R |
| A48CR1061 | 152-0141-02 | | SEMICONV DEVICE:SILICON,30V,150MA | 01295 | 1N4152R |
| A48CR2051 | 152-0141-02 | | SEMICONV DEVICE:SILICON,30V,150MA | 01295 | 1N4152R |
| A48CR2053 | 152-0141-02 | | SEMICONV DEVICE:SILICON,30V,150MA | 01295 | 1N4152R |
| A48CR3056 | 152-0141-02 | | SEMICONV DEVICE:SILICON,30V,150MA | 01295 | 1N4152R |
| A48CR4056 | 152-0141-02 | | SEMICONV DEVICE:SILICON,30V,150MA | 01295 | 1N4152R |
| A48CR4062 | 152-0141-02 | | SEMICONV DEVICE:SILICON,30V,150MA | 01295 | 1N4152R |
| A48CR4068 | 152-0141-02 | | SEMICONV DEVICE:SILICON,30V,150MA | 01295 | 1N4152R |
| A48CR4069 | 152-0141-02 | | SEMICONV DEVICE:SILICON,30V,150MA | 01295 | 1N4152R |
| A48K3065 | 148-0079-00 | | RELAY,REED:200 OHM,5V | 24211 | GB-832A-20 |
| A48K3075 | 148-0079-00 | | RELAY,REED:200 OHM,5V | 24211 | GB-832A-20 |
| A48K4055 | 148-0064-00 | | RELAY,REED:SPST | 95348 | F81-1441 |
| A48K4062 | 148-0064-00 | | RELAY,REED:SPST | 95348 | F81-1441 |
| A48K4072 | 148-0079-00 | | RELAY,REED:200 OHM,5V | 24211 | GB-832A-20 |
| A48L4048 | 108-0881-00 | | COIL,RF:FIXED,40.1UH | 80009 | 108-0881-00 |
| A48L4053 | 108-0417-01 | | COIL,RF:FIXED,110UH | 80009 | 108-0417-01 |
| A48L4055 | 108-0881-00 | | COIL,RF:FIXED,40.1UH | 80009 | 108-0881-00 |
| A48Q2023 | 151-0301-00 | | TRANSISTOR:SILICON,PNP | 27014 | 2N2907A |
| A48Q2025 | 151-1022-00 | | TRANSISTOR:FET,N-CHAN,SI,F1782,T0-18 | 17856 | FN1234 |
| A48Q2028 | 151-1022-00 | | TRANSISTOR:FET,N-CHAN,SI,F1782,T0-18 | 17856 | FN1234 |
| A48Q2062 | 151-0390-00 | | TRANSISTOR:SILICON,NPN | 04713 | SPS3414 |
| A48Q3056 | 151-0391-00 | | TRANSISTOR:SILICON,PNP | 80009 | 151-0391-00 |

| Component No. | Tektronix Part No. | Serial/Model No. Eff Dscont | Name & Description | Mfr Code | Mfr Part Number |
|---------------|--------------------|-----------------------------|-----------------------------------|----------|-----------------|
| A48R1013 | 315-0103-00 | | RES.,FXD,CMPSN:10K OHM,5%,0.25W | 01121 | CB1035 |
| A48R1014 | 315-0103-00 | | RES.,FXD,CMPSN:10K OHM,5%,0.25W | 01121 | CB1035 |
| A48R1019 | 315-0103-00 | | RES.,FXD,CMPSN:10K OHM,5%,0.25W | 01121 | CB1035 |
| A48R1023 | 315-0103-00 | | RES.,FXD,CMPSN:10K OHM,5%,0.25W | 01121 | CB1035 |
| A48R1024 | 315-0103-00 | | RES.,FXD,CMPSN:10K OHM,5%,0.25W | 01121 | CB1035 |
| A48R1027 | 315-0103-00 | | RES.,FXD,CMPSN:10K OHM,5%,0.25W | 01121 | CB1035 |
| A48R1032 | 315-0103-00 | | RES.,FXD,CMPSN:10K OHM,5%,0.25W | 01121 | CB1035 |
| A48R1033 | 315-0472-00 | | RES.,FXD,CMPSN:4.7K OHM,5%,0.25W | 01121 | CB4725 |
| A48R1034 | 315-0103-00 | | RES.,FXD,CMPSN:10K OHM,5%,0.25W | 01121 | CB1035 |
| A48R1046 | 315-0106-00 | | RES.,FXD,CMPSN:10M OHM,5%,0.25W | 01121 | CB1065 |
| A48R1052 | 315-0431-00 | | RES.,FXD,CMPSN:430 OHM,5%,0.25W | 01121 | CB4315 |
| A48R1054 | 315-0102-00 | | RES.,FXD,CMPSN:1K OHM,5%,0.25W | 01121 | CB1025 |
| A48R1056 | 321-0222-00 | | RES.,FXD,FILM:2K OHM,1%,0.125W | 91637 | MFF1816G20000F |
| A48R1058 | 315-0300-00 | | RES.,FXD,CMPSN:30 OHM,5%,0.25W | 01121 | CB3005 |
| A48R1059 | 315-0300-00 | | RES.,FXD,CMPSN:30 OHM,5%,0.25W | 01121 | CB3005 |
| A48R1063 | 311-1336-00 | | RES.,VAR,NONWIR:100K OHM,0.50W | 02111 | 43P104T672 |
| A48R1065 | 311-1339-00 | | RES.,VAR,NONWIR:5K OHM,10%,0.50W | 73138 | 89-131-1 |
| A48R1067 | 311-1339-00 | | RES.,VAR,NONWIR:5K OHM,10%,0.50W | 73138 | 89-131-1 |
| A48R1071 | 311-1339-00 | | RES.,VAR,NONWIR:5K OHM,10%,0.50W | 73138 | 89-131-1 |
| A48R1077 | 321-0001-00 | | RES.,FXD,FILM:10 OHM,1%,0.125W | 75042 | CEAT0-10R00F |
| A48R2019 | 315-0103-00 | | RES.,FXD,CMPSN:10K OHM,5%,0.25W | 01121 | CB1035 |
| A48R2022 | 315-0103-00 | | RES.,FXD,CMPSN:10K OHM,5%,0.25W | 01121 | CB1035 |
| A48R2035 | 315-0103-00 | | RES.,FXD,CMPSN:10K OHM,5%,0.25W | 01121 | CB1035 |
| A48R2036 | 315-0103-00 | | RES.,FXD,CMPSN:10K OHM,5%,0.25W | 01121 | CB1035 |
| A48R2038 | 321-0306-00 | | RES.,FXD,FILM:15K OHM,1%,0.125W | 91637 | MFF1816G15001F |
| A48R2044 | 321-0299-00 | | RES.,FXD,FILM:12.7K OHM,1%,0.125W | 91637 | MFF1816G12701F |
| A48R2046 | 315-0512-00 | | RES.,FXD,CMPSN:5.1K OHM,5%,0.25W | 01121 | CB5125 |
| A48R2048 | 315-0203-00 | | RES.,FXD,CMPSN:20K OHM,5%,0.25W | 01121 | CB2035 |
| A48R2049 | 315-0431-00 | | RES.,FXD,CMPSN:430 OHM,5%,0.25W | 01121 | CB4315 |
| A48R2050 | 315-0431-00 | B010256 | RES.,FXD,CMPSN:430 OHM,5%,0.25W | 01121 | CB4315 |
| A48R2051 | 315-0102-00 | | RES.,FXD,CMPSN:1K OHM,5%,0.25W | 01121 | CB1025 |
| A48R2053 | 315-0203-00 | | RES.,FXD,CMPSN:20K OHM,5%,0.25W | 01121 | CB2035 |
| A48R2066 | 308-0756-00 | | RES.,FXD,WW:100 OHM,1%,3W | 91637 | RS2B-B100R0F |
| A48R2068 | 321-0754-07 | | RES.,FXD,FILM:900 OHM,0.1%,0.125W | 91637 | MFF1816C900R0B |
| A48R2072 | 321-0895-07 | | RES.,FXD,FILM:90 OHM,0.1%,0.125W | 01121 | OBD |
| A48R2074 | 321-0895-07 | | RES.,FXD,FILM:90 OHM,0.1%,0.125W | 01121 | OBD |
| A48R2076 | 321-0001-00 | | RES.,FXD,FILM:10 OHM,1%,0.125W | 75042 | CEAT0-10R00F |
| A48R3022 | 315-0475-00 | | RES.,FXD,CMPSN:4.7M OHM,5%,0.25W | 01121 | CB4755 |
| A48R3024 | 315-0105-00 | | RES.,FXD,CMPSN:1M OHM,5%,0.25W | 01121 | CB1055 |
| A48R3026 | 315-0104-00 | | RES.,FXD,CMPSN:100K OHM,5%,0.25W | 01121 | CB1045 |
| A48R3028 | 321-0306-00 | | RES.,FXD,FILM:15K OHM,1%,0.125W | 91637 | MFF1816G15001F |
| A48R3029 | 315-0153-00 | | RES.,FXD,CMPSN:15K OHM,5%,0.25W | 01121 | CB1535 |
| A48R3036 | 321-0289-00 | | RES.,FXD,FILM:10K OHM,1%,0.125W | 91637 | MFF1816G10001F |
| A48R3038 | 321-0289-00 | | RES.,FXD,FILM:10K OHM,1%,0.125W | 91637 | MFF1816G10001F |
| A48R3042 | 321-0299-00 | | RES.,FXD,FILM:12.7K OHM,1%,0.125W | 91637 | MFF1816G12701F |
| A48R3044 | 321-0289-00 | | RES.,FXD,FILM:10K OHM,1%,0.125W | 91637 | MFF1816G10001F |
| A48R3046 | 321-0299-00 | | RES.,FXD,FILM:12.7K OHM,1%,0.125W | 91637 | MFF1816G12701F |
| A48R3047 | 315-0103-00 | | RES.,FXD,CMPSN:10K OHM,5%,0.25W | 01121 | CB1035 |
| A48R3048 | 321-0289-00 | | RES.,FXD,FILM:10K OHM,1%,0.125W | 91637 | MFF1816G10001F |
| A48R4032 | 315-0102-00 | | RES.,FXD,CMPSN:1K OHM,5%,0.25W | 01121 | CB1025 |
| A48R4034 | 315-0102-00 | | RES.,FXD,CMPSN:1K OHM,5%,0.25W | 01121 | CB1025 |
| A48R4035 | 315-0102-00 | | RES.,FXD,CMPSN:1K OHM,5%,0.25W | 01121 | CB1025 |
| A48R4036 | 315-0103-00 | | RES.,FXD,CMPSN:10K OHM,5%,0.25W | 01121 | CB1035 |
| A48R4037 | 315-0103-00 | | RES.,FXD,CMPSN:10K OHM,5%,0.25W | 01121 | CB1035 |
| A48R4038 | 315-0103-00 | | RES.,FXD,CMPSN:10K OHM,5%,0.25W | 01121 | CB1035 |

Replaceable Electrical Parts—496/496P Service Vol.2

| Component No. | Tektronix Part No. | Serial/Model No. Eff | Dscont | Name & Description | Mfr Code | Mfr Part Number |
|---------------|--------------------|----------------------|---------|---|----------|-----------------|
| A48R4056 | 315-0470-00 | | | RES.,FXD,CMPSN:47 OHM,5%,0.25W | 01121 | CB4705 |
| A48R4064 | 321-0001-00 | | | RES.,FXD,FILM:10 OHM,1%,0.125W | 75042 | CEAT0-10R00F |
| A48R4065 | 321-0754-07 | | | RES.,FXD,FILM:900 OHM,0.1%,0.125W | 91637 | MFF1816C900R0B |
| A48R4066 | 321-0895-07 | | | RES.,FXD,FILM:90 OHM,0.1%,0.125W | 01121 | OBD |
| A48R5052 | 315-0470-00 | | | RES.,FXD,CMPSN:47 OHM,5%,0.25W | 01121 | CB4705 |
| A48R5058 | 322-0043-00 | | | RES.,FXD,FILM:27.4 OHM,1%,0.25W | 91637 | MFF1421G27R40F |
| A48R5068 | 321-0097-00 | | | RES.,FXD,FILM:100 OHM,1%,0.125W | 91637 | MFF1816G100R0F |
| A48U1025 | 156-0913-02 | | | MICROCIRCUIT,DI:OCTAL D FF,BURN-IN | 04713 | SN74LS377NDS |
| A48U1042 | 156-0719-00 | | | MICROCIRCUIT,LI:10 BIT MULTIPLYING DAC | 24355 | AD7533LN |
| A48U2015 | 156-0913-02 | | | MICROCIRCUIT,DI:OCTAL D FF,BURN-IN | 04713 | SN74LS377NDS |
| A48U2042 | 156-0512-02 | B010100 | B010199 | MICROCIRCUIT,LI:OPERATIONAL AMPLIFIER,SEL | 04713 | LM308J-8DS |
| A48U2042 | 156-0512-03 | B010200 | | MICROCIRCUIT,LI:OPERATIONAL AMPLIFIER | 04713 | LM308J-8 |
| A48U3025 | 156-1256-00 | | | MICROCIRCUIT,LI:MONOLITHIC QUAD ANALOG | 80009 | 156-1256-00 |
| A48U3032 | 156-0512-02 | B010100 | B010199 | MICROCIRCUIT,LI:OPERATIONAL AMPLIFIER,SEL | 04713 | LM308J-8DS |
| A48U3032 | 156-0512-03 | B010200 | | MICROCIRCUIT,LI:OPERATIONAL AMPLIFIER | 04713 | LM308J-8 |
| A48U3036 | 156-0512-02 | B010100 | B010199 | MICROCIRCUIT,LI:OPERATIONAL AMPLIFIER,SEL | 04713 | LM308J-8DS |
| A48U3036 | 156-0512-03 | B010200 | | MICROCIRCUIT,LI:OPERATIONAL AMPLIFIER | 04713 | LM308J-8 |
| A48U4015 | 156-0956-02 | | | MICROCIRCUIT,DI:OCTAL BFR W/3 STATE OUT | 01295 | SN74LS244NP3 |
| A48U4025 | 156-0541-02 | | | MICROCIRCUIT,DI:DUAL 2 TO 4 LINE DCDR | 01295 | SN74LS139NP3 |
| A48U4042 | 156-0140-02 | | | MICROCIRCUIT,DI:HEX BUFFERS W/OC HV OUT | 27014 | DM8017NA+/JA+ |
| A48U5025 | 156-0469-02 | | | MICROCIRCUIT,DI:3/8 LINE DCDR | 01295 | SN74LS138NP3 |
| A48VR1044 | 152-0514-00 | | | SEMICOND DEVICE:ZENER,0.4W,10V,1% | 80009 | 152-0514-00 |

| Component No. | Tektronix Part No. | Serial/Model No. Eff | Serial/Model No. Dscont | Name & Description | Mfr Code | Mfr Part Number |
|---------------|--------------------|----------------------|-------------------------|--|----------|------------------|
| A50 | 119-1069-01 | B010100 | B010109 | PHASE LOCK ASSY:SYNTHESIZER | 80009 | 119-1069-01 |
| A50 | 119-1069-02 | B010100 | | PHASE LOCK ASSY:SYNTHESIZER | 80009 | 119-1069-02 |
| A50R2045 | 315-0243-00 | | | RES.,FXD,CMPSN:24K OHM,5%,0.25W | 01121 | CB2435 |
| A50A1 | 670-5519-00 | | | CKT BOARD ASSY:SYNTHESIZER | 80009 | 670-5519-00 |
| A50A1C1010 | 283-0203-00 | | | CAP.,FXD,CER DI:0.47UF,20%,50V | 72982 | 8131M058Z5U0474M |
| A50A1C1030 | 283-0032-00 | | | CAP.,FXD,CER DI:470PF,5%,500V | 59660 | 0831085Z5E00471J |
| A50A1C1040 | 283-0177-00 | | | CAP.,FXD,CER DI:1UF, + 80-20%,25V | 56289 | 2C20Z5U105Z025B |
| A50A1C2010 | 283-0032-00 | | | CAP.,FXD,CER DI:470PF,5%,500V | 59660 | 0831085Z5E00471J |
| A50A1C2020 | 283-0032-00 | | | CAP.,FXD,CER DI:470PF,5%,500V | 59660 | 0831085Z5E00471J |
| A50A1C2021 | 283-0177-00 | | | CAP.,FXD,CER DI:1UF, + 80-20%,25V | 56289 | 2C20Z5U105Z025B |
| A50A1C2040 | 283-0032-00 | | | CAP.,FXD,CER DI:470PF,5%,500V | 59660 | 0831085Z5E00471J |
| A50A1C2050 | 283-0177-00 | | | CAP.,FXD,CER DI:1UF, + 80-20%,25V | 56289 | 2C20Z5U105Z025B |
| A50A1C2051 | 290-0513-00 | | | CAP.,FXD,ELCTLT:510UF, + 75-10%,25V | 56289 | 109D575 |
| A50A1C3029 | 283-0156-00 | | | CAP.,FXD,CER DI:1000PF, + 100-0%,200V | 96733 | R2670 |
| A50A1C3030 | 283-0010-00 | | | CAP.,FXD,CER DI:0.05UF, + 100-20%,50V | 56289 | 1C10Z5U503Z050B |
| A50A1C3031 | 283-0032-00 | | | CAP.,FXD,CER DI:470PF,5%,500V | 59660 | 0831085Z5E00471J |
| A50A1L3029 | 108-0311-00 | | | COIL,RF:FIXED,153NH | 80009 | 108-0311-00 |
| A50A1Q3040 | 151-0188-00 | | | TRANSISTOR:SILICON,PNP | 04713 | SPS6868K |
| A50A1Q3041 | 151-0188-00 | | | TRANSISTOR:SILICON,PNP | 04713 | SPS6868K |
| A50A1R1040 | 315-0103-00 | | | RES.,FXD,CMPSN:10K OHM,5%,0.25W | 01121 | CB1035 |
| A50A1R2040 | 315-0102-00 | | | RES.,FXD,CMPSN:1K OHM,5%,0.25W | 01121 | CB1025 |
| A50A1R2041 | 315-0102-00 | | | RES.,FXD,CMPSN:1K OHM,5%,0.25W | 01121 | CB1025 |
| A50A1R2042 | 315-0102-00 | | | RES.,FXD,CMPSN:1K OHM,5%,0.25W | 01121 | CB1025 |
| A50A1R2043 | 315-0100-00 | | | RES.,FXD,CMPSN:10 OHM,5%,0.25W | 01121 | CB1005 |
| A50A1R2044 | 315-0300-00 | | | RES.,FXD,CMPSN:30 OHM,5%,0.25W | 01121 | CB3005 |
| A50A1R3020 | 315-0391-00 | | | RES.,FXD,CMPSN:390 OHM,5%,0.25W | 01121 | CB3915 |
| A50A1R3021 | 315-0101-00 | | | RES.,FXD,CMPSN:100 OHM,5%,0.25W | 01121 | CB1015 |
| A50A1R3022 | 315-0101-00 | | | RES.,FXD,CMPSN:100 OHM,5%,0.25W | 01121 | CB1015 |
| A50A1R3023 | 315-0241-00 | | | RES.,FXD,CMPSN:240 OHM,5%,0.25W | 01121 | CB2415 |
| A50A1R3040 | 315-0101-00 | | | RES.,FXD,CMPSN:100 OHM,5%,0.25W | 01121 | CB1015 |
| A50A1R3041 | 315-0471-00 | | | RES.,FXD,CMPSN:470 OHM,5%,0.25W | 01121 | CB4715 |
| A50A1R3042 | 315-0471-00 | | | RES.,FXD,CMPSN:470 OHM,5%,0.25W | 01121 | CB4715 |
| A50A1R3043 | 315-0101-00 | | | RES.,FXD,CMPSN:100 OHM,5%,0.25W | 01121 | CB1015 |
| A50A1R3050 | 315-0201-00 | | | RES.,FXD,CMPSN:200 OHM,5%,0.25W | 01121 | CB2015 |
| A50A1R3051 | 315-0201-00 | | | RES.,FXD,CMPSN:200 OHM,5%,0.25W | 01121 | CB2015 |
| A50A1U1010 | 156-0277-00 | | | MICROCIRCUIT,LI:VOLTAGE REGULATOR | 07263 | MICROA7805UC |
| A50A1U1020 | 156-0844-02 | | | MICROCIRCUIT,DI:SYN 4 BIT CNTR,SCRN | 01295 | SN74LS161A |
| A50A1U1030 | 156-0844-02 | | | MICROCIRCUIT,DI:SYN 4 BIT CNTR,SCRN | 01295 | SN74LS161A |
| A50A1U1040 | 156-0331-03 | | | MICROCIRCUIT,DI:DUAL D TYPE POS EDGE TRIG | 80009 | 156-0331-03 |
| A50A1U2010 | 156-0844-02 | | | MICROCIRCUIT,DI:SYN 4 BIT CNTR,SCRN | 01295 | SN74LS161A |
| A50A1U2020 | 156-0796-01 | | | MICROCIRCUIT,DI:8 STG SHF & STORE BUS RGTR | 80009 | 156-0796-01 |
| A50A1U2030 | 156-0796-01 | | | MICROCIRCUIT,DI:8 STG SHF & STORE BUS RGTR | 80009 | 156-0796-01 |
| A50A1U3030 | 156-0230-02 | | | MICROCIRCUIT,DI:DUAL D-TYPE M/S,FF,SCRN | 04713 | MC10131LD |

Replaceable Electrical Parts—496/496P Service Vol.2

| Component No. | Tektronix Part No. | Serial/Model No. Eff | Dscont | Name & Description | Mfr Code | Mfr Part Number |
|---------------|--------------------|----------------------|---------|--|----------|------------------|
| A50A2 | 670-5520-02 | | | CKT BOARD ASSY:STROBE DRIVER | 80009 | 670-5520-02 |
| A50A2C1018 | 290-0527-00 | | | CAP.,FXD,ELCTLT:15UF,20%,20V | 90201 | TDC156M020FL |
| A50A2C1019 | 281-0812-00 | | | CAP.,FXD,CER DI:1000PF,10%,100V | 72982 | 8035D9AADX7R102K |
| A50A2C1031 | 283-0203-00 | | | CAP.,FXD,CER DI:0.47UF,20%,50V | 72982 | 8131M058Z5U0474M |
| A50A2C1032 | 281-0219-00 | | | CAP.,VAR,CER DI:5-35PF,+2-2.5%,100V | 59660 | 0513-501 A 5.035 |
| A50A2C1032 | 281-0219-00 | B010100 | B010459 | CAP.,VAR,CER DI:5-35PF,+2-2.5%,100V | 59660 | 0513-501 A 5.035 |
| A50A2C1032 | ----- | | | (NOMINAL VALUE, SELECTED) | | |
| A50A2C1032 | 281-0509-00 | B010460 | | CAP.,FXD,CER DI:15PF,+/-1.5PF,500V | 59660 | 301-000C0G0150K |
| A50A2C1032 | ----- | | | (NOMINAL VALUE, SELECTED) | | |
| A50A2C1081 | 285-1056-00 | | | CAP.,FXD,PLSTC:1UF,2%,50V | 14752 | 650B1A105G |
| A50A2C2011 | 283-0111-00 | | | CAP.,FXD,CER DI:0.1UF,20%,50V | 56289 | 273C11 |
| A50A2C2030 | 283-0331-00 | | | CAP.,FXD,CER DI:43PF,2%,100V | 59660 | 0805536C0G0-430G |
| A50A2C2033 | 283-0154-00 | | | CAP.,FXD,CER DI:22PF,5%,50V | 72982 | 8111B081C0G220J |
| A50A2C2092 | 283-0107-00 | | | CAP.,FXD,CER DI:51PF,5%,200V | 96733 | R3017 |
| A50A2C2101 | 283-0203-00 | | | CAP.,FXD,CER DI:0.47UF,20%,50V | 72982 | 8131M058Z5U0474M |
| A50A2C2102 | 283-0203-00 | | | CAP.,FXD,CER DI:0.47UF,20%,50V | 72982 | 8131M058Z5U0474M |
| A50A2C2103 | 283-0059-00 | | | CAP.,FXD,CER DI:1UF,+80-20%,50V | 51642 | 400050Z5U105Z |
| A50A2C2105 | 281-0219-00 | B010100 | B010459 | CAP.,VAR,CER DI:5-35PF,+2-2.5%,100V | 59660 | 0513-501 A 5.035 |
| A50A2C2105 | ----- | | | (NOMINAL VALUE, SELECTED) | | |
| A50A2C2105 | 281-0509-00 | B010460 | | CAP.,FXD,CER DI:15PF,+/-1.5PF,500V | 59660 | 301-000C0G0150K |
| A50A2C2105 | ----- | | | (NOMINAL VALUE, SELECTED) | | |
| A50A2CR2024 | 152-0322-00 | | | SEMICONV DEVICE:SILICON,15V,HOT CARRIER | 50434 | 5082-2672 |
| A50A2CR2085 | 152-0322-00 | | | SEMICONV DEVICE:SILICON,15V,HOT CARRIER | 50434 | 5082-2672 |
| AA50A2FL2064 | 119-1029-00 | | | FILTER,BANDPASS:5.00674 TO 5.0188MHZ | 83891 | 5521 |
| A50A2L1031 | 108-0249-00 | | | COIL,RF:12UH | 76493 | B-4992 |
| A50A2L2089 | 108-0249-00 | | | COIL,RF:12UH | 76493 | B-4992 |
| A50A2Q2091 | 151-1022-00 | | | TRANSISTOR:FET,N-CHAN,SI,F1782,T0-18 | 17856 | FN1234 |
| A50A2R1081 | 315-0222-00 | | | RES.,FXD,CMPSN:2.2K OHM,5%,0.25W | 01121 | CB2225 |
| A50A2R1082 | 315-0471-00 | | | RES.,FXD,CMPSN:470 OHM,5%,0.25W | 01121 | CB4715 |
| A50A2R2024 | 315-0471-00 | | | RES.,FXD,CMPSN:470 OHM,5%,0.25W | 01121 | CB4715 |
| A50A2R2032 | 315-0430-00 | | | RES.,FXD,CMPSN:43 OHM,5%,0.25W | 01121 | CB4305 |
| A50A2R2033 | 315-0201-00 | | | RES.,FXD,CMPSN:200 OHM,5%,0.25W | 01121 | CB2015 |
| A50A2R2085 | 321-0280-00 | | | RES.,FXD,FILM:8.06K OHM,1%,0.125W | 91637 | MFF1816G80600F |
| A50A2R2086 | 321-0281-00 | | | RES.,FXD,FILM:8.25K OHM,1%,0.125W | 91637 | MFF1816G82500F |
| A50A2R2091 | 315-0301-00 | | | RES.,FXD,CMPSN:300 OHM,5%,0.25W | 01121 | CB3015 |
| A50A2R2102 | 315-0510-00 | | | RES.,FXD,CMPSN:51 OHM,5%,0.25W | 01121 | CB5105 |
| A50A2R2103 | 315-0470-00 | | | RES.,FXD,CMPSN:47 OHM,5%,0.25W | 01121 | CB4705 |
| A50A2R2105 | 315-0470-00 | | | RES.,FXD,CMPSN:47 OHM,5%,0.25W | 01121 | CB4705 |
| A50A2U1015 | 156-0991-00 | | | MICROCIRCUIT,LI:VOLTAGE REGULATOR | 04713 | MC78L05ACP |
| A50A2U1022 | 156-0785-04 | | | MICROCIRCUIT,DI:SYN UP/DN BINARY COUNTER | 01295 | SN74S169N3 |
| A50A2U1091 | 156-0459-02 | | | MICROCIRCUIT,DI:QUAD 2 INPUT & GATE,BURN | 01295 | SN74S08 |

| Component No. | Tektronix Part No. | Serial/Model No. Eff Dscont | Name & Description | Mfr Code | Mfr Part Number |
|---------------|--------------------|-----------------------------|---|----------|------------------|
| A50A3 | 670-5522-01 | | CKT BOARD ASSY:OFFSET MIXER | 80009 | 670-5522-01 |
| A50A3C1022 | 283-0203-00 | | CAP.,FXD,CER DI:0.47UF,20%,50V | 72982 | 8131M058Z5U0474M |
| A50A3C1030 | 290-0527-00 | | CAP.,FXD,ELCTLT:15UF,20%,20V | 90201 | TDC156M020FL |
| A50A3C1031 | 283-0010-00 | | CAP.,FXD,CER DI:0.05UF,+100-20%,50V | 56289 | 1C10Z5U503Z050B |
| A50A3C1040 | 283-0203-00 | | CAP.,FXD,CER DI:0.47UF,20%,50V | 72982 | 8131M058Z5U0474M |
| A50A3C1050 | 283-0010-00 | | CAP.,FXD,CER DI:0.05UF,+100-20%,50V | 56289 | 1C10Z5U503Z050B |
| A50A3C2012 | 283-0010-00 | | CAP.,FXD,CER DI:0.05UF,+100-20%,50V | 56289 | 1C10Z5U503Z050B |
| A50A3C2020 | 283-0010-00 | | CAP.,FXD,CER DI:0.05UF,+100-20%,50V | 56289 | 1C10Z5U503Z050B |
| A50A3C2041 | 283-0010-00 | | CAP.,FXD,CER DI:0.05UF,+100-20%,50V | 56289 | 1C10Z5U503Z050B |
| A50A3C2050 | 290-0513-00 | | CAP.,FXD,ELCTLT:510UF,+75-10%,25V | 56289 | 109D575 |
| A50A3CR1010 | 152-0322-00 | | SEMICONV DEVICE:SILICON,15V,HOT CARRIER | 50434 | 5082-2672 |
| A50A3CR1011 | 152-0322-00 | | SEMICONV DEVICE:SILICON,15V,HOT CARRIER | 50434 | 5082-2672 |
| A50A3CR2010 | 152-0322-00 | | SEMICONV DEVICE:SILICON,15V,HOT CARRIER | 50434 | 5082-2672 |
| A50A3CR2021 | 152-0322-00 | | SEMICONV DEVICE:SILICON,15V,HOT CARRIER | 50434 | 5082-2672 |
| A50A3L2020 | 108-0226-00 | | COIL,RF:100UH | 76493 | DWG B4257 |
| A50A3Q1020 | 151-0301-00 | | TRANSISTOR:SILICON,PNP | 27014 | 2N2907A |
| A50A3Q1030 | 151-0301-00 | | TRANSISTOR:SILICON,PNP | 27014 | 2N2907A |
| A50A3Q1040 | 151-0302-00 | | TRANSISTOR:SILICON,NPN | 07263 | S038487 |
| A50A3Q2021 | 151-0434-00 | | TRANSISTOR:SILICON,PNP | 04713 | SS7144 |
| A50A3R1010 | 321-0068-00 | | RES.,FXD,FILM:49.9 OHM,1%,0.125W | 91637 | MFF1816G49R90F |
| A50A3R1011 | 321-0068-00 | | RES.,FXD,FILM:49.9 OHM,1%,0.125W | 91637 | MFF1816G49R90F |
| A50A3R1020 | 315-0202-00 | | RES.,FXD,CMPSN:2K OHM,5%,0.25W | 01121 | CB2025 |
| A50A3R1022 | 315-0510-00 | | RES.,FXD,CMPSN:51 OHM,5%,0.25W | 01121 | CB5105 |
| A50A3R1023 | 315-0101-00 | | RES.,FXD,CMPSN:100 OHM,5%,0.25W | 01121 | CB1015 |
| A50A3R1030 | 315-0202-00 | | RES.,FXD,CMPSN:2K OHM,5%,0.25W | 01121 | CB2025 |
| A50A3R1031 | 315-0432-00 | | RES.,FXD,CMPSN:4.3K OHM,5%,0.25W | 01121 | CB4325 |
| A50A3R1040 | 315-0100-00 | | RES.,FXD,CMPSN:10 OHM,5%,0.25W | 01121 | CB1005 |
| A50A3R1041 | 315-0102-00 | | RES.,FXD,CMPSN:1K OHM,5%,0.25W | 01121 | CB1025 |
| A50A3R1042 | 315-0102-00 | | RES.,FXD,CMPSN:1K OHM,5%,0.25W | 01121 | CB1025 |
| A50A3R1050 | 315-0102-00 | | RES.,FXD,CMPSN:1K OHM,5%,0.25W | 01121 | CB1025 |
| A50A3R2010 | 321-0068-00 | | RES.,FXD,FILM:49.9 OHM,1%,0.125W | 91637 | MFF1816G49R90F |
| A50A3R2021 | 321-0068-00 | | RES.,FXD,FILM:49.9 OHM,1%,0.125W | 91637 | MFF1816G49R90F |
| A50A3R2025 | 315-0471-00 | | RES.,FXD,CMPSN:470 OHM,5%,0.25W | 01121 | CB4715 |
| A50A3R2026 | 315-0102-00 | | RES.,FXD,CMPSN:1K OHM,5%,0.25W | 01121 | CB1025 |
| A50A3R2030 | 315-0510-00 | | RES.,FXD,CMPSN:51 OHM,5%,0.25W | 01121 | CB5105 |
| A50A3R2031 | 315-0103-00 | | RES.,FXD,CMPSN:10K OHM,5%,0.25W | 01121 | CB1035 |
| A50A3R2032 | 315-0510-00 | | RES.,FXD,CMPSN:51 OHM,5%,0.25W | 01121 | CB5105 |
| A50A3R2040 | 315-0102-00 | | RES.,FXD,CMPSN:1K OHM,5%,0.25W | 01121 | CB1025 |
| A50A3T1010 | 120-1011-00 | | XFMR,RF:TOROID,3 WINDINGS,TRIFILAR | 80009 | 120-1011-00 |
| A50A3T2010 | 120-1011-00 | | XFMR,RF:TOROID,3 WINDINGS,TRIFILAR | 80009 | 120-1011-00 |
| A50A3T2030 | 120-0459-00 | | XFMR,TOROID:10 TURNS,BIFILAR | 80009 | 120-0459-00 |
| A50A3U1030 | 156-0991-00 | | MICROCIRCUIT,LI:VOLTAGE REGULATOR | 04713 | MC78L05ACP |
| A50A3U1050 | 156-0388-03 | | MICROCIRCUIT,DI:DUAL D FLIP-FLOP | 07263 | 74LS74A |
| A50A3U2040 | 156-0991-00 | | MICROCIRCUIT,LI:VOLTAGE REGULATOR | 04713 | MC78L05ACP |
| A50A3U2050 | 156-0386-02 | | MICROCIRCUIT,DI:TRIPLE 3-INP NAND GATE | 27014 | DM74LS10N |

Replaceable Electrical Parts—496/496P Service Vol.2

| Component No. | Tektronix Part No. | Serial/Model No. Eff Dscnt | Name & Description | Mfr Code | Mfr Part Number |
|---------------|--------------------|----------------------------|------------------------------------|----------|------------------|
| A50A4 | 670-5521-05 | | CKT BOARD ASSY:ERROR AMPLIFIER | 80009 | 670-5521-05 |
| A50A4C1011 | 283-0204-00 | | CAP.,FXD,CER DI:0.01UF,20%,50V | 96733 | R2676 |
| A50A4C1012 | 283-0204-00 | | CAP.,FXD,CER DI:0.01UF,20%,50V | 96733 | R2676 |
| A50A4C1031 | 283-0177-00 | | CAP.,FXD,CER DI:1UF,+80-20%,25V | 56289 | 2C20Z5U105Z025B |
| A50A4C1032 | 283-0204-00 | | CAP.,FXD,CER DI:0.01UF,20%,50V | 96733 | R2676 |
| A50A4C1037 | 283-0177-00 | | CAP.,FXD,CER DI:1UF,+80-20%,25V | 56289 | 2C20Z5U105Z025B |
| A50A4C1038 | 283-0339-00 | | CAP.,FXD,CER DI:0.22UF,10%,50V | 72982 | 8131N075W5R224K |
| A50A4C1068 | 283-0177-00 | | CAP.,FXD,CER DI:1UF,+80-20%,25V | 56289 | 2C20Z5U105Z025B |
| A50A4C1078 | 290-0782-00 | | CAP.,FXD,ELCTLT:4.7UF,+75-10%,35V | 55680 | 35ULA4R7V-T |
| A50A4C1079 | 283-0032-00 | | CAP.,FXD,CER DI:470PF,5%,500V | 59660 | 0831085Z5E00471J |
| A50A4C2013 | 283-0204-00 | | CAP.,FXD,CER DI:0.01UF,20%,50V | 96733 | R2676 |
| A50A4C2015 | 283-0204-00 | | CAP.,FXD,CER DI:0.01UF,20%,50V | 96733 | R2676 |
| A50A4C2017 | 283-0028-00 | | CAP.,FXD,CER DI:0.0022UF,20%,50V | 59660 | 080558Y5SO222M |
| A50A4C2019 | 283-0204-00 | | CAP.,FXD,CER DI:0.01UF,20%,50V | 96733 | R2676 |
| A50A4C2021 | 283-0032-00 | | CAP.,FXD,CER DI:470PF,5%,500V | 59660 | 0831085Z5E00471J |
| A50A4C2034 | 283-0177-00 | | CAP.,FXD,CER DI:1UF,+80-20%,25V | 56289 | 2C20Z5U105Z025B |
| A50A4C2035 | 283-0204-00 | | CAP.,FXD,CER DI:0.01UF,20%,50V | 96733 | R2676 |
| A50A4C2048 | 283-0204-00 | | CAP.,FXD,CER DI:0.01UF,20%,50V | 96733 | R2676 |
| A50A4C2049 | 283-0070-00 | | CAP.,FXD,CER DI:30PF,10%,50V | 72982 | 8121-060C0G0300K |
| A50A4C2052 | 285-0905-00 | | CAP.,FXD,PLSTC:0.33UF,5%,50V | 56289 | LP66A1A334J002 |
| A50A4C2059 | 283-0687-00 | | CAP.,FXD,MICA D:560PF,2%,300V | 00853 | D153F561G0 |
| A50A4C2060 | 283-0177-00 | | CAP.,FXD,CER DI:1UF,+80-20%,25V | 56289 | 2C20Z5U105Z025B |
| A50A4C2061 | 283-0100-00 | | CAP.,FXD,CER DI:0.0047UF,10%,200V | 56289 | 273C3 |
| A50A4C2062 | 283-0198-00 | | CAP.,FXD,CER DI:0.22UF,20%,50V | 56289 | 1C10Z5U223M050B |
| A50A4C2067 | 283-0177-00 | | CAP.,FXD,CER DI:1UF,+80-20%,25V | 56289 | 2C20Z5U105Z025B |
| A50A4C2069 | 283-0203-00 | | CAP.,FXD,CER DI:0.47UF,20%,50V | 72982 | 8131M058Z5U0474M |
| A50A4C2071 | 283-0204-00 | | CAP.,FXD,CER DI:0.01UF,20%,50V | 96733 | R2676 |
| A50A4C2072 | 283-0204-00 | | CAP.,FXD,CER DI:0.01UF,20%,50V | 96733 | R2676 |
| A50A4C2077 | 283-0198-00 | | CAP.,FXD,CER DI:0.22UF,20%,50V | 56289 | 1C10Z5U223M050B |
| A50A4C2078 | 283-0100-00 | | CAP.,FXD,CER DI:0.0047UF,10%,200V | 56289 | 273C3 |
| A50A4C2082 | 290-0942-00 | | CAP.,FXD,ELCTLT:100UF,+100-10%,25V | 56289 | 672D107H025CG2C |
| A50A4C3010 | 283-0203-00 | | CAP.,FXD,CER DI:0.47UF,20%,50V | 72982 | 8131M058Z5U0474M |
| A50A4C3011 | 283-0204-00 | | CAP.,FXD,CER DI:0.01UF,20%,50V | 96733 | R2676 |
| A50A4C3044 | 283-0239-00 | | CAP.,FXD,CER DI:0.022UF,10%,50V | 72982 | 8121N083X7R0223K |
| A50A4C3047 | 285-0905-00 | | CAP.,FXD,PLSTC:0.33UF,5%,50V | 56289 | LP66A1A334J002 |
| A50A4C3051 | 283-0032-00 | | CAP.,FXD,CER DI:470PF,5%,500V | 59660 | 0831085Z5E00471J |
| A50A4C3065 | 283-0115-00 | | CAP.,FXD,CER DI:47PF,5%,200V | 59660 | 805-519-C0G0470J |
| A50A4CR2045 | 152-0141-02 | | SEMICONV DEVICE:SILICON,30V,150MA | 01295 | 1N4152R |
| A50A4CR2046 | 152-0141-02 | | SEMICONV DEVICE:SILICON,30V,150MA | 01295 | 1N4152R |
| A50A4CR3069 | 152-0141-02 | | SEMICONV DEVICE:SILICON,30V,150MA | 01295 | 1N4152R |
| A50A4L3010 | 108-1112-00 | | COIL,RF:FIXED,170UH | 80009 | 108-1112-00 |
| A50A4L3060 | 108-1112-00 | | COIL,RF:FIXED,170UH | 80009 | 108-1112-00 |
| A50A4R1011 | 321-0001-00 | | RES.,FXD,FILM:10 OHM,1%,0.125W | 75042 | CEAT0-10R00F |
| A50A4R1021 | 315-0102-00 | | RES.,FXD,CMPSN:1K OHM,5%,0.25W | 01121 | CB1025 |
| A50A4R1022 | 315-0102-00 | | RES.,FXD,CMPSN:1K OHM,5%,0.25W | 01121 | CB1025 |
| A50A4R1023 | 315-0102-00 | | RES.,FXD,CMPSN:1K OHM,5%,0.25W | 01121 | CB1025 |
| A50A4R1024 | 315-0103-00 | | RES.,FXD,CMPSN:10K OHM,5%,0.25W | 01121 | CB1035 |
| A50A4R1031 | 315-0512-00 | | RES.,FXD,CMPSN:5.1K OHM,5%,0.25W | 01121 | CB5125 |
| A50A4R1032 | 315-0101-00 | | RES.,FXD,CMPSN:100 OHM,5%,0.25W | 01121 | CB1015 |
| A50A4R1034 | 321-0143-00 | | RES.,FXD,FILM:301 OHM,1%,0.125W | 91637 | MFF1816G301R0F |
| A50A4R1035 | 315-0101-00 | | RES.,FXD,CMPSN:100 OHM,5%,0.25W | 01121 | CB1015 |
| A50A4R1037 | 315-0510-00 | | RES.,FXD,CMPSN:51 OHM,5%,0.25W | 01121 | CB5105 |
| A50A4R1038 | 315-0102-00 | | RES.,FXD,CMPSN:1K OHM,5%,0.25W | 01121 | CB1025 |
| A50A4R1043 | 315-0103-00 | | RES.,FXD,CMPSN:10K OHM,5%,0.25W | 01121 | CB1035 |
| A50A4R1054 | 315-0510-00 | | RES.,FXD,CMPSN:51 OHM,5%,0.25W | 01121 | CB5105 |

| Component No. | Tektronix Part No. | Serial/Model No. Eff Dscont | Name & Description | Mfr Code | Mfr Part Number |
|---------------|--------------------|-----------------------------|--|----------|-----------------|
| A50A4R1061 | 311-1263-00 | | RES.,VAR, NONWIR:1K OHM,10%,0.50W | 32997 | 3329P-L58-102 |
| A50A4R1072 | 315-0161-00 | | RES.,FXD,CMPSN:160 OHM,5%,0.25W | 01121 | CB1615 |
| A50A4R1075 | 307-0114-00 | | RES.,FXD,CMPSN:6.2 OHM,5%,0.25W | 01121 | CB62G5 |
| A50A4R2013 | 315-0510-00 | | RES.,FXD,CMPSN:51 OHM,5%,0.25W | 01121 | CB5105 |
| A50A4R2014 | 321-0001-00 | | RES.,FXD,FILM:10 OHM,1%,0.125W | 75042 | CEAT0-10R00F |
| A50A4R2015 | 321-0243-00 | | RES.,FXD,FILM:3.32K OHM,1%,0.125W | 91637 | MFF1816G33200F |
| A50A4R2016 | 321-0001-00 | | RES.,FXD,FILM:10 OHM,1%,0.125W | 75042 | CEAT0-10R00F |
| A50A4R2017 | 315-0202-00 | | RES.,FXD,CMPSN:2K OHM,5%,0.25W | 01121 | CB2025 |
| A50A4R2018 | 321-0243-00 | | RES.,FXD,FILM:3.32K OHM,1%,0.125W | 91637 | MFF1816G33200F |
| A50A4R2028 | 315-0103-00 | | RES.,FXD,CMPSN:10K OHM,5%,0.25W | 01121 | CB1035 |
| A50A4R2029 | 315-0102-00 | | RES.,FXD,CMPSN:1K OHM,5%,0.25W | 01121 | CB1025 |
| A50A4R2031 | 315-0510-00 | | RES.,FXD,CMPSN:51 OHM,5%,0.25W | 01121 | CB5105 |
| A50A4R2038 | 315-0102-00 | | RES.,FXD,CMPSN:1K OHM,5%,0.25W | 01121 | CB1025 |
| A50A4R2042 | 321-0186-00 | | RES.,FXD,FILM:845 OHM,1%,0.125W | 91637 | MFF1816G845R0F |
| A50A4R2043 | 321-0435-00 | | RES.,FXD,FILM:332K OHM,1%,0.125W | 91637 | MFF1816G33202F |
| A50A4R2046 | 315-0123-00 | | RES.,FXD,CMPSN:12K OHM,5%,0.25W | 01121 | CB1235 |
| A50A4R2048 | 315-0510-00 | | RES.,FXD,CMPSN:51 OHM,5%,0.25W | 01121 | CB5105 |
| A50A4R2049 | 315-0123-00 | | RES.,FXD,CMPSN:12K OHM,5%,0.25W | 01121 | CB1235 |
| A50A4R2051 | 321-0356-00 | | RES.,FXD,FILM:49.9K OHM,1%,0.125W | 91637 | MFF1816G49901F |
| A50A4R2052 | 321-0261-00 | | RES.,FXD,FILM:5.11K OHM,1%,0.125W | 91637 | MFF1816G51100F |
| A50A4R2061 | 315-0102-00 | | RES.,FXD,CMPSN:1K OHM,5%,0.25W | 01121 | CB1025 |
| A50A4R2062 | 315-0202-00 | | RES.,FXD,CMPSN:2K OHM,5%,0.25W | 01121 | CB2025 |
| A50A4R2066 | 315-0102-00 | | RES.,FXD,CMPSN:1K OHM,5%,0.25W | 01121 | CB1025 |
| A50A4R2067 | 315-0682-00 | | RES.,FXD,CMPSN:6.8K OHM,5%,0.25W | 01121 | CB6825 |
| A50A4R2083 | 321-0155-00 | | RES.,FXD,FILM:402 OHM,1%,0.125W | 91637 | MFF1816G402R0F |
| A50A4R3010 | 315-0620-00 | | RES.,FXD,CMPSN:62 OHM,5%,0.25W | 01121 | CB6205 |
| A50A4R3011 | 307-0105-00 | | RES.,FXD,CMPSN:3.9 OHM,5%,0.25W | 01121 | CB39G5 |
| A50A4R3046 | 315-0300-00 | | RES.,FXD,CMPSN:30 OHM,5%,0.25W | 01121 | CB3005 |
| A50A4R3051 | 321-0179-00 | | RES.,FXD,FILM:715 OHM,1%,0.125W | 91637 | MFF1816G715R0F |
| A50A4R3052 | 321-0269-00 | | RES.,FXD,FILM:6.19K OHM,1%,0.125W | 91637 | MFF1816G61900F |
| A50A4R3054 | 321-0180-00 | | RES.,FXD,FILM:732 OHM,1%,0.125W | 91637 | MFF1816G732R0F |
| A50A4R3060 | 315-0620-00 | | RES.,FXD,CMPSN:62 OHM,5%,0.25W | 01121 | CB6205 |
| A50A4R3068 | 315-0682-00 | | RES.,FXD,CMPSN:6.8K OHM,5%,0.25W | 01121 | CB6825 |
| A50A4R3077 | 315-0202-00 | | RES.,FXD,CMPSN:2K OHM,5%,0.25W | 01121 | CB2025 |
| A50A4R3078 | 315-0102-00 | | RES.,FXD,CMPSN:1K OHM,5%,0.25W | 01121 | CB1025 |
| A50A4R3082 | 311-1281-00 | | RES.,VAR, NONWIR:2.5K OHM,10%,0.5W | 32997 | 3329W-L58-252 |
| A50A4R3083 | 321-0155-00 | | RES.,FXD,FILM:402 OHM,1%,0.125W | 91637 | MFF1816G402R0F |
| A50A4U1015 | 156-0570-00 | | MICROCIRCUIT,LI:DUAL HIGH SPEED COMPARATOR | 27014 | LM319H |
| A50A4U1035 | 156-1126-01 | | MICROCIRCUIT,LI:VOLTAGE COMPARATOR,SEL | 01295 | LM311JG4 |
| A50A4U1042 | 156-0991-00 | | MICROCIRCUIT,LI:VOLTAGE REGULATOR | 04713 | MC78L05ACP |
| A50A4U2025 | 156-0796-00 | | MICROCIRCUIT,DI:8 STG SHF & STORE BUS RGTR | 80009 | 156-0796-00 |
| A50A4U2037 | 156-1211-00 | | MICROCKT,INTFC:QUAD SPST SWITCH,2NC,2NO | 80009 | 156-1211-00 |
| A50A4U2048 | 156-0105-02 | | MICROCIRCUIT,LI:OPERATIONAL AMPLIFIER,SEL | 01295 | LM301AJG4 |
| A50A4U2065 | 156-0742-02 | | MICROCIRCUIT,LI:OPERATIONAL AMPLIFIER,SEL | 01295 | LM318JG |
| A50A4U2075 | 156-0277-00 | | MICROCIRCUIT,LI:VOLTAGE REGULATOR | 07263 | MICROA7805UC |
| A50A4U3017 | 156-1160-00 | | MICROCIRCUIT,LI:VOLTAGE REGULATOR | 04713 | MC78L12ACG |
| A50A4U3075 | 156-0132-00 | | MICROCIRCUIT,LI:OPERATIONAL AMPLIFIER | 34371 | HA2-911-5 |
| A50A4VR2065 | 152-0175-01 | | SEMICONV DEVICE:ZENER,0.4W,5.6V,5% | 04713 | SZG5021RL |
| A50A4VR3047 | 152-0647-00 | | SEMICONV DEVICE:ZENER,0.4W,6.8V,5% | 04713 | SZG35014K3RL |
| A50A4VR3048 | 152-0647-00 | | SEMICONV DEVICE:ZENER,0.4W,6.8V,5% | 04713 | SZG35014K3RL |
| A50A4W1050 | 131-0566-00 | | BUS CONDUCTOR:DUMMY RES,2.375,22 AWG | 57668 | JWW-0200E0 |
| A50A4W2084 | 131-0566-00 | | BUS CONDUCTOR:DUMMY RES,2.375,22 AWG | 57668 | JWW-0200E0 |

Replaceable Electrical Parts—496/496P Service Vol.2

| Component No. | Tektronix Part No. | Serial/Model No. Eff | Dscont | Name & Description | Mfr Code | Mfr Part Number |
|---------------|--------------------|----------------------|---------|--|----------|------------------|
| A50A5 | 670-5524-00 | B010100 | B010109 | CKT BOARD ASSY:CONTROLLED OSC | 80009 | 670-5524-00 |
| A50A5 | 670-5524-01 | B010110 | | CKT BOARD ASSY:CONTROLLED OSC | 80009 | 670-5524-01 |
| A50A5C1011 | 283-0185-00 | B010100 | B010109 | CAP.,FXD,CER DI:2.5PF,5%,50V | 72982 | 8101B057C0K0295B |
| A50A5C1011 | 281-0810-00 | B010110 | | CAP.,FXD,CER DI:5.6PF,0.5%,100V | 04222 | GC10-1A5R6D |
| A50A5C1012 | 283-0260-00 | | | CAP.,FXD,CER DI:5.6PF,5%,200V | 51642 | 150 200NP0569C |
| A50A5C1013 | 281-0161-00 | | | CAP.,VAR,CER DI:5-15PF,350V | 59660 | 518-000A5-15 |
| A50A5C1024 | 283-0204-00 | | | CAP.,FXD,CER DI:0.01UF,20%,50V | 96733 | R2676 |
| A50A5C1025 | 283-0204-00 | | | CAP.,FXD,CER DI:0.01UF,20%,50V | 96733 | R2676 |
| A50A5C1030 | 283-0197-00 | B010100 | B010109 | CAP.,FXD,CER DI:470PF,5%,100V | 72982 | 8121N075C0G0471J |
| A50A5C1031 | 283-0204-00 | | | CAP.,FXD,CER DI:0.01UF,20%,50V | 96733 | R2676 |
| A50A5C1038 | 281-0622-00 | | | CAP.,FXD,CER DI:47PF,1%,500V | 59660 | 0301080C0G0470F |
| A50A5C1041 | 281-0165-00 | | | CAP.,VAR,AIR DI:0.8-10PF,250V | 73899 | MVM-010W |
| A50A5C1042 | 281-0165-00 | | | CAP.,VAR,AIR DI:0.8-10PF,250V | 73899 | MVM-010W |
| A50A5C1048 | 281-0622-00 | | | CAP.,FXD,CER DI:47PF,1%,500V | 59660 | 0301080C0G0470F |
| A50A5C2011 | 281-0168-00 | | | CAP.,VAR,AIR DI:1.3-5.4PF,250V | 74970 | 187-0103-035 |
| A50A5C2021 | 283-0348-00 | | | CAP.,FXD,CER DI:0.47UF,+80-20%,100V | 72982 | 8131-M100F474Z |
| A50A5C2022 | 290-0523-00 | B010100 | B010109 | CAP.,FXD,ELCTLT:2.2UF,20%,20V | 56289 | 196D225X0020HA1 |
| A50A5C2022 | 290-0527-00 | B010110 | | CAP.,FXD,ELCTLT:15UF,20%,20V | 90201 | TDC156M020FL |
| A50A5C2023 | 283-0204-00 | | | CAP.,FXD,CER DI:0.01UF,20%,50V | 96733 | R2676 |
| A50A5C2034 | 283-0204-00 | | | CAP.,FXD,CER DI:0.01UF,20%,50V | 96733 | R2676 |
| A50A5C2041 | 283-0204-00 | | | CAP.,FXD,CER DI:0.01UF,20%,50V | 96733 | R2676 |
| A50A5C2042 | 283-0195-00 | | | CAP.,FXD,CER DI:680PF,5%,50V | 72982 | 8121N075C0G0681J |
| A50A5C2043 | 283-0195-00 | | | CAP.,FXD,CER DI:680PF,5%,50V | 72982 | 8121N075C0G0681J |
| A50A5CR1011 | 152-0719-00 | | | SEMICONV DEVICE:SILICON,100PF,5%,30V | 80009 | 152-0719-00 |
| A50A5CR1012 | 152-0719-00 | | | SEMICONV DEVICE:SILICON,100PF,5%,30V | 80009 | 152-0719-00 |
| A50A5L1011 | 108-0105-00 | | | COIL,RF:FIXED,1.59UH | 80009 | 108-0105-00 |
| A50A5L1025 | 108-0991-00 | | | COIL,RF:FIXED,800NH | 80009 | 108-0991-00 |
| A50A5L1035 | 108-0990-00 | | | COIL,RF:750NH | 80009 | 108-0990-00 |
| A50A5L2034 | 108-0395-00 | | | COIL,RF:64UH | 80009 | 108-0395-00 |
| A50A5L2043 | 108-0962-00 | | | COIL,RF:FIXED,750NH,TOROIDAL INDUCT | 80009 | 108-0962-00 |
| A50A5Q1028 | 151-0188-00 | | | TRANSISTOR:SILICON,PNP | 04713 | SPS6868K |
| A50A5Q2025 | 151-0438-00 | | | TRANSISTOR:SILICON,PNP,SEL FROM SPS692 | 80009 | 151-0438-00 |
| A50A5Q2026 | 151-0438-00 | | | TRANSISTOR:SILICON,PNP,SEL FROM SPS692 | 80009 | 151-0438-00 |
| A50A5Q2033 | 151-0438-00 | | | TRANSISTOR:SILICON,PNP,SEL FROM SPS692 | 80009 | 151-0438-00 |
| A50A5Q2041 | 151-0438-00 | | | TRANSISTOR:SILICON,PNP,SEL FROM SPS692 | 80009 | 151-0438-00 |
| A50A5R1024 | 315-0201-00 | | | RES.,FXD,CMPSN:200 OHM,5%,0.25W | 01121 | CB2015 |
| A50A5R1026 | 315-0471-00 | | | RES.,FXD,CMPSN:470 OHM,5%,0.25W | 01121 | CB4715 |
| A50A5R1030 | 315-0100-00 | | | RES.,FXD,CMPSN:10 OHM,5%,0.25W | 01121 | CB1005 |
| A50A5R1031 | 315-0103-00 | | | RES.,FXD,CMPSN:10K OHM,5%,0.25W | 01121 | CB1035 |
| A50A5R1032 | 315-0390-00 | | | RES.,FXD,CMPSN:39 OHM,5%,0.25W | 01121 | CB3905 |
| A50A5R1033 | 315-0103-00 | | | RES.,FXD,CMPSN:10K OHM,5%,0.25W | 01121 | CB1035 |
| A50A5R2020 | 315-0100-00 | B010110 | | RES.,FXD,CMPSN:10 OHM,5%,0.25W | 01121 | CB1005 |
| A50A5R2021 | 315-0101-00 | | | RES.,FXD,CMPSN:100 OHM,5%,0.25W | 01121 | CB1015 |
| A50A5R2022 | 315-0103-00 | B010100 | B010109 | RES.,FXD,CMPSN:10K OHM,5%,0.25W | 01121 | CB1035 |
| A50A5R2022 | 315-0202-00 | B010110 | | RES.,FXD,CMPSN:2K OHM,5%,0.25W | 01121 | CB2025 |
| A50A5R2025 | 315-0103-00 | | | RES.,FXD,CMPSN:10K OHM,5%,0.25W | 01121 | CB1035 |
| A50A5R2026 | 321-0103-00 | | | RES.,FXD,FILM:115 OHM,1%,0.125W | 91637 | MFF1816G115R0F |
| A50A5R2027 | 315-0101-00 | | | RES.,FXD,CMPSN:100 OHM,5%,0.25W | 01121 | CB1015 |
| A50A5R2031 | 315-0103-00 | | | RES.,FXD,CMPSN:10K OHM,5%,0.25W | 01121 | CB1035 |
| A50A5R2032 | 315-0220-00 | | | RES.,FXD,CMPSN:22 OHM,5%,0.25W | 01121 | CB2205 |
| A50A5R2033 | 315-0471-00 | | | RES.,FXD,CMPSN:470 OHM,5%,0.25W | 01121 | CB4715 |
| A50A5R2034 | 315-0101-00 | | | RES.,FXD,CMPSN:100 OHM,5%,0.25W | 01121 | CB1015 |
| A50A5R2038 | 315-0182-00 | | | RES.,FXD,CMPSN:1.8K OHM,5%,0.25W | 01121 | CB1825 |
| A50A5R2041 | 315-0103-00 | | | RES.,FXD,CMPSN:10K OHM,5%,0.25W | 01121 | CB1035 |
| A50A5R2042 | 315-0151-00 | | | RES.,FXD,CMPSN:150 OHM,5%,0.25W | 01121 | CB1515 |
| A50A5R2043 | 315-0201-00 | | | RES.,FXD,CMPSN:200 OHM,5%,0.25W | 01121 | CB2015 |
| A50A5U2021 | 156-1160-00 | | | MICROCIRCUIT,L:VOLTAGE REGULATOR | 04713 | MC78L12ACG |
| A50A5Y1021 | 158-0172-00 | | | XTAL UNIT,QTZ:25.064MHZ,0.001%,SERIES | 33096 | 0BD |

| Component No. | Tektronix Part No. | Serial/Model No. Eff Dscont | Name & Description | Mfr Code | Mfr Part Number |
|---------------|--------------------|-----------------------------|-----------------------------------|----------|------------------|
| A51 | 670-5523-01 | | CKT BOARD ASSY:PHASE LOCK CONTROL | 80009 | 670-5523-01 |
| A51C1015 | 283-0204-00 | | CAP.,FXD,CER DI:0.01UF,20%,50V | 96733 | R2676 |
| A51C1040 | 290-0527-00 | | CAP.,FXD,ELCTLT:15UF,20%,20V | 90201 | TDC156M020FL |
| A51C1090 | 283-0177-00 | | CAP.,FXD,CER DI:1UF, +80-20%,25V | 56289 | 2C20Z5U105Z025B |
| A51C3014 | 283-0204-00 | | CAP.,FXD,CER DI:0.01UF,20%,50V | 96733 | R2676 |
| A51C5010 | 283-0204-00 | | CAP.,FXD,CER DI:0.01UF,20%,50V | 96733 | R2676 |
| A51C5090 | 283-0204-00 | | CAP.,FXD,CER DI:0.01UF,20%,50V | 96733 | R2676 |
| A51C6022 | 283-0204-00 | | CAP.,FXD,CER DI:0.01UF,20%,50V | 96733 | R2676 |
| A51C6050 | 283-0032-00 | | CAP.,FXD,CER DI:470PF,5%,500V | 59660 | 0831085Z5E00471J |
| A51C6092 | 283-0204-00 | | CAP.,FXD,CER DI:0.01UF,20%,50V | 96733 | R2676 |
| A51C7010 | 283-0204-00 | | CAP.,FXD,CER DI:0.01UF,20%,50V | 96733 | R2676 |
| A51C7030 | 283-0221-00 | | CAP.,FXD,CER DI:0.47UF,20%,50V | 72982 | 8131N087X7R0474M |
| A51C7032 | 290-0183-00 | | CAP.,FXD,ELCTLT:1UF,10%,35V | 90201 | TAC105K035P02 |
| A51C7090 | 283-0111-00 | | CAP.,FXD,CER DI:0.1UF,20%,50V | 56289 | 273C11 |
| A51CR6060 | 152-0141-02 | | SEMICONV DEVICE:SILICON,30V,150MA | 01295 | 1N4152R |
| A51CR7026 | 152-0141-02 | | SEMICONV DEVICE:SILICON,30V,150MA | 01295 | 1N4152R |
| A51CR7027 | 152-0141-02 | | SEMICONV DEVICE:SILICON,30V,150MA | 01295 | 1N4152R |
| A51CR7030 | 152-0141-02 | | SEMICONV DEVICE:SILICON,30V,150MA | 01295 | 1N4152R |
| A51Q3016 | 151-0302-00 | | TRANSISTOR:SILICON,NPN | 07263 | S038487 |
| A51Q4090 | 151-0302-00 | | TRANSISTOR:SILICON,NPN | 07263 | S038487 |
| A51Q7030 | 151-0302-00 | | TRANSISTOR:SILICON,NPN | 07263 | S038487 |
| A51Q7060 | 151-0302-00 | | TRANSISTOR:SILICON,NPN | 07263 | S038487 |
| A51Q7070 | 151-0302-00 | | TRANSISTOR:SILICON,NPN | 07263 | S038487 |
| A51Q7080 | 151-0302-00 | | TRANSISTOR:SILICON,NPN | 07263 | S038487 |
| A51R1019 | 315-0510-00 | | RES.,FXD,CMPSN:51 OHM,5%,0.25W | 01121 | CB5105 |
| A51R1028 | 315-0471-00 | | RES.,FXD,CMPSN:470 OHM,5%,0.25W | 01121 | CB4715 |
| A51R1090 | 315-0102-00 | | RES.,FXD,CMPSN:1K OHM,5%,0.25W | 01121 | CB1025 |
| A51R2014 | 315-0471-00 | | RES.,FXD,CMPSN:470 OHM,5%,0.25W | 01121 | CB4715 |
| A51R2019 | 315-0273-00 | | RES.,FXD,CMPSN:27K OHM,5%,0.25W | 01121 | CB2735 |
| A51R2020 | 315-0511-00 | | RES.,FXD,CMPSN:510 OHM,5%,0.25W | 01121 | CB5115 |
| A51R3011 | 315-0471-00 | | RES.,FXD,CMPSN:470 OHM,5%,0.25W | 01121 | CB4715 |
| A51R3013 | 315-0510-00 | | RES.,FXD,CMPSN:51 OHM,5%,0.25W | 01121 | CB5105 |
| A51R4090 | 315-0103-00 | | RES.,FXD,CMPSN:10K OHM,5%,0.25W | 01121 | CB1035 |
| A51R4091 | 315-0472-00 | | RES.,FXD,CMPSN:4.7K OHM,5%,0.25W | 01121 | CB4725 |
| A51R5021 | 315-0202-00 | | RES.,FXD,CMPSN:2K OHM,5%,0.25W | 01121 | CB2025 |
| A51R5022 | 315-0202-00 | | RES.,FXD,CMPSN:2K OHM,5%,0.25W | 01121 | CB2025 |
| A51R5056 | 315-0471-00 | | RES.,FXD,CMPSN:470 OHM,5%,0.25W | 01121 | CB4715 |
| A51R6020 | 315-0103-00 | | RES.,FXD,CMPSN:10K OHM,5%,0.25W | 01121 | CB1035 |
| A51R6032 | 315-0104-00 | | RES.,FXD,CMPSN:100K OHM,5%,0.25W | 01121 | CB1045 |
| A51R6034 | 315-0103-00 | | RES.,FXD,CMPSN:10K OHM,5%,0.25W | 01121 | CB1035 |
| A51R6036 | 315-0103-00 | | RES.,FXD,CMPSN:10K OHM,5%,0.25W | 01121 | CB1035 |
| A51R6050 | 315-0103-00 | | RES.,FXD,CMPSN:10K OHM,5%,0.25W | 01121 | CB1035 |
| A51R6051 | 315-0103-00 | | RES.,FXD,CMPSN:10K OHM,5%,0.25W | 01121 | CB1035 |
| A51R6052 | 315-0103-00 | | RES.,FXD,CMPSN:10K OHM,5%,0.25W | 01121 | CB1035 |
| A51R6053 | 315-0102-00 | | RES.,FXD,CMPSN:1K OHM,5%,0.25W | 01121 | CB1025 |
| A51R6055 | 315-0102-00 | | RES.,FXD,CMPSN:1K OHM,5%,0.25W | 01121 | CB1025 |
| A51R6058 | 315-0103-00 | | RES.,FXD,CMPSN:10K OHM,5%,0.25W | 01121 | CB1035 |
| A51R7028 | 315-0393-00 | | RES.,FXD,CMPSN:39K OHM,5%,0.25W | 01121 | CB3935 |
| A51R7032 | 315-0333-00 | | RES.,FXD,CMPSN:33K OHM,5%,0.25W | 01121 | CB3335 |
| A51R7052 | 315-0103-00 | | RES.,FXD,CMPSN:10K OHM,5%,0.25W | 01121 | CB1035 |
| A51R7060 | 315-0103-00 | | RES.,FXD,CMPSN:10K OHM,5%,0.25W | 01121 | CB1035 |
| A51R7070 | 315-0103-00 | | RES.,FXD,CMPSN:10K OHM,5%,0.25W | 01121 | CB1035 |
| A51R7071 | 315-0471-00 | | RES.,FXD,CMPSN:470 OHM,5%,0.25W | 01121 | CB4715 |
| A51R7072 | 315-0102-00 | | RES.,FXD,CMPSN:1K OHM,5%,0.25W | 01121 | CB1025 |
| A51R7073 | 315-0510-00 | | RES.,FXD,CMPSN:51 OHM,5%,0.25W | 01121 | CB5105 |

Replaceable Electrical Parts—496/496P Service Vol.2

| Component No. | Tektronix Part No. | Serial/Model No. Eff Dscont | Name & Description | Mfr Code | Mfr Part Number |
|---------------|--------------------|-----------------------------|--|----------|-----------------|
| A51R7080 | 315-0561-00 | | RES.,FXD,CMPSN:560 OHM,5%,0.25W | 01121 | CB5615 |
| A51R7081 | 315-0513-00 | | RES.,FXD,CMPSN:51K OHM,5%,0.25W | 01121 | CB5135 |
| A51R7082 | 315-0102-00 | | RES.,FXD,CMPSN:1K OHM,5%,0.25W | 01121 | CB1025 |
| A51R7088 | 315-0102-00 | | RES.,FXD,CMPSN:1K OHM,5%,0.25W | 01121 | CB1025 |
| A51R7090 | 315-0561-00 | | RES.,FXD,CMPSN:560 OHM,5%,0.25W | 01121 | CB5615 |
| A51R7091 | 315-0510-00 | | RES.,FXD,CMPSN:51 OHM,5%,0.25W | 01121 | CB5105 |
| A51R7092 | 315-0471-00 | | RES.,FXD,CMPSN:470 OHM,5%,0.25W | 01121 | CB4715 |
| A51U2025 | 156-0331-03 | | MICROCIRCUIT,DI:DUAL D TYPE POS EDGE TRIG | 80009 | 156-0331-03 |
| A51U2036 | 156-0914-02 | | MICROCIRCUIT,DI:OCT ST BFR W/3 STATE OUT | 01295 | SN74LS240 |
| A51U2055 | 156-0579-02 | | MICROCIRCUIT,DI:DUAL 4 BIT BIN COUNTER,SEL | 80009 | 156-0579-02 |
| A51U2065 | 156-1044-01 | | MICROCIRCUIT,DI:4 BIT SYNC BIN CNTR,SCRN | 07263 | F93S16DCQR |
| A51U2078 | 156-0799-01 | | MICROCIRCUIT,DI:DECADE CNTR/DIVIDER,SCRN | 04713 | MC14017BCLD |
| A51U2091 | 156-1172-01 | | MICROCIRCUIT,DI:DUAL 4 BIT CNTR,BURN IN | 01295 | SN74LS393 |
| A51U2105 | 156-0798-02 | | MICROCIRCUIT,DI:DUAL 14 TO 1 LINE SEL/MUX | 01295 | SN74LS153 |
| A51U4014 | 156-0413-02 | | MICROCIRCUIT,DI:QUAD 2-INP SCHMITT TRIG | 80009 | 156-0413-02 |
| A51U4025 | 156-0914-02 | | MICROCIRCUIT,DI:OCT ST BFR W/3 STATE OUT | 01295 | SN74LS240 |
| A51U4049 | 156-0914-02 | | MICROCIRCUIT,DI:OCT ST BFR W/3 STATE OUT | 01295 | SN74LS240 |
| A51U4062 | 156-1172-01 | | MICROCIRCUIT,DI:DUAL 4 BIT CNTR,BURN IN | 01295 | SN74LS393 |
| A51U4074 | 156-0729-01 | | MICROCIRCUIT,DI:3 STATE INVERTING HEX BFR | 27014 | DM80L98N |
| A51U4105 | 156-1172-01 | | MICROCIRCUIT,DI:DUAL 4 BIT CNTR,BURN IN | 01295 | SN74LS393 |
| A51U6015 | 156-0383-02 | | MICROCIRCUIT,DI:QUAD 2-INP NOR GATE | 01295 | SN74LS02 |
| A51U6028 | 156-1152-01 | | MICROCIRCUIT,DI:PRCN RETRIGGERABLE,BURN-IN | 80009 | 156-1152-01 |
| A51U6066 | 156-0366-02 | | MICROCIRCUIT,DI:DUAL D FLIP-FLOP,CHK | 80009 | 156-0366-02 |
| A51U6078 | 156-0645-02 | | MICROCIRCUIT,DI:HEX INV ST NAND GATES,SCRN | 01295 | SN74LS14 |
| A51U6105 | 156-0798-02 | | MICROCIRCUIT,DI:DUAL 14 TO 1 LINE SEL/MUX | 01295 | SN74LS153 |
| A51U7041 | 156-0914-02 | | MICROCIRCUIT,DI:OCT ST BFR W/3 STATE OUT | 01295 | SN74LS240 |
| A51U7055 | 156-0469-02 | | MICROCIRCUIT,DI:3/8 LINE DCDR | 01295 | SN74LS138NP3 |
| A51W5020 | 131-0566-00 | | BUS CONDUCTOR:DUMMY RES,2.375,22 AWG | 57668 | JWW-0200E0 |

| Component No. | Tektronix Part No. | Serial/Model No. | | Name & Description | Mfr Code | Mfr Part Number |
|---------------|--------------------|------------------|---------|---|----------|-----------------|
| | | Eff | Dscont | | | |
| A54 | 670-6957-00 | B010100 | B010519 | CKT BOARD ASSY:MEMORY | 80009 | 670-6957-00 |
| A54 | 670-6957-01 | B010520 | | CKT BOARD ASSY:MEMORY | 80009 | 670-6957-01 |
| A54 | 670-6958-00 | B010100 | B010519 | CKT BOARD ASSY:MEMORY | 80009 | 670-6958-00 |
| A54 | ----- | | | (496P ONLY) | | |
| A54 | 670-6958-01 | B010520 | | CKT BOARD ASSY:MEMORY | 80009 | 670-6958-01 |
| A54 | ----- | | | (496P ONLY) | | |
| A54C1011 | 283-0111-00 | | | CAP.,FXD,CER DI:0.1UF,20%,50V | 56289 | 273C11 |
| A54C1031 | 283-0111-00 | | | CAP.,FXD,CER DI:0.1UF,20%,50V | 56289 | 273C11 |
| A54C1038 | 283-0111-00 | | | CAP.,FXD,CER DI:0.1UF,20%,50V | 56289 | 273C11 |
| A54C1039 | 283-0111-00 | | | CAP.,FXD,CER DI:0.1UF,20%,50V | 56289 | 273C11 |
| A54C2011 | 283-0111-00 | | | CAP.,FXD,CER DI:0.1UF,20%,50V | 56289 | 273C11 |
| A54C2029 | 283-0111-00 | | | CAP.,FXD,CER DI:0.1UF,20%,50V | 56289 | 273C11 |
| A54C2038 | 283-0111-00 | | | CAP.,FXD,CER DI:0.1UF,20%,50V | 56289 | 273C11 |
| A54R1037 | 307-0446-00 | | | RES,NTWK,FXD FI:10K OHM,20%,(9) RES | 91637 | MSP10A01-103M |
| A54S1033 | 260-1721-00 | | | SWITCH,ROCKER:8,SPST,125MA,30VDC | 00779 | 435166-5 |
| A54U1012 | 160-0886-04 | B010100 | B010519 | MICROCIRCUIT,DI:2048 X 8 EPROM,PRGM | 80009 | 160-0886-04 |
| A54U1012 | 160-0886-05 | B010529 | | MICROCIRCUIT,DI:2048 X 8 EPROM,PRGM | 80009 | 160-0886-05 |
| A54U1017 | 160-0890-01 | B010100 | B010519 | MICROCIRCUIT,DI:2048 X 8 EPROM,PRGM | 80009 | 160-0890-01 |
| A54U1017 | 160-0890-02 | B010520 | | MICROCIRCUIT,DI:2048 X 8 EPROM,PRGM | 80009 | 160-0890-02 |
| A54U1023 | 160-1079-01 | | | MICROCIRCUIT,DI:2048 X 8 EPROM,PRGM | 80009 | 160-1079-01 |
| A54U1023 | ----- | | | (496P ONLY) | | |
| A54U1028 | 160-0891-01 | | | MICROCIRCUIT,DI:2048 X 8 EPROM,PRGM | 80009 | 160-0891-01 |
| A54U1028 | ----- | | | (496P ONLY) | | |
| A54U1033 | 156-0956-02 | | | MICROCIRCUIT,DI:OCTAL BFR W/3 STATE OUT | 01295 | SN74LS244NP3 |
| A54U1036 | 156-0469-02 | | | MICROCIRCUIT,DI:3/8 LINE DC DR | 01295 | SN74LS138NP3 |
| A54U1038 | 156-0469-02 | | | MICROCIRCUIT,DI:3/8 LINE DC DR | 01295 | SN74LS138NP3 |
| A54U2023 | 160-0838-00 | | | MICROCIRCUIT,DI:8192 X 8 ROM,PRGM | 80009 | 160-0838-00 |
| A54U2028 | 160-0839-00 | | | MICROCIRCUIT,DI:8192 X 8 ROM,PRGM | 80009 | 160-0839-00 |
| A54U2032 | 156-1127-01 | | | MICROCIRCUIT,DI:1024 X 4 STATIC RAM | 80009 | 156-1127-01 |
| A54U2033 | 156-0382-02 | | | MICROCIRCUIT,DI:QUAD 2-INP NAND GATE | 01295 | SN74LS00 |
| A54U2035 | 156-1127-01 | | | MICROCIRCUIT,DI:1024 X 4 STATIC RAM | 80009 | 156-1127-01 |

Replaceable Electrical Parts—496/496P Service Vol.2

| Component No. | Tektronix Part No. | Serial/Model No. Eff | Dscont | Name & Description | Mfr Code | Mfr Part Number |
|---------------|--------------------|----------------------|---------|--|----------|------------------|
| A56 | 670-5543-01 | | | CKT BOARD ASSY: GPIB | 80009 | 670-5543-01 |
| A56 | ----- | | | (496P ONLY) | | |
| A56C1011 | 283-0111-00 | | | CAP.,FXD,CER DI:0.1UF,20%,50V | 56289 | 273C11 |
| A56C1021 | 283-0111-00 | | | CAP.,FXD,CER DI:0.1UF,20%,50V | 56289 | 273C11 |
| A56C1028 | 283-0111-00 | | | CAP.,FXD,CER DI:0.1UF,20%,50V | 56289 | 273C11 |
| A56C2038 | 283-0111-00 | | | CAP.,FXD,CER DI:0.1UF,20%,50V | 56289 | 273C11 |
| A56C2039 | 283-0111-00 | | | CAP.,FXD,CER DI:0.1UF,20%,50V | 56289 | 273C11 |
| A56C2041 | 283-0111-00 | | | CAP.,FXD,CER DI:0.1UF,20%,50V | 56289 | 273C11 |
| A56C2042 | 283-0111-00 | | | CAP.,FXD,CER DI:0.1UF,20%,50V | 56289 | 273C11 |
| A56C2045 | 283-0111-00 | | | CAP.,FXD,CER DI:0.1UF,20%,50V | 56289 | 273C11 |
| A56C2047 | 283-0111-00 | | | CAP.,FXD,CER DI:0.1UF,20%,50V | 56289 | 273C11 |
| A56C2051 | 283-0111-00 | | | CAP.,FXD,CER DI:0.1UF,20%,50V | 56289 | 273C11 |
| A56C3012 | 283-0111-00 | | | CAP.,FXD,CER DI:0.1UF,20%,50V | 56289 | 273C11 |
| A56C3019 | 283-0111-00 | | | CAP.,FXD,CER DI:0.1UF,20%,50V | 56289 | 273C11 |
| A56C3025 | 283-0111-00 | | | CAP.,FXD,CER DI:0.1UF,20%,50V | 56289 | 273C11 |
| A56C3030 | 283-0111-00 | | | CAP.,FXD,CER DI:0.1UF,20%,50V | 56289 | 273C11 |
| A56C3031 | 283-0111-00 | | | CAP.,FXD,CER DI:0.1UF,20%,50V | 56289 | 273C11 |
| A56C3040 | 283-0111-00 | | | CAP.,FXD,CER DI:0.1UF,20%,50V | 56289 | 273C11 |
| A56C3042 | 283-0111-00 | | | CAP.,FXD,CER DI:0.1UF,20%,50V | 56289 | 273C11 |
| A56C3044 | 283-0111-00 | | | CAP.,FXD,CER DI:0.1UF,20%,50V | 56289 | 273C11 |
| A56C3046 | 283-0111-00 | | | CAP.,FXD,CER DI:0.1UF,20%,50V | 56289 | 273C11 |
| A56C3048 | 283-0111-00 | | | CAP.,FXD,CER DI:0.1UF,20%,50V | 56289 | 273C11 |
| A56C3049 | 290-0535-00 | | | CAP.,FXD,ELCTLT:33UF,20%,10V | 56289 | 196D336X0010KA1 |
| A56L3053 | 108-0598-00 | | | COIL,RF:200UH | 80009 | 108-0598-00 |
| A56R2041 | 315-0431-00 | | | RES.,FXD,CMPSN:430 OHM,5%,0.25W | 01121 | CB4315 |
| A56R2042 | 315-0431-00 | | | RES.,FXD,CMPSN:430 OHM,5%,0.25W | 01121 | CB4315 |
| A56R2043 | 315-0431-00 | | | RES.,FXD,CMPSN:430 OHM,5%,0.25W | 01121 | CB4315 |
| A56R2044 | 315-0431-00 | | | RES.,FXD,CMPSN:430 OHM,5%,0.25W | 01121 | CB4315 |
| A56R3041 | 315-0431-00 | | | RES.,FXD,CMPSN:430 OHM,5%,0.25W | 01121 | CB4315 |
| A56R3042 | 315-0431-00 | | | RES.,FXD,CMPSN:430 OHM,5%,0.25W | 01121 | CB4315 |
| A56R3043 | 315-0431-00 | | | RES.,FXD,CMPSN:430 OHM,5%,0.25W | 01121 | CB4315 |
| A56R3044 | 315-0431-00 | | | RES.,FXD,CMPSN:430 OHM,5%,0.25W | 01121 | CB4315 |
| A56R3049 | 307-0446-00 | | | RES,NTWK,FXD FI:10K OHM,20%(9) RES | 91637 | MSP10A01-103M |
| A56U1011 | 156-0382-02 | | | MICROCIRCUIT,DI:QUAD 2-INP NAND GATE | 01295 | SN74LS00 |
| A56U1021 | 156-0469-02 | | | MICROCIRCUIT,DI:3/8 LINE DCDR | 01295 | SN74LS138NP3 |
| A56U1028 | 156-0541-02 | | | MICROCIRCUIT,DI:DUAL 2 TO 4 LINE DCDR | 01295 | SN74LS139NP3 |
| A56U1032 | 156-1127-01 | | | MICROCIRCUIT,DI:1024 X 4 STATIC RAM | 80009 | 156-1127-01 |
| A56U1037 | 156-1127-01 | | | MICROCIRCUIT,DI:1024 X 4 STATIC RAM | 80009 | 156-1127-01 |
| A56U1042 | 156-1127-01 | | | MICROCIRCUIT,DI:1024 X 4 STATIC RAM | 80009 | 156-1127-01 |
| A56U1046 | 156-1127-01 | | | MICROCIRCUIT,DI:1024 X 4 STATIC RAM | 80009 | 156-1127-01 |
| A56U2012 | 160-0952-01 | | | MICROCIRCUIT,DI:2048 X 8 EPROM,PRGM | 80009 | 160-0952-01 |
| A56U2019 | 160-0948-01 | | | MICROCIRCUIT,DI:2048 X 8 EPROM,PRGM | 80009 | 160-0948-01 |
| A56U2025 | 160-0951-01 | | | MICROCIRCUIT,DI:2048 X 8 EPROM,PRGM | 80009 | 160-0951-00 |
| A56U2031 | 160-0949-01 | | | MICROCIRCUIT,DI:2048 X 8 EPROM,PRGM | 80009 | 160-0949-01 |
| A56U2047 | 156-1444-00 | B010100 | B010271 | MICROCIRCUIT,DI:GPIB ADAPTER | 01295 | TMS9914 (N OR J) |
| A56U2047 | 156-1444-01 | B010272 | | MICROCIRCUIT,DI:NMOS,GPIB ADAPTER | 01295 | TMS9914NL |
| A56U3012 | 160-0950-02 | | | MICROCIRCUIT,DI:2048 X 8 EPROM,PRGM | 80009 | 160-0950-02 |
| A56U3019 | 160-0969-01 | | | MICROCIRCUIT,DI:2048 X 8 EPROM,PRGM | 80009 | 160-0969-01 |
| A56U3025 | 160-0947-02 | | | MICROCIRCUIT,DI:2048 X 8 EPROM,PRGM | 80009 | 160-0947-02 |
| A56U3031 | 160-0953-01 | | | MICROCIRCUIT,DI:2048 X 8 EPROM,PRGM | 80009 | 160-0953-01 |
| A56U3039 | 156-0914-02 | | | MICROCIRCUIT,DI:OCT ST BFR W/3 STATE OUT | 01295 | SN74LS240 |
| A56A1 | 670-7060-00 | | | CKT BOARD ASSY: GPIB EXTENDER | 80009 | 670-7060-00 |
| A56A1 | ----- | | | (496P ONLY, NO ELECTRICAL PARTS) | | |

| Component No. | Tektronix Part No. | Serial/Model No. Eff | Discont | Name & Description | Mfr Code | Mfr Part Number |
|---------------|--------------------|----------------------|---------|--|----------|------------------|
| A58 | 670-5542-00 | B010100 | B010109 | CKT BOARD ASSY:PROCESSOR | 80009 | 670-5542-00 |
| A58 | 670-5542-01 | B010110 | | CKT BOARD ASSY:PROCESSOR | 80009 | 670-5542-01 |
| A58C1013 | 283-0111-00 | | | CAP.,FXD,CER DI:0.1UF,20%,50V | 56289 | 273C11 |
| A58C1023 | 283-0111-00 | | | CAP.,FXD,CER DI:0.1UF,20%,50V | 56289 | 273C11 |
| A58C1024 | 283-0334-00 | | | CAP.,FXD,CER DI:130PF,+1-2%,500V | 72982 | 8121N501C0G0131G |
| A58C1026 | 283-0334-00 | | | CAP.,FXD,CER DI:130PF,+1-2%,500V | 72982 | 8121N501C0G0131G |
| A58C1033 | 283-0111-00 | | | CAP.,FXD,CER DI:0.1UF,20%,50V | 56289 | 273C11 |
| A58C2042 | 283-0111-00 | | | CAP.,FXD,CER DI:0.1UF,20%,50V | 56289 | 273C11 |
| A58C2046 | 283-0111-00 | | | CAP.,FXD,CER DI:0.1UF,20%,50V | 56289 | 273C11 |
| A58C3015 | 283-0111-00 | | | CAP.,FXD,CER DI:0.1UF,20%,50V | 56289 | 273C11 |
| A58C3032 | 283-0111-00 | | | CAP.,FXD,CER DI:0.1UF,20%,50V | 56289 | 273C11 |
| A58C3042 | 290-0512-00 | | | CAP.,FXD,ELCTLT:22UF,20%,15V | 56289 | 196D226X0015KA1 |
| A58C4034 | 283-0111-00 | | | CAP.,FXD,CER DI:0.1UF,20%,50V | 56289 | 273C11 |
| A58C4038 | 283-0641-00 | B010100 | B010109 | CAP.,FXD,MICA D:180PF,1%,100V | 00853 | D151E181F0 |
| A58C4038 | 283-0625-00 | B010110 | | CAP.,FXD,MICA D:220PF,1%,500V | 00853 | D105F221F0 |
| A58CR2024 | 152-0322-00 | | | SEMICONV DEVICE:SILICON,15V,HOT CARRIER | 50434 | 5082-2672 |
| A58CR2025 | 152-0322-00 | | | SEMICONV DEVICE:SILICON,15V,HOT CARRIER | 50434 | 5082-2672 |
| A58DS1032 | 150-1068-00 | | | LT EMITTING DIO:RED | 50434 | HLMP-6320 |
| A58DS1034 | 150-1068-00 | | | LT EMITTING DIO:RED | 50434 | HLMP-6320 |
| A58DS1036 | 150-1068-00 | | | LT EMITTING DIO:RED | 50434 | HLMP-6320 |
| A58DS1038 | 150-1068-00 | | | LT EMITTING DIO:RED | 50434 | HLMP-6320 |
| A58DS1042 | 150-1068-00 | | | LT EMITTING DIO:RED | 50434 | HLMP-6320 |
| A58DS1044 | 150-1068-00 | | | LT EMITTING DIO:RED | 50434 | HLMP-6320 |
| A58L3046 | 108-0598-00 | | | COIL,RF:200UH | 80009 | 108-0598-00 |
| A58L4044 | 108-0249-00 | | | COIL,RF:12UH | 76493 | B-4992 |
| A58R1020 | 307-0446-00 | | | RES,NTWK,FXD FI:10K OHM,20%,(9) RES | 91637 | MSP10A01-103M |
| A58R1021 | 315-0102-00 | | | RES.,FXD,CMPSN:1K OHM,5%,0.25W | 01121 | CB1025 |
| A58R1022 | 315-0102-00 | | | RES.,FXD,CMPSN:1K OHM,5%,0.25W | 01121 | CB1025 |
| A58R1023 | 321-0277-00 | | | RES.,FXD,FILM:7.5K OHM,1%,0.125W | 91637 | MFF1816G75000F |
| A58R1024 | 321-0277-00 | | | RES.,FXD,FILM:7.5K OHM,1%,0.125W | 91637 | MFF1816G75000F |
| A58R1026 | 315-0103-00 | | | RES.,FXD,CMPSN:10K OHM,5%,0.25W | 01121 | CB1035 |
| A58R1027 | 315-0103-00 | | | RES.,FXD,CMPSN:10K OHM,5%,0.25W | 01121 | CB1035 |
| A58R1034 | 315-0103-00 | | | RES.,FXD,CMPSN:10K OHM,5%,0.25W | 01121 | CB1035 |
| A58R1036 | 307-0594-00 | | | RES NTWK,FXD FI:7.220 OHM,2%,1.0W | 91637 | CSP08G01221G |
| A58R2027 | 315-0103-00 | | | RES.,FXD,CMPSN:10K OHM,5%,0.25W | 01121 | CB1035 |
| A58R3015 | 307-0446-00 | | | RES,NTWK,FXD FI:10K OHM,20%,(9) RES | 91637 | MSP10A01-103M |
| A58R3034 | 307-0103-00 | | | RES.,FXD,CMPSN:2.7 OHM,5%,0.25W | 01121 | CB27G5 |
| A58R3043 | 315-0102-00 | | | RES.,FXD,CMPSN:1K OHM,5%,0.25W | 01121 | CB1025 |
| A58R3046 | 307-0103-00 | | | RES.,FXD,CMPSN:2.7 OHM,5%,0.25W | 01121 | CB27G5 |
| A58R4042 | 315-0103-00 | | | RES.,FXD,CMPSN:10K OHM,5%,0.25W | 01121 | CB1035 |
| A58R4043 | 315-0202-00 | | | RES.,FXD,CMPSN:2K OHM,5%,0.25W | 01121 | CB2025 |
| A58U1013 | 156-1111-02 | | | MICROCIRCUIT,DI:OCTAL BUS TRANSCEIVERS | 01295 | SN74LS245JP3 |
| A58U1031 | 156-0724-02 | | | MICROCIRCUIT,DI:HEX INV W/OC OUT,BURN-IN | 01295 | SN74LS05 |
| A58U1037 | 156-0541-02 | | | MICROCIRCUIT,DI:DUAL 2 TO 4 LINE DCDR | 01295 | SN74LS139NP3 |
| A58U2014 | 156-0956-02 | | | MICROCIRCUIT,DI:OCTAL BFR W/3 STATE OUT | 01295 | SN74LS244NP3 |
| A58U2035 | 156-0956-02 | | | MICROCIRCUIT,DI:OCTAL BFR W/3 STATE OUT | 01295 | SN74LS244NP3 |
| A58U2044 | 156-0469-02 | | | MICROCIRCUIT,DI:3/8 LINE DCDR | 01295 | SN74LS138NP3 |
| A58U3016 | 156-1111-02 | | | MICROCIRCUIT,DI:OCTAL BUS TRANSCEIVERS | 01295 | SN74LS245JP3 |
| A58U3022 | 156-0427-03 | | | MICROCIRCUIT,DI:PERIPHERAL INTERFACE | 80009 | 156-0427-03 |
| A58U3027 | 156-0426-00 | | | MICROCIRCUIT,DI:MICROPROCESSOR | 04713 | MC6800S |
| A58U3036 | 156-0956-02 | | | MICROCIRCUIT,DI:OCTAL BFR W/3 STATE OUT | 01295 | SN74LS244NP3 |
| A58U3043 | 156-0956-02 | | | MICROCIRCUIT,DI:OCTAL BFR W/3 STATE OUT | 01295 | SN74LS244NP3 |
| A58U4035 | 156-1066-00 | | | MICROCIRCUIT,DI:2 PHASE CLOCK GEN/DRIVER | 04713 | MC6875P |
| A58W2032 | 131-0993-00 | | | BUS,CONDUCTOR:2 WIRE BLACK | 00779 | 850100-01 |
| A58Y3037 | 158-0088-00 | | | XTAL UNIT,QTZ:3.4133MHZ,0.01%,PARALLEL | 33096 | PB-1309 |

Replaceable Electrical Parts—496/496P Service Vol.2

| Component No. | Tektronix Part No. | Serial/Model No. Eff | Dscont | Name & Description | Mfr Code | Mfr Part Number |
|---------------|--------------------|----------------------|---------|---|----------|------------------|
| A60 | 670-5555-00 | B010100 | B010264 | CKT BOARD ASSY: DIGITAL STORAGE INTFC | 80009 | 670-5555-00 |
| A60 | 670-5555-01 | B010265 | | CKT BOARD ASSY: DIGITAL STORAGE INTFC | 80009 | 670-5555-01 |
| A60C1038 | 283-0346-00 | | | CAP.,FXD,CER DI:0.47UF,+80-20%,100V | 72982 | 8131-M100F474Z |
| A60C1045 | 283-0346-00 | | | CAP.,FXD,CER DI:0.47UF,+80-20%,100V | 72982 | 8131-M100F474Z |
| A60C2019 | 281-0814-00 | B010275 | | CAP.,FXD,CER DI:100PF,10%,100V | 04222 | GC70-1-A101K |
| A60C2043 | 283-0065-00 | | | CAP.,FXD,CER DI:0.001UF,5%,100V | 59660 | 0835-591Y5E0102J |
| A60C2045 | 283-0065-00 | | | CAP.,FXD,CER DI:0.001UF,5%,100V | 59660 | 0835-591Y5E0102J |
| A60C3032 | 290-0527-00 | | | CAP.,FXD,ELCTLT:15UF,20%,20V | 90201 | TDC156M020FL |
| A60C3036 | 290-0527-00 | | | CAP.,FXD,ELCTLT:15UF,20%,20V | 90201 | TDC156M020FL |
| A60C3038 | 290-0527-00 | | | CAP.,FXD,ELCTLT:15UF,20%,20V | 90201 | TDC156M020FL |
| A60C3048 | 290-0527-00 | | | CAP.,FXD,ELCTLT:15UF,20%,20V | 90201 | TDC156M020FL |
| A60L3032 | 108-0598-00 | | | COIL,RF:200UH | 80009 | 108-0598-00 |
| A60L3034 | 108-0598-00 | | | COIL,RF:200UH | 80009 | 108-0598-00 |
| A60L3036 | 108-0598-00 | | | COIL,RF:200UH | 80009 | 108-0598-00 |
| A60L3048 | 108-0598-00 | | | COIL,RF:200UH | 80009 | 108-0598-00 |
| A60R1034 | 321-0188-00 | | | RES.,FXD,FILM:887 OHM,1%,0.125W | 91637 | MFF1816G887R0F |
| A60R1035 | 321-0188-00 | | | RES.,FXD,FILM:887 OHM,1%,0.125W | 91637 | MFF1816G887R0F |
| A60R1036 | 321-0277-00 | | | RES.,FXD,FILM:7.5K OHM,1%,0.125W | 91637 | MFF1816G75000F |
| A60R1037 | 321-0199-00 | | | RES.,FXD,FILM:1.15K OHM,1%,0.125W | 91637 | MFF1816G11500F |
| A60R1038 | 321-0402-00 | | | RES.,FXD,FILM:150K OHM,1%,0.125W | 24546 | NA55D1503F |
| A60R1039 | 315-0102-00 | | | RES.,FXD,CMPSN:1K OHM,5%,0.25W | 01121 | CB1025 |
| A60R1040 | 311-1921-00 | | | RES.,VAR, NONWIR:250 OHM,10%,0.50W | 73138 | 72-191-0 |
| A60R1044 | 315-0152-00 | | | RES.,FXD,CMPSN:1.5K OHM,5%,0.25W | 01121 | CB1525 |
| A60R1045 | 311-1921-00 | | | RES.,VAR, NONWIR:250 OHM,10%,0.50W | 73138 | 72-191-0 |
| A60R2019 | 317-0102-00 | B010275 | | RES.,FXD,CMPSN:1K OHM,5%,0.125W | 01121 | BB1025 |
| A60R2036 | 321-0385-00 | | | RES.,FXD,FILM:100K OHM,1%,0.125W | 91637 | MFF1816G10002F |
| A60R2041 | 321-0385-00 | | | RES.,FXD,FILM:100K OHM,1%,0.125W | 91637 | MFF1816G10002F |
| A60R2042 | 315-0102-00 | | | RES.,FXD,CMPSN:1K OHM,5%,0.25W | 01121 | CB1025 |
| A60R2043 | 321-0277-00 | | | RES.,FXD,FILM:7.5K OHM,1%,0.125W | 91637 | MFF1816G75000F |
| A60R2044 | 321-0232-00 | | | RES.,FXD,FILM:2.55K OHM,1%,0.125W | 91637 | MFF1816G25500F |
| A60R2045 | 315-0102-00 | | | RES.,FXD,CMPSN:1K OHM,5%,0.25W | 01121 | CB1025 |
| A60R2046 | 321-0277-00 | | | RES.,FXD,FILM:7.5K OHM,1%,0.125W | 91637 | MFF1816G75000F |
| A60R2047 | 321-0232-00 | | | RES.,FXD,FILM:2.55K OHM,1%,0.125W | 91637 | MFF1816G25500F |
| A60R2048 | 315-0103-00 | | | RES.,FXD,CMPSN:10K OHM,5%,0.25W | 01121 | CB1035 |
| A60R3012 | 307-0446-00 | | | RES,NTWK,FXD FI:10K OHM,20%,(9) RES | 91637 | MSP10A01-103M |
| A60R3024 | 315-0152-00 | | | RES.,FXD,CMPSN:1.5K OHM,5%,0.25W | 01121 | CB1525 |
| A60R3026 | 307-0446-00 | | | RES,NTWK,FXD FI:10K OHM,20%,(9) RES | 91637 | MSP10A01-103M |
| A60R3041 | 311-1915-00 | | | RES.,VAR, NONWIR:20K OHM,10%,0.50W | 73138 | 72-196-0 |
| A60U1012 | 156-0480-02 | | | MICROCIRCUIT,DI:QUAD 2 INP & GATE | 01295 | SN74LS08NP3 |
| A60U1014 | 156-0388-03 | | | MICROCIRCUIT,DI:DUAL D FLIP-FLOP | 07263 | 74LS74A |
| A60U1016 | 156-0852-02 | | | MICROCIRCUIT,DI:HEX DRVR W/3 STATE INP | 01295 | SN74LS367NP3 |
| A60U1018 | 156-0391-02 | | | MICROCIRCUIT,DI:HEX LATCH W/CLEAR | 01295 | SN74LS174 |
| A60U1022 | 156-0852-02 | | | MICROCIRCUIT,DI:HEX DRVR W/3 STATE INP | 01295 | SN74LS367NP3 |
| A60U1024 | 156-0391-02 | | | MICROCIRCUIT,DI:HEX LATCH W/CLEAR | 01295 | SN74LS174 |
| A60U1026 | 156-0987-00 | | | MICROCIRCUIT,DI:4096 X 1 STATIC R/W RAM | 80009 | 156-0987-00 |
| A60U1032 | 156-0465-02 | | | MICROCIRCUIT,DI:8 INP NAND GATE | 01295 | SN74LS30NP3 |
| A60U1034 | 156-1320-00 | | | MICROCIRCUIT,DI:8 INP OR NOR GATE | 80009 | 156-1320-00 |
| A60U2012 | 156-0844-02 | | | MICROCIRCUIT,DI:SYN 4 BIT CNTR,SCRN | 01295 | SN74LS161A |
| A60U2014 | 156-0385-02 | | | MICROCIRCUIT,DI:HEX INVERTER | 01295 | SN74LS04 |
| A60U2016 | 156-0844-02 | | | MICROCIRCUIT,DI:SYN 4 BIT CNTR,SCRN | 01295 | SN74LS161A |
| A60U2018 | 156-0480-02 | | | MICROCIRCUIT,DI:QUAD 2 INP & GATE | 01295 | SN74LS08NP3 |
| A60U2022 | 156-0844-02 | | | MICROCIRCUIT,DI:SYN 4 BIT CNTR,SCRN | 01295 | SN74LS161A |
| A60U2024 | 156-0844-02 | | | MICROCIRCUIT,DI:SYN 4 BIT CNTR,SCRN | 01295 | SN74LS161A |
| A60U2026 | 156-0987-00 | | | MICROCIRCUIT,DI:4096 X 1 STATIC R/W RAM | 80009 | 156-0987-00 |
| A60U2032 | 155-0158-00 | | | MICROCIRCUIT,DI: DIGITAL STORAGE HORIZONTAL | 80009 | 155-0158-00 |

| Component No. | Tektronix Part No. | Serial/Model No. Eff | Dscont | Name & Description | Mfr Code | Mfr Part Number |
|---------------|--------------------|----------------------|--------|--|----------|-----------------|
| A60U2034 | 156-0927-02 | | | MICROCIRCUIT,LI:DIGITAL/ANALOG CONVERTER | 04713 | MC3410CLD |
| A60U2036 | 156-0927-02 | | | MICROCIRCUIT,LI:DIGITAL/ANALOG CONVERTER | 04713 | MC3410CLD |
| A60U2038 | 156-1226-00 | | | MICROCIRCUIT,LI:DUAL COMPARATOR,14 DIP | 34335 | AM319D |
| A60U2042 | 156-1126-01 | | | MICROCIRCUIT,LI:VOLTAGE COMPARATOR,SEL | 01295 | LM311JG4 |
| A60U2044 | 156-1272-00 | | | MICROCIRCUIT,LI:DUAL OPERATIONAL AMPLIFIER | 18324 | NE5532 FE-IIB |

Replaceable Electrical Parts—496/496P Service Vol.2

| Component No. | Tektronix Part No. | Serial/Model No. Eff Dscnt | Name & Description | Mfr Code | Mfr Part Number |
|---------------|--------------------|----------------------------|--|----------|-----------------|
| A61 | 670-5554-00 | B010100 B010960 | CKT BOARD ASSY: DIGITAL STORAGE | 80009 | 670-5554-00 |
| A61 | 670-5554-02 | B010361 | CKT BOARD ASSY: DIGITAL STORAGE | 80009 | 670-5554-02 |
| A61C1031 | 285-1062-00 | | CAP., FXD, PLSTC: 0.005UF, 0.1%, 200V | 19396 | 502F02PP460 |
| A61C1032 | 283-0204-00 | | CAP., FXD, CER DI: 0.01UF, 20%, 50V | 96733 | R2676 |
| A61C1037 | 283-0622-00 | | CAP., FXD, MICA D: 450PF, 1%, 300V | 00853 | D155F451F0 |
| A61C1038 | 283-0622-00 | | CAP., FXD, MICA D: 450PF, 1%, 300V | 00853 | D155F451F0 |
| A61C2031 | 283-0346-00 | | CAP., FXD, CER DI: 0.47UF, +80-20%, 100V | 72982 | 8131-M100F474Z |
| A61C2032 | 290-0527-00 | | CAP., FXD, ELCTLT: 15UF, 20%, 20V | 90201 | TDC156M020FL |
| A61C2033 | 283-0204-00 | | CAP., FXD, CER DI: 0.01UF, 20%, 50V | 96733 | R2676 |
| A61C2034 | 290-0527-00 | | CAP., FXD, ELCTLT: 15UF, 20%, 20V | 90201 | TDC156M020FL |
| A61C2035 | 290-0527-00 | | CAP., FXD, ELCTLT: 15UF, 20%, 20V | 90201 | TDC156M020FL |
| A61C2036 | 290-0527-00 | | CAP., FXD, ELCTLT: 15UF, 20%, 20V | 90201 | TDC156M020FL |
| A61C2037 | 283-0346-00 | | CAP., FXD, CER DI: 0.47UF, +80-20%, 100V | 72982 | 8131-M100F474Z |
| A61L2032 | 108-0598-00 | | COIL, RF: 200UH | 80009 | 108-0598-00 |
| A61L2033 | 108-0598-00 | | COIL, RF: 200UH | 80009 | 108-0598-00 |
| A61L2034 | 108-0598-00 | | COIL, RF: 200UH | 80009 | 108-0598-00 |
| A61L2035 | 108-0598-00 | | COIL, RF: 200UH | 80009 | 108-0598-00 |
| A61Q2035 | 151-0302-00 | | TRANSISTOR: SILICON, NPN | 07263 | S038487 |
| A61R1011 | 315-0102-00 | | RES., FXD, CMPSN: 1K OHM, 5%, 0.25W | 01121 | CB1025 |
| A61R1015 | 307-0446-00 | | RES., NTWK, FXD FI: 10K OHM, 20%, (9) RES | 91637 | MSP10A01-103M |
| A61R1024 | 311-1236-00 | | RES., VAR, NONWIR: 250 OHM, 10%, 0.50W | 73138 | 72-22-0 |
| A61R1026 | 321-0395-00 | | RES., FXD, FILM: 127K OHM, 1%, 0.125W | 91637 | MFF1816G12702F |
| A61R1029 | 315-0105-00 | | RES., FXD, CMPSN: 1M OHM, 5%, 0.25W | 01121 | CB1055 |
| A61R1030 | 311-1198-00 | | RES., VAR, NONWIR: 20K OHM, 20%, 0.5W | 73138 | 72-29-0 |
| A61R1031 | 321-0188-00 | | RES., FXD, FILM: 887 OHM, 1%, 0.125W | 91637 | MFF1816G887R0F |
| A61R1032 | 321-0218-00 | | RES., FXD, FILM: 1.82K OHM, 1%, 0.125W | 91637 | MFF1816G18200F |
| A61R1033 | 321-0360-00 | | RES., FXD, FILM: 54.9K OHM, 1%, 0.125W | 91637 | MFF1816G54901F |
| A61R1034 | 311-1236-00 | | RES., VAR, NONWIR: 250 OHM, 10%, 0.50W | 73138 | 72-22-0 |
| A61R1035 | 321-0267-00 | | RES., FXD, FILM: 5.9K OHM, 1%, 0.125W | 91637 | MFF1816G59000F |
| A61R1036 | 311-1198-00 | | RES., VAR, NONWIR: 20K OHM, 20%, 0.5W | 73138 | 72-29-0 |
| A61R1037 | 315-0102-00 | | RES., FXD, CMPSN: 1K OHM, 5%, 0.25W | 01121 | CB1025 |
| A61R1038 | 315-0102-00 | | RES., FXD, CMPSN: 1K OHM, 5%, 0.25W | 01121 | CB1025 |
| A61R1039 | 321-0395-00 | | RES., FXD, FILM: 127K OHM, 1%, 0.125W | 91637 | MFF1816G12702F |
| A61R2016 | 307-0446-00 | | RES., NTWK, FXD FI: 10K OHM, 20%, (9) RES | 91637 | MSP10A01-103M |
| A61R2025 | 317-0153-00 | | RES., FXD, CMPSN: 15K OHM, 5%, 0.125W | 01121 | BB1535 |
| A61R2031 | 321-0188-00 | | RES., FXD, FILM: 887 OHM, 1%, 0.125W | 91637 | MFF1816G887R0F |
| A61R2032 | 321-0201-00 | | RES., FXD, FILM: 1.21K OHM, 1%, 0.125W | 91637 | MFF1816G12100F |
| A61R2033 | 321-0364-00 | | RES., FXD, FILM: 60.4K OHM, 1%, 0.125W | 91637 | MFF1816G60401F |
| A61R2034 | 321-0222-00 | | RES., FXD, FILM: 2K OHM, 1%, 0.125W | 91637 | MFF1816G20000F |
| A61R2035 | 315-0103-00 | | RES., FXD, CMPSN: 10K OHM, 5%, 0.25W | 01121 | CB1035 |
| A61R2036 | 321-0402-00 | | RES., FXD, FILM: 150K OHM, 1%, 0.125W | 24546 | NA55D1503F |
| A61R2037 | 321-0327-00 | | RES., FXD, FILM: 24.9K OHM, 1%, 0.125W | 91637 | MFF1816G24901F |
| A61R2038 | 315-0103-00 | | RES., FXD, CMPSN: 10K OHM, 5%, 0.25W | 01121 | CB1035 |
| A61R2039 | 321-0385-00 | | RES., FXD, FILM: 100K OHM, 1%, 0.125W | 91637 | MFF1816G10002F |
| A61S1014 | 260-1721-00 | | SWITCH, ROCKER: 8, SPST, 125MA, 30VDC | 00779 | 435166-5 |
| A61U1011 | 156-0388-03 | | MICROCIRCUIT, DI: DUAL D FLIP-FLOP | 07263 | 74LS74A |
| A61U1012 | 156-0382-02 | | MICROCIRCUIT, DI: QUAD 2-INP NAND GATE | 01295 | SN74LS00 |
| A61U1013 | 156-0383-02 | | MICROCIRCUIT, DI: QUAD 2-INP NOR GATE | 01295 | SN74LS02 |
| A61U1015 | 156-0994-02 | | MICROCIRCUIT, DI: 8 INPUT DATA SEL/MUX | 01295 | SN74LS151NP3 |
| A61U1016 | 156-0392-03 | | MICROCIRCUIT, DI: QUAD LATCH W/CLEAR | 01295 | SN74S175NP3 |
| A61U1017 | 156-0388-03 | B010361 | MICROCIRCUIT, DI: DUAL D FLIP-FLOP | 07263 | 74LS74A |
| A61U1021 | 156-0865-02 | | MICROCIRCUIT, DI: OCTAL D-TYPE FF W/CLEAR | 01295 | SN74LS273NP3 |
| A61U1022 | 156-0865-02 | | MICROCIRCUIT, DI: OCTAL D-TYPE FF W/CLEAR | 01295 | SN74LS273NP3 |
| A61U1023 | 155-0157-00 | | MICROCIRCUIT, DI: DIGITAL STORAGE VERTICAL | 80009 | 155-0157-00 |
| A61U1024 | 156-1255-00 | | MICROCIRCUIT, LI: D/A CONVERTER | 04713 | DAC-08HQ |

| Component No. | Tektronix | Serial/Model No. | | Name & Description | Mfr | Mfr Part Number |
|---------------|-------------|------------------|--------|---|-------|-----------------|
| | Part No. | Eff | Dscont | | Code | |
| A61U1025 | 156-0382-02 | | | MICROCIRCUIT,DI:QUAD 2-INP NAND GATE | 01295 | SN74LS00 |
| A61U1031 | 156-1226-00 | | | MICROCIRCUIT,LI:DUAL COMPARATOR,14 DIP | 34335 | AM319D |
| A61U1032 | 156-0742-02 | | | MICROCIRCUIT,LI:OPERATIONAL AMPLIFIER,SEL | 01295 | LM318JG |
| A61U1033 | 156-1211-00 | | | MICROCKT,INTFC:QUAD SPST SWITCH,2NC,2NO | 80009 | 156-1211-00 |
| A61U1034 | 156-0742-02 | | | MICROCIRCUIT,LI:OPERATIONAL AMPLIFIER,SEL | 01295 | LM318JG |
| A61U2011 | 156-0480-02 | | | MICROCIRCUIT,DI:QUAD 2 INP & GATE | 01295 | SN74LS08NP3 |
| A61U2012 | 156-0718-03 | | | MICROCIRCUIT,DI:TRIPLE 3-INP NOR GATE | 01295 | SN74LS27 |
| A61U2013 | 156-0385-02 | | | MICROCIRCUIT,DI:HEX INVERTER | 01295 | SN74LS04 |
| A61U2014 | 156-0388-03 | | | MICROCIRCUIT,DI:DUAL D FLIP-FLOP | 07263 | 74LS74A |
| A61U2015 | 156-0382-02 | | | MICROCIRCUIT,DI:QUAD 2-INP NAND GATE | 01295 | SN74LS00 |
| A61U2016 | 156-0994-02 | | | MICROCIRCUIT,DI:8 INPUT DATA SEL/MUX | 01295 | SN74LS151NP3 |
| A61U2021 | 156-0975-02 | | | MICROCIRCUIT,DI:UNIV SHIFT/STORAGE RGTR | 01295 | SN74LS299N3/J4 |
| A61U2022 | 156-0469-02 | | | MICROCIRCUIT,DI:3/8 LINE DCDR | 01295 | SN74LS138NP3 |
| A61U2023 | 156-0385-02 | | | MICROCIRCUIT,DI:HEX INVERTER | 01295 | SN74LS04 |
| A61U2024 | 156-1255-00 | | | MICROCIRCUIT,LI:D/A CONVERTER | 04713 | DAC-08HQ |
| A61U2032 | 156-0742-02 | | | MICROCIRCUIT,LI:OPERATIONAL AMPLIFIER,SEL | 01295 | LM318JG |
| A61U2033 | 156-0742-02 | | | MICROCIRCUIT,LI:OPERATIONAL AMPLIFIER,SEL | 01295 | LM318JG |
| A61U2034 | 156-0067-12 | | | MICROCIRCUIT,LI:OPERATIONAL AMPLIFIER | 01295 | UA741CJG |

Replaceable Electrical Parts—496/496P Service Vol.2

| Component No. | Tektronix Part No. | Serial/Model No. Eff Dscnt | Name & Description | Mfr Code | Mfr Part Number |
|---------------|--------------------|----------------------------|---------------------------------|----------|------------------|
| A62 | 670-5548-01 | | CKT BOARD ASSY:LOG AMP. | 80009 | 670-5548-01 |
| A62C1018 | 283-0191-00 | | CAP.,FXD,CER DI:0.022UF,20%,50V | 72982 | 8121N075Z5U0223M |
| A62C1019 | 283-0191-00 | | CAP.,FXD,CER DI:0.022UF,20%,50V | 72982 | 8121N075Z5U0223M |
| A62C1031 | 283-0191-00 | | CAP.,FXD,CER DI:0.022UF,20%,50V | 72982 | 8121N075Z5U0223M |
| A62C1033 | 283-0191-00 | | CAP.,FXD,CER DI:0.022UF,20%,50V | 72982 | 8121N075Z5U0223M |
| A62C1041 | 283-0191-00 | | CAP.,FXD,CER DI:0.022UF,20%,50V | 72982 | 8121N075Z5U0223M |
| A62C1043 | 283-0191-00 | | CAP.,FXD,CER DI:0.022UF,20%,50V | 72982 | 8121N075Z5U0223M |
| A62C1051 | 283-0111-00 | | CAP.,FXD,CER DI:0.1UF,20%,50V | 56289 | 273C11 |
| A62C1061 | 283-0191-00 | | CAP.,FXD,CER DI:0.022UF,20%,50V | 72982 | 8121N075Z5U0223M |
| A62C1062 | 283-0191-00 | | CAP.,FXD,CER DI:0.022UF,20%,50V | 72982 | 8121N075Z5U0223M |
| A62C1063 | 283-0191-00 | | CAP.,FXD,CER DI:0.022UF,20%,50V | 72982 | 8121N075Z5U0223M |
| A62C1069 | 283-0111-00 | | CAP.,FXD,CER DI:0.1UF,20%,50V | 56289 | 273C11 |
| A62C1071 | 283-0191-00 | | CAP.,FXD,CER DI:0.022UF,20%,50V | 72982 | 8121N075Z5U0223M |
| A62C1072 | 283-0191-00 | | CAP.,FXD,CER DI:0.022UF,20%,50V | 72982 | 8121N075Z5U0223M |
| A62C1073 | 283-0191-00 | | CAP.,FXD,CER DI:0.022UF,20%,50V | 72982 | 8121N075Z5U0223M |
| A62C1086 | 283-0191-00 | | CAP.,FXD,CER DI:0.022UF,20%,50V | 72982 | 8121N075Z5U0223M |
| A62C1088 | 283-0191-00 | | CAP.,FXD,CER DI:0.022UF,20%,50V | 72982 | 8121N075Z5U0223M |
| A62C1089 | 283-0191-00 | | CAP.,FXD,CER DI:0.022UF,20%,50V | 72982 | 8121N075Z5U0223M |
| A62C1108 | 283-0191-00 | | CAP.,FXD,CER DI:0.022UF,20%,50V | 72982 | 8121N075Z5U0223M |
| A62C2031 | 283-0191-00 | | CAP.,FXD,CER DI:0.022UF,20%,50V | 72982 | 8121N075Z5U0223M |
| A62C2033 | 283-0191-00 | | CAP.,FXD,CER DI:0.022UF,20%,50V | 72982 | 8121N075Z5U0223M |
| A62C2043 | 283-0191-00 | | CAP.,FXD,CER DI:0.022UF,20%,50V | 72982 | 8121N075Z5U0223M |
| A62C2049 | 283-0191-00 | | CAP.,FXD,CER DI:0.022UF,20%,50V | 72982 | 8121N075Z5U0223M |
| A62C2052 | 283-0111-00 | | CAP.,FXD,CER DI:0.1UF,20%,50V | 56289 | 273C11 |
| A62C2054 | 283-0191-00 | | CAP.,FXD,CER DI:0.022UF,20%,50V | 72982 | 8121N075Z5U0223M |
| A62C2062 | 283-0111-00 | | CAP.,FXD,CER DI:0.1UF,20%,50V | 56289 | 273C11 |
| A62C2085 | 283-0191-00 | | CAP.,FXD,CER DI:0.022UF,20%,50V | 72982 | 8121N075Z5U0223M |
| A62C2098 | 283-0191-00 | | CAP.,FXD,CER DI:0.022UF,20%,50V | 72982 | 8121N075Z5U0223M |
| A62C2099 | 283-0191-00 | | CAP.,FXD,CER DI:0.022UF,20%,50V | 72982 | 8121N075Z5U0223M |
| A62C2105 | 283-0191-00 | | CAP.,FXD,CER DI:0.022UF,20%,50V | 72982 | 8121N075Z5U0223M |
| A62C3011 | 283-0111-00 | | CAP.,FXD,CER DI:0.1UF,20%,50V | 56289 | 273C11 |
| A62C3025 | 283-0191-00 | | CAP.,FXD,CER DI:0.022UF,20%,50V | 72982 | 8121N075Z5U0223M |
| A62C3035 | 283-0191-00 | | CAP.,FXD,CER DI:0.022UF,20%,50V | 72982 | 8121N075Z5U0223M |
| A62C3041 | 283-0111-00 | | CAP.,FXD,CER DI:0.1UF,20%,50V | 56289 | 273C11 |
| A62C3049 | 283-0111-00 | | CAP.,FXD,CER DI:0.1UF,20%,50V | 56289 | 273C11 |
| A62C3069 | 283-0191-00 | | CAP.,FXD,CER DI:0.022UF,20%,50V | 72982 | 8121N075Z5U0223M |
| A62C3071 | 283-0111-00 | | CAP.,FXD,CER DI:0.1UF,20%,50V | 56289 | 273C11 |
| A62C3082 | 283-0191-00 | | CAP.,FXD,CER DI:0.022UF,20%,50V | 72982 | 8121N075Z5U0223M |
| A62C3098 | 283-0191-00 | | CAP.,FXD,CER DI:0.022UF,20%,50V | 72982 | 8121N075Z5U0223M |
| A62C3099 | 283-0191-00 | | CAP.,FXD,CER DI:0.022UF,20%,50V | 72982 | 8121N075Z5U0223M |
| A62C3100 | 283-0191-00 | | CAP.,FXD,CER DI:0.022UF,20%,50V | 72982 | 8121N075Z5U0223M |
| A62C3102 | 283-0191-00 | | CAP.,FXD,CER DI:0.022UF,20%,50V | 72982 | 8121N075Z5U0223M |
| A62C3105 | 283-0191-00 | | CAP.,FXD,CER DI:0.022UF,20%,50V | 72982 | 8121N075Z5U0223M |
| A62C3111 | 283-0191-00 | | CAP.,FXD,CER DI:0.022UF,20%,50V | 72982 | 8121N075Z5U0223M |
| A62C4011 | 283-0191-00 | | CAP.,FXD,CER DI:0.022UF,20%,50V | 72982 | 8121N075Z5U0223M |
| A62C4016 | 283-0191-00 | | CAP.,FXD,CER DI:0.022UF,20%,50V | 72982 | 8121N075Z5U0223M |
| A62C4027 | 283-0201-00 | | CAP.,FXD,CER DI:27PF,10%,200V | 51642 | W150-200 X7R270K |
| A62C4029 | 283-0177-00 | | CAP.,FXD,CER DI:1UF,+80-20%,25V | 56289 | 2C20Z5U105Z025B |
| A62C4039 | 283-0191-00 | | CAP.,FXD,CER DI:0.022UF,20%,50V | 72982 | 8121N075Z5U0223M |
| A62C4041 | 283-0191-00 | | CAP.,FXD,CER DI:0.022UF,20%,50V | 72982 | 8121N075Z5U0223M |
| A62C4044 | 283-0191-00 | | CAP.,FXD,CER DI:0.022UF,20%,50V | 72982 | 8121N075Z5U0223M |
| A62C4045 | 283-0177-00 | | CAP.,FXD,CER DI:1UF,+80-20%,25V | 56289 | 2C20Z5U105Z025B |
| A62C4082 | 283-0140-00 | | CAP.,FXD,CER DI:4.7PF,5%,50V | 72982 | 8101E003A479C |
| A62C4108 | 290-0574-00 | | CAP.,FXD,ELCTLT:47UF,10%,20V | 90201 | TDC476K020CL |
| A62C5014 | 283-0191-00 | | CAP.,FXD,CER DI:0.022UF,20%,50V | 72982 | 8121N075Z5U0223M |

| Component No. | Tektronix Part No. | Serial/Model No. Eff Dscont | Name & Description | Mfr Code | Mfr Part Number |
|---------------|--------------------|-----------------------------|---|----------|------------------|
| A62C5024 | 283-0111-00 | | CAP.,FXD,CER DI:0.1UF,20%,50V | 56289 | 273C11 |
| A62C5029 | 283-0177-00 | | CAP.,FXD,CER DI:1UF,+80-20%,25V | 56289 | 2C20Z5U105Z025B |
| A62C5035 | 283-0000-00 | | CAP.,FXD,CER DI:0.001UF,+100-0%,500V | 59660 | 831610Y5U0102P |
| A62C5039 | 283-0000-00 | | CAP.,FXD,CER DI:0.001UF,+100-0%,500V | 59660 | 831610Y5U0102P |
| A62C5101 | 283-0157-00 | | CAP.,FXD,CER DI:7PF,5%,500V | 59660 | 8111B065COHO709D |
| A62C5102 | 283-0181-00 | | CAP.,FXD,CER DI:1.8PF,10%,100V | 59660 | 8101B121COKO189B |
| A62C6021 | 283-0648-00 | | CAP.,FXD,MICA D:10PF,5%,100V | 00853 | D151C100D0 |
| A62C6023 | 283-0204-00 | | CAP.,FXD,CER DI:0.01UF,20%,50V | 96733 | R2676 |
| A62C6033 | 290-0574-00 | | CAP.,FXD,ELCTL:47UF,10%,20V | 90201 | TDC476K020CL |
| A62C7011 | 283-0639-00 | | CAP.,FXD,MICA D:56PF,1%,100V | 00853 | D151E560F0 |
| A62C7014 | 283-0641-00 | | CAP.,FXD,MICA D:180PF,1%,100V | 00853 | D151E181F0 |
| A62C7021 | 283-0599-00 | | CAP.,FXD,MICA D:98PF,5%,500V | 00853 | D105F980J0 |
| A62C7024 | 283-0728-00 | | CAP.,FXD,MICA D:120PF,1%,500V | 00853 | D155F121F0 |
| A62C7032 | 290-0574-00 | | CAP.,FXD,ELCTL:47UF,10%,20V | 90201 | TDC476K020CL |
| A62C7033 | 290-0574-00 | | CAP.,FXD,ELCTL:47UF,10%,20V | 90201 | TDC476K020CL |
| A62C7073 | 283-0203-00 | | CAP.,FXD,CER DI:0.47UF,20%,50V | 72982 | 8131M058Z5U0474M |
| A62C7081 | 283-0160-00 | | CAP.,FXD,CER DI:1.5PF,10%,50V | 72982 | 8101A058C0K159B |
| A62C7102 | 283-0111-00 | | CAP.,FXD,CER DI:0.1UF,20%,50V | 56289 | 273C11 |
| A62C7103 | 283-0339-00 | | CAP.,FXD,CER DI:0.22UF,10%,50V | 72982 | 8131N075W5R224K |
| A62C7104 | 283-0114-00 | | CAP.,FXD,CER DI:0.0015UF,5%,200V | 59660 | 805534Y5DO152J |
| A62CR1061 | 152-0322-00 | | SEMICONV DEVICE:SILICON,15V,HOT CARRIER | 50434 | 5082-2672 |
| A62CR1062 | 152-0322-00 | | SEMICONV DEVICE:SILICON,15V,HOT CARRIER | 50434 | 5082-2672 |
| A62CR1076 | 152-0322-00 | | SEMICONV DEVICE:SILICON,15V,HOT CARRIER | 50434 | 5082-2672 |
| A62CR1077 | 152-0322-00 | | SEMICONV DEVICE:SILICON,15V,HOT CARRIER | 50434 | 5082-2672 |
| A62CR2014 | 152-0322-00 | | SEMICONV DEVICE:SILICON,15V,HOT CARRIER | 50434 | 5082-2672 |
| A62CR2015 | 152-0322-00 | | SEMICONV DEVICE:SILICON,15V,HOT CARRIER | 50434 | 5082-2672 |
| A62CR2031 | 152-0322-00 | | SEMICONV DEVICE:SILICON,15V,HOT CARRIER | 50434 | 5082-2672 |
| A62CR2032 | 152-0322-00 | | SEMICONV DEVICE:SILICON,15V,HOT CARRIER | 50434 | 5082-2672 |
| A62CR2044 | 152-0322-00 | | SEMICONV DEVICE:SILICON,15V,HOT CARRIER | 50434 | 5082-2672 |
| A62CR2045 | 152-0322-00 | | SEMICONV DEVICE:SILICON,15V,HOT CARRIER | 50434 | 5082-2672 |
| A62CR2065 | 152-0322-00 | | SEMICONV DEVICE:SILICON,15V,HOT CARRIER | 50434 | 5082-2672 |
| A62CR2066 | 152-0322-00 | | SEMICONV DEVICE:SILICON,15V,HOT CARRIER | 50434 | 5082-2672 |
| A62CR2075 | 152-0322-00 | | SEMICONV DEVICE:SILICON,15V,HOT CARRIER | 50434 | 5082-2672 |
| A62CR2076 | 152-0322-00 | | SEMICONV DEVICE:SILICON,15V,HOT CARRIER | 50434 | 5082-2672 |
| A62CR2087 | 152-0322-00 | | SEMICONV DEVICE:SILICON,15V,HOT CARRIER | 50434 | 5082-2672 |
| A62CR2088 | 152-0322-00 | | SEMICONV DEVICE:SILICON,15V,HOT CARRIER | 50434 | 5082-2672 |
| A62CR2089 | 152-0322-00 | | SEMICONV DEVICE:SILICON,15V,HOT CARRIER | 50434 | 5082-2672 |
| A62CR3089 | 152-0322-00 | | SEMICONV DEVICE:SILICON,15V,HOT CARRIER | 50434 | 5082-2672 |
| A62CR4012 | 152-0322-00 | | SEMICONV DEVICE:SILICON,15V,HOT CARRIER | 50434 | 5082-2672 |
| A62CR4015 | 152-0322-00 | | SEMICONV DEVICE:SILICON,15V,HOT CARRIER | 50434 | 5082-2672 |
| A62CR5027 | 152-0322-00 | | SEMICONV DEVICE:SILICON,15V,HOT CARRIER | 50434 | 5082-2672 |
| A62CR5033 | 152-0322-00 | | SEMICONV DEVICE:SILICON,15V,HOT CARRIER | 50434 | 5082-2672 |
| A62CR5081 | 152-0141-02 | | SEMICONV DEVICE:SILICON,30V,150MA | 01295 | 1N4152R |
| A62CR5101 | 152-0141-02 | | SEMICONV DEVICE:SILICON,30V,150MA | 01295 | 1N4152R |
| A62CR6104 | 152-0322-00 | | SEMICONV DEVICE:SILICON,15V,HOT CARRIER | 50434 | 5082-2672 |
| A62CR7095 | 152-0141-02 | | SEMICONV DEVICE:SILICON,30V,150MA | 01295 | 1N4152R |
| A62CR7101 | 152-0141-02 | | SEMICONV DEVICE:SILICON,30V,150MA | 01295 | 1N4152R |
| A62L1051 | 108-0395-00 | | COIL,RF:64UH | 80009 | 108-0395-00 |
| A62L2011 | 108-0395-00 | | COIL,RF:64UH | 80009 | 108-0395-00 |
| A62L2015 | 108-0443-00 | | COIL,RF:25UH | 80009 | 108-0443-00 |
| A62L2025 | 108-0443-00 | | COIL,RF:25UH | 80009 | 108-0443-00 |
| A62L2041 | 108-0443-00 | | COIL,RF:25UH | 80009 | 108-0443-00 |
| A62L2052 | 108-0395-00 | | COIL,RF:64UH | 80009 | 108-0395-00 |
| A62L2055 | 108-0443-00 | | COIL,RF:25UH | 80009 | 108-0443-00 |
| A62L2071 | 108-0443-00 | | COIL,RF:25UH | 80009 | 108-0443-00 |

Replaceable Electrical Parts—496/496P Service Vol.2

| Component No. | Tektronix Part No. | Serial/Model No. Eff Dscnt | Name & Description | Mfr Code | Mfr Part Number |
|---------------|--------------------|----------------------------|--|----------|-----------------|
| A62L2085 | 108-0443-00 | | COIL,RF:25UH | 80009 | 108-0443-00 |
| A62L3041 | 108-0395-00 | | COIL,RF:64UH | 80009 | 108-0395-00 |
| A62L3061 | 108-0395-00 | | COIL,RF:64UH | 80009 | 108-0395-00 |
| A62L6011 | 108-0702-00 | | COIL,RF:36UH | 80009 | 108-0702-00 |
| A62L8021 | 108-0443-00 | | COIL,RF:25UH | 80009 | 108-0443-00 |
| A62Q1025 | 151-0192-00 | | TRANSISTOR:SILICON,NPN,SEL FROM MPS652 | 04713 | SPS8801 |
| A62Q1035 | 151-0192-00 | | TRANSISTOR:SILICON,NPN,SEL FROM MPS652 | 04713 | SPS8801 |
| A62Q1050 | 151-0192-00 | | TRANSISTOR:SILICON,NPN,SEL FROM MPS652 | 04713 | SPS8801 |
| A62Q1070 | 151-0192-00 | | TRANSISTOR:SILICON,NPN,SEL FROM MPS652 | 04713 | SPS8801 |
| A62Q1080 | 151-0192-00 | | TRANSISTOR:SILICON,NPN,SEL FROM MPS652 | 04713 | SPS8801 |
| A62Q1095 | 151-0192-00 | | TRANSISTOR:SILICON,NPN,SEL FROM MPS652 | 04713 | SPS8801 |
| A62Q2105 | 151-0192-00 | | TRANSISTOR:SILICON,NPN,SEL FROM MPS652 | 04713 | SPS8801 |
| A62Q3015 | 151-0192-00 | | TRANSISTOR:SILICON,NPN,SEL FROM MPS652 | 04713 | SPS8801 |
| A62Q3030 | 151-0192-00 | | TRANSISTOR:SILICON,NPN,SEL FROM MPS652 | 04713 | SPS8801 |
| A62Q3045 | 151-0192-00 | | TRANSISTOR:SILICON,NPN,SEL FROM MPS652 | 04713 | SPS8801 |
| A62Q3055 | 151-0192-00 | | TRANSISTOR:SILICON,NPN,SEL FROM MPS652 | 04713 | SPS8801 |
| A62Q3075 | 151-0192-00 | | TRANSISTOR:SILICON,NPN,SEL FROM MPS652 | 04713 | SPS8801 |
| A62Q3090 | 151-0192-00 | | TRANSISTOR:SILICON,NPN,SEL FROM MPS652 | 04713 | SPS8801 |
| A62Q3100 | 151-0192-00 | | TRANSISTOR:SILICON,NPN,SEL FROM MPS652 | 04713 | SPS8801 |
| A62Q3105 | 151-0192-00 | | TRANSISTOR:SILICON,NPN,SEL FROM MPS652 | 04713 | SPS8801 |
| A62Q4025 | 151-0333-00 | | TRANSISTOR:SILICON,NPN,SEL FROM MPS918 | 04713 | SPS1752 |
| A62Q4030 | 151-0221-00 | | TRANSISTOR:SILICON,PNP | 04713 | SPS246 |
| A62Q4035 | 151-0221-00 | | TRANSISTOR:SILICON,PNP | 04713 | SPS246 |
| A62Q4070 | 151-1059-00 | | TRANSISTOR:SILICON,FE,N-CHANNEL | 80009 | 151-1059-00 |
| A62Q4075 | 151-1059-00 | | TRANSISTOR:SILICON,FE,N-CHANNEL | 80009 | 151-1059-00 |
| A62Q4100 | 151-0192-00 | | TRANSISTOR:SILICON,NPN,SEL FROM MPS652 | 04713 | SPS8801 |
| A62Q5057 | 151-1059-00 | | TRANSISTOR:SILICON,FE,N-CHANNEL | 80009 | 151-1059-00 |
| A62Q5070 | 151-1059-00 | | TRANSISTOR:SILICON,FE,N-CHANNEL | 80009 | 151-1059-00 |
| A62Q5090 | 151-1059-00 | | TRANSISTOR:SILICON,FE,N-CHANNEL | 80009 | 151-1059-00 |
| A62Q5095 | 151-1059-00 | | TRANSISTOR:SILICON,FE,N-CHANNEL | 80009 | 151-1059-00 |
| A62Q6010 | 151-0192-00 | | TRANSISTOR:SILICON,NPN,SEL FROM MPS652 | 04713 | SPS8801 |
| A62Q6090 | 151-0221-00 | | TRANSISTOR:SILICON,PNP | 04713 | SPS246 |
| A62Q6095 | 151-0221-00 | | TRANSISTOR:SILICON,PNP | 04713 | SPS246 |
| A62Q6110 | 151-0221-00 | | TRANSISTOR:SILICON,PNP | 04713 | SPS246 |
| A62Q6115 | 151-0221-00 | | TRANSISTOR:SILICON,PNP | 04713 | SPS246 |
| A62Q7110 | 151-1059-00 | | TRANSISTOR:SILICON,FE,N-CHANNEL | 80009 | 151-1059-00 |
| A62R1023 | 321-0258-00 | | RES.,FXD,FILM:4.75K OHM,1%,0.125W | 91637 | MFF1816G47500F |
| A62R1035 | 321-0111-00 | | RES.,FXD,FILM:140 OHM,1%,0.125W | 91637 | MFF1816G140R0F |
| A62R1045 | 321-0111-00 | | RES.,FXD,FILM:140 OHM,1%,0.125W | 91637 | MFF1816G140R0F |
| A62R1056 | 321-0091-00 | | RES.,FXD,FILM:86.6 OHM,1%,0.125W | 91637 | MFF1816G86R60F |
| A62R1076 | 321-0076-00 | | RES.,FXD,FILM:60.4 OHM,1%,0.125W | 91637 | MFF1816G60R40F |
| A62R1084 | 321-0323-00 | | RES.,FXD,FILM:22.6K OHM,1%,0.125W | 91637 | MFF1816G22601F |
| A62R1085 | 311-1277-00 | | RES.,VAR,NONWIR:100 OHM,10%,0.5W | 32997 | 3329W-L58-101 |
| A62R1086 | 321-0120-00 | | RES.,FXD,FILM:174 OHM,1%,0.125W | 91637 | MFF1816G174R0F |
| A62R1101 | 315-0470-00 | | RES.,FXD,CMPSN:47 OHM,5%,0.25W | 01121 | CB4705 |
| A62R1111 | 321-0068-00 | | RES.,FXD,FILM:49.9 OHM,1%,0.125W | 91637 | MFF1816G49R90F |
| A62R2013 | 321-0226-00 | | RES.,FXD,FILM:2.21K OHM,1%,0.125W | 91637 | MFF1816G22100F |
| A62R2065 | 321-0276-00 | | RES.,FXD,FILM:7.32K OHM,1%,0.125W | 91637 | MFF1816G73200F |
| A62R2066 | 321-0234-00 | | RES.,FXD,FILM:2.67K OHM,1%,0.125W | 91637 | MFF1816G26700F |
| A62R2076 | 321-0254-00 | | RES.,FXD,FILM:4.32K OHM,1%,0.125W | 91637 | MFF1816G43200F |
| A62R2078 | 321-0292-00 | | RES.,FXD,FILM:10.7K OHM,1%,0.125W | 91637 | MFF1816G10701F |
| A62R2100 | 321-0187-00 | | RES.,FXD,FILM:866 OHM,1%,0.125W | 91637 | MFF1816G866R0F |
| A62R2101 | 321-0271-00 | | RES.,FXD,FILM:6.49K OHM,1%,0.125W | 91637 | MFF1816G64900F |
| A62R2111 | 315-0680-00 | | RES.,FXD,CMPSN:68 OHM,5%,0.25W | 01121 | CB6805 |
| A62R3020 | 307-0610-00 | | RES NTWK,FXD FI:LOG AMP RES PACK | 80009 | 307-0610-00 |

| Component No. | Tektronix Part No. | Serial/Model No. Eff Dscont | Name & Description | Mfr Code | Mfr Part Number |
|---------------|--------------------|-----------------------------|-----------------------------------|----------|-----------------|
| A62R3023 | 321-0111-00 | | RES.,FXD,FILM:140 OHM,1%,0.125W | 91637 | MFF1816G140R0F |
| A62R3035 | 307-0610-00 | | RES NTWK,FXD FI:LOG AMP RES PACK | 80009 | 307-0610-00 |
| A62R3050 | 307-0610-00 | | RES NTWK,FXD FI:LOG AMP RES PACK | 80009 | 307-0610-00 |
| A62R3065 | 307-0610-00 | | RES NTWK,FXD FI:LOG AMP RES PACK | 80009 | 307-0610-00 |
| A62R3080 | 307-0610-00 | | RES NTWK,FXD FI:LOG AMP RES PACK | 80009 | 307-0610-00 |
| A62R3082 | 321-0292-00 | | RES.,FXD,FILM:10.7K OHM,1%,0.125W | 91637 | MFF1816G10701F |
| A62R3092 | 315-0302-00 | | RES.,FXD,CMPSN:3K OHM,5%,0.25W | 01121 | CB3025 |
| A62R3095 | 307-0610-00 | | RES NTWK,FXD FI:LOG AMP RES PACK | 80009 | 307-0610-00 |
| A62R3099 | 315-0471-00 | | RES.,FXD,CMPSN:470 OHM,5%,0.25W | 01121 | CB4715 |
| A62R3101 | 321-0187-00 | | RES.,FXD,FILM:866 OHM,1%,0.125W | 91637 | MFF1816G866R0F |
| A62R3102 | 321-0087-00 | | RES.,FXD,FILM:78.7 OHM,1%,0.125W | 91637 | MFF1816G78R70F |
| A62R3105 | 321-0110-00 | | RES.,FXD,FILM:137 OHM,1%,0.125W | 91637 | MFF1816G137R0F |
| A62R3109 | 315-0241-00 | | RES.,FXD,CMPSN:240 OHM,5%,0.25W | 01121 | CB2415 |
| A62R3110 | 315-0470-00 | | RES.,FXD,CMPSN:47 OHM,5%,0.25W | 01121 | CB4705 |
| A62R3111 | 315-0101-00 | | RES.,FXD,CMPSN:100 OHM,5%,0.25W | 01121 | CB1015 |
| A62R4010 | 307-0610-00 | | RES NTWK,FXD FI:LOG AMP RES PACK | 80009 | 307-0610-00 |
| A62R4015 | 321-0111-00 | | RES.,FXD,FILM:140 OHM,1%,0.125W | 91637 | MFF1816G140R0F |
| A62R4020 | 311-1279-00 | | RES.,VAR,NONWIR:500 OHM,10%,0.50W | 32997 | 3329W-L58-501 |
| A62R4025 | 315-0302-00 | | RES.,FXD,CMPSN:3K OHM,5%,0.25W | 01121 | CB3025 |
| A62R4026 | 315-0302-00 | | RES.,FXD,CMPSN:3K OHM,5%,0.25W | 01121 | CB3025 |
| A62R4027 | 315-0560-00 | | RES.,FXD,CMPSN:56 OHM,5%,0.25W | 01121 | CB5605 |
| A62R4031 | 315-0751-00 | | RES.,FXD,CMPSN:750 OHM,5%,0.25W | 01121 | CB7515 |
| A62R4032 | 315-0910-00 | | RES.,FXD,CMPSN:91 OHM,5%,0.25W | 01121 | CB9105 |
| A62R4034 | 315-0300-00 | | RES.,FXD,CMPSN:30 OHM,5%,0.25W | 01121 | CB3005 |
| A62R4036 | 315-0300-00 | | RES.,FXD,CMPSN:30 OHM,5%,0.25W | 01121 | CB3005 |
| A62R4038 | 321-0235-00 | | RES.,FXD,FILM:2.74K OHM,1%,0.125W | 91637 | MFF1816G27400F |
| A62R4039 | 321-0223-00 | | RES.,FXD,FILM:2.05K OHM,1%,0.125W | 91637 | MFF1816G20500F |
| A62R4045 | 323-0126-00 | | RES.,FXD,FILM:200 OHM,1%,0.50W | 75042 | CECT0-2000F |
| A62R4046 | 301-0102-00 | | RES.,FXD,CMPSN:1K OHM,5%,0.50W | 01121 | EB1025 |
| A62R4050 | 321-0041-00 | | RES.,FXD,FILM:26.1 OHM,1%,0.125W | 91637 | MFF1816G26R10F |
| A62R4051 | 315-0101-00 | | RES.,FXD,CMPSN:100 OHM,5%,0.25W | 01121 | CB1015 |
| A62R4052 | 311-1245-00 | | RES.,VAR,NONWIR:10K OHM,10%,0.50W | 73138 | 72-28-0 |
| A62R4061 | 315-0512-00 | | RES.,FXD,CMPSN:5.1K OHM,5%,0.25W | 01121 | CB5125 |
| A62R4062 | 315-0512-00 | | RES.,FXD,CMPSN:5.1K OHM,5%,0.25W | 01121 | CB5125 |
| A62R4064 | 315-0103-00 | | RES.,FXD,CMPSN:10K OHM,5%,0.25W | 01121 | CB1035 |
| A62R4071 | 311-1245-00 | | RES.,VAR,NONWIR:10K OHM,10%,0.50W | 73138 | 72-28-0 |
| A62R4072 | 321-0452-00 | | RES.,FXD,FILM:499K OHM,1%,0.125W | 91637 | MFF1816G49902F |
| A62R4074 | 315-0103-00 | | RES.,FXD,CMPSN:10K OHM,5%,0.25W | 01121 | CB1035 |
| A62R4081 | 311-1245-00 | | RES.,VAR,NONWIR:10K OHM,10%,0.50W | 73138 | 72-28-0 |
| A62R4084 | 321-0431-00 | | RES.,FXD,FILM:301K OHM,1%,0.125W | 91637 | MFF1816G30102F |
| A62R4085 | 321-0389-00 | | RES.,FXD,FILM:110K OHM,1%,0.125W | 91637 | MFF1816G11002F |
| A62R4091 | 321-0406-00 | | RES.,FXD,FILM:165K OHM,1%,0.125W | 91637 | MFF1816G16502F |
| A62R4092 | 321-0423-00 | | RES.,FXD,FILM:249K OHM,1%,0.125W | 91637 | MFF1816G24902F |
| A62R4093 | 321-0309-00 | | RES.,FXD,FILM:16.2K OHM,1%,0.125W | 91637 | MFF1816G16201F |
| A62R4094 | 315-0102-00 | | RES.,FXD,CMPSN:1K OHM,5%,0.25W | 01121 | CB1025 |
| A62R4095 | 315-0102-00 | | RES.,FXD,CMPSN:1K OHM,5%,0.25W | 01121 | CB1025 |
| A62R4096 | 315-0102-00 | | RES.,FXD,CMPSN:1K OHM,5%,0.25W | 01121 | CB1025 |
| A62R4101 | 307-0106-00 | | RES.,FXD,CMPSN:4.7 OHM,5%,0.25W | 01121 | CB47G5 |
| A62R4102 | 321-0321-00 | | RES.,FXD,FILM:21.5K OHM,1%,0.125W | 91637 | MFF1816G21501F |
| A62R4103 | 315-0103-00 | | RES.,FXD,CMPSN:10K OHM,5%,0.25W | 01121 | CB1035 |
| A62R5015 | 315-0102-00 | | RES.,FXD,CMPSN:1K OHM,5%,0.25W | 01121 | CB1025 |
| A62R5020 | 321-0193-00 | | RES.,FXD,FILM:1K OHM,1%,0.125W | 91637 | MFF1816G10000F |
| A62R5021 | 321-0389-00 | | RES.,FXD,FILM:110K OHM,1%,0.125W | 91637 | MFF1816G11002F |
| A62R5022 | 321-0423-00 | | RES.,FXD,FILM:249K OHM,1%,0.125W | 91637 | MFF1816G24902F |
| A62R5024 | 315-0510-00 | | RES.,FXD,CMPSN:51 OHM,5%,0.25W | 01121 | CB5105 |

Replaceable Electrical Parts—496/496P Service Vol.2

| Component No. | Tektronix Part No. | Serial/Model No. Eff Dscont | Name & Description | Mfr Code | Mfr Part Number |
|---------------|--------------------|-----------------------------|-----------------------------------|----------|-----------------|
| A62R5025 | 315-0751-00 | | RES.,FXD,CMPSN:750 OHM,5%,0.25W | 01121 | CB7515 |
| A62R5027 | 321-0126-00 | | RES.,FXD,FILM:200 OHM,1%,0.125W | 91637 | MFF1816G200R0F |
| A62R5029 | 321-0268-00 | | RES.,FXD,FILM:6.04K OHM,1%,0.125W | 91637 | MFF1816G60400F |
| A62R5031 | 315-0181-00 | | RES.,FXD,CMPSN:180 OHM,5%,0.25W | 01121 | CB1815 |
| A62R5032 | 321-0289-00 | | RES.,FXD,FILM:10K OHM,1%,0.125W | 91637 | MFF1816G10001F |
| A62R5081 | 315-0102-00 | | RES.,FXD,CMPSN:1K OHM,5%,0.25W | 01121 | CB1025 |
| A62R5082 | 321-0290-00 | | RES.,FXD,FILM:10.2K OHM,1%,0.125W | 91637 | MFF1816G10201F |
| A62R5083 | 321-0424-00 | | RES.,FXD,FILM:255K OHM,1%,0.125W | 91637 | MFF1816G25502F |
| A62R5084 | 321-0330-00 | | RES.,FXD,FILM:26.7K OHM,1%,0.125W | 91637 | MFF1816G26701F |
| A62R5085 | 315-0103-00 | | RES.,FXD,CMPSN:10K OHM,5%,0.25W | 01121 | CB1035 |
| A62R5086 | 315-0754-00 | | RES.,FXD,CMPSN:750K OHM,5%,0.25W | 01121 | CB7545 |
| A62R5101 | 321-0387-00 | | RES.,FXD,FILM:105K OHM,1%,0.125W | 91637 | MFF1816G10502F |
| A62R5102 | 315-0102-00 | | RES.,FXD,CMPSN:1K OHM,5%,0.25W | 01121 | CB1025 |
| A62R5103 | 315-0103-00 | | RES.,FXD,CMPSN:10K OHM,5%,0.25W | 01121 | CB1035 |
| A62R5105 | 315-0202-00 | | RES.,FXD,CMPSN:2K OHM,5%,0.25W | 01121 | CB2025 |
| A62R5107 | 315-0473-00 | | RES.,FXD,CMPSN:47K OHM,5%,0.25W | 01121 | CB4735 |
| A62R5108 | 315-0753-00 | | RES.,FXD,CMPSN:75K OHM,5%,0.25W | 01121 | CB7535 |
| A62R6024 | 307-0106-00 | | RES.,FXD,CMPSN:4.7 OHM,5%,0.25W | 01121 | CB47G5 |
| A62R6028 | 321-0164-00 | | RES.,FXD,FILM:499 OHM,1%,0.125W | 91637 | MFF1816G499R0F |
| A62R6033 | 321-0126-00 | | RES.,FXD,FILM:200 OHM,1%,0.125W | 91637 | MFF1816G200R0F |
| A62R6034 | 321-0193-00 | | RES.,FXD,FILM:1K OHM,1%,0.125W | 91637 | MFF1816G10000F |
| A62R6072 | 315-0103-00 | | RES.,FXD,CMPSN:10K OHM,5%,0.25W | 01121 | CB1035 |
| A62R6073 | 321-0318-00 | | RES.,FXD,FILM:20K OHM,1%,0.125W | 91637 | MFF1816G20001F |
| A62R6074 | 321-0347-00 | | RES.,FXD,FILM:40.2K OHM,1%,0.125W | 91637 | MFF1816G40201F |
| A62R6081 | 321-0164-00 | | RES.,FXD,FILM:499 OHM,1%,0.125W | 91637 | MFF1816G499R0F |
| A62R6082 | 321-0289-00 | | RES.,FXD,FILM:10K OHM,1%,0.125W | 91637 | MFF1816G10001F |
| A62R6083 | 315-0103-00 | | RES.,FXD,CMPSN:10K OHM,5%,0.25W | 01121 | CB1035 |
| A62R6084 | 321-0239-00 | | RES.,FXD,FILM:3.01K OHM,1%,0.125W | 91637 | MFF1816G30100F |
| A62R6085 | 321-0171-00 | | RES.,FXD,FILM:590 OHM,1%,0.125W | 91637 | MFF1816G590R0F |
| A62R6101 | 321-0324-00 | | RES.,FXD,FILM:23.2K OHM,1%,0.125W | 91637 | MFF1816G23201F |
| A62R6102 | 321-0431-00 | | RES.,FXD,FILM:301K OHM,1%,0.125W | 91637 | MFF1816G30102F |
| A62R6103 | 321-0243-00 | | RES.,FXD,FILM:3.32K OHM,1%,0.125W | 91637 | MFF1816G33200F |
| A62R6104 | 321-0349-00 | | RES.,FXD,FILM:42.2K OHM,1%,0.125W | 91637 | MFF1816G42201F |
| A62R6107 | 315-0103-00 | | RES.,FXD,CMPSN:10K OHM,5%,0.25W | 01121 | CB1035 |
| A62R6108 | 321-0289-00 | | RES.,FXD,FILM:10K OHM,1%,0.125W | 91637 | MFF1816G10001F |
| A62R6109 | 315-0470-00 | | RES.,FXD,CMPSN:47 OHM,5%,0.25W | 01121 | CB4705 |
| A62R6111 | 315-0470-00 | | RES.,FXD,CMPSN:47 OHM,5%,0.25W | 01121 | CB4705 |
| A62R6112 | 315-0473-00 | | RES.,FXD,CMPSN:47K OHM,5%,0.25W | 01121 | CB4735 |
| A62R6113 | 315-0272-00 | | RES.,FXD,CMPSN:2.7K OHM,5%,0.25W | 01121 | CB2725 |
| A62R6114 | 315-0103-00 | | RES.,FXD,CMPSN:10K OHM,5%,0.25W | 01121 | CB1035 |
| A62R7071 | 321-0376-00 | | RES.,FXD,FILM:80.6K OHM,1%,0.125W | 91637 | MFF1816G80601F |
| A62R7072 | 321-0242-00 | | RES.,FXD,FILM:3.24K OHM,1%,0.125W | 91637 | MFF1816G32400F |
| A62R7073 | 315-0100-00 | | RES.,FXD,CMPSN:10 OHM,5%,0.25W | 01121 | CB1005 |
| A62R7074 | 315-0103-00 | | RES.,FXD,CMPSN:10K OHM,5%,0.25W | 01121 | CB1035 |
| A62R7081 | 321-0170-00 | | RES.,FXD,FILM:576 OHM,1%,0.125W | 91637 | MFF1816G576R0F |
| A62R7082 | 321-0150-00 | | RES.,FXD,FILM:357 OHM,1%,0.125W | 91637 | MFF1816G357R0F |
| A62R7085 | 321-0300-00 | | RES.,FXD,FILM:13K OHM,1%,0.125W | 91637 | MFF1816G13001F |
| A62R7086 | 321-0172-00 | | RES.,FXD,FILM:604 OHM,1%,0.125W | 91637 | MFF1816G604R0F |
| A62R7087 | 315-0101-00 | | RES.,FXD,CMPSN:100 OHM,5%,0.25W | 01121 | CB1015 |
| A62R7092 | 321-0299-00 | | RES.,FXD,FILM:12.7K OHM,1%,0.125W | 91637 | MFF1816G12701F |
| A62R7093 | 321-0236-00 | | RES.,FXD,FILM:2.8K OHM,1%,0.125W | 91637 | MFF1816G28000F |
| A62R7095 | 315-0362-00 | | RES.,FXD,CMPSN:3.6K OHM,5%,0.25W | 01121 | CB3625 |
| A62R7096 | 321-0348-00 | | RES.,FXD,FILM:41.2K OHM,1%,0.125W | 91637 | MFF1816G41201F |
| A62R7097 | 321-0385-00 | | RES.,FXD,FILM:100K OHM,1%,0.125W | 91637 | MFF1816G10002F |
| A62R7099 | 315-0103-00 | | RES.,FXD,CMPSN:10K OHM,5%,0.25W | 01121 | CB1035 |

| Component No. | Tektronix | | Serial/Model No. | | Name & Description | Mfr Code | Mfr Part Number |
|---------------|-------------|--|------------------|--------|---------------------------------------|----------|-----------------|
| | Part No. | | Eff | Dscont | | | |
| A62R7102 | 315-0105-00 | | | | RES.,FXD,CMPSN:1M OHM,5%,0.25W | 01121 | CB1055 |
| A62R8020 | 321-0296-00 | | | | RES.,FXD,FILM:11.8K OHM,1%,0.125W | 91637 | MFF1816G11801F |
| A62R8021 | 321-0296-00 | | | | RES.,FXD,FILM:11.8K OHM,1%,0.125W | 91637 | MFF1816G11801F |
| A62R8031 | 307-0106-00 | | | | RES.,FXD,CMPSN:4.7 OHM,5%,0.25W | 01121 | CB47G5 |
| A62R8034 | 307-0106-00 | | | | RES.,FXD,CMPSN:4.7 OHM,5%,0.25W | 01121 | CB47G5 |
| A62U4090 | 155-0116-00 | | | | MICROCIRCUIT,LI:QUAD OPNL AMPL | 80009 | 155-0116-00 |
| A62U5041 | 156-0509-00 | | | | MICROCIRCUIT,DI:8-BIT BINARY,MULT CUR | 04713 | MC1408L8 |
| A62U5060 | 156-0411-02 | | | | MICROCIRCUIT,LI:QUAD COMPARATOR,SEL | 04713 | LM339JDS |
| A62U5070 | 156-0385-02 | | | | MICROCIRCUIT,DI:HEX INVERTER | 01295 | SN74LS04 |
| A62U6040 | 156-0913-02 | | | | MICROCIRCUIT,DI:OCTAL D FF,BURN-IN | 04713 | SN74LS377NDS |
| A62U6050 | 156-0913-02 | | | | MICROCIRCUIT,DI:OCTAL D FF,BURN-IN | 04713 | SN74LS377NDS |
| A62U6060 | 156-0411-02 | | | | MICROCIRCUIT,LI:QUAD COMPARATOR,SEL | 04713 | LM339JDS |
| A62U6070 | 156-0469-02 | | | | MICROCIRCUIT,DI:3/8 LINE DCDR | 01295 | SN74LS138NP3 |

Replaceable Electrical Parts—496/496P Service Vol.2

| Component No. | Tektronix Part No. | Serial/Model No. Eff Dscont | Name & Description | Mfr Code | Mfr Part Number |
|---------------|--------------------|-----------------------------|--|----------|------------------|
| A64 | 670-5553-00 | | CKT BOARD ASSY:DEFLECTION AMPS | 80009 | 670-5553-00 |
| A64C1018 | 283-0006-00 | | CAP.,FXD,CER DI:0.02UF,+80-20%,500V | 59660 | 0841545Z5V00203Z |
| A64C1023 | 283-0203-00 | | CAP.,FXD,CER DI:0.47UF,20%,50V | 72982 | 8131M058Z5U0474M |
| A64C1037 | 283-0010-00 | | CAP.,FXD,CER DI:0.05UF,+100-20%,50V | 56289 | 1C10Z5U503Z050B |
| A64C1049 | 283-0203-00 | | CAP.,FXD,CER DI:0.47UF,20%,50V | 72982 | 8131M058Z5U0474M |
| A64C2021 | 281-0661-00 | | CAP.,FXD,CER DI:0.8PF,+/-0.1PF,500V | 04222 | 7001-COK-OR8B |
| A64C2022 | 283-0006-00 | | CAP.,FXD,CER DI:0.02UF,+80-20%,500V | 59660 | 0841545Z5V00203Z |
| A64C2055 | 283-0140-00 | | CAP.,FXD,CER DI:4.7PF,5%,50V | 72982 | 8101E003A479C |
| A64C2066 | 283-0140-00 | | CAP.,FXD,CER DI:4.7PF,5%,50V | 72982 | 8101E003A479C |
| A64C2083 | 283-0006-00 | | CAP.,FXD,CER DI:0.02UF,+80-20%,500V | 59660 | 0841545Z5V00203Z |
| A64C2085 | 281-0661-00 | | CAP.,FXD,CER DI:0.8PF,+/-0.1PF,500V | 04222 | 7001-COK-OR8B |
| A64C2087 | 283-0006-00 | | CAP.,FXD,CER DI:0.02UF,+80-20%,500V | 59660 | 0841545Z5V00203Z |
| A64C2101 | 283-0006-00 | | CAP.,FXD,CER DI:0.02UF,+80-20%,500V | 59660 | 0841545Z5V00203Z |
| A64C2103 | 283-0006-00 | | CAP.,FXD,CER DI:0.02UF,+80-20%,500V | 59660 | 0841545Z5V00203Z |
| A64C2106 | 281-0661-00 | | CAP.,FXD,CER DI:0.8PF,+/-0.1PF,500V | 04222 | 7001-COK-OR8B |
| A64C3039 | 283-0006-00 | | CAP.,FXD,CER DI:0.02UF,+80-20%,500V | 59660 | 0841545Z5V00203Z |
| A64C3043 | 281-0661-00 | | CAP.,FXD,CER DI:0.8PF,+/-0.1PF,500V | 04222 | 7001-COK-OR8B |
| A64C3051 | 283-0006-00 | | CAP.,FXD,CER DI:0.02UF,+80-20%,500V | 59660 | 0841545Z5V00203Z |
| A64C3073 | 283-0010-00 | | CAP.,FXD,CER DI:0.05UF,+100-20%,50V | 56289 | 1C10Z5U503Z050B |
| A64C4052 | 281-0204-00 | | CAP.,VAR,PLSTC:2-22PF,100V | 80031 | 287C00222MJ02 |
| A64C4061 | 281-0204-00 | | CAP.,VAR,PLSTC:2-22PF,100V | 80031 | 287C00222MJ02 |
| A64C5021 | 281-0204-00 | | CAP.,VAR,PLSTC:2-22PF,100V | 80031 | 287C00222MJ02 |
| A64C5033 | 283-0111-00 | | CAP.,FXD,CER DI:0.1UF,20%,50V | 56289 | 273C11 |
| A64C5058 | 283-0111-00 | | CAP.,FXD,CER DI:0.1UF,20%,50V | 56289 | 273C11 |
| A64C5089 | 283-0111-00 | | CAP.,FXD,CER DI:0.1UF,20%,50V | 56289 | 273C11 |
| A64C5104 | 281-0204-00 | | CAP.,VAR,PLSTC:2-22PF,100V | 80031 | 287C00222MJ02 |
| A64C6033 | 283-0189-00 | | CAP.,FXD,CER DI:0.1UF,20%,400V | 56289 | 5C40X5R104M400B |
| A64C6037 | 283-0189-00 | | CAP.,FXD,CER DI:0.1UF,20%,400V | 56289 | 5C40X5R104M400B |
| A64C6073 | 283-0181-00 | | CAP.,FXD,CER DI:1.8PF,10%,100V | 59660 | 8101B121COKO189B |
| A64C6081 | 281-0811-00 | | CAP.,FXD,CER DI:10PF,10%,100V | 72982 | 8035D2AADC1G100K |
| A64C7015 | 283-0065-00 | | CAP.,FXD,CER DI:0.001UF,5%,100V | 59660 | 0835-591Y5E0102J |
| A64C7061 | 283-0177-00 | | CAP.,FXD,CER DI:1UF,+80-20%,25V | 56289 | 2C20Z5U105Z025B |
| A64C7071 | 283-0177-00 | | CAP.,FXD,CER DI:1UF,+80-20%,25V | 56289 | 2C20Z5U105Z025B |
| A64C7073 | 283-0177-00 | | CAP.,FXD,CER DI:1UF,+80-20%,25V | 56289 | 2C20Z5U105Z025B |
| A64C7074 | 283-0177-00 | | CAP.,FXD,CER DI:1UF,+80-20%,25V | 56289 | 2C20Z5U105Z025B |
| A64C7088 | 283-0177-00 | | CAP.,FXD,CER DI:1UF,+80-20%,25V | 56289 | 2C20Z5U105Z025B |
| A64C7091 | 283-0181-00 | | CAP.,FXD,CER DI:1.8PF,10%,100V | 59660 | 8101B121COKO189B |
| A64C7093 | 283-0177-00 | | CAP.,FXD,CER DI:1UF,+80-20%,25V | 56289 | 2C20Z5U105Z025B |
| A64C7094 | 283-0111-00 | | CAP.,FXD,CER DI:0.1UF,20%,50V | 56289 | 273C11 |
| A64C7097 | 283-0177-00 | | CAP.,FXD,CER DI:1UF,+80-20%,25V | 56289 | 2C20Z5U105Z025B |
| A64C7102 | 283-0111-00 | | CAP.,FXD,CER DI:0.1UF,20%,50V | 56289 | 273C11 |
| A64CR3058 | 152-0141-02 | | SEMICONV DEVICE:SILICON,30V,150MA | 01295 | 1N4152R |
| A64CR4051 | 152-0141-02 | | SEMICONV DEVICE:SILICON,30V,150MA | 01295 | 1N4152R |
| A64CR4052 | 152-0141-02 | | SEMICONV DEVICE:SILICON,30V,150MA | 01295 | 1N4152R |
| A64CR4058 | 152-0141-02 | | SEMICONV DEVICE:SILICON,30V,150MA | 01295 | 1N4152R |
| A64CR4063 | 152-0141-02 | | SEMICONV DEVICE:SILICON,30V,150MA | 01295 | 1N4152R |
| A64CR4064 | 152-0141-02 | | SEMICONV DEVICE:SILICON,30V,150MA | 01295 | 1N4152R |
| A64CR5054 | 152-0141-02 | | SEMICONV DEVICE:SILICON,30V,150MA | 01295 | 1N4152R |
| A64CR5055 | 152-0141-02 | | SEMICONV DEVICE:SILICON,30V,150MA | 01295 | 1N4152R |
| A64CR6082 | 152-0141-02 | | SEMICONV DEVICE:SILICON,30V,150MA | 01295 | 1N4152R |
| A64CR7081 | 152-0141-02 | | SEMICONV DEVICE:SILICON,30V,150MA | 01295 | 1N4152R |
| A64J1035 | 131-0608-00 | | TERMINAL,PIN:0.365 L X 0.025 PH BRZ GOLD | 22526 | 47357 |
| A64J2100 | 131-0608-00 | | TERMINAL,PIN:0.365 L X 0.025 PH BRZ GOLD | 22526 | 47357 |
| A64L7061 | 108-0395-00 | | COIL,RF:64UH | 80009 | 108-0395-00 |
| A64L7069 | 108-0395-00 | | COIL,RF:64UH | 80009 | 108-0395-00 |

| Component No. | Tektronix Part No. | Serial/Model No. Eff Dscont | Name & Description | Mfr Code | Mfr Part Number |
|---------------|--------------------|-----------------------------|-----------------------------------|----------|-----------------|
| A64L7081 | 108-0395-00 | | COIL,RF:64UH | 80009 | 108-0395-00 |
| A64L7088 | 108-0395-00 | | COIL,RF:64UH | 80009 | 108-0395-00 |
| A64Q1024 | 151-0694-01 | | TRANSISTOR:SILICON,NPN | 80009 | 151-0694-01 |
| A64Q1031 | 151-0693-01 | | TRANSISTOR:SILICON,NPN | 80009 | 151-0693-01 |
| A64Q1043 | 151-0693-01 | | TRANSISTOR:SILICON,NPN | 80009 | 151-0693-01 |
| A64Q1049 | 151-0694-01 | | TRANSISTOR:SILICON,NPN | 80009 | 151-0694-01 |
| A64Q1072 | 151-0694-01 | | TRANSISTOR:SILICON,NPN | 80009 | 151-0694-01 |
| A64Q1095 | 151-0694-01 | | TRANSISTOR:SILICON,NPN | 80009 | 151-0694-01 |
| A64Q2078 | 151-0693-01 | | TRANSISTOR:SILICON,NPN | 80009 | 151-0693-01 |
| A64Q2096 | 151-0693-01 | | TRANSISTOR:SILICON,NPN | 80009 | 151-0693-01 |
| A64Q4017 | 151-0220-00 | | TRANSISTOR:SILICON,PNP | 07263 | S036228 |
| A64Q4022 | 151-0220-00 | | TRANSISTOR:SILICON,PNP | 07263 | S036228 |
| A64Q4025 | 151-0261-00 | | TRANSISTOR:SILICON,PNP,DUAL | 04713 | SD441 |
| A64Q4026 | 151-0302-00 | | TRANSISTOR:SILICON,NPN | 07263 | S038487 |
| A64Q4035 | 151-0302-00 | | TRANSISTOR:SILICON,NPN | 07263 | S038487 |
| A64Q4038 | 151-0261-00 | | TRANSISTOR:SILICON,PNP,DUAL | 04713 | SD441 |
| A64Q4042 | 151-0220-00 | | TRANSISTOR:SILICON,PNP | 07263 | S036228 |
| A64Q4047 | 151-0220-00 | | TRANSISTOR:SILICON,PNP | 07263 | S036228 |
| A64Q4077 | 151-0220-00 | | TRANSISTOR:SILICON,PNP | 07263 | S036228 |
| A64Q4078 | 151-0220-00 | | TRANSISTOR:SILICON,PNP | 07263 | S036228 |
| A64Q4083 | 151-0261-00 | | TRANSISTOR:SILICON,PNP,DUAL | 04713 | SD441 |
| A64Q4084 | 151-0220-00 | | TRANSISTOR:SILICON,PNP | 07263 | S036228 |
| A64Q4088 | 151-0302-00 | | TRANSISTOR:SILICON,NPN | 07263 | S038487 |
| A64Q4098 | 151-0302-00 | | TRANSISTOR:SILICON,NPN | 07263 | S038487 |
| A64Q4101 | 151-0261-00 | | TRANSISTOR:SILICON,PNP,DUAL | 04713 | SD441 |
| A64Q4102 | 151-0220-00 | | TRANSISTOR:SILICON,PNP | 07263 | S036228 |
| A64Q4108 | 151-0220-00 | | TRANSISTOR:SILICON,PNP | 07263 | S036228 |
| A64Q7097 | 151-0302-00 | | TRANSISTOR:SILICON,NPN | 07263 | S038487 |
| A64Q7103 | 151-0302-00 | | TRANSISTOR:SILICON,NPN | 07263 | S038487 |
| A64R1012 | 315-0102-00 | | RES.,FXD,CMPSN:1K OHM,5%,0.25W | 01121 | CB1025 |
| A64R1014 | 315-0472-00 | | RES.,FXD,CMPSN:4.7K OHM,5%,0.25W | 01121 | CB4725 |
| A64R1016 | 315-0470-00 | | RES.,FXD,CMPSN:47 OHM,5%,0.25W | 01121 | CB4705 |
| A64R1022 | 315-0470-00 | | RES.,FXD,CMPSN:47 OHM,5%,0.25W | 01121 | CB4705 |
| A64R1023 | 315-0392-00 | | RES.,FXD,CMPSN:3.9K OHM,5%,0.25W | 01121 | CB3925 |
| A64R1024 | 315-0912-00 | | RES.,FXD,CMPSN:9.1K OHM,5%,0.25W | 01121 | CB9125 |
| A64R1031 | 315-0102-00 | | RES.,FXD,CMPSN:1K OHM,5%,0.25W | 01121 | CB1025 |
| A64R1034 | 315-0470-00 | | RES.,FXD,CMPSN:47 OHM,5%,0.25W | 01121 | CB4705 |
| A64R1044 | 315-0102-00 | | RES.,FXD,CMPSN:1K OHM,5%,0.25W | 01121 | CB1025 |
| A64R1045 | 315-0470-00 | | RES.,FXD,CMPSN:47 OHM,5%,0.25W | 01121 | CB4705 |
| A64R1049 | 315-0392-00 | | RES.,FXD,CMPSN:3.9K OHM,5%,0.25W | 01121 | CB3925 |
| A64R1052 | 315-0912-00 | | RES.,FXD,CMPSN:9.1K OHM,5%,0.25W | 01121 | CB9125 |
| A64R1055 | 311-1245-00 | | RES.,VAR,NONWIR:10K OHM,10%,0.50W | 73138 | 72-28-0 |
| A64R1066 | 311-1245-00 | | RES.,VAR,NONWIR:10K OHM,10%,0.50W | 73138 | 72-28-0 |
| A64R1081 | 315-0102-00 | | RES.,FXD,CMPSN:1K OHM,5%,0.25W | 01121 | CB1025 |
| A64R1082 | 315-0470-00 | | RES.,FXD,CMPSN:47 OHM,5%,0.25W | 01121 | CB4705 |
| A64R1084 | 315-0751-00 | | RES.,FXD,CMPSN:750 OHM,5%,0.25W | 01121 | CB7515 |
| A64R1085 | 315-0472-00 | | RES.,FXD,CMPSN:4.7K OHM,5%,0.25W | 01121 | CB4725 |
| A64R1092 | 315-0751-00 | | RES.,FXD,CMPSN:750 OHM,5%,0.25W | 01121 | CB7515 |
| A64R2016 | 323-0620-00 | | RES.,FXD,FILM:800K OHM,1%,0.5W | 91637 | MFF1226G80002F |
| A64R2053 | 321-0424-00 | | RES.,FXD,FILM:255K OHM,1%,0.125W | 91637 | MFF1816G25502F |
| A64R2057 | 321-0372-00 | | RES.,FXD,FILM:73.2K OHM,1%,0.125W | 91637 | MFF1816G73201F |
| A64R2059 | 321-0415-00 | | RES.,FXD,FILM:205K OHM,1%,0.125W | 91637 | MFF1816G20502F |
| A64R2062 | 321-0425-00 | | RES.,FXD,FILM:261K OHM,1%,0.125W | 91637 | MFF1816G26102F |
| A64R2066 | 321-0380-00 | | RES.,FXD,FILM:88.7K OHM,1%,0.125W | 91637 | MFF1816G88701F |
| A64R2109 | 323-0620-00 | | RES.,FXD,FILM:800K OHM,1%,0.5W | 91637 | MFF1226G80002F |

| Component No. | Tektronix Part No. | Serial/Model No. Eff Dscont | Name & Description | Mfr Code | Mfr Part Number |
|---------------|--------------------|-----------------------------|-----------------------------------|----------|-----------------|
| A64R3019 | 321-0378-00 | | RES.,FXD,FILM:84.5K OHM,1%,0.125W | 91637 | MFF1816G84501F |
| A64R3021 | 321-0229-00 | | RES.,FXD,FILM:2.37K OHM,1%,0.125W | 91637 | MFF1816G23700F |
| A64R3023 | 321-0229-00 | | RES.,FXD,FILM:2.37K OHM,1%,0.125W | 91637 | MFF1816G23700F |
| A64R3027 | 301-0624-00 | | RES.,FXD,CMPSN:620K OHM,5%,0.50W | 01121 | EB6245 |
| A64R3031 | 301-0624-00 | | RES.,FXD,CMPSN:620K OHM,5%,0.50W | 01121 | EB6245 |
| A64R3035 | 321-0229-00 | | RES.,FXD,FILM:2.37K OHM,1%,0.125W | 91637 | MFF1816G23700F |
| A64R3037 | 321-0229-00 | | RES.,FXD,FILM:2.37K OHM,1%,0.125W | 91637 | MFF1816G23700F |
| A64R3045 | 323-0620-00 | | RES.,FXD,FILM:800K OHM,1%,0.5W | 91637 | MFF1226G80002F |
| A64R3048 | 315-0242-00 | | RES.,FXD,CMPSN:2.4K OHM,5%,0.25W | 01121 | CB2425 |
| A64R3049 | 321-0347-00 | | RES.,FXD,FILM:40.2K OHM,1%,0.125W | 91637 | MFF1816G40201F |
| A64R3051 | 321-0286-00 | | RES.,FXD,FILM:9.31K OHM,1%,0.125W | 91637 | MFF1816G93100F |
| A64R3052 | 321-0318-00 | | RES.,FXD,FILM:20K OHM,1%,0.125W | 91637 | MFF1816G20001F |
| A64R3059 | 321-0379-00 | | RES.,FXD,FILM:86.6K OHM,1%,0.125W | 91637 | MFF1816G86601F |
| A64R3061 | 321-0286-00 | | RES.,FXD,FILM:9.31K OHM,1%,0.125W | 91637 | MFF1816G93100F |
| A64R3064 | 321-0318-00 | | RES.,FXD,FILM:20K OHM,1%,0.125W | 91637 | MFF1816G20001F |
| A64R3066 | 321-0424-00 | | RES.,FXD,FILM:255K OHM,1%,0.125W | 91637 | MFF1816G25502F |
| A64R3071 | 321-0416-00 | | RES.,FXD,FILM:210K OHM,1%,0.125W | 91637 | MFF1816G21002F |
| A64R3076 | 315-0470-00 | | RES.,FXD,CMPSN:47 OHM,5%,0.25W | 01121 | CB4705 |
| A64R3084 | 321-0229-00 | | RES.,FXD,FILM:2.37K OHM,1%,0.125W | 91637 | MFF1816G23700F |
| A64R3086 | 321-0229-00 | | RES.,FXD,FILM:2.37K OHM,1%,0.125W | 91637 | MFF1816G23700F |
| A64R3092 | 323-0620-00 | | RES.,FXD,FILM:800K OHM,1%,0.5W | 91637 | MFF1226G80002F |
| A64R3095 | 303-0304-00 | | RES.,FXD,CMPSN:300K OHM,5%,1W | 01121 | GB3045 |
| A64R3098 | 303-0304-00 | | RES.,FXD,CMPSN:300K OHM,5%,1W | 01121 | GB3045 |
| A64R3101 | 321-0229-00 | | RES.,FXD,FILM:2.37K OHM,1%,0.125W | 91637 | MFF1816G23700F |
| A64R3103 | 321-0229-00 | | RES.,FXD,FILM:2.37K OHM,1%,0.125W | 91637 | MFF1816G23700F |
| A64R3107 | 321-0378-00 | | RES.,FXD,FILM:84.5K OHM,1%,0.125W | 91637 | MFF1816G84501F |
| A64R4021 | 315-0302-00 | | RES.,FXD,CMPSN:3K OHM,5%,0.25W | 01121 | CB3025 |
| A64R4033 | 321-0378-00 | | RES.,FXD,FILM:84.5K OHM,1%,0.125W | 91637 | MFF1816G84501F |
| A64R4057 | 321-0412-00 | | RES.,FXD,FILM:191K OHM,1%,0.125W | 91637 | MFF1816G19102F |
| A64R4058 | 321-0215-00 | | RES.,FXD,FILM:1.69K OHM,1%,0.125W | 91637 | MFF1816G16900F |
| A64R4059 | 321-0412-00 | | RES.,FXD,FILM:191K OHM,1%,0.125W | 91637 | MFF1816G19102F |
| A64R4061 | 321-0280-00 | | RES.,FXD,FILM:8.06K OHM,1%,0.125W | 91637 | MFF1816G80600F |
| A64R4062 | 321-0379-00 | | RES.,FXD,FILM:86.6K OHM,1%,0.125W | 91637 | MFF1816G86601F |
| A64R4065 | 321-0416-00 | | RES.,FXD,FILM:210K OHM,1%,0.125W | 91637 | MFF1816G21002F |
| A64R4067 | 321-0282-00 | | RES.,FXD,FILM:8.45K OHM,1%,0.125W | 91637 | MFF1816G84500F |
| A64R4069 | 315-0242-00 | | RES.,FXD,CMPSN:2.4K OHM,5%,0.25W | 01121 | CB2425 |
| A64R4071 | 321-0347-00 | | RES.,FXD,FILM:40.2K OHM,1%,0.125W | 91637 | MFF1816G40201F |
| A64R4072 | 321-0290-00 | | RES.,FXD,FILM:10.2K OHM,1%,0.125W | 91637 | MFF1816G10201F |
| A64R4073 | 321-0398-00 | | RES.,FXD,FILM:137K OHM,1%,0.125W | 91637 | MFF1816G13702F |
| A64R5017 | 321-0378-00 | | RES.,FXD,FILM:84.5K OHM,1%,0.125W | 91637 | MFF1816G84501F |
| A64R5023 | 315-0102-00 | | RES.,FXD,CMPSN:1K OHM,5%,0.25W | 01121 | CB1025 |
| A64R5025 | 315-0103-00 | | RES.,FXD,CMPSN:10K OHM,5%,0.25W | 01121 | CB1035 |
| A64R5027 | 315-0203-00 | | RES.,FXD,CMPSN:20K OHM,5%,0.25W | 01121 | CB2035 |
| A64R5029 | 315-0102-00 | | RES.,FXD,CMPSN:1K OHM,5%,0.25W | 01121 | CB1025 |
| A64R5035 | 315-0101-00 | | RES.,FXD,CMPSN:100 OHM,5%,0.25W | 01121 | CB1015 |
| A64R5037 | 315-0102-00 | | RES.,FXD,CMPSN:1K OHM,5%,0.25W | 01121 | CB1025 |
| A64R5039 | 315-0103-00 | | RES.,FXD,CMPSN:10K OHM,5%,0.25W | 01121 | CB1035 |
| A64R5041 | 315-0203-00 | | RES.,FXD,CMPSN:20K OHM,5%,0.25W | 01121 | CB2035 |
| A64R5043 | 315-0102-00 | | RES.,FXD,CMPSN:1K OHM,5%,0.25W | 01121 | CB1025 |
| A64R5049 | 321-0419-00 | | RES.,FXD,FILM:226K OHM,1%,0.125W | 91637 | MFF1816G22602F |
| A64R5053 | 321-0335-00 | | RES.,FXD,FILM:30.1K OHM,1%,0.125W | 91637 | CMF55116G30101F |
| A64R5078 | 315-0102-00 | | RES.,FXD,CMPSN:1K OHM,5%,0.25W | 01121 | CB1025 |
| A64R5081 | 315-0103-00 | | RES.,FXD,CMPSN:10K OHM,5%,0.25W | 01121 | CB1035 |
| A64R5082 | 315-0103-00 | | RES.,FXD,CMPSN:10K OHM,5%,0.25W | 01121 | CB1035 |
| A64R5084 | 315-0102-00 | | RES.,FXD,CMPSN:1K OHM,5%,0.25W | 01121 | CB1025 |

| Component No. | Tektronix Part No. | Serial/Model No. Eff Dscnt | Name & Description | Mfr Code | Mfr Part Number |
|---------------|--------------------|----------------------------|--|----------|-----------------|
| A64R5086 | 315-0101-00 | | RES.,FXD,CMPSN:100 OHM,5%,0.25W | 01121 | CB1015 |
| A64R5091 | 321-0378-00 | | RES.,FXD,FILM:84.5K OHM,1%,0.125W | 91637 | MFF1816G84501F |
| A64R5096 | 315-0102-00 | | RES.,FXD,CMPSN:1K OHM,5%,0.25W | 01121 | CB1025 |
| A64R5097 | 315-0103-00 | | RES.,FXD,CMPSN:10K OHM,5%,0.25W | 01121 | CB1035 |
| A64R5099 | 315-0103-00 | | RES.,FXD,CMPSN:10K OHM,5%,0.25W | 01121 | CB1035 |
| A64R5102 | 315-0102-00 | | RES.,FXD,CMPSN:1K OHM,5%,0.25W | 01121 | CB1025 |
| A64R5107 | 315-0302-00 | | RES.,FXD,CMPSN:3K OHM,5%,0.25W | 01121 | CB3025 |
| A64R5109 | 321-0378-00 | | RES.,FXD,FILM:84.5K OHM,1%,0.125W | 91637 | MFF1816G84501F |
| A64R6034 | 315-0101-00 | | RES.,FXD,CMPSN:100 OHM,5%,0.25W | 01121 | CB1015 |
| A64R6071 | 321-0335-00 | | RES.,FXD,FILM:30.1K OHM,1%,0.125W | 91637 | CMF55116G30101F |
| A64R6072 | 321-0335-00 | | RES.,FXD,FILM:30.1K OHM,1%,0.125W | 91637 | CMF55116G30101F |
| A64R6073 | 321-0335-00 | | RES.,FXD,FILM:30.1K OHM,1%,0.125W | 91637 | CMF55116G30101F |
| A64R6081 | 321-0335-00 | | RES.,FXD,FILM:30.1K OHM,1%,0.125W | 91637 | CMF55116G30101F |
| A64R6082 | 315-0102-00 | | RES.,FXD,CMPSN:1K OHM,5%,0.25W | 01121 | CB1025 |
| A64R6084 | 321-0381-00 | | RES.,FXD,FILM:90.9K OHM,1%,0.125W | 91637 | MFF1816G90901F |
| A64R6085 | 321-0685-00 | | RES.,FXD,FILM:30K OHM,0.5%,0.125W | 91637 | MFF1816D30001D |
| A64R7021 | 315-0512-00 | | RES.,FXD,CMPSN:5.1K OHM,5%,0.25W | 01121 | CB5125 |
| A64R7022 | 315-0512-00 | | RES.,FXD,CMPSN:5.1K OHM,5%,0.25W | 01121 | CB5125 |
| A64R7023 | 315-0512-00 | | RES.,FXD,CMPSN:5.1K OHM,5%,0.25W | 01121 | CB5125 |
| A64R7031 | 315-0101-00 | | RES.,FXD,CMPSN:100 OHM,5%,0.25W | 01121 | CB1015 |
| A64R7032 | 321-0439-00 | | RES.,FXD,FILM:365K OHM,1%,0.125W | 91637 | MFF1816G36502F |
| A64R7034 | 321-0306-00 | | RES.,FXD,FILM:15K OHM,1%,0.125W | 91637 | MFF1816G15001F |
| A64R7051 | 321-0335-00 | | RES.,FXD,FILM:30.1K OHM,1%,0.125W | 91637 | CMF55116G30101F |
| A64R7078 | 315-0100-00 | | RES.,FXD,CMPSN:10 OHM,5%,0.25W | 01121 | CB1005 |
| A64R7079 | 315-0100-00 | | RES.,FXD,CMPSN:10 OHM,5%,0.25W | 01121 | CB1005 |
| A64R7081 | 321-0335-00 | | RES.,FXD,FILM:30.1K OHM,1%,0.125W | 91637 | CMF55116G30101F |
| A64R7082 | 315-0102-00 | | RES.,FXD,CMPSN:1K OHM,5%,0.25W | 01121 | CB1025 |
| A64R7086 | 321-0381-00 | | RES.,FXD,FILM:90.9K OHM,1%,0.125W | 91637 | MFF1816G90901F |
| A64R7089 | 321-0381-00 | | RES.,FXD,FILM:90.9K OHM,1%,0.125W | 91637 | MFF1816G90901F |
| A64R7091 | 321-0381-00 | | RES.,FXD,FILM:90.9K OHM,1%,0.125W | 91637 | MFF1816G90901F |
| A64R7092 | 315-0100-00 | | RES.,FXD,CMPSN:10 OHM,5%,0.25W | 01121 | CB1005 |
| A64R7101 | 321-0320-00 | | RES.,FXD,FILM:21K OHM,1%,0.125W | 91637 | MFF1816G21001F |
| A64R7102 | 321-0285-00 | | RES.,FXD,FILM:9.09K OHM,1%,0.125W | 91637 | MFF1816G90900F |
| A64R7107 | 321-0313-00 | | RES.,FXD,FILM:17.8K OHM,1%,0.125W | 91637 | MFF1816G17801F |
| A64R7108 | 321-0380-00 | | RES.,FXD,FILM:88.7K OHM,1%,0.125W | 91637 | MFF1816G88701F |
| A64R8071 | 315-0104-00 | | RES.,FXD,CMPSN:100K OHM,5%,0.25W | 01121 | CB1045 |
| A64U2060 | 156-0742-02 | | MICROCIRCUIT,LI:OPERATIONAL AMPLIFIER,SEL | 01295 | LM318JG |
| A64U2062 | 156-0742-02 | | MICROCIRCUIT,LI:OPERATIONAL AMPLIFIER,SEL | 01295 | LM318JG |
| A64U6024 | 156-1226-00 | | MICROCIRCUIT,LI:DUAL COMPARATOR,14 DIP | 34335 | AM319D |
| A64U6055 | 156-1211-00 | | MICROCKT,INTFC:QUAD SPST SWITCH,2NC,2NO | 80009 | 156-1211-00 |
| A64U6065 | 156-0742-02 | | MICROCIRCUIT,LI:OPERATIONAL AMPLIFIER,SEL | 01295 | LM318JG |
| A64U6073 | 156-0742-02 | | MICROCIRCUIT,LI:OPERATIONAL AMPLIFIER,SEL | 01295 | LM318JG |
| A64U6093 | 156-0742-02 | | MICROCIRCUIT,LI:OPERATIONAL AMPLIFIER,SEL | 01295 | LM318JG |
| A64U6102 | 156-0742-02 | | MICROCIRCUIT,LI:OPERATIONAL AMPLIFIER,SEL | 01295 | LM318JG |
| A64U7055 | 156-1211-00 | | MICROCKT,INTFC:QUAD SPST SWITCH,2NC,2NO | 80009 | 156-1211-00 |
| A64U7065 | 156-0742-02 | | MICROCIRCUIT,LI:OPERATIONAL AMPLIFIER,SEL | 01295 | LM318JG |
| A64U7073 | 156-0158-04 | | MICROCIRCUIT,LI:DUAL OPERATIONAL AMPLIFIER | 01295 | N99320JG |
| A64VR1035 | 152-0279-00 | | SEMICONV DEVICE:ZENER,0.4W,5.1V,5% | 04713 | SZG35010RL |
| A64VR3074 | 152-0279-00 | | SEMICONV DEVICE:ZENER,0.4W,5.1V,5% | 04713 | SZG35010RL |

Replaceable Electronic Parts - 496/496P Service Vol.2

| Component No. | Tektronix Part No. | Serial/Model No. Eff Dscont | Name & Description | Mfr Code | Mfr Part Number |
|---------------|--------------------|-----------------------------|---|----------|------------------|
| A66 | 670-5544-00 | | CKT BOARD ASSY:CRT READOUT | 80009 | 670-5544-00 |
| A66C1012 | 283-0111-00 | | CAP.,FXD,CER DI:0.1UF,20%,50V | 56289 | 273C11 |
| A66C1018 | 283-0111-00 | | CAP.,FXD,CER DI:0.1UF,20%,50V | 56289 | 273C11 |
| A66C1022 | 283-0111-00 | | CAP.,FXD,CER DI:0.1UF,20%,50V | 56289 | 273C11 |
| A66C1034 | 283-0111-00 | | CAP.,FXD,CER DI:0.1UF,20%,50V | 56289 | 273C11 |
| A66C1036 | 283-0111-00 | | CAP.,FXD,CER DI:0.1UF,20%,50V | 56289 | 273C11 |
| A66C1041 | 283-0196-00 | | CAP.,FXD,CER DI:270PF,10%,50V | 72982 | 8101B057X7R0271K |
| A66C1042 | 283-0032-00 | | CAP.,FXD,CER DI:470PF,5%,500V | 59660 | 0831085Z5E00471J |
| A66C1048 | 283-0111-00 | | CAP.,FXD,CER DI:0.1UF,20%,50V | 56289 | 273C11 |
| A66C2012 | 283-0111-00 | | CAP.,FXD,CER DI:0.1UF,20%,50V | 56289 | 273C11 |
| A66C2013 | 283-0204-00 | | CAP.,FXD,CER DI:0.01UF,20%,50V | 96733 | R2676 |
| A66C2014 | 283-0111-00 | | CAP.,FXD,CER DI:0.1UF,20%,50V | 56289 | 273C11 |
| A66C2015 | 283-0111-00 | | CAP.,FXD,CER DI:0.1UF,20%,50V | 56289 | 273C11 |
| A66C2016 | 283-0111-00 | | CAP.,FXD,CER DI:0.1UF,20%,50V | 56289 | 273C11 |
| A66C2017 | 283-0111-00 | | CAP.,FXD,CER DI:0.1UF,20%,50V | 56289 | 273C11 |
| A66C2034 | 283-0111-00 | | CAP.,FXD,CER DI:0.1UF,20%,50V | 56289 | 273C11 |
| A66C2036 | 283-0111-00 | | CAP.,FXD,CER DI:0.1UF,20%,50V | 56289 | 273C11 |
| A66C2038 | 283-0032-00 | | CAP.,FXD,CER DI:470PF,5%,500V | 59660 | 0831085Z5E00471J |
| A66C2044 | 283-0111-00 | | CAP.,FXD,CER DI:0.1UF,20%,50V | 56289 | 273C11 |
| A66C3014 | 283-0111-00 | | CAP.,FXD,CER DI:0.1UF,20%,50V | 56289 | 273C11 |
| A66C3015 | 283-0111-00 | | CAP.,FXD,CER DI:0.1UF,20%,50V | 56289 | 273C11 |
| A66C3021 | 283-0111-00 | | CAP.,FXD,CER DI:0.1UF,20%,50V | 56289 | 273C11 |
| A66C3022 | 283-0204-00 | | CAP.,FXD,CER DI:0.01UF,20%,50V | 96733 | R2676 |
| A66C3023 | 283-0111-00 | | CAP.,FXD,CER DI:0.1UF,20%,50V | 56289 | 273C11 |
| A66C3025 | 283-0111-00 | | CAP.,FXD,CER DI:0.1UF,20%,50V | 56289 | 273C11 |
| A66C3026 | 290-0517-00 | | CAP.,FXD,ELCTLT:6.8UF,20%,35V | 56289 | 196D685X0035KA1 |
| A66C3027 | 283-0111-00 | | CAP.,FXD,CER DI:0.1UF,20%,50V | 56289 | 273C11 |
| A66C3031 | 283-0111-00 | | CAP.,FXD,CER DI:0.1UF,20%,50V | 56289 | 273C11 |
| A66C3032 | 290-0535-00 | | CAP.,FXD,ELCTLT:33UF,20%,10V | 56289 | 196D336X0010KA1 |
| A66C3033 | 290-0517-00 | | CAP.,FXD,ELCTLT:6.8UF,20%,35V | 56289 | 196D685X0035KA1 |
| A66C3035 | 290-0517-00 | | CAP.,FXD,ELCTLT:6.8UF,20%,35V | 56289 | 196D685X0035KA1 |
| A66C3036 | 285-0643-00 | | CAP.,FXD,PLSTC:0.0047UF,5%,100V | 84411 | TEK-180 47251 |
| A66CR1041 | 152-0322-00 | | SEMICONV DEVICE:SILICON,15V,HOT CARRIER | 50434 | 5082-2672 |
| A66L3028 | 108-0598-00 | | COIL,RF:200UH | 80009 | 108-0598-00 |
| A66L3032 | 108-0598-00 | | COIL,RF:200UH | 80009 | 108-0598-00 |
| A66L3034 | 108-0598-00 | | COIL,RF:200UH | 80009 | 108-0598-00 |
| A66R1012 | 315-0102-00 | | RES.,FXD,CMPSN:1K OHM,5%,0.25W | 01121 | CB1025 |
| A66R1036 | 315-0103-00 | | RES.,FXD,CMPSN:10K OHM,5%,0.25W | 01121 | CB1035 |
| A66R1041 | 315-0103-00 | | RES.,FXD,CMPSN:10K OHM,5%,0.25W | 01121 | CB1035 |
| A66R1042 | 321-0307-00 | | RES.,FXD,FILM:15.4K OHM,1%,0.125W | 91637 | MFF1816G15401F |
| A66R2012 | 321-0277-08 | | RES.,FXD,FILM:7.5K OHM,1%,0.125W | 24546 | NC55C7501F |
| A66R2013 | 321-0277-08 | | RES.,FXD,FILM:7.5K OHM,1%,0.125W | 24546 | NC55C7501F |
| A66R2015 | 321-0277-08 | | RES.,FXD,FILM:7.5K OHM,1%,0.125W | 24546 | NC55C7501F |
| A66R2016 | 321-0277-08 | | RES.,FXD,FILM:7.5K OHM,1%,0.125W | 24546 | NC55C7501F |
| A66R2036 | 315-0103-00 | | RES.,FXD,CMPSN:10K OHM,5%,0.25W | 01121 | CB1035 |
| A66R2037 | 315-0183-00 | | RES.,FXD,CMPSN:18K OHM,5%,0.25W | 01121 | CB1835 |
| A66R2038 | 315-0103-00 | | RES.,FXD,CMPSN:10K OHM,5%,0.25W | 01121 | CB1035 |
| A66R2039 | 321-0359-00 | | RES.,FXD,FILM:53.6K OHM,1%,0.125W | 91637 | MFF1816G53601F |
| A66R2042 | 315-0103-00 | | RES.,FXD,CMPSN:10K OHM,5%,0.25W | 01121 | CB1035 |
| A66R3014 | 321-0256-00 | | RES.,FXD,FILM:4.53K OHM,1%,0.125W | 91637 | MFF1816G45300F |
| A66R3015 | 321-0333-00 | | RES.,FXD,FILM:28.7K OHM,1%,0.125W | 91637 | MFF1816G28701F |
| A66R3022 | 321-0242-00 | | RES.,FXD,FILM:3.24K OHM,1%,0.125W | 91637 | MFF1816G32400F |
| A66R3023 | 321-0684-00 | | RES.,FXD,FILM:15K OHM,0.5%,0.125W | 91637 | MFF1816D15001D |
| A66R3032 | 315-0103-00 | | RES.,FXD,CMPSN:10K OHM,5%,0.25W | 01121 | CB1035 |
| A66U1014 | 156-0469-02 | | MICROCIRCUIT,DI:3/8 LINE DCDR | 01295 | SN74LS138NP3 |

| Component No. | Tektronix Part No. | Serial/Model No. Eff Dscont | Name & Description | Mfr Code | Mfr Part Number |
|---------------|--------------------|-----------------------------|---|----------|-----------------|
| A66U1018 | 156-0385-02 | | MICROCIRCUIT,DI:HEX INVERTER | 01295 | SN74LS04 |
| A66U1022 | 156-0386-02 | | MICROCIRCUIT,DI:TRIPLE 3-INP NAND GATE | 27014 | DM74LS10N |
| A66U1024 | 156-0956-02 | | MICROCIRCUIT,DI:OCTAL BFR W/3 STATE OUT | 01295 | SN74LS244NP3 |
| A66U1026 | 156-0716-00 | | MICROCIRCUIT,DI:RAM,128 X 8 STATIC | 04713 | MCM6810S |
| A66U1028 | 156-1170-00 | | MICROCIRCUIT,DI:ROM,CHAR GEN | 27014 | DM8878CAB/N |
| A66U1036 | 156-0391-02 | | MICROCIRCUIT,DI:HEX LATCH W/CLEAR | 01295 | SN74LS174 |
| A66U1038 | 156-0480-02 | | MICROCIRCUIT,DI:QUAD 2 INP & GATE | 01295 | SN74LS08NP3 |
| A66U2012 | 156-0844-02 | | MICROCIRCUIT,DI:SYN 4 BIT CNTR,SCRN | 01295 | SN74LS161A |
| A66U2016 | 156-0844-02 | | MICROCIRCUIT,DI:SYN 4 BIT CNTR,SCRN | 01295 | SN74LS161A |
| A66U2018 | 156-0844-02 | | MICROCIRCUIT,DI:SYN 4 BIT CNTR,SCRN | 01295 | SN74LS161A |
| A66U2022 | 156-1255-00 | | MICROCIRCUIT,LI:D/A CONVERTER | 04713 | DAC-08HQ |
| A66U2024 | 156-0982-03 | | MICROCIRCUIT,DI:OCTAL-D-EDGE FF,SCRN | 01295 | SN74LS374 N3 |
| A66U2028 | 156-0956-02 | | MICROCIRCUIT,DI:OCTAL BFR W/3 STATE OUT | 01295 | SN74LS244NP3 |
| A66U2032 | 156-0479-02 | | MICROCIRCUIT,DI:QUAD 2-INP OR GATE | 01295 | SN74LS32NP3 |
| A66U2034 | 156-0392-03 | | MICROCIRCUIT,DI:QUAD LATCH W/CLEAR | 01295 | SN74S175NP3 |
| A66U2036 | 156-1059-01 | | MICROCIRCUIT,DI:DUAL J-K EDGE TRIGGERED | 01295 | SN74LS109A |
| A66U2038 | 156-0469-02 | | MICROCIRCUIT,DI:3/8 LINE DCDR | 01295 | SN74LS138NP3 |
| A66U2042 | 156-0733-02 | | MICROCIRCUIT,DI:DUAL MONOSTABLE MV,SCRN | 04713 | SN74LS221N/J |
| A66U2044 | 156-0733-02 | | MICROCIRCUIT,DI:DUAL MONOSTABLE MV,SCRN | 04713 | SN74LS221N/J |
| A66U3012 | 156-1255-00 | | MICROCIRCUIT,LI:D/A CONVERTER | 04713 | DAC-08HQ |
| A66U3018 | 156-1211-00 | | MICROCKT,INTFC:QUAD SPST SWITCH,2NC,2NO | 80009 | 156-1211-00 |

Replaceable Electrical Parts—496/496P Service Vol.2

| Component No. | Tektronix Part No. | Serial/Model No. Eff Dscont | Name & Description | Mfr Code | Mfr Part Number |
|---------------|--------------------|-----------------------------|-----------------------------------|----------|-----------------|
| A68 | 644-0141-02 | | VAR RESOLN KIT:#2 | 80009 | 644-0141-02 |
| A68U3041 | 156-0277-00 | | MICROCIRCUIT,LI-VOLTAGE REGULATOR | 07263 | MICROA7805UC |
| A68A1 | 670-5536-02 | | CKT BOARD ASSY:#2 VR MOTHER | 80009 | 670-5536-02 |
| A68A1C2011 | 283-0111-00 | | CAP.,FXD,CER DI:0.1UF,20%,50V | 56289 | 273C11 |
| A68A1C2015 | 283-0111-00 | | CAP.,FXD,CER DI:0.1UF,20%,50V | 56289 | 273C11 |
| A68A1C2018 | 283-0111-00 | | CAP.,FXD,CER DI:0.1UF,20%,50V | 56289 | 273C11 |
| A68A1C2023 | 283-0204-00 | | CAP.,FXD,CER DI:0.01UF,20%,50V | 96733 | R2676 |
| A68A1C2033 | 283-0204-00 | | CAP.,FXD,CER DI:0.01UF,20%,50V | 96733 | R2676 |
| A68A1C3019 | 283-0111-00 | | CAP.,FXD,CER DI:0.1UF,20%,50V | 56289 | 273C11 |
| A68A1C3027 | 283-0111-00 | | CAP.,FXD,CER DI:0.1UF,20%,50V | 56289 | 273C11 |
| A68A1C3041 | 290-0340-00 | | CAP.,FXD,ELCTLT:10UF,10%,50V | 56289 | 109D106X9050C2 |
| A68A1C3042 | 283-0111-00 | | CAP.,FXD,CER DI:0.1UF,20%,50V | 56289 | 273C11 |
| A68A1C4027 | 283-0111-00 | | CAP.,FXD,CER DI:0.1UF,20%,50V | 56289 | 273C11 |
| A68A1C4035 | 283-0204-00 | | CAP.,FXD,CER DI:0.01UF,20%,50V | 96733 | R2676 |
| A68A1C4037 | 283-0204-00 | | CAP.,FXD,CER DI:0.01UF,20%,50V | 96733 | R2676 |
| A68A1C4038 | 283-0204-00 | | CAP.,FXD,CER DI:0.01UF,20%,50V | 96733 | R2676 |
| A68A1C4039 | 283-0111-00 | | CAP.,FXD,CER DI:0.1UF,20%,50V | 56289 | 273C11 |
| A68A1CR3022 | 152-0141-02 | | SEMICONV DEVICE:SILICON,30V,150MA | 01295 | 1N4152R |
| A68A1CR3023 | 152-0141-02 | | SEMICONV DEVICE:SILICON,30V,150MA | 01295 | 1N4152R |
| A68A1CR3024 | 152-0141-02 | | SEMICONV DEVICE:SILICON,30V,150MA | 01295 | 1N4152R |
| A68A1CR3025 | 152-0141-02 | | SEMICONV DEVICE:SILICON,30V,150MA | 01295 | 1N4152R |
| A68A1CR3026 | 152-0141-02 | | SEMICONV DEVICE:SILICON,30V,150MA | 01295 | 1N4152R |
| A68A1CR3027 | 152-0141-02 | | SEMICONV DEVICE:SILICON,30V,150MA | 01295 | 1N4152R |
| A68A1CR3031 | 152-0141-02 | | SEMICONV DEVICE:SILICON,30V,150MA | 01295 | 1N4152R |
| A68A1CR3033 | 152-0141-02 | | SEMICONV DEVICE:SILICON,30V,150MA | 01295 | 1N4152R |
| A68A1CR3034 | 152-0141-02 | | SEMICONV DEVICE:SILICON,30V,150MA | 01295 | 1N4152R |
| A68A1CR4029 | 152-0141-02 | | SEMICONV DEVICE:SILICON,30V,150MA | 01295 | 1N4152R |
| A68A1L4025 | 108-0395-00 | | COIL,RF:64UH | 80009 | 108-0395-00 |
| A68A1L4031 | 108-0395-00 | | COIL,RF:64UH | 80009 | 108-0395-00 |
| A68A1Q3035 | 151-0302-00 | | TRANSISTOR:SILICON,NPN | 07263 | S038487 |
| A68A1Q3036 | 151-0136-00 | | TRANSISTOR:SILICON,NPN | 02735 | 35495 |
| A68A1Q4035 | 151-0302-00 | | TRANSISTOR:SILICON,NPN | 07263 | S038487 |
| A68A1Q4037 | 151-0302-00 | | TRANSISTOR:SILICON,NPN | 07263 | S038487 |
| A68A1R2014 | 315-0102-00 | | RES.,FXD,CMPSN:1K OHM,5%,0.25W | 01121 | CB1025 |
| A68A1R2026 | 315-0470-00 | | RES.,FXD,CMPSN:47 OHM,5%,0.25W | 01121 | CB4705 |
| A68A1R2031 | 311-0978-00 | | RES.,VAR,NONWIR:250 OHM,10%,0.50W | 73138 | 82-4-2 |
| A68A1R2033 | 321-0756-00 | | RES.,FXD,FILM:50K OHM,1%,0.125W | 24546 | NA55D5002F |
| A68A1R2035 | 321-0289-00 | | RES.,FXD,FILM:10K OHM,1%,0.125W | 91637 | MFF1816G10001F |
| A68A1R2038 | 321-0289-00 | | RES.,FXD,FILM:10K OHM,1%,0.125W | 91637 | MFF1816G10001F |
| A68A1R3014 | 315-0102-00 | | RES.,FXD,CMPSN:1K OHM,5%,0.25W | 01121 | CB1025 |
| A68A1R3015 | 315-0102-00 | | RES.,FXD,CMPSN:1K OHM,5%,0.25W | 01121 | CB1025 |
| A68A1R3019 | 311-0978-00 | | RES.,VAR,NONWIR:250 OHM,10%,0.50W | 73138 | 82-4-2 |
| A68A1R3020 | 321-0239-00 | | RES.,FXD,FILM:3.01K OHM,1%,0.125W | 91637 | MFF1816G30100F |
| A68A1R3021 | 321-0239-00 | | RES.,FXD,FILM:3.01K OHM,1%,0.125W | 91637 | MFF1816G30100F |
| A68A1R3022 | 311-0978-00 | | RES.,VAR,NONWIR:250 OHM,10%,0.50W | 73138 | 82-4-2 |
| A68A1R3023 | 321-0239-00 | | RES.,FXD,FILM:3.01K OHM,1%,0.125W | 91637 | MFF1816G30100F |
| A68A1R3024 | 311-0978-00 | | RES.,VAR,NONWIR:250 OHM,10%,0.50W | 73138 | 82-4-2 |
| A68A1R3025 | 321-0239-00 | | RES.,FXD,FILM:3.01K OHM,1%,0.125W | 91637 | MFF1816G30100F |
| A68A1R3026 | 311-0978-00 | | RES.,VAR,NONWIR:250 OHM,10%,0.50W | 73138 | 82-4-2 |
| A68A1R3027 | 321-0239-00 | | RES.,FXD,FILM:3.01K OHM,1%,0.125W | 91637 | MFF1816G30100F |
| A68A1R3028 | 311-0978-00 | | RES.,VAR,NONWIR:250 OHM,10%,0.50W | 73138 | 82-4-2 |
| A68A1R3029 | 311-0978-00 | | RES.,VAR,NONWIR:250 OHM,10%,0.50W | 73138 | 82-4-2 |

| Component No. | Tektronix Part No. | Serial/Model No. Eff Dscont | Name & Description | Mfr Code | Mfr Part Number |
|---------------|--------------------|-----------------------------|--|----------|-----------------|
| A68A1R3030 | 311-0978-00 | | RES.,VAR, NONWIR:250 OHM,10%,0.50W | 73138 | 82-4-2 |
| A68A1R3031 | 311-0978-00 | | RES.,VAR, NONWIR:250 OHM,10%,0.50W | 73138 | 82-4-2 |
| A68A1R3032 | 311-0978-00 | | RES.,VAR, NONWIR:250 OHM,10%,0.50W | 73138 | 82-4-2 |
| A68A1R3033 | 321-0239-00 | | RES.,FXD,FILM:3.01K OHM,1%,0.125W | 91637 | MFF1816G30100F |
| A68A1R3034 | 311-0978-00 | | RES.,VAR, NONWIR:250 OHM,10%,0.50W | 73138 | 82-4-2 |
| A68A1R3035 | 315-0103-00 | | RES.,FXD,CMPSN:10K OHM,5%,0.25W | 01121 | CB1035 |
| A68A1R3036 | 321-0239-00 | | RES.,FXD,FILM:3.01K OHM,1%,0.125W | 91637 | MFF1816G30100F |
| A68A1R3037 | 315-0222-00 | | RES.,FXD,CMPSN:2.2K OHM,5%,0.25W | 01121 | CB2225 |
| A68A1R3038 | 321-0239-00 | | RES.,FXD,FILM:3.01K OHM,1%,0.125W | 91637 | MFF1816G30100F |
| A68A1R3039 | 321-0260-00 | | RES.,FXD,FILM:4.99K OHM,1%,0.125W | 91637 | MFF1816G49900F |
| A68A1R3041 | 321-0289-00 | | RES.,FXD,FILM:10K OHM,1%,0.125W | 91637 | MFF1816G10001F |
| A68A1R3042 | 321-0289-00 | | RES.,FXD,FILM:10K OHM,1%,0.125W | 91637 | MFF1816G10001F |
| A68A1R3043 | 315-0103-00 | | RES.,FXD,CMPSN:10K OHM,5%,0.25W | 01121 | CB1035 |
| A68A1R3044 | 315-0103-00 | | RES.,FXD,CMPSN:10K OHM,5%,0.25W | 01121 | CB1035 |
| A68A1R3045 | 315-0222-00 | | RES.,FXD,CMPSN:2.2K OHM,5%,0.25W | 01121 | CB2225 |
| A68A1R4026 | 321-0239-00 | | RES.,FXD,FILM:3.01K OHM,1%,0.125W | 91637 | MFF1816G30100F |
| A68A1R4029 | 315-0222-00 | | RES.,FXD,CMPSN:2.2K OHM,5%,0.25W | 01121 | CB2225 |
| A68A1R4031 | 315-0103-00 | | RES.,FXD,CMPSN:10K OHM,5%,0.25W | 01121 | CB1035 |
| A68A1R4039 | 315-0100-00 | | RES.,FXD,CMPSN:10 OHM,5%,0.25W | 01121 | CB1005 |
| A68A1U3010 | 156-0913-02 | | MICROCIRCUIT,DI:OCTAL D FF,BURN-IN | 04713 | SN74LS377NDS |
| A68A1U3017 | 156-0913-02 | | MICROCIRCUIT,DI:OCTAL D FF,BURN-IN | 04713 | SN74LS377NDS |
| A68A1U3023 | 156-1235-00 | | MICROCIRCUIT,DI:BCD TO DECIMAL DECODER/DR | 80009 | 156-1235-00 |
| A68A1U3038 | 156-0158-04 | | MICROCIRCUIT,LI:DUAL OPERATIONAL AMPLIFIER | 01295 | N99320JG |
| A68A1U4022 | 156-0469-02 | | MICROCIRCUIT,DI:3/8 LINE DC DR | 01295 | SN74LS138NP3 |

| Component No. | Tektronix Part No. | Serial/Model No. Eff | Dscont | Name & Description | Mfr Code | Mfr Part Number |
|---------------|--------------------|----------------------|---------|---------------------------------------|----------|------------------|
| A68A2 | 670-5534-04 | B010100 | B010364 | CKT BOARD ASSY:2ND FILTER SELECT | 80009 | 670-5534-04 |
| A68A2 | ----- | | | (XTALS NOT INCLUDED WITH THIS CKT BD) | | |
| A68A2 | 670-5534-05 | B010365 | B010469 | CKT BOARD ASSY:2ND FILTER SELECT | 80009 | 670-5534-05 |
| A68A2 | ----- | | | (XTALS NOT INCLUDED WITH THIS CKT BD) | | |
| A68A2 | 670-5534-06 | B010470 | | CKT BOARD ASSY.: 2ND FILTER SELECT | 80009 | 670-5534-06 |
| A68A2 | ----- | | | (XTALS NOT INCLUDED WITH THIS CKT BD) | | |
| A68A2C1015 | 283-0204-00 | | | CAP.,FXD,CER DI:0.01UF,20%,50V | 96733 | R2676 |
| A68A2C1025 | 283-0204-00 | | | CAP.,FXD,CER DI:0.01UF,20%,50V | 96733 | R2676 |
| A68A2C1035 | 283-0204-00 | | | CAP.,FXD,CER DI:0.01UF,20%,50V | 96733 | R2676 |
| A68A2C1041 | 283-0204-00 | | | CAP.,FXD,CER DI:0.01UF,20%,50V | 96733 | R2676 |
| A68A2C1047 | 283-0204-00 | | | CAP.,FXD,CER DI:0.01UF,20%,50V | 96733 | R2676 |
| A68A2C1059 | 283-0204-00 | | | CAP.,FXD,CER DI:0.01UF,20%,50V | 96733 | R2676 |
| A68A2C1060 | 283-0204-00 | | | CAP.,FXD,CER DI:0.01UF,20%,50V | 96733 | R2676 |
| A68A2C2016 | 283-0204-00 | | | CAP.,FXD,CER DI:0.01UF,20%,50V | 96733 | R2676 |
| A68A2C2018 | 283-0204-00 | | | CAP.,FXD,CER DI:0.01UF,20%,50V | 96733 | R2676 |
| A68A2C2019 | 283-0204-00 | | | CAP.,FXD,CER DI:0.01UF,20%,50V | 96733 | R2676 |
| A68A2C2028 | 283-0204-00 | | | CAP.,FXD,CER DI:0.01UF,20%,50V | 96733 | R2676 |
| A68A2C2030 | 283-0204-00 | | | CAP.,FXD,CER DI:0.01UF,20%,50V | 96733 | R2676 |
| A68A2C2033 | 283-0204-00 | | | CAP.,FXD,CER DI:0.01UF,20%,50V | 96733 | R2676 |
| A68A2C2041 | 283-0204-00 | | | CAP.,FXD,CER DI:0.01UF,20%,50V | 96733 | R2676 |
| A68A2C2050 | 281-0245-00 | | | CAP.,VAR,CER DI:7.5-50PF,400V | 91293 | 9694 |
| A68A2C2054 | 283-0204-00 | | | CAP.,FXD,CER DI:0.01UF,20%,50V | 96733 | R2676 |
| A68A2C2063 | 283-0204-00 | | | CAP.,FXD,CER DI:0.01UF,20%,50V | 96733 | R2676 |
| A68A2C2064 | 283-0204-00 | | | CAP.,FXD,CER DI:0.01UF,20%,50V | 96733 | R2676 |
| A68A2C2070 | 283-0111-00 | | | CAP.,FXD,CER DI:0.1UF,20%,50V | 56289 | 273C11 |
| A68A2C3025 | 283-0204-00 | | | CAP.,FXD,CER DI:0.01UF,20%,50V | 96733 | R2676 |
| A68A2C3048 | 281-0620-00 | | | CAP.,FXD,CER DI:21PF,1%,500V | 59660 | 301-000C0G0210F |
| A68A2C3063 | 283-0204-00 | | | CAP.,FXD,CER DI:0.01UF,20%,50V | 96733 | R2676 |
| A68A2C3065 | 283-0204-00 | | | CAP.,FXD,CER DI:0.01UF,20%,50V | 96733 | R2676 |
| A68A2C3067 | 283-0204-00 | | | CAP.,FXD,CER DI:0.01UF,20%,50V | 96733 | R2676 |
| A68A2C4049 | 281-0619-00 | | | CAP.,FXD,CER DI:1.2PF,+/-0.1PF,200V | 59660 | 374 018 C0K0129B |
| A68A2C4050 | 283-0640-00 | B010100 | B010469 | CAP.,FXD,MICA D:160PF,1%,100V | 00853 | D151E161F0 |
| A68A2C4050 | 283-0899-00 | B010470 | | CAP.,FXD,CER DI:160PF,5%,50V | 51642 | 300-050-NP0-161J |
| A68A2C5054 | 283-0640-00 | B010100 | B010470 | CAP.,FXD,MICA D:160PF,1%,100V | 00853 | D151E161F0 |
| A68A2C5054 | 283-0899-00 | B010470 | | CAP.,FXD,CER DI:160PF,5%,50V | 51642 | 300-050-NP0-161J |
| A68A2C5055 | 281-0245-00 | | | CAP.,VAR,CER DI:7.5-50PF,400V | 91293 | 9694 |
| A68A2C6011 | 281-0182-00 | | | CAP.,VAR,PLSTC:1.8-10PF,500V | 80031 | 2805D1R810BH02F0 |
| A68A2C6020 | 283-0770-00 | | | CAP.,FXD,MICA D:300PF,1%,500V | 00853 | D15-5F301F0 |
| A68A2C6052 | 281-0620-00 | | | CAP.,FXD,CER DI:21PF,1%,500V | 59660 | 301-000C0G0210F |
| A68A2C6053 | 283-0204-00 | | | CAP.,FXD,CER DI:0.01UF,20%,50V | 96733 | R2676 |
| A68A2C6064 | 283-0204-00 | | | CAP.,FXD,CER DI:0.01UF,20%,50V | 96733 | R2676 |
| A68A2C6065 | 283-0204-00 | | | CAP.,FXD,CER DI:0.01UF,20%,50V | 96733 | R2676 |
| A68A2C6072 | 283-0204-00 | | | CAP.,FXD,CER DI:0.01UF,20%,50V | 96733 | R2676 |
| A68A2C6073 | 283-0204-00 | | | CAP.,FXD,CER DI:0.01UF,20%,50V | 96733 | R2676 |
| A68A2C7011 | 281-0182-00 | | | CAP.,VAR,PLSTC:1.8-10PF,500V | 80031 | 2805D1R810BH02F0 |
| A68A2C7061 | 283-0204-00 | | | CAP.,FXD,CER DI:0.01UF,20%,50V | 96733 | R2676 |
| A68A2C8016 | 283-0204-00 | | | CAP.,FXD,CER DI:0.01UF,20%,50V | 96733 | R2676 |
| A68A2C8025 | 283-0204-00 | | | CAP.,FXD,CER DI:0.01UF,20%,50V | 96733 | R2676 |
| A68A2C8027 | 283-0204-00 | | | CAP.,FXD,CER DI:0.01UF,20%,50V | 96733 | R2676 |
| A68A2C8040 | 283-0204-00 | | | CAP.,FXD,CER DI:0.01UF,20%,50V | 96733 | R2676 |
| A68A2C8045 | 283-0204-00 | | | CAP.,FXD,CER DI:0.01UF,20%,50V | 96733 | R2676 |
| A68A2C8046 | 283-0204-00 | | | CAP.,FXD,CER DI:0.01UF,20%,50V | 96733 | R2676 |
| A68A2C8057 | 283-0204-00 | | | CAP.,FXD,CER DI:0.01UF,20%,50V | 96733 | R2676 |
| A68A2C8061 | 283-0204-00 | | | CAP.,FXD,CER DI:0.01UF,20%,50V | 96733 | R2676 |
| A68A2C8075 | 283-0204-00 | | | CAP.,FXD,CER DI:0.01UF,20%,50V | 96733 | R2676 |

| Component No. | Tektronix Part No. | Serial/Model No. Eff Dscont | Name & Description | Mfr Code | Mfr Part Number |
|---------------|--------------------|-----------------------------|-------------------------------------|----------|-----------------|
| A68A2CR1017 | 152-0107-00 | | SEMICONV DEVICE:SILICON,400V,400MA | 12969 | G727 |
| A68A2CR1019 | 152-0107-00 | | SEMICONV DEVICE:SILICON,400V,400MA | 12969 | G727 |
| A68A2CR1020 | 152-0107-00 | | SEMICONV DEVICE:SILICON,400V,400MA | 12969 | G727 |
| A68A2CR1022 | 152-0107-00 | | SEMICONV DEVICE:SILICON,400V,400MA | 12969 | G727 |
| A68A2CR1025 | 152-0107-00 | | SEMICONV DEVICE:SILICON,400V,400MA | 12969 | G727 |
| A68A2CR1029 | 152-0107-00 | | SEMICONV DEVICE:SILICON,400V,400MA | 12969 | G727 |
| A68A2CR1038 | 152-0107-00 | | SEMICONV DEVICE:SILICON,400V,400MA | 12969 | G727 |
| A68A2CR1040 | 152-0107-00 | | SEMICONV DEVICE:SILICON,400V,400MA | 12969 | G727 |
| A68A2CR1050 | 152-0107-00 | | SEMICONV DEVICE:SILICON,400V,400MA | 12969 | G727 |
| A68A2CR1052 | 152-0107-00 | | SEMICONV DEVICE:SILICON,400V,400MA | 12969 | G727 |
| A68A2CR7065 | 152-0107-00 | | SEMICONV DEVICE:SILICON,400V,400MA | 12969 | G727 |
| A68A2CR7067 | 152-0107-00 | | SEMICONV DEVICE:SILICON,400V,400MA | 12969 | G727 |
| A68A2CR7070 | 152-0107-00 | | SEMICONV DEVICE:SILICON,400V,400MA | 12969 | G727 |
| A68A2CR7071 | 152-0107-00 | | SEMICONV DEVICE:SILICON,400V,400MA | 12969 | G727 |
| A68A2CR8015 | 152-0107-00 | | SEMICONV DEVICE:SILICON,400V,400MA | 12969 | G727 |
| A68A2CR8016 | 152-0107-00 | | SEMICONV DEVICE:SILICON,400V,400MA | 12969 | G727 |
| A68A2CR8035 | 152-0107-00 | | SEMICONV DEVICE:SILICON,400V,400MA | 12969 | G727 |
| A68A2CR8036 | 152-0107-00 | | SEMICONV DEVICE:SILICON,400V,400MA | 12969 | G727 |
| A68A2CR8059 | 152-0107-00 | | SEMICONV DEVICE:SILICON,400V,400MA | 12969 | G727 |
| A68A2CR8060 | 152-0107-00 | | SEMICONV DEVICE:SILICON,400V,400MA | 12969 | G727 |
| A68A2L1019 | 108-0395-00 | | COIL,RF:64UH | 80009 | 108-0395-00 |
| A68A2L1025 | 108-0395-00 | | COIL,RF:64UH | 80009 | 108-0395-00 |
| A68A2L1032 | 108-0395-00 | | COIL,RF:64UH | 80009 | 108-0395-00 |
| A68A2L1045 | 108-0395-00 | | COIL,RF:64UH | 80009 | 108-0395-00 |
| A68A2L1055 | 108-0395-00 | | COIL,RF:64UH | 80009 | 108-0395-00 |
| A68A2L2013 | 108-0395-00 | | COIL,RF:64UH | 80009 | 108-0395-00 |
| A68A2L2075 | 108-0395-00 | | COIL,RF:64UH | 80009 | 108-0395-00 |
| A68A2L3055 | 108-0964-00 | | COIL,RF:FIXED,115NH,TOROIDAL INDUCT | 80009 | 108-0964-00 |
| A68A2L4060 | 108-0964-00 | | COIL,RF:FIXED,115NH,TOROIDAL INDUCT | 80009 | 108-0964-00 |
| A68A2L6056 | 108-0395-00 | | COIL,RF:64UH | 80009 | 108-0395-00 |
| A68A2L7075 | 108-0395-00 | | COIL,RF:64UH | 80009 | 108-0395-00 |
| A68A2L8020 | 108-0395-00 | | COIL,RF:64UH | 80009 | 108-0395-00 |
| A68A2L8040 | 108-0395-00 | | COIL,RF:64UH | 80009 | 108-0395-00 |
| A68A2L8061 | 108-0395-00 | | COIL,RF:64UH | 80009 | 108-0395-00 |
| A68A2L8070 | 108-0395-00 | | COIL,RF:64UH | 80009 | 108-0395-00 |
| A68A2Q2020 | 151-0301-00 | | TRANSISTOR:SILICON,PNP | 27014 | 2N2907A |
| A68A2Q2025 | 151-0301-00 | | TRANSISTOR:SILICON,PNP | 27014 | 2N2907A |
| A68A2Q2035 | 151-0301-00 | | TRANSISTOR:SILICON,PNP | 27014 | 2N2907A |
| A68A2Q2040 | 151-0301-00 | | TRANSISTOR:SILICON,PNP | 27014 | 2N2907A |
| A68A2Q2055 | 151-0301-00 | | TRANSISTOR:SILICON,PNP | 27014 | 2N2907A |
| A68A2Q6065 | 151-0301-00 | | TRANSISTOR:SILICON,PNP | 27014 | 2N2907A |
| A68A2Q6075 | 151-0301-00 | | TRANSISTOR:SILICON,PNP | 27014 | 2N2907A |
| A68A2Q7060 | 151-0301-00 | | TRANSISTOR:SILICON,PNP | 27014 | 2N2907A |
| A68A2Q8035 | 151-0301-00 | | TRANSISTOR:SILICON,PNP | 27014 | 2N2907A |
| A68A2Q8050 | 151-0301-00 | | TRANSISTOR:SILICON,PNP | 27014 | 2N2907A |
| A68A2R1033 | 315-0121-00 | | RES.,FXD,CMPSN:120 OHM,5%,0.25W | 01121 | CB1215 |
| A68A2R1035 | 315-0332-00 | | RES.,FXD,CMPSN:3.3K OHM,5%,0.25W | 01121 | CB3325 |
| A68A2R1050 | 315-0332-00 | | RES.,FXD,CMPSN:3.3K OHM,5%,0.25W | 01121 | CB3325 |
| A68A2R1055 | 315-0121-00 | | RES.,FXD,CMPSN:120 OHM,5%,0.25W | 01121 | CB1215 |
| A68A2R1059 | 315-0103-00 | | RES.,FXD,CMPSN:10K OHM,5%,0.25W | 01121 | CB1035 |
| A68A2R1065 | 311-0622-00 | | RES.,VAR,NONWIR:100 OHM,10%,0.50W | 32997 | 3329H-G48-101 |
| A68A2R1069 | 321-0713-00 | | RES.,FXD,FILM:30 OHM,1%,0.125W | 91637 | MFF1816G30R00F |
| A68A2R2013 | 304-0681-00 | | RES.,FXD,CMPSN:680 OHM,10%,1W | 01121 | GB6811 |
| A68A2R2016 | 315-0121-00 | | RES.,FXD,CMPSN:120 OHM,5%,0.25W | 01121 | CB1215 |
| A68A2R2020 | 315-0332-00 | | RES.,FXD,CMPSN:3.3K OHM,5%,0.25W | 01121 | CB3325 |

| Tektronix Part No. | Serial/Model No. Eff Dscont | Name & Description | Mfr Code | Mfr Part Number |
|-----------------------|--------------------------------|--|-------------|-----------------|
| | 315-0121-00 | RES.,FXD,CMPSN:120 OHM,5%,0.25W | 01121 | CB1215 |
| | 315-0332-00 | RES.,FXD,CMPSN:3.3K OHM,5%,0.25W | 01121 | CB3325 |
| | 315-0103-00 | RES.,FXD,CMPSN:10K OHM,5%,0.25W | 01121 | CB1035 |
| | 315-0103-00 | RES.,FXD,CMPSN:10K OHM,5%,0.25W | 01121 | CB1035 |
| | 315-0103-00 | RES.,FXD,CMPSN:10K OHM,5%,0.25W | 01121 | CB1035 |
| | 315-0332-00 | RES.,FXD,CMPSN:3.3K OHM,5%,0.25W | 01121 | CB3325 |
| A68A2R2043 | 315-0121-00 | RES.,FXD,CMPSN:120 OHM,5%,0.25W | 01121 | CB1215 |
| A68A2R2044 | 315-0103-00 | RES.,FXD,CMPSN:10K OHM,5%,0.25W | 01121 | CB1035 |
| A68A2R2045 | 315-0103-00 | RES.,FXD,CMPSN:10K OHM,5%,0.25W | 01121 | CB1035 |
| A68A2R2047 | 321-0054-00 | RES.,FXD,FILM:35.7 OHM,5%,0.125W | 91637 | MFF1816G35R70F |
| A68A2R2048 | 321-0114-00 | RES.,FXD,FILM:150 OHM,1%,0.125W | 91637 | MFF1816G150R0F |
| A68A2R2049 | 321-0114-00 | RES.,FXD,FILM:150 OHM,1%,0.125W | 91637 | MFF1816G150R0F |
| A68A2R2059 | 315-0103-00 | RES.,FXD,CMPSN:10K OHM,5%,0.25W | 01121 | CB1035 |
| A68A2R2060 | 321-0114-00 | RES.,FXD,FILM:150 OHM,1%,0.125W | 91637 | MFF1816G150R0F |
| A68A2R2065 | 321-0032-00 | RES.,FXD,FILM:21 OHM,1%,0.125W | 91637 | MFF1816G21R00F |
| A68A2R3015 | 311-0622-00 | RES.,VAR, NONWIR:100 OHM,10%,0.50W | 32997 | 3329H-G48-101 |
| A68A2R3016 | 321-0114-00 | RES.,FXD,FILM:150 OHM,1%,0.125W | 91637 | MFF1816G150R0F |
| A68A2R3019 | 321-0032-00 | RES.,FXD,FILM:21 OHM,1%,0.125W | 91637 | MFF1816G21R00F |
| A68A2R3020 | 321-0713-00 | RES.,FXD,FILM:30 OHM,1%,0.125W | 91637 | MFF1816G30R00F |
| A68A2R3022 | 315-0103-00 | RES.,FXD,CMPSN:10K OHM,5%,0.25W | 01121 | CB1035 |
| A68A2R3024 | 315-0103-00 | RES.,FXD,CMPSN:10K OHM,5%,0.25W | 01121 | CB1035 |
| A68A2R3025 | 311-0622-00 | RES.,VAR, NONWIR:100 OHM,10%,0.50W | 32997 | 3329H-G48-101 |
| A68A2R3028 | 315-0103-00 | RES.,FXD,CMPSN:10K OHM,5%,0.25W | 01121 | CB1035 |
| A68A2R3029 | 321-0032-00 | RES.,FXD,FILM:21 OHM,1%,0.125W | 91637 | MFF1816G21R00F |
| A68A2R3031 | 321-0114-00 | RES.,FXD,FILM:150 OHM,1%,0.125W | 91637 | MFF1816G150R0F |
| A68A2R3035 | 311-0622-00 | RES.,VAR, NONWIR:100 OHM,10%,0.50W | 32997 | 3329H-G48-101 |
| A68A2R3039 | 321-0032-00 | RES.,FXD,FILM:21 OHM,1%,0.125W | 91637 | MFF1816G21R00F |
| A68A2R4016 | 321-0713-00 | RES.,FXD,FILM:30 OHM,1%,0.125W | 91637 | MFF1816G30R00F |
| A68A2R4035 | 315-0300-00 | RES.,FXD,CMPSN:30 OHM,5%,0.25W | 01121 | CB3005 |
| A68A2R4037 | 321-0114-00 | RES.,FXD,FILM:150 OHM,1%,0.125W | 91637 | MFF1816G150R0F |
| A68A2R5074 | 315-0103-00 | RES.,FXD,CMPSN:10K OHM,5%,0.25W | 01121 | CB1035 |
| A68A2R5075 | 315-0103-00 | RES.,FXD,CMPSN:10K OHM,5%,0.25W | 01121 | CB1035 |
| A68A2R6060 | 315-0332-00 | RES.,FXD,CMPSN:3.3K OHM,5%,0.25W | 01121 | CB3325 |
| A68A2R6061 | 315-0121-00 | RES.,FXD,CMPSN:120 OHM,5%,0.25W | 01121 | CB1215 |
| A68A2R6065 | 315-0103-00 | RES.,FXD,CMPSN:10K OHM,5%,0.25W | 01121 | CB1035 |
| A68A2R6066 | 315-0103-00 | RES.,FXD,CMPSN:10K OHM,5%,0.25W | 01121 | CB1035 |
| A68A2R6070 | 315-0332-00 | RES.,FXD,CMPSN:3.3K OHM,5%,0.25W | 01121 | CB3325 |
| A68A2R6075 | 315-0121-00 | RES.,FXD,CMPSN:120 OHM,5%,0.25W | 01121 | CB1215 |
| A68A2R7060 | 315-0332-00 | RES.,FXD,CMPSN:3.3K OHM,5%,0.25W | 01121 | CB3325 |
| A68A2R7061 | 315-0103-00 | RES.,FXD,CMPSN:10K OHM,5%,0.25W | 01121 | CB1035 |
| A68A2R7062 | 315-0121-00 | RES.,FXD,CMPSN:120 OHM,5%,0.25W | 01121 | CB1215 |
| A68A2R7063 | 315-0103-00 | RES.,FXD,CMPSN:10K OHM,5%,0.25W | 01121 | CB1035 |
| A68A2R8026 | 315-0332-00 | RES.,FXD,CMPSN:3.3K OHM,5%,0.25W | 01121 | CB3325 |
| A68A2R8027 | 315-0121-00 | RES.,FXD,CMPSN:120 OHM,5%,0.25W | 01121 | CB1215 |
| A68A2R8030 | 315-0103-00 | RES.,FXD,CMPSN:10K OHM,5%,0.25W | 01121 | CB1035 |
| A68A2R8035 | 315-0103-00 | RES.,FXD,CMPSN:10K OHM,5%,0.25W | 01121 | CB1035 |
| A68A2R8046 | 315-0332-00 | RES.,FXD,CMPSN:3.3K OHM,5%,0.25W | 01121 | CB3325 |
| A68A2R8049 | 315-0121-00 | RES.,FXD,CMPSN:120 OHM,5%,0.25W | 01121 | CB1215 |
| A68A2R8050 | 315-0103-00 | RES.,FXD,CMPSN:10K OHM,5%,0.25W | 01121 | CB1035 |
| A68A2R8055 | 315-0103-00 | RES.,FXD,CMPSN:10K OHM,5%,0.25W | 01121 | CB1035 |
| A68A2R8070 | 304-0681-00 | RES.,FXD,CMPSN:680 OHM,10%,1W | 01121 | GB6811 |
| A68A2T4019 | 120-1241-00 | TRANSFORMER,RF:TOROID,3 WINDS TRIFILAR | 80009 | 120-1241-00 |
| A68A2T4040 | 120-1338-00 | TRANSFORMER,RF:TOROID,2 WINDINGS | 80009 | 120-1338-00 |
| A68A2T5030 | 120-1237-00 | TRANSFORMER,RF:TOROID,2 WINDINGS | 80009 | 120-1237-00 |

| Component No. | Tektronix Part No. | Serial/Model No. Eff Dscont | Name & Description | Mfr Code | Mfr Part Number |
|---------------|-----------------------|-------------------------------------|---|-------------|-----------------|
| A68A2T6040 | 120-1237-00 | | TRANSFORMER,RF:TOROID,2 WINDINGS | 80009 | 120-1237-00 |
| A68A2T6045 | 120-1338-00 | | TRANSFORMER,RF:TOROID,2 WINDINGS | 80009 | 120-1338-00 |
| A68A2T7015 | 120-1241-00 | | TRANSFORMER,RF:TOROID,3 WINDS TRIFILAR | 80009 | 120-1241-00 |
| A68A2U3070 | 156-1235-00 | | MICROCIRCUIT,DI:BCD TO DECIMAL DECODER/DR | 80009 | 156-1235-00 |
| A68A2U3070 | ----- | | (Y5012,Y5035,Y5046,Y7019 NOT INCLUDED | | |
| A68A2U3070 | ----- | | WITH THIS CIRCUIT BOARD SEE CHASSIS PARTS | | |
| A68A2U3070 | ----- | | LIST FOR REPLACEABLE PART NUMBERS) | | |

Replaceable Electrical Parts—496/496P Service Vol.2

| Component No. | Tektronix Part No. | Serial/Model No. Eff Dscont | Name & Description | Mfr Code | Mfr Part Number |
|---------------|--------------------|-----------------------------|------------------------------------|----------|-----------------|
| A68A3 | 670-5533-02 | | CKT BOARD ASSY:BAND LEVELING | 80009 | 670-5533-02 |
| A68A4C1015 | 283-0111-00 | | CAP.,FXD,CER DI:0.1UF,20%,50V | 56289 | 273C11 |
| A68A3C1017 | 283-0111-00 | | CAP.,FXD,CER DI:0.1UF,20%,50V | 56289 | 273C11 |
| A68A3C1021 | 283-0107-00 | | CAP.,FXD,CER DI:51PF,5%,200V | 96733 | R3017 |
| A68A3C1025 | 283-0111-00 | | CAP.,FXD,CER DI:0.1UF,20%,50V | 56289 | 273C11 |
| A68A3C1032 | 283-0111-00 | | CAP.,FXD,CER DI:0.1UF,20%,50V | 56289 | 273C11 |
| A68A3C1035 | 283-0111-00 | | CAP.,FXD,CER DI:0.1UF,20%,50V | 56289 | 273C11 |
| A68A3C1039 | 283-0107-00 | | CAP.,FXD,CER DI:51PF,5%,200V | 96733 | R3017 |
| A68A3C1044 | 283-0111-00 | | CAP.,FXD,CER DI:0.1UF,20%,50V | 56289 | 273C11 |
| A68A3C2015 | 283-0111-00 | | CAP.,FXD,CER DI:0.1UF,20%,50V | 56289 | 273C11 |
| A68A3C2018 | 283-0111-00 | | CAP.,FXD,CER DI:0.1UF,20%,50V | 56289 | 273C11 |
| A68A3C2023 | 283-0111-00 | | CAP.,FXD,CER DI:0.1UF,20%,50V | 56289 | 273C11 |
| A68A3C2028 | 283-0204-00 | | CAP.,FXD,CER DI:0.01UF,20%,50V | 96733 | R2676 |
| A68A3C2029 | 283-0111-00 | | CAP.,FXD,CER DI:0.1UF,20%,50V | 56289 | 273C11 |
| A68A3C2033 | 283-0111-00 | | CAP.,FXD,CER DI:0.1UF,20%,50V | 56289 | 273C11 |
| A68A3C2034 | 283-0111-00 | | CAP.,FXD,CER DI:0.1UF,20%,50V | 56289 | 273C11 |
| A68A3C2042 | 283-0111-00 | | CAP.,FXD,CER DI:0.1UF,20%,50V | 56289 | 273C11 |
| A68A3C2043 | 283-0204-00 | | CAP.,FXD,CER DI:0.01UF,20%,50V | 96733 | R2676 |
| A68A3C2046 | 283-0111-00 | | CAP.,FXD,CER DI:0.1UF,20%,50V | 56289 | 273C11 |
| A68A3CR2021 | 152-0524-00 | | SEMICOND DEVICE:SILICON,100V,100MA | 80009 | 152-0524-00 |
| A68A3Q1025 | 151-0282-00 | | TRANSISTOR:SILICON,NPN | 80009 | 151-0282-00 |
| A68A3Q1031 | 151-0282-00 | | TRANSISTOR:SILICON,NPN | 80009 | 151-0282-00 |
| A68A3Q1033 | 151-0282-00 | | TRANSISTOR:SILICON,NPN | 80009 | 151-0282-00 |
| A68A3Q1041 | 151-0650-00 | | TRANSISTOR:SILICON,NPN | 80009 | 151-0650-00 |
| A68A3Q2015 | 151-0282-00 | | TRANSISTOR:SILICON,NPN | 80009 | 151-0282-00 |
| A68A3Q2019 | 151-0282-00 | | TRANSISTOR:SILICON,NPN | 80009 | 151-0282-00 |
| A68A3Q2046 | 151-0301-00 | | TRANSISTOR:SILICON,PNP | 27014 | 2N2907A |
| A68A3R1013 | 321-0130-00 | | RES.,FXD,FILM:221 OHM,1%,0.125W | 91637 | MFF1816G221R0F |
| A68A3R1014 | 317-0390-00 | | RES.,FXD,CMPSN:39 OHM,5%,0.125W | 01121 | BB3905 |
| A68A3R1015 | 315-0681-00 | | RES.,FXD,CMPSN:680 OHM,5%,0.25W | 01121 | CB6815 |
| A68A3R1016 | 317-0101-00 | | RES.,FXD,CMPSN:100 OHM,5%,0.125W | 01121 | BB1015 |
| A68A3R1017 | 315-0390-00 | | RES.,FXD,CMPSN:39 OHM,5%,0.25W | 01121 | CB3905 |
| A68A3R1019 | 315-0390-00 | | RES.,FXD,CMPSN:39 OHM,5%,0.25W | 01121 | CB3905 |
| A68A3R1024 | 315-0681-00 | | RES.,FXD,CMPSN:680 OHM,5%,0.25W | 01121 | CB6815 |
| A68A3R1025 | 321-0164-00 | | RES.,FXD,FILM:499 OHM,1%,0.125W | 91637 | MFF1816G499R0F |
| A68A3R1026 | 321-0194-00 | | RES.,FXD,FILM:1.02K OHM,1%,0.125W | 91637 | MFF1816G10200F |
| A68A3R1027 | 321-0065-00 | | RES.,FXD,FILM:46.4 OHM,1%,0.125W | 91637 | MFF1816G46R40F |
| A68A3R1028 | 315-0471-00 | | RES.,FXD,CMPSN:470 OHM,5%,0.25W | 01121 | CB4715 |
| A68A3R1029 | 317-0390-00 | | RES.,FXD,CMPSN:39 OHM,5%,0.125W | 01121 | BB3905 |
| A68A3R1031 | 321-0130-00 | | RES.,FXD,FILM:221 OHM,1%,0.125W | 91637 | MFF1816G221R0F |
| A68A3R1033 | 315-0681-00 | | RES.,FXD,CMPSN:680 OHM,5%,0.25W | 01121 | CB6815 |
| A68A3R1035 | 315-0681-00 | | RES.,FXD,CMPSN:680 OHM,5%,0.25W | 01121 | CB6815 |
| A68A3R1036 | 315-0220-00 | | RES.,FXD,CMPSN:22 OHM,5%,0.25W | 01121 | CB2205 |
| A68A3R1037 | 315-0220-00 | | RES.,FXD,CMPSN:22 OHM,5%,0.25W | 01121 | CB2205 |
| A68A3R1038 | 317-0101-00 | | RES.,FXD,CMPSN:100 OHM,5%,0.125W | 01121 | BB1015 |
| A68A3R1044 | 315-0101-00 | | RES.,FXD,CMPSN:100 OHM,5%,0.25W | 01121 | CB1015 |
| A68A3R1046 | 321-0065-00 | | RES.,FXD,FILM:46.4 OHM,1%,0.125W | 91637 | MFF1816G46R40F |
| A68A3R1047 | 315-0101-00 | | RES.,FXD,CMPSN:100 OHM,5%,0.25W | 01121 | CB1015 |
| A68A3R1048 | 321-0164-00 | | RES.,FXD,FILM:499 OHM,1%,0.125W | 91637 | MFF1816G499R0F |
| A68A3R2017 | 315-0152-00 | | RES.,FXD,CMPSN:1.5K OHM,5%,0.25W | 01121 | CB1525 |
| A68A3R2018 | 315-0152-00 | | RES.,FXD,CMPSN:1.5K OHM,5%,0.25W | 01121 | CB1525 |
| A68A3R2021 | 315-0470-00 | | RES.,FXD,CMPSN:47 OHM,5%,0.25W | 01121 | CB4705 |
| A68A3R2024 | 321-0058-00 | | RES.,FXD,FILM:39.2 OHM,1%,0.125W | 91637 | MFF1816G39R20F |
| A68A3R2025 | 321-0234-00 | | RES.,FXD,FILM:2.67K OHM,1%,0.125W | 91637 | MFF1816G26700F |
| A68A3R2026 | 317-0470-00 | | RES.,FXD,CMPSN:47 OHM,5%,0.125W | 01121 | BB4705 |

| Component No. | Tektronix Part No. | Serial/Model No. Eff Dscont | Name & Description | Mfr Code | Mfr Part Number |
|---------------|--------------------|-----------------------------|----------------------------------|----------|-----------------|
| A68A3R2028 | 317-0470-00 | | RES.,FXD,CMPSN:47 OHM,5%,0.125W | 01121 | BB4705 |
| A68A3R2031 | 315-0470-00 | | RES.,FXD,CMPSN:47 OHM,5%,0.25W | 01121 | CB4705 |
| A68A3R2033 | 315-0152-00 | | RES.,FXD,CMPSN:1.5K OHM,5%,0.25W | 01121 | CB1525 |
| A68A3R2034 | 315-0152-00 | | RES.,FXD,CMPSN:1.5K OHM,5%,0.25W | 01121 | CB1525 |
| A68A3R2036 | 321-0151-00 | | RES.,FXD,FILM:365 OHM,1%,0.125W | 91637 | MFF1816G365R0F |
| A68A3R2037 | 315-0102-00 | | RES.,FXD,CMPSN:1K OHM,5%,0.25W | 01121 | CB1025 |
| A68A3R2038 | 315-0821-00 | | RES.,FXD,CMPSN:820 OHM,5%,0.25W | 01121 | CB8215 |
| A68A3R2041 | 315-0104-00 | | RES.,FXD,CMPSN:100K OHM,5%,0.25W | 01121 | CB1045 |
| A68A3R2042 | 321-0051-00 | | RES.,FXD,FILM:33.2 OHM,1%,0.125W | 91637 | MFF1816G33R20F |
| A68A3R2043 | 315-0471-00 | | RES.,FXD,CMPSN:470 OHM,5%,0.25W | 01121 | CB4715 |
| A68A3R2045 | 315-0471-00 | | RES.,FXD,CMPSN:470 OHM,5%,0.25W | 01121 | CB4715 |
| A68A3R2046 | 317-0103-00 | | RES.,FXD,CMPSN:10K OHM,5%,0.125W | 01121 | BB1035 |
| A68A3T2013 | 120-0902-00 | | XFMR,TOROID:5 TURNS,BIFILAR | 80009 | 120-0902-00 |

Replaceable Electrical Parts—496/496P Service Vol.2

| Component No. | Tektronix Part No. | Serial/Model No. Eff | Discnt | Name & Description | Mfr Code | Mfr Part Number |
|---------------|--------------------|----------------------|--------|-------------------------------------|----------|-----------------|
| A68A4 | 670-5535-01 | | | CKT BOARD ASSY:POST V.R. AMPLIFIER | | |
| A68A4C1022 | 281-0167-00 | | | CAP.,VAR,CER DI:9-45PF,200V | 80009 | 670-5535-01 |
| A68A4C1023 | 283-0642-00 | | | CAP.,FXD,MICA D:33PF, +/-0.5PF,300V | 59660 | 538-011D9-45 |
| A68A4C1029 | 283-0111-00 | | | CAP.,FXD,CER DI:0.1UF,20%,50V | 00853 | D10-5E330G |
| A68A4C1033 | 283-0204-00 | | | CAP.,FXD,CER DI:0.01UF,20%,50V | 56289 | 273C11 |
| A68A4C1044 | 283-0111-00 | | | CAP.,FXD,CER DI:0.1UF,20%,50V | 96733 | R2676 |
| | | | | | 56289 | 273C11 |
| A68A4C1052 | 283-0204-00 | | | CAP.,FXD,CER DI:0.01UF,20%,50V | 96733 | R2676 |
| A68A4C2018 | 283-0628-00 | | | CAP.,FXD,MICA D:410PF,1%,500V | 00853 | D155F411F0 |
| A68A4C2023 | 283-0691-00 | | | CAP.,FXD,MICA D:650PF,1%,300V | 00853 | D153F651F0 |
| A68A4C2025 | 283-0642-00 | | | CAP.,FXD,MICA D:33PF, +/-0.5PF,300V | 00853 | D10-5E330G |
| A68A4C2026 | 281-0167-00 | | | CAP.,VAR,CER DI:9-45PF,200V | 59660 | 538-011D9-45 |
| A68A4C2033 | 283-0628-00 | | | CAP.,FXD,MICA D:410PF,1%,500V | 00853 | D155F411F0 |
| A68A4C2038 | 283-0204-00 | | | CAP.,FXD,CER DI:0.01UF,20%,50V | 96733 | R2676 |
| A68A4C2052 | 283-0204-00 | | | CAP.,FXD,CER DI:0.01UF,20%,50V | 96733 | R2676 |
| A68A4C2053 | 283-0204-00 | | | CAP.,FXD,CER DI:0.01UF,20%,50V | 96733 | R2676 |
| A68A4L2021 | 108-1042-00 | | | COIL,RF:FIXED,4.7UH | 80009 | 108-1042-00 |
| A68A4L2031 | 108-1042-00 | | | COIL,RF:FIXED,4.7UH | 80009 | 108-1042-00 |
| A68A4Q1048 | 151-0446-00 | | | TRANSISTOR:SILICON,NPN | 80009 | 151-0446-00 |
| A68A4Q2056 | 151-0302-00 | | | TRANSISTOR:SILICON,NPN | 07263 | S038487 |
| A68A4R1029 | 315-0470-00 | | | RES.,FXD,CMPSN:47 OHM,5%,0.25W | 01121 | CB4705 |
| A68A4R1039 | 315-0221-00 | | | RES.,FXD,CMPSN:220 OHM,5%,0.25W | 01121 | CB2215 |
| A68A4R1052 | 315-0561-00 | | | RES.,FXD,CMPSN:560 OHM,5%,0.25W | 01121 | CB5615 |
| A68A4R1058 | 315-0361-00 | | | RES.,FXD,CMPSN:360 OHM,5%,0.25W | 01121 | CB3615 |
| A68A4R2036 | 321-0114-00 | | | RES.,FXD,FILM:150 OHM,1%,0.125W | 91637 | MFF1816G150R0F |
| A68A4R2038 | 311-0622-00 | | | RES.,VAR,NONWIR:100 OHM,10%,0.50W | 32997 | 3329H-G48-101 |
| A68A4R2041 | 315-0681-00 | | | RES.,FXD,CMPSN:680 OHM,5%,0.25W | 01121 | CB6815 |
| A68A4R2042 | 315-0220-00 | | | RES.,FXD,CMPSN:22 OHM,5%,0.25W | 01121 | CB2205 |
| A68A4R2043 | 321-0001-00 | | | RES.,FXD,FILM:10 OHM,1%,0.125W | 75042 | CEAT0-10R00F |
| A68A4R2044 | 301-0821-00 | | | RES.,FXD,CMPSN:820 OHM,5%,0.50W | 01121 | EB8215 |
| A68A4R2045 | 301-0821-00 | | | RES.,FXD,CMPSN:820 OHM,5%,0.50W | 01121 | EB8215 |
| A68A4R2052 | 315-0681-00 | | | RES.,FXD,CMPSN:680 OHM,5%,0.25W | 01121 | CB6815 |
| A68A4R2062 | 321-0130-00 | | | RES.,FXD,FILM:221 OHM,1%,0.125W | 91637 | MFF1816G221R0F |
| A68A4T1038 | 120-0459-00 | | | XFMR,TOROID:10 TURNS,BIFILAR | 80009 | 120-0459-00 |
| A68A4T1059 | 120-1237-00 | | | TRANSFORMER,RF:TOROID,2 WINDINGS | 80009 | 120-1237-00 |
| A68A4T2063 | 120-0902-00 | | | XFMR,TOROID:5 TURNS,BIFILAR | 80009 | 120-0902-00 |

| Component No. | Tektronix Part No. | Serial/Model No. Eff Dscnt | Name & Description | Mfr Code | Mfr Part Number |
|---------------|--------------------|----------------------------|---------------------------------|----------|-----------------|
| A69 | 644-0140-02 | | VAR RESOLN KIT: | 80009 | 644-0140-02 |
| A69 | ----- | | (NO ELECTRICAL PARTS) | | |
| A69A1 | 670-5528-02 | | CKT BOARD ASSY:#1 VR MOTHER | 80009 | 670-5528-02 |
| A69A1C1066 | 283-0111-00 | | CAP.,FXD,CER DI:0.1UF,20%,50V | 56289 | 273C11 |
| A69A1C1067 | 283-0111-00 | | CAP.,FXD,CER DI:0.1UF,20%,50V | 56289 | 273C11 |
| A69A1C1068 | 283-0111-00 | | CAP.,FXD,CER DI:0.1UF,20%,50V | 56289 | 273C11 |
| A69A1C1069 | 283-0111-00 | | CAP.,FXD,CER DI:0.1UF,20%,50V | 56289 | 273C11 |
| A69A1C1075 | 283-0111-00 | | CAP.,FXD,CER DI:0.1UF,20%,50V | 56289 | 273C11 |
| A69A1C1082 | 283-0111-00 | | CAP.,FXD,CER DI:0.1UF,20%,50V | 56289 | 273C11 |
| A69A1C1083 | 283-0111-00 | | CAP.,FXD,CER DI:0.1UF,20%,50V | 56289 | 273C11 |
| A69A1C1084 | 283-0111-00 | | CAP.,FXD,CER DI:0.1UF,20%,50V | 56289 | 273C11 |
| A69A1C1085 | 283-0111-00 | | CAP.,FXD,CER DI:0.1UF,20%,50V | 56289 | 273C11 |
| A69A1C2076 | 283-0111-00 | | CAP.,FXD,CER DI:0.1UF,20%,50V | 56289 | 273C11 |
| A69A1C2086 | 283-0111-00 | | CAP.,FXD,CER DI:0.1UF,20%,50V | 56289 | 273C11 |
| A69A1C2088 | 283-0111-00 | | CAP.,FXD,CER DI:0.1UF,20%,50V | 56289 | 273C11 |
| A69A1C3019 | 283-0111-00 | | CAP.,FXD,CER DI:0.1UF,20%,50V | 56289 | 273C11 |
| A69A1C3026 | 283-0111-00 | | CAP.,FXD,CER DI:0.1UF,20%,50V | 56289 | 273C11 |
| A69A1C3028 | 283-0111-00 | | CAP.,FXD,CER DI:0.1UF,20%,50V | 56289 | 273C11 |
| A69A1C3029 | 283-0111-00 | | CAP.,FXD,CER DI:0.1UF,20%,50V | 56289 | 273C11 |
| A69A1C3035 | 283-0111-00 | | CAP.,FXD,CER DI:0.1UF,20%,50V | 56289 | 273C11 |
| A69A1C3043 | 283-0111-00 | | CAP.,FXD,CER DI:0.1UF,20%,50V | 56289 | 273C11 |
| A69A1C3048 | 283-0111-00 | | CAP.,FXD,CER DI:0.1UF,20%,50V | 56289 | 273C11 |
| A69A1C3049 | 283-0111-00 | | CAP.,FXD,CER DI:0.1UF,20%,50V | 56289 | 273C11 |
| A69A1C3062 | 283-0204-00 | | CAP.,FXD,CER DI:0.01UF,20%,50V | 96733 | R2676 |
| A69A1C3065 | 283-0204-00 | | CAP.,FXD,CER DI:0.01UF,20%,50V | 96733 | R2676 |
| A69A1C3077 | 283-0204-00 | | CAP.,FXD,CER DI:0.01UF,20%,50V | 96733 | R2676 |
| A69A1L3065 | 108-0395-00 | | COIL,RF:64UH | 80009 | 108-0395-00 |
| A69A1L3066 | 108-0395-00 | | COIL,RF:64UH | 80009 | 108-0395-00 |
| A69A1R1065 | 315-0100-00 | | RES.,FXD,CMPSN:10 OHM,5%,0.25W | 01121 | CB1005 |
| A69A1R1066 | 315-0100-00 | | RES.,FXD,CMPSN:10 OHM,5%,0.25W | 01121 | CB1005 |
| A69A1R1067 | 315-0100-00 | | RES.,FXD,CMPSN:10 OHM,5%,0.25W | 01121 | CB1005 |
| A69A1R1068 | 315-0100-00 | | RES.,FXD,CMPSN:10 OHM,5%,0.25W | 01121 | CB1005 |
| A69A1R1075 | 315-0100-00 | | RES.,FXD,CMPSN:10 OHM,5%,0.25W | 01121 | CB1005 |
| A69A1R1082 | 315-0100-00 | | RES.,FXD,CMPSN:10 OHM,5%,0.25W | 01121 | CB1005 |
| A69A1R1083 | 315-0100-00 | | RES.,FXD,CMPSN:10 OHM,5%,0.25W | 01121 | CB1005 |
| A69A1R1084 | 315-0100-00 | | RES.,FXD,CMPSN:10 OHM,5%,0.25W | 01121 | CB1005 |
| A69A1R1085 | 315-0100-00 | | RES.,FXD,CMPSN:10 OHM,5%,0.25W | 01121 | CB1005 |
| A69A1R2076 | 315-0100-00 | | RES.,FXD,CMPSN:10 OHM,5%,0.25W | 01121 | CB1005 |
| A69A1R2086 | 315-0100-00 | | RES.,FXD,CMPSN:10 OHM,5%,0.25W | 01121 | CB1005 |
| A69A1R2088 | 315-0100-00 | | RES.,FXD,CMPSN:10 OHM,5%,0.25W | 01121 | CB1005 |
| A69A1R3019 | 315-0270-00 | | RES.,FXD,CMPSN:27 OHM,5%,0.25W | 01121 | CB2705 |
| A69A1R3026 | 315-0100-00 | | RES.,FXD,CMPSN:10 OHM,5%,0.25W | 01121 | CB1005 |
| A69A1R3028 | 315-0100-00 | | RES.,FXD,CMPSN:10 OHM,5%,0.25W | 01121 | CB1005 |
| A69A1R3029 | 315-0100-00 | | RES.,FXD,CMPSN:10 OHM,5%,0.25W | 01121 | CB1005 |
| A69A1R3035 | 315-0100-00 | | RES.,FXD,CMPSN:10 OHM,5%,0.25W | 01121 | CB1005 |
| A69A1R3043 | 315-0100-00 | | RES.,FXD,CMPSN:10 OHM,5%,0.25W | 01121 | CB1005 |
| A69A1R3048 | 307-0106-00 | | RES.,FXD,CMPSN:4.7 OHM,5%,0.25W | 01121 | CB47G5 |
| A69A1R3049 | 315-0100-00 | | RES.,FXD,CMPSN:10 OHM,5%,0.25W | 01121 | CB1005 |
| A69A1R3081 | 315-0101-00 | | RES.,FXD,CMPSN:100 OHM,5%,0.25W | 01121 | CB1015 |

Replaceable Electrical Parts—496/496P Service Vol.2

| Component No. | Tektronix Part No. | Serial/Model No. Eff Dscont | Name & Description | Mfr Code | Mfr Part Number |
|---------------|--------------------|-----------------------------|----------------------------------|----------|-----------------|
| A69A2 | 670-5529-01 | | CKT BOARD ASSY:V.R. INPUT | 80009 | 670-5529-01 |
| A69A2C1016 | 283-0111-00 | | CAP.,FXD,CER DI:0.1UF,20%,50V | 56289 | 273C11 |
| A69A2C1019 | 283-0111-00 | | CAP.,FXD,CER DI:0.1UF,20%,50V | 56289 | 273C11 |
| A69A2C1022 | 283-0111-00 | | CAP.,FXD,CER DI:0.1UF,20%,50V | 56289 | 273C11 |
| A69A2C1025 | 283-0111-00 | | CAP.,FXD,CER DI:0.1UF,20%,50V | 56289 | 273C11 |
| A69A2C1026 | 281-0167-00 | | CAP.,VAR,CER DI:9-45PF,200V | 59660 | 538-011D9-45 |
| A69A2C1031 | 283-0647-00 | | CAP.,FXD,MICA D:70PF,1%,100V | 00853 | D155E700F0 |
| A69A2C1032 | 283-0634-00 | | CAP.,FXD,MICA D:65PF,1%,100V | 00853 | D155E650F0 |
| A69A2C1033 | 281-0167-00 | | CAP.,VAR,CER DI:9-45PF,200V | 59660 | 538-011D9-45 |
| A69A2C1035 | 281-0577-00 | | CAP.,FXD,CER DI:14PF,5%,500V | 04222 | 7001-COG-140J |
| A69A2C1036 | 283-0634-00 | | CAP.,FXD,MICA D:65PF,1%,100V | 00853 | D155E650F0 |
| A69A2C1037 | 283-0647-00 | | CAP.,FXD,MICA D:70PF,1%,100V | 00853 | D155E700F0 |
| A69A2L1018 | 108-0395-00 | | COIL,RF:64UH | 80009 | 108-0395-00 |
| A69A2L1027 | 108-0701-00 | | COIL,RF:1.3UH | 80009 | 108-0701-00 |
| A69A2L1033 | 108-0701-00 | | COIL,RF:1.3UH | 80009 | 108-0701-00 |
| A69A2Q1023 | 151-0650-00 | | TRANSISTOR:SILICON,NPN | 80009 | 151-0650-00 |
| A69A2R1014 | 321-0114-00 | | RES.,FXD,FILM:150 OHM,1%,0.125W | 91637 | MFF1816G150R0F |
| A69A2R1015 | 321-0114-00 | | RES.,FXD,FILM:150 OHM,1%,0.125W | 91637 | MFF1816G150R0F |
| A69A2R1016 | 321-0054-00 | | RES.,FXD,FILM:35.7 OHM,5%,0.125W | 91637 | MFF1816G35R70F |
| A69A2R1022 | 315-0270-00 | | RES.,FXD,CMPSN:27 OHM,5%,0.25W | 01121 | CB2705 |
| A69A2R1023 | 307-0113-00 | | RES.,FXD,CMPSN:5.1 OHM,5%,0.25W | 01121 | CB51G5 |
| A69A2R1024 | 315-0911-00 | | RES.,FXD,CMPSN:910 OHM,5%,0.25W | 01121 | CB9115 |
| A69A2R1025 | 315-0102-00 | | RES.,FXD,CMPSN:1K OHM,5%,0.25W | 01121 | CB1025 |
| A69A2R1026 | 315-0511-00 | | RES.,FXD,CMPSN:510 OHM,5%,0.25W | 01121 | CB5115 |
| A69A2T1019 | 120-0459-00 | | XFMR,TOROID:10 TURNS,BIFILAR | 80009 | 120-0459-00 |

| Component No. | Tektronix Part No. | Serial/Model No. Eff | Dscont | Name & Description | Mfr Code | Mfr Part Number |
|------------------|--------------------|----------------------|---------|--------------------------------------|----------|------------------|
| A69A3 | 670-5530-03 | B010100 | B010469 | CKT BOARD ASSY:1ST FILTER SELECT | 80009 | 670-5530-03 |
| A69A3 | ----- | | | (XTALS NOT INCLUDED IN THIS CKT BD) | | |
| A69A3 | 670-5530-04 | B010470 | | CKT BOARD ASSY:: 1ST FILTER SELECT | 80009 | 670-5534-04 |
| A69A3 | ----- | | | (XTALS NOT INCLUDED IN THIS CKT BD) | | |
| A69A3C1014 | 283-0204-00 | | | CAP.,FXD,CER DI:0.01UF,20%,50V | 96733 | R2676 |
| A69A3C1015 | 283-0204-00 | | | CAP.,FXD,CER DI:0.01UF,20%,50V | 96733 | R2676 |
| A69A3C1016 | 283-0204-00 | | | CAP.,FXD,CER DI:0.01UF,20%,50V | 96733 | R2676 |
| A69A3C1017 | 283-0204-00 | | | CAP.,FXD,CER DI:0.01UF,20%,50V | 96733 | R2676 |
| A69A3C1021 | 283-0204-00 | | | CAP.,FXD,CER DI:0.01UF,20%,50V | 96733 | R2676 |
| A69A3C1030 | 281-0182-00 | | | CAP.,VAR,PLSTC:1.8-10PF,500V | 80031 | 2805D1R810BH02F0 |
| A69A3C1035 | 281-0182-00 | | | CAP.,VAR,PLSTC:1.8-10PF,500V | 80031 | 2805D1R810BH02F0 |
| A69A3C1054 | 283-0204-00 | | | CAP.,FXD,CER DI:0.01UF,20%,50V | 96733 | R2676 |
| A69A3C1055 | 283-0204-00 | | | CAP.,FXD,CER DI:0.01UF,20%,50V | 96733 | R2676 |
| A69A3C1056 | 283-0204-00 | | | CAP.,FXD,CER DI:0.01UF,20%,50V | 96733 | R2676 |
| A69A3C1060 | 283-0204-00 | | | CAP.,FXD,CER DI:0.01UF,20%,50V | 96733 | R2676 |
| A69A3C2012 | 283-0204-00 | | | CAP.,FXD,CER DI:0.01UF,20%,50V | 96733 | R2676 |
| A69A3C2013 | 283-0204-00 | | | CAP.,FXD,CER DI:0.01UF,20%,50V | 96733 | R2676 |
| A69A3C2015 | 283-0204-00 | | | CAP.,FXD,CER DI:0.01UF,20%,50V | 96733 | R2676 |
| A69A3C2016 | 283-0204-00 | | | CAP.,FXD,CER DI:0.01UF,20%,50V | 96733 | R2676 |
| A69A3C2017 | 283-0204-00 | | | CAP.,FXD,CER DI:0.01UF,20%,50V | 96733 | R2676 |
| A69A3C2019 | 283-0204-00 | | | CAP.,FXD,CER DI:0.01UF,20%,50V | 96733 | R2676 |
| A69A3C2020 | 283-0204-00 | | | CAP.,FXD,CER DI:0.01UF,20%,50V | 96733 | R2676 |
| A69A3C2029 | 283-0770-00 | | | CAP.,FXD,MICA D:300PF,1%,500V | 00853 | D15-5F301F0 |
| A69A3C2037 | 281-0221-00 | | | CAP.,VAR,CER DI:2-10PF,100V | 59660 | 513-013A 2 0-10 |
| A69A3C2051 | 283-0204-00 | | | CAP.,FXD,CER DI:0.01UF,20%,50V | 96733 | R2676 |
| A69A3C2054 | 283-0204-00 | | | CAP.,FXD,CER DI:0.01UF,20%,50V | 96733 | R2676 |
| A69A3C2057 | 283-0204-00 | | | CAP.,FXD,CER DI:0.01UF,20%,50V | 96733 | R2676 |
| A69A3C2058 | 283-0204-00 | | | CAP.,FXD,CER DI:0.01UF,20%,50V | 96733 | R2676 |
| A69A3C2060 | 283-0204-00 | | | CAP.,FXD,CER DI:0.01UF,20%,50V | 96733 | R2676 |
| A69A3C3011 | 283-0204-00 | | | CAP.,FXD,CER DI:0.01UF,20%,50V | 96733 | R2676 |
| A69A3C3014 | 283-0204-00 | | | CAP.,FXD,CER DI:0.01UF,20%,50V | 96733 | R2676 |
| A69A3C3016 | 283-0204-00 | | | CAP.,FXD,CER DI:0.01UF,20%,50V | 96733 | R2676 |
| A69A3C3017 | 283-0204-00 | | | CAP.,FXD,CER DI:0.01UF,20%,50V | 96733 | R2676 |
| A69A3C3018 | 283-0204-00 | | | CAP.,FXD,CER DI:0.01UF,20%,50V | 96733 | R2676 |
| A69A3C3020 | 281-0620-00 | | | CAP.,FXD,CER DI:21PF,1%,500V | 59660 | 301-000C0G0210F |
| A69A3C3023 | 281-0245-00 | | | CAP.,VAR,CER DI:7.5-50PF,400V | 91293 | 9694 |
| A69A3C3024 | 283-0640-00 | B010100 | B010469 | CAP.,FXD,MICA D:160PF,1%,100V | 00853 | D151E161F0 |
| A69A3C3024 | 283-0899-00 | B010470 | | CAP.,FXD,CER DI:160 PF,5%,50V | 51642 | 300-050-NP0-161J |
| A69A3C3030 | 281-0619-00 | | | CAP.,FXD,CER DI:1.2PF, +/-0.1PF,200V | 59660 | 374 018 C0K0129B |
| A69A3C3035 | 281-0245-00 | | | CAP.,VAR,CER DI:7.5-50PF,400V | 91293 | 9694 |
| A69A3C3038 | 283-0640-00 | B010100 | B010469 | CAP.,FXD,MICA D:160PF,1%,100V | 00853 | D151E161F0 |
| A69A3C3038 | 283-0899-00 | B010470 | | CAP.,FXD,CER DI:160 PF,5%,50V | 51642 | |
| 300-050-NP0-161J | A69A3C304 | | | 281-0620-00 | CAP., | D,CER |
| DI:21PF,1%,500V | 59660 | | | 301-000C0G0210F | | |
| A69A3C3056 | 283-0204-00 | | | CAP.,FXD,CER DI:0.01UF,20%,50V | 96733 | R2676 |
| A69A3C3058 | 283-0204-00 | | | CAP.,FXD,CER DI:0.01UF,20%,50V | 96733 | R2676 |
| A69A3C3059 | 283-0204-00 | | | CAP.,FXD,CER DI:0.01UF,20%,50V | 96733 | R2676 |
| A69A3C4015 | 283-0204-00 | | | CAP.,FXD,CER DI:0.01UF,20%,50V | 96733 | R2676 |
| A69A3C4022 | 283-0204-00 | | | CAP.,FXD,CER DI:0.01UF,20%,50V | 96733 | R2676 |
| A69A3C4029 | 283-0204-00 | | | CAP.,FXD,CER DI:0.01UF,20%,50V | 96733 | R2676 |
| A69A3C4031 | 283-0204-00 | | | CAP.,FXD,CER DI:0.01UF,20%,50V | 96733 | R2676 |
| A69A3C4032 | 283-0204-00 | | | CAP.,FXD,CER DI:0.01UF,20%,50V | 96733 | R2676 |
| A69A3C4038 | 283-0204-00 | | | CAP.,FXD,CER DI:0.01UF,20%,50V | 96733 | R2676 |
| A69A3C4039 | 283-0204-00 | | | CAP.,FXD,CER DI:0.01UF,20%,50V | 96733 | R2676 |
| A69A3C4040 | 281-0111-00 | | | CAP.,VAR,AIR DI:2-27PF,650V | 74970 | 193-8-5 |
| A69A3C4054 | 283-0204-00 | | | CAP.,FXD,CER DI:0.01UF,20%,50V | 96733 | R2676 |

Replaceable Electrical Parts—496/496P Service Vol.2

| Component No. | Tektronix Part No. | Serial/Model No. Eff Dscont | Name & Description | Mfr Code | Mfr Part Number |
|---------------|--------------------|-----------------------------|--|----------|-----------------|
| A69A3C4056 | 283-0204-00 | | CAP.,FXD,CER DI:0.01UF,20%,50V | 96733 | R2676 |
| A69A3C4057 | 283-0204-00 | | CAP.,FXD,CER DI:0.01UF,20%,50V | 96733 | R2676 |
| A69A3C4059 | 283-0204-00 | | CAP.,FXD,CER DI:0.01UF,20%,50V | 96733 | R2676 |
| A69A3C4069 | 283-0204-00 | | CAP.,FXD,CER DI:0.01UF,20%,50V | 96733 | R2676 |
| A69A3CR1010 | 152-0107-04 | | SEMICONV DEVICE:SILICON,400V,400MA,SEL | 14936 | GPD-011 |
| A69A3CR1011 | 152-0107-04 | | SEMICONV DEVICE:SILICON,400V,400MA,SEL | 14936 | GPD-011 |
| A69A3CR1012 | 152-0107-04 | | SEMICONV DEVICE:SILICON,400V,400MA,SEL | 14936 | GPD-011 |
| A69A3CR1013 | 152-0107-04 | | SEMICONV DEVICE:SILICON,400V,400MA,SEL | 14936 | GPD-011 |
| A69A3CR1017 | 152-0153-00 | | SEMICONV DEVICE:SILICON,15V,50MA | 07263 | FD7003 |
| A69A3CR1018 | 152-0153-00 | | SEMICONV DEVICE:SILICON,15V,50MA | 07263 | FD7003 |
| A69A3CR1021 | 152-0153-00 | | SEMICONV DEVICE:SILICON,15V,50MA | 07263 | FD7003 |
| A69A3CR1022 | 152-0153-00 | | SEMICONV DEVICE:SILICON,15V,50MA | 07263 | FD7003 |
| A69A3CR1055 | 152-0107-04 | | SEMICONV DEVICE:SILICON,400V,400MA,SEL | 14936 | GPD-011 |
| A69A3CR1059 | 152-0107-04 | | SEMICONV DEVICE:SILICON,400V,400MA,SEL | 14936 | GPD-011 |
| A69A3CR2010 | 152-0107-04 | | SEMICONV DEVICE:SILICON,400V,400MA,SEL | 14936 | GPD-011 |
| A69A3CR2011 | 152-0107-04 | | SEMICONV DEVICE:SILICON,400V,400MA,SEL | 14936 | GPD-011 |
| A69A3CR2012 | 152-0107-04 | | SEMICONV DEVICE:SILICON,400V,400MA,SEL | 14936 | GPD-011 |
| A69A3CR2013 | 152-0107-04 | | SEMICONV DEVICE:SILICON,400V,400MA,SEL | 14936 | GPD-011 |
| A69A3CR2055 | 152-0107-04 | | SEMICONV DEVICE:SILICON,400V,400MA,SEL | 14936 | GPD-011 |
| A69A3CR2059 | 152-0107-04 | | SEMICONV DEVICE:SILICON,400V,400MA,SEL | 14936 | GPD-011 |
| A69A3CR2062 | 152-0107-04 | | SEMICONV DEVICE:SILICON,400V,400MA,SEL | 14936 | GPD-011 |
| A69A3CR2066 | 152-0107-04 | | SEMICONV DEVICE:SILICON,400V,400MA,SEL | 14936 | GPD-011 |
| A69A3CR3010 | 152-0107-04 | | SEMICONV DEVICE:SILICON,400V,400MA,SEL | 14936 | GPD-011 |
| A69A3CR3011 | 152-0107-04 | | SEMICONV DEVICE:SILICON,400V,400MA,SEL | 14936 | GPD-011 |
| A69A3CR3012 | 152-0107-04 | | SEMICONV DEVICE:SILICON,400V,400MA,SEL | 14936 | GPD-011 |
| A69A3CR3014 | 152-0107-04 | | SEMICONV DEVICE:SILICON,400V,400MA,SEL | 14936 | GPD-011 |
| A69A3CR3060 | 152-0107-04 | | SEMICONV DEVICE:SILICON,400V,400MA,SEL | 14936 | GPD-011 |
| A69A3CR3061 | 152-0107-04 | | SEMICONV DEVICE:SILICON,400V,400MA,SEL | 14936 | GPD-011 |
| A69A3CR3062 | 152-0107-04 | | SEMICONV DEVICE:SILICON,400V,400MA,SEL | 14936 | GPD-011 |
| A69A3CR4064 | 152-0107-04 | | SEMICONV DEVICE:SILICON,400V,400MA,SEL | 14936 | GPD-011 |
| A69A3CR4065 | 152-0107-04 | | SEMICONV DEVICE:SILICON,400V,400MA,SEL | 14936 | GPD-011 |
| A69A3CR4068 | 152-0107-04 | | SEMICONV DEVICE:SILICON,400V,400MA,SEL | 14936 | GPD-011 |
| A69A3L1011 | 108-0395-00 | | COIL,RF:64UH | 80009 | 108-0395-00 |
| A69A3L1012 | 108-0395-00 | | COIL,RF:64UH | 80009 | 108-0395-00 |
| A69A3L1059 | 108-0395-00 | | COIL,RF:64UH | 80009 | 108-0395-00 |
| A69A3L1067 | 108-0395-00 | | COIL,RF:64UH | 80009 | 108-0395-00 |
| A69A3L2011 | 108-0395-00 | | COIL,RF:64UH | 80009 | 108-0395-00 |
| A69A3L2012 | 108-0395-00 | | COIL,RF:64UH | 80009 | 108-0395-00 |
| A69A3L2060 | 108-0395-00 | | COIL,RF:64UH | 80009 | 108-0395-00 |
| A69A3L2062 | 108-0395-00 | | COIL,RF:64UH | 80009 | 108-0395-00 |
| A69A3L3012 | 108-0395-00 | | COIL,RF:64UH | 80009 | 108-0395-00 |
| A69A3L3013 | 108-0395-00 | | COIL,RF:64UH | 80009 | 108-0395-00 |
| A69A3L3014 | 108-0395-00 | | COIL,RF:64UH | 80009 | 108-0395-00 |
| A69A3L3029 | 108-0964-00 | | COIL,RF:FIXED,115NH,TOROIDAL INDUCT | 80009 | 108-0964-00 |
| A69A3L3040 | 108-0964-00 | | COIL,RF:FIXED,115NH,TOROIDAL INDUCT | 80009 | 108-0964-00 |
| A69A3L3059 | 108-0395-00 | | COIL,RF:64UH | 80009 | 108-0395-00 |
| A69A3L4018 | 108-0395-00 | | COIL,RF:64UH | 80009 | 108-0395-00 |
| A69A3L4043 | 108-0395-00 | | COIL,RF:64UH | 80009 | 108-0395-00 |
| A69A3L4049 | 108-0395-00 | | COIL,RF:64UH | 80009 | 108-0395-00 |
| A69A3L4058 | 108-0395-00 | | COIL,RF:64UH | 80009 | 108-0395-00 |
| A69A3L4065 | 108-0395-00 | | COIL,RF:64UH | 80009 | 108-0395-00 |
| A69A3Q1019 | 151-0301-00 | | TRANSISTOR:SILICON,PNP | 27014 | 2N2907A |
| A69A3Q1020 | 151-0301-00 | | TRANSISTOR:SILICON,PNP | 27014 | 2N2907A |
| A69A3Q1055 | 151-0301-00 | | TRANSISTOR:SILICON,PNP | 27014 | 2N2907A |
| A69A3Q2019 | 151-0301-00 | | TRANSISTOR:SILICON,PNP | 27014 | 2N2907A |

| Component No. | Tektronix Part No. | Serial/Model No. Eff Dscont | Name & Description | Mfr Code | Mfr Part Number |
|---------------|--------------------|-----------------------------|----------------------------------|----------|-----------------|
| A69A3Q2020 | 151-0301-00 | | TRANSISTOR:SILICON,PNP | 27014 | 2N2907A |
| A69A3Q2050 | 151-0301-00 | | TRANSISTOR:SILICON,PNP | 27014 | 2N2907A |
| A69A3Q3019 | 151-0301-00 | | TRANSISTOR:SILICON,PNP | 27014 | 2N2907A |
| A69A3Q3055 | 151-0301-00 | | TRANSISTOR:SILICON,PNP | 27014 | 2N2907A |
| A69A3Q3060 | 151-0301-00 | | TRANSISTOR:SILICON,PNP | 27014 | 2N2907A |
| A69A3Q4019 | 151-0301-00 | | TRANSISTOR:SILICON,PNP | 27014 | 2N2907A |
| A69A3Q4050 | 151-0301-00 | | TRANSISTOR:SILICON,PNP | 27014 | 2N2907A |
| A69A3Q4055 | 151-0301-00 | | TRANSISTOR:SILICON,PNP | 27014 | 2N2907A |
| A69A3R1015 | 315-0332-00 | | RES.,FXD,CMPSN:3.3K OHM,5%,0.25W | 01121 | CB3325 |
| A69A3R1016 | 315-0121-00 | | RES.,FXD,CMPSN:120 OHM,5%,0.25W | 01121 | CB1215 |
| A69A3R1017 | 315-0332-00 | | RES.,FXD,CMPSN:3.3K OHM,5%,0.25W | 01121 | CB3325 |
| A69A3R1018 | 315-0103-00 | | RES.,FXD,CMPSN:10K OHM,5%,0.25W | 01121 | CB1035 |
| A69A3R1019 | 315-0103-00 | | RES.,FXD,CMPSN:10K OHM,5%,0.25W | 01121 | CB1035 |
| A69A3R1020 | 315-0103-00 | | RES.,FXD,CMPSN:10K OHM,5%,0.25W | 01121 | CB1035 |
| A69A3R1022 | 315-0103-00 | | RES.,FXD,CMPSN:10K OHM,5%,0.25W | 01121 | CB1035 |
| A69A3R1026 | 321-0121-00 | | RES.,FXD,FILM:178 OHM,1%,0.125W | 91637 | MFF1816G178R0F |
| A69A3R1027 | 321-0121-00 | | RES.,FXD,FILM:178 OHM,1%,0.125W | 91637 | MFF1816G178R0F |
| A69A3R1028 | 321-0713-00 | | RES.,FXD,FILM:30 OHM,1%,0.125W | 91637 | MFF1816G30R00F |
| A69A3R1054 | 315-0332-00 | | RES.,FXD,CMPSN:3.3K OHM,5%,0.25W | 01121 | CB3325 |
| A69A3R1055 | 315-0121-00 | | RES.,FXD,CMPSN:120 OHM,5%,0.25W | 01121 | CB1215 |
| A69A3R1057 | 315-0103-00 | | RES.,FXD,CMPSN:10K OHM,5%,0.25W | 01121 | CB1035 |
| A69A3R1058 | 315-0103-00 | | RES.,FXD,CMPSN:10K OHM,5%,0.25W | 01121 | CB1035 |
| A69A3R1067 | 304-0681-00 | | RES.,FXD,CMPSN:680 OHM,10%,1W | 01121 | GB6811 |
| A69A3R2013 | 315-0332-00 | | RES.,FXD,CMPSN:3.3K OHM,5%,0.25W | 01121 | CB3325 |
| A69A3R2014 | 315-0121-00 | | RES.,FXD,CMPSN:120 OHM,5%,0.25W | 01121 | CB1215 |
| A69A3R2015 | 315-0121-00 | | RES.,FXD,CMPSN:120 OHM,5%,0.25W | 01121 | CB1215 |
| A69A3R2016 | 315-0332-00 | | RES.,FXD,CMPSN:3.3K OHM,5%,0.25W | 01121 | CB3325 |
| A69A3R2017 | 315-0103-00 | | RES.,FXD,CMPSN:10K OHM,5%,0.25W | 01121 | CB1035 |
| A69A3R2018 | 315-0103-00 | | RES.,FXD,CMPSN:10K OHM,5%,0.25W | 01121 | CB1035 |
| A69A3R2019 | 315-0103-00 | | RES.,FXD,CMPSN:10K OHM,5%,0.25W | 01121 | CB1035 |
| A69A3R2020 | 315-0103-00 | | RES.,FXD,CMPSN:10K OHM,5%,0.25W | 01121 | CB1035 |
| A69A3R2023 | 321-0026-00 | | RES.,FXD,FILM:18.2 OHM,1%,0.125W | 91637 | MFF1816G18R20F |
| A69A3R2024 | 321-0143-00 | | RES.,FXD,FILM:301 OHM,1%,0.125W | 91637 | MFF1816G301R0F |
| A69A3R2025 | 321-0143-00 | | RES.,FXD,FILM:301 OHM,1%,0.125W | 91637 | MFF1816G301R0F |
| A69A3R2026 | 321-0054-00 | | RES.,FXD,FILM:35.7 OHM,5%,0.125W | 91637 | MFF1816G35R70F |
| A69A3R2027 | 321-0114-00 | | RES.,FXD,FILM:150 OHM,1%,0.125W | 91637 | MFF1816G150R0F |
| A69A3R2028 | 321-0114-00 | | RES.,FXD,FILM:150 OHM,1%,0.125W | 91637 | MFF1816G150R0F |
| A69A3R2049 | 315-0103-00 | | RES.,FXD,CMPSN:10K OHM,5%,0.25W | 01121 | CB1035 |
| A69A3R2050 | 315-0103-00 | | RES.,FXD,CMPSN:10K OHM,5%,0.25W | 01121 | CB1035 |
| A69A3R2055 | 315-0332-00 | | RES.,FXD,CMPSN:3.3K OHM,5%,0.25W | 01121 | CB3325 |
| A69A3R2056 | 315-0121-00 | | RES.,FXD,CMPSN:120 OHM,5%,0.25W | 01121 | CB1215 |
| A69A3R3014 | 315-0121-00 | | RES.,FXD,CMPSN:120 OHM,5%,0.25W | 01121 | CB1215 |
| A69A3R3015 | 315-0121-00 | | RES.,FXD,CMPSN:120 OHM,5%,0.25W | 01121 | CB1215 |
| A69A3R3016 | 315-0332-00 | | RES.,FXD,CMPSN:3.3K OHM,5%,0.25W | 01121 | CB3325 |
| A69A3R3017 | 315-0103-00 | | RES.,FXD,CMPSN:10K OHM,5%,0.25W | 01121 | CB1035 |
| A69A3R3018 | 315-0103-00 | | RES.,FXD,CMPSN:10K OHM,5%,0.25W | 01121 | CB1035 |
| A69A3R3019 | 315-0121-00 | | RES.,FXD,CMPSN:120 OHM,5%,0.25W | 01121 | CB1215 |
| A69A3R3020 | 315-0332-00 | | RES.,FXD,CMPSN:3.3K OHM,5%,0.25W | 01121 | CB3325 |
| A69A3R3050 | 315-0103-00 | | RES.,FXD,CMPSN:10K OHM,5%,0.25W | 01121 | CB1035 |
| A69A3R3053 | 315-0103-00 | | RES.,FXD,CMPSN:10K OHM,5%,0.25W | 01121 | CB1035 |
| A69A3R3056 | 315-0332-00 | | RES.,FXD,CMPSN:3.3K OHM,5%,0.25W | 01121 | CB3325 |
| A69A3R3057 | 315-0121-00 | | RES.,FXD,CMPSN:120 OHM,5%,0.25W | 01121 | CB1215 |
| A69A3R3059 | 315-0103-00 | | RES.,FXD,CMPSN:10K OHM,5%,0.25W | 01121 | CB1035 |
| A69A3R3060 | 315-0121-00 | | RES.,FXD,CMPSN:120 OHM,5%,0.25W | 01121 | CB1215 |
| A69A3R3061 | 315-0332-00 | | RES.,FXD,CMPSN:3.3K OHM,5%,0.25W | 01121 | CB3325 |

Replaceable Electrical Parts—496/496P Service Vol.2

| Component No. | Tektronix Part No. | Serial/Model No. Eff | Dscont | Name & Description | Mfr Code | Mfr Part Number |
|---------------|--------------------|----------------------|--------|---|----------|-----------------|
| A69A3R3063 | 315-0103-00 | | | RES.,FXD,CMPSN:10K OHM,5%,0.25W | 01121 | CB1035 |
| A69A3R4012 | 304-0681-00 | | | RES.,FXD,CMPSN:680 OHM,10%,1W | 01121 | GB6811 |
| A69A3R4015 | 321-0099-00 | | | RES.,FXD,FILM:105 OHM,1%,0.125W | 91637 | MFF1816G105R0F |
| A69A3R4016 | 321-0099-00 | | | RES.,FXD,FILM:105 OHM,1%,0.125W | 91637 | MFF1816G105R0F |
| A69A3R4017 | 321-0077-00 | | | RES.,FXD,FILM:61.9 OHM,1%,0.125W | 91637 | MFF1816G61R90F |
| A69A3R4019 | 315-0332-00 | | | RES.,FXD,CMPSN:3.3K OHM,5%,0.25W | 01121 | CB3325 |
| A69A3R4020 | 315-0103-00 | | | RES.,FXD,CMPSN:10K OHM,5%,0.25W | 01121 | CB1035 |
| A69A3R4021 | 315-0103-00 | | | RES.,FXD,CMPSN:10K OHM,5%,0.25W | 01121 | CB1035 |
| A69A3R4048 | 315-0103-00 | | | RES.,FXD,CMPSN:10K OHM,5%,0.25W | 01121 | CB1035 |
| A69A3R4049 | 315-0103-00 | | | RES.,FXD,CMPSN:10K OHM,5%,0.25W | 01121 | CB1035 |
| A69A3R4050 | 315-0103-00 | | | RES.,FXD,CMPSN:10K OHM,5%,0.25W | 01121 | CB1035 |
| A69A3R4053 | 315-0103-00 | | | RES.,FXD,CMPSN:10K OHM,5%,0.25W | 01121 | CB1035 |
| A69A3R4054 | 315-0332-00 | | | RES.,FXD,CMPSN:3.3K OHM,5%,0.25W | 01121 | CB3325 |
| A69A3R4055 | 315-0121-00 | | | RES.,FXD,CMPSN:120 OHM,5%,0.25W | 01121 | CB1215 |
| A69A3R4056 | 315-0121-00 | | | RES.,FXD,CMPSN:120 OHM,5%,0.25W | 01121 | CB1215 |
| A69A3R4057 | 315-0332-00 | | | RES.,FXD,CMPSN:3.3K OHM,5%,0.25W | 01121 | CB3325 |
| A69A3T1025 | 120-1241-00 | | | TRANSFORMER,RF:TOROID,3 WINDS TRIFILAR | 80009 | 120-1241-00 |
| A69A3T1039 | 120-1241-00 | | | TRANSFORMER,RF:TOROID,3 WINDS TRIFILAR | 80009 | 120-1241-00 |
| A69A3T2035 | 120-1237-00 | | | TRANSFORMER,RF:TOROID,2 WINDINGS | 80009 | 120-1237-00 |
| A69A3T2055 | 120-1237-00 | | | TRANSFORMER,RF:TOROID,2 WINDINGS | 80009 | 120-1237-00 |
| A69A3T3026 | 120-1339-00 | | | TRANSFORMER,RF:TOROID,2 WINDINGS | 80009 | 120-1339-00 |
| A69A3T3055 | 120-1339-00 | | | TRANSFORMER,RF:TOROID,2 WINDINGS | 80009 | 120-1339-00 |
| A69A3U4035 | 156-1235-00 | | | MICROCIRCUIT,DI:BCD TO DECIMAL DECODER/DR | 80009 | 156-1235-00 |
| A69A3U4035 | ----- | | | (Y1030,Y1045,Y2036,Y2043,Y3046 NOT | | |
| A69A3U4035 | ----- | | | INCLUDED WITH THIS CIRCUIT BOARD SEE | | |
| A69A3U4035 | ----- | | | CHASSIS PARTS LIST FOR REPLACEABLE PART | | |
| A69A3U4035 | ----- | | | NUMBERS) | | |

| Component No. | Tektronix Part No. | Serial/Model No. Eff | Dscont | Name & Description | Mfr Code | Mfr Part Number |
|---------------|--------------------|----------------------|---------|--------------------------------------|----------|-----------------|
| A69A4 | 670-5531-03 | B010100 | B010365 | CKT BOARD ASSY:10DB GAIN STEPS | 80009 | 670-5531-03 |
| A69A4 | 670-5531-04 | B010366 | | CKT BOARD ASSY:10DB GAIN STEPS | 80009 | 670-5531-04 |
| A69A4C1017 | 283-0111-00 | | | CAP.,FXD,CER DI:0.1UF,20%,50V | 56289 | 273C11 |
| A69A4C1024 | 283-0111-00 | | | CAP.,FXD,CER DI:0.1UF,20%,50V | 56289 | 273C11 |
| A69A4C1028 | 283-0107-00 | | | CAP.,FXD,CER DI:51PF,5%,200V | 96733 | R3017 |
| A69A4C1039 | 283-0111-00 | | | CAP.,FXD,CER DI:0.1UF,20%,50V | 56289 | 273C11 |
| A69A4C1047 | 283-0111-00 | | | CAP.,FXD,CER DI:0.1UF,20%,50V | 56289 | 273C11 |
| A69A4C1057 | 283-0204-00 | | | CAP.,FXD,CER DI:0.01UF,20%,50V | 96733 | R2676 |
| A69A4C1066 | 283-0111-00 | | | CAP.,FXD,CER DI:0.1UF,20%,50V | 56289 | 273C11 |
| A69A4C2013 | 283-0111-00 | | | CAP.,FXD,CER DI:0.1UF,20%,50V | 56289 | 273C11 |
| A69A4C2018 | 283-0111-00 | | | CAP.,FXD,CER DI:0.1UF,20%,50V | 56289 | 273C11 |
| A69A4C2020 | 283-0204-00 | | | CAP.,FXD,CER DI:0.01UF,20%,50V | 96733 | R2676 |
| A69A4C2032 | 283-0204-00 | | | CAP.,FXD,CER DI:0.01UF,20%,50V | 96733 | R2676 |
| A69A4C2046 | 283-0204-00 | | | CAP.,FXD,CER DI:0.01UF,20%,50V | 96733 | R2676 |
| A69A4C2052 | 283-0204-00 | | | CAP.,FXD,CER DI:0.01UF,20%,50V | 96733 | R2676 |
| A69A4C2055 | 283-0111-00 | | | CAP.,FXD,CER DI:0.1UF,20%,50V | 56289 | 273C11 |
| A69A4C2059 | 283-0107-00 | | | CAP.,FXD,CER DI:51PF,5%,200V | 96733 | R3017 |
| A69A4C3042 | 283-0111-00 | | | CAP.,FXD,CER DI:0.1UF,20%,50V | 56289 | 273C11 |
| A69A4C3045 | 283-0204-00 | | | CAP.,FXD,CER DI:0.01UF,20%,50V | 96733 | R2676 |
| A69A4C3046 | 283-0111-00 | | | CAP.,FXD,CER DI:0.1UF,20%,50V | 56289 | 273C11 |
| A69A4C4024 | 283-0111-00 | | | CAP.,FXD,CER DI:0.1UF,20%,50V | 56289 | 273C11 |
| A69A4C4028 | 283-0111-00 | | | CAP.,FXD,CER DI:0.1UF,20%,50V | 56289 | 273C11 |
| A69A4C4046 | 283-0111-00 | | | CAP.,FXD,CER DI:0.1UF,20%,50V | 56289 | 273C11 |
| A69A4C4054 | 283-0111-00 | | | CAP.,FXD,CER DI:0.1UF,20%,50V | 56289 | 273C11 |
| A69A4C4059 | 283-0111-00 | | | CAP.,FXD,CER DI:0.1UF,20%,50V | 56289 | 273C11 |
| A69A4C4064 | 283-0111-00 | | | CAP.,FXD,CER DI:0.1UF,20%,50V | 56289 | 273C11 |
| A69A4CR1053 | 152-0524-00 | | | SEMICONV DEVICE:SILICON,100V,100MA | 80009 | 152-0524-00 |
| A69A4Q1036 | 151-0282-00 | | | TRANSISTOR:SILICON,NPN | 80009 | 151-0282-00 |
| A69A4Q2015 | 151-0301-00 | | | TRANSISTOR:SILICON,PNP | 27014 | 2N2907A |
| A69A4Q2027 | 151-0282-00 | | | TRANSISTOR:SILICON,NPN | 80009 | 151-0282-00 |
| A69A4Q2043 | 151-0282-00 | | | TRANSISTOR:SILICON,NPN | 80009 | 151-0282-00 |
| A69A4Q2056 | 151-0282-00 | | | TRANSISTOR:SILICON,NPN | 80009 | 151-0282-00 |
| A69A4Q3016 | 151-0282-00 | | | TRANSISTOR:SILICON,NPN | 80009 | 151-0282-00 |
| A69A4Q3055 | 151-0282-00 | | | TRANSISTOR:SILICON,NPN | 80009 | 151-0282-00 |
| A69A4Q3064 | 151-0650-00 | | | TRANSISTOR:SILICON,NPN | 80009 | 151-0650-00 |
| A69A4Q4039 | 151-0301-00 | | | TRANSISTOR:SILICON,PNP | 27014 | 2N2907A |
| A69A4R1016 | 315-0221-00 | | | RES.,FXD,CMPSN:220 OHM,5%,0.25W | 01121 | CB2215 |
| A69A4R1022 | 315-0151-00 | | | RES.,FXD,CMPSN:150 OHM,5%,0.25W | 01121 | CB1515 |
| A69A4R1026 | 315-0681-00 | | | RES.,FXD,CMPSN:680 OHM,5%,0.25W | 01121 | CB6815 |
| A69A4R1031 | 315-0101-00 | | | RES.,FXD,CMPSN:100 OHM,5%,0.25W | 01121 | CB1015 |
| A69A4R1032 | 315-0390-00 | | | RES.,FXD,CMPSN:39 OHM,5%,0.25W | 01121 | CB3905 |
| A69A4R1041 | 315-0681-00 | | | RES.,FXD,CMPSN:680 OHM,5%,0.25W | 01121 | CB6815 |
| A69A4R1046 | 315-0470-00 | | | RES.,FXD,CMPSN:47 OHM,5%,0.25W | 01121 | CB4705 |
| A69A4R1050 | 315-0470-00 | | | RES.,FXD,CMPSN:47 OHM,5%,0.25W | 01121 | CB4705 |
| A69A4R1052 | 321-0239-00 | | | RES.,FXD,FILM:3.01K OHM,1%,0.125W | 91637 | MFF1816G30100F |
| A69A4R1056 | 321-0058-00 | | | RES.,FXD,FILM:39.2 OHM,1%,0.125W | 91637 | MFF1816G39R20F |
| A69A4R1060 | 321-0194-00 | | | RES.,FXD,FILM:1.02K OHM,1%,0.125W | 91637 | MFF1816G10200F |
| A69A4R1062 | 321-0164-00 | | | RES.,FXD,FILM:499 OHM,1%,0.125W | 91637 | MFF1816G499R0F |
| A69A4R1064 | 321-0065-00 | | | RES.,FXD,FILM:46.4 OHM,1%,0.125W | 91637 | MFF1816G46R40F |
| A69A4R2011 | 315-0472-00 | | | RES.,FXD,CMPSN:4.7K OHM,5%,0.25W | 01121 | CB4725 |
| A69A4R2012 | 315-0472-00 | | | RES.,FXD,CMPSN:4.7K OHM,5%,0.25W | 01121 | CB4725 |
| A69A4R2018 | 315-0104-00 | | | RES.,FXD,CMPSN:100K OHM,5%,0.25W | 01121 | CB1045 |
| A69A4R2023 | 315-0681-00 | | | RES.,FXD,CMPSN:680 OHM,5%,0.25W | 01121 | CB6815 |
| A69A4R2025 | 311-0635-00 | | | RES.,VAR,NONWIR:1K OHM,10%,0.5%,0.5W | 73138 | 82P-6-2-102K |
| A69A4R2031 | 321-0194-00 | | | RES.,FXD,FILM:1.02K OHM,1%,0.125W | 91637 | MFF1816G10200F |

Replaceable Electrical Parts—496/496P Service Vol.2

| Component No. | Tektronix Part No. | Serial/Model No. Eff | Dscont | Name & Description | Mfr Code | Mfr Part Number |
|---------------|--------------------|----------------------|---------|-----------------------------------|----------|-----------------|
| A69A4R2034 | 321-0164-00 | | | RES.,FXD,FILM:499 OHM,1%,0.125W | 91637 | MFF1816G499R0F |
| A69A4R2035 | 321-0065-00 | | | RES.,FXD,FILM:46.4 OHM,1%,0.125W | 91637 | MFF1816G46R40F |
| A69A4R2039 | 321-0130-00 | | | RES.,FXD,FILM:221 OHM,1%,0.125W | 91637 | MFF1816G221R0F |
| A69A4R2042 | 315-0390-00 | | | RES.,FXD,CMPSN:39 OHM,5%,0.25W | 01121 | CB3905 |
| A69A4R2048 | 321-0097-00 | | | RES.,FXD,FILM:100 OHM,1%,0.125W | 91637 | MFF1816G100R0F |
| A69A4R2051 | 315-0152-00 | | | RES.,FXD,CMPSN:1.5K OHM,5%,0.25W | 01121 | CB1525 |
| A69A4R2053 | 315-0152-00 | | | RES.,FXD,CMPSN:1.5K OHM,5%,0.25W | 01121 | CB1525 |
| A69A4R2057 | 315-0681-00 | | | RES.,FXD,CMPSN:680 OHM,5%,0.25W | 01121 | CB6815 |
| A69A4R2063 | 315-0101-00 | | | RES.,FXD,CMPSN:100 OHM,5%,0.25W | 01121 | CB1015 |
| A69A4R2069 | 301-0201-00 | | | RES.,FXD,CMPSN:200 OHM,5%,0.50W | 01121 | EB2015 |
| A69A4R3014 | 315-0472-00 | | | RES.,FXD,CMPSN:4.7K OHM,5%,0.25W | 01121 | CB4725 |
| A69A4R3015 | 315-0390-00 | | | RES.,FXD,CMPSN:39 OHM,5%,0.25W | 01121 | CB3905 |
| A69A4R3022 | 315-0222-00 | | | RES.,FXD,CMPSN:2.2K OHM,5%,0.25W | 01121 | CB2225 |
| A69A4R3026 | 315-0222-00 | | | RES.,FXD,CMPSN:2.2K OHM,5%,0.25W | 01121 | CB2225 |
| A69A4R3029 | 321-0032-00 | | | RES.,FXD,FILM:21 OHM,1%,0.125W | 91637 | MFF1816G21R00F |
| A69A4R3035 | 311-0622-00 | | | RES.,VAR,NONWIR:100 OHM,10%,0.50W | 32997 | 3329H-G48-101 |
| A69A4R3038 | 321-0026-00 | | | RES.,FXD,FILM:18.2 OHM,1%,0.125W | 91637 | MFF1816G18R20F |
| A69A4R3039 | 315-0104-00 | | | RES.,FXD,CMPSN:100K OHM,5%,0.25W | 01121 | CB1045 |
| A69A4R3044 | 315-0101-00 | | | RES.,FXD,CMPSN:100 OHM,5%,0.25W | 01121 | CB1015 |
| A69A4R3048 | 315-0222-00 | | | RES.,FXD,CMPSN:2.2K OHM,5%,0.25W | 01121 | CB2225 |
| A69A4R3050 | 321-0164-00 | B010100 | B010365 | RES.,FXD,FILM:499 OHM,1%,0.125W | 91637 | MFF1816G499R0F |
| A69A4R3050 | 321-0143-00 | B010366 | | RES.,FXD,FILM:301 OHM,1%,0.125W | 91637 | MFF1816G301R0F |
| A69A4R3052 | 315-0390-00 | | | RES.,FXD,CMPSN:39 OHM,5%,0.25W | 01121 | CB3905 |
| A69A4R3059 | 315-0681-00 | | | RES.,FXD,CMPSN:680 OHM,5%,0.25W | 01121 | CB6815 |
| A69A4R4013 | 321-0160-00 | | | RES.,FXD,FILM:453 OHM,1%,0.125W | 91637 | MFF1816G453R0F |
| A69A4R4026 | 315-0151-00 | | | RES.,FXD,CMPSN:150 OHM,5%,0.25W | 01121 | CB1515 |
| A69A4R4030 | 315-0102-00 | | | RES.,FXD,CMPSN:1K OHM,5%,0.25W | 01121 | CB1025 |
| A69A4R4033 | 315-0102-00 | | | RES.,FXD,CMPSN:1K OHM,5%,0.25W | 01121 | CB1025 |
| A69A4R4035 | 315-0222-00 | | | RES.,FXD,CMPSN:2.2K OHM,5%,0.25W | 01121 | CB2225 |
| A69A4R4045 | 321-0164-00 | B010100 | B010365 | RES.,FXD,FILM:499 OHM,1%,0.125W | 91637 | MFF1816G499R0F |
| A69A4R4045 | 321-0143-00 | B010366 | | RES.,FXD,FILM:301 OHM,1%,0.125W | 91637 | MFF1816G301R0F |
| A69A4R4049 | 315-0221-00 | | | RES.,FXD,CMPSN:220 OHM,5%,0.25W | 01121 | CB2215 |
| A69A4R4052 | 315-0181-00 | | | RES.,FXD,CMPSN:180 OHM,5%,0.25W | 01121 | CB1815 |
| A69A4R4061 | 315-0220-00 | | | RES.,FXD,CMPSN:22 OHM,5%,0.25W | 01121 | CB2205 |
| A69A4R4066 | 315-0220-00 | | | RES.,FXD,CMPSN:22 OHM,5%,0.25W | 01121 | CB2205 |
| A69A4T4019 | 120-1431-00 | | | XFMR,RF:TOROID 2 WINDINGS | 80009 | 120-1431-00 |

| Component No. | Tektronix Part No. | Serial/Model No. Eff Dscont | Name & Description | Mfr Code | Mfr Part Number |
|---------------|--------------------|-----------------------------|-----------------------------------|----------|-----------------|
| A69A5 | 670-5532-03 | | CKT BOARD ASSY:20DB GAIN STEPS | 80009 | 670-5532-03 |
| A69A5C1018 | 283-0204-00 | | CAP.,FXD,CER DI:0.01UF,20%,50V | 96733 | R2676 |
| A69A5C1019 | 283-0204-00 | | CAP.,FXD,CER DI:0.01UF,20%,50V | 96733 | R2676 |
| A69A5C1022 | 283-0204-00 | | CAP.,FXD,CER DI:0.01UF,20%,50V | 96733 | R2676 |
| A69A5C1026 | 283-0204-00 | | CAP.,FXD,CER DI:0.01UF,20%,50V | 96733 | R2676 |
| A69A5C1031 | 283-0204-00 | | CAP.,FXD,CER DI:0.01UF,20%,50V | 96733 | R2676 |
| A69A5C1041 | 283-0111-00 | | CAP.,FXD,CER DI:0.1UF,20%,50V | 56289 | 273C11 |
| A69A5C1042 | 283-0204-00 | | CAP.,FXD,CER DI:0.01UF,20%,50V | 96733 | R2676 |
| A69A5C1045 | 283-0111-00 | | CAP.,FXD,CER DI:0.1UF,20%,50V | 56289 | 273C11 |
| A69A5C2023 | 283-0204-00 | | CAP.,FXD,CER DI:0.01UF,20%,50V | 96733 | R2676 |
| A69A5C2032 | 283-0204-00 | | CAP.,FXD,CER DI:0.01UF,20%,50V | 96733 | R2676 |
| A69A5C2042 | 283-0204-00 | | CAP.,FXD,CER DI:0.01UF,20%,50V | 96733 | R2676 |
| A69A5C2051 | 283-0204-00 | | CAP.,FXD,CER DI:0.01UF,20%,50V | 96733 | R2676 |
| A69A5C2053 | 283-0204-00 | | CAP.,FXD,CER DI:0.01UF,20%,50V | 96733 | R2676 |
| A69A5C2059 | 283-0204-00 | | CAP.,FXD,CER DI:0.01UF,20%,50V | 96733 | R2676 |
| A69A5C2061 | 283-0204-00 | | CAP.,FXD,CER DI:0.01UF,20%,50V | 96733 | R2676 |
| A69A5C2069 | 283-0204-00 | | CAP.,FXD,CER DI:0.01UF,20%,50V | 96733 | R2676 |
| A69A5Q1025 | 151-0302-00 | | TRANSISTOR:SILICON,NPN | 07263 | S038487 |
| A69A5Q1035 | 151-0302-00 | | TRANSISTOR:SILICON,NPN | 07263 | S038487 |
| A69A5Q1043 | 151-0302-00 | | TRANSISTOR:SILICON,NPN | 07263 | S038487 |
| A69A5Q1062 | 151-0301-00 | | TRANSISTOR:SILICON,PNP | 27014 | 2N2907A |
| A69A5Q2018 | 151-0301-00 | | TRANSISTOR:SILICON,PNP | 27014 | 2N2907A |
| A69A5Q2042 | 151-0301-00 | | TRANSISTOR:SILICON,PNP | 27014 | 2N2907A |
| A69A5R1015 | 321-0175-00 | | RES.,FXD,FILM:649 OHM,1%,0.125W | 91637 | MFF1816G649R0F |
| A69A5R1019 | 317-0101-00 | | RES.,FXD,CMPSN:100 OHM,5%,0.125W | 01121 | BB1015 |
| A69A5R1024 | 321-0130-00 | | RES.,FXD,FILM:221 OHM,1%,0.125W | 91637 | MFF1816G221R0F |
| A69A5R1025 | 317-0331-00 | | RES.,FXD,CMPSN:330 OHM,5%,0.125W | 01121 | BB3315 |
| A69A5R1026 | 321-0114-00 | | RES.,FXD,FILM:150 OHM,1%,0.125W | 91637 | MFF1816G150R0F |
| A69A5R1032 | 321-0026-00 | | RES.,FXD,FILM:18.2 OHM,1%,0.125W | 91637 | MFF1816G18R20F |
| A69A5R1037 | 321-0143-00 | | RES.,FXD,FILM:301 OHM,1%,0.125W | 91637 | MFF1816G301R0F |
| A69A5R1038 | 317-0222-00 | | RES.,FXD,CMPSN:2.2K OHM,5%,0.125W | 01121 | BB2225 |
| A69A5R1041 | 317-0331-00 | | RES.,FXD,CMPSN:330 OHM,5%,0.125W | 01121 | BB3315 |
| A69A5R1042 | 321-0130-00 | | RES.,FXD,FILM:221 OHM,1%,0.125W | 91637 | MFF1816G221R0F |
| A69A5R1045 | 317-0331-00 | | RES.,FXD,CMPSN:330 OHM,5%,0.125W | 01121 | BB3315 |
| A69A5R1049 | 315-0101-00 | | RES.,FXD,CMPSN:100 OHM,5%,0.25W | 01121 | CB1015 |
| A69A5R1056 | 317-0104-00 | | RES.,FXD,CMPSN:100K OHM,5%,0.125W | 01121 | BB1045 |
| A69A5R1064 | 315-0101-00 | | RES.,FXD,CMPSN:100 OHM,5%,0.25W | 01121 | CB1015 |
| A69A5R1065 | 317-0222-00 | | RES.,FXD,CMPSN:2.2K OHM,5%,0.125W | 01121 | BB2225 |
| A69A5R2014 | 315-0122-00 | | RES.,FXD,CMPSN:1.2K OHM,5%,0.25W | 01121 | CB1225 |
| A69A5R2019 | 317-0222-00 | | RES.,FXD,CMPSN:2.2K OHM,5%,0.125W | 01121 | BB2225 |
| A69A5R2021 | 317-0104-00 | | RES.,FXD,CMPSN:100K OHM,5%,0.125W | 01121 | BB1045 |
| A69A5R2022 | 317-0222-00 | | RES.,FXD,CMPSN:2.2K OHM,5%,0.125W | 01121 | BB2225 |
| A69A5R2023 | 311-0622-00 | | RES.,VAR,NONWIR:100 OHM,10%,0.50W | 32997 | 3329H-G48-101 |
| A69A5R2026 | 315-0101-00 | | RES.,FXD,CMPSN:100 OHM,5%,0.25W | 01121 | CB1015 |
| A69A5R2031 | 315-0101-00 | | RES.,FXD,CMPSN:100 OHM,5%,0.25W | 01121 | CB1015 |
| A69A5R2039 | 317-0222-00 | | RES.,FXD,CMPSN:2.2K OHM,5%,0.125W | 01121 | BB2225 |
| A69A5R2044 | 321-0114-00 | | RES.,FXD,FILM:150 OHM,1%,0.125W | 91637 | MFF1816G150R0F |
| A69A5R2045 | 321-0085-00 | | RES.,FXD,FILM:75 OHM,1%,0.125W | 91637 | MFF1816G75R00F |
| A69A5R2046 | 317-0104-00 | | RES.,FXD,CMPSN:100K OHM,5%,0.125W | 01121 | BB1045 |
| A69A5R2051 | 315-0102-00 | | RES.,FXD,CMPSN:1K OHM,5%,0.25W | 01121 | CB1025 |
| A69A5R2052 | 315-0102-00 | | RES.,FXD,CMPSN:1K OHM,5%,0.25W | 01121 | CB1025 |
| A69A5R2060 | 311-0622-00 | | RES.,VAR,NONWIR:100 OHM,10%,0.50W | 32997 | 3329H-G48-101 |
| A69A5R2061 | 321-0097-00 | | RES.,FXD,FILM:100 OHM,1%,0.125W | 91637 | MFF1816G100R0F |
| A69A5R2062 | 321-0026-00 | | RES.,FXD,FILM:18.2 OHM,1%,0.125W | 91637 | MFF1816G18R20F |
| A69A5R2063 | 317-0222-00 | | RES.,FXD,CMPSN:2.2K OHM,5%,0.125W | 01121 | BB2225 |

Replaceable Electrical Parts—496/496P Service Vol.2

| Component No. | Tektronix Part No. | Serial/Model No. Eff | Dscont | Name & Description | Mfr Code | Mfr Part Number |
|---------------|--------------------|----------------------|---------|--|----------|-----------------|
| A70Q1017 | 151-0391-00 | | | TRANSISTOR:SILICON,PNP | 80009 | 151-0391-00 |
| A70Q1028 | 151-0301-00 | | | TRANSISTOR:SILICON,PNP | 27014 | 2N2907A |
| A70Q2022 | 151-0192-00 | | | TRANSISTOR:SILICON,NPN,SEL FROM MPS652 | 04713 | SPS8801 |
| A70Q2025 | 151-0302-00 | | | TRANSISTOR:SILICON,NPN | 07263 | S038487 |
| A70Q2042 | 151-0302-00 | | | TRANSISTOR:SILICON,NPN | 07263 | S038487 |
| A70Q2044 | 151-0302-00 | | | TRANSISTOR:SILICON,NPN | 07263 | S038487 |
| A70Q3024 | 151-0290-00 | | | TRANSISTOR:SILICON,NPN | 07263 | S032790 |
| A70Q3025 | 151-0134-00 | | | TRANSISTOR:SILICON,PNP | 80009 | 151-0134-00 |
| A70Q3028 | 151-0391-00 | | | TRANSISTOR:SILICON,PNP | 80009 | 151-0391-00 |
| A70Q3045 | 151-0302-00 | B010100 | B010280 | TRANSISTOR:SILICON,NPN | 07263 | S038487 |
| A70Q3047 | 151-0302-00 | | | TRANSISTOR:SILICON,NPN | 07263 | S038487 |
| A70Q4058 | 151-0615-00 | | | TRANSISTOR:SILICON,NPN | 04713 | SDS358K |
| A70Q4059 | 151-0612-00 | | | TRANSISTOR:SILICON,PNP | 80009 | 151-0612-00 |
| A70Q4063 | 151-0615-00 | B010100 | B010280 | TRANSISTOR:SILICON,NPN | 04713 | SDS358K |
| A70Q4065 | 151-0612-00 | B010100 | B010280 | TRANSISTOR:SILICON,PNP | 80009 | 151-0612-00 |
| A70R1015 | 321-0481-00 | | | RES.,FXD,FILM:1M OHM,1%,0.125W | 24546 | NA4D1004F |
| A70R1021 | 311-1198-00 | | | RES.,VAR, NONWIR:20K OHM,20%,0.5W | 73138 | 72-29-0 |
| A70R1022 | 317-0244-00 | | | RES.,FXD,CMPSN:240K OHM,5%,0.125W | 01121 | BB2445 |
| A70R1023 | 315-0472-00 | | | RES.,FXD,CMPSN:4.7K OHM,5%,0.25W | 01121 | CB4725 |
| A70R1024 | 315-0472-00 | | | RES.,FXD,CMPSN:4.7K OHM,5%,0.25W | 01121 | CB4725 |
| A70R1025 | 315-0682-00 | | | RES.,FXD,CMPSN:6.8K OHM,5%,0.25W | 01121 | CB6825 |

| Component No. | Tektronix Part No. | Serial/Model No. Eff | Dscont | Name & Description | Mfr Code | Mfr Part Number |
|---------------|--------------------|----------------------|---------|---|----------|------------------|
| A70R1026 | 315-0682-00 | | | RES.,FXD,CMPSN:6.8K OHM,5%,0.25W | 01121 | CB6825 |
| A70R1027 | 311-1245-00 | | | RES.,VAR,NONWIR:10K OHM,10%,0.50W | 73138 | 72-28-0 |
| A70R1030 | 311-1248-00 | | | RES.,VAR,NONWIR:500 OHM,10%,0.50W | 73138 | 72-23-0 |
| A70R1045 | 315-0222-00 | | | RES.,FXD,CMPSN:2.2K OHM,5%,0.25W | 01121 | CB2225 |
| A70R1046 | 315-0222-00 | | | RES.,FXD,CMPSN:2.2K OHM,5%,0.25W | 01121 | CB2225 |
| A70R1051 | 311-1247-00 | | | RES.,VAR,NONWIR:1M OHM,10%,0.50W | 73138 | 72-35-0 |
| A70R1052 | 301-0473-00 | | | RES.,FXD,CMPSN:47K OHM,5%,0.50W | 01121 | EB4735 |
| A70R1058 | 311-1241-00 | | | RES.,VAR,NONWIR:100K OHM,10%,0.5W | 32997 | 3386X-T07-104 |
| A70R1063 | 311-1242-00 | B010100 | B010280 | RES.,VAR,NONWIR:200K OHM,10%,0.50W | 02111 | 63X-204-T602 |
| A70R1065 | 301-0104-00 | | | RES.,FXD,CMPSN:100K OHM,5%,0.5W | 01121 | EB1045 |
| A70R1066 | 301-0473-00 | | | RES.,FXD,CMPSN:47K OHM,5%,0.50W | 01121 | EB4735 |
| A70R1067 | 311-1243-00 | B010100 | B010280 | RES.,VAR,NONWIR:500K OHM,10%,0.50W | 73138 | 72-34-0 |
| A70R1068 | 315-0104-00 | B010100 | B010280 | RES.,FXD,CMPSN:100K OHM,5%,0.25W | 01121 | CB1045 |
| A70R1069 | 315-0513-00 | B010100 | B010280 | RES.,FXD,CMPSN:51K OHM,5%,0.25W | 01121 | CB5135 |
| A70R2021 | 317-0103-00 | | | RES.,FXD,CMPSN:10K OHM,5%,0.125W | 01121 | BB1035 |
| A70R2022 | 315-0472-00 | | | RES.,FXD,CMPSN:4.7K OHM,5%,0.25W | 01121 | CB4725 |
| A70R2024 | 321-0275-00 | | | RES.,FXD,FILM:7.15K OHM,1%,0.125W | 91637 | MFF1816G71500F |
| A70R2025 | 315-0103-00 | | | RES.,FXD,CMPSN:10K OHM,5%,0.25W | 01121 | CB1035 |
| A70R2026 | 315-0682-00 | | | RES.,FXD,CMPSN:6.8K OHM,5%,0.25W | 01121 | CB6825 |
| A70R2027 | 315-0103-00 | | | RES.,FXD,CMPSN:10K OHM,5%,0.25W | 01121 | CB1035 |
| A70R2028 | 315-0103-00 | | | RES.,FXD,CMPSN:10K OHM,5%,0.25W | 01121 | CB1035 |
| A70R2051 | 315-0221-00 | | | RES.,FXD,CMPSN:220 OHM,5%,0.25W | 01121 | CB2215 |
| A70R2052 | 315-0102-00 | B010100 | B010280 | RES.,FXD,CMPSN:1K OHM,5%,0.25W | 01121 | CB1025 |
| A70R2053 | 315-0102-00 | B010100 | B010280 | RES.,FXD,CMPSN:1K OHM,5%,0.25W | 01121 | CB1025 |
| A70R2054 | 315-0221-00 | | | RES.,FXD,CMPSN:220 OHM,5%,0.25W | 01121 | CB2215 |
| A70R2055 | 315-0102-00 | | | RES.,FXD,CMPSN:1K OHM,5%,0.25W | 01121 | CB1025 |
| A70R2056 | 315-0242-00 | B010100 | B010280 | RES.,FXD,CMPSN:2.4K OHM,5%,0.25W | 01121 | CB2425 |
| A70R2057 | 301-0753-00 | | | RES.,FXD,CMPSN:75K OHM,5%,0.50W | 01121 | EB7535 |
| A70R2058 | 315-0184-00 | B010100 | B010280 | RES.,FXD,CMPSN:180K OHM,5%,0.25W | 01121 | CB1845 |
| A70R2061 | 315-0101-00 | | | RES.,FXD,CMPSN:100 OHM,5%,0.25W | 01121 | CB1015 |
| A70R2062 | 315-0100-00 | | | RES.,FXD,CMPSN:10 OHM,5%,0.25W | 01121 | CB1005 |
| A70R2063 | 315-0272-00 | | | RES.,FXD,CMPSN:2.7K OHM,5%,0.25W | 01121 | CB2725 |
| A70R2064 | 315-0471-00 | | | RES.,FXD,CMPSN:470 OHM,5%,0.25W | 01121 | CB4715 |
| A70R2065 | 315-0100-00 | B010100 | B010280 | RES.,FXD,CMPSN:10 OHM,5%,0.25W | 01121 | CB1005 |
| A70R2066 | 315-0102-00 | B010100 | B010280 | RES.,FXD,CMPSN:1K OHM,5%,0.25W | 01121 | CB1025 |
| A70R2067 | 315-0392-00 | B010100 | B010280 | RES.,FXD,CMPSN:3.9K OHM,5%,0.25W | 01121 | CB3925 |
| A70R3011 | 315-0103-00 | | | RES.,FXD,CMPSN:10K OHM,5%,0.25W | 01121 | CB1035 |
| A70R3012 | 315-0102-00 | | | RES.,FXD,CMPSN:1K OHM,5%,0.25W | 01121 | CB1025 |
| A70R3013 | 315-0102-00 | | | RES.,FXD,CMPSN:1K OHM,5%,0.25W | 01121 | CB1025 |
| A70R3014 | 315-0103-00 | | | RES.,FXD,CMPSN:10K OHM,5%,0.25W | 01121 | CB1035 |
| A70R3015 | 321-0460-00 | | | RES.,FXD,FILM:604K OHM,1%,0.125W | 91637 | MFF1816G60402F |
| A70R3016 | 315-0123-00 | | | RES.,FXD,CMPSN:12K OHM,5%,0.25W | 01121 | CB1235 |
| A70R3037 | 315-0103-00 | | | RES.,FXD,CMPSN:10K OHM,5%,0.25W | 01121 | CB1035 |
| A70R3045 | 315-0100-00 | | | RES.,FXD,CMPSN:10 OHM,5%,0.25W | 01121 | CB1005 |
| A70R3046 | 315-0100-00 | | | RES.,FXD,CMPSN:10 OHM,5%,0.25W | 01121 | CB1005 |
| A70R3047 | 315-0100-00 | B010100 | B010280 | RES.,FXD,CMPSN:10 OHM,5%,0.25W | 01121 | CB1005 |
| A70R3052 | 315-0563-00 | | | RES.,FXD,CMPSN:56K OHM,5%,0.25W | 01121 | CB5635 |
| A70R4011 | 315-0101-00 | | | RES.,FXD,CMPSN:100 OHM,5%,0.25W | 01121 | CB1015 |
| A70R4012 | 321-0356-00 | | | RES.,FXD,FILM:49.9K OHM,1%,0.125W | 91637 | MFF1816G49901F |
| A70U2034 | 156-0733-02 | | | MICROCIRCUIT,DI:DUAL MONOSTABLE MV,SCRN | 04713 | SN74LS221N/J |
| A70U2036 | 156-0385-02 | | | MICROCIRCUIT,DI:HEX INVERTER | 01295 | SN74LS04 |
| A70U2038 | 156-0467-02 | | | MICROCIRCUIT,DI:QUAD 2-INP NAND BFR,SCRN | 01295 | SN74LS38 |
| A70U2039 | 156-0452-02 | | | MICROCIRCUIT,DI:4-WIDE,2-INP AOI,SCREENED | 07263 | 74LS54 |
| A70U2045 | 156-0469-02 | | | MICROCIRCUIT,DI:3/8 LINE DCDR | 01295 | SN74LS138NP3 |
| A70U3029 | 156-0206-02 | | | MICROCIRCUIT,DI:CORE DRIVER,SCREENED | 01295 | SN75325(NP3 OR J |

Replaceable Electrical Parts—496/496P Service Vol.2

| Component No. | Tektronix Part No. | Serial/Model No. Eff Dscont | Name & Description | Mfr Code | Mfr Part Number |
|---------------|-----------------------|--------------------------------|--|-------------|------------------|
| A70U3034 | 156-0206-02 | | MICROCIRCUIT,DI: CORE DRIVER,SCREENED | 01295 | SN75325(NP3 OR J |
| A70U3038 | 156-0206-02 | | MICROCIRCUIT,DI: CORE DRIVER,SCREENED | 01295 | SN75325(NP3 OR J |
| A70U3046 | 156-0913-02 | | MICROCIRCUIT,DI:OCTAL D FF,BURN-IN | 04713 | SN74LS377NDS |
| A70U4023 | 156-0067-12 | | MICROCIRCUIT,LJ: OPERATIONAL AMPLIFIER | 01295 | UA741CJG |
| A70VR1052 | 152-0288-00 | | SEMICONV DEVICE:ZENER,0.4W,140V,5% | 12954 | DZ720717C |
| A70VR2014 | 152-0265-00 | | SEMICONV DEVICE:ZENER,0.4W,24V,5% | 04713 | SZG35009K8 |
| A70VR2062 | 152-0087-00 | | SEMICONV DEVICE:ZENER,1W,100V,5% | 04713 | SZ1627RL |
| A70VR3015 | 152-0281-00 | | SEMICONV DEVICE:ZENER,0.4W,22V,5% | 12954 | 1N969B |

| Component No. | Tektronix Part No. | Serial/Model No. Eff | Dscont | Name & Description | Mfr Code | Mfr Part Number |
|---------------|--------------------|----------------------|---------|---|----------|------------------|
| A72 | 670-5549-01 | B010100 | B010451 | CKT BOARD ASSY:SWEEP | 80009 | 670-5549-01 |
| A72 | 670-5549-02 | B010452 | | CKT BOARD ASSY:: SWEEP | 80009 | 670-5549-02 |
| A72C1013 | 283-0110-00 | | | CAP.,FXD,CER DI:0.005UF,+ 80-20%,150V | 59660 | 855-547-E-502Z |
| A72C1032 | 283-0111-00 | | | CAP.,FXD,CER DI:0.1UF,20%,50V | 56289 | 273C11 |
| A72C1033 | 283-0177-00 | | | CAP.,FXD,CER DI:1UF,+ 80-20%,25V | 56289 | 2C20Z5U105Z025B |
| A72C1038 | 283-0111-00 | | | CAP.,FXD,CER DI:0.1UF,20%,50V | 56289 | 273C11 |
| A72C1046 | 283-0177-00 | | | CAP.,FXD,CER DI:1UF,+ 80-20%,25V | 56289 | 2C20Z5U105Z025B |
| A72C1083 | 283-0108-00 | | | CAP.,FXD,CER DI:220PF,10%,200V | 56289 | 1C10C0G221K200B |
| A72C2042 | 283-0111-00 | | | CAP.,FXD,CER DI:0.1UF,20%,50V | 56289 | 273C11 |
| A72C2067 | 283-0111-00 | | | CAP.,FXD,CER DI:0.1UF,20%,50V | 56289 | 273C11 |
| A72C2085 | 283-0212-00 | | | CAP.,FXD,CER DI:2UF,20%,50V | 51642 | 400-050-Z5U205M |
| A72C2094 | 295-0171-00 | | | CAP.,SET,MTCHD:510PF,0.05UF,5UF | 84411 | TEK-140-000-51 |
| A72C2098 | 295-0171-00 | | | CAP.,SET,MTCHD:510PF,0.05UF,5UF | 84411 | TEK-140-000-51 |
| A72C3027 | 283-0203-00 | B010100 | B010451 | CAP.,FXD,CER DI:0.47UF,20%,50V | 72982 | 8131M058Z5U0474M |
| A72C3027 | 283-0212-00 | B010452 | | CAP.,FXD,CER DI:2UF,20%,50V | 51642 | 400-050-Z5U205M |
| A72C3028 | 290-0536-00 | | | CAP.,FXD,ELCTLT:10UF,20%,25V | 90201 | TDC106M025FL |
| A72C3069 | 290-0755-00 | | | CAP.,FXD,ELCTLT:100UF,+ 50-10%,10V | 55680 | ULA1A01TEA |
| A72C3071 | 283-0108-00 | | | CAP.,FXD,CER DI:220PF,10%,200V | 56289 | 1C10C0G221K200B |
| A72C3075 | 283-0212-00 | | | CAP.,FXD,CER DI:2UF,20%,50V | 51642 | 400-050-Z5U205M |
| A72C3079 | 295-0171-00 | | | CAP.,SET,MTCHD:510PF,0.05UF,5UF | 84411 | TEK-140-000-51 |
| A72C4059 | 283-0111-00 | | | CAP.,FXD,CER DI:0.1UF,20%,50V | 56289 | 273C11 |
| A72C4069 | 283-0111-00 | | | CAP.,FXD,CER DI:0.1UF,20%,50V | 56289 | 273C11 |
| A72C4082 | 283-0111-00 | | | CAP.,FXD,CER DI:0.1UF,20%,50V | 56289 | 273C11 |
| A72C4084 | 290-0768-00 | | | CAP.,FXD,ELCTLT:10UF,+ 50-10%,100V | 54473 | ECE-A100V10L |
| A72C4087 | 290-0574-00 | | | CAP.,FXD,ELCTLT:47UF,10%,20V | 90201 | TDC476K020CL |
| A72C4091 | 283-0094-00 | | | CAP.,FXD,CER DI:27PF,10%,200V | 59660 | 835-583-C0G0270K |
| A72C4109 | 283-0111-00 | | | CAP.,FXD,CER DI:0.1UF,20%,50V | 56289 | 273C11 |
| A72C5024 | 283-0111-00 | | | CAP.,FXD,CER DI:0.1UF,20%,50V | 56289 | 273C11 |
| A72C5044 | 283-0111-00 | | | CAP.,FXD,CER DI:0.1UF,20%,50V | 56289 | 273C11 |
| A72C5058 | 283-0168-00 | | | CAP.,FXD,CER DI:12PF,5%,100V | 72982 | 8101B121C0G0120J |
| A72C5059 | 283-0111-00 | | | CAP.,FXD,CER DI:0.1UF,20%,50V | 56289 | 273C11 |
| A72C5061 | 283-0204-00 | | | CAP.,FXD,CER DI:0.01UF,20%,50V | 96733 | R2676 |
| A72C5078 | 283-0004-00 | | | CAP.,FXD,CER DI:0.02UF,+ 80-20%,150V | 59821 | SDDH69J203Z |
| A72C5091 | 290-0309-00 | | | CAP.,FXD,ELCTLT:100UF,20%,25V | 56289 | 109D107X0025F2 |
| A72C6061 | 283-0111-00 | | | CAP.,FXD,CER DI:0.1UF,20%,50V | 56289 | 273C11 |
| A72C6062 | 283-0111-00 | | | CAP.,FXD,CER DI:0.1UF,20%,50V | 56289 | 273C11 |
| A72C6071 | 283-0330-00 | | | CAP.,FXD,CER DI:100PF,5%,50V | 51642 | 150-050-NP0-101J |
| A72C6072 | 283-0198-00 | | | CAP.,FXD,CER DI:0.22UF,20%,50V | 56289 | 1C10Z5U223M050B |
| A72C6083 | 283-0198-00 | | | CAP.,FXD,CER DI:0.22UF,20%,50V | 56289 | 1C10Z5U223M050B |
| A72C7092 | 283-0111-00 | | | CAP.,FXD,CER DI:0.1UF,20%,50V | 56289 | 273C11 |
| A72CR1035 | 152-0141-02 | | | SEMICONV DEVICE:SILICON,30V,150MA | 01295 | 1N4152R |
| A72CR1088 | 152-0141-02 | | | SEMICONV DEVICE:SILICON,30V,150MA | 01295 | 1N4152R |
| A72CR1089 | 152-0141-02 | | | SEMICONV DEVICE:SILICON,30V,150MA | 01295 | 1N4152R |
| A72CR2075 | 152-0322-00 | | | SEMICONV DEVICE:SILICON,15V,HOT CARRIER | 50434 | 5082-2672 |
| A72CR2086 | 152-0141-02 | | | SEMICONV DEVICE:SILICON,30V,150MA | 01295 | 1N4152R |
| A72CR2101 | 152-0246-00 | | | SEMICONV DEVICE:SW,SI,40V,200MA | 03508 | DE140 |
| A72CR2102 | 152-0246-00 | | | SEMICONV DEVICE:SW,SI,40V,200MA | 03508 | DE140 |
| A72CR3034 | 152-0141-02 | | | SEMICONV DEVICE:SILICON,30V,150MA | 01295 | 1N4152R |
| A72CR3035 | 152-0141-02 | | | SEMICONV DEVICE:SILICON,30V,150MA | 01295 | 1N4152R |
| A72L4065 | 108-0417-01 | | | COIL,RF:FIXED,110UH | 80009 | 108-0417-01 |
| A72Q1047 | 151-0302-00 | | | TRANSISTOR:SILICON,NPN | 07263 | S038487 |
| A72Q1078 | 151-0232-00 | | | TRANSISTOR:SILICON,NPN,DUAL | 07263 | SP12141 |
| A72Q2074 | 151-0302-00 | | | TRANSISTOR:SILICON,NPN | 07263 | S038487 |
| A72Q2084 | 151-0232-00 | | | TRANSISTOR:SILICON,NPN,DUAL | 07263 | SP12141 |
| A72Q2107 | 151-1022-00 | | | TRANSISTOR:FET,N-CHAN,SI,F1782,T0-18 | 17856 | FN1234 |

Replaceable Electrical Parts—496/496P Service Vol.2

| Component No. | Tektronix Part No. | Serial/Model No. Eff | Dscont | Name & Description | Mfr Code | Mfr Part Number |
|---------------|--------------------|----------------------|---------|--------------------------------------|----------|-----------------|
| A72Q3090 | 151-1022-00 | | | TRANSISTOR:FET,N-CHAN,SI,F1782,T0-18 | 17856 | FN1234 |
| A72Q3095 | 151-1022-00 | | | TRANSISTOR:FET,N-CHAN,SI,F1782,T0-18 | 17856 | FN1234 |
| A72Q3100 | 151-1022-00 | | | TRANSISTOR:FET,N-CHAN,SI,F1782,T0-18 | 17856 | FN1234 |
| A72Q4051 | 151-0302-00 | | | TRANSISTOR:SILICON,NPN | 07263 | S038487 |
| A72Q4052 | 151-0302-00 | | | TRANSISTOR:SILICON,NPN | 07263 | S038487 |
| A72R1011 | 315-0104-00 | | | RES.,FXD,CMPSN:100K OHM,5%,0.25W | 01121 | CB1045 |
| A72R1012 | 315-0101-00 | | | RES.,FXD,CMPSN:100 OHM,5%,0.25W | 01121 | CB1015 |
| A72R1018 | 315-0103-00 | | | RES.,FXD,CMPSN:10K OHM,5%,0.25W | 01121 | CB1035 |
| A72R1019 | 315-0153-00 | | | RES.,FXD,CMPSN:15K OHM,5%,0.25W | 01121 | CB1535 |
| A72R1028 | 315-0103-00 | | | RES.,FXD,CMPSN:10K OHM,5%,0.25W | 01121 | CB1035 |
| A72R1029 | 315-0101-00 | | | RES.,FXD,CMPSN:100 OHM,5%,0.25W | 01121 | CB1015 |
| A72R1034 | 315-0103-00 | | | RES.,FXD,CMPSN:10K OHM,5%,0.25W | 01121 | CB1035 |
| A72R1035 | 315-0102-00 | | | RES.,FXD,CMPSN:1K OHM,5%,0.25W | 01121 | CB1025 |
| A72R1036 | 315-0102-00 | | | RES.,FXD,CMPSN:1K OHM,5%,0.25W | 01121 | CB1025 |
| A72R1043 | 315-0103-00 | | | RES.,FXD,CMPSN:10K OHM,5%,0.25W | 01121 | CB1035 |
| A72R1073 | 315-0103-00 | | | RES.,FXD,CMPSN:10K OHM,5%,0.25W | 01121 | CB1035 |
| A72R1082 | 315-0302-00 | | | RES.,FXD,CMPSN:3K OHM,5%,0.25W | 01121 | CB3025 |
| A72R1084 | 315-0302-00 | | | RES.,FXD,CMPSN:3K OHM,5%,0.25W | 01121 | CB3025 |
| A72R1085 | 315-0103-00 | | | RES.,FXD,CMPSN:10K OHM,5%,0.25W | 01121 | CB1035 |
| A72R2012 | 321-0259-00 | | | RES.,FXD,FILM:4.87K OHM,1%,0.125W | 91637 | MFF1816G48700F |
| A72R2013 | 321-0163-00 | | | RES.,FXD,FILM:487 OHM,1%,0.125W | 91637 | MFF1816G487R0F |
| A72R2062 | 315-0102-00 | | | RES.,FXD,CMPSN:1K OHM,5%,0.25W | 01121 | CB1025 |
| A72R2066 | 315-0101-00 | | | RES.,FXD,CMPSN:100 OHM,5%,0.25W | 01121 | CB1015 |
| A72R2077 | 315-0302-00 | | | RES.,FXD,CMPSN:3K OHM,5%,0.25W | 01121 | CB3025 |
| A72R2078 | 315-0272-00 | | | RES.,FXD,CMPSN:2.7K OHM,5%,0.25W | 01121 | CB2725 |
| A72R2081 | 315-0103-00 | | | RES.,FXD,CMPSN:10K OHM,5%,0.25W | 01121 | CB1035 |
| A72R2082 | 315-0103-00 | | | RES.,FXD,CMPSN:10K OHM,5%,0.25W | 01121 | CB1035 |
| A72R2083 | 315-0272-00 | | | RES.,FXD,CMPSN:2.7K OHM,5%,0.25W | 01121 | CB2725 |
| A72R2092 | 315-0104-00 | | | RES.,FXD,CMPSN:100K OHM,5%,0.25W | 01121 | CB1045 |
| A72R2093 | 315-0104-00 | | | RES.,FXD,CMPSN:100K OHM,5%,0.25W | 01121 | CB1045 |
| A72R2099 | 315-0821-00 | | | RES.,FXD,CMPSN:820 OHM,5%,0.25W | 01121 | CB8215 |
| A72R2105 | 315-0104-00 | | | RES.,FXD,CMPSN:100K OHM,5%,0.25W | 01121 | CB1045 |
| A72R3011 | 315-0106-00 | | | RES.,FXD,CMPSN:10M OHM,5%,0.25W | 01121 | CB1065 |
| A72R3012 | 315-0153-00 | | | RES.,FXD,CMPSN:15K OHM,5%,0.25W | 01121 | CB1535 |
| A72R3013 | 315-0103-00 | | | RES.,FXD,CMPSN:10K OHM,5%,0.25W | 01121 | CB1035 |
| A72R3016 | 315-0105-00 | | | RES.,FXD,CMPSN:1M OHM,5%,0.25W | 01121 | CB1055 |
| A72R3017 | 321-0256-00 | | | RES.,FXD,FILM:4.53K OHM,1%,0.125W | 91637 | MFF1816G45300F |
| A72R3022 | 315-0153-00 | | | RES.,FXD,CMPSN:15K OHM,5%,0.25W | 01121 | CB1535 |
| A72R3023 | 315-0103-00 | | | RES.,FXD,CMPSN:10K OHM,5%,0.25W | 01121 | CB1035 |
| A72R3025 | 315-0391-00 | | | RES.,FXD,CMPSN:390 OHM,5%,0.25W | 01121 | CB3915 |
| A72R3027 | 315-0104-00 | | | RES.,FXD,CMPSN:100K OHM,5%,0.25W | 01121 | CB1045 |
| A72R3082 | 315-0302-00 | | | RES.,FXD,CMPSN:3K OHM,5%,0.25W | 01121 | CB3025 |
| A72R3086 | 315-0103-00 | | | RES.,FXD,CMPSN:10K OHM,5%,0.25W | 01121 | CB1035 |
| A72R3087 | 315-0100-00 | | | RES.,FXD,CMPSN:10 OHM,5%,0.25W | 01121 | CB1005 |
| A72R3103 | 315-0104-00 | B010100 | B010451 | RES.,FXD,CMPSN:100K OHM,5%,0.25W | 01121 | CB1045 |
| A72R3103 | 321-0431-00 | B010542 | | RES.,FXD,FILM:301K OHM,1%,0.125W | 91637 | MFF1816G30102F |
| A72R3104 | 315-0511-00 | | | RES.,FXD,CMPSN:510 OHM,5%,0.25W | 01121 | CB5115 |
| A72R3105 | 321-0317-00 | B010100 | B010451 | RES.,FXD,FILM:19.6K OHM,1%,0.125W | 91637 | MFF1816G19601F |
| A72R3105 | 321-0384-00 | B010542 | | RES.,FXD,FILM:97.6K OHM,1%,0.125W | 91637 | MFF1816G97601F |
| A72R3106 | 315-0472-00 | | | RES.,FXD,CMPSN:4.7K OHM,5%,0.25W | 01121 | CB4725 |
| A72R4051 | 315-0272-00 | | | RES.,FXD,CMPSN:2.7K OHM,5%,0.25W | 01121 | CB2725 |
| A72R4052 | 315-0182-00 | | | RES.,FXD,CMPSN:1.8K OHM,5%,0.25W | 01121 | CB1825 |
| A72R4057 | 315-0182-00 | | | RES.,FXD,CMPSN:1.8K OHM,5%,0.25W | 01121 | CB1825 |
| A72R4058 | 315-0272-00 | | | RES.,FXD,CMPSN:2.7K OHM,5%,0.25W | 01121 | CB2725 |
| A72R4091 | 315-0470-00 | | | RES.,FXD,CMPSN:47 OHM,5%,0.25W | 01121 | CB4705 |

| Component No. | Tektronix Part No. | Serial/Model No. Eff | Serial/Model No. Dscont | Name & Description | Mfr Code | Mfr Part Number |
|---------------|--------------------|----------------------|-------------------------|--|----------|-----------------|
| A72R4098 | 321-0233-00 | B010100 | B010451 | RES.,FXD,FILM:2.61K OHM,1%,0.125W | 91637 | MFF1816G26100F |
| A72R4098 | 321-0307-00 | B010452 | | RES.,FXD,FILM:15.4K OHM,1%,0.125W | 91637 | MFF1816G15401F |
| A72R4105 | 321-0393-00 | | | RES.,FXD,FILM:121K OHM,1%,0.125W | 91637 | MFF1816G12102F |
| A72R5064 | 321-0258-00 | | | RES.,FXD,FILM:4.75K OHM,1%,0.125W | 91637 | MFF1816G47500F |
| A72R5065 | 321-0258-00 | | | RES.,FXD,FILM:4.75K OHM,1%,0.125W | 91637 | MFF1816G47500F |
| A72R5074 | 315-0200-00 | | | RES.,FXD,CMPSN:20 OHM,5%,0.25W | 01121 | CB2005 |
| A72R5081 | 315-0101-00 | | | RES.,FXD,CMPSN:100 OHM,5%,0.25W | 01121 | CB1015 |
| A72R5091 | 315-0122-00 | | | RES.,FXD,CMPSN:1.2K OHM,5%,0.25W | 01121 | CB1225 |
| A72R5092 | 321-0318-07 | | | RES.,FXD,FILM:20K OHM,0.1%,0.125W | 24546 | NE55E2002B |
| A72R5094 | 321-0816-07 | | | RES.,FXD,FILM:5K OHM,0.1%,0.125W | 91637 | MFF1816C50000B |
| A72R5102 | 321-0995-00 | | | RES.,FXD,FILM:549K OHM,1%,0.125W | 24546 | NA55D5493F |
| A72R5103 | 321-1388-01 | | | RES.,FXD,FILM:109K OHM,0.5%,0.125W | 24546 | NA55D1093D |
| A72R5104 | 321-0427-00 | | | RES.,FXD,FILM:274K OHM,1%,0.125W | 24546 | NA55D2743F |
| A72R5105 | 311-1240-00 | | | RES.,VAR,NONWIR:25K OHM,10%,0.50W | 73138 | 72-30-0 |
| A72R6052 | 321-0310-00 | | | RES.,FXD,FILM:16.5K OHM,1%,0.125W | 91637 | MFF1816G16501F |
| A72R6058 | 315-0752-00 | | | RES.,FXD,CMPSN:7.5K OHM,5%,0.25W | 01121 | CB7525 |
| A72R6059 | 315-0470-00 | | | RES.,FXD,CMPSN:47 OHM,5%,0.25W | 01121 | CB4705 |
| A72R6066 | 315-0470-00 | | | RES.,FXD,CMPSN:47 OHM,5%,0.25W | 01121 | CB4705 |
| A72R6067 | 315-0562-00 | | | RES.,FXD,CMPSN:5.6K OHM,5%,0.25W | 01121 | CB5625 |
| A72R6071 | 321-0301-00 | | | RES.,FXD,FILM:13.3K OHM,1%,0.125W | 91637 | MFF1816G13301F |
| A72R6081 | 315-0183-00 | | | RES.,FXD,CMPSN:18K OHM,5%,0.25W | 01121 | CB1835 |
| A72R6082 | 315-0822-00 | | | RES.,FXD,CMPSN:8.2K OHM,5%,0.25W | 01121 | CB8225 |
| A72R6083 | 315-0101-00 | | | RES.,FXD,CMPSN:100 OHM,5%,0.25W | 01121 | CB1015 |
| A72R6086 | 321-0289-00 | | | RES.,FXD,FILM:10K OHM,1%,0.125W | 91637 | MFF1816G10001F |
| A72R6091 | 321-0318-00 | | | RES.,FXD,FILM:20K OHM,1%,0.125W | 91637 | MFF1816G20001F |
| A72R6092 | 321-0289-00 | | | RES.,FXD,FILM:10K OHM,1%,0.125W | 91637 | MFF1816G10001F |
| A72R6094 | 321-0983-00 | | | RES.,FXD,FILM:4.5K OHM,1%,0.125W | 91637 | CM110216G45003F |
| A72R6095 | 321-1627-06 | | | RES.,FXD,FILM:731.3K OHM,0.25%,0.125W | 91637 | MFF1816C73132C |
| A72R6101 | 321-0280-00 | | | RES.,FXD,FILM:8.06K OHM,1%,0.125W | 91637 | MFF1816G80600F |
| A72R6102 | 321-0352-00 | | | RES.,FXD,FILM:45.3K OHM,1%,0.125W | 91637 | MFF1816G45301F |
| A72R6103 | 321-0807-00 | | | RES.,FXD,FILM:900K OHM,1%,0.125W | 91637 | HFF1104F90002F |
| A72R6104 | 321-0510-07 | | | RES.,FXD,FILM:2.00 MEG OHM,0.125W | 91637 | HFF1813C20003B |
| A72R7091 | 321-0244-00 | B010100 | B010451 | RES.,FXD,FILM:3.4K OHM,1%,0.125W | 91637 | MFF1816G34000F |
| A72R7091 | 321-0274-00 | B010452 | | RES.,FXD,FILM:6.98K OHM,1%,0.125W | 91637 | MFF1816G69800F |
| A72R7093 | 321-0274-00 | B010100 | B010451 | RES.,FXD,FILM:6.98K OHM,1%,0.125W | 91637 | MFF1816G69800F |
| A72R7093 | 321-0350-00 | B010452 | | RES.,FXD,FILM:43.2K OHM,1%,0.125W | 91637 | MFF1816G43201F |
| A72R7101 | 321-1484-03 | | | RES.,FXD,FILM:1.09M OHM,0.25%,0.125W | 91637 | HFF188D10903C |
| A72R7102 | 321-0291-00 | B010100 | B010451 | RES.,FXD,FILM:10.5K OHM,1%,0.125W | 91637 | MFF1816G10501F |
| A72R7102 | 321-0367-00 | B010452 | | RES.,FXD,FILM:64.9K OHM,1%,0.125W | 91637 | MFF1816G64901F |
| A72R7103 | 321-0274-00 | B010100 | B010451 | RES.,FXD,FILM:6.98K OHM,1%,0.125W | 91637 | MFF1816G69800F |
| A72R7103 | 321-0350-00 | B010452 | | RES.,FXD,FILM:43.2K OHM,1%,0.125W | 91637 | MFF1816G43201F |
| A72U1052 | 156-0645-02 | | | MICROCIRCUIT,DI:HEX INV ST NAND GATES,SCRN | 01295 | SN74LS14 |
| A72U2015 | 156-0411-02 | | | MICROCIRCUIT,LI:QUAD COMPARATOR,SEL | 04713 | LM339JDS |
| A72U2024 | 156-0388-03 | | | MICROCIRCUIT,DI:DUAL D FLIP-FLOP | 07263 | 74LS74A |
| A72U2034 | 156-0388-03 | | | MICROCIRCUIT,DI:DUAL D FLIP-FLOP | 07263 | 74LS74A |
| A72U2043 | 156-0391-02 | | | MICROCIRCUIT,DI:HEX LATCH W/CLEAR | 01295 | SN74LS174 |
| A72U3034 | 156-0798-02 | | | MICROCIRCUIT,DI:DUAL 14 TO 1 LINE SEL/MUX | 01295 | SN74LS153 |
| A72U3042 | 156-0391-02 | | | MICROCIRCUIT,DI:HEX LATCH W/CLEAR | 01295 | SN74LS174 |
| A72U3061 | 156-0382-02 | | | MICROCIRCUIT,DI:QUAD 2-INP NAND GATE | 01295 | SN74LS00 |
| A72U4016 | 156-0383-02 | | | MICROCIRCUIT,DI:QUAD 2-INP NOR GATE | 01295 | SN74LS02 |
| A72U4026 | 156-0153-02 | | | MICROCIRCUIT,DI:HEX INVERTER BUFFER | 27014 | DM8006 |
| A72U4095 | 156-1249-00 | | | MICROCIRCUIT,LI:VOLTAGE REFERENCE | 24355 | AD40227 |
| A72U4101 | 156-0512-02 | B010100 | B010199 | MICROCIRCUIT,LI:OPERATIONAL AMPLIFIER,SEL | 04713 | LM308J-8DS |
| A72U4101 | 156-0512-03 | B010200 | | MICROCIRCUIT,LI:OPERATIONAL AMPLIFIER | 04713 | LM308J-8 |
| A72U5016 | 156-0382-02 | | | MICROCIRCUIT,DI:QUAD 2-INP NAND GATE | 01295 | SN74LS00 |

Replaceable Electrical Parts—496/496P Service Vol.2

| Component No. | Tektronix Part No. | Serial/Model No. | | Name & Description | Mfr Code | Mfr Part Number |
|---------------|--------------------|------------------|---------|--|----------|-----------------|
| | | Eff | Dscont | | | |
| A72U5026 | 156-0388-03 | | | MICROCIRCUIT,DI:DUAL D FLIP-FLOP | 07263 | 74LS74A |
| A72U5033 | 156-0956-02 | | | MICROCIRCUIT,DI:OCTAL BFR W/3 STATE OUT | 01295 | SN74LS244NP3 |
| A72U5043 | 156-0469-02 | | | MICROCIRCUIT,DI:3/8 LINE DCDR | 01295 | SN74LS138NP3 |
| A72U5052 | 156-0382-02 | | | MICROCIRCUIT,DI:QUAD 2-INP NAND GATE | 01295 | SN74LS00 |
| A72U5085 | 156-0411-02 | | | MICROCIRCUIT,LI:QUAD COMPARATOR,SEL | 04713 | LM339JDS |
| A72U6061 | 156-0742-02 | | | MICROCIRCUIT,LI:OPERATIONAL AMPLIFIER,SEL | 01295 | LM318JG |
| A72U6071 | 156-0512-02 | B010100 | B010199 | MICROCIRCUIT,LI:OPERATIONAL AMPLIFIER,SEL | 04713 | LM308J-8DS |
| A72U6071 | 156-0512-03 | B010200 | | MICROCIRCUIT,LI:OPERATIONAL AMPLIFIER | 04713 | LM308J-8 |
| A72U6092 | 156-0158-04 | | | MICROCIRCUIT,LI:DUAL OPERATIONAL AMPLIFIER | 01295 | N99320JG |
| A72U6102 | 156-1270-00 | | | MICROCIRCUIT,LI:8 CHAN ANALOG MULTIPLEXER | 27014 | LF11508D |
| A72VR2093 | 152-0611-00 | | | SEMICONV DEVICE:ZENER,0.4W,9V,2% | 80009 | 152-0611-00 |
| A72VR2103 | 152-0437-00 | | | SEMICONV DEVICE:ZENER,SI,8.2V,2%,0.4W | 14552 | TD332679 |
| A72VR3106 | 152-0437-00 | | | SEMICONV DEVICE:ZENER,SI,8.2V,2%,0.4W | 14552 | TD332679 |
| A72VR6086 | 152-0127-00 | | | SEMICONV DEVICE:ZENER,0.4W,7.5V,5% | 04713 | SZG35009K2 |
| A72W1028 | 131-0993-00 | | | BUS,CONDUCTOR:2 WIRE BLACK | 00779 | 850100-01 |
| A72W3011 | 131-0993-00 | | | BUS,CONDUCTOR:2 WIRE BLACK | 00779 | 850100-01 |
| A72W4105 | 131-0993-00 | | | BUS,CONDUCTOR:2 WIRE BLACK | 00779 | 850100-01 |

| Component No. | Tektronix | Serial/Model No. | | Name & Description | Mfr | Mfr Part Number |
|---------------|-------------|------------------|---------|--|-------|------------------|
| | Part No. | Eff | Dscont | | Code | |
| A74 | 670-5559-00 | B010100 | B010217 | CKT BOARD ASSY:HIGH VOLTAGE | 80009 | 670-5559-00 |
| A74 | 670-5559-01 | B010218 | B010365 | CKT BOARD ASSY:HIGH VOLTAGE | 80009 | 670-5559-01 |
| A74 | 670-5559-03 | B010366 | | CKT BOARD ASSY:HIGH VOLTAGE | 80009 | 670-5559-03 |
| A74C1038 | 283-0177-00 | | | CAP.,FXD,CER DI:1UF,+80-20%,25V | 56289 | 2C20Z5U105Z025B |
| A74C1043 | 283-0208-00 | | | CAP.,FXD,CER DI:0.22UF,10%,200V | 72982 | 8151N230 C 224K |
| A74C1058 | 283-0615-00 | B010100 | B010217 | CAP.,FXD,MICA D:33PF,5%,500V | 00853 | D155E330J0 |
| A74C1058 | 283-0728-00 | B010218 | | CAP.,FXD,MICA D:120PF,1%,500V | 00853 | D155F121F0 |
| A74C2084 | 290-0414-00 | | | CAP.,FXD,ELCTLT:8UF,+50-10%,200V | 90201 | TT8R0T200C1C3P |
| A74C3067 | 283-0615-00 | B010100 | B010217 | CAP.,FXD,MICA D:33PF,5%,500V | 00853 | D155E330J0 |
| A74C3073 | 283-0197-00 | | | CAP.,FXD,CER DI:470PF,5%,100V | 72982 | 8121N075C0G0471J |
| A74C3076 | 283-0005-00 | B010100 | B010365 | CAP.,FXD,CER DI:0.01UF,+100-0%,250V | 72982 | 8131N300Z5U0103P |
| A74C3076 | 283-0220-00 | B010366 | | CAP.,FXD,CER DI:0.01UF,20%,50V | 72982 | 8121N075X7R0103M |
| A74C3086 | 283-0198-00 | | | CAP.,FXD,CER DI:0.22UF,20%,50V | 56289 | 1C10Z5U223M050B |
| A74C3088 | 283-0198-00 | | | CAP.,FXD,CER DI:0.22UF,20%,50V | 56289 | 1C10Z5U223M050B |
| A74C4072 | 283-0210-00 | | | CAP.,FXD,CER DI:0.0056UF,20%,50V | 72982 | 8131N145W5R562M |
| A74CR1044 | 152-0107-03 | | | SEMICONV DEVICE:SILICON,375V,400MA,SEL | 01295 | G727 |
| A74CR1046 | 152-0242-00 | | | SEMICONV DEVICE:SILICON,225V,200MA | 07263 | FDH5004 |
| A74CR1047 | 152-0141-02 | B010218 | | SEMICONV DEVICE:SILICON,30V,150MA | 01295 | 1N4152R |
| A74CR1048 | 152-0141-02 | B010218 | | SEMICONV DEVICE:SILICON,30V,150MA | 01295 | 1N4152R |
| A74CR1049 | 152-0107-03 | | | SEMICONV DEVICE:SILICON,375V,400MA,SEL | 01295 | G727 |
| A74CR1056 | 152-0242-00 | | | SEMICONV DEVICE:SILICON,225V,200MA | 07263 | FDH5004 |
| A74CR1086 | 152-0400-00 | | | SEMICONV DEVICE:SILICON,400V,1A | 80009 | 152-0400-00 |
| A74CR2044 | 152-0242-00 | | | SEMICONV DEVICE:SILICON,225V,200MA | 07263 | FDH5004 |
| A74CR2046 | 152-0242-00 | | | SEMICONV DEVICE:SILICON,225V,200MA | 07263 | FDH5004 |
| A74CR3077 | 152-0141-02 | | | SEMICONV DEVICE:SILICON,30V,150MA | 01295 | 1N4152R |
| A74CR4061 | 152-0242-00 | B010100 | B010217 | SEMICONV DEVICE:SILICON,225V,200MA | 07263 | FDH5004 |
| A74CR4062 | 152-0242-00 | B010100 | B010217 | SEMICONV DEVICE:SILICON,225V,200MA | 07263 | FDH5004 |
| A74CR4064 | 152-0242-00 | B010100 | B010217 | SEMICONV DEVICE:SILICON,225V,200MA | 07263 | FDH5004 |
| A74CR4071 | 152-0141-02 | | | SEMICONV DEVICE:SILICON,30V,150MA | 01295 | 1N4152R |
| A74CR4077 | 152-0141-02 | | | SEMICONV DEVICE:SILICON,30V,150MA | 01295 | 1N4152R |
| A74CR4078 | 152-0141-02 | | | SEMICONV DEVICE:SILICON,30V,150MA | 01295 | 1N4152R |
| A74J2084 | 131-2196-00 | | | CONN,RCPT,ELEC:CKT BD,6/12,FEMALE | 22526 | 650002-076 |
| A74Q1073 | 151-0423-00 | | | TRANSISTOR:SILICON,NPN | 51984 | NTC2333L |
| A74Q2048 | 151-0443-00 | B010218 | | TRANSISTOR:SILICON,PNP | 04713 | SPS7950 |
| A74R1042 | 315-0102-00 | | | RES.,FXD,CMPSN:1K OHM,5%,0.25W | 01121 | CB1025 |
| A74R1043 | 301-0472-00 | | | RES.,FXD,CMPSN:4.7K OHM,5%,0.50W | 01121 | EB4725 |
| A74R1048 | 315-0224-00 | | | RES.,FXD,CMPSN:220K OHM,5%,0.25W | 01121 | CB2245 |
| A74R1051 | 315-0104-00 | B010100 | B010217 | RES.,FXD,CMPSN:100K OHM,5%,0.25W | 01121 | CB1045 |
| A74R0151 | 315-0334-00 | B010218 | | RES.,FXD,CMPSN:330K OHM,5%,0.25W | 01121 | CB3345 |
| A74R2012 | 308-0685-00 | | | RES.,FXD,WW:1.5 OHM,5%,1W | 75042 | BW20-1R500J |
| A74R2040 | 311-1287-00 | B010218 | | RES.,VAR,NONWIR:100K OHM,0.5W 0.50W | 32997 | 3329W-158-104 |
| A74R2050 | 315-0104-00 | B010218 | | RES.,FXD,CMPSN:100K OHM,5%,0.25W | 01121 | CB1045 |
| A74R3033 | 311-1968-00 | | | RES.,VAR,NONWIR:PNL,5M OHM,20%,0.50W | 01121 | 72M4N048S505M |
| A74R3071 | 315-0431-00 | | | RES.,FXD,CMPSN:430 OHM,5%,0.25W | 01121 | CB4315 |
| A74R3072 | 315-0512-00 | | | RES.,FXD,CMPSN:5.1K OHM,5%,0.25W | 01121 | CB5125 |
| A74R3074 | 315-0105-00 | | | RES.,FXD,CMPSN:1M OHM,5%,0.25W | 01121 | CB1055 |
| A74R3075 | 315-0222-00 | | | RES.,FXD,CMPSN:2.2K OHM,5%,0.25W | 01121 | CB2225 |
| A74R3078 | 315-0133-00 | | | RES.,FXD,CMPSN:13K OHM,5%,0.25W | 01121 | CB1335 |
| A74R3079 | 315-0184-00 | | | RES.,FXD,CMPSN:180K OHM,5%,0.25W | 01121 | CB1845 |
| A74R4038 | 315-0102-00 | | | RES.,FXD,CMPSN:1K OHM,5%,0.25W | 01121 | CB1025 |
| A74R4063 | 315-0203-00 | B010100 | B010217 | RES.,FXD,CMPSN:20K OHM,5%,0.25W | 01121 | CB2035 |
| A74R4065 | 315-0203-00 | B010100 | B010217 | RES.,FXD,CMPSN:20K OHM,5%,0.25W | 01121 | CB2035 |
| A74R4067 | 315-0474-00 | B010100 | B010217 | RES.,FXD,CMPSN:470K OHM,5%,0.25W | 01121 | CB4745 |

Replaceable Electrical Parts—496/496P Service Vol.2

| Component No. | Tektronix Part No. | Serial/Model No. | | Name & Description | Mfr Code | Mfr Part Number |
|---------------|--------------------|------------------|---------|---------------------------------------|----------|-----------------|
| | | Eff | Dscnt | | | |
| A74R4074 | 315-0473-00 | | | RES.,FXD,CMPSN:47K OHM,5%,0.25W | 01121 | CB4735 |
| A74R4075 | 315-0102-00 | | | RES.,FXD,CMPSN:1K OHM,5%,0.25W | 01121 | CB1025 |
| A74T2065 | 120-1233-00 | | | XFMR,PWR,SDN&SU:HIG VOLTAGE | 80009 | 120-1233-00 |
| A74U4083 | 156-0067-12 | | | MICROCIRCUIT,LI:OPERATIONAL AMPLIFIER | 01295 | UA741CJG |
| A74VR1041 | 152-0651-00 | B010100 | B010217 | SEMICONV DEVICE:ZEN.SI,28V,5%,400MW | 04713 | SZG134 |
| A74VR1041 | 152-0283-00 | B010218 | | SEMICONV DEVICE:ZENER,0.4W,43V,5% | 12954 | DZ750903B1N976B |

| Component No. | Tektronix Part No. | Serial/Model No. Eff | Dscont | Name & Description | Mfr Code | Mfr Part Number |
|---------------|--------------------|----------------------|---------|------------------------------------|----------|-----------------|
| A74A1 | 119-1159-01 | | | CKT BOARD ASSY:HIGH VOLTAGE | 80009 | 119-1159-01 |
| A74A1C1031 | ---- | | | (REPLACEABLE AS A UNIT ONLY) | | |
| A74A1C1041 | ---- | | | (REPLACEABLE AS A UNIT ONLY) | | |
| A74A1C1047 | ---- | | | (REPLACEABLE AS A UNIT ONLY) | | |
| A74A1C4024 | ---- | | | (REPLACEABLE AS A UNIT ONLY) | | |
| A74A1C4027 | ---- | | | (REPLACEABLE AS A UNIT ONLY) | | |
| A74A1C5013 | ---- | | | (REPLACEABLE AS A UNIT ONLY) | | |
| A74A1C5021 | ---- | | | (REPLACEABLE AS A UNIT ONLY) | | |
| A74A1CR4035 | ---- | | | (REPLACEABLE AS A UNIT ONLY) | | |
| A74A1CR4041 | ---- | | | (REPLACEABLE AS A UNIT ONLY) | | |
| A74A1DS2052 | ---- | | | (REPLACEABLE AS A UNIT ONLY) | | |
| A74A1DS2057 | ---- | | | (REPLACEABLE AS A UNIT ONLY) | | |
| A74A1DS2058 | ---- | | | (REPLACEABLE AS A UNIT ONLY) | | |
| A74A1R1017 | ---- | | | (REPLACEABLE AS A UNIT ONLY) | | |
| A74A1R1039 | ---- | | | (REPLACEABLE AS A UNIT ONLY) | | |
| A74A1R1044 | ---- | | | (REPLACEABLE AS A UNIT ONLY) | | |
| A74A1R1053 | ---- | | | (REPLACEABLE AS A UNIT ONLY) | | |
| A74A1R1057 | ---- | | | (REPLACEABLE AS A UNIT ONLY) | | |
| A74A1R3035 | ---- | | | (REPLACEABLE AS A UNIT ONLY) | | |
| A74A1R3038 | ---- | | | (REPLACEABLE AS A UNIT ONLY) | | |
| A77 | 670-5746-00 | B010100 | B010324 | CKT BOARD ASSY:CRT GRATICULE LIGHT | 80009 | 670-5746-00 |
| A77 | 670-5746-01 | B010325 | | CKT BOARD ASSY:CRT GRATICULE LIGHT | 80009 | 670-5746-01 |
| A77DS1011 | 150-0029-00 | | | LAMP,INCAND:6.3V,0.20A | 08806 | 349 |
| A77DS1013 | 150-0029-00 | | | LAMP,INCAND:6.3V,0.20A | 08806 | 349 |

Replaceable Electrical Parts—496/496P Service Vol.2

| Component No. | Tektronix Part No. | Serial/Model No. Eff Dscont | Name & Description | Mfr Code | Mfr Part Number |
|---------------|--------------------|-----------------------------|---|----------|-----------------|
| | | | CHASSIS PARTS | | |
| C107 | 290-0745-00 | | CAP.,FXD,ELCTLT:22UF,+50-10%,25V | 54473 | ECE-A25V22L |
| C325 | 281-0165-00 | | CAP.,VAR,AIR DI:0.8-10PF,250V | 73899 | MVM-010W |
| E2105 | 276-0554-00 | | CORE,TOROID:0.187 ID X 0.375 OD | 80009 | 276-0554-00 |
| F301 | 159-0017-00 | | FUSE,CARTRIDGE:3AG,4A,250V,FAST BLOW | 71400 | MTH4 |
| F301 | 159-0023-00 | | FUSE,CARTRIDGE:3AG,2A,250V,5 SEC | 71400 | MDX2 |
| F301 | ----- | | (A1,A2,A3,A4 OPTION ONLY) | | |
| FL10 | 119-0294-01 | | FILTER,LOW PASS:DC TO 1.8GHZ | 21377 | OBD |
| FL11 | 015-1027-00 | | FILTER,LOW PASS:4.5 GHZ | 80009 | 015-1027-00 |
| FL15 | 015-1027-00 | | FILTER,LOW PASS:4.5 GHZ | 80009 | 015-1027-00 |
| FL16 | 119-1018-00 | | DIR FILTER ASSY: | 80009 | 119-1018-00 |
| FL36 | 119-1025-00 | | FILTER,BANDPASS:110MHZ | 80009 | 119-1025-00 |
| FL690 | 119-1423-00 | | FILTER,CRYSTAL:30HZ | 80009 | 119-1423-00 |
| P110 | 015-1025-01 | | TERM.,COAX:3MM MALE,50 OHM,W/CH | 18203 | T186C5 |
| P112 | 015-1025-01 | | TERM.,COAX:3MM MALE,50 OHM,W/CH | 18203 | T186C5 |
| P124 | 015-1022-00 | | TERM. COAXIAL:50 OHM,0.5W,SMA | 26805 | T198CS |
| P145 | 015-1022-00 | | TERM. COAXIAL:50 OHM,0.5W,SMA | 26805 | T198CS |
| P164 | 015-1022-00 | | TERM. COAXIAL:50 OHM,0.5W,SMA | 26805 | T198CS |
| Q3052 | 151-0415-00 | | TRANSISTOR:SILICON,NPN | 04713 | SJE419 |
| R107 | 307-0093-00 | | RES.,FXD,CMPSN:1.2 OHM,5%,0.50W | 01121 | EB12G5 |
| R108 | 307-0093-00 | | RES.,FXD,CMPSN:1.2 OHM,5%,0.50W | 01121 | EB12G5 |
| R2037 | 301-0102-00 | | RES.,FXD,CMPSN:1K OHM,5%,0.50W | 01121 | EB1025 |
| T107 | 120-1380-00 | | TRANSFORMER,RF:TOROID,2 WINDINGS | 80009 | 120-1380-00 |
| U301 | 119-1168-00 | | CAPACITOR-RES:0.1UF,20% & 22 OHM,10%,250V | 14752 | RG1782-1 |
| U1010 | 156-0285-00 | | MICROCIRCUIT,LI:VOLTAGE REGULATOR | 27014 | LM340T-12 |
| U2010 | 156-0872-00 | | MICROCIRCUIT,LI:VOLTAGE REGULATOR | 04713 | MC7912C |
| V100 | 154-0809-00 | | ELECTRON TUBE:CRT,P-GREEN D.INTERNAL | 80009 | 154-0809-00 |
| W100 | 175-3310-00 | | CABLE ASSY,RF:50 OHM COAX,3.497 INCH LONG | 80009 | 175-3310-00 |
| W101 | 175-2183-00 | | CABLE ASSY,RF:50 OHM COAX,4.63 INCH LONG | 80009 | 175-2183-00 |
| W105 | 175-3311-00 | | CABLE ASSY,RF:50 OHM COAX,2.1 INCH LONG | 80009 | 175-3311-00 |
| W110 | 175-3312-00 | | CABLE ASSY,RF:50 OHM COAX,2.34 INCH LONG | 80009 | 175-3312-00 |
| W130 | 175-3826-00 | | CABLE ASSY,RF:50 OHM COAX,10.29 INCH LONG | 80009 | 175-3826-00 |
| W132 | 175-3307-00 | | CABLE ASSY,RF:50 OHM COAX,17.56 INCH LONG | 80009 | 175-3307-00 |
| W133 | 015-1011-00 | | ADAPTER,CONN:SMA MALE TO SMA MALE | 16179 | 2081-6001 |
| W134 | 175-3825-00 | | CABLE ASSY,RF:50 OHM COAX,10.34 INCH LONG | 80009 | 175-3825-00 |
| W160 | 175-3313-00 | | CABLE ASSY,RF:50 OHM COAX,1.8 INCH LONG | 80009 | 175-3313-00 |
| W161 | 175-3309-00 | | CABLE ASSY,RF:50 OHM COAX,2.76 INCH LONG | 80009 | 175-3309-00 |
| W166 | 175-2763-00 | | CABLE ASSY,RF:50 OHM COAX,3.13 INCH LONG | 80009 | 175-2763-00 |
| W182 | 175-2407-00 | | CABLE ASSY,RF:50 OHM COAX,5.0 INCH LONG | 80009 | 175-2407-00 |
| W220 | 175-3308-00 | | CABLE ASSY,RF:50 OHM COAX,16.28 INCH LONG | 80009 | 175-3308-00 |
| W240 | 175-2346-00 | | CABLE ASSY,RF:50 OHM COAX,9.4 INCH LONG | 80009 | 175-2346-00 |
| W242 | 175-2372-00 | | CA ASSY,SP,ELEC:2.26 AWG,5.0 INCH LONG | 80009 | 175-2372-00 |
| W300 | 198-3944-01 | | WIRE SET,ELEC: | 80009 | 198-3944-01 |
| W320 | 175-2406-00 | | CABLE ASSY,RF:50 OHM COAX,3.0 INCH LONG | 80009 | 175-2406-00 |
| W340 | 175-2412-00 | | CABLE ASSY,RF:50 OHM COAX,12.0 INCH LONG | 80009 | 175-2412-00 |
| W344 | 175-2411-00 | | CABLE ASSY,RF:50 OHM COAX,17.0 INCH LONG | 80009 | 175-2411-00 |
| W346 | 175-2407-00 | | CABLE ASSY,RF:50 OHM COAX,5.0 INCH LONG | 80009 | 175-2407-00 |
| W348 | 175-2413-00 | | CABLE ASSY,RF:50 OHM COAX,13.0 INCH LONG | 80009 | 175-2413-00 |
| W350 | 175-2413-00 | | CABLE ASSY,RF:50 OHM COAX,13.0 INCH LONG | 80009 | 175-2413-00 |
| W360 | 175-2409-00 | | CABLE ASSY,RF:50 OHM COAX,8.0 INCH LONG | 80009 | 175-2409-00 |
| W500 | 175-2406-00 | | CABLE ASSY,RF:50 OHM COAX,3.0 INCH LONG | 80009 | 175-2406-00 |
| W502 | 175-2402-00 | | CABLE ASSY,RF:50 OHM COAX,12.0 INCH LONG | 80009 | 175-2402-00 |
| W682 | 175-2418-00 | | CABLE ASSY,RF:50 OHM COAX,2.5 INCH LONG | 80009 | 175-2418-00 |
| W692 | 175-2415-00 | | CABLE ASSY,RF:50 OHM COAX,7.0 INCH LONG | 80009 | 175-2415-00 |
| W694 | 175-2417-00 | | CABLE ASSY,RF:50 OHM COAX,27.0 L | 80009 | 175-2417-00 |

| Component No. | Tektronix Part No. | Serial/Model No. Eff | Dscont | Name & Description | Mfr Code | Mfr Part Number |
|---------------|--------------------|----------------------|--------|---|----------|-----------------|
| W696 | 175-2416-00 | | | CABLE ASSY,RF:50 OHM COAX,8.335 INCH LONG | 80009 | 175-2416-00 |
| W1037 | 198-4424-00 | | | WIRE SET,ELEC: | 80009 | 198-4424-00 |
| Y1030 | 158-0176-00 | | | XTAL UNIT,SET:4,10MHZ,0.001%,MATCHED SER | 33096 | OBD |
| Y1045 | 158-0176-00 | | | XTAL UNIT,SET:4,10MHZ,0.001%,MATCHED SER | 33096 | OBD |
| Y2036 | 119-0968-00 | | | FILTER,BP:XTAL,6 POLE ML,10MHZ CTR FR | 75378 | OBD |
| Y2036 | ----- | | | (MATCHED SET WITH Y3046,Y5046) | | |
| Y2043 | 119-0969-00 | | | FILTER,BP:XTAL,4 POLE ML,10MHZ CRT FR | 75378 | OBD |
| Y2043 | ----- | | | (MATCHED SET WITH Y5035) | | |
| Y3046 | 119-0968-00 | | | FILTER,BP:XTAL,6 POLE ML,10MHZ CTR FR | 75378 | OBD |
| Y3046 | ----- | | | (MATCHED SET WITH Y2036,Y5046) | | |
| Y5012 | 158-0176-00 | | | XTAL UNIT,SET:4,10MHZ,0.001%,MATCHED SER | 33096 | OBD |
| Y5035 | 119-0969-00 | | | FILTER,BP:XTAL,4 POLE ML,10MHZ CRT FR | 75378 | OBD |
| Y5035 | ----- | | | (MATCHED SET WITH Y2043) | | |
| Y5046 | 119-0968-00 | | | FILTER,BP:XTAL,6 POLE ML,10MHZ CTR FR | 75378 | OBD |
| Y5046 | ----- | | | (MATCHED SET WITH Y2036,Y3046) | | |
| Y7019 | 158-0176-00 | | | XTAL UNIT,SET:4,10MHZ,0.001%,MATCHED SER | 33096 | OBD |

DIAGRAMS AND CIRCUIT BOARD ILLUSTRATIONS

Symbols

Graphic symbols and class designation letters are based on ANSI Standard Y32.2-1975.

Logic symbology is based on ANSI Y32.14-1973 in terms of positive logic. Logic symbols depict the logic function performed and may differ from the manufacturer's data.

The overline on a signal name indicates that the signal performs its intended function when it is in the low state.

Abbreviations are based on ANSI Y1.1-1972.

Other ANSI standards that are used in the preparation of diagrams by Tektronix, Inc. are:

- Y14.15, 1966 Drafting Practices.
- Y14.2, 1973 Line Conventions and Lettering.
- Y10.5, 1968 Letter Symbols for Quantities Used in Electrical Science and Electrical Engineering.

American National Standard Institute
1430 Broadway
New York, New York 10018

Component Values

Electrical components shown on the diagrams are in the following units unless noted otherwise:

- Capacitors = Values one or greater are in picofarads (pF).
Values less than one are in microfarads (μ F).
- Resistors = Ohms (Ω).

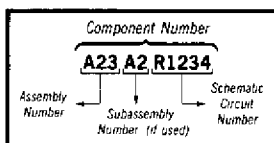
— The information and special symbols below may appear in this manual. —

Assembly Numbers and Grid Coordinates

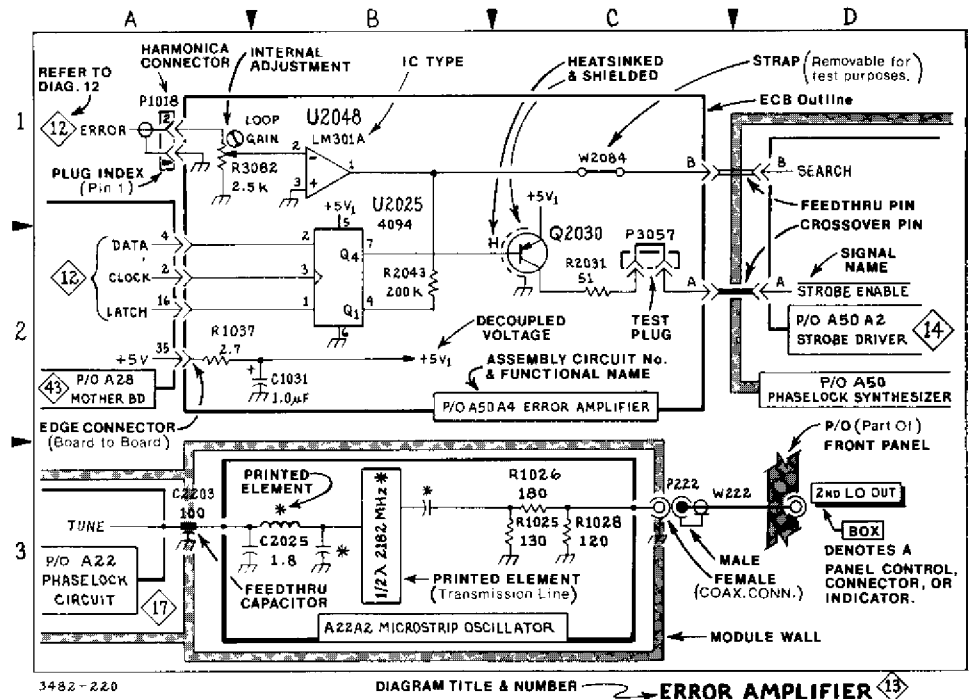
Each assembly in the instrument is assigned an assembly number (e.g., A20). The assembly number appears on the circuit board outline on the diagram, in the title for the circuit board component location illustration, and in the lookup table for the schematic diagram and corresponding component locator illustration. The Replaceable Electrical Parts list is arranged by assemblies in numerical sequence; the components are listed by component number *(see following illustration for constructing a component number).

The schematic diagram and circuit board component location illustration have grids. A lookup table with the grid coordinates is provided for ease of locating the component. Only the components illustrated on the facing diagram are listed in the lookup table. When more than one schematic diagram is used to illustrate the circuitry on a circuit board, the circuit board illustration may only appear opposite the first diagram on which it was illustrated; the lookup table will list the diagram number of other diagrams that the circuitry of the circuit board appears on.

COMPONENT NUMBER EXAMPLE



Chassis-mounted components have no Assembly Number prefix—see end of Replaceable Electrical Parts List



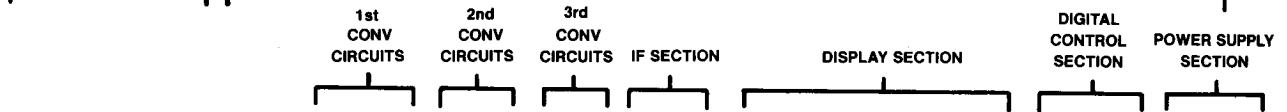
3482-220

DIAGRAM TITLE & NUMBER -> ERROR AMPLIFIER 13

INDEX

BLOCK DIAGRAMS

SCHEMATIC DIAGRAMS



- Functional
- 1st Converter
- 2nd Converter
- 3rd Converter
- IF Section
- Display Section
- Frequency Control Section
- Digital Control Section
- Power Supply Section
- RF Interconnect
- 1st Converter
- 1st LO Phase-locked Control
- 1st LO Error Amplifier and Synthesizer
- 1st LO Controlled Oscillator, Off-set Mixer, and Strobe Driver
- 2nd Converter
- 2nd LO (Oscillator Section)
- 2nd LO (Phase-locked Section)
- 110 MHz IF Amplifier
- 3rd Converter
- No. 1 VR
- No. 2 VR (Gain Steps)
- No. 2 VR (Filter and Post Amplifier)
- Log Amplifier and Detector
- Video Amplifier
- Video Processor and 1405 Interface
- Digital Storage (Vertical)
- Digital Storage (Horizontal)
- Deflection Amplifier
- Crt Readout
- Z Axis/RF Interface
- High Voltage Supply
- Sweep
- Span Attenuator
- Center Frequency Control
- 1st LO Driver
- Processor
- Memory
- Front Panel
- GPB and GPIB Interface
- Accessories Interface
- Main Power Supply (Primary Section)
- Main Power Supply (Secondary Section)
- Mother Board (Front)
- Mother Board (Rear)

◀ Diagram Title ▶

ASSEMBLY NO. #

- AT10
- AT12
- AT13
- A12
- A13
- A16
- A16A1
- A18
- A18A1

- A22
- A22A1
- A22A2
- A22A2A1
- A22A2A2
- A22A2A3
- A24
- A24A1
- A28

- A30
- A30A1
- A30A2
- A32
- A32A1
- A34
- A34A1
- A34A2
- A38

- A40
- A44
- A46
- A46A1
- A46A3
- A48

| | BLOCK DIAGRAMS | | | | | | | | | SCHEMATIC DIAGRAMS | | | | | | | | | | | | | | | | | | | | | | | | | | | | | | | | | | | | | | | | | | |
|----------------|----------------|---|---|---|---|---|---|---|---|--------------------|----|----|----|----|-------------------|----|----|----|----|-------------------|----|----|----|----|------------|----|----|----|----|-----------------|----|----|----|----|-------------------------|----|----|----|----|----------------------|----|----|----|----|----------------|--|--|--|--|--|--|--|
| | | | | | | | | | | 1st CONV CIRCUITS | | | | | 2nd CONV CIRCUITS | | | | | 3rd CONV CIRCUITS | | | | | IF SECTION | | | | | DISPLAY SECTION | | | | | DIGITAL CONTROL SECTION | | | | | POWER SUPPLY SECTION | | | | | | | | | | | | |
| ASSEMBLY NO. # | 1 | 2 | 3 | 4 | 5 | 6 | 7 | 8 | 9 | 10 | 11 | 12 | 13 | 14 | 15 | 16 | 17 | 18 | 19 | 20 | 21 | 22 | 23 | 24 | 25 | 26 | 27 | 28 | 29 | 30 | 31 | 32 | 33 | 34 | 35 | 36 | 37 | 38 | 39 | 40 | 41 | 42 | 43 | 44 | ASSEMBLY NO. # | | | | | | | |
| AT10 | | | | | | | | | | | | | | | | | | | | | | | | | | | | | | | | | | | | | | | | | | | | | | | | | | | | |
| AT12 | | | | | | | | | | | ○ | ○ | ○ | ○ | | | | | | | | | | | | | | | | | | | | | | | | | | | | | | | | | | | | | | |
| AT13 | | | | | | | | | | | ○ | ○ | ○ | ○ | | | | | | | | | | | | | | | | | | | | | | | | | | | | | | | | | | | | | | |
| A12 | | | | | | | | | | | ○ | ○ | ○ | ○ | | | | | | | | | | | | | | | | | | | | | | | | | | | | | | | | | | | | | | |
| A13 | | | | | | | | | | | ○ | ○ | ○ | ○ | | | | | | | | | | | | | | | | | | | | | | | | | | | | | | | | | | | | | | |
| A16 | | | | | | | | | | | ○ | ○ | ○ | ○ | | | | | | | | | | | | | | | | | | | | | | | | | | | | | | | | | | | | | | |
| A16A1 | | | | | | | | | | | ○ | ○ | ○ | ○ | | | | | | | | | | | | | | | | | | | | | | | | | | | | | | | | | | | | | | |
| A18 | | | | | | | | | | | ○ | ○ | ○ | ○ | | | | | | | | | | | | | | | | | | | | | | | | | | | | | | | | | | | | | | |
| A18A1 | | | | | | | | | | | ○ | ○ | ○ | ○ | | | | | | | | | | | | | | | | | | | | | | | | | | | | | | | | | | | | | | |
| A22 | | | | | | | | | | | | | | | | | | | | | | | | | | | | | | | | | | | | | | | | | | | | | | | | | | | | |
| A22A1 | | | | | | | | | | | | | | | | | | | | | | | | | | | | | | | | | | | | | | | | | | | | | | | | | | | | |
| A22A2 | | | | | | | | | | | | | | | | | | | | | | | | | | | | | | | | | | | | | | | | | | | | | | | | | | | | |
| A22A2A1 | | | | | | | | | | | | | | | | | | | | | | | | | | | | | | | | | | | | | | | | | | | | | | | | | | | | |
| A22A2A2 | | | | | | | | | | | | | | | | | | | | | | | | | | | | | | | | | | | | | | | | | | | | | | | | | | | | |
| A22A2A3 | | | | | | | | | | | | | | | | | | | | | | | | | | | | | | | | | | | | | | | | | | | | | | | | | | | | |
| A24 | | | | | | | | | | | ○ | ○ | ○ | ○ | | | | | | | | | | | | | | | | | | | | | | | | | | | | | | | | | | | | | | |
| A24A1 | | | | | | | | | | | ○ | ○ | ○ | ○ | | | | | | | | | | | | | | | | | | | | | | | | | | | | | | | | | | | | | | |
| A28 | | | | | | | | | | | ○ | ○ | ○ | ○ | | | | | | | | | | | | | | | | | | | | | | | | | | | | | | | | | | | | | | |
| A30 | | | | | | | | | | | | | | | | | | | | | | | | | | | | | | | | | | | | | | | | | | | | | | | | | | | | |
| A30A1 | | | | | | | | | | | | | | | | | | | | | | | | | | | | | | | | | | | | | | | | | | | | | | | | | | | | |
| A30A2 | | | | | | | | | | | | | | | | | | | | | | | | | | | | | | | | | | | | | | | | | | | | | | | | | | | | |
| A32 | | | | | | | | | | | | | | | | | | | | | | | | | | | | | | | | | | | | | | | | | | | | | | | | | | | | |
| A32A1 | | | | | | | | | | | | | | | | | | | | | | | | | | | | | | | | | | | | | | | | | | | | | | | | | | | | |
| A34 | | | | | | | | | | | | | | | | | | | | | | | | | | | | | | | | | | | | | | | | | | | | | | | | | | | | |
| A34A1 | | | | | | | | | | | | | | | | | | | | | | | | | | | | | | | | | | | | | | | | | | | | | | | | | | | | |
| A34A2 | | | | | | | | | | | | | | | | | | | | | | | | | | | | | | | | | | | | | | | | | | | | | | | | | | | | |
| A38 | | | | | | | | | | | | | | | | | | | | | | | | | | | | | | | | | | | | | | | | | | | | | | | | | | | | |
| A40 | | | | | | | | | | | | | | | | | | | | | | | | | | | | | | | | | | | | | | | | | | | | | | | | | | | | |
| A44 | | | | | | | | | | | | | | | | | | | | | | | | | | | | | | | | | | | | | | | | | | | | | | | | | | | | |
| A46 | | | | | | | | | | | | | | | | | | | | | | | | | | | | | | | | | | | | | | | | | | | | | | | | | | | | |
| A46A1 | | | | | | | | | | | | | | | | | | | | | | | | | | | | | | | | | | | | | | | | | | | | | | | | | | | | |
| A46A3 | | | | | | | | | | | | | | | | | | | | | | | | | | | | | | | | | | | | | | | | | | | | | | | | | | | | |
| A48 | | | | | | | | | | | | | | | | | | | | | | | | | | | | | | | | | | | | | | | | | | | | | | | | | | | | |

◀ Diagram Number ▶

- A50
- A50A1
- A50A2
- A50A3
- A50A4
- A50A5
- A51
- A54
- A56

- A56A1
- A30A57
- A58
- A60
- A61
- A62
- A64
- A66
- A68

- A68A1
- A68A2
- A68A3
- A68A4
- A69
- A69A1
- A69A2
- A69A3
- A69A4

- A69A5
- A70
- A72
- A74
- A74A1
- A30A76
- A77

BLOCK DIAGRAMS

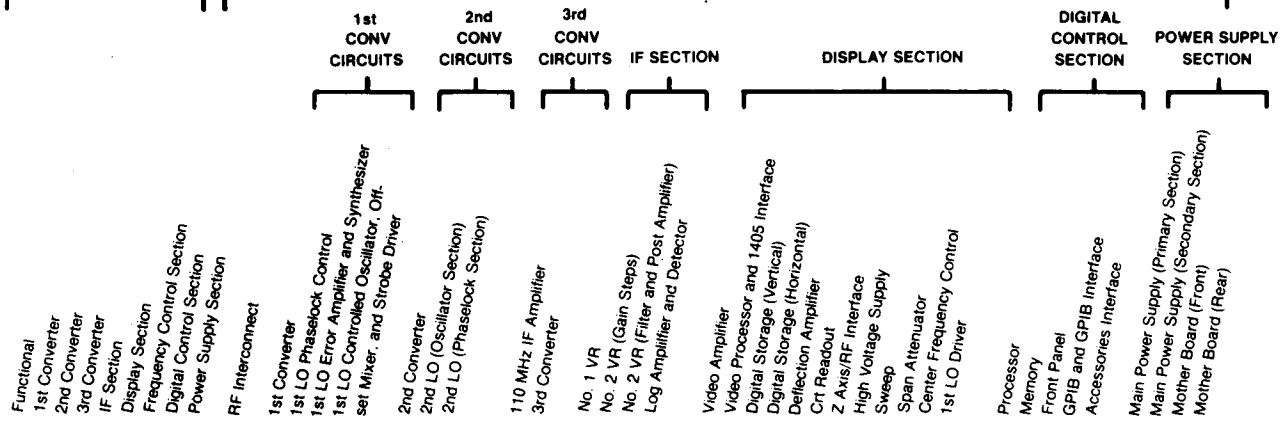
SCHEMATIC DIAGRAMS

PLY

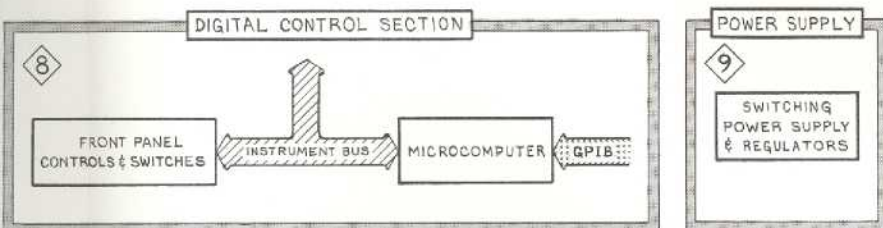
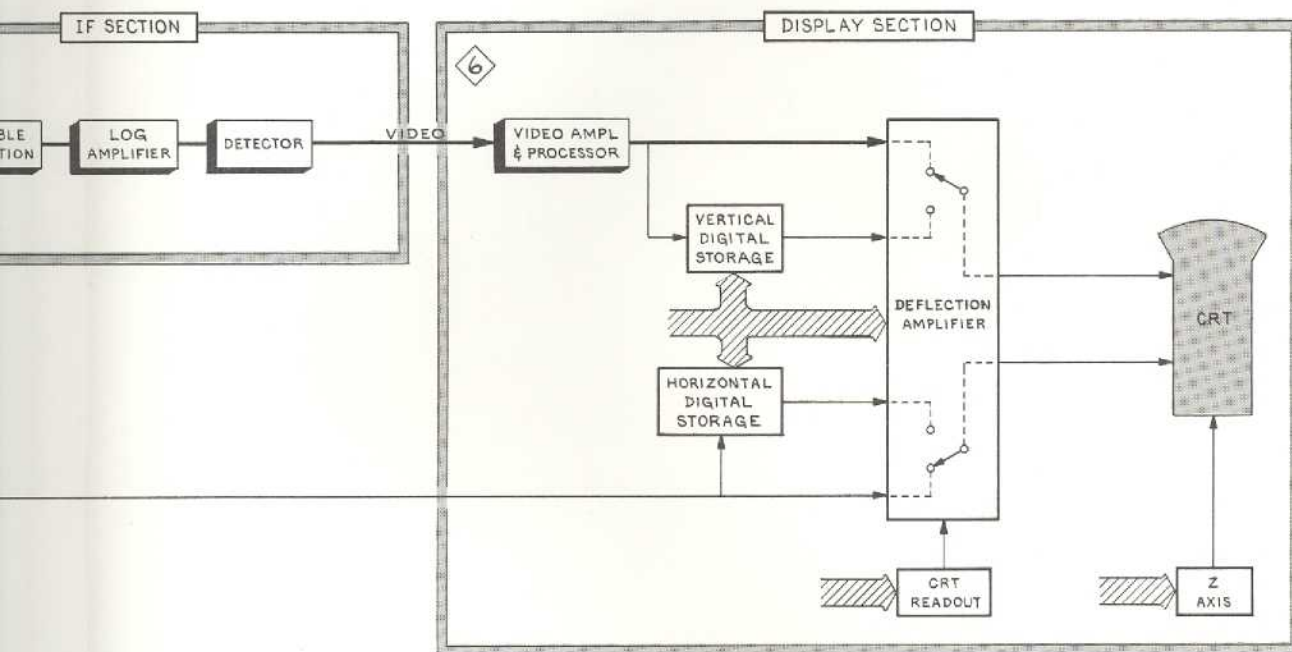
Diagram Title

Diagram Number

ASSEMBLY NO. #



| Diagram Title | 1 | 2 | 3 | 4 | 5 | 6 | 7 | 8 | 9 | 10 | 11 | 12 | 13 | 14 | 15 | 16 | 17 | 18 | 19 | 20 | 21 | 22 | 23 | 24 | 25 | 26 | 27 | 28 | 29 | 30 | 31 | 32 | 33 | 34 | 35 | 36 | 37 | 38 | 39 | 40 | 41 | 42 | 43 | 44 | | | | | |
|--|---|---|---|---|---|---|---|---|---|----|----|----|----|----|----|----|----|----|----|----|----|----|----|----|----|----|----|----|----|----|----|----|----|----|----|----|----|----|----|----|----|----|----|----|--|--|--|--|--|
| Functional | | | | | | | | | | | | | | | | | | | | | | | | | | | | | | | | | | | | | | | | | | | | | | | | | |
| 1st Converter | | | | | | | | | | | | | | | | | | | | | | | | | | | | | | | | | | | | | | | | | | | | | | | | | |
| 2nd Converter | | | | | | | | | | | | | | | | | | | | | | | | | | | | | | | | | | | | | | | | | | | | | | | | | |
| 3rd Converter | | | | | | | | | | | | | | | | | | | | | | | | | | | | | | | | | | | | | | | | | | | | | | | | | |
| IF Section | | | | | | | | | | | | | | | | | | | | | | | | | | | | | | | | | | | | | | | | | | | | | | | | | |
| Display Section | | | | | | | | | | | | | | | | | | | | | | | | | | | | | | | | | | | | | | | | | | | | | | | | | |
| Frequency Control Section | | | | | | | | | | | | | | | | | | | | | | | | | | | | | | | | | | | | | | | | | | | | | | | | | |
| Digital Control Section | | | | | | | | | | | | | | | | | | | | | | | | | | | | | | | | | | | | | | | | | | | | | | | | | |
| Power Supply Section | | | | | | | | | | | | | | | | | | | | | | | | | | | | | | | | | | | | | | | | | | | | | | | | | |
| RF Interconnect | | | | | | | | | | | | | | | | | | | | | | | | | | | | | | | | | | | | | | | | | | | | | | | | | |
| 1st Converter | | | | | | | | | | | | | | | | | | | | | | | | | | | | | | | | | | | | | | | | | | | | | | | | | |
| 1st LO Phase Lock Control | | | | | | | | | | | | | | | | | | | | | | | | | | | | | | | | | | | | | | | | | | | | | | | | | |
| 1st LO Error Amplifier and Synthesizer | | | | | | | | | | | | | | | | | | | | | | | | | | | | | | | | | | | | | | | | | | | | | | | | | |
| 1st LO Controlled Oscillator, Off-set Mixer, and Strobe Driver | | | | | | | | | | | | | | | | | | | | | | | | | | | | | | | | | | | | | | | | | | | | | | | | | |
| 2nd Converter | | | | | | | | | | | | | | | | | | | | | | | | | | | | | | | | | | | | | | | | | | | | | | | | | |
| 2nd LO (Oscillator Section) | | | | | | | | | | | | | | | | | | | | | | | | | | | | | | | | | | | | | | | | | | | | | | | | | |
| 2nd LO (Phase Lock Section) | | | | | | | | | | | | | | | | | | | | | | | | | | | | | | | | | | | | | | | | | | | | | | | | | |
| 110 MHz IF Amplifier | | | | | | | | | | | | | | | | | | | | | | | | | | | | | | | | | | | | | | | | | | | | | | | | | |
| 3rd Converter | | | | | | | | | | | | | | | | | | | | | | | | | | | | | | | | | | | | | | | | | | | | | | | | | |
| No. 1 VR | | | | | | | | | | | | | | | | | | | | | | | | | | | | | | | | | | | | | | | | | | | | | | | | | |
| No. 2 VR (Gain Steps) | | | | | | | | | | | | | | | | | | | | | | | | | | | | | | | | | | | | | | | | | | | | | | | | | |
| No. 2 VR (Filter and Post Amplifier) | | | | | | | | | | | | | | | | | | | | | | | | | | | | | | | | | | | | | | | | | | | | | | | | | |
| Log Amplifier and Detector | | | | | | | | | | | | | | | | | | | | | | | | | | | | | | | | | | | | | | | | | | | | | | | | | |
| Video Amplifier | | | | | | | | | | | | | | | | | | | | | | | | | | | | | | | | | | | | | | | | | | | | | | | | | |
| Video Processor and 1405 Interface | | | | | | | | | | | | | | | | | | | | | | | | | | | | | | | | | | | | | | | | | | | | | | | | | |
| Digital Storage (Vertical) | | | | | | | | | | | | | | | | | | | | | | | | | | | | | | | | | | | | | | | | | | | | | | | | | |
| Digital Storage (Horizontal) | | | | | | | | | | | | | | | | | | | | | | | | | | | | | | | | | | | | | | | | | | | | | | | | | |
| Deflection Amplifier | | | | | | | | | | | | | | | | | | | | | | | | | | | | | | | | | | | | | | | | | | | | | | | | | |
| Crt Readout | | | | | | | | | | | | | | | | | | | | | | | | | | | | | | | | | | | | | | | | | | | | | | | | | |
| Z Axis/RF Interface | | | | | | | | | | | | | | | | | | | | | | | | | | | | | | | | | | | | | | | | | | | | | | | | | |
| High Voltage Supply | | | | | | | | | | | | | | | | | | | | | | | | | | | | | | | | | | | | | | | | | | | | | | | | | |
| Sweep | | | | | | | | | | | | | | | | | | | | | | | | | | | | | | | | | | | | | | | | | | | | | | | | | |
| Span Attenuator | | | | | | | | | | | | | | | | | | | | | | | | | | | | | | | | | | | | | | | | | | | | | | | | | |
| Center Frequency Control | | | | | | | | | | | | | | | | | | | | | | | | | | | | | | | | | | | | | | | | | | | | | | | | | |
| 1st LO Driver | | | | | | | | | | | | | | | | | | | | | | | | | | | | | | | | | | | | | | | | | | | | | | | | | |
| Processor | | | | | | | | | | | | | | | | | | | | | | | | | | | | | | | | | | | | | | | | | | | | | | | | | |
| Memory | | | | | | | | | | | | | | | | | | | | | | | | | | | | | | | | | | | | | | | | | | | | | | | | | |
| Front Panel | | | | | | | | | | | | | | | | | | | | | | | | | | | | | | | | | | | | | | | | | | | | | | | | | |
| GPB and GPIB Interface | | | | | | | | | | | | | | | | | | | | | | | | | | | | | | | | | | | | | | | | | | | | | | | | | |
| Accessories Interface | | | | | | | | | | | | | | | | | | | | | | | | | | | | | | | | | | | | | | | | | | | | | | | | | |
| Main Power Supply (Primary Section) | | | | | | | | | | | | | | | | | | | | | | | | | | | | | | | | | | | | | | | | | | | | | | | | | |
| Main Power Supply (Secondary Section) | | | | | | | | | | | | | | | | | | | | | | | | | | | | | | | | | | | | | | | | | | | | | | | | | |
| Mother Board (Front) | | | | | | | | | | | | | | | | | | | | | | | | | | | | | | | | | | | | | | | | | | | | | | | | | |
| Mother Board (Rear) | | | | | | | | | | | | | | | | | | | | | | | | | | | | | | | | | | | | | | | | | | | | | | | | | |



3482-70

FUNCTIONAL BLOCK DIAGRAM 1 DAN

FUNCTIONAL BLOCK DIAGRAM 1

SECTION

DISPLAY SECTION

LOG AMPLIFIER

DETECTOR

VIDEO

VIDEO AMPL & PROCESSOR

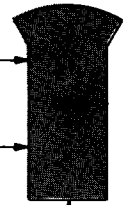
VERTICAL DIGITAL STORAGE

HORIZONTAL DIGITAL STORAGE

DEFLECTION AMPLIFIER

CRT READOUT

Z AXIS



6

DIGITAL CONTROL SECTION

POWER SUPPLY

CONTROL PANEL & SWITCHES

INSTRUMENT BUS

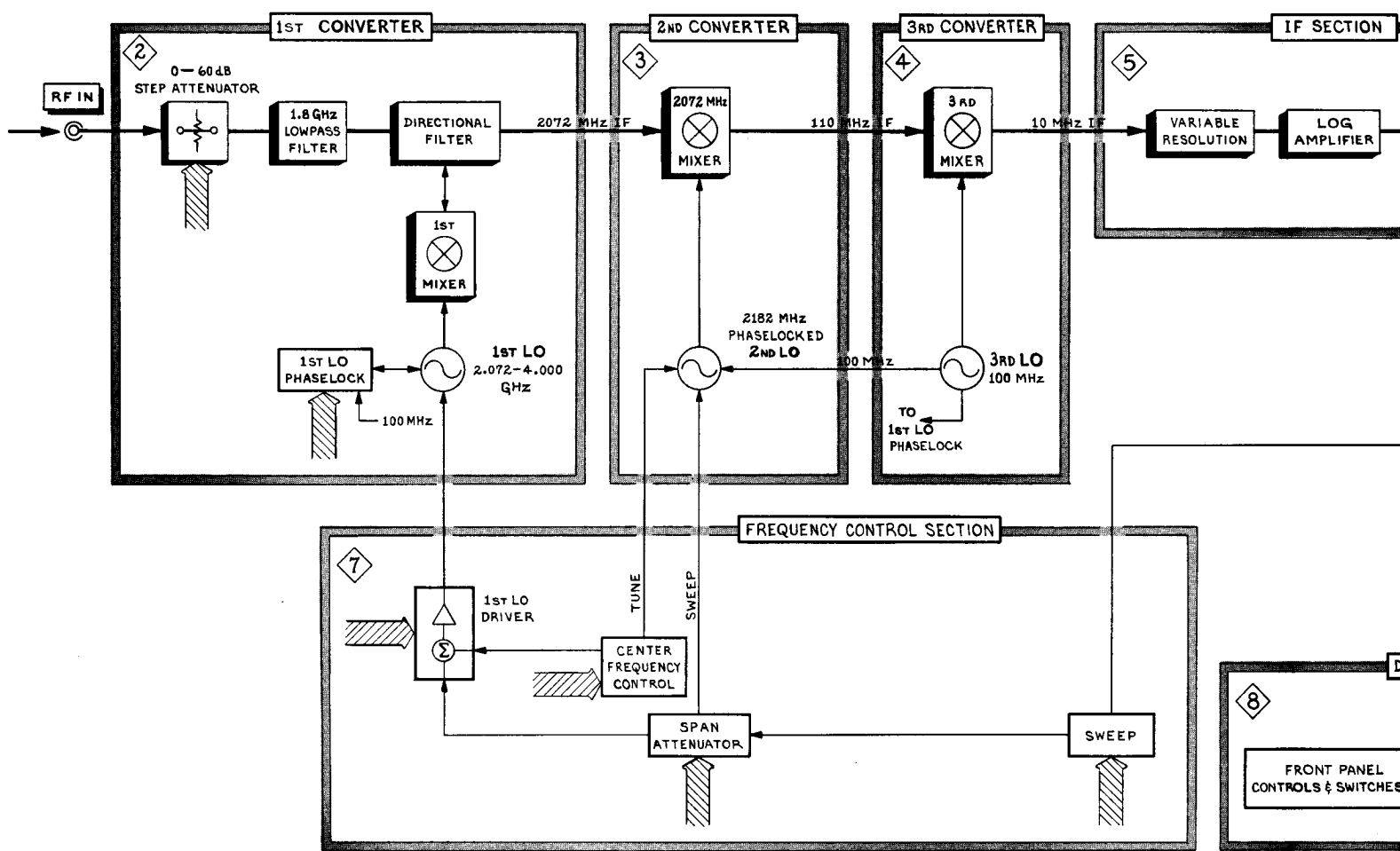
MICROCOMPUTER

GPIB

9

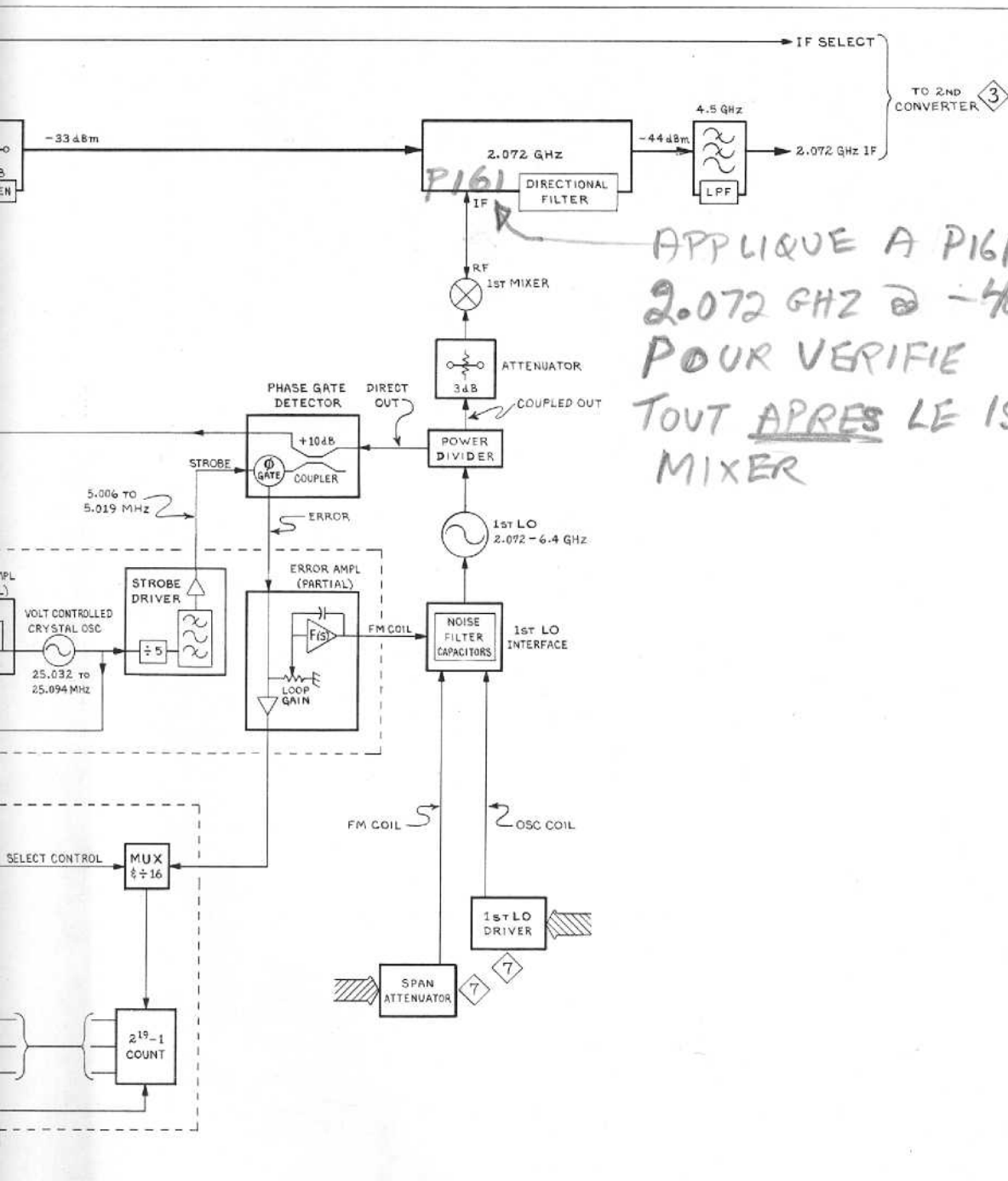
SWITCHING POWER SUPPLY & REGULATORS

3482-70



496/496P

@

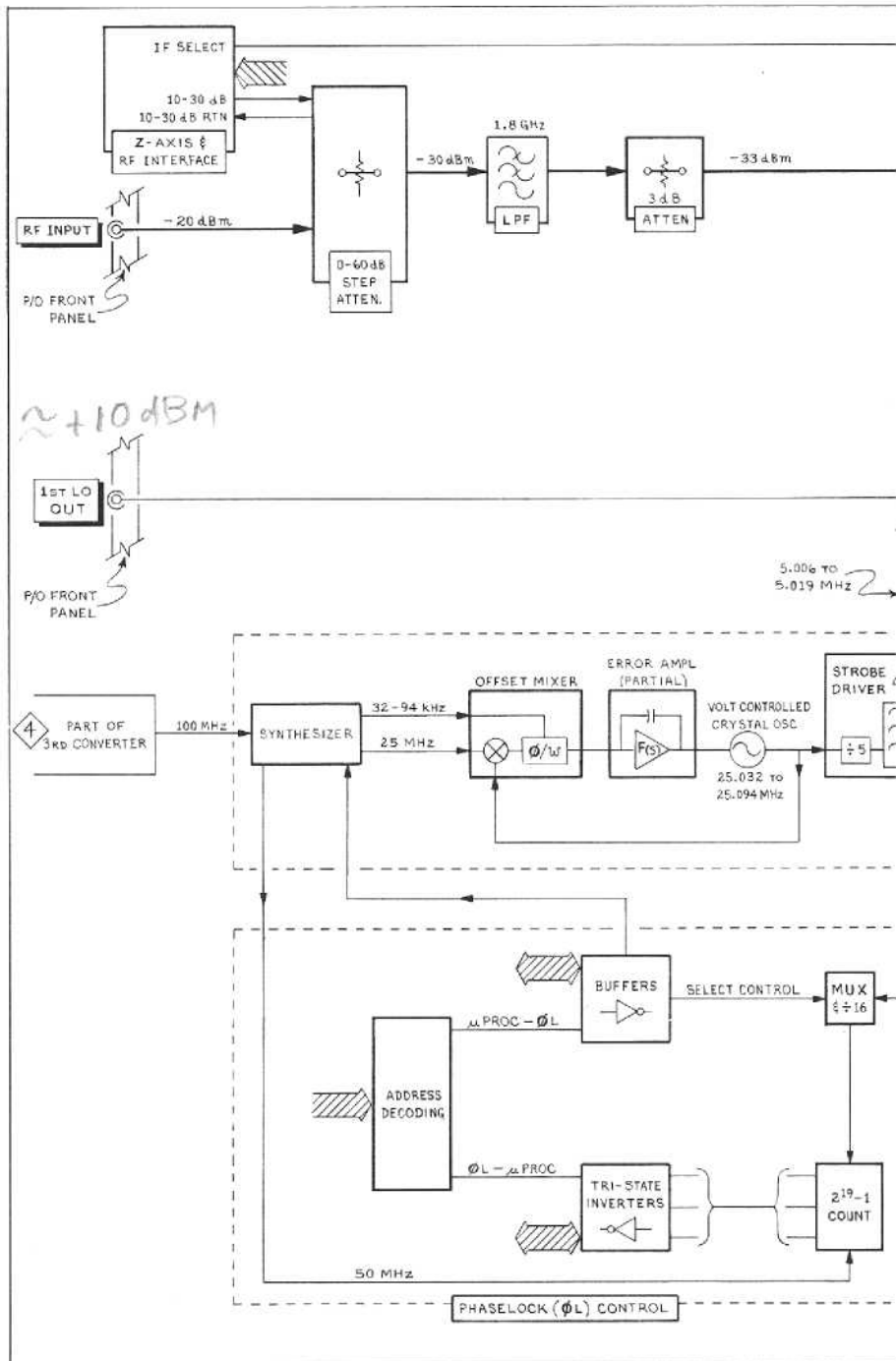


APPLIQUE A P161
 2.072 GHz @ -40 dBm (FULL SCALE)
 POUR VERIFIER
 TOUT APRES LE 1st
 MIXER
 DEFLECTION

3482-71

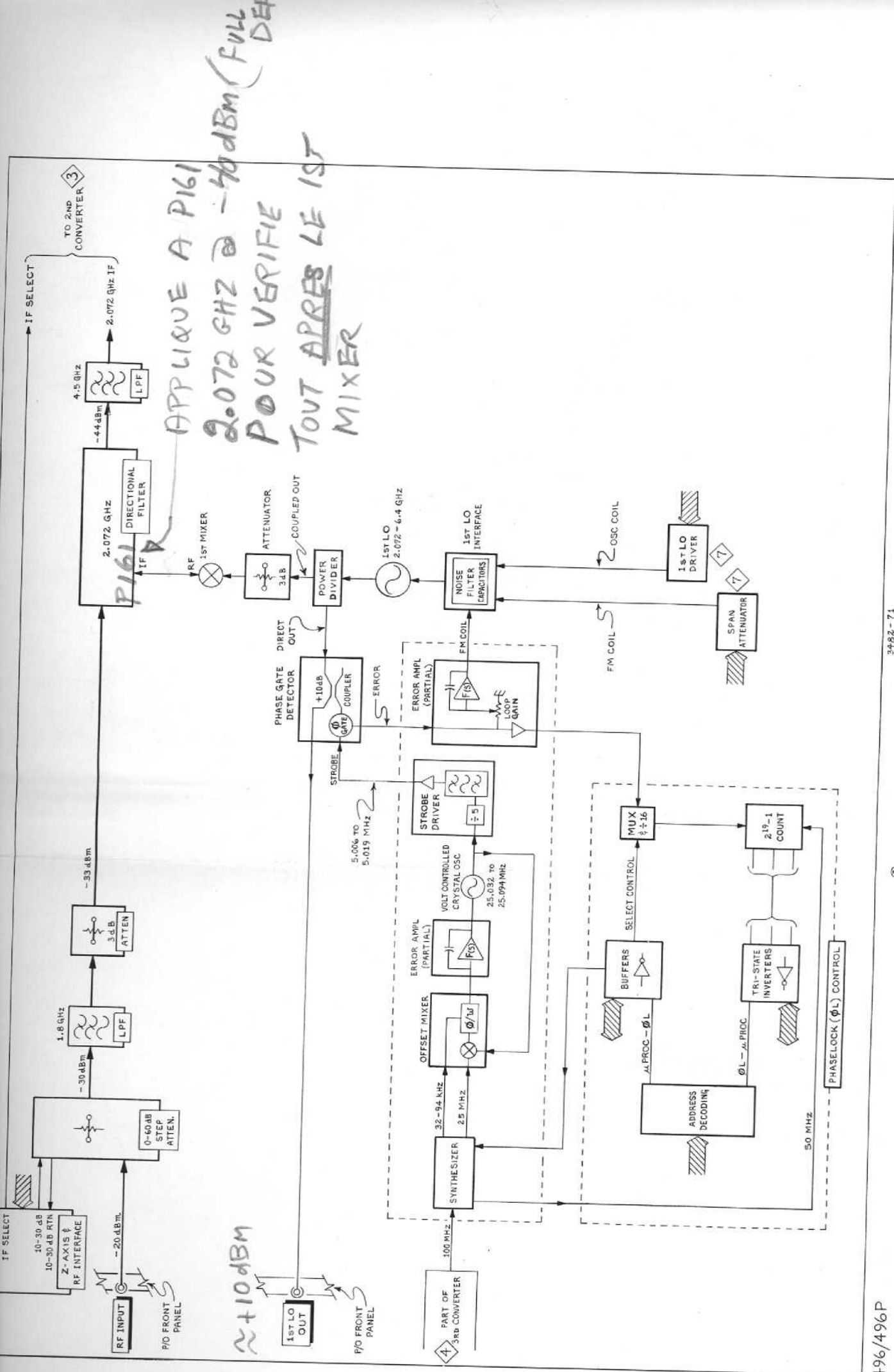
1st CONVERTER BLOCK DIAGRAM

2



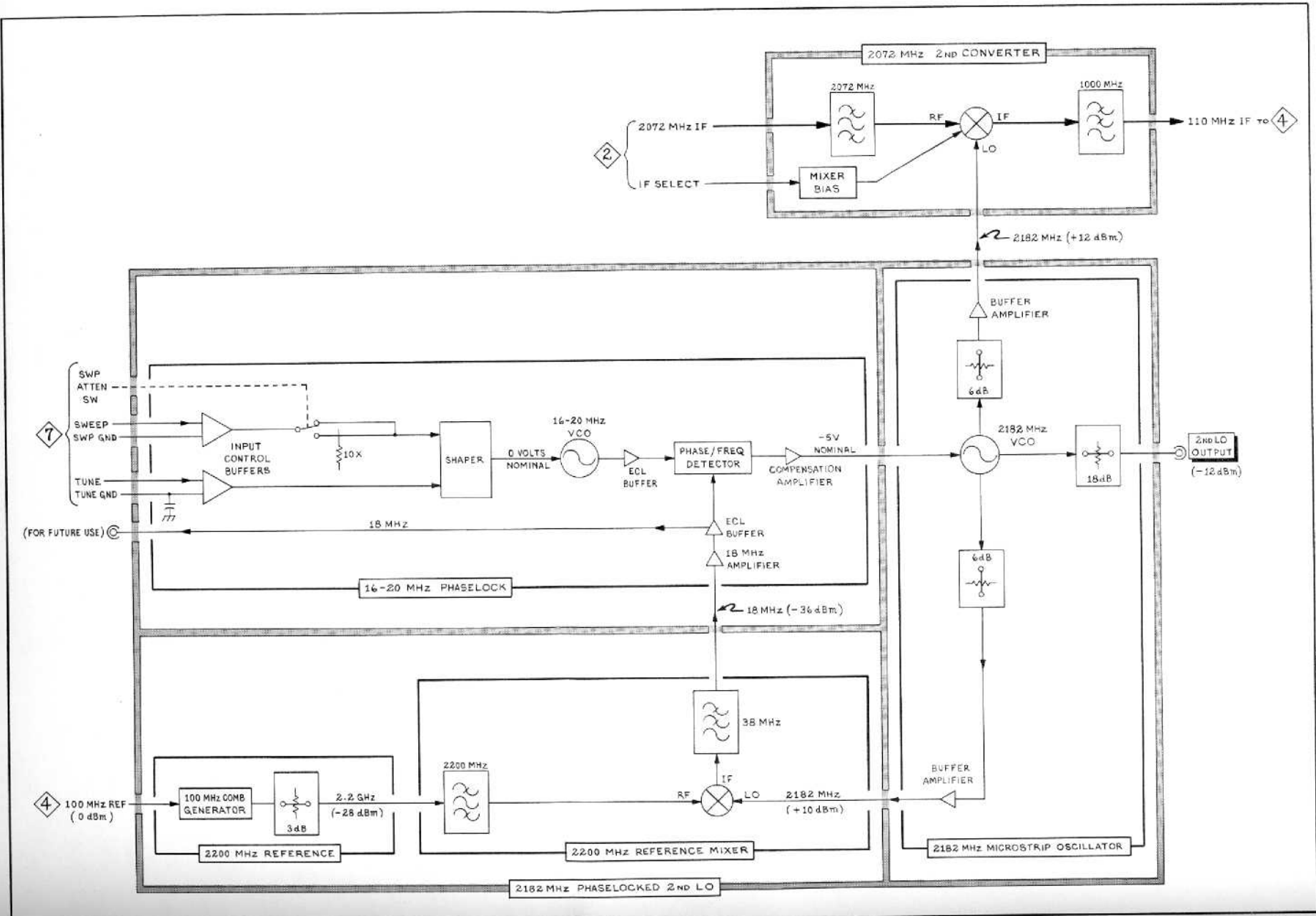
496/496P

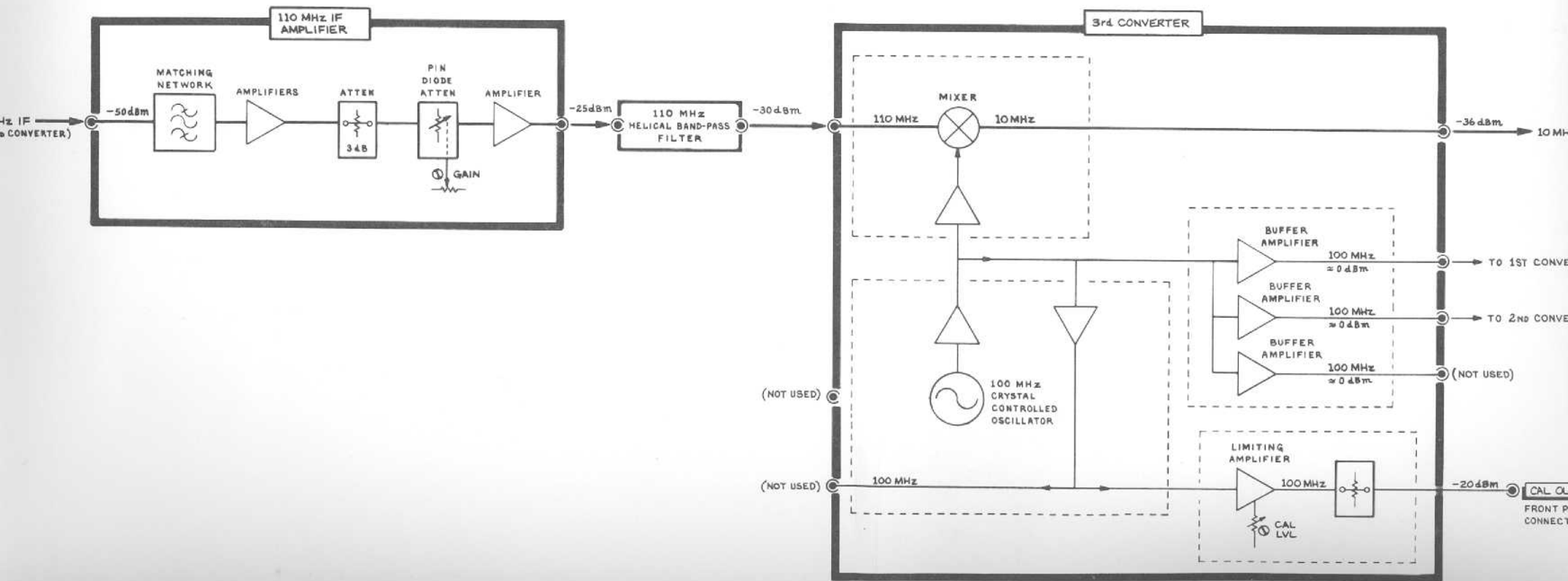
@

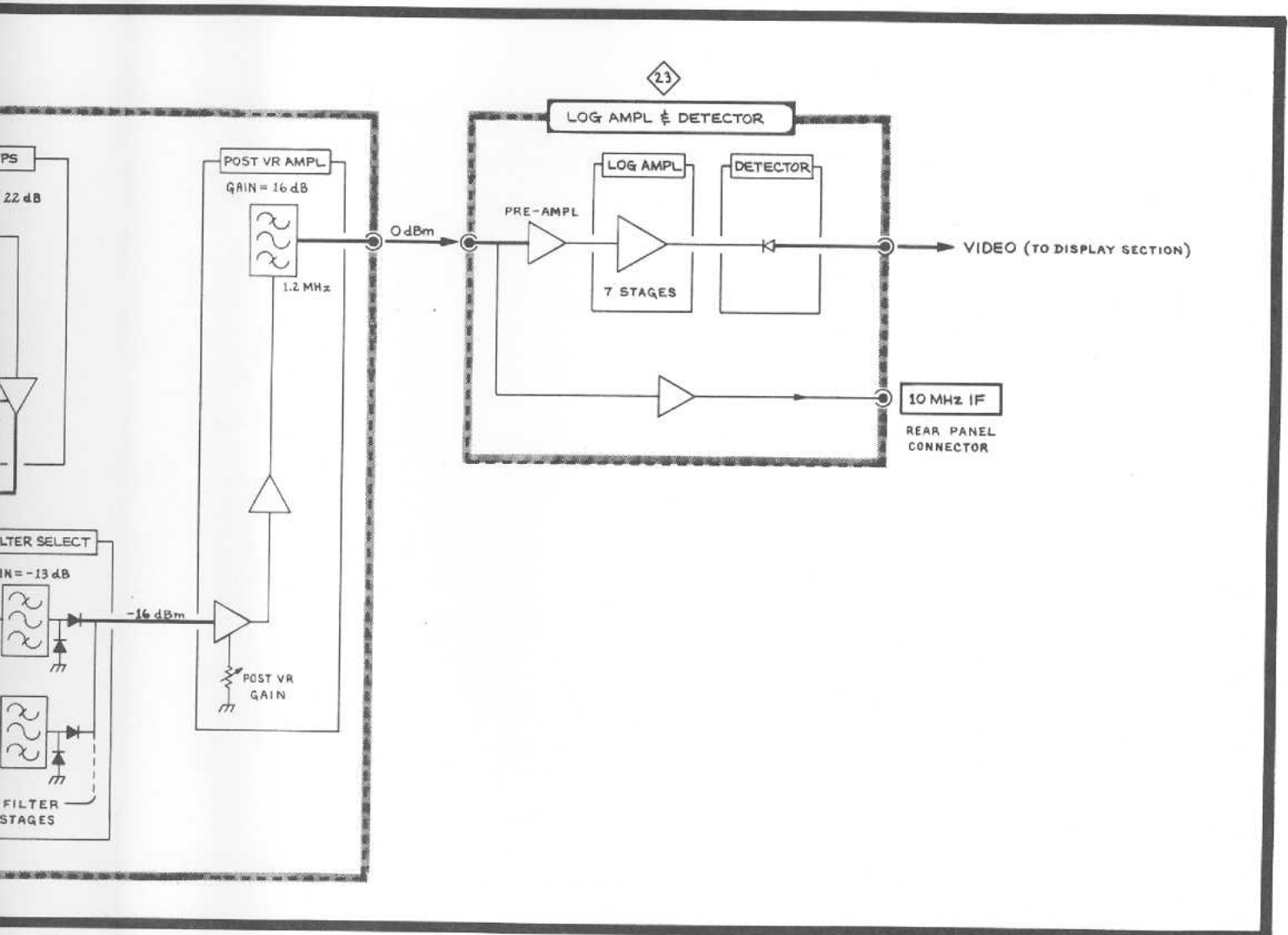


APPLIQUE A PI61
 2.072 GHz @ -40dBm (FULL DET)
 POUR VERIFIER
 TOUT APRES LE 1ST
 MIXER

~ +10dBm



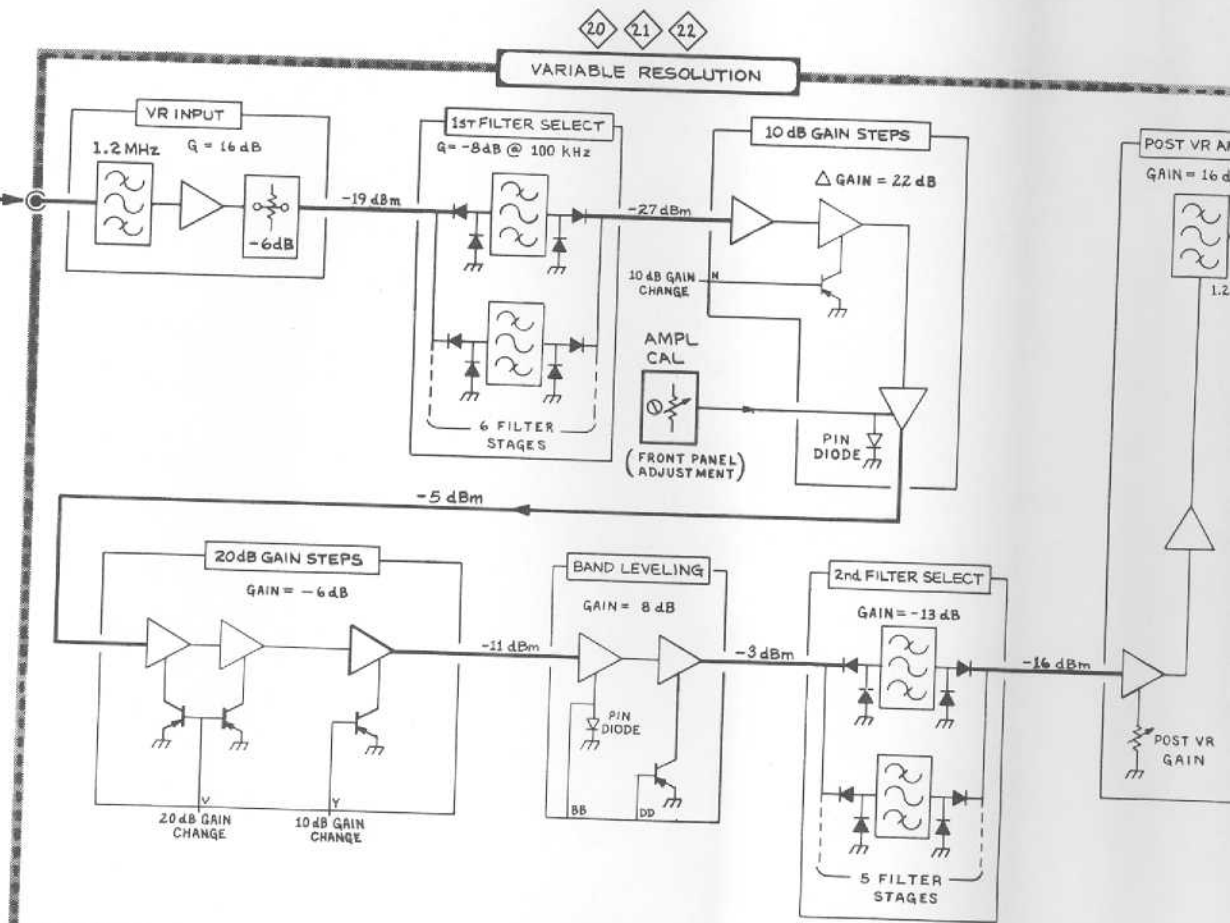


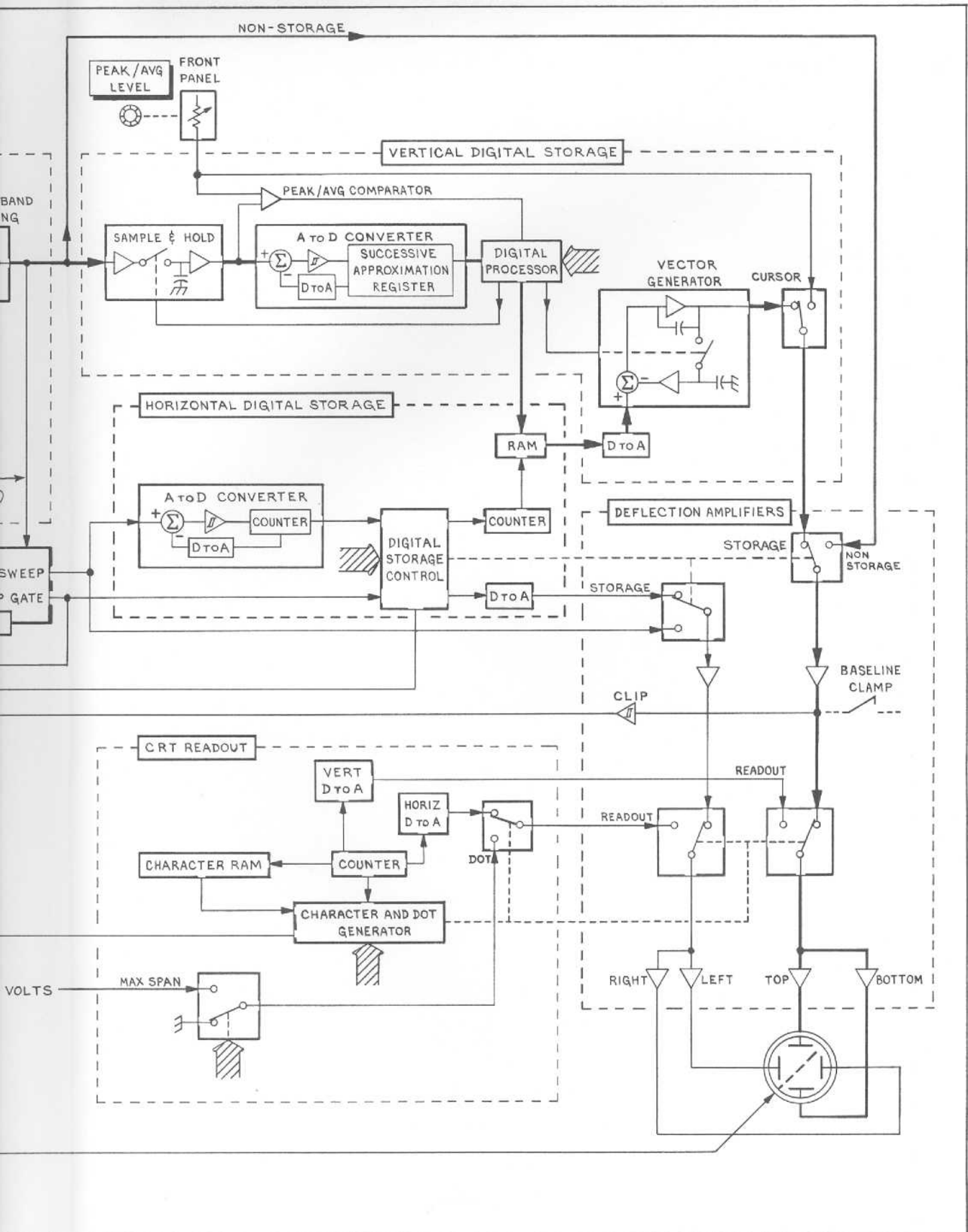


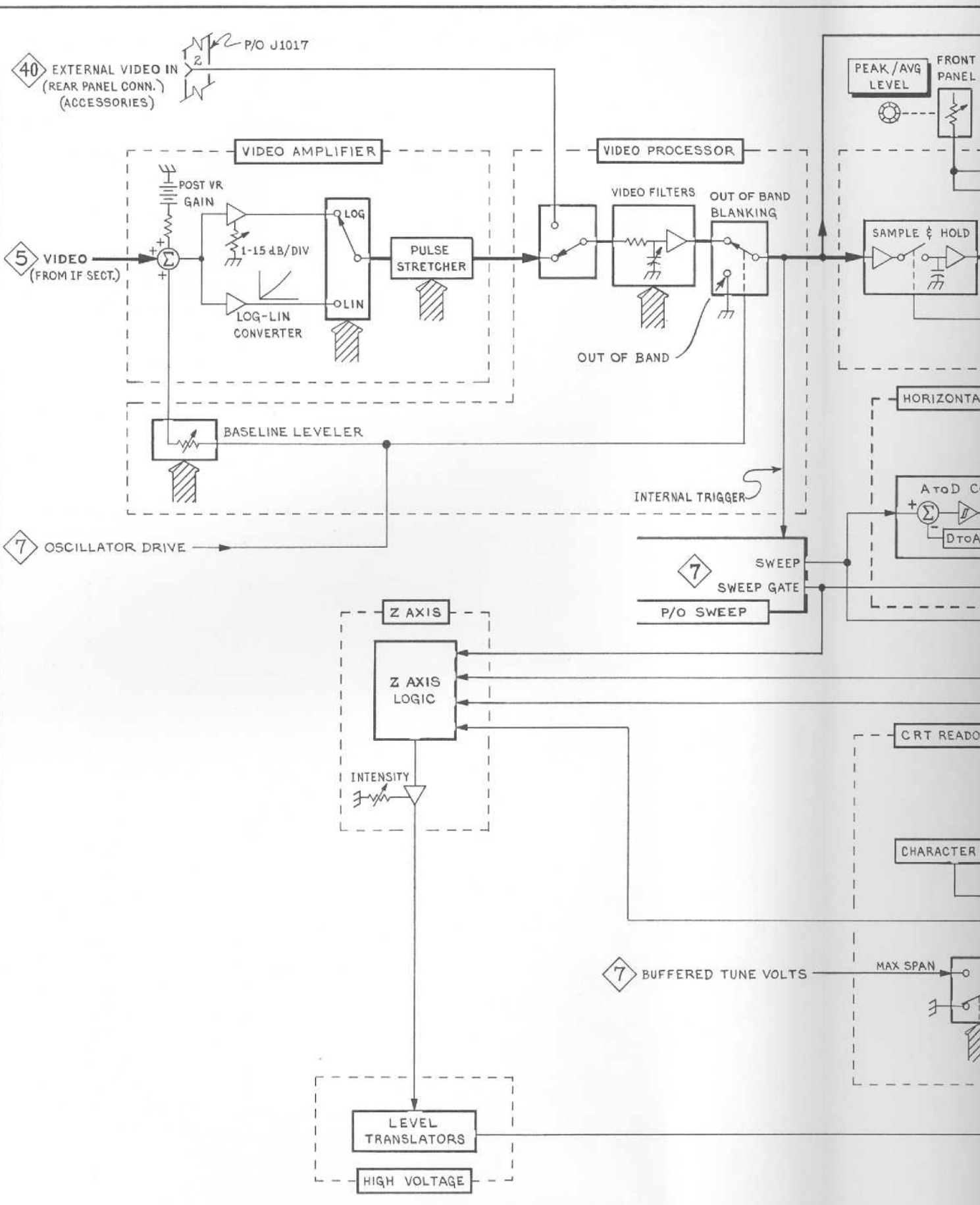
10 MHz (-35 dBm)
(FROM 3rd CONVERTER)

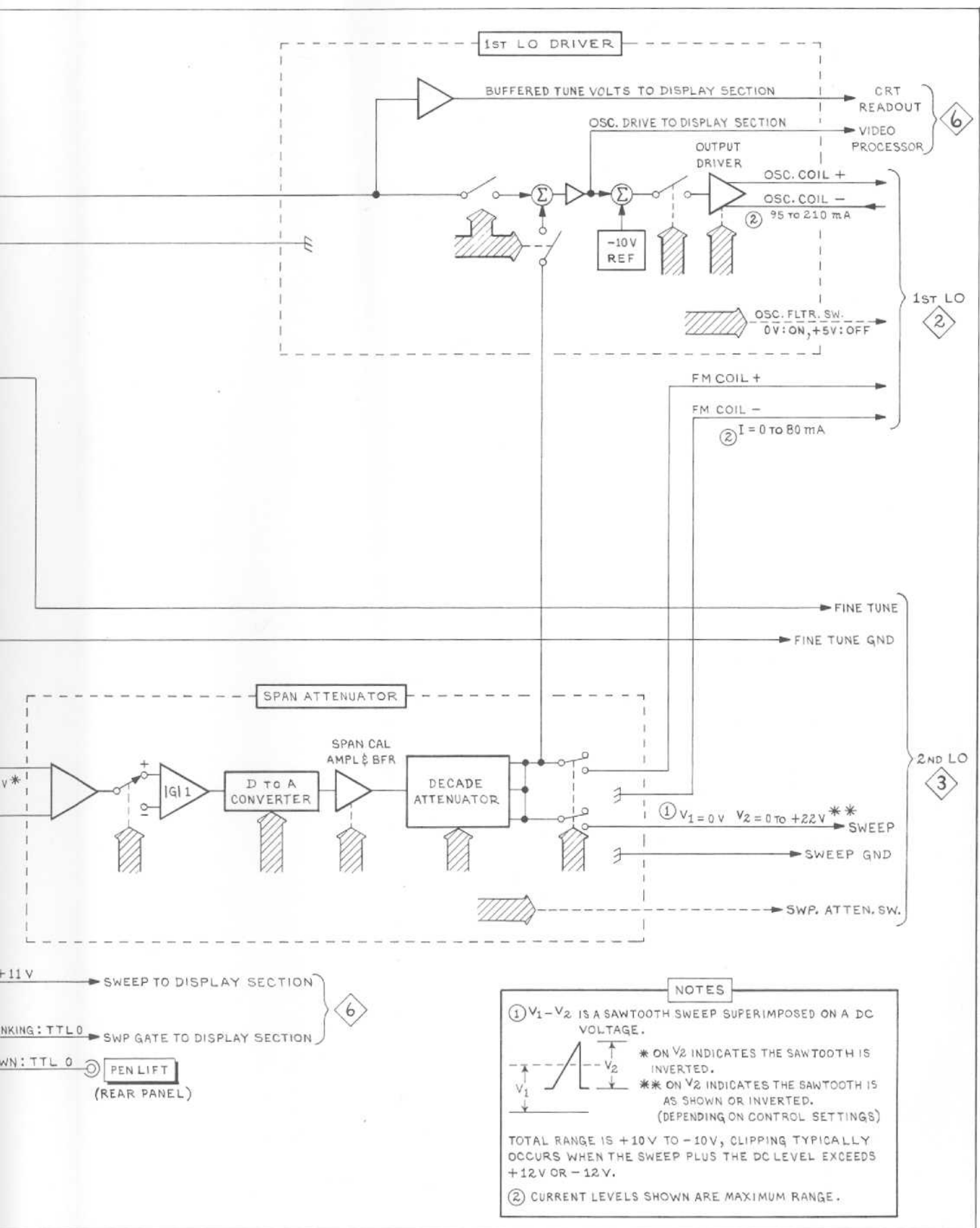
19

20 21 22
VARIABLE RESOLUTION



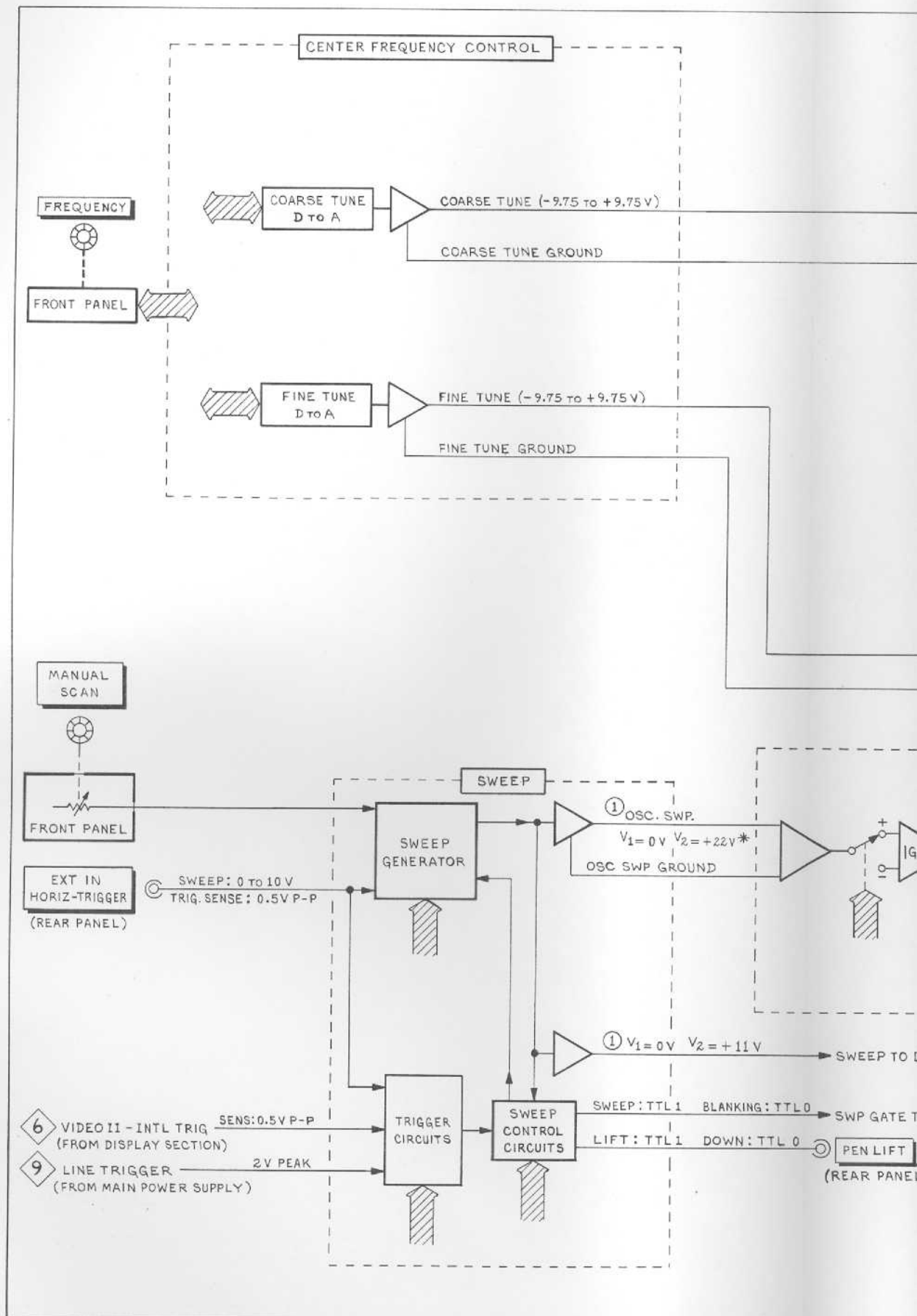


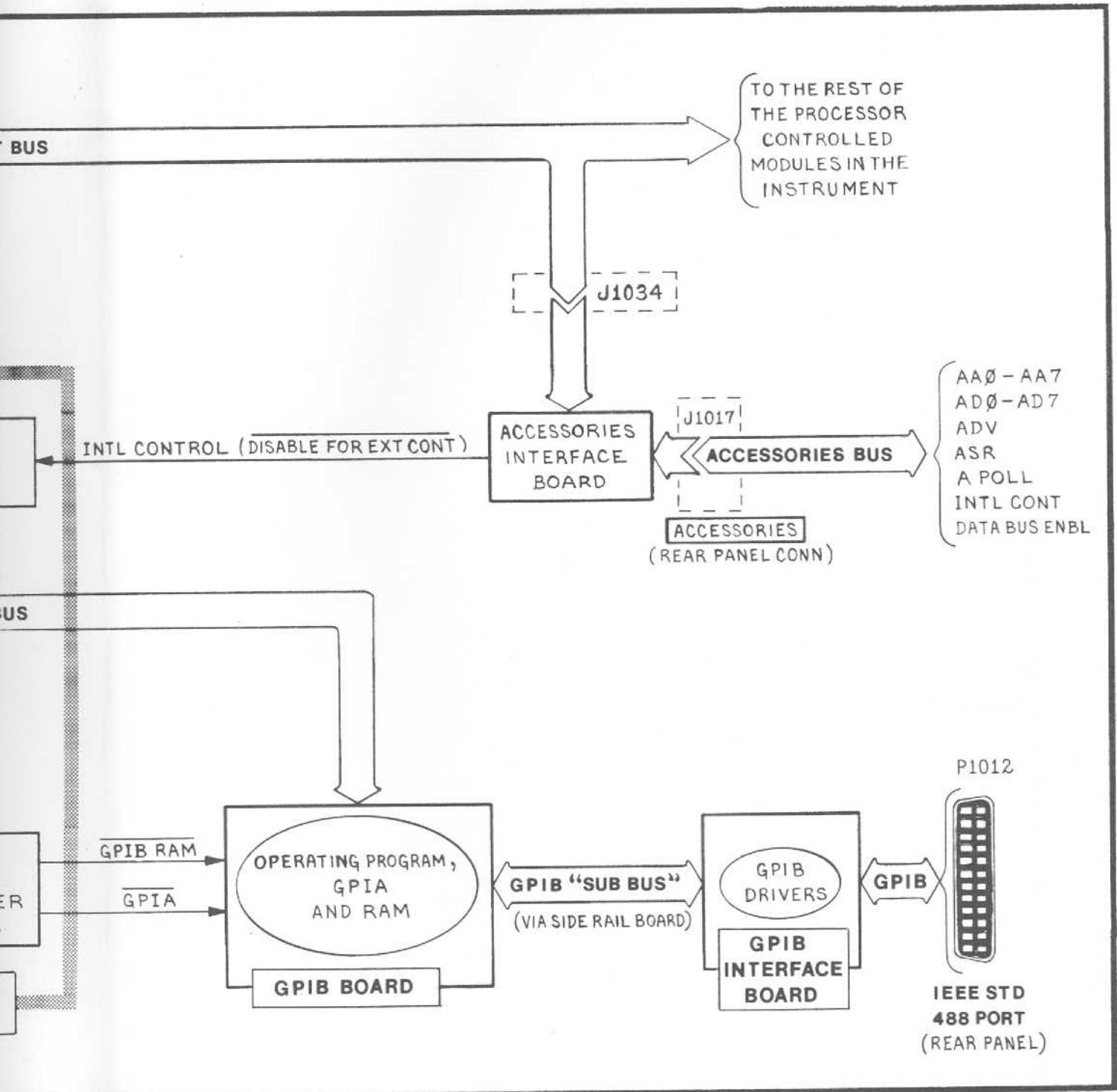


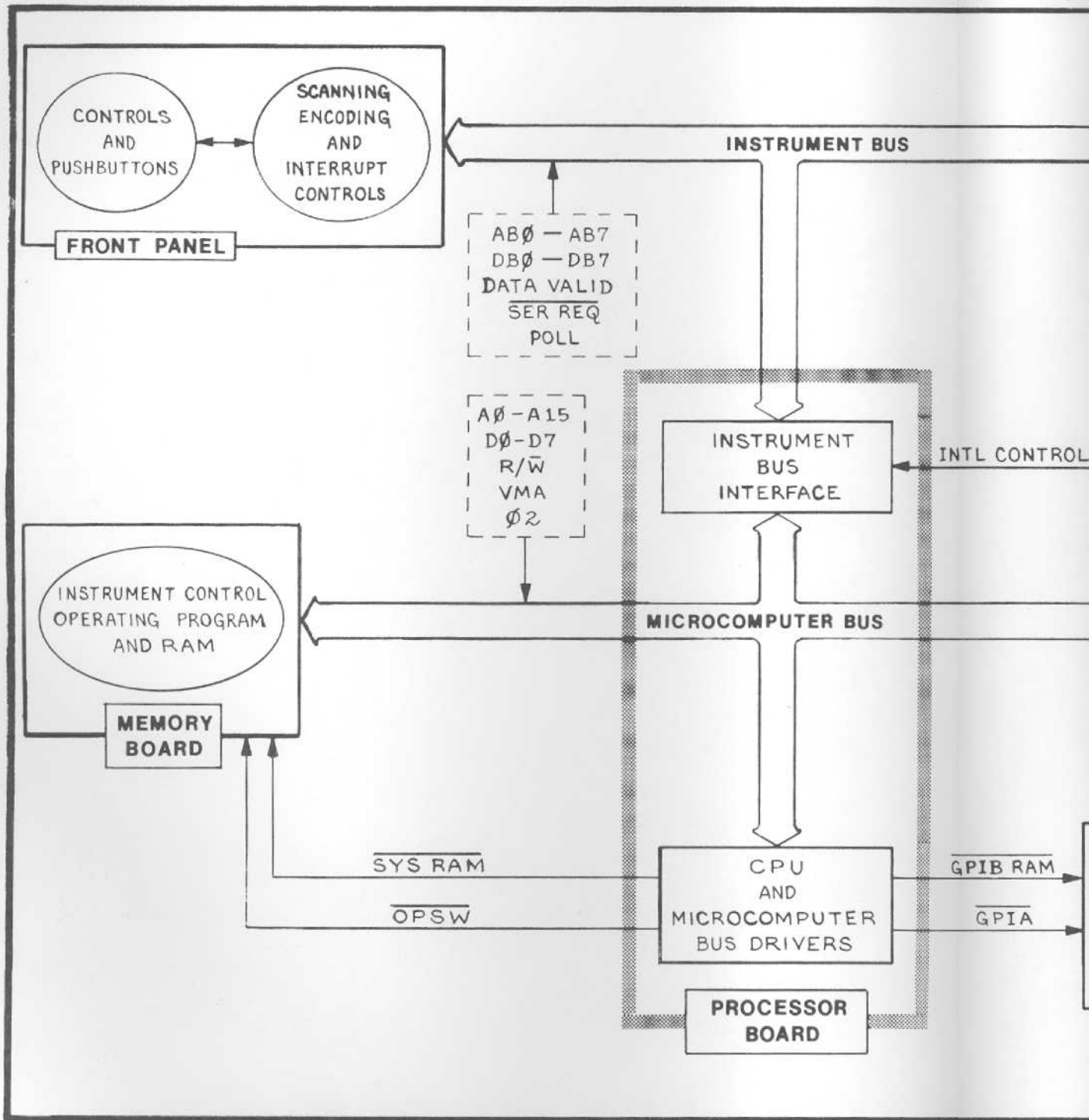


3482-76

FREQUENCY CONTROL SECTION BLOCK DIAGRAM 7 JAW



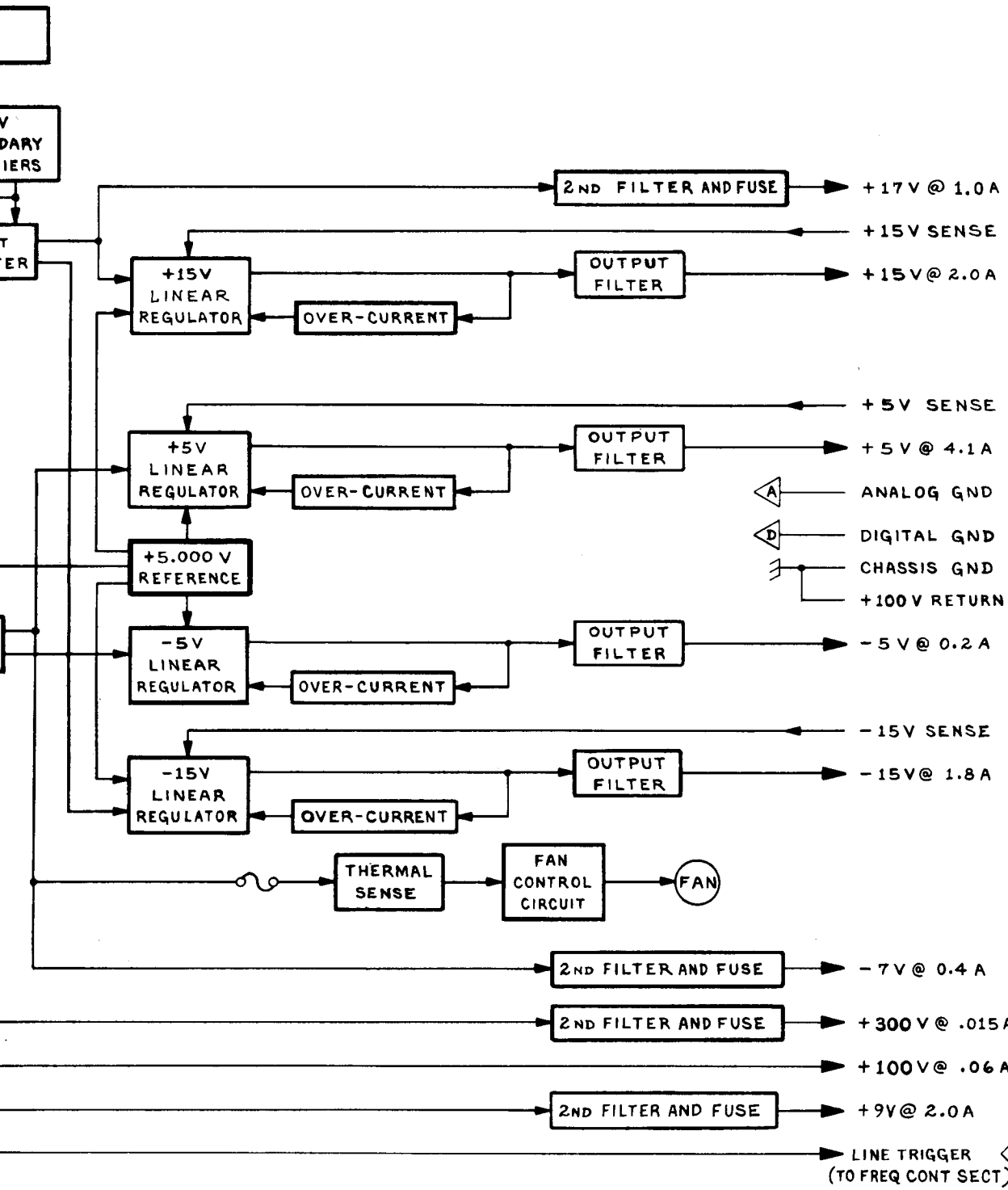




496/496P

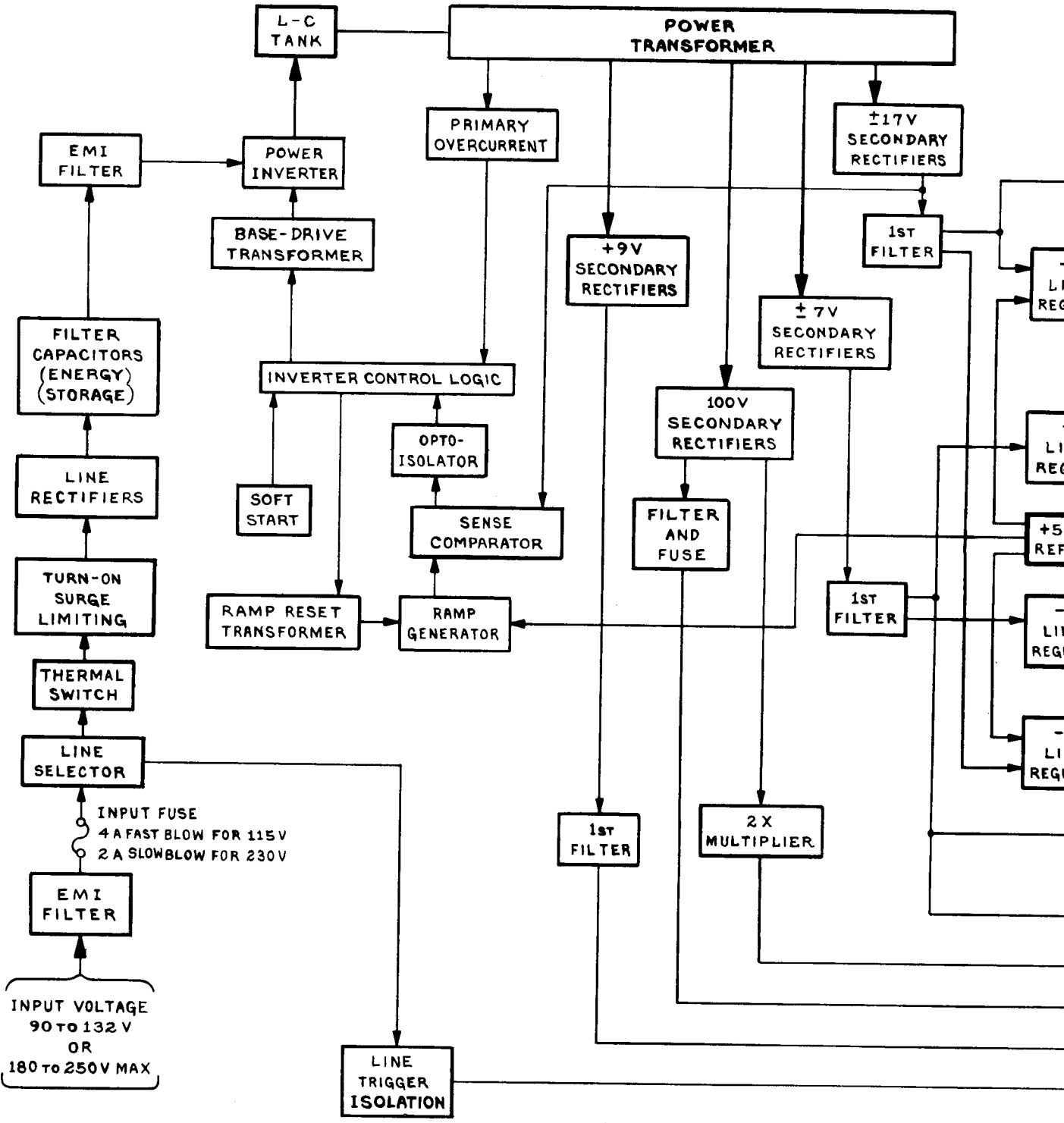
@

3482-77



POWER SUPPLY BLOCK DIAGRAM 9

POWER SUPPLY BLOCK DIAGRAM 9 JAW



496/496P

3482-78

@

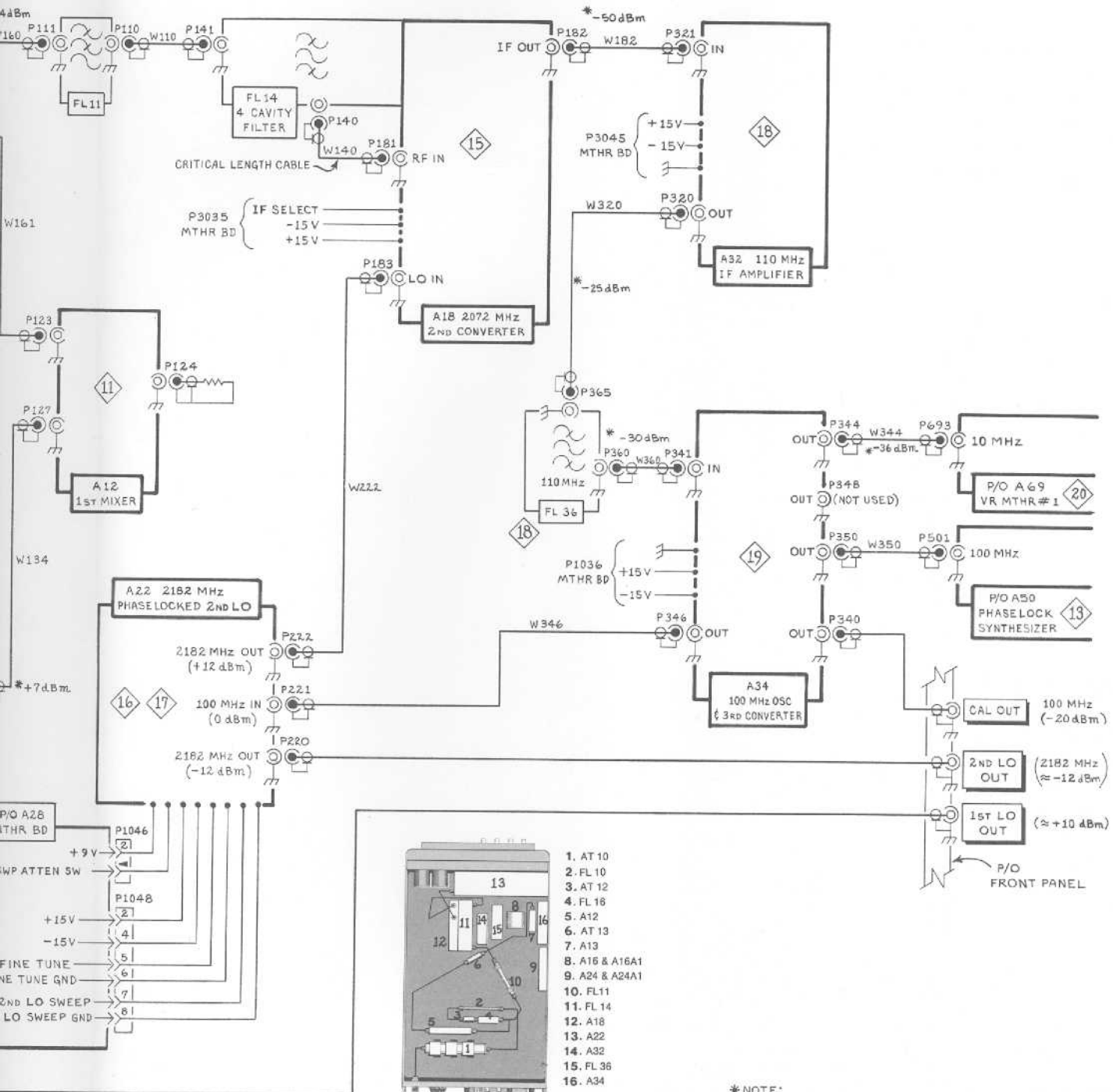
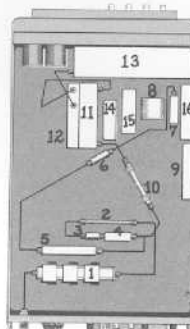


Fig. 8-1. COMPONENT LOCATOR

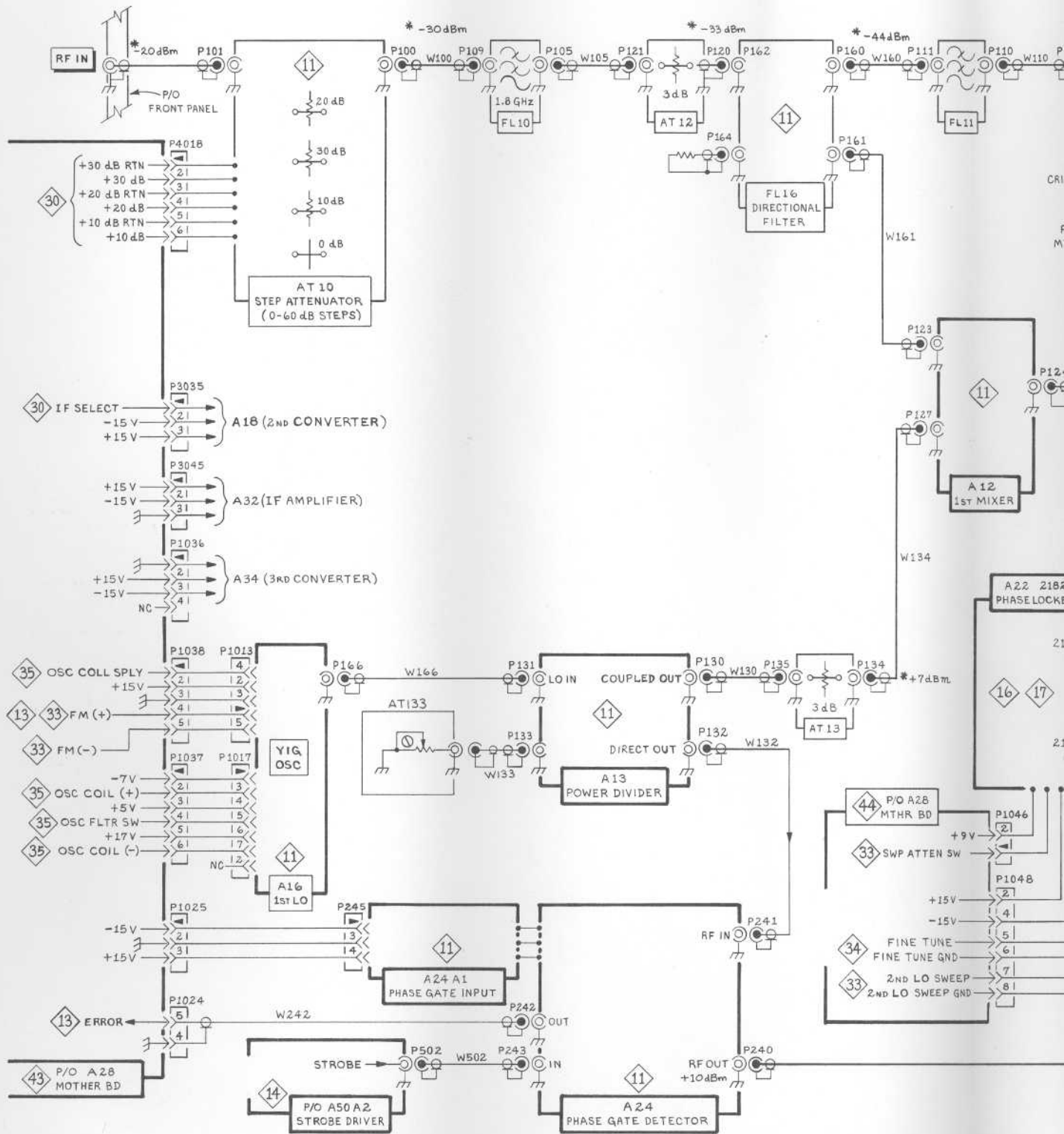


1. AT 10
2. FL 10
3. AT 12
4. FL 16
5. A 12
6. AT 13
7. A 13
8. A 16 & A 16A1
9. A 24 & A 24A1
10. FL 11
11. FL 14
12. A 18
13. A 22
14. A 32
15. FL 36
16. A 34

*NOTE:

SIGNAL LEVELS ARE APPROXIMATE FOR FULL SCREEN DEFLECTION UNDER THE FOLLOWING CONDITIONS.

- (A) -20 dBm REFERENCE LEVEL
- (B) 0 dBm MINIMUM RF ATTENUATION
- (C) MINIMUM DISTORTION MODE



496/496P

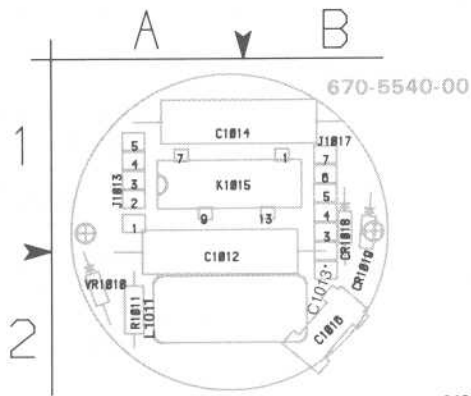
1st Converter

DIAGRAM 11

ASSEMBLY A16A1

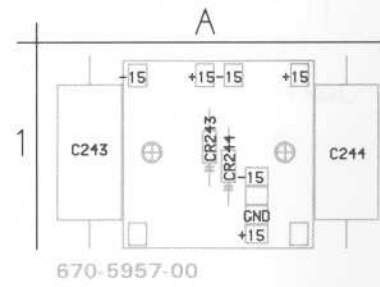
| CIRCUIT NUMBER | SCHEM LOCATION | BOARD LOCATION | CIRCUIT NUMBER | SCHEM LOCATION | BOARD LOCATION | CIRCUIT NUMBER | SCHEM LOCATION | BOARD LOCATION |
|----------------|----------------|----------------|----------------|----------------|----------------|----------------|----------------|----------------|
| C1012 | B2 | A1 | K1015 | B2 | A1 | VR1010 | B3 | A2 |
| C1014 | B2 | A1 | L1011* | B3 | A2 | VR1018 | B2 | B1 |
| C1016 | B3 | B2 | R1011* | B3 | A2 | VR1019 | B2 | B1 |

*See Parts List for serial number ranges.



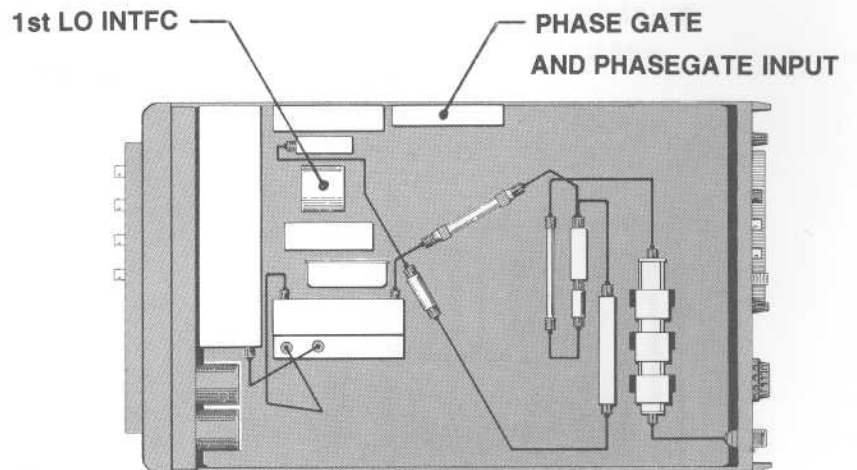
3482-115

Fig. 8-1 A16A1— 1st LO Interface circuit board

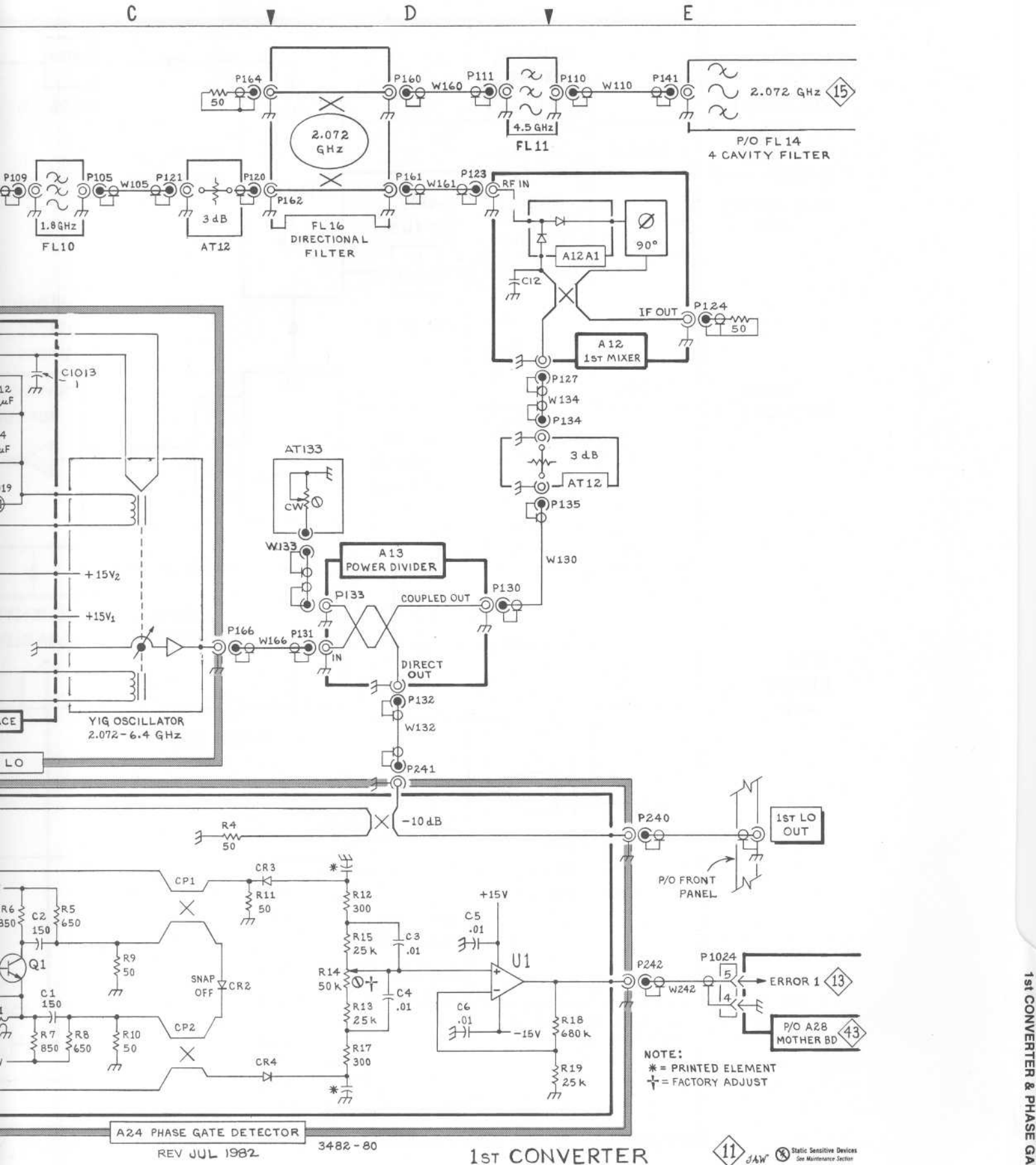


3482-117

Fig. 8-2. A24A1 PHASE GATE INPUT Circuit Board



3482-116



A24 PHASE GATE DETECTOR

REV JUL 1982

3482-80

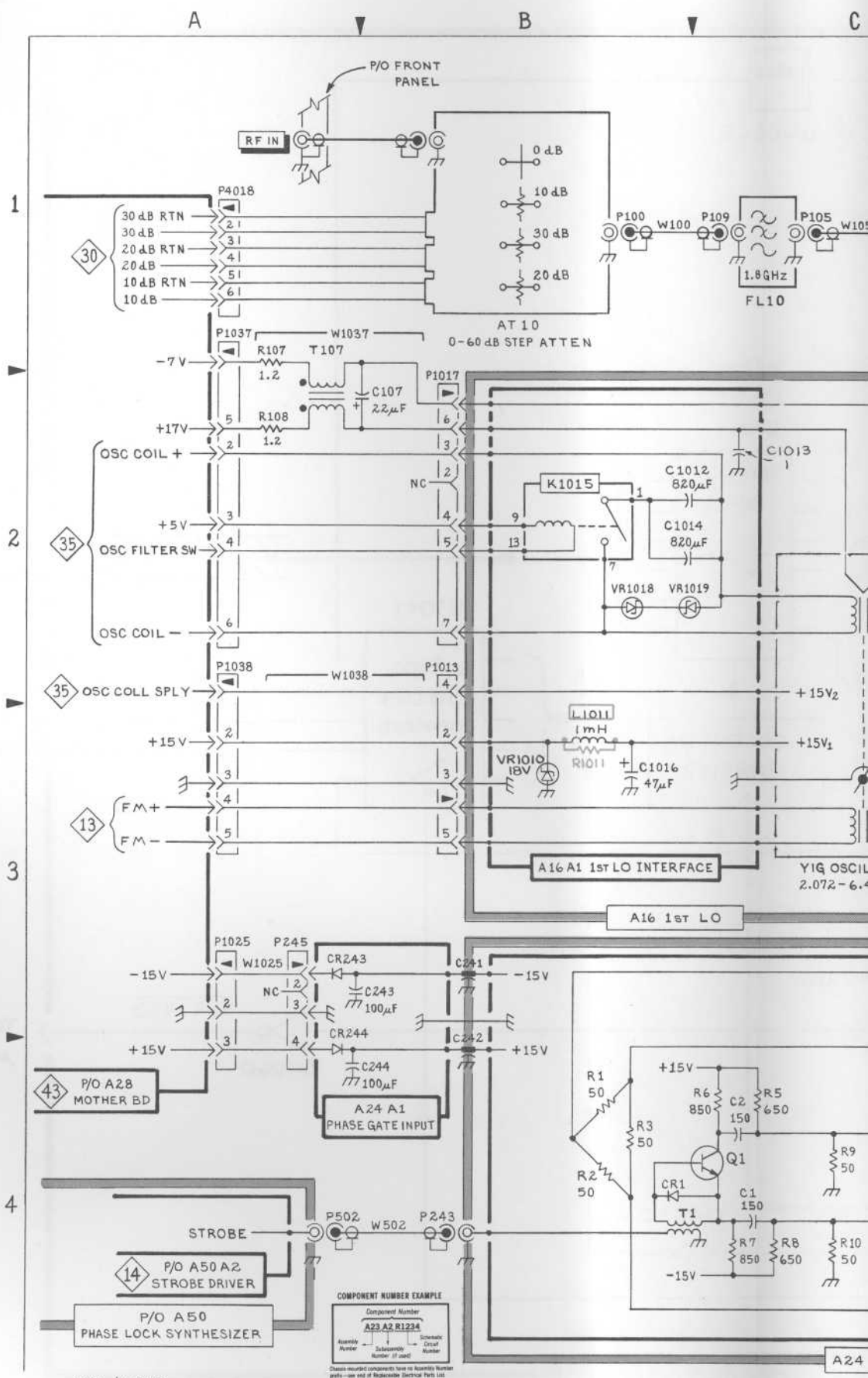
1st CONVERTER

11

dAW Static Sensitive Devices See Maintenance Section

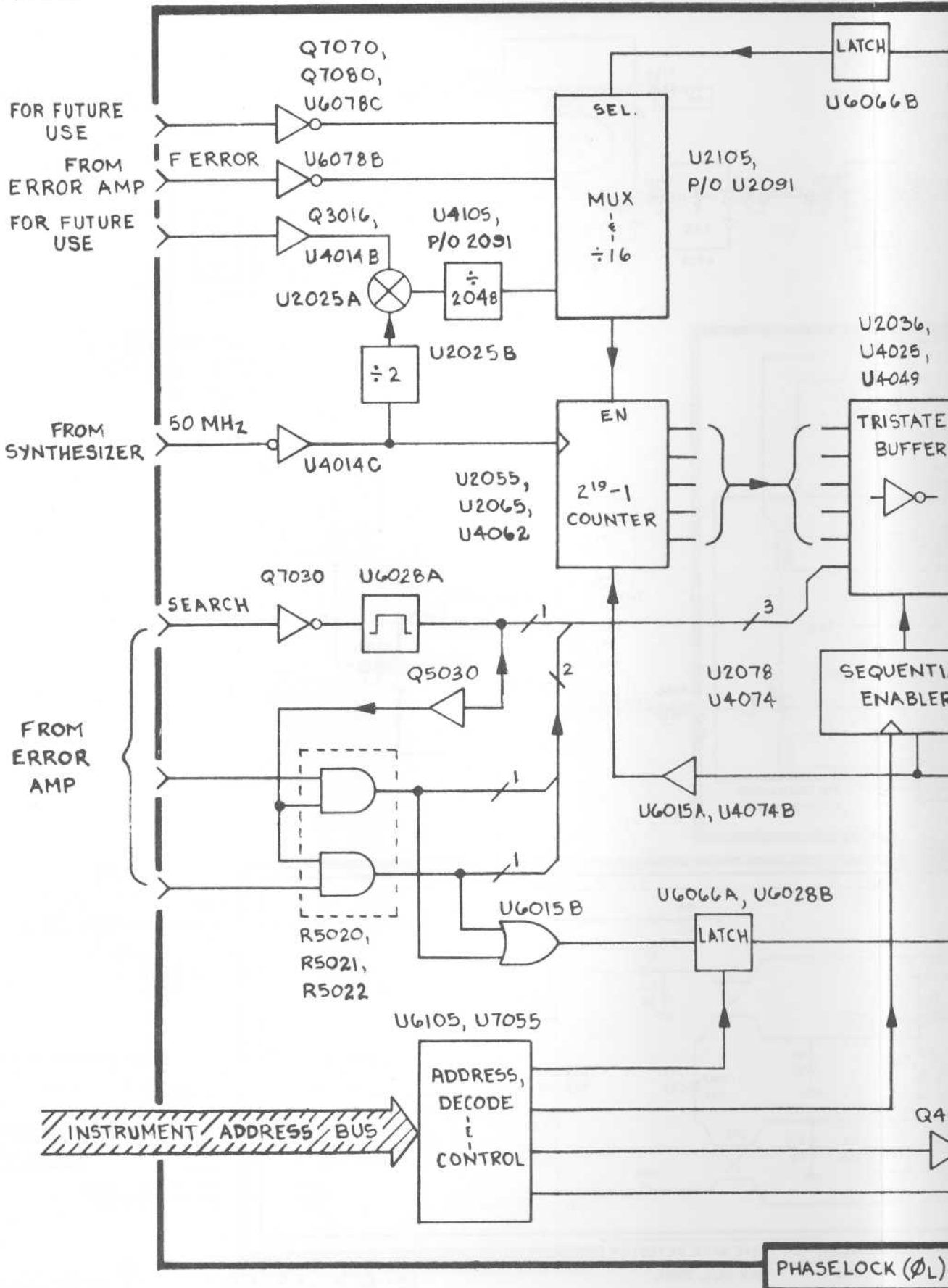
1st CONVERTER & PHASE GATE

11

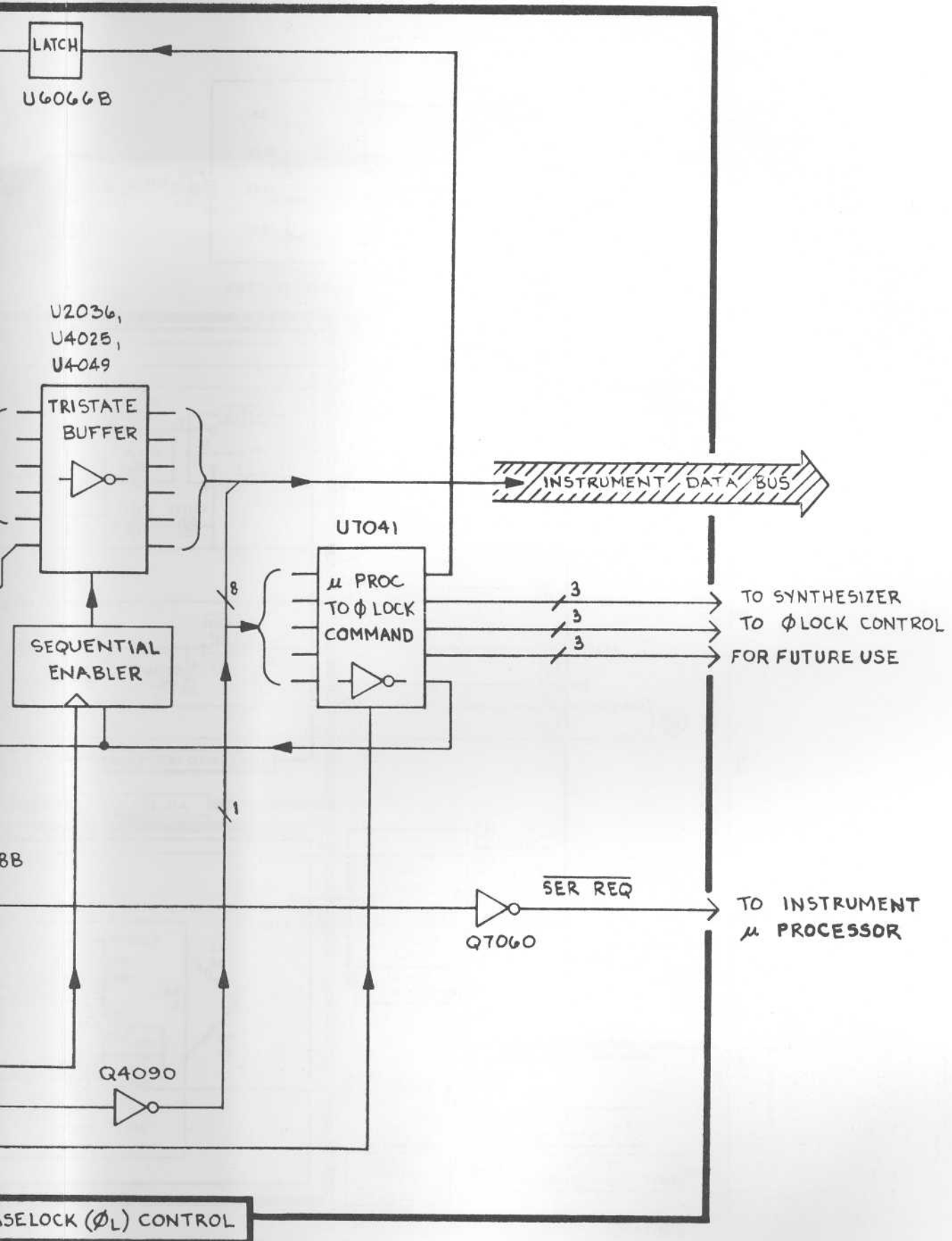


496/496P

COMPONENT NUMBER EXAMPLE
 Component Number
A23 A2 R1234
 Assembly Number Subassembly Number (if used) Schematic Circuit Number
 Check mounted components have no Assembly Number parts - see end of Replaceable Electrical Parts List



PHASELOCK CONT CKT BD LOC & BLOCK DIAG



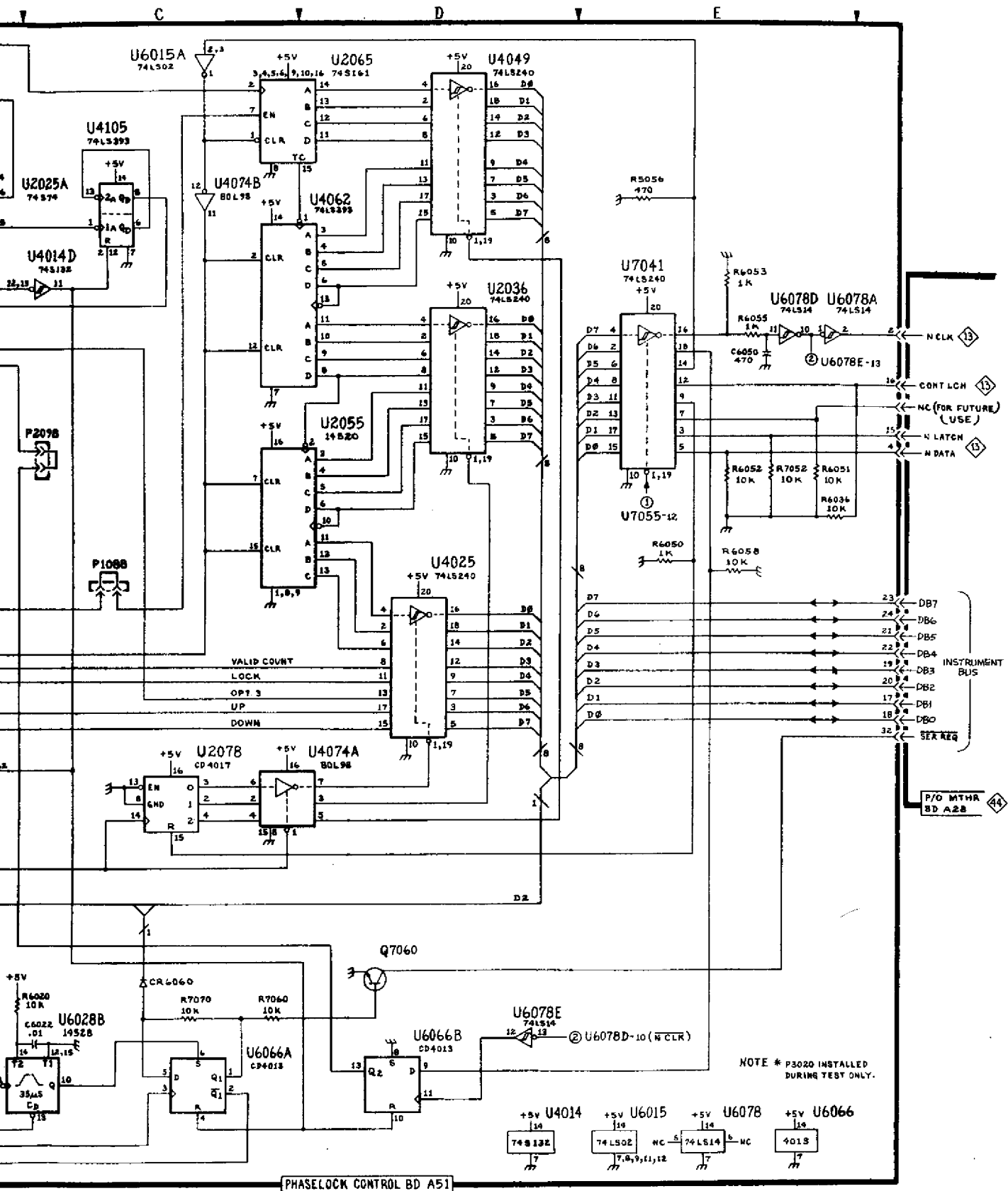
Phase Lock Control

DIAGRAM 12

ASSEMBLY A51

| CIRCUIT NUMBER | SCHEM LOCATION | BOARD LOCATION | CIRCUIT NUMBER | SCHEM LOCATION | BOARD LOCATION | CIRCUIT NUMBER | SCHEM LOCATION | BOARD LOCATION |
|----------------|----------------|----------------|----------------|----------------|----------------|----------------|----------------|----------------|
| C1015 | B1 | A1 | R3011 | A1 | A2 | U2065 | D1 | G2 |
| C1040 | A5 | D1 | R3013 | A1 | A3 | U2078 | C4 | G2 |
| C1090 | A5 | I1 | R4090 | B5 | I4 | U2091 | B3 | I2 |
| C3014 | A1 | A3 | R4091 | B5 | I4 | U2105 | B2 | J2 |
| C5010 | A5 | A5 | R5021 | A4 | B5 | U4014 | D5 | A4 |
| C5090 | A5 | I5 | R5022 | A4 | B5 | U4014A | B4 | A4 |
| C6022 | C5 | B6 | R6020 | B5 | B6 | U4014B | B1 | A4 |
| C6050 | E2 | F6 | R6032 | A3 | C6 | U4014C | A1 | A4 |
| C6092 | A2 | J7 | R6034 | A3 | C6 | U4014D | C2 | A4 |
| C7010 | A5 | A7 | R6036 | E3 | C5 | U4025 | D3 | B4 |
| C7030' | C7 | A3 | R6050 | E3 | E5 | U4049 | D1 | E4 |
| C7032 | A3 | C7 | R6051 | E3 | D6 | U4062 | D1 | F4 |
| C7090 | A2 | I7 | R6052 | E3 | E6 | U4074A | D4 | G4 |
| | | | R6053 | E2 | E5 | U4074B | C1 | G4 |
| CR6060 | C5 | F6 | R6055 | E2 | F5 | U4105 | C1 | J4 |
| CR7026 | A3 | B7 | R6058 | E3 | E6 | U6015 | E5 | A6 |
| CR7027 | A3 | B7 | R7028 | A3 | C7 | U6015A | C1 | A6 |
| CR7030' | C7 | A3 | R7032 | A3 | C6 | U6015B | A4 | A6 |
| J1098 | B2 | J1 | R7052 | E3 | E7 | U6028A | A3 | B6 |
| | | | R7060 | C5 | F7 | U6028B | C5 | B6 |
| P1088 | C3 | I1 | R7070 | C5 | G7 | U6066 | E5 | G6 |
| P2011 | A1 | A1 | R7071 | A2 | G7 | U6066A | C5 | G6 |
| P2098 | C2 | I3 | R7072 | A2 | G7 | U6066B | D5 | G6 |
| P3020 | B1 | B3 | R7073 | A2 | G7 | U6078 | E5 | G6 |
| | | | R7080 | A2 | H7 | U6078A | E2 | G6 |
| Q3016 | B1 | A3 | R7081 | A2 | H7 | U6078C | A2 | G6 |
| Q4090 | B5 | I4 | R7082 | A2 | H7 | U6078D | E5 | G6 |
| Q7030 | A3 | C7 | R7088 | A2 | I6 | U6078D | E2 | G6 |
| Q7060 | D5 | F7 | R7090 | A2 | I7 | U6078E | D5 | G6 |
| Q7070 | A2 | G7 | R7090 | A2 | I7 | U6078E | E2 | G6 |
| Q7080 | A2 | H7 | R7091 | A2 | I7 | U6105 | A5 | J5 |
| | | | R7092 | A2 | I7 | U7041 | B4 | D6 |
| R1019 | B1 | A1 | | | | U7041 | E2 | D6 |
| R1028 | A1 | B1 | U2025A | C1 | B2 | U7055 | A4 | E7 |
| R1090 | B2 | I2 | U2025B | A1 | B2 | U7055 | E3 | E7 |
| R2014 | B1 | A2 | U2036 | D2 | C2 | | | |
| R2019 | B1 | A2 | U2055 | D2 | E2 | W5020 | A4 | B5 |
| R2020 | B1 | B2 | | | | | | |

*See Parts List for serial number ranges.



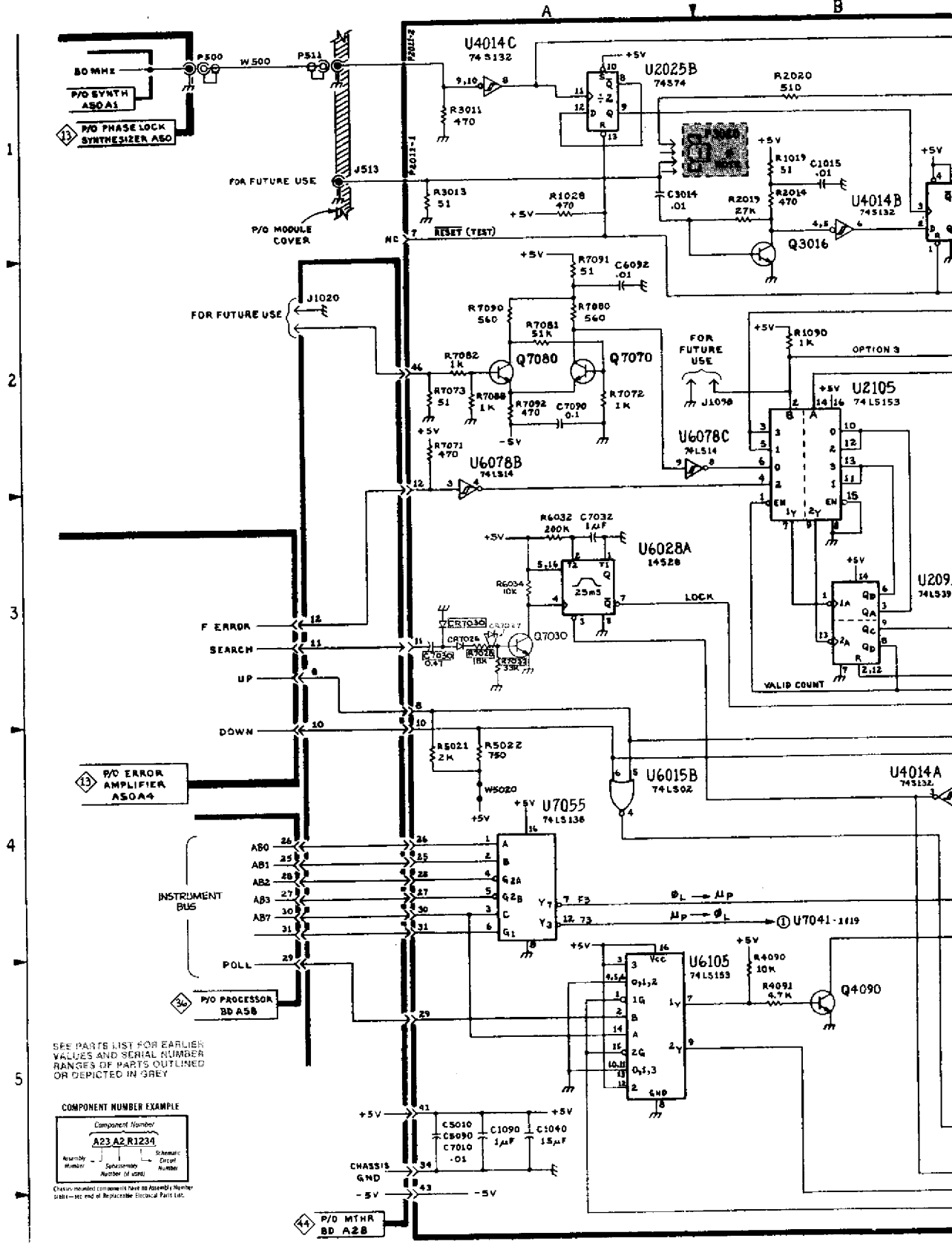
PHASELOCK CONTROL BD A51

© 3482-81
REV SEP 1981

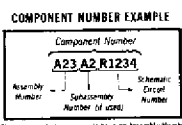
Static Sensitive Devices
See Maintenance Section

PHASELOCK CONTROL 12

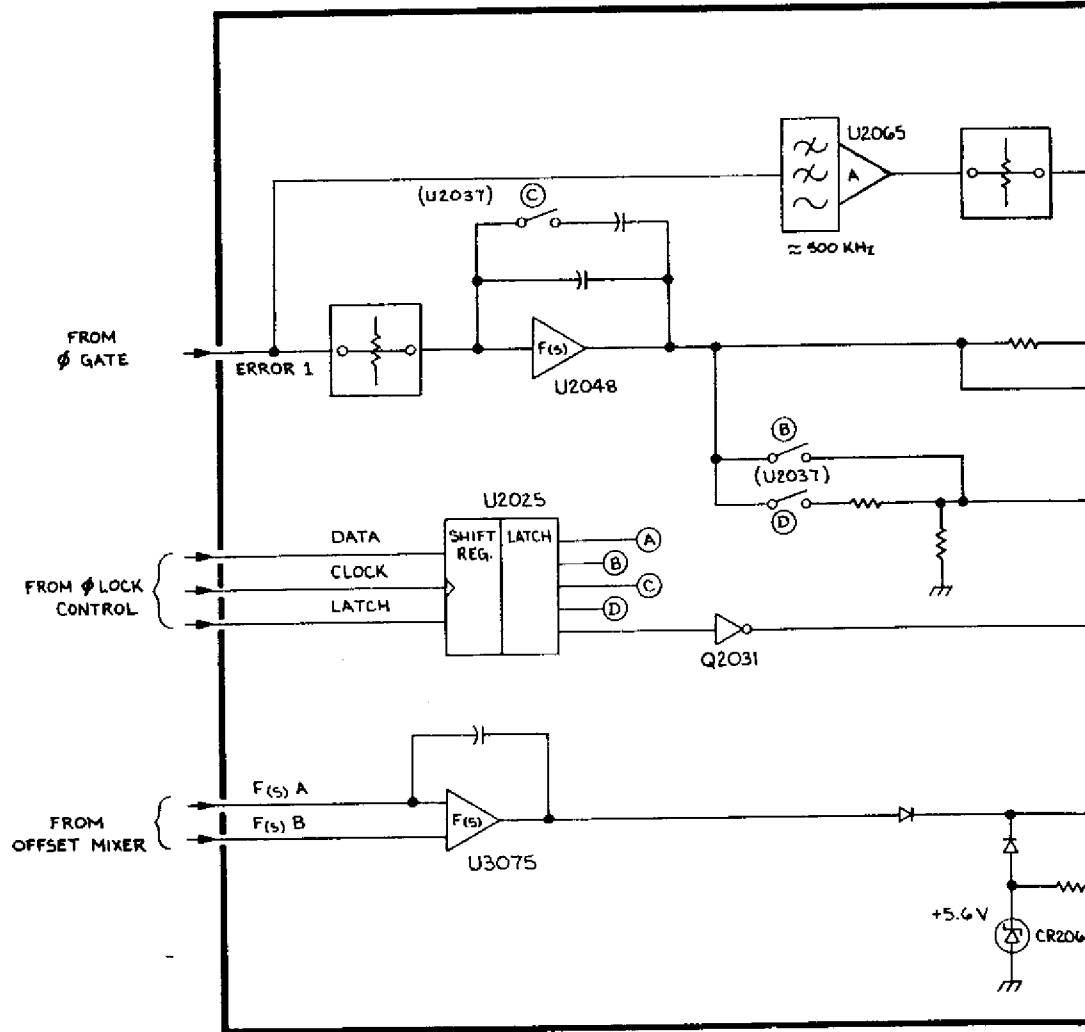
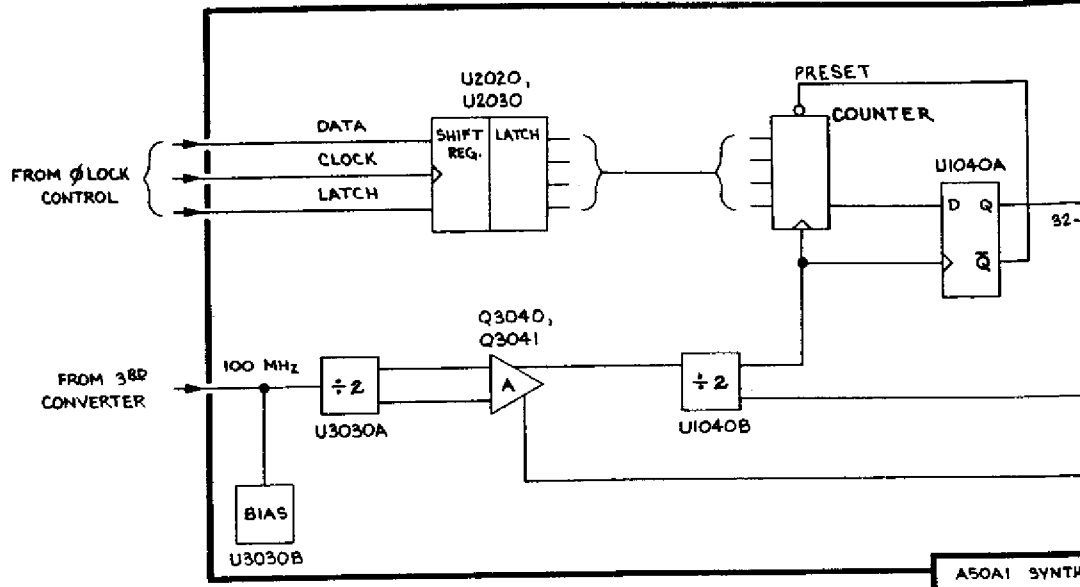
138-1

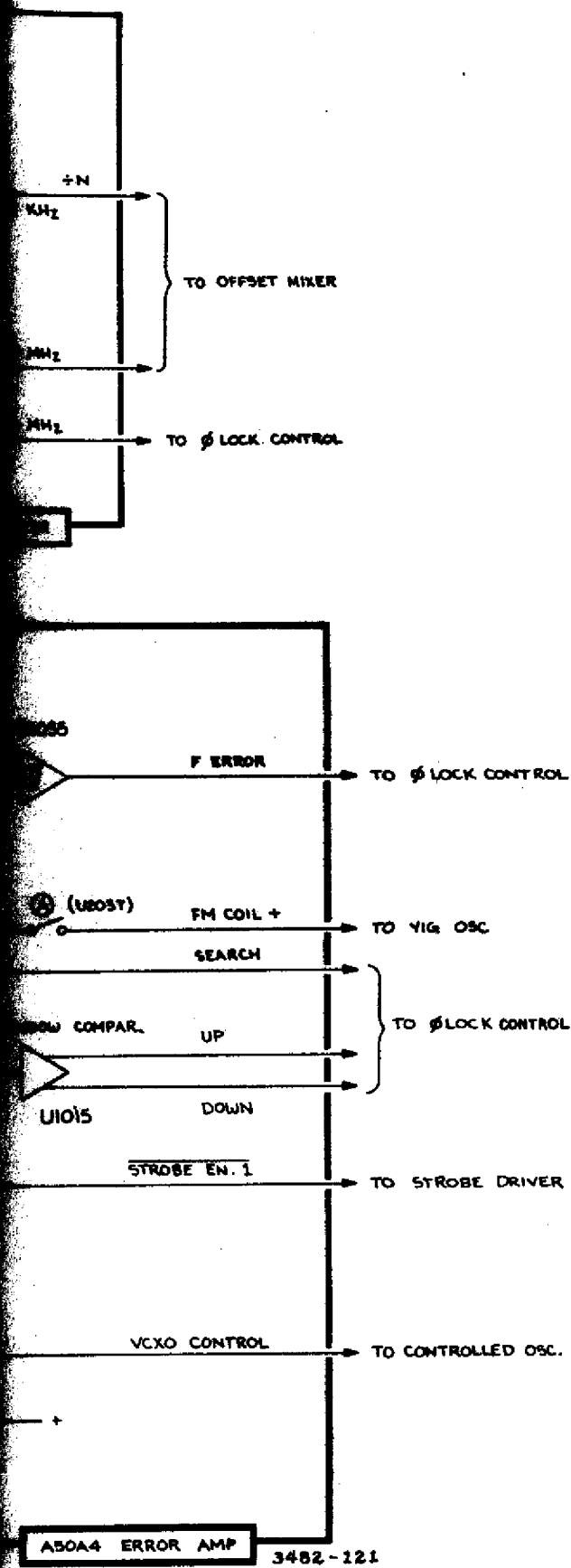


SEE PARTS LIST FOR EARLIER VALUES AND SERIAL NUMBER RANGES OF PARTS OUTLINED OR DEPICTED IN GREY



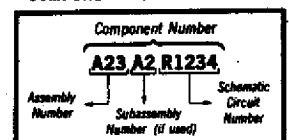
138-2





 Static Sensitive Devices
See Maintenance Section

COMPONENT NUMBER EXAMPLE



Chassis-mounted components have no Assembly Number prefix—see end of Replaceable Electrical Parts List.

Error Amplifier and Synthesizer

DIAGRAM



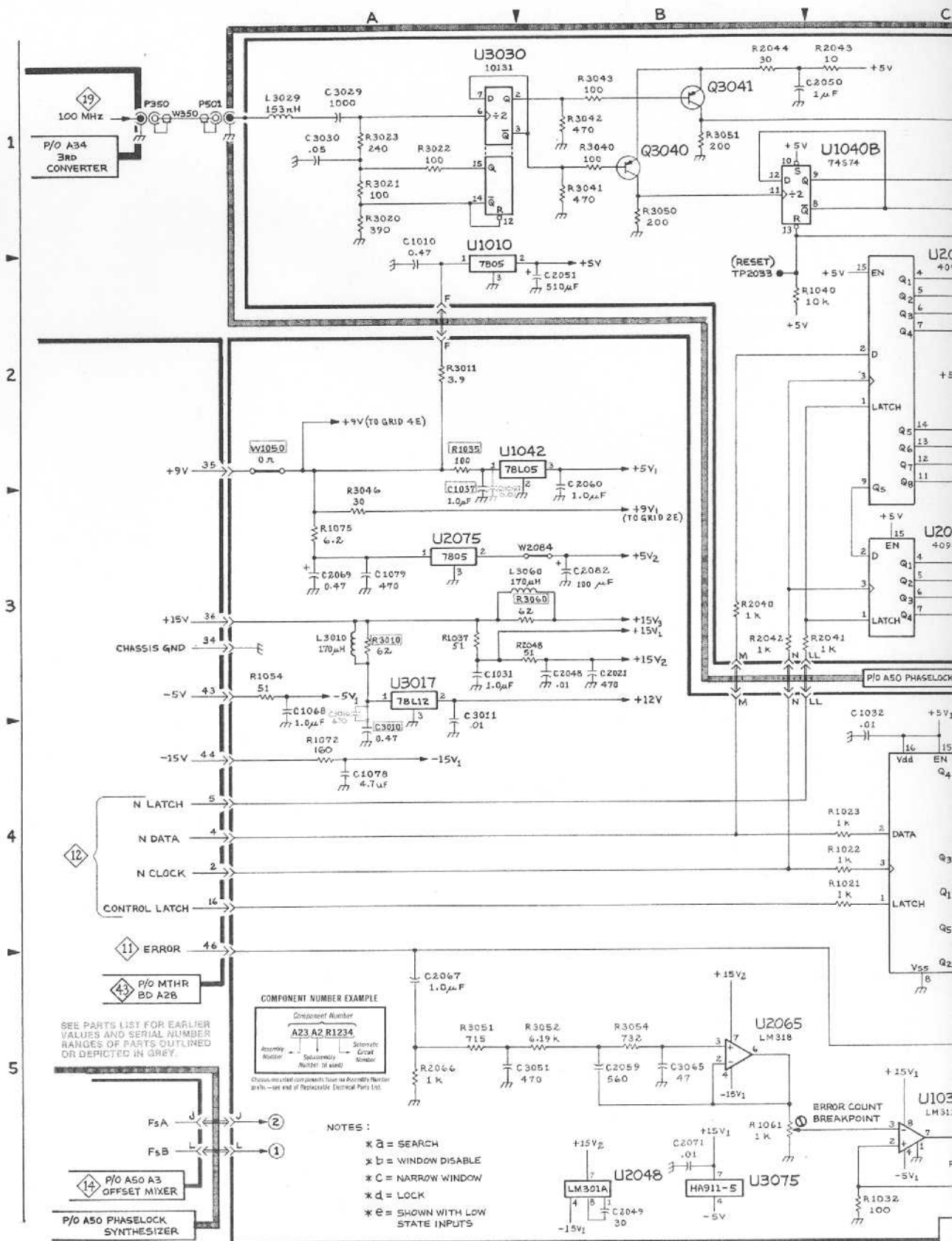
ASSEMBLY A50A4

| CIRCUIT NUMBER | SCHEM LOCATION | BOARD LOCATION | CIRCUIT NUMBER | SCHEM LOCATION | BOARD LOCATION | CIRCUIT NUMBER | SCHEM LOCATION | BOARD LOCATION | CIRCUIT NUMBER | SCHEM LOCATION | BOARD LOCATION |
|----------------|----------------|----------------|----------------|----------------|----------------|----------------|----------------|----------------|----------------|----------------|----------------|
| C1011 | E5 | A1 | C3044 | D4 | D2 | R1075 | A3 | F1 | R3054 | B5 | E3 |
| C1012 | E5 | A1 | C3047 | D5 | D3 | R2013 | E4 | E3 | R3060* | B3 | D3 |
| C1031 | A3 | B1 | C3051 | A5 | E3 | R2014 | E4 | B2 | R3068 | F3 | F3 |
| C1032 | C4 | B2 | C3065 | B5 | F3 | R2015 | E5 | B3 | R3077 | E3 | G3 |
| C1037 | A3 | D1 | | | | R2016 | E5 | B2 | R3078 | E3 | H3 |
| C1038* | D1 | D1 | CR2045* | D2 | D2 | R2017 | E5 | A2 | R3082 | D5 | H3 |
| C1055* | A2 | E1 | CR2046* | D2 | D2 | R2018 | E5 | A2 | R3083 | D5 | H3 |
| C1067* | A3 | G1 | CR3069 | E3 | G3 | R2028 | E4 | C2 | | | |
| C1068 | A3 | F1 | L1045* | A2 | C1 | R2029 | D5 | C3 | TP1031 | E5 | B1 |
| C1078 | A4 | G1 | L3010 | A3 | B3 | R2031 | E4 | C3 | TP2038 | F4 | C2 |
| C1079 | A3 | F2 | L3060 | B3 | D3 | R2038 | D5 | D2 | TP3081 | D4 | H3 |
| C2013 | E4 | A2 | | | | R2042* | D2 | D2 | | | |
| C2017* | A2 | A2 | P2035 | D5 | C2 | R2043 | D4 | D2 | U1015 | E4 | A2 |
| C2021 | B3 | B3 | P3057 | E4 | E3 | R2044* | D4 | D2 | U1035 | C5 | B1 |
| C2034 | C4 | C3 | | | | R2045 | D5 | D2 | U1042 | B2 | E1 |
| C2035 | C5 | C2 | Q2030 | E4 | C2 | R2046 | D5 | D3 | U2025 | C4 | B2 |
| C2048 | B3 | E2 | Q2058* | A2 | D2 | R2048 | B3 | E2 | U2037 | C4 | D2 |
| C2049 | B5 | E2 | R1011 | E5 | A1 | R2049* | D2 | D2 | U2048 | B5 | E2 |
| C2052 | E4 | D2 | R1021 | C4 | B2 | R2051 | D4 | E2 | U2048 | D4 | E2 |
| C2059 | B5 | F2 | R1022 | C4 | B2 | R2052 | D4 | E2 | U2065 | B5 | F2 |
| C2060 | B2 | E1 | R1023 | C4 | B2 | R2061 | E3 | F2 | U2075 | A3 | G1 |
| C2061 | E3 | F3 | R1024 | E4 | C3 | R2062 | E3 | F3 | U3017 | A3 | A3 |
| C2062 | E3 | F3 | R1031 | C5 | B1 | R2066* | A5 | E2 | U3075 | B5 | G2 |
| C2066* | B5 | F3 | R1032 | C5 | B2 | R2067 | E3 | G2 | U3075 | E3 | G2 |
| C2067 | A5 | F2 | R1034* | D1 | C1 | R2083 | D5 | H2 | | | |
| C2069 | A3 | F2 | R1035* | A3 | E3 | R3010* | A3 | B3 | VR2065 | E3 | F2 |
| C2071 | B5 | F2 | R1037* | A3 | C1 | R3011 | A2 | A3 | VR3047 | D4 | E3 |
| C2072 | E3 | F2 | R1038 | C5 | C1 | R3046 | A3 | D3 | VR3048 | D4 | E3 |
| C2077 | E4 | G2 | R1043* | D3 | D1 | R3051 | A5 | E2 | | | |
| C2078 | E3 | H2 | R1050* | A2 | E1 | R3052 | B5 | E3 | W1050* | A2 | E1 |
| C2082 | B3 | H1 | R1052* | A2 | D1 | | | | | | |
| C3010* | A4 | A3 | R1054 | A3 | F1 | | | | | | |
| C3011 | A4 | A3 | R1061 | B5 | F2 | | | | | | |
| C3016* | A4 | A3 | R1072 | A4 | F1 | | | | | | |

ASSEMBLY A50A1

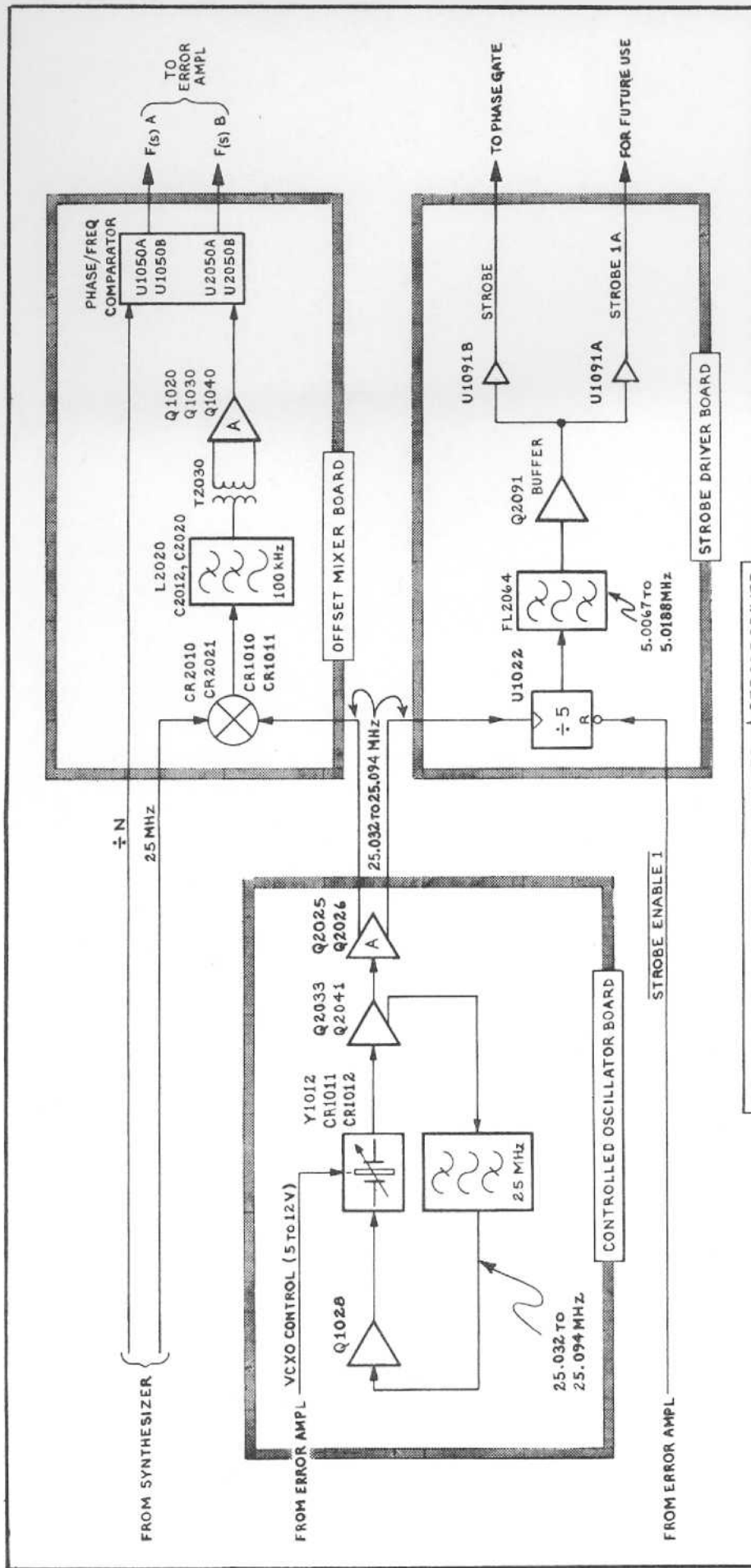
| CIRCUIT NUMBER | SCHEM LOCATION | BOARD LOCATION | CIRCUIT NUMBER | SCHEM LOCATION | BOARD LOCATION | CIRCUIT NUMBER | SCHEM LOCATION | BOARD LOCATION | CIRCUIT NUMBER | SCHEM LOCATION | BOARD LOCATION |
|----------------|----------------|----------------|----------------|----------------|----------------|----------------|----------------|----------------|----------------|----------------|----------------|
| C1010 | A2 | A1 | L3029 | A1 | B3 | R3022 | A1 | B3 | U1020 | D3 | B1 |
| C1030 | D2 | C1 | | | | R3023 | A1 | B3 | U1030 | D3 | C1 |
| C1040 | E1 | D1 | Q3040 | B1 | E3 | R3040 | B1 | D3 | U1030 | C3 | C1 |
| C2010 | D3 | A2 | Q3041 | B1 | E3 | R3041 | B1 | D3 | U1040 | E2 | C1 |
| C2020 | D3 | B2 | | | | R3042 | B1 | D3 | U1040B | B1 | C1 |
| C2021 | D3 | B2 | R1040 | B2 | D1 | R3043 | B1 | D3 | U1040A | E2 | C1 |
| C2040 | E2 | D2 | R2040 | B3 | D2 | R3050 | B1 | E3 | U2010 | C2 | A2 |
| C2040 | E2 | D2 | R2040 | B1 | D2 | R3051 | B1 | E3 | U2010 | D3 | A2 |
| C2050 | B1 | E2 | R2041 | B3 | D2 | | | | U2020 | C2 | B2 |
| C2051 | B2 | E2 | R2042 | B3 | D2 | TP1040 | E2 | B1 | U2020 | E3 | B2 |
| C3029 | A1 | B3 | R2043 | C1 | D2 | TP2033 | B2 | E1 | U2030 | E3 | D2 |
| C3030 | A1 | B3 | R2044 | B1 | D2 | TP2040 | E1 | D1 | U2030 | C3 | D2 |
| C3031 | D2 | C3 | R3020 | A1 | C3 | | | | U3033 | A1 | C3 |
| | | | R3021 | A1 | B3 | U1010 | A2 | A1 | | | |
| | | | | | | U1020 | C2 | B1 | | | |

*See Parts List for serial number ranges.



496/496P

145



3482-124

Controlled Oscillator, Offset Mixer and Strobe Driver

DIAGRAM

14

ASSEMBLY A50A3

| CIRCUIT NUMBER | SCHEM LOCATION | BOARD LOCATION | CIRCUIT NUMBER | SCHEM LOCATION | BOARD LOCATION | CIRCUIT NUMBER | SCHEM LOCATION | BOARD LOCATION | CIRCUIT NUMBER | SCHEM LOCATION | BOARD LOCATION |
|----------------|----------------|----------------|----------------|----------------|----------------|----------------|----------------|----------------|----------------|----------------|----------------|
| C1030* | C3 | C1 | L2020 | B1 | B2 | R1042 | B1 | D1 | TP1058 | A3 | E1 |
| C1031 | C3 | C1 | | | | R1050 | B3 | E1 | TP2012 | B3 | A2 |
| C1040 | B2 | D1 | Q1020 | C1 | B1 | R2010 | A2 | A1 | U1030 | C3 | C1 |
| C1050 | C3 | E1 | Q2021 | B1 | B2 | R2021 | A1 | B1 | U1050B | B2 | E1 |
| | | | Q1030 | C1 | C1 | R2025 | B1 | B2 | U1050A | A2 | E1 |
| C2020 | B2 | B2 | Q1040 | B2 | D1 | R2026 | B1 | B2 | U1050 | C3 | E1 |
| C2041 | C3 | C2 | | | | R2030 | B1 | C2 | U2040 | C3 | D2 |
| C2050 | C3 | E2 | R1010 | A2 | A1 | R2031 | C1 | C2 | U2050 | C3 | E2 |
| CR1010 | A2 | A1 | R1011 | A1 | A1 | R2032 | C1 | C2 | U2050A | A3 | E2 |
| CR1011 | A1 | A1 | R1020 | C1 | B1 | R2040 | A3 | D2 | U2050B | A3 | E2 |
| CR2010 | A2 | A1 | R1030 | C1 | C1 | | | | | | |
| CR2021 | A1 | B1 | R1031 | C3 | C1 | T1010 | A1 | A1 | | | |
| | | | R1040 | C3 | C1 | T2010 | B1 | A2 | | | |
| | | | R1041 | C1 | D1 | T2030 | B1 | C2 | | | |

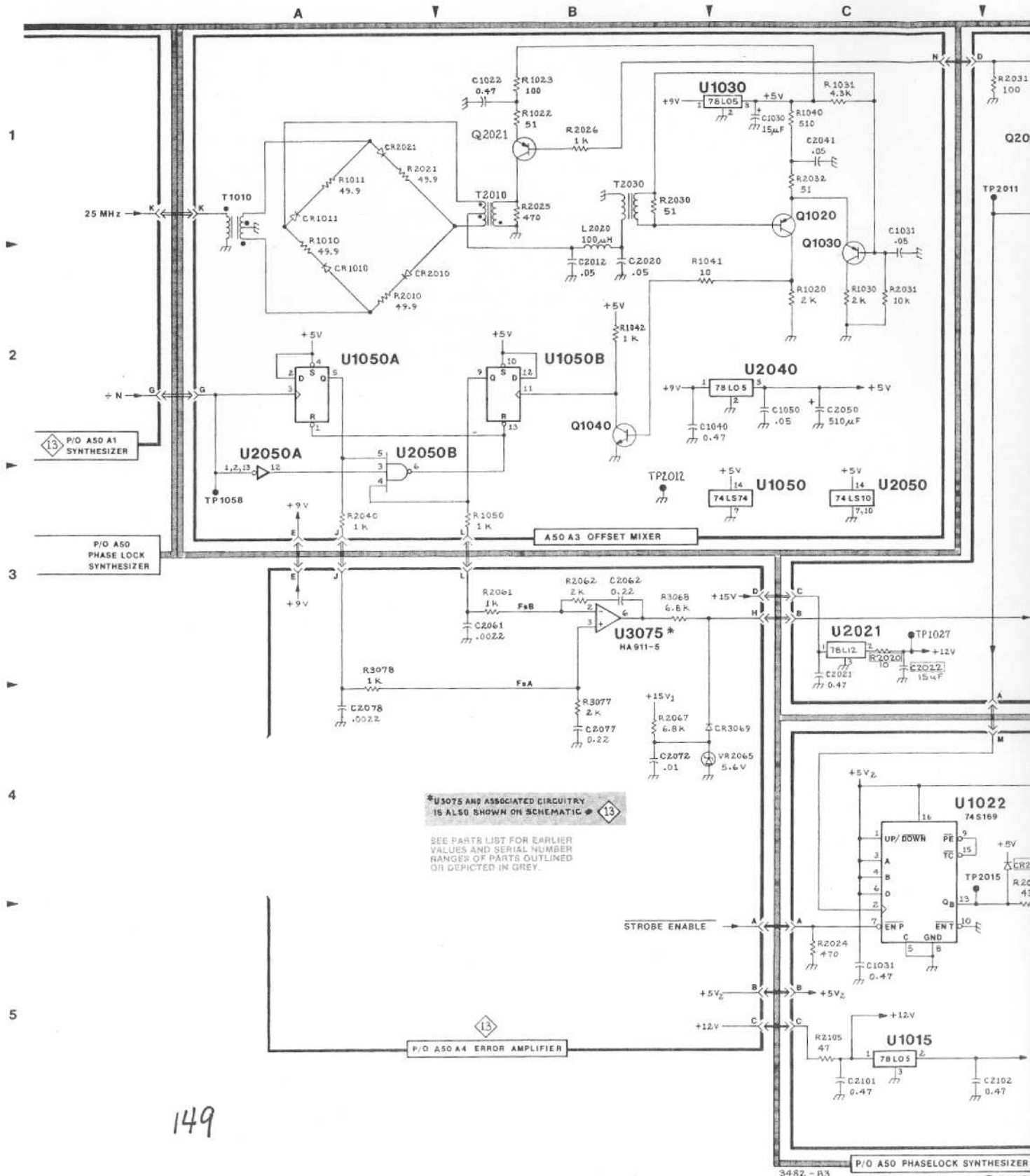
ASSEMBLY A50A5

| CIRCUIT NUMBER | SCHEM LOCATION | BOARD LOCATION | CIRCUIT NUMBER | SCHEM LOCATION | BOARD LOCATION | CIRCUIT NUMBER | SCHEM LOCATION | BOARD LOCATION | CIRCUIT NUMBER | SCHEM LOCATION | BOARD LOCATION |
|----------------|----------------|----------------|----------------|----------------|----------------|----------------|----------------|----------------|----------------|----------------|----------------|
| C1011 | E3 | B1 | C2041 | E2 | D2 | Q1028 | E3 | B1 | R2031 | D1 | B1 |
| C1012 | E3 | A2 | C2042 | D2 | D1 | Q2025 | D1 | B2 | R2032 | E1 | D2 |
| C1013 | E3 | A1 | C2043 | D2 | D2 | Q2026 | D1 | C2 | R2033 | D1 | B2 |
| C1024 | E2 | B1 | | | | Q2033 | E1 | C2 | R2034 | E1 | C2 |
| C1025 | D3 | B1 | CR1011 | E3 | A1 | Q2041 | E2 | D2 | R2038 | E1 | C2 |
| C1030 | D3 | C1 | CR1012 | E3 | A1 | | | | R2041 | E1 | C2 |
| C1031 | D2 | C1 | | | | R1024 | E3 | B1 | R2042 | E1 | D2 |
| C1038 | D2 | C1 | L1011 | D3 | A1 | R1026 | D2 | B1 | R2043 | E2 | D2 |
| C1041 | D1 | D1 | L1025 | E3 | B1 | R1030 | D2 | C2 | | | |
| C1042 | D1 | D1 | L1035 | D2 | C1 | R1031 | D3 | C1 | TP1027 | C3 | B1 |
| C1048 | D2 | D2 | L2034 | E1 | C2 | R1032 | D2 | C2 | TP2011 | D1 | A2 |
| C2011 | E3 | A1 | L2043 | E2 | D2 | R1033 | D3 | C1 | U2021 | C3 | B2 |
| C2021 | C3 | B1 | | | | R2020* | B2 | C4 | | | |
| C2022 | C3 | B2 | P1025 | E3 | B1 | R2021 | D1 | B2 | Y2012 | D3 | A2 |
| C2023 | D1 | B2 | P1033 | D2 | C1 | R2025 | D1 | B2 | | | |
| C2034 | E1 | C2 | | | | R2026 | D1 | B2 | | | |
| | | | | | | R2027 | D1 | B2 | | | |
| | | | | | | R2022 | D3 | A1 | | | |

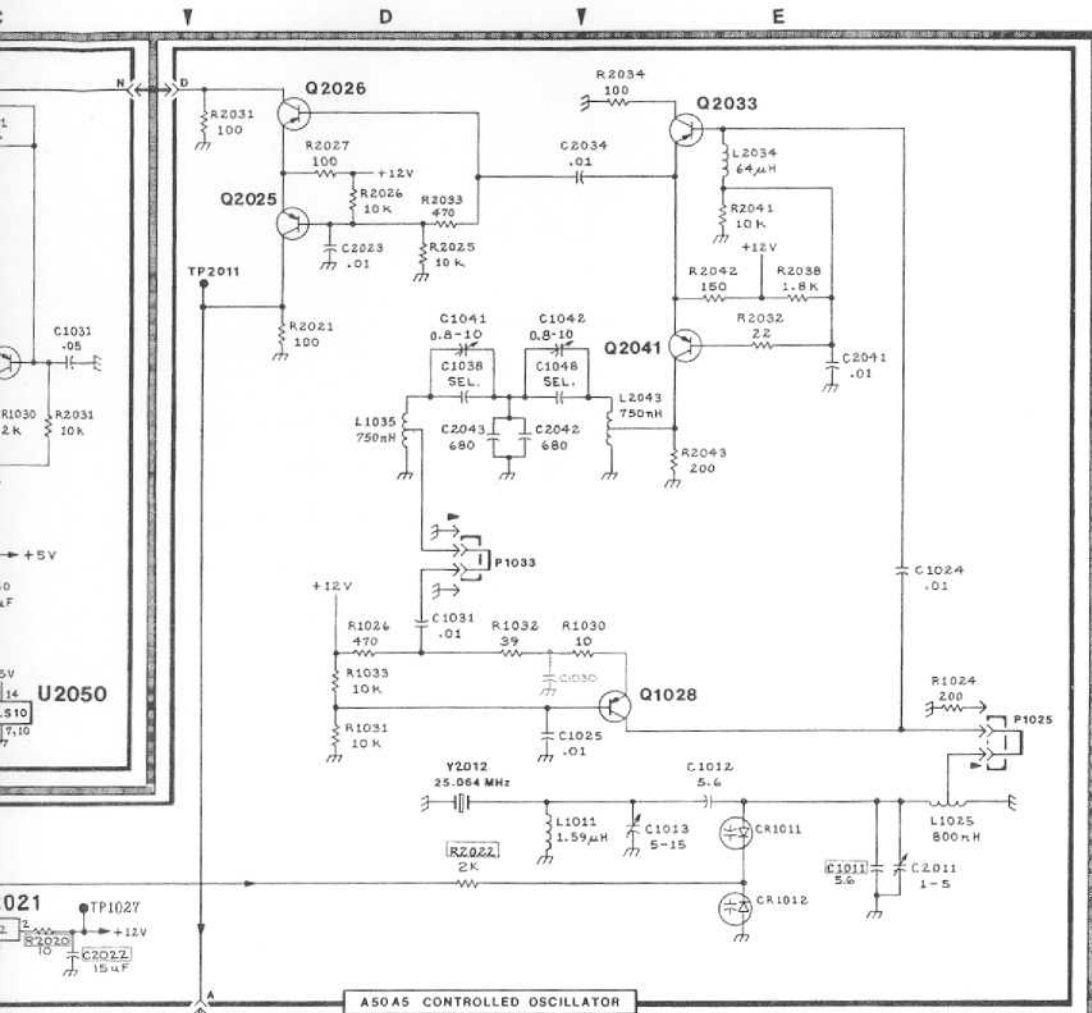
ASSEMBLY A50A2

| CIRCUIT NUMBER | SCHEM LOCATION | BOARD LOCATION | CIRCUIT NUMBER | SCHEM LOCATION | BOARD LOCATION | CIRCUIT NUMBER | SCHEM LOCATION | BOARD LOCATION | CIRCUIT NUMBER | SCHEM LOCATION | BOARD LOCATION |
|----------------|----------------|----------------|----------------|----------------|----------------|----------------|----------------|----------------|----------------|----------------|----------------|
| C1018 | D4 | A1 | C2101 | C5 | I2 | R1081* | E4 | H1 | U1015 | C5 | J1 |
| C1019 | E5 | J1 | C2102 | C5 | I2 | R1082* | E4 | H1 | U1022 | C4 | B1 |
| C1031 | C5 | B1 | C2103 | E4 | I2 | R2024 | C5 | B2 | U1091A | E5 | I1 |
| C1032 | D5 | C1 | C2105 | E5 | I2 | R2032 | D5 | C2 | U1091 | E5 | I1 |
| C1081* | E4 | G2 | | | | R2033 | D4 | C2 | U1091B* | E5 | I1 |
| C2011 | D4 | A2 | CR2024* | D4 | B2 | R2085* | E4 | H2 | | | |
| C2030 | D4 | C1 | CR2085* | E4 | H2 | R2086 | D5 | H2 | | | |
| C2033 | D5 | C2 | | | | R2091 | E5 | H2 | | | |
| C2092 | E5 | H2 | L1031 | D5 | C1 | R2102 | E5 | J2 | | | |
| | | | L2089 | D5 | H2 | R2103 | E4 | I2 | | | |
| | | | | | | R2104 | C5 | I2 | | | |
| | | | Q2091 | E4 | I2 | TP2015 | C4 | A2 | | | |
| | | | | | | TP2087 | E5 | H2 | | | |

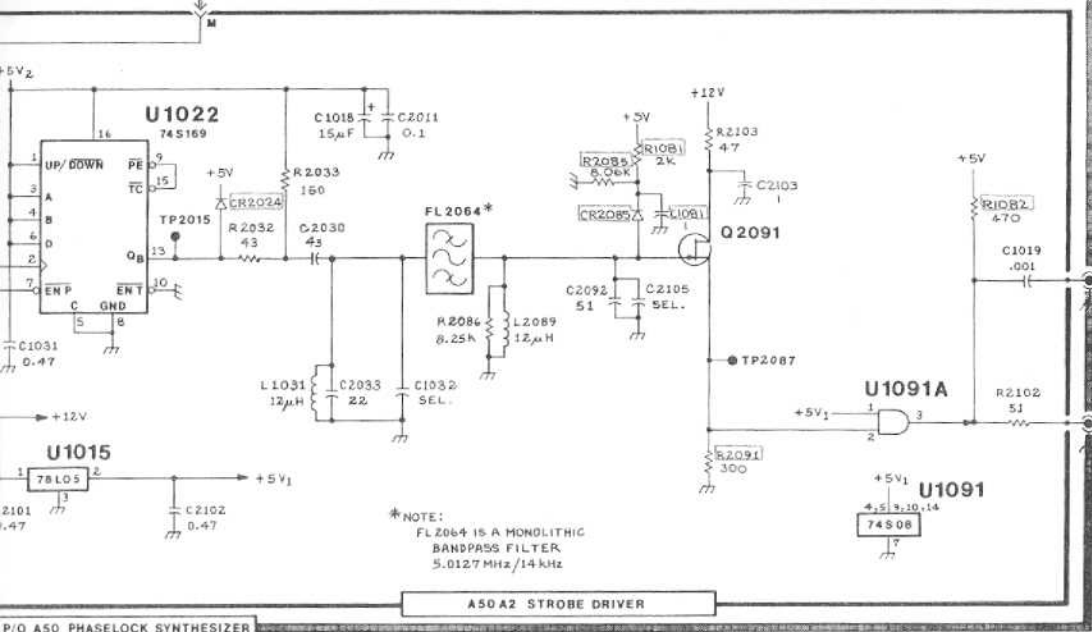
*See Parts List for serial number ranges.



149

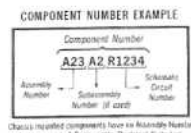


A50 A5 CONTROLLED OSCILLATOR



*NOTE:
FL2064 IS A MONOLITHIC
BANDPASS FILTER
5.0127 MHz/14 kHz

A50 A2 STROBE DRIVER



Check required components here to Assembly Number guide - see end of Replaceable Electrical Parts List

P/O A50 PHASELOCK SYNTHESIZER

Static Sensitive Devices
See Maintenance Section

CONTROLLED OSCILLATOR, OFFSET MIXER & STROBE DRIVER

14

OFFSET MIXER, & STROBE DRIVER

150

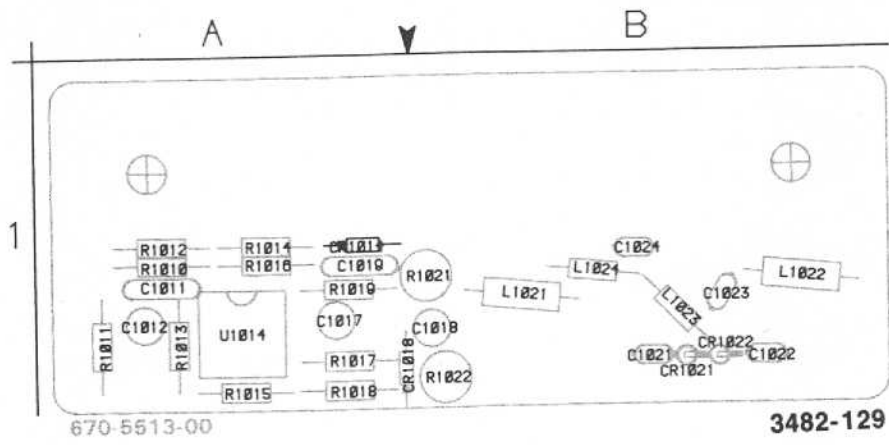
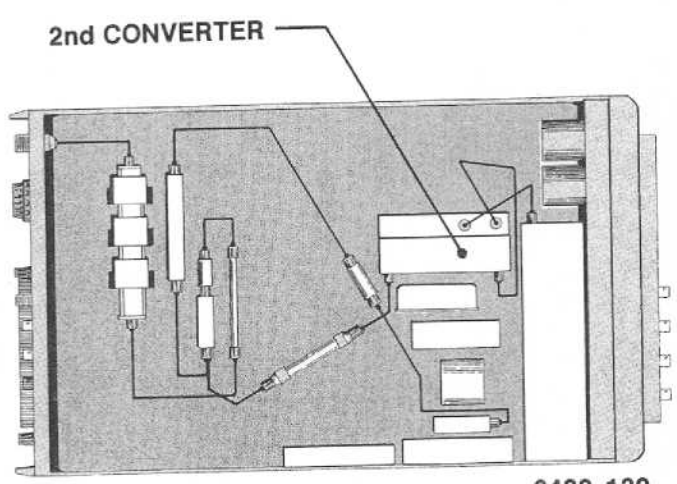


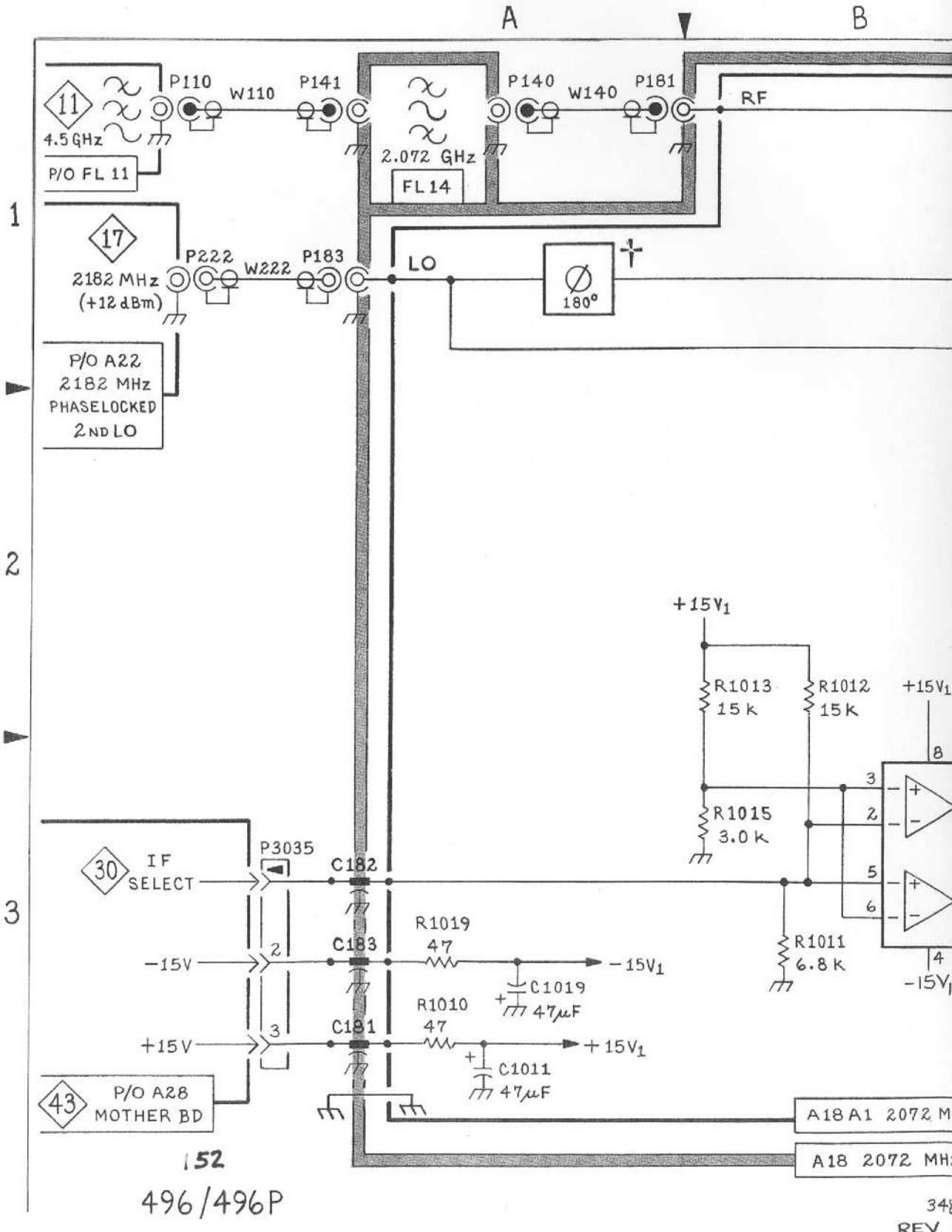
Fig. 8-9 A18A1 2nd CONVERTER Circuit Board

2nd Converter DIAGRAM 15

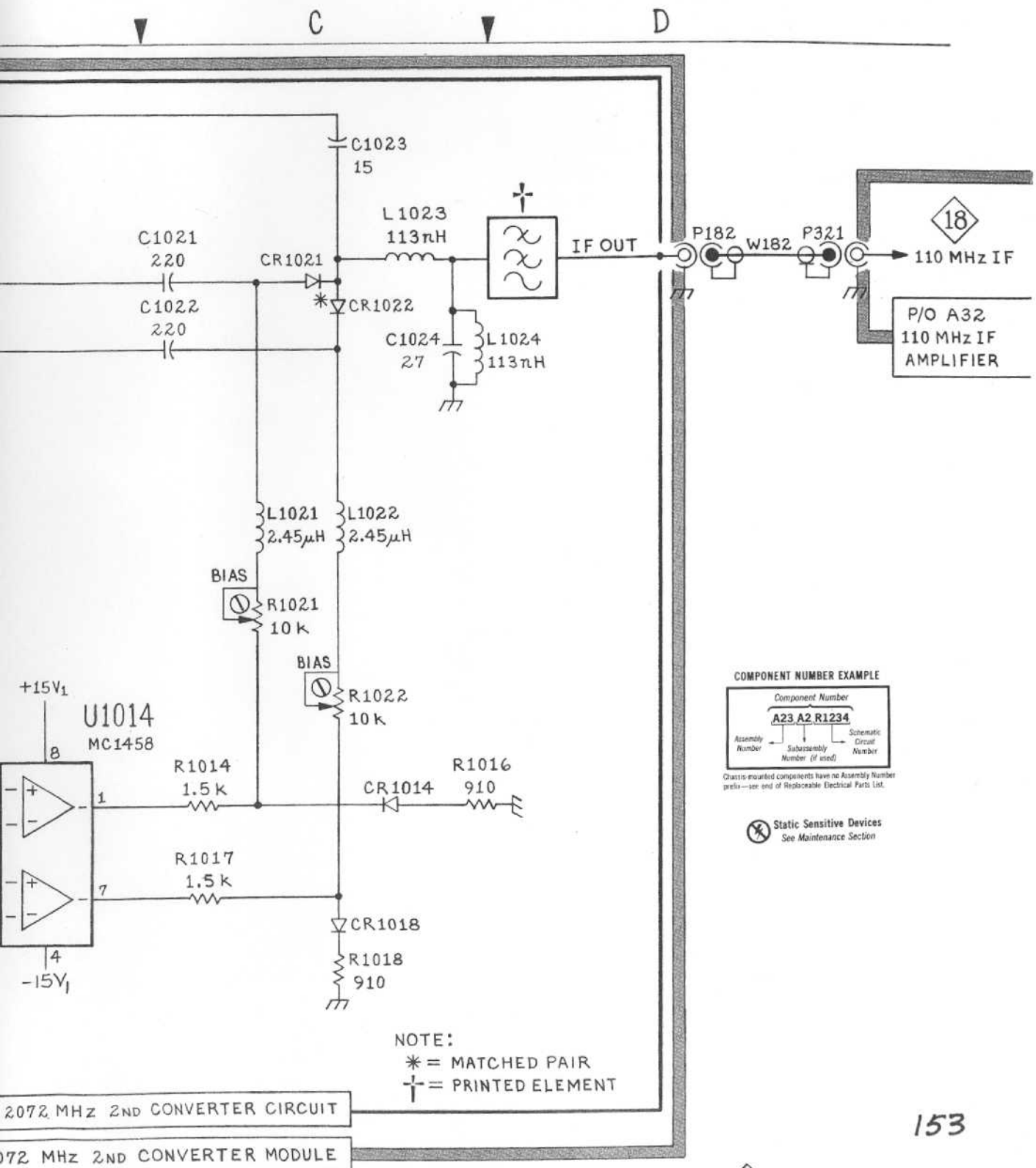
ASSEMBLY A18A1

| CIRCUIT NUMBER | SCHEM LOCATION | BOARD LOCATION | CIRCUIT NUMBER | SCHEM LOCATION | BOARD LOCATION | CIRCUIT NUMBER | SCHEM LOCATION | BOARD LOCATION |
|----------------|----------------|----------------|----------------|----------------|----------------|----------------|----------------|----------------|
| C1011 | A1 | A1 | L1021 | C2 | B1 | R1016 | C3 | A1 |
| C1019 | A1 | A1 | L1022 | C2 | B1 | R1017 | C3 | A1 |
| C1021 | C2 | B1 | L1023 | C2 | B1 | R1018 | C3 | A1 |
| C1022 | C2 | B1 | L1024 | C2 | B1 | R1019 | A1 | A1 |
| C1023 | C2 | B1 | | | | R1021 | C2 | B1 |
| C1024 | C2 | B1 | R1010 | A1 | A1 | R1022 | C2 | B1 |
| CR1014 | C3 | A1 | R1011 | B3 | A1 | U1014 | B3 | A1 |
| CR1018 | C3 | A1 | R1012 | B2 | A1 | | | |
| CR1021 | C2 | B1 | R1013 | B2 | A1 | | | |
| CR1022 | C2 | B1 | R1014 | C3 | A1 | | | |
| | | | R1015 | B3 | A1 | | | |

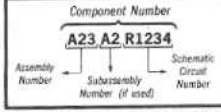




152
496/496P



COMPONENT NUMBER EXAMPLE



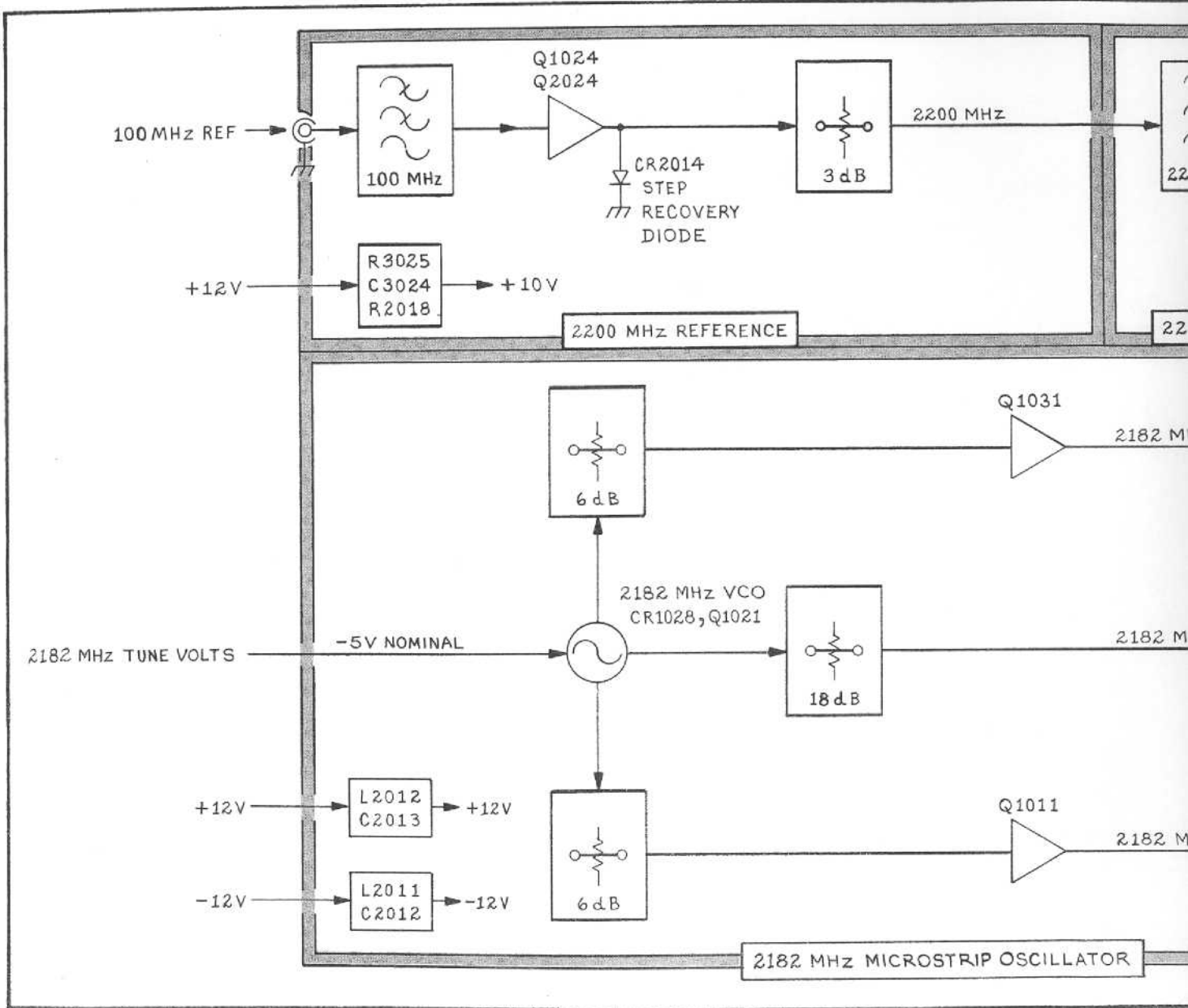
Chassis-mounted components have no Assembly Number prefix—see end of Replaceable Electrical Parts List.

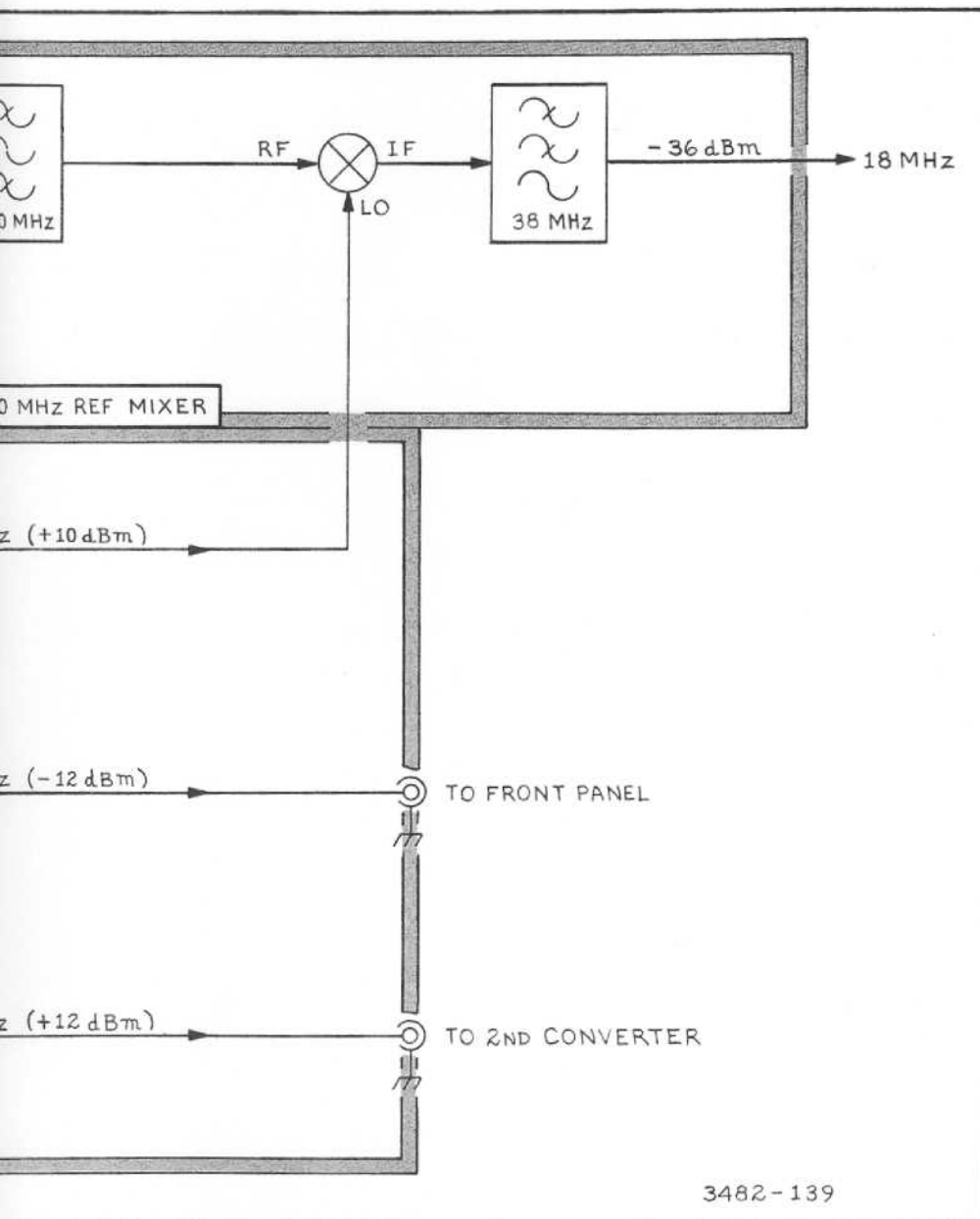
⊗ Static Sensitive Devices
See Maintenance Section

NOTE:
* = MATCHED PAIR
† = PRINTED ELEMENT

2ND CONVERTER 15 JAW

153

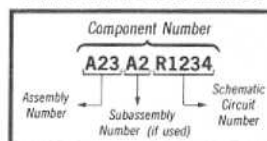




155

 Static Sensitive Devices
See Maintenance Section

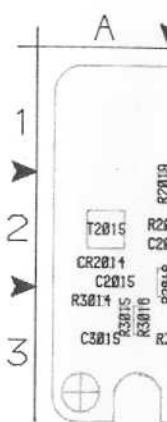
COMPONENT NUMBER EXAMPLE



Chassis-mounted components have no Assembly Number prefix—see end of Replaceable Electrical Parts List.

REV JUL 1982

Fig. 8



670-70

Fig. 8
2200 M
Cir

ASSEMBLY A22A2A1

| CIRCUIT NUMBER | SCHEM LOCATION | BOARD LOCATION | CIRCUIT NUMBER | SCHEM LOCATION | BOARD LOCATION | CIRCUIT NUMBER | SCHEM LOCATION | BOARD LOCATION |
|----------------|----------------|----------------|----------------|----------------|----------------|----------------|----------------|----------------|
| C1011 | E3 | A1 | L1014 | D4 | A1 | R1027 | C3 | B1 |
| C1013 | E4 | A1 | L2011 | A3 | A2 | R1028 | C3 | B1 |
| C1014 | D4 | A1 | L2013 | A3 | A2 | R1029 | C2 | B1 |
| C1021* | B5 | B1 | L2023 | B4 | B2 | R1032 | C3 | C1 |
| C1031 | C2 | C1 | L2025 | B2 | B2 | R1033 | E2 | C1 |
| C1033 | E2 | C1 | L2031 | A2 | C2 | R2013 | D4 | A2 |
| C2011 | E4 | A2 | L2032 | D3 | C2 | R2014 | B5 | A2 |
| C2012 | A3 | A2 | L2033 | E3 | C2 | R2015 | C5 | A2 |
| C2013 | A3 | A2 | | | | R2016 | C5 | A2 |
| C2014* | C5 | A2 | Q1011 | D4 | A1 | R2017 | B4 | A2 |
| C2021* | B5 | B2 | Q1021 | C5 | B1 | R2021 | B5 | B2 |
| C2023 | B4 | B2 | Q1031 | D2 | C1 | R2022 | B4 | B2 |
| C2024 | B4 | B2 | | | | R2023 | B4 | B2 |
| C2025 | B3 | B2 | R1011 | E3 | A1 | R2024 | B4 | B2 |
| C2031 | A3 | C2 | R1012 | E4 | A1 | R2025 | B2 | B2 |
| C2032 | D3 | C2 | R1013 | D4 | A1 | R2030 | C3 | C2 |
| C2033 | E3 | C2 | R1015 | C5 | A1 | R2031 | D3 | C2 |
| | | | R1021 | C4 | B1 | R2032 | D3 | C2 |
| CR1028 | C2 | B1 | R1022 | C4 | B1 | R2033 | D3 | C2 |
| CR2013 | D4 | A2 | R1023 | C3 | B1 | | | |
| CR2021 | B4 | B2 | R1024 | C3 | B1 | TP1015 | C5 | A1 |
| CR2031 | D3 | C2 | R1025 | C3 | B1 | | | |
| | | | R1026 | C3 | B1 | | | |
| L1011 | E4 | A1 | | | | | | |

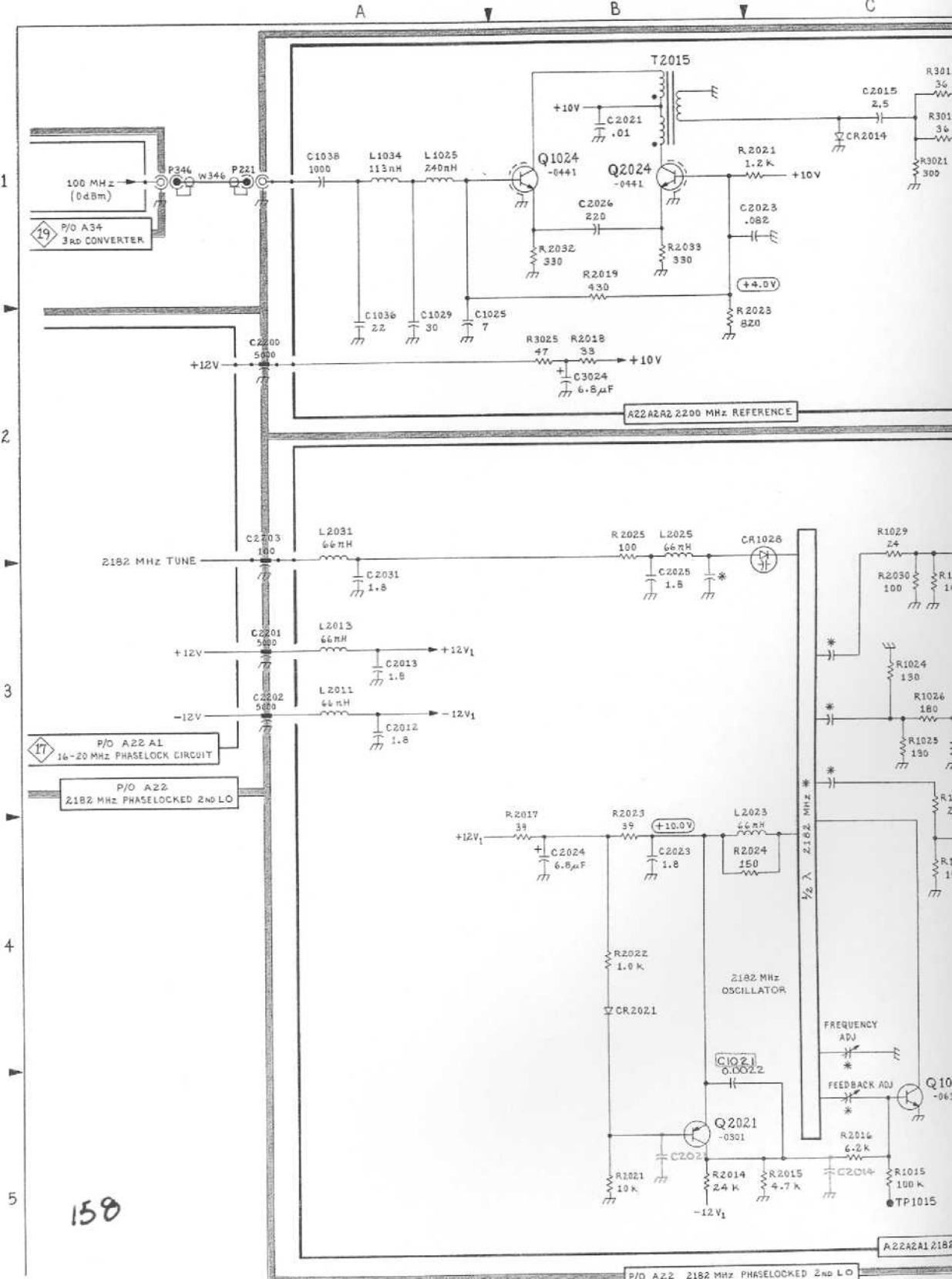
ASSEMBLY A22A2A2

| CIRCUIT NUMBER | SCHEM LOCATION | BOARD LOCATION | CIRCUIT NUMBER | SCHEM LOCATION | BOARD LOCATION | CIRCUIT NUMBER | SCHEM LOCATION | BOARD LOCATION |
|----------------|----------------|----------------|----------------|----------------|----------------|----------------|----------------|----------------|
| C1025 | A2 | B1 | CR2014 | C1 | A2 | R2023 | B2 | B2 |
| C1029 | A2 | B1 | | | | R2032 | B1 | B2 |
| C1036 | A2 | C1 | L1025 | A1 | B1 | R2033 | B1 | B2 |
| C1038 | A1 | C1 | L1034 | A1 | C1 | R3014 | C1 | A3 |
| C2015 | C1 | A2 | | | | R3015 | C1 | A3 |
| C2021 | B1 | A2 | Q1024 | B1 | B2 | R3016 | C1 | A3 |
| C2023 | C1 | B2 | Q2024 | B1 | B2 | R3021 | C1 | A3 |
| C2026 | B1 | B2 | | | | R3025 | B2 | B2 |
| C3015 | C1 | A3 | R2018 | B2 | A2 | | | |
| C3024 | B2 | B2 | R2019 | B1 | A2 | T2015 | B1 | A2 |
| | | | R2021 | C1 | A2 | | | |

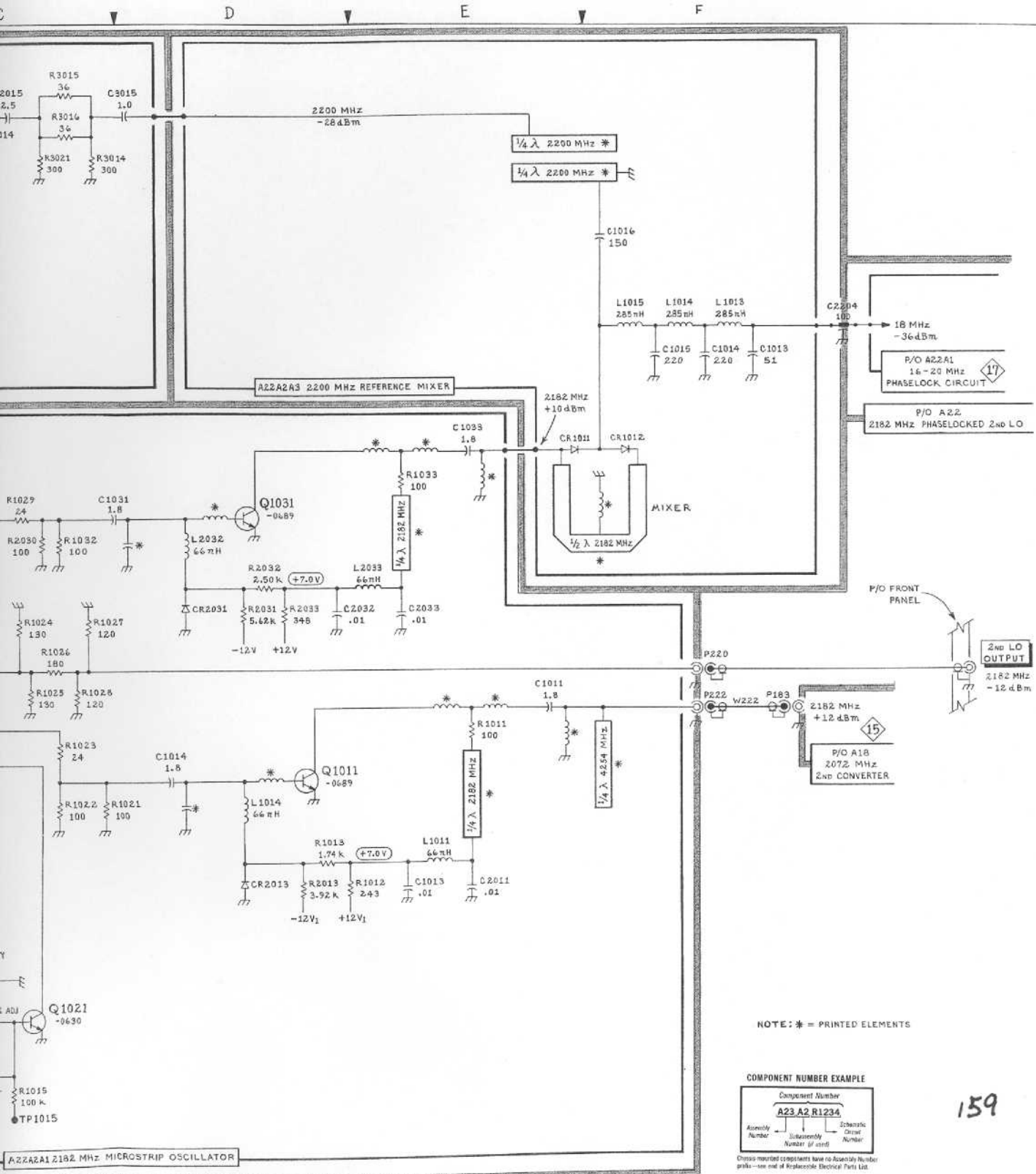
ASSEMBLY A22A2A3

| CIRCUIT NUMBER | SCHEM LOCATION | BOARD LOCATION | CIRCUIT NUMBER | SCHEM LOCATION | BOARD LOCATION | CIRCUIT NUMBER | SCHEM LOCATION | BOARD LOCATION |
|----------------|----------------|----------------|----------------|----------------|----------------|----------------|----------------|----------------|
| C1013 | F2 | A1 | CR1011 | F2 | A1 | L1014 | F2 | A1 |
| C1014 | F2 | A1 | CR1012 | F2 | A1 | L1015 | F2 | A1 |
| C1015 | F2 | A1 | | | | | | |
| C1016 | F1 | A1 | L1013 | F2 | A1 | | | |

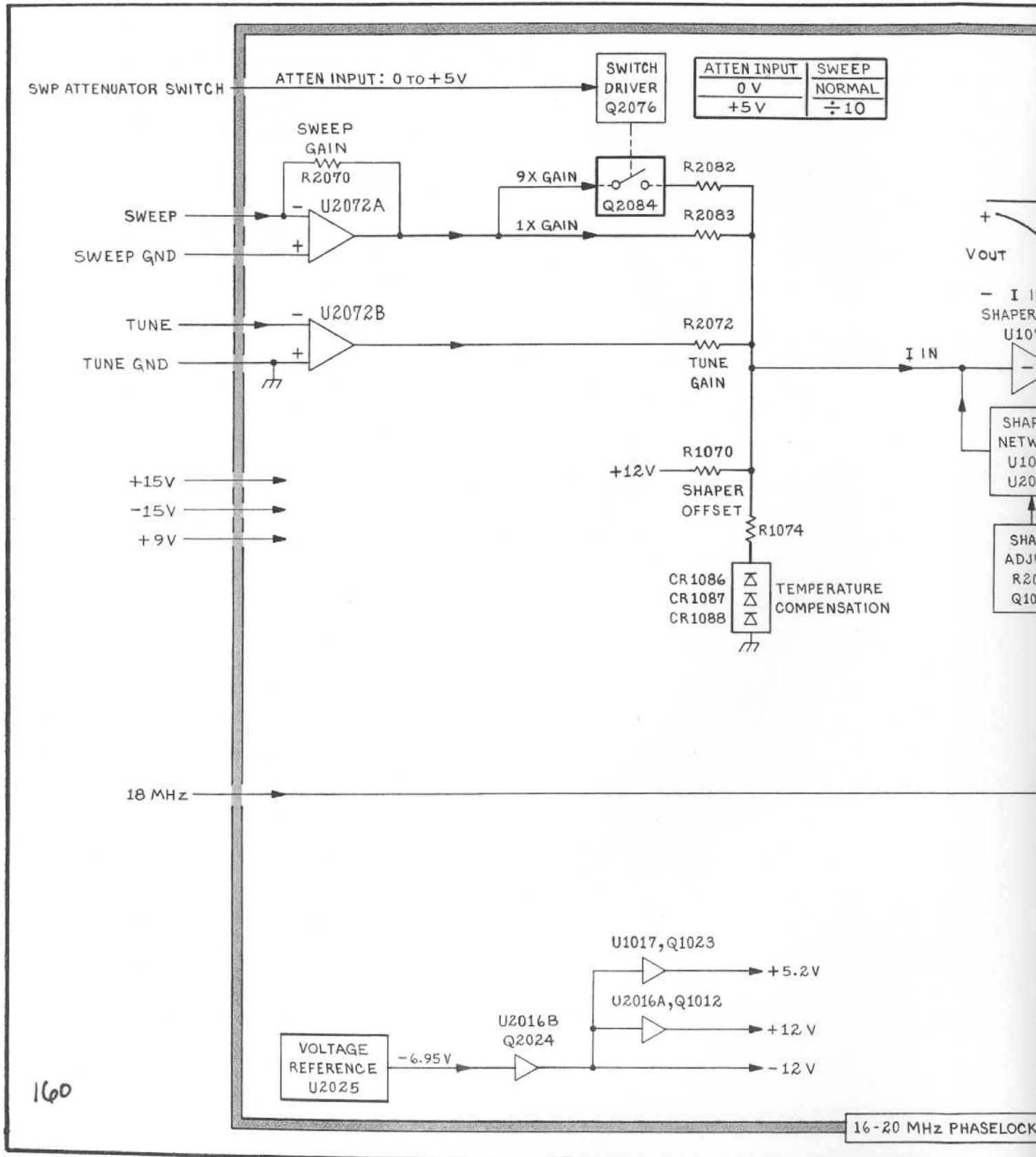
*See Parts List for serial number ranges.



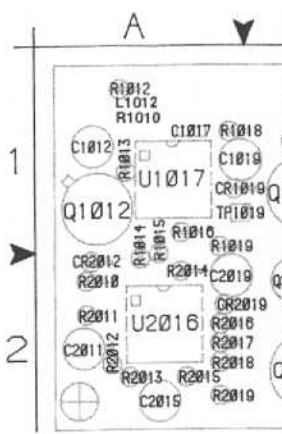
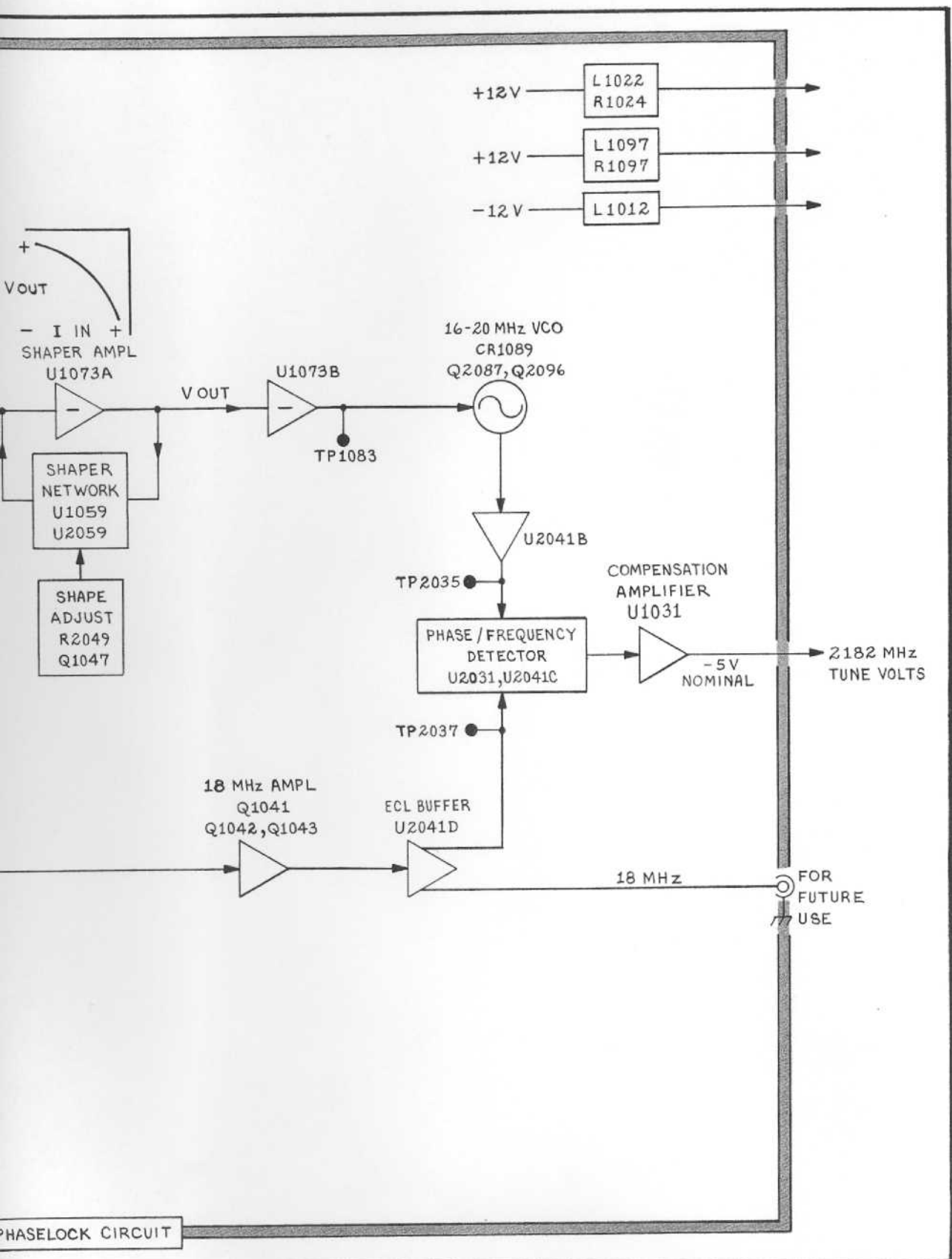
158



159



160



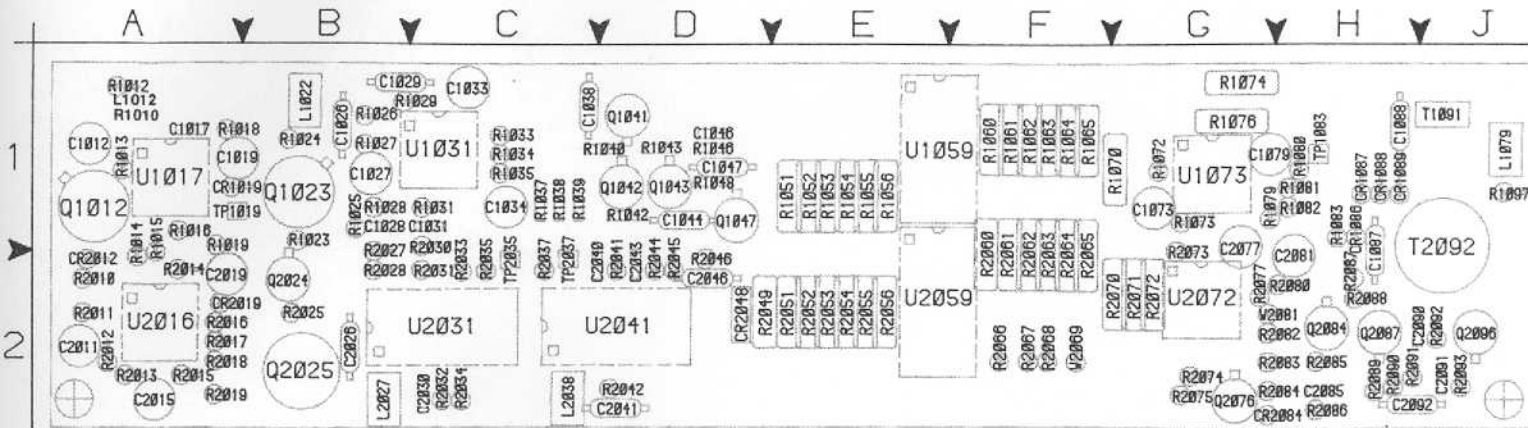
670-7077-00

161

PHASELOCK CIRCUIT

3482-138

REV JUL 1982



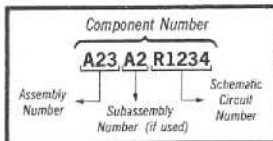
670-7077-00

Fig. 8-10 A22A1 16—20 MHz PHASELOCK Circuit Board

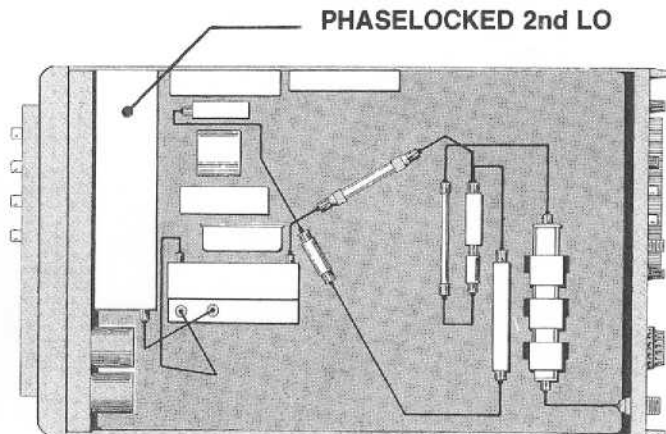
3482-131

 Static Sensitive Devices
See Maintenance Section

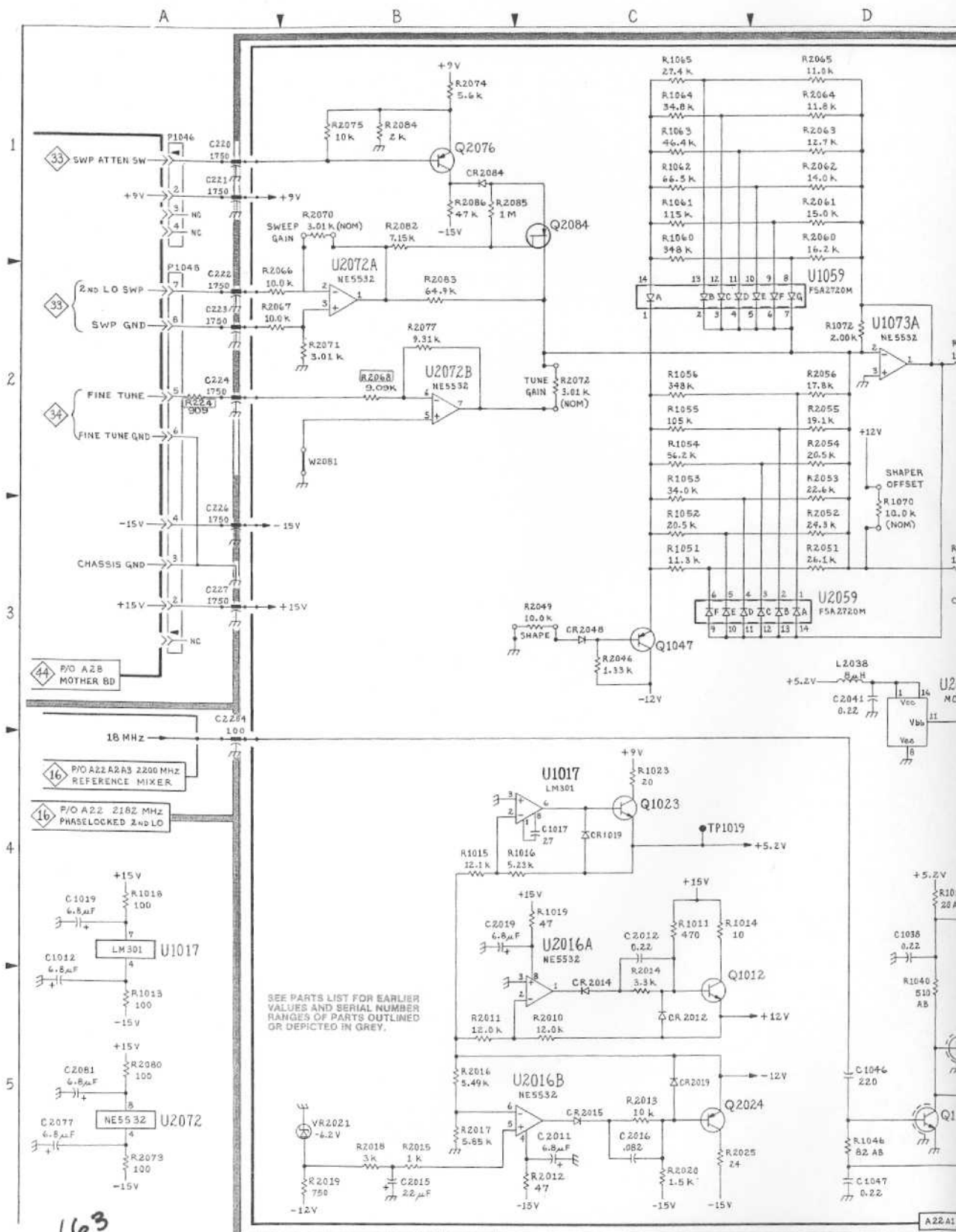
COMPONENT NUMBER EXAMPLE



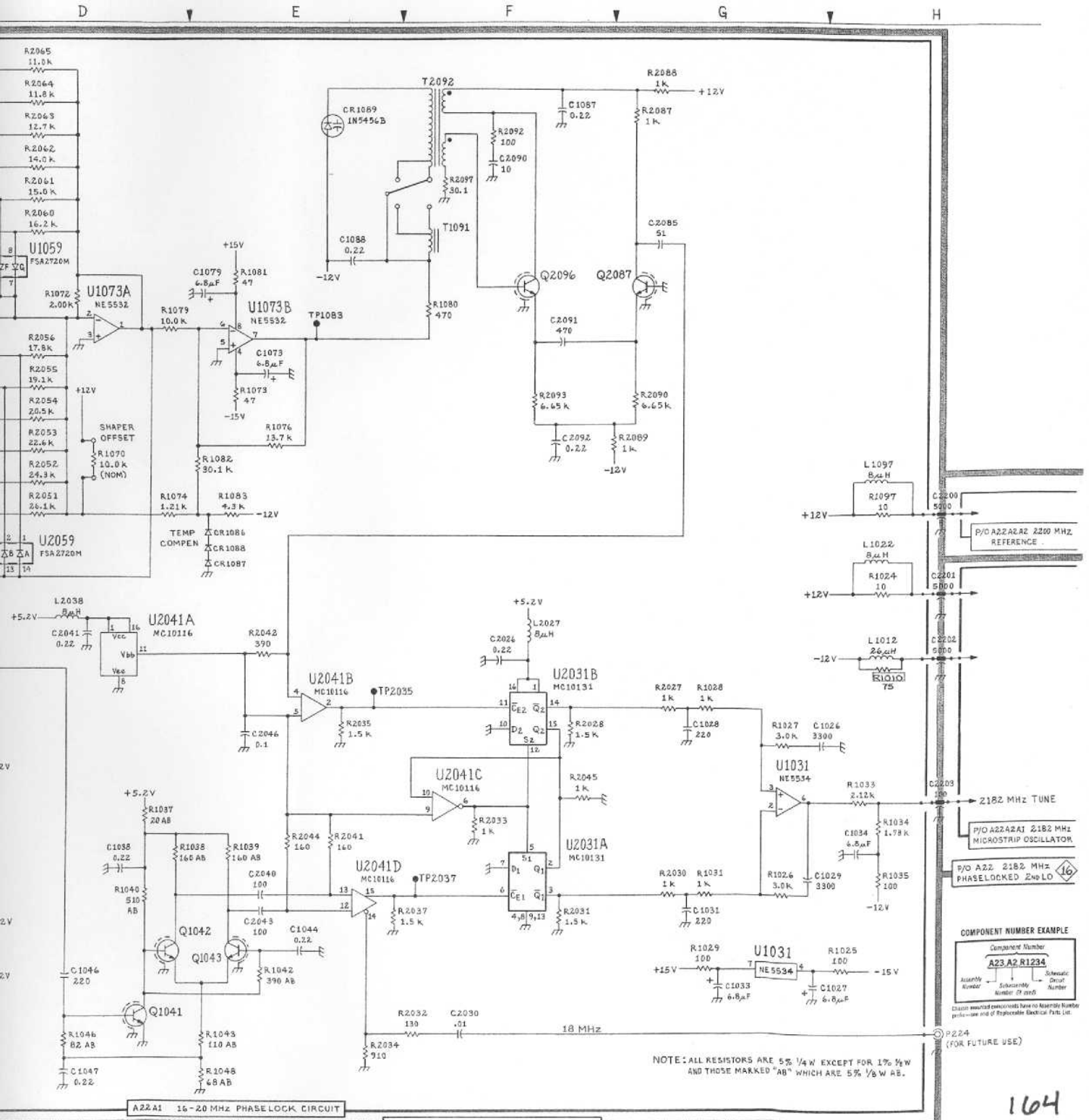
Chassis-mounted components have no Assembly Number prefix—see end of Replaceable Electrical Parts List.



162



163



A22A1 16-20 MHz PHASELOCK CIRCUIT

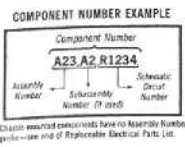
P/O A22 2182 MHz PHASELOCKED 2ND LO

PHASELOCKED 2ND LO (PHASELOCK SECTION)

REV JUL 1982

3482-86

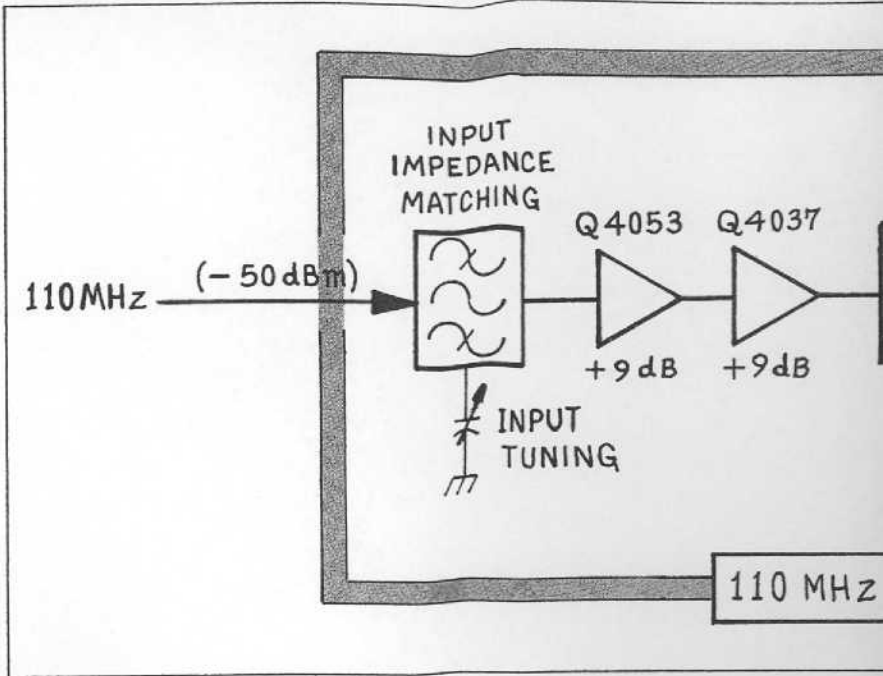
17 JAW



164

P224 (FOR FUTURE USE)

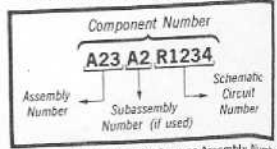
NOTE: ALL RESISTORS ARE 5% 1/4 W EXCEPT FOR 1% 1/4 W AND THOSE MARKED "AB" WHICH ARE 5% 1/8 W AB.



165

 Static Sensitive Devices
See Maintenance Section

COMPONENT NUMBER EXAMPLE



Chassis-mounted components have no Assembly Number prefix—see end of Replaceable Electrical Parts List.

110 MHz IF AMPLI

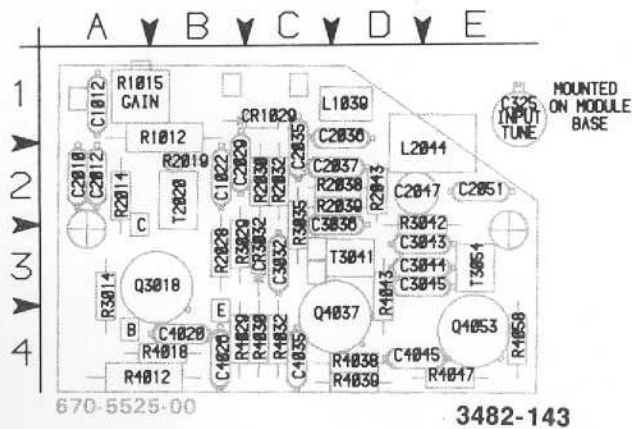
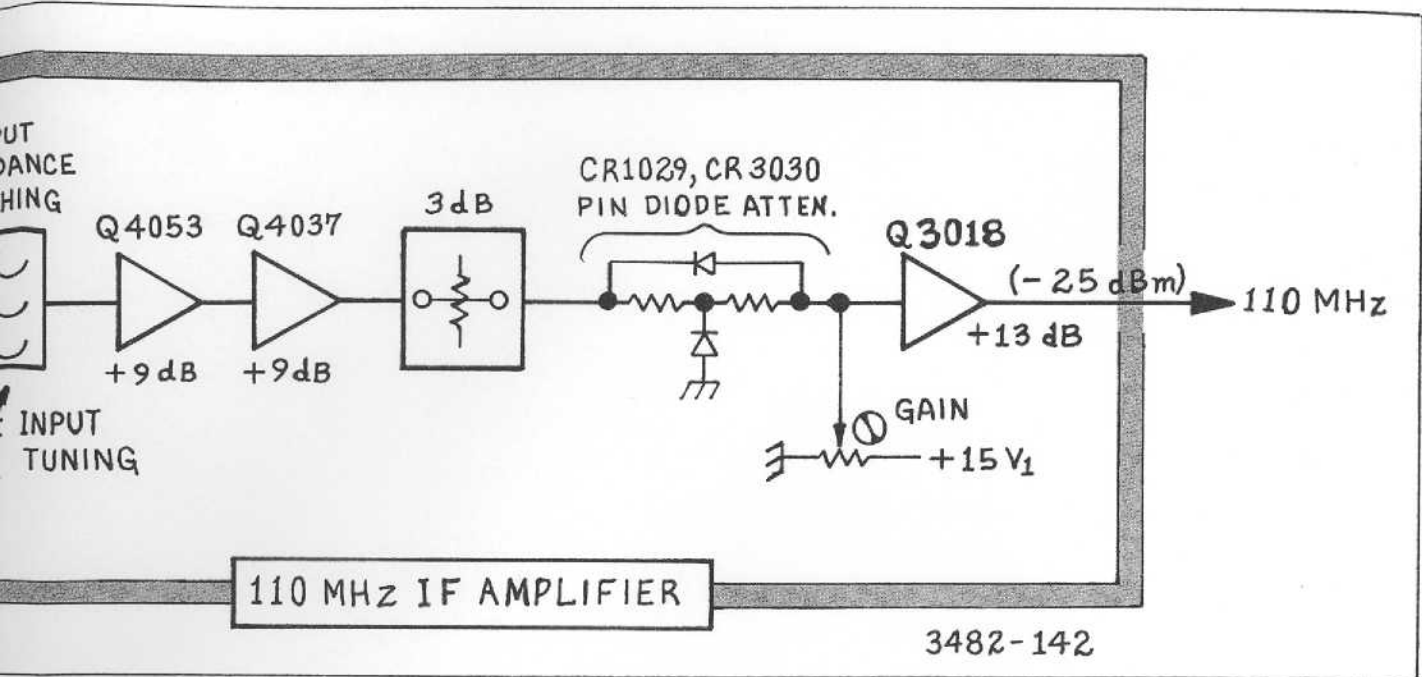
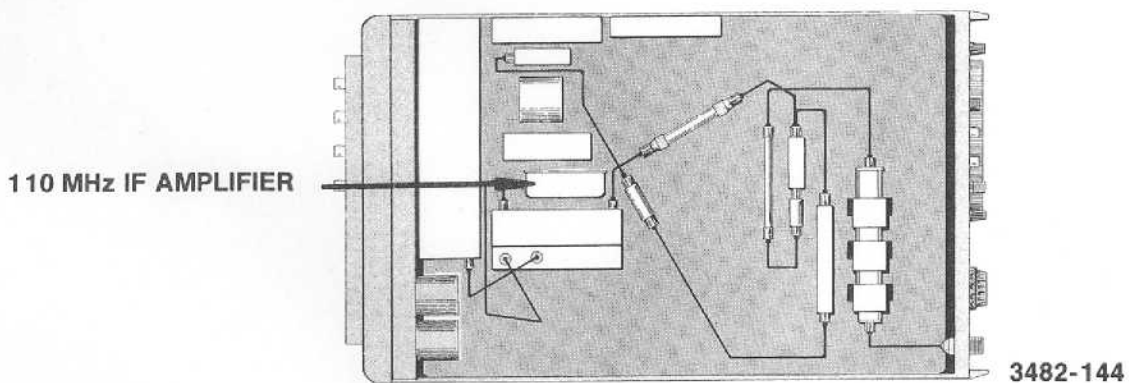


Fig. 8-14 A32A1 110 MHz IF AMPLIFIER
Circuit Board



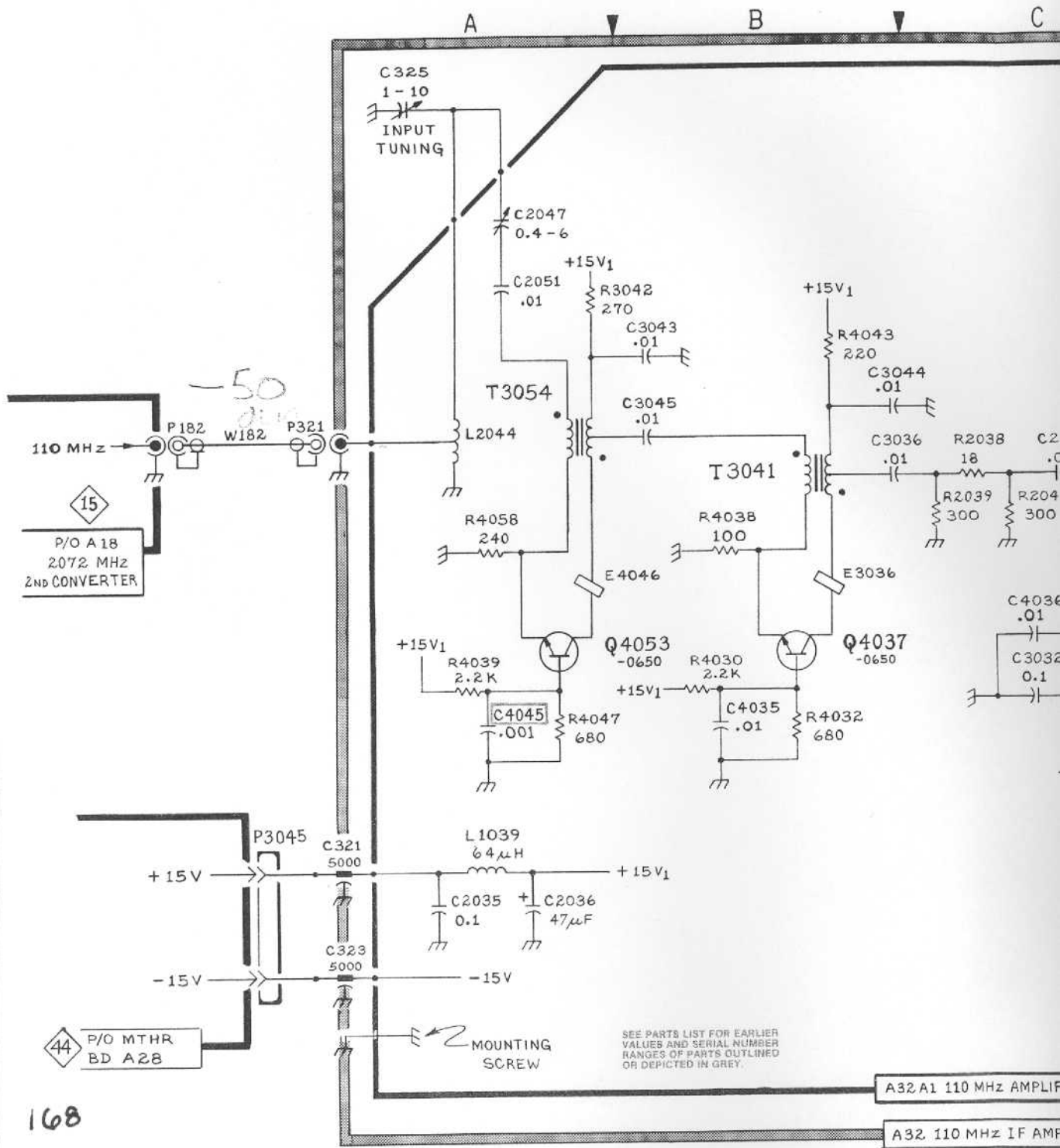
110 MHz IF DIAGRAM 18

ASSEMBLY A32A1

110 MHz IF Amplifier

| CIRCUIT NUMBER | SCHEM LOCATION | BOARD LOCATION | CIRCUIT NUMBER | SCHEM LOCATION | BOARD LOCATION | CIRCUIT NUMBER | SCHEM LOCATION | BOARD LOCATION |
|----------------|----------------|----------------|----------------|----------------|----------------|----------------|----------------|----------------|
| C325 | A1 | E1 | CR1029 | D2 | C1 | R2039 | C2 | C2 |
| C1012 | E1 | A1 | CR3032 | D2 | C3 | R2043 | C2 | D2 |
| C1022 | D3 | B2 | | | | R3014 | D2 | A3 |
| C2010 | E2 | A2 | E3036 | B2 | NA | R3029 | D2 | B3 |
| C2012 | E1 | A2 | E4046 | A2 | NA | R3035 | C2 | C2 |
| C2029 | D2 | B2 | | | | R3042 | A1 | D2 |
| C2035 | A4 | C2 | L1039 | A3 | D1 | R4012 | E3 | A4 |
| C2036 | A4 | D1 | L2044 | A2 | D2 | R4018 | D2 | B4 |
| C2037 | C2 | C2 | | | | R4029 | E2 | B4 |
| C2047 | A1 | D2 | Q3018 | E2 | A3 | R4030 | B3 | B4 |
| C2051 | A1 | E2 | Q4037 | B3 | C4 | R4032 | B3 | C4 |
| C3032 | C3 | C3 | Q4053 | A3 | E4 | R4038 | B2 | D4 |
| C3036 | B2 | C2 | | | | R4039 | A3 | D4 |
| C3043 | B2 | D3 | R1012 | E1 | B1 | R4043 | B2 | D3 |
| C3044 | B2 | D3 | R1015 | D3 | A1 | R4047 | A3 | E4 |
| C3045 | B2 | D3 | R2014 | E2 | A2 | R4058 | A2 | E4 |
| C4020 | D2 | B4 | R2019 | D3 | B2 | | | |
| C4026 | D3 | B4 | R2028 | D2 | B3 | T2020 | E1 | B2 |
| C4035 | B3 | C4 | R2030 | C3 | C2 | T3041 | B2 | D3 |
| C4036 | C3 | C4 | R2032 | C2 | C2 | T3054 | A2 | E3 |
| C4045 | A3 | D4 | R2038 | C2 | C2 | | | |

167



496/496 P

REV JAN 82

SEE PARTS LIST FOR EARLIER VALUES AND SERIAL NUMBER RANGES OF PARTS OUTLINED OR DEPICTED IN GREY.

A32 A1 110 MHz AMPLIF

A32. 110 MHz IF AMP

168

15
P/O A18
2072 MHZ
2ND CONVERTER

44
P/O MTHR
BD A28

C325
1-10
INPUT
TUNING

T3054

T3041

Q4053
-0650

Q4037
-0650

L1039
64μH

C2035
0.1

C2036
47μF

MOUNTING
SCREW

+15V

-15V

+15V1

-15V

110 MHZ

50

1

2

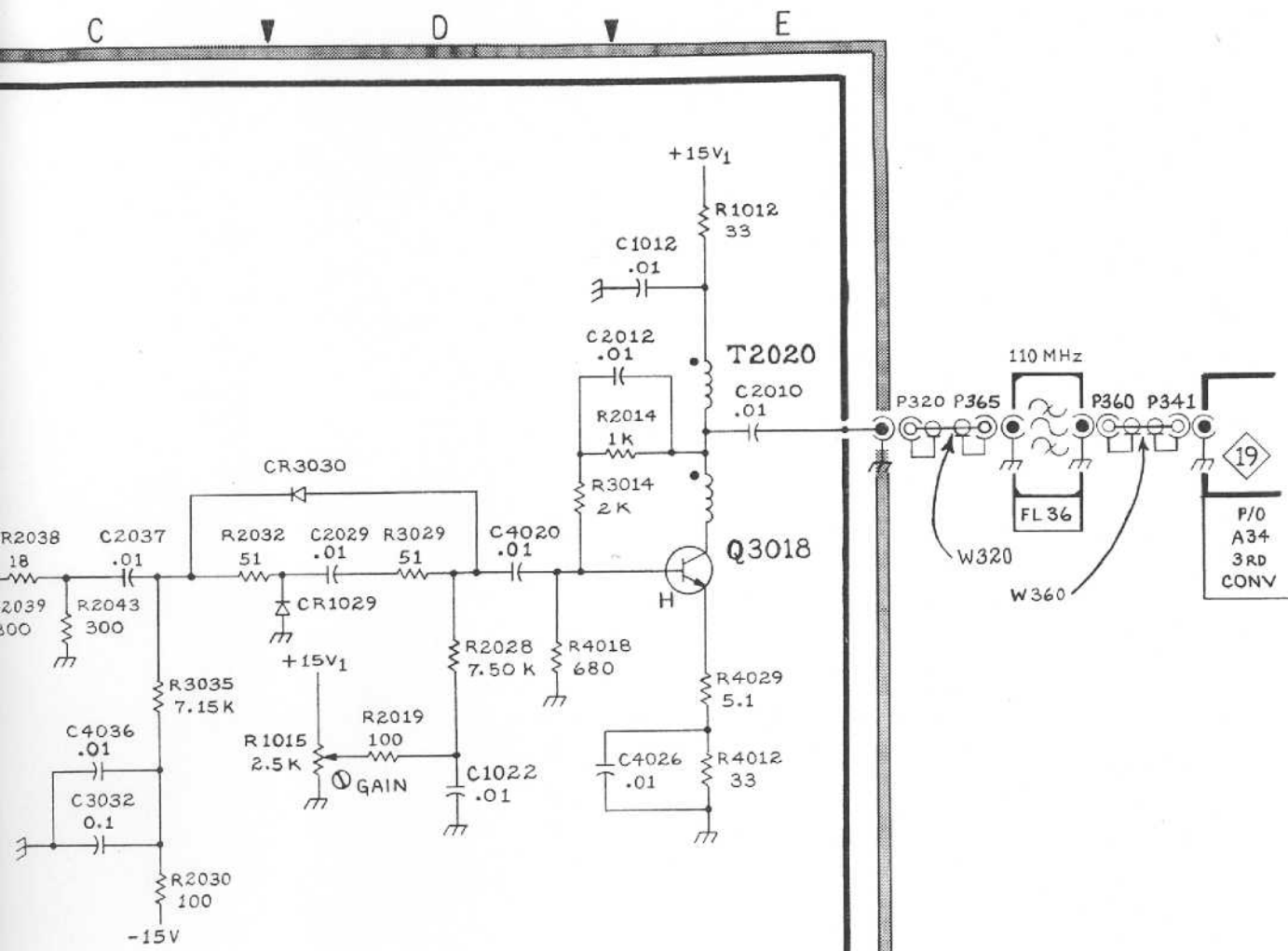
3

4

A

B

C



10 MHz AMPLIFIER BD
 0 MHz IF AMPLIFIER
 3482-87

COMPONENT NUMBER EXAMPLE

| | | |
|------------------|------------------------------|--------------------------|
| Component Number | | |
| A23 | A2 | R1234 |
| Assembly Number | Subassembly Number (if used) | Substrate Circuit Number |

Class-mounted components have no Assembly Number prefix and of Replaceable Electrical Parts List.

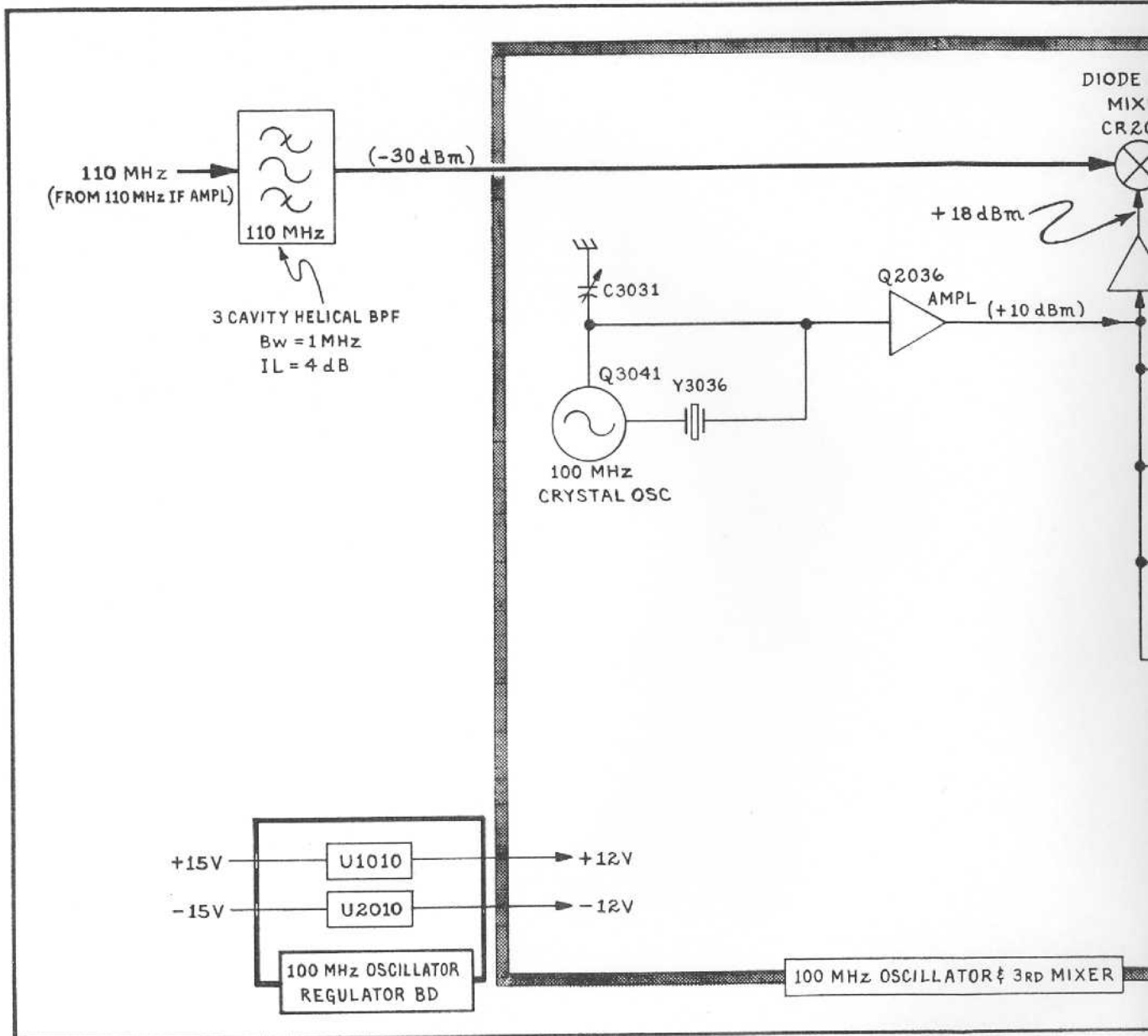
⊗ Static Sensitive Devices
 See Maintenance Section

169

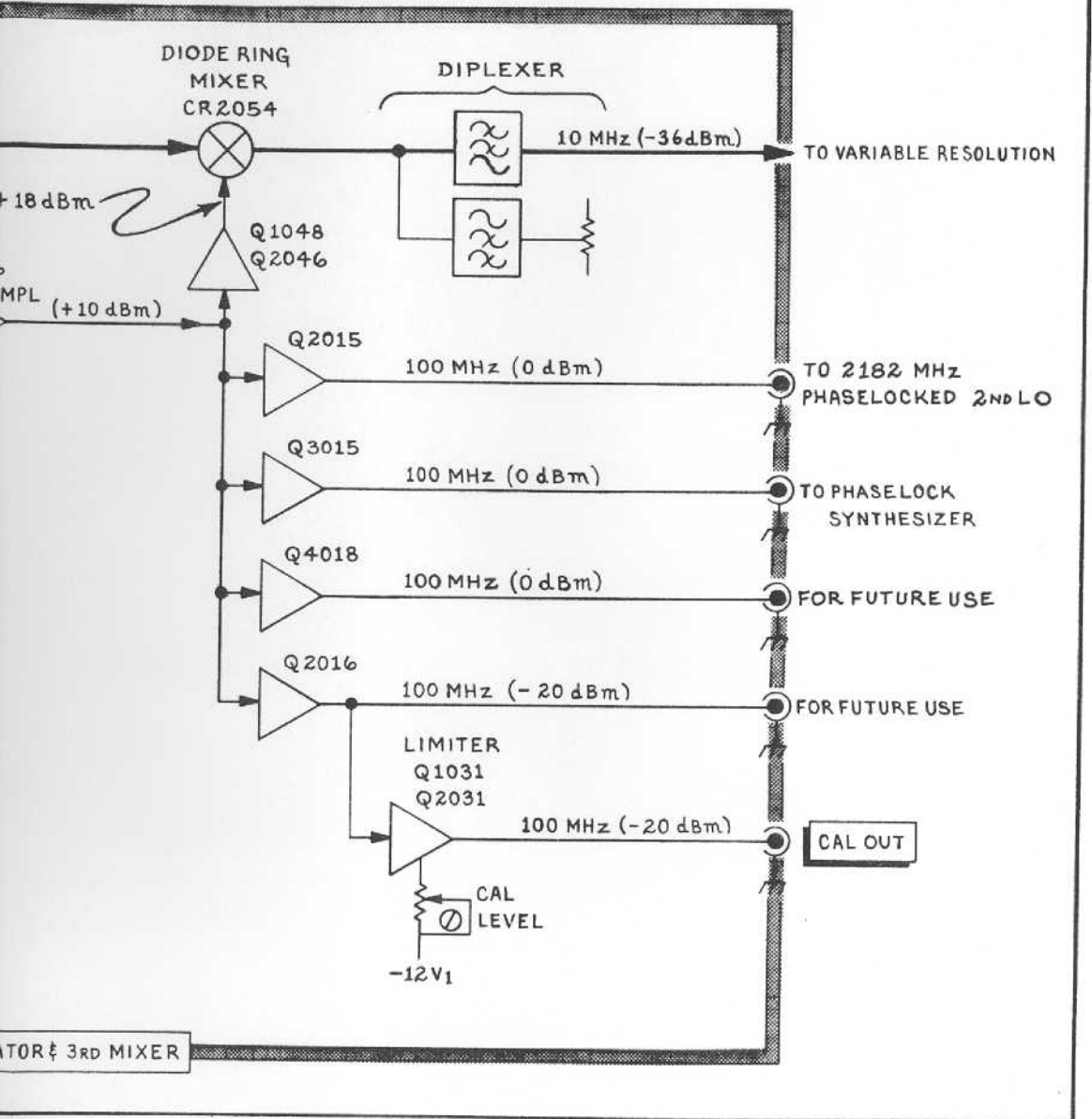
110 MHz IF 18

REV JAN 82

110 MHz IF AMPLIFIER 18



3482-145



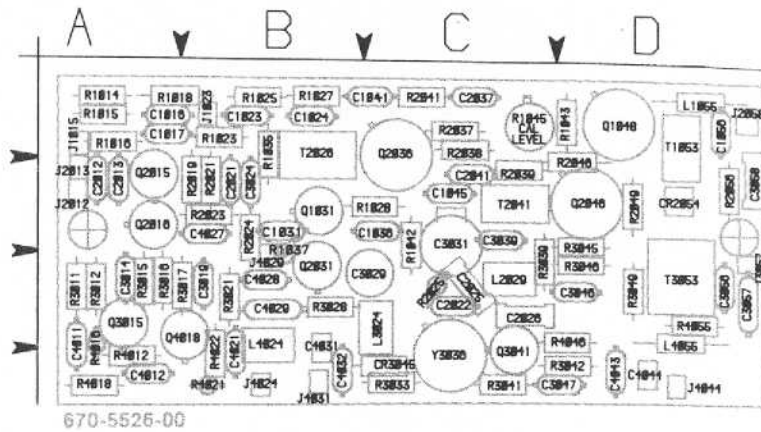
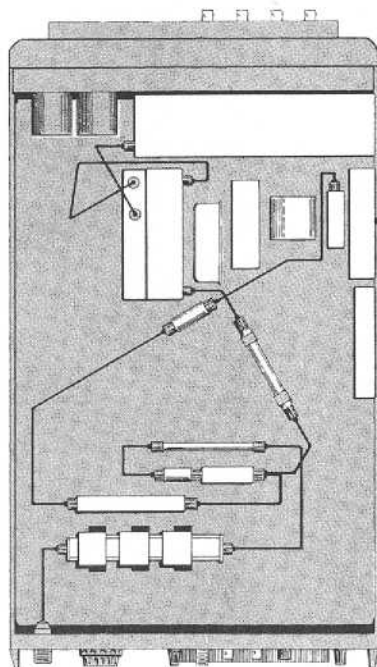


Fig. 8-15 A34A1 100 MHz OSC. & 3rd MIXER Circuit Board

3482-146

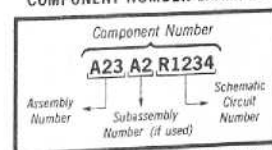


100 MHz OSC & 3rd MIXER
(3rd CONVERTER)

3482-147

Static Sensitive Devices
See Maintenance Section

COMPONENT NUMBER EXAMPLE

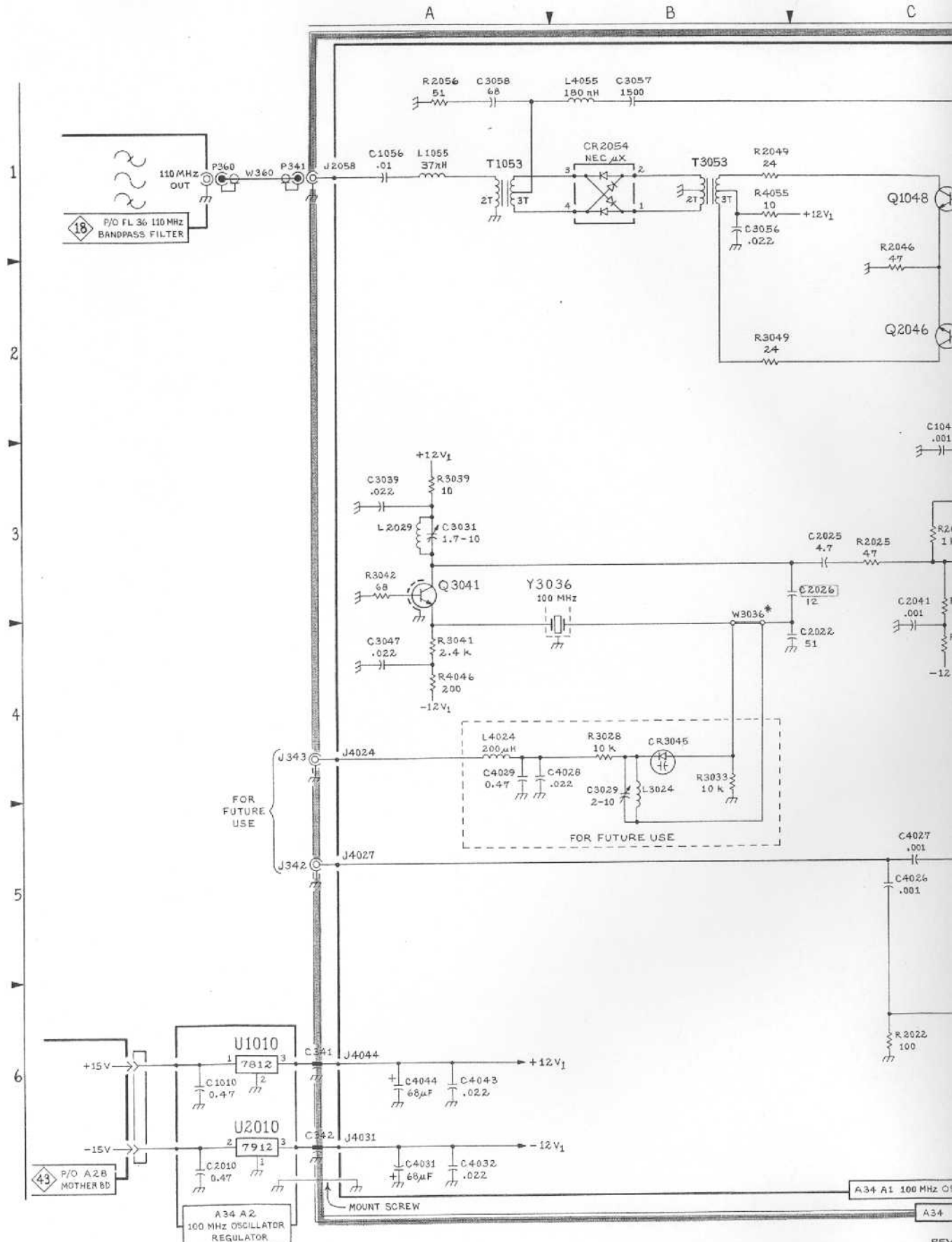


Chassis-mounted components have no Assembly Number prefix—see end of Replaceable Electrical Parts List.

3rd Converter DIAGRAM 19

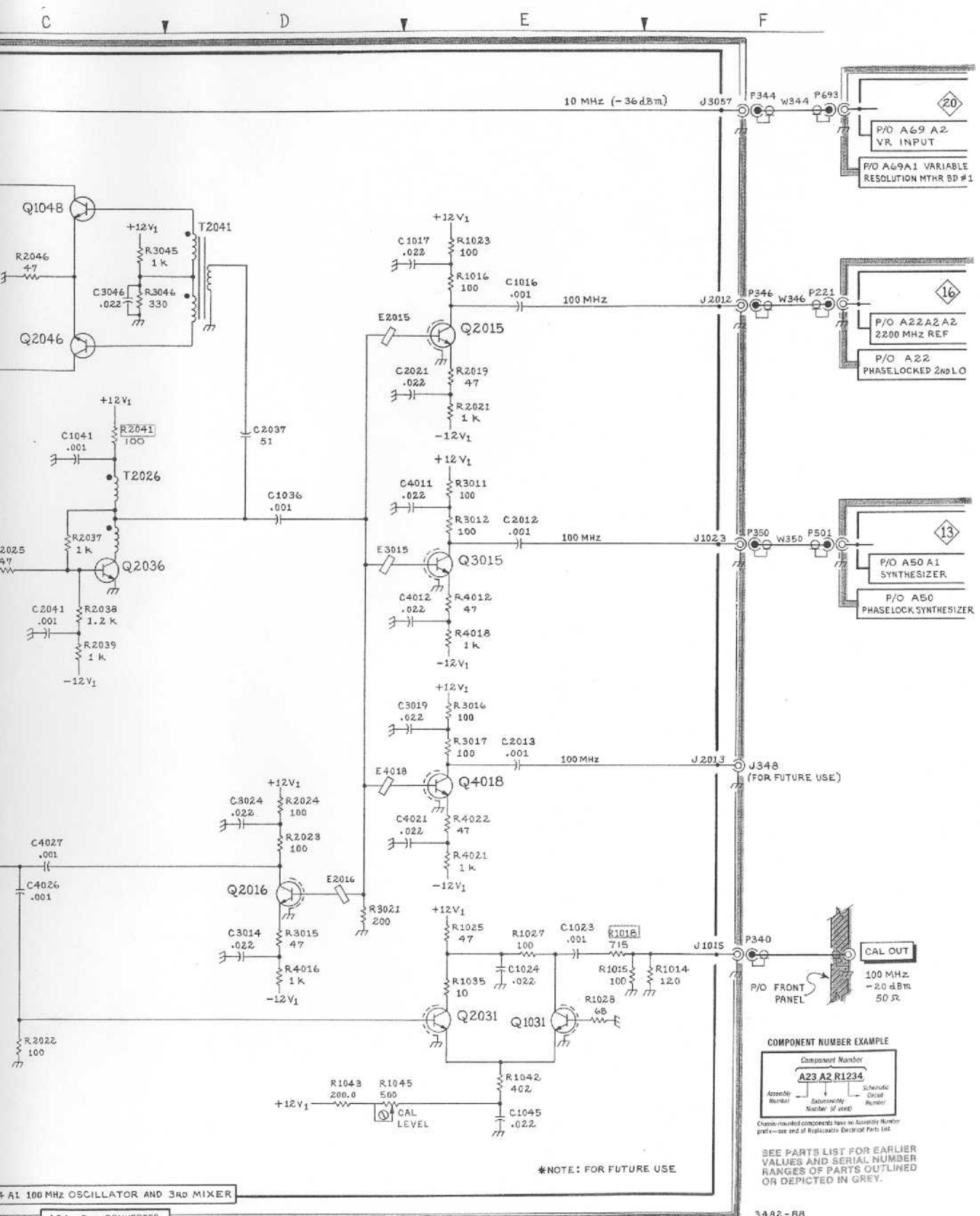
ASSEMBLY A34A1

| CIRCUIT NUMBER | SCHEM LOCATION | BOARD LOCATION | CIRCUIT NUMBER | SCHEM LOCATION | BOARD LOCATION | CIRCUIT NUMBER | SCHEM LOCATION | BOARD LOCATION |
|----------------|----------------|----------------|----------------|----------------|----------------|----------------|----------------|----------------|
| C1016 | E2 | A1 | E2016 | D5 | A2 | R1045 | D6 | D1 |
| C1017 | E1 | A1 | E3015 | D3 | A3 | R2019 | E2 | A2 |
| C1023 | E5 | B1 | E4018 | D4 | A4 | R2021 | E2 | B2 |
| C1024 | E5 | B1 | | | | R2022 | C6 | B2 |
| C1036 | D3 | C2 | J1015 | F5 | A1 | R2023 | D5 | B2 |
| C1041 | C3 | C1 | J1023 | F3 | B1 | R2024 | D4 | B2 |
| C1045 | E6 | C2 | J2012 | F2 | A2 | R2025 | C3 | C3 |
| C1056 | A1 | E1 | J2013 | F4 | A2 | R2037 | C3 | C1 |
| C2012 | E3 | A2 | J2058 | A1 | E1 | R2038 | C3 | C1 |
| C2013 | E4 | A2 | J3057 | F1 | E3 | R2039 | C4 | D2 |
| C2021 | E2 | B2 | J4024 | A4 | B4 | R2041 | C2 | C1 |
| C2022 | C4 | C3 | J4027 | A5 | B3 | R2046 | C2 | D1 |
| C2025 | C3 | C3 | J4031 | A6 | B4 | R2049 | B1 | D2 |
| C2026 | C3 | D3 | J4044 | A6 | E4 | R2056 | A1 | E2 |
| C2037 | D2 | C1 | | | | R3011 | E3 | A3 |
| C2041 | C4 | C2 | L1055 | A1 | E1 | R3012 | E3 | A3 |
| C3014 | D5 | A3 | L2029 | A3 | D3 | R3015 | D5 | A3 |
| C3019 | E4 | B3 | L3024 | B4 | C3 | R3016 | E4 | A3 |
| C3024 | D5 | B2 | L4024 | A4 | B4 | R3017 | E4 | A3 |
| C3029 | B4 | C3 | L4055 | B1 | E4 | R3021 | D5 | B3 |
| C3031 | A3 | C2 | | | | R3033 | B4 | C4 |
| C3039 | A3 | D2 | Q1031 | E6 | B2 | R3039 | A3 | D3 |
| C3046 | C2 | D3 | Q1048 | C1 | D1 | R3041 | A4 | D4 |
| C3047 | A4 | D4 | Q2015 | E2 | A2 | R3042 | A3 | D4 |
| C3056 | B1 | E3 | Q2016 | D5 | A2 | R3046 | C2 | D3 |
| C3057 | B1 | E3 | Q2031 | E6 | B3 | R3049 | B2 | D3 |
| C3058 | A1 | E2 | Q2036 | C3 | C1 | R4012 | E3 | A4 |
| C4011 | E3 | A4 | Q2046 | C2 | D2 | R4016 | D5 | A4 |
| C4012 | E3 | A4 | Q3015 | E3 | A3 | R4018 | E4 | A4 |
| C4021 | E5 | B4 | Q3041 | A3 | D4 | R4021 | E5 | B4 |
| C4026 | C5 | B2 | Q4018 | E4 | A4 | R4022 | E5 | B4 |
| C4027 | C5 | B2 | | | | R4046 | A4 | D4 |
| C4028 | A4 | B3 | R1014 | F6 | A1 | R4055 | B1 | E3 |
| C4029 | A4 | B4 | R1015 | E5 | A1 | | | |
| C4031 | A6 | B4 | R1016 | E2 | A1 | T1053 | A1 | E1 |
| C4032 | A6 | B4 | R1018 | E5 | A1 | T2026 | C3 | B1 |
| C4043 | A6 | D4 | R1023 | E1 | B1 | T2041 | D1 | D2 |
| C4044 | A6 | D4 | R1025 | E5 | B1 | T3053 | B1 | E3 |
| | | | R1027 | E5 | B1 | | | |
| CR2054 | B1 | E2 | R1028 | E6 | C2 | W3036 | B4 | C4 |
| CR3045 | B4 | C4 | R1035 | E5 | B1 | | | |
| | | | R1042 | E6 | C2 | Y3036 | B4 | C4 |
| E2015 | D2 | A2 | R1043 | D6 | D1 | | | |



496/496P
174

REV



A1 100 MHz OSCILLATOR AND 3rd MIXER

A34 3rd CONVERTER

*NOTE: FOR FUTURE USE

COMPONENT NUMBER EXAMPLE

| | | |
|------------------|------------------------------|--------------------------|
| Component Number | | |
| A23 A2 R1234 | | |
| Assembly Number | Subassembly Number (if used) | Schematic Circuit Number |

Circle-numbered components have no Assembly Number prefix—see end of Replacement Electrical Parts List.

SEE PARTS LIST FOR EARLIER VALUES AND SERIAL NUMBER RANGES OF PARTS OUTLINED OR DEPICTED IN GREY.

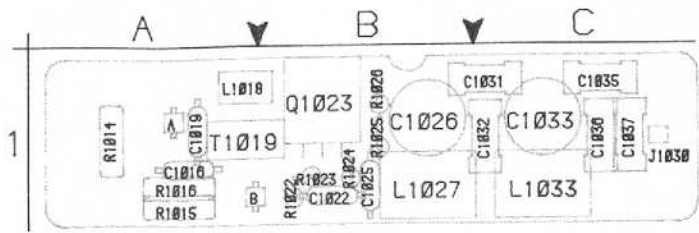
3482-88

REV MAY 1983

Static Sensitive Devices
See Maintenance Section

3RD CONVERTER

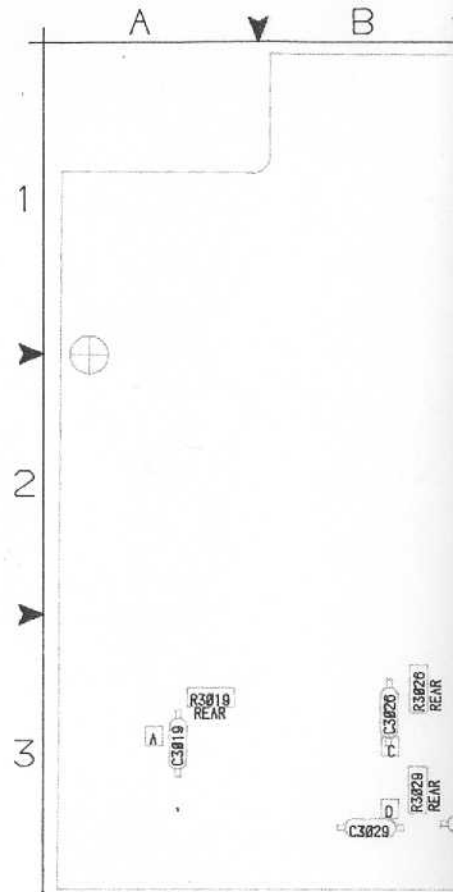
19 JAW



670-5529-01

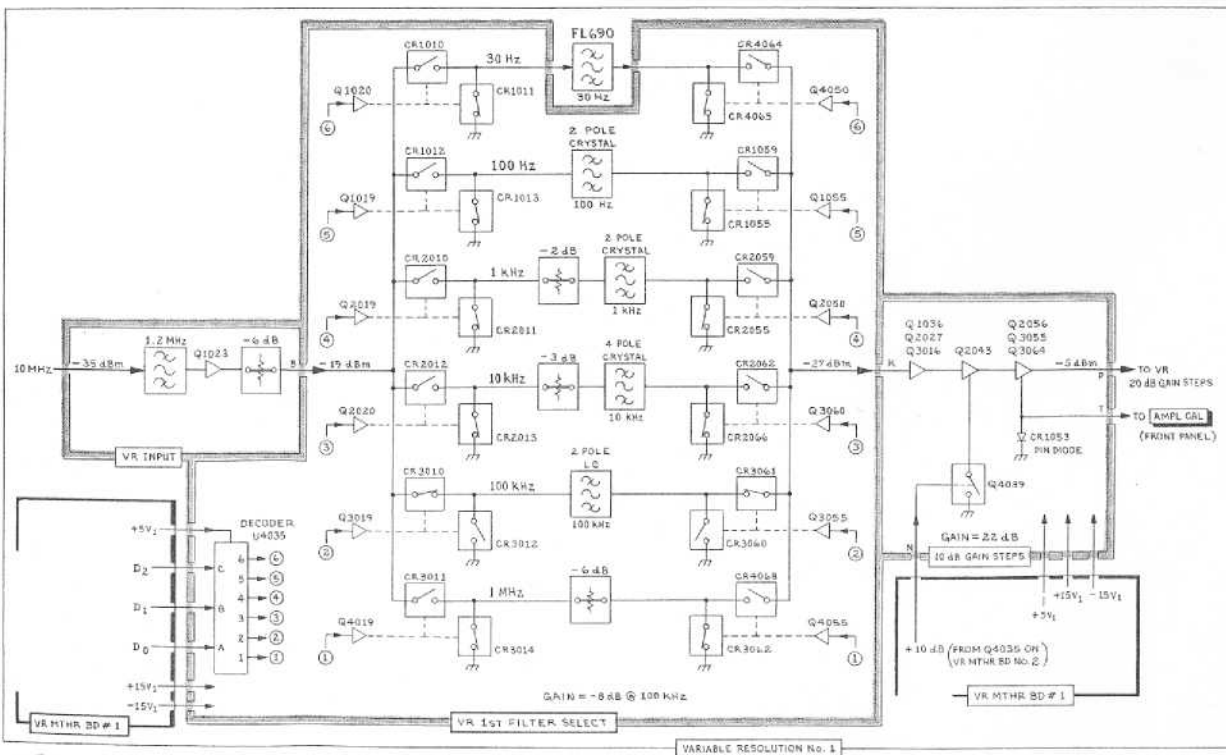
3482-150

Fig. 8-17 A69A2 VR INPUT Circuit Board



670-5528-01

Fig. 8-



176

3482-148

ASSE

CIRCU
NUM

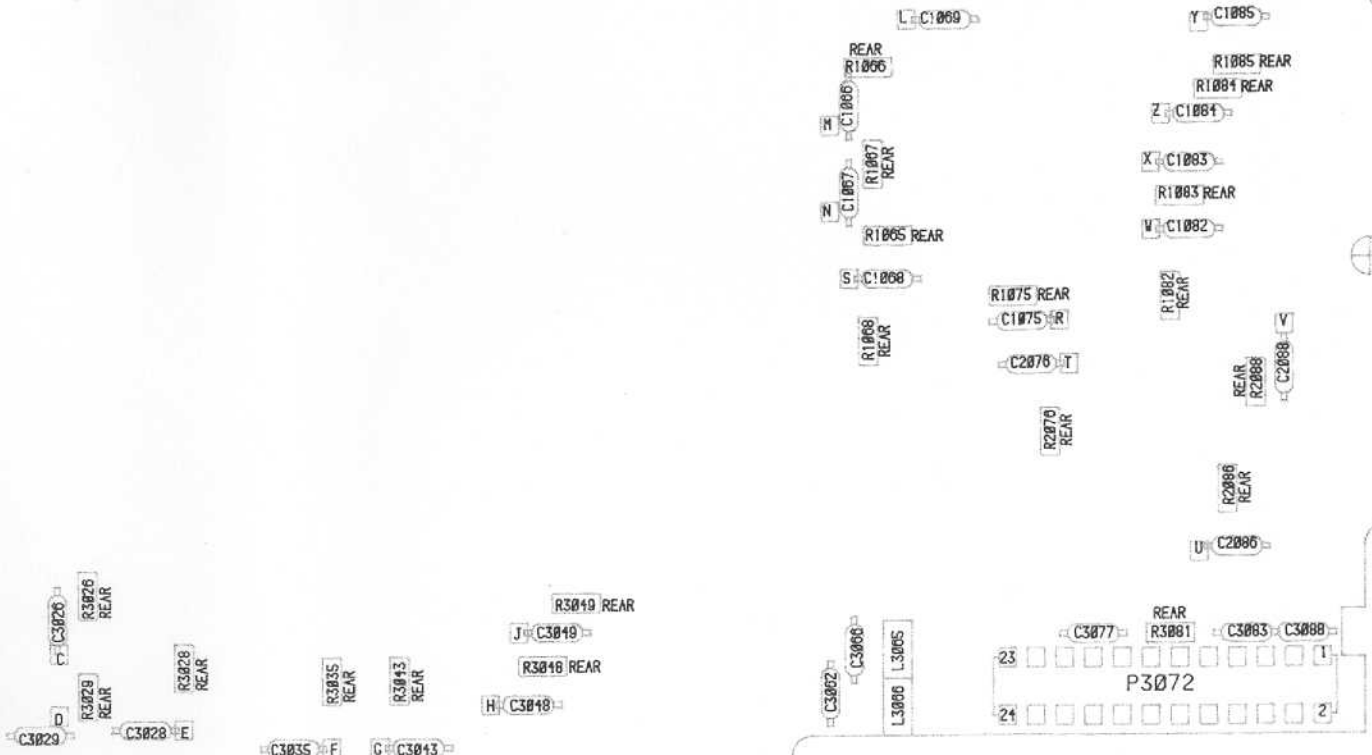
- C106
- C106
- C106
- C107
- C108
- C108
- C108
- C108
- C207
- C208
- C301
- C302
- C302

ASSE

CIRCU
NUM

- C10
- C10
- C10
- C10
- C10
- C10

*See Parts
serial num



3482-149

Fig. 8-16 A69A1 #1 VR MOTHER Circuit Board

Variable Resolution No 1 DIAGRAM 20

ASSEMBLY A69A1

#1 VR Mother

| CIRCUIT NUMBER | SCHEM LOCATION | BOARD LOCATION | CIRCUIT NUMBER | SCHEM LOCATION | BOARD LOCATION | CIRCUIT NUMBER | SCHEM LOCATION | BOARD LOCATION | CIRCUIT NUMBER | SCHEM LOCATION | BOARD LOCATION |
|----------------|----------------|----------------|----------------|----------------|----------------|----------------|----------------|----------------|----------------|----------------|----------------|
| C1066 | E5 | F1 | C3029 | B3 | B2 | L3066 | A2 | F3 | R2088 | H2 | NA |
| C1067 | A5 | F1 | C3035 | C3 | B3 | | | | R3019 | A2 | A3 |
| C1068 | D5 | F2 | C3043 | B3 | D3 | R1065 | A5 | F1 | R3026 | A5 | B3 |
| C1069 | C5 | F1 | C3045 | B3 | C3 | R1066 | C5 | F1 | R3028 | B3 | B3 |
| C1075 | E5 | G2 | C3048 | B2 | E3 | R1067 | E5 | F1 | R3029 | B2 | B3 |
| C1082 | A4 | H1 | C3049 | B3 | E3 | R1068 | D5 | F2 | R3035 | C3 | B3 |
| C1083 | A5 | H1 | C3062 | A2 | F3 | R1075 | E5 | G2 | R3043 | B3 | D3 |
| C1084 | A5 | H1 | C3066 | A3 | F3 | R1082 | A4 | H2 | R3045 | B3 | C3 |
| C2076 | B4 | G2 | C3077 | A4 | G3 | R1083 | A5 | H1 | R3048 | A2 | E3 |
| C2086 | A4 | H3 | C3083* | A4 | H3 | R1084 | A5 | H1 | R3049 | B3 | E3 |
| C3019 | A2 | A3 | C3088 | A4 | H3 | R1085 | H1 | NA | R3081 | A4 | H3 |
| C3026 | A5 | B3 | | | | R2076 | B4 | G2 | | | |
| C3028 | B3 | B3 | L3065 | A3 | F3 | R2086 | A4 | H2 | | | |

ASSEMBLY A69A2

VR Input

| CIRCUIT NUMBER | SCHEM LOCATION | BOARD LOCATION | CIRCUIT NUMBER | SCHEM LOCATION | BOARD LOCATION | CIRCUIT NUMBER | SCHEM LOCATION | BOARD LOCATION | CIRCUIT NUMBER | SCHEM LOCATION | BOARD LOCATION |
|----------------|----------------|----------------|----------------|----------------|----------------|----------------|----------------|----------------|----------------|----------------|----------------|
| C1016 | B2 | A1 | C1033 | A1 | C1 | L1033 | A1 | C1 | R1023 | B2 | B1 |
| C1019 | B2 | A1 | C1035 | A1 | C1 | | | | R1024 | B2 | B1 |
| C1022 | B2 | B1 | C1036 | A1 | C1 | Q1023 | B2 | B1 | R1025 | B2 | B1 |
| C1025 | B2 | B1 | C1037 | A1 | C1 | | | | R1026 | B2 | B1 |
| C1026 | B2 | B1 | | | | R1014 | C1 | A1 | | | |
| C1031 | B2 | C1 | L1018 | A1 | A1 | R1015 | C1 | A1 | T1019 | B2 | A1 |
| C1032 | B2 | C1 | L1027 | B2 | B1 | R1022 | B2 | B1 | | | |

*See Parts List for serial number ranges.

177

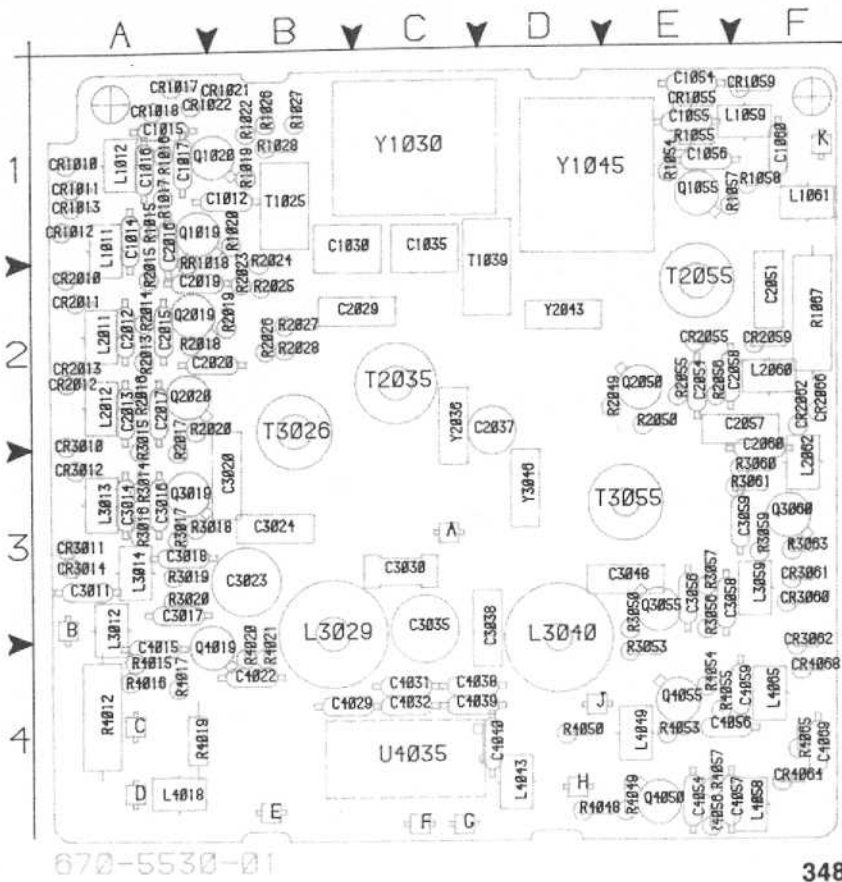


Fig. 8-18 A69A3 1st FILTER SELECT Circuit Board

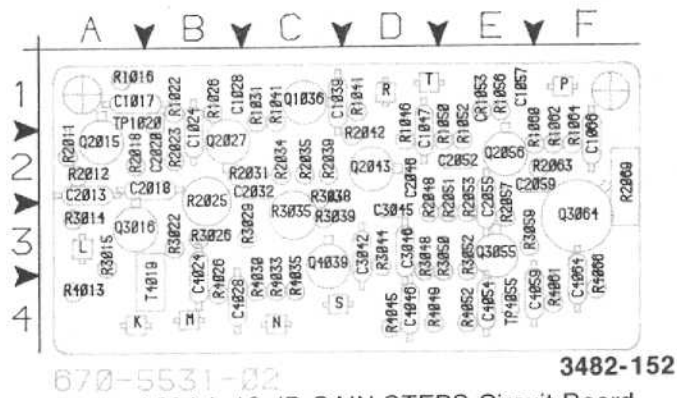
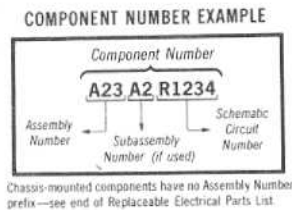
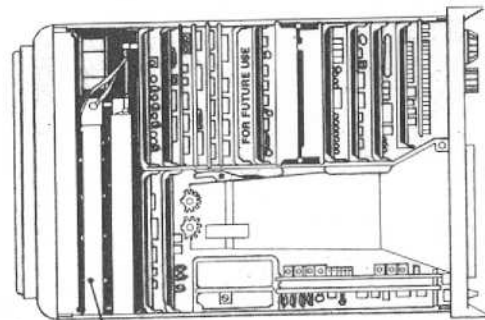


Fig. 8-19 A69A4 10 dB GAIN STEPS Circuit Board



 Static Sensitive Devices
See Maintenance Section



3482-153

#1 VARIABLE RESOLUTION

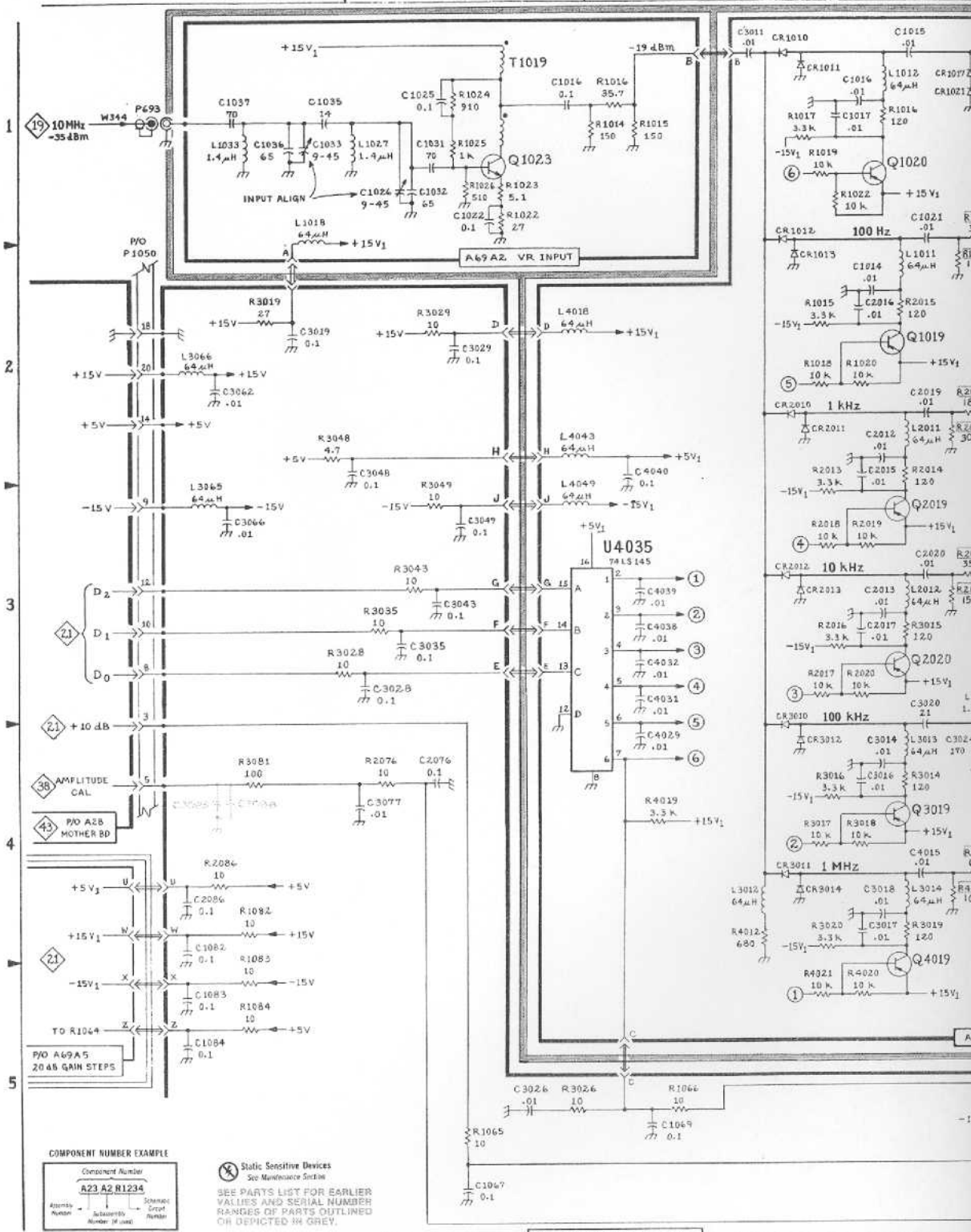
Variable Resolution No 1 DIAGRAM 20

 #1 VARIABLE RESOLUTION 20
ASSEMBLY A69A3
1st Filter Select

| CIRCUIT NUMBER | SCHEM LOCATION | BOARD LOCATION | CIRCUIT NUMBER | SCHEM LOCATION | BOARD LOCATION | CIRCUIT NUMBER | SCHEM LOCATION | BOARD LOCATION | CIRCUIT NUMBER | SCHEM LOCATION | BOARD LOCATION |
|----------------|----------------|----------------|----------------|----------------|----------------|----------------|----------------|----------------|----------------|----------------|----------------|
| C1014 | D2 | A1 | C4057 | F1 | F4 | L4049 | B3 | E4 | R2055 | E3 | E2 |
| C1015 | D1 | A1 | C4059 | E4 | F4 | L4058 | F1 | F4 | R2056 | E2 | E2 |
| C1016 | D1 | A1 | C4069 | F1 | F4 | L4058 | F1 | F4 | R3014 | D4 | A3 |
| C1017 | D1 | A1 | C4069 | F1 | F4 | L4065 | E4 | F4 | R3015 | D3 | A2 |
| C1021 | D2 | B1 | | | | | | | R3016 | D4 | A3 |
| C1030 | E2 | B1 | CR1010 | C1 | A1 | Q1019 | D2 | A1 | R3017 | D4 | A3 |
| C1035 | E2 | C3 | CR1011 | C1 | A1 | Q1020 | D1 | B1 | R3018 | D4 | A3 |
| C1054 | E2 | E1 | CR1012 | C1 | A1 | Q1055 | F2 | E1 | R3019 | D4 | A3 |
| C1055 | E2 | E1 | CR1013 | C2 | A1 | Q2019 | D3 | A2 | R3020 | D4 | A3 |
| C1056 | E2 | E1 | CR1017 | D1 | A1 | Q2020 | D3 | A2 | R3050 | E4 | E3 |
| C1060 | F3 | F1 | CR1018 | D1 | A2 | Q2050 | E3 | E2 | R3053 | D4 | E4 |
| C2012 | D2 | A2 | CR1021 | D1 | B1 | Q3019 | D4 | A3 | R3056 | E4 | E3 |
| C2013 | D3 | A2 | CR1022 | D1 | A1 | Q3055 | E4 | E3 | R3057 | E4 | E3 |
| C2015 | D2 | A2 | CR1055 | F2 | E1 | Q3060 | E3 | F3 | R3059 | E3 | F3 |
| C2016 | D2 | A1 | CR1059 | F2 | F1 | Q4019 | D5 | A4 | R3060 | E3 | F3 |
| C2017 | D3 | A2 | CR2010 | C2 | A2 | Q4050 | F1 | E4 | R3061 | E3 | F3 |
| C2019 | D2 | A2 | CR2011 | C2 | A2 | Q4050 | F1 | E4 | R3063 | E3 | F3 |
| C2020 | D3 | A2 | CR2012 | C3 | A2 | Q4055 | E5 | E4 | R4012 | C3 | A4 |
| C2029 | E2 | B2 | CR2012 | C3 | A2 | | | | R4015 | D4 | A4 |
| C2037 | E3 | D2 | CR2013 | C3 | A2 | R1015 | C2 | A1 | R4016 | D4 | A4 |
| C2051 | E2 | F2 | CR2055 | F2 | E2 | R1016 | D1 | A1 | R4017 | D4 | A4 |
| C2054 | E2 | E2 | CR2059 | F2 | F2 | R1017 | C1 | A1 | R4019 | C4 | A4 |
| C2057 | E3 | F2 | CR2062 | F3 | F2 | R1017 | D1 | A1 | R4020 | D5 | B3 |
| C2058 | E2 | F2 | CR2066 | F3 | F2 | R1018 | C2 | A1 | R4021 | D5 | B3 |
| C2060 | E3 | F2 | CR3010 | C3 | A2 | R1019 | D1 | B1 | R4048 | F1 | D4 |
| C3011 | C1 | A3 | CR3011 | C3 | A3 | R1020 | D2 | B1 | R4048 | F1 | D4 |
| C3014 | D4 | A3 | CR3012 | C3 | A3 | R1022 | D1 | B1 | R4049 | F1 | E4 |
| C3016 | D4 | A3 | CR3014 | C3 | A3 | R1022 | D1 | B1 | R4049 | F1 | E4 |
| C3017 | D4 | A3 | CR3060 | F4 | F3 | R1026 | D2 | B1 | R4050 | E5 | D4 |
| C3018 | D4 | A3 | CR3061 | F4 | F3 | R1027 | D2 | B1 | R4053 | E5 | E4 |
| C3020 | D4 | B3 | CR3062 | F4 | F4 | R1028 | D2 | B1 | R4054 | E4 | E4 |
| C3023 | D4 | B3 | CR4064 | F1 | F4 | R1054 | E2 | E1 | R4055 | E4 | E4 |
| C3024 | D4 | B3 | CR4064 | F1 | F4 | R1055 | E2 | E1 | R4056 | F1 | E4 |
| C3030 | D4 | C3 | CR4065 | F1 | F4 | R1057 | E2 | F1 | R4056 | F1 | E4 |
| C3035 | D4 | C3 | CR4068 | F4 | F4 | R1058 | E2 | F1 | R4057 | F1 | E4 |
| C3038 | E4 | D3 | | | | R1067 | F4 | F2 | R4057 | F1 | E4 |
| C3048 | E4 | E3 | L1011 | D2 | A1 | R2013 | D3 | A2 | | | |
| C3056 | E4 | E3 | L1012 | D1 | A1 | R2014 | D2 | A2 | T1025 | D2 | B1 |
| C3058 | E4 | F3 | L1059 | E2 | F1 | R2015 | D2 | A2 | T1039 | E2 | D1 |
| C3059 | E3 | F3 | L1061 | F4 | F1 | R2016 | D3 | A2 | T2035 | D2 | C2 |
| C4015 | D4 | A4 | L2011 | D2 | A2 | R2017 | D3 | A2 | T2055 | E2 | E2 |
| C4022 | E4 | B4 | L2012 | D3 | A2 | R2018 | D3 | A2 | T3026 | D3 | B2 |
| C4029 | C3 | B4 | L2060 | E2 | F2 | R2019 | D3 | B2 | T3055 | E3 | E3 |
| C4031 | C3 | C4 | L2062 | E3 | F3 | R2020 | D3 | A2 | | | |
| C4032 | C3 | C4 | L3012 | C3 | A3 | R2023 | D2 | B2 | U4035 | C3 | C4 |
| C4038 | C3 | C4 | L3013 | D4 | A3 | R2024 | D2 | B1 | | | |
| C4039 | C3 | C4 | L3014 | D4 | A3 | R2025 | D2 | B2 | Y1030 | E2 | C1 |
| C4040 | B2 | D4 | L3029 | D3 | B3 | R2026 | D3 | B2 | Y1045 | E2 | D1 |
| C4054 | F1 | E4 | L3040 | D3 | D3 | R2027 | D3 | B2 | Y2036 | E3 | C2 |
| C4054 | F1 | E4 | L3059 | E4 | F3 | R2028 | D3 | B2 | Y2043 | E2 | D2 |
| C4056 | E4 | E4 | L4018 | B2 | A4 | R2049 | E3 | E2 | Y3046 | E3 | D3 |
| C4057 | F1 | F4 | L4043 | B2 | D4 | R2050 | E3 | E2 | | | |

ASSEMBLY A69A4
10 dB Gain

| CIRCUIT NUMBER | SCHEM LOCATION | BOARD LOCATION | CIRCUIT NUMBER | SCHEM LOCATION | BOARD LOCATION | CIRCUIT NUMBER | SCHEM LOCATION | BOARD LOCATION | CIRCUIT NUMBER | SCHEM LOCATION | BOARD LOCATION |
|----------------|----------------|----------------|----------------|----------------|----------------|----------------|----------------|----------------|----------------|----------------|----------------|
| C1017 | G4 | A1 | C4064 | G4 | F3 | R1056 | H5 | E1 | R3026 | G3 | B3 |
| C1024 | G2 | B1 | | | | R1060 | H5 | E1 | R3029 | G3 | C3 |
| C1028 | G2 | B1 | CR1053 | H5 | E1 | R1062 | H5 | F1 | R3035 | G4 | C3 |
| C1039 | G2 | C1 | | | | R1064 | H5 | F1 | R3038 | G3 | C2 |
| C1047 | H5 | D1 | Q1036 | G2 | C1 | R2011 | G4 | A2 | R3039 | G4 | C3 |
| C1057 | H5 | E1 | Q2015 | G3 | A2 | R2012 | F5 | A2 | R3044 | G5 | D3 |
| C1066 | H5 | F1 | Q2027 | G2 | B2 | R2018 | G3 | A2 | R3048 | H3 | D3 |
| C2013 | F5 | A2 | Q2043 | H3 | D2 | R2023 | G2 | B2 | R3050 | G5 | E3 |
| C2018 | G3 | A2 | Q2056 | H5 | E2 | R2025 | G3 | B2 | R3052 | G5 | E3 |
| C2020 | G2 | B2 | Q3016 | G2 | A3 | R2031 | G3 | B2 | R3059 | G4 | E3 |
| C2032 | G3 | B2 | Q3055 | G5 | E3 | R2034 | G2 | C2 | R4013 | F2 | A4 |
| C2046 | G3 | D2 | Q3064 | H4 | F3 | R2035 | G3 | C2 | R4026 | G3 | B3 |
| C2052 | H5 | E2 | Q4039 | G5 | C3 | R2039 | G3 | C2 | R4030 | G5 | C3 |
| C2055 | G5 | E2 | | | | R2042 | G3 | D2 | R4033 | G5 | C3 |
| C2059 | H5 | E2 | R1016 | G4 | A1 | R2048 | H3 | D2 | R4035 | G5 | C3 |
| C3042 | G5 | D3 | R1022 | G2 | B1 | R2051 | G5 | E2 | R4045 | H3 | D4 |
| C3045 | G4 | D3 | R1026 | G2 | B1 | R2053 | H5 | E2 | R4049 | H3 | D4 |
| C3046 | G3 | D3 | R1031 | G2 | C1 | R2057 | H4 | E2 | R4052 | H5 | E4 |
| C4024 | G3 | B3 | R1032 | G2 | C1 | R2063 | H5 | F2 | R4061 | G4 | F3 |
| C4028 | G5 | B4 | R1041 | G2 | C1 | R2069 | H5 | F2 | R4066 | H4 | F3 |
| C4046 | H3 | D4 | R1046 | H5 | D1 | R3014 | F5 | A3 | | | |
| C4054 | G5 | E4 | R1050 | H5 | E1 | R3015 | G2 | A3 | | | |
| C4059 | G4 | E4 | R1052 | H5 | E1 | R3022 | G3 | B3 | | | |



COMPONENT NUMBER EXAMPLE

| Component Number | | |
|------------------|------------------------------|-------------------------|
| A23 | A2 | R1234 |
| Assembly Number | Subassembly Number (if used) | Schematic Detail Number |

Qualification symbols are in accordance with MIL-STD-883C and MIL-STD-883D. See also MIL-STD-883E and MIL-STD-883F. See also MIL-STD-883G and MIL-STD-883H.

Static Sensitive Devices
See Maintenance Section

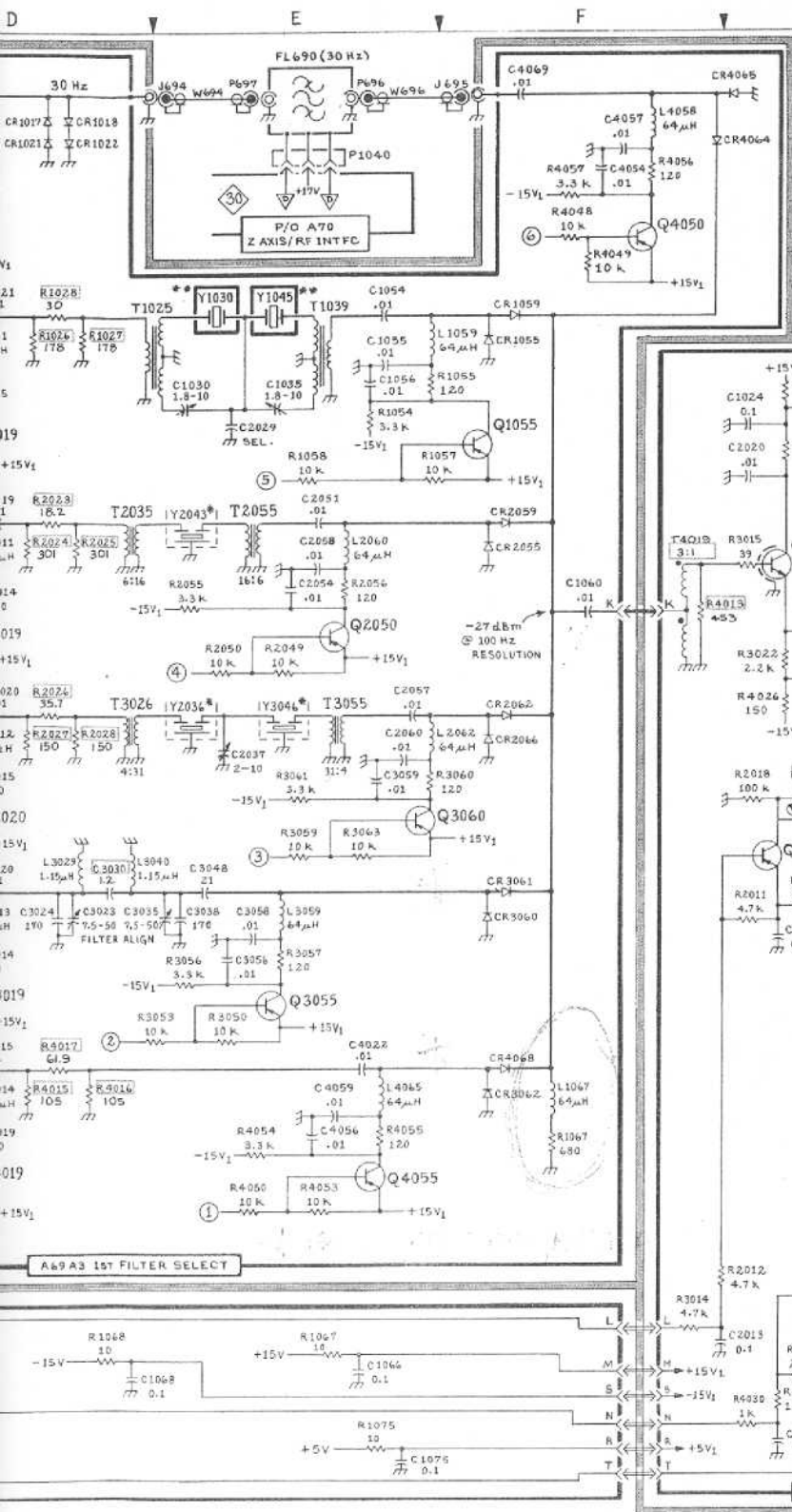
SEE PARTS LIST FOR EARLIER VALUES AND SERIAL NUMBER RANGES OF PARTS OUTLINED OR DEPICTED IN GREY.

P/O A69 A1 VR MOTHER BD #1

3482-89
REV JUL 1982

180

496/496P

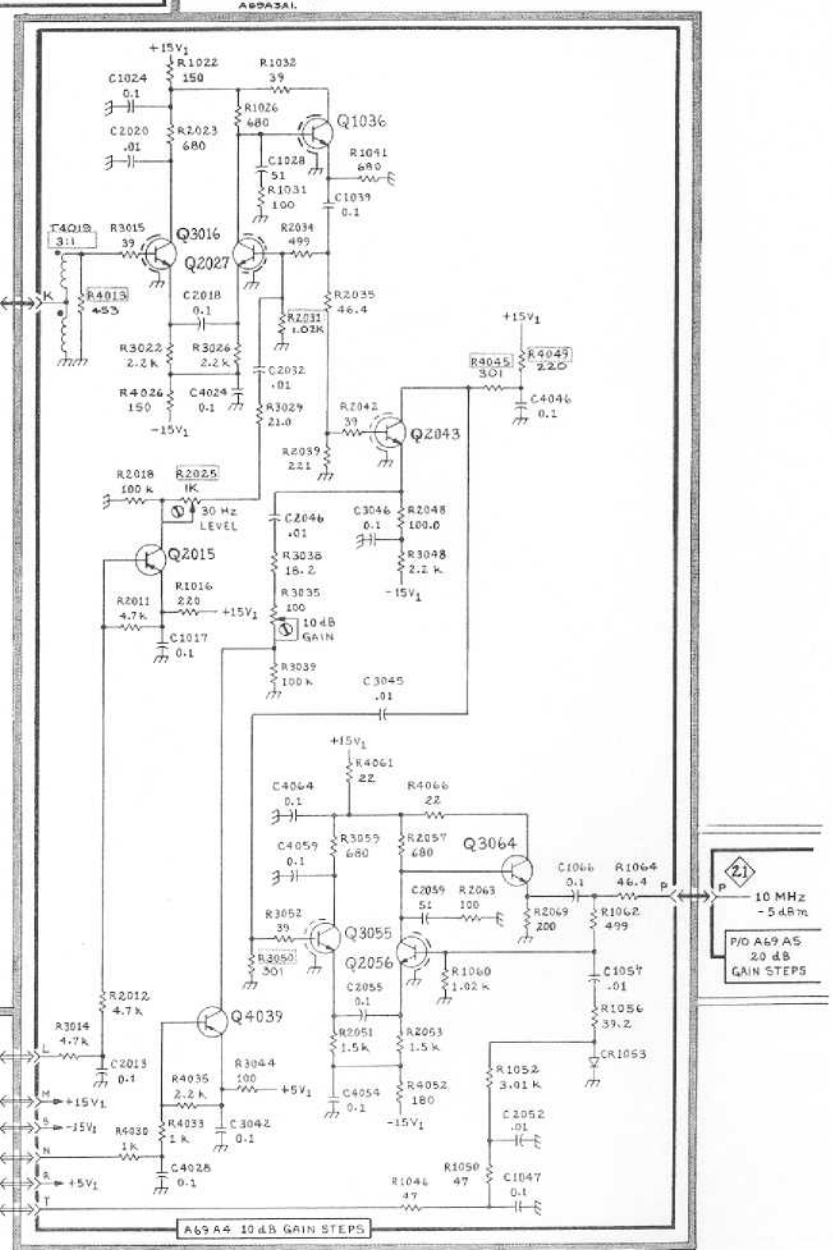


NOTES:

| BAND WIDTH | U4035 LOW PIN | A | B | C | D |
|------------|---------------|---|---|---|---|
| 1 MHz | 2 | 1 | 0 | 0 | 0 |
| 100 kHz | 3 | 0 | 1 | 0 | 0 |
| 10 kHz | 4 | 1 | 1 | 0 | 0 |
| 1 kHz | 5 | 0 | 0 | 1 | 0 |
| 100 Hz | 6 | 1 | 0 | 1 | 0 |
| 30 Hz | 7 | 0 | 1 | 1 | 0 |

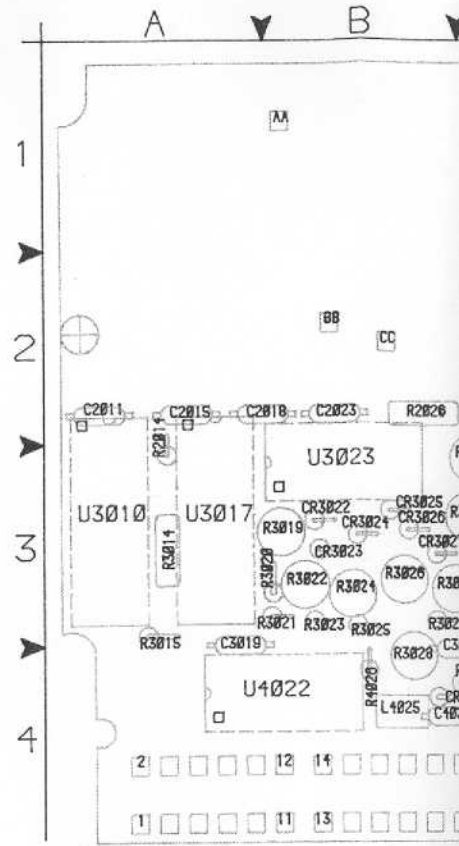
* Y2043, Y2055, Y3046 ARE MATCHED WITH MONOLITHIC FILTERS ON THE 2ND FILTER SELECT.

** Y1030, Y1045 ARE A PART OF A MATCHED SET, THESE XTALS ARE MOUNTED ON CIRCUIT BOARDS APART.

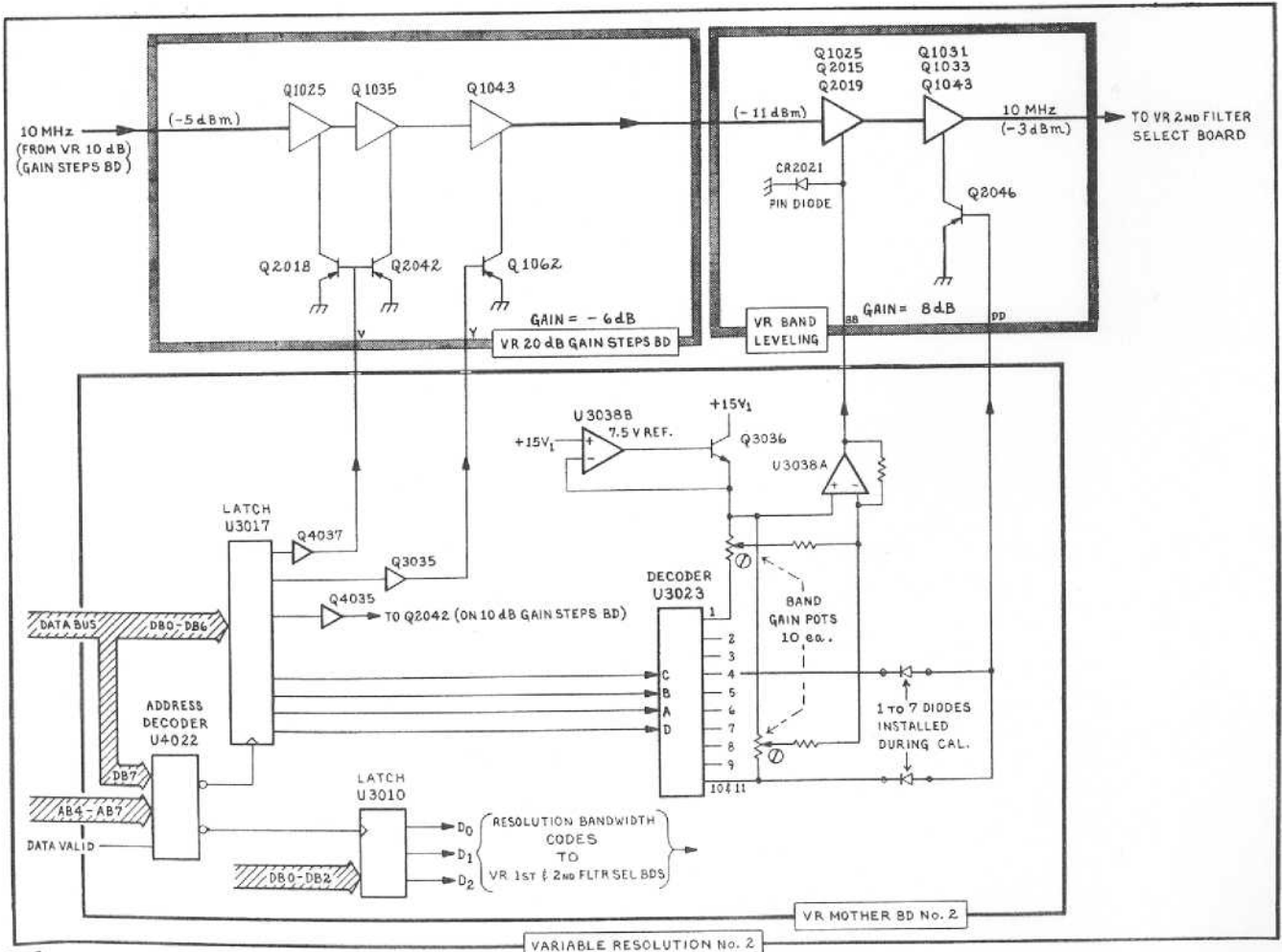


#1 VARIABLE RESOLUTION (VR INPUT, #1 FILTER, † 10 dB GAIN) 20

2 VR CRT BD LOG & BLOCK DIAG



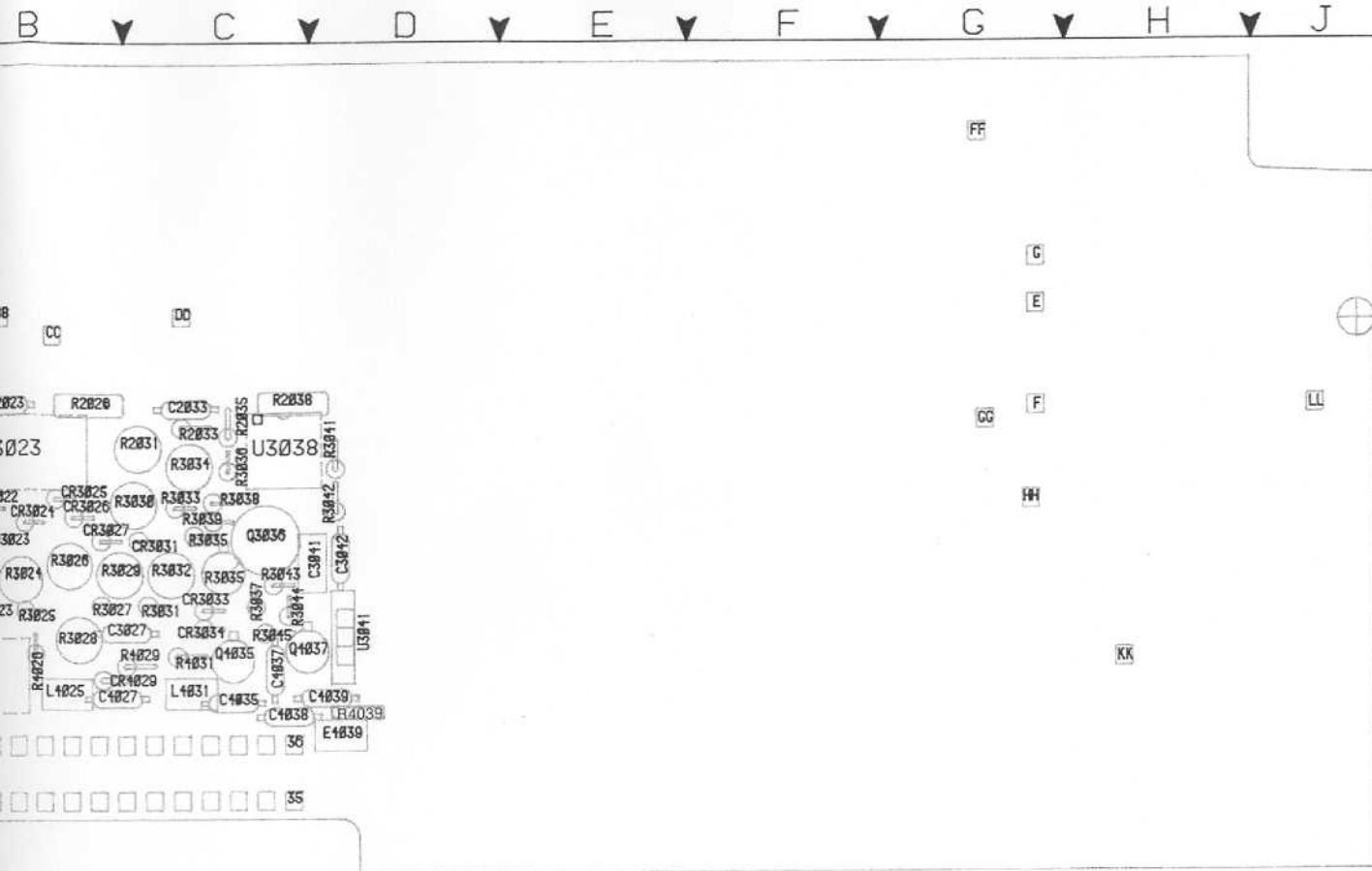
670-5536-01



182

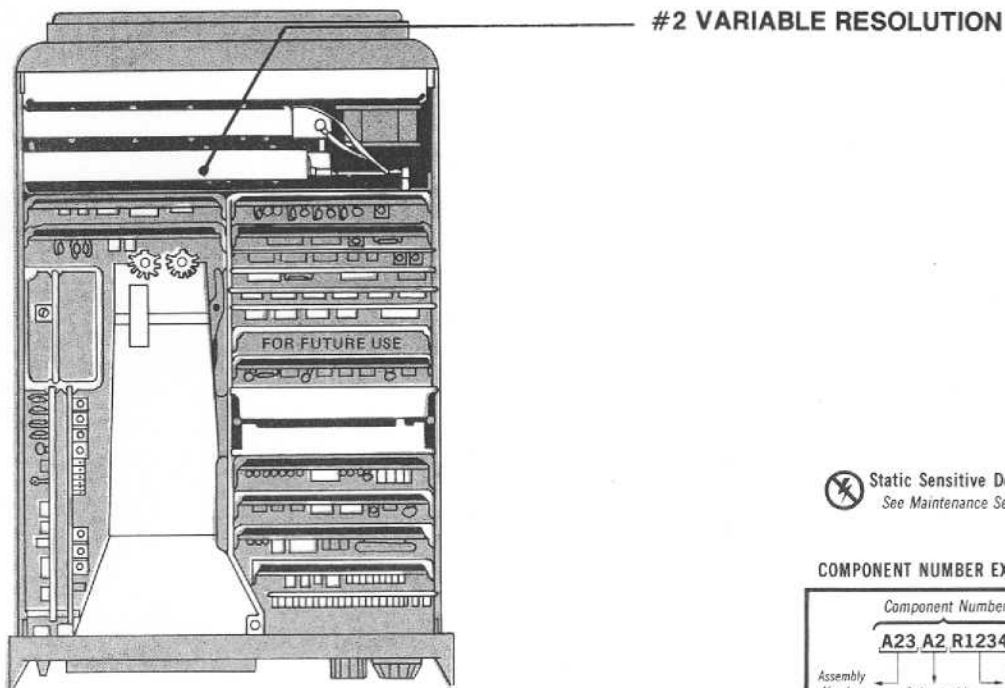
VARIABLE RESOLUTION No. 2

3482-154



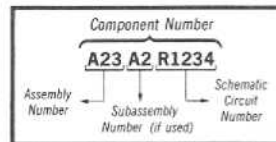
3482-156A

Fig. 8-20 A68A1 #2 VR MOTHER Circuit Board



 Static Sensitive Devices
See Maintenance Section

COMPONENT NUMBER EXAMPLE



Chassis-mounted components have no Assembly Number prefix—see end of Replaceable Electrical Parts List.

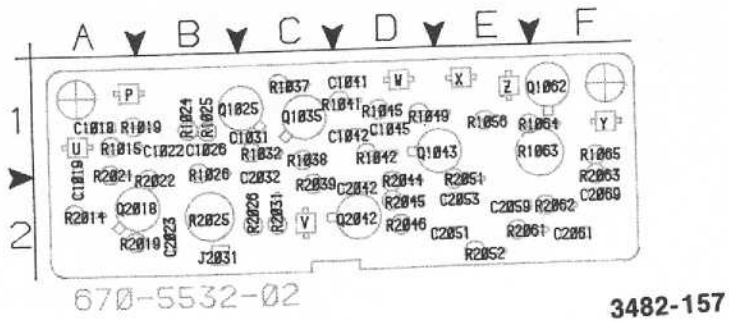


Fig. 8-21 A69A5 20 dB GAIN STEPS Circuit Board

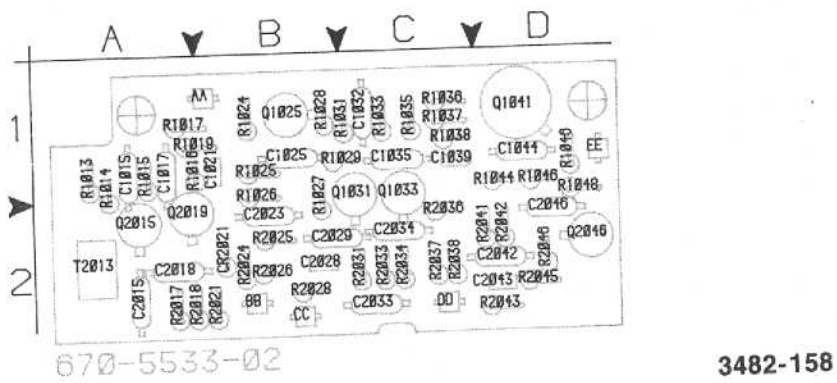


Fig. 8-22 A68A3 BAND LEVELING Circuit Board

Variable Resolution No 2 DIAGRAM 21

ASSEMBLY A68A1

#2 VR Mother

| CIRCUIT NUMBER | SCHEM LOCATION | BOARD LOCATION | CIRCUIT NUMBER | SCHEM LOCATION | BOARD LOCATION | CIRCUIT NUMBER | SCHEM LOCATION | BOARD LOCATION | CIRCUIT NUMBER | SCHEM LOCATION | BOARD LOCATION |
|----------------|----------------|----------------|----------------|----------------|----------------|----------------|----------------|----------------|----------------|----------------|----------------|
| C2011 | A4 | A2 | CR3025 | E5 | B3 | R2033 | D3 | C3 | R3035 | C3 | C3 |
| C2015 | A3 | A2 | CR3026 | E5 | C3 | R2035 | D3 | C2 | R3036 | D3 | C3 |
| C2018 | C4 | B2 | CR3027 | E5 | C3 | R2038 | D3 | D2 | R3037 | B3 | C3 |
| C2023 | D3 | B2 | CR3031 | E5 | C3 | R3014 | A3 | A3 | R3038 | D3 | C3 |
| C2033 | E3 | C2 | CR3033 | A3 | C3 | R3015 | A3 | A4 | R3039 | C3 | C3 |
| C3019 | A4 | B4 | CR3034 | A3 | C4 | R3019 | D4 | B3 | R3041 | C3 | D3 |
| C3027 | A5 | C4 | CR4029 | B3 | C4 | R3020 | D4 | B3 | R3042 | C3 | D3 |
| C3041 | C3 | D3 | | | | R3021 | D4 | B3 | R3043 | B3 | C3 |
| C3042 | A5 | D3 | E4039 | A5 | C4 | R3022 | D4 | B3 | R3044 | B4 | D3 |
| C4027 | A5 | C4 | | | | R3023 | D4 | B4 | R3045 | A4 | C4 |
| C4035 | C3 | C4 | L4025 | A5 | B4 | R3024 | D4 | B3 | R4026 | D5 | B4 |
| C4037 | B3 | C4 | L4031 | A5 | C4 | R3025 | D5 | B4 | R4029 | B3 | C4 |
| C4038 | B3 | C4 | | | | R3026 | D5 | B3 | R4031 | B3 | C4 |
| C4039 | A5 | C4 | Q3035 | B3 | C3 | R3027 | D5 | C3 | R4039* | A5 | C4 |
| | | | Q3036 | D3 | C3 | R3028 | D5 | B4 | | | |
| CR3022 | E4 | B3 | Q4035 | C3 | C4 | R3029 | D5 | C3 | U3010 | A4 | A3 |
| CR3023 | E4 | B3 | Q4037 | B3 | D4 | R3030 | D4 | C3 | U3017 | A3 | A3 |
| CR3024 | E4 | B3 | | | | R3031 | D5 | C3 | U3023 | C4 | B3 |
| | | | R2014 | A3 | A3 | R3032 | D5 | C3 | U3038A | E3 | C3 |
| | | | R2026 | E3 | B2 | R3033 | D4 | C3 | U3038B | C3 | C3 |
| | | | R2031 | D3 | C3 | R3034 | D3 | C3 | U3041 | A5 | C3 |
| | | | | | | | | | U4022 | A5 | C3 |

*See Parts List for serial number ranges.

ASSEMBLY A69A5

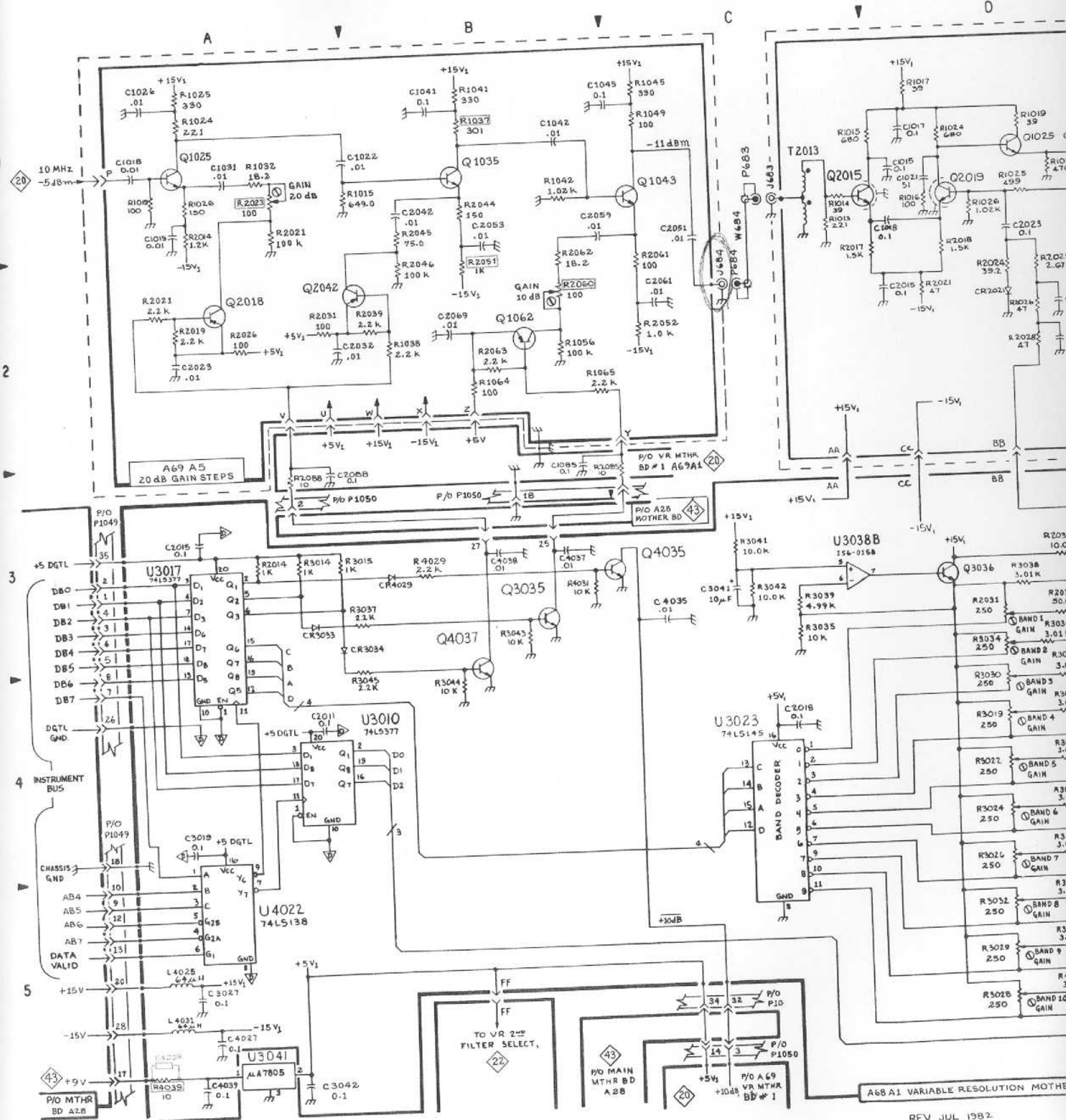
20 dB Gain Steps

| CIRCUIT NUMBER | SCHEM LOCATION | BOARD LOCATION | CIRCUIT NUMBER | SCHEM LOCATION | BOARD LOCATION | CIRCUIT NUMBER | SCHEM LOCATION | BOARD LOCATION | CIRCUIT NUMBER | SCHEM LOCATION | BOARD LOCATION |
|----------------|----------------|----------------|----------------|----------------|----------------|----------------|----------------|----------------|----------------|----------------|----------------|
| C1018 | A1 | A1 | C2061 | C2 | F2 | R1026 | A1 | B1 | R2021 | A2 | A1 |
| C1019 | A1 | A1 | C2069 | B2 | F2 | R1032 | A1 | C1 | R2022 | A2 | B2 |
| C1022 | B1 | B1 | | | | R1037 | B1 | C1 | R2023 | A1 | B2 |
| C1026 | A1 | B1 | Q1025 | A1 | B1 | R1038 | B2 | C1 | R2026 | A2 | C2 |
| C1031 | A1 | C1 | Q1035 | B1 | C1 | R1041 | B1 | D1 | R2031 | A2 | C2 |
| C1041 | B1 | D1 | Q1043 | C1 | D1 | R1042 | C1 | D1 | R2039 | B2 | C2 |
| C1042 | B1 | D1 | Q1062 | B2 | F1 | R1045 | C1 | D1 | R2044 | B1 | D2 |
| C1045 | C1 | D1 | Q2018 | A2 | A2 | R1049 | C1 | D1 | R2045 | B1 | D2 |
| C2023 | A2 | B2 | Q2042 | B2 | D2 | R1056 | C2 | E1 | R2046 | B2 | D2 |
| C2032 | A2 | C2 | | | | R2060 | B2 | F1 | R2051 | B2 | E2 |
| C2042 | B1 | D2 | R1015 | B1 | A1 | R1064 | B2 | F1 | R2052 | C2 | E2 |
| C2051 | C1 | E2 | R1019 | A1 | A1 | R1065 | C2 | F1 | R2061 | C2 | E2 |
| C2053 | B2 | E2 | R1024 | A1 | B1 | R2014 | A1 | A2 | R2062 | C1 | F2 |
| C2059 | B1 | E2 | R1025 | A1 | B1 | R2019 | A2 | A2 | | | |

ASSEMBLY A68A3

Band leveling

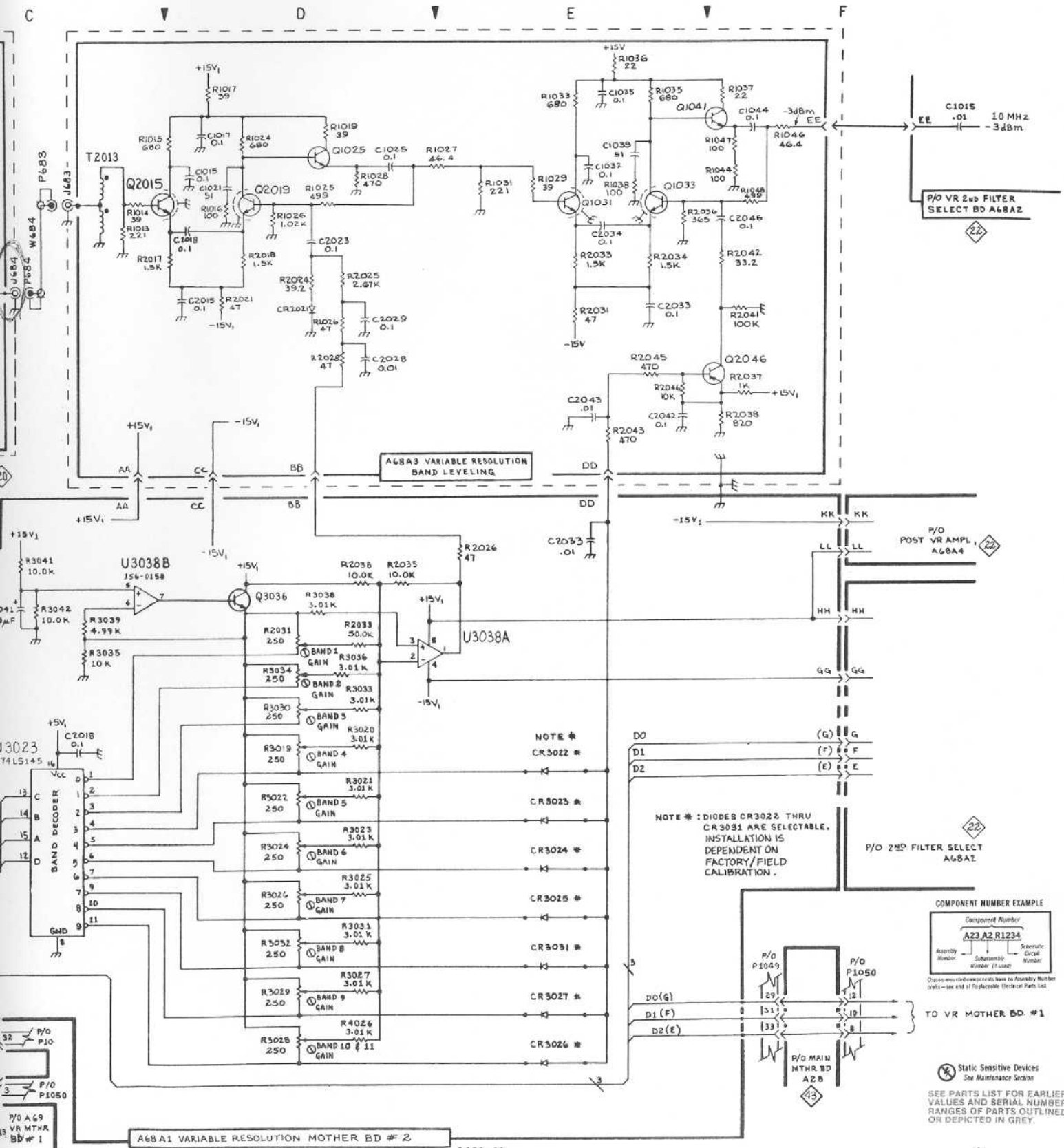
| CIRCUIT NUMBER | SCHEM LOCATION | BOARD LOCATION | CIRCUIT NUMBER | SCHEM LOCATION | BOARD LOCATION | CIRCUIT NUMBER | SCHEM LOCATION | BOARD LOCATION | CIRCUIT NUMBER | SCHEM LOCATION | BOARD LOCATION |
|----------------|----------------|----------------|----------------|----------------|----------------|----------------|----------------|----------------|----------------|----------------|----------------|
| C1015 | D1 | A1 | CR2021 | D2 | B2 | R1026 | D1 | B1 | R2025 | D2 | B2 |
| C1017 | D1 | A1 | | | | R1027 | D1 | B1 | R2026 | D2 | B2 |
| C1021 | D1 | B1 | Q1025 | D1 | B1 | R1028 | D1 | B1 | R2028 | D2 | B2 |
| C1025 | D1 | B1 | Q1031 | E1 | C1 | R1029 | E1 | C1 | R2031 | E2 | C2 |
| C1032 | E1 | C1 | Q1033 | E1 | C1 | R1031 | E1 | C1 | R2033 | E2 | C2 |
| C1035 | E1 | C1 | Q1041 | E1 | D1 | R1033 | E1 | C1 | R2034 | E2 | C2 |
| C1039 | E1 | C1 | Q2015 | C1 | A2 | R1035 | E1 | C1 | R2036 | E1 | C2 |
| C1044 | F1 | D1 | Q2019 | D1 | A2 | R1036 | E1 | C1 | R2037 | F2 | C2 |
| C2015 | D2 | A2 | Q2046 | F2 | D2 | R1037 | F1 | C1 | R2038 | F2 | C2 |
| C2018 | D1 | A2 | | | | R1038 | E1 | C1 | R2041 | F2 | D2 |
| C2023 | D1 | B2 | R1013 | C1 | A1 | R1044 | F1 | D1 | R2042 | F2 | D2 |
| C2028 | D2 | B2 | R1014 | C1 | A1 | R1046 | F1 | D1 | R2043 | E2 | D2 |
| C2029 | D2 | B2 | R1015 | D1 | A1 | R1047 | F1 | D1 | R2045 | E2 | D2 |
| C2033 | E2 | C2 | R1016 | D1 | A1 | R1048 | F1 | D1 | R2046 | E2 | D2 |
| C2034 | E1 | C2 | R1017 | D1 | A1 | R2017 | D2 | A2 | | | |
| C2042 | E2 | D2 | R1019 | D1 | A1 | R2018 | D2 | A2 | T2013 | C1 | A2 |
| C2043 | E2 | D2 | R1024 | D1 | B1 | R2021 | D2 | B2 | | | |
| C2046 | F1 | D2 | R1025 | D1 | B1 | R2024 | D2 | B2 | | | |



REV JUL 1982

496/496P

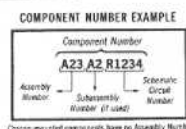
186



REV JUL 1982

3482-90

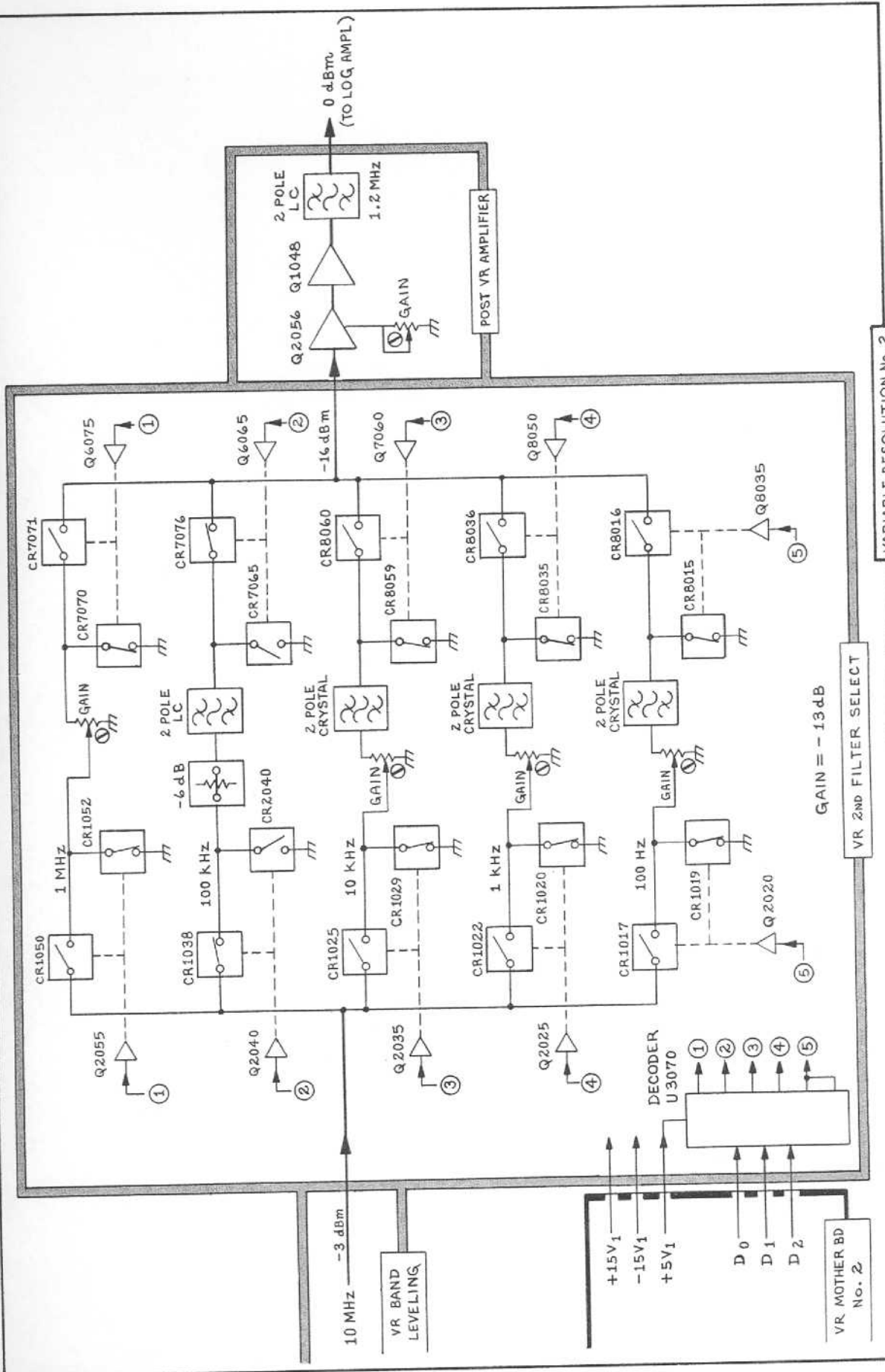
2 VARIABLE RESOLUTION (20dB GAIN & BAND LEVELING) 21



TO VR MOTHER BD # 1

Static Sensitive Devices
See Maintenance Section

SEE PARTS LIST FOR EARLIER VALUES AND SERIAL NUMBER RANGES OF PARTS OUTLINED OR DEPICTED IN GREY.



Variable Resolution No 2 DIAGRAM

22

ASSEMBLY A68A2

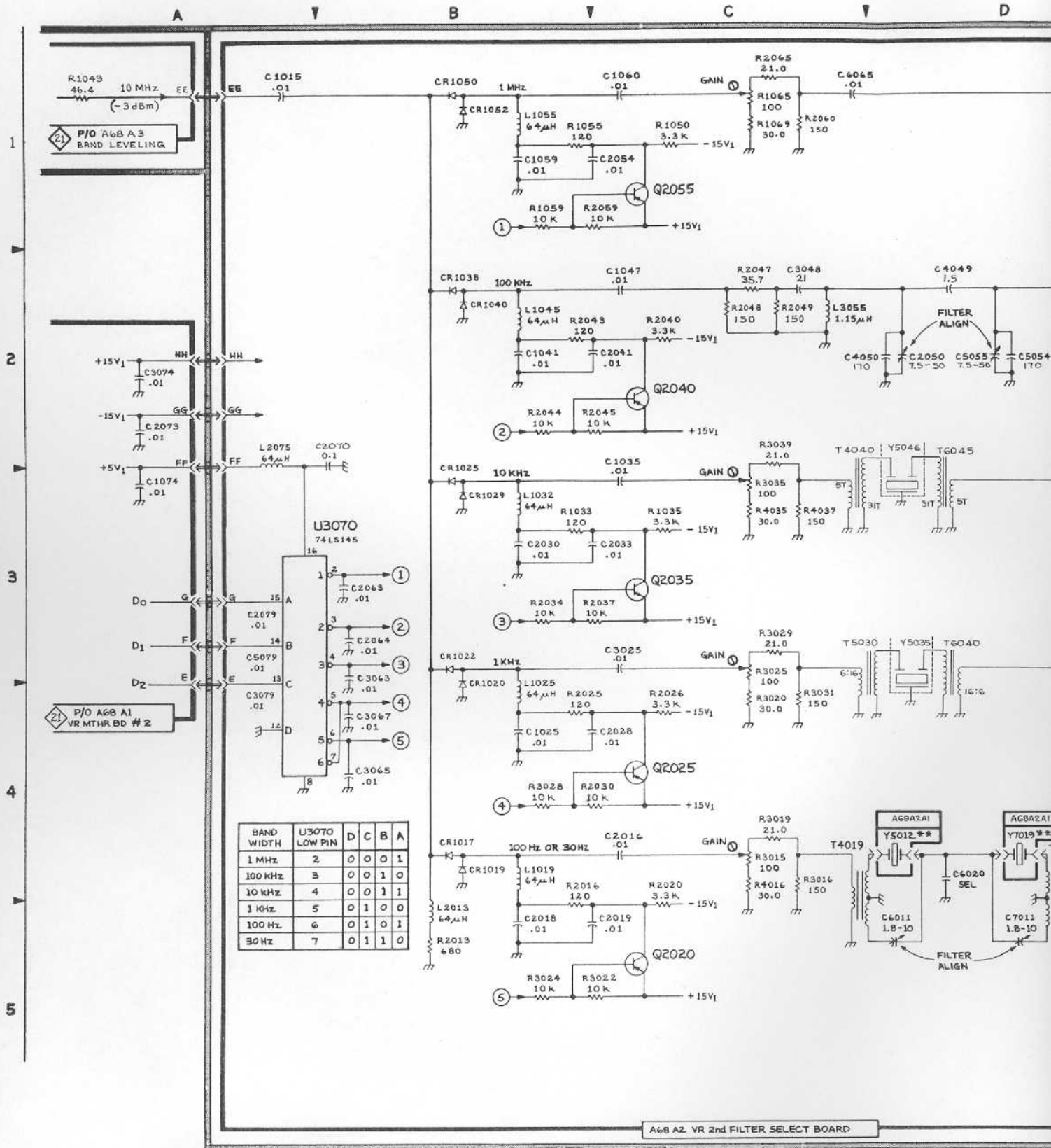
2nd Filter Select

| CIRCUIT NUMBER | SCHEM LOCATION | BOARD LOCATION | CIRCUIT NUMBER | SCHEM LOCATION | BOARD LOCATION | CIRCUIT NUMBER | SCHEM LOCATION | BOARD LOCATION | CIRCUIT NUMBER | SCHEM LOCATION | BOARD LOCATION |
|----------------|----------------|----------------|----------------|----------------|----------------|----------------|----------------|----------------|----------------|----------------|----------------|
| C1015 | A1 | A1 | C8046 | E4 | E8 | Q2025 | C4 | B2 | R3029 | C3 | C4 |
| C1025 | B4 | B1 | C8057 | D3 | F8 | Q2035 | C3 | C2 | R3031 | C4 | C4 |
| C1035 | C3 | C1 | C8061 | E3 | F8 | Q2040 | C2 | D2 | R3035 | C3 | C3 |
| C1041 | B2 | D1 | C8075 | E3 | G7 | Q2055 | C1 | E2 | R3039 | C3 | D3 |
| C1047 | C2 | D1 | | | | Q6065 | E2 | F6 | R4016 | C4 | A3 |
| C1059 | B1 | E1 | CR1017 | B4 | A1 | Q6075 | E1 | G5 | R4032 | C3 | C4 |
| C1060 | C1 | F1 | CR1019 | B4 | A1 | Q7060 | E3 | F7 | R4035 | C3 | C4 |
| C2016 | C4 | A2 | CR1020 | B4 | B1 | Q8035 | E5 | C8 | R5074 | E1 | G5 |
| C2018 | B5 | B2 | CR1022 | B3 | B1 | Q8050 | E4 | E8 | R5075 | E1 | G5 |
| C2019 | B5 | B2 | CR1025 | B3 | B1 | | | | R6060 | D2 | F6 |
| C2028 | B4 | B2 | CR1029 | B3 | B1 | R1033 | B3 | C1 | R6061 | E2 | F6 |
| C2030 | B3 | C2 | CR1038 | B2 | C1 | R1035 | C3 | C1 | R6065 | E2 | G5 |
| C2033 | B3 | C2 | CR1040 | B2 | D1 | R1050 | C1 | E1 | R6066 | E2 | G6 |
| C2041 | C2 | D2 | CR1050 | B1 | E1 | R1055 | B1 | E1 | R6070 | D1 | G6 |
| C2050 | D2 | E2 | CR1052 | B1 | E1 | R1059 | B1 | F1 | R6075 | E1 | G6 |
| C2054 | C1 | E2 | CR7065 | E2 | G7 | R1065 | C1 | F1 | R7060 | D3 | F7 |
| C2063 | B3 | F2 | CR7067 | E2 | G7 | R1069 | C1 | F1 | R7061 | E3 | F6 |
| C2064 | B3 | F2 | CR7070 | E1 | G7 | R2013 | B5 | A3 | R7062 | E3 | F7 |
| C2070 | B2 | G2 | CR7071 | E1 | G7 | R2016 | B5 | A2 | R7063 | E3 | F7 |
| C3025 | C3 | C3 | CR8015 | E4 | B8 | R2020 | C5 | B2 | R8026 | D5 | B8 |
| C3048 | C2 | D2 | CR8016 | E4 | B8 | R2025 | B4 | B2 | R8027 | E5 | B8 |
| C3063 | B3 | F3 | CR8035 | E4 | C8 | R2026 | C4 | B2 | R8030 | E5 | C8 |
| C3065 | B4 | F3 | CR8036 | E3 | C8 | R2030 | B4 | C2 | R8035 | E5 | C8 |
| C3067 | B4 | F3 | CR8059 | E3 | F8 | R2034 | B3 | C2 | R8046 | D4 | E8 |
| C4049 | D2 | E4 | CR8060 | E3 | F8 | R2037 | B3 | C2 | R8049 | E4 | E8 |
| C4050 | D2 | E3 | | | | R2040 | C2 | D2 | R8050 | E4 | E8 |
| C5054 | D2 | E5 | L1019 | B4 | A1 | R2043 | B2 | D2 | R8055 | E4 | E8 |
| C5055 | D2 | F5 | L1025 | B4 | B1 | R2044 | B2 | D2 | R8070 | E5 | G7 |
| C6011 | D5 | A6 | L1032 | B3 | C1 | R2045 | B2 | D2 | | | |
| C6020 | D4 | B6 | L1045 | B2 | D1 | R2047 | C2 | D2 | T4019 | C4 | B4 |
| C6052 | D2 | E6 | L1055 | B1 | E1 | R2048 | C2 | E1 | T4040 | C3 | D4 |
| C6053 | E2 | E6 | L2013 | B5 | A2 | R2049 | C2 | E2 | T5030 | C3 | C5 |
| C6064 | E2 | F5 | L2075 | A2 | G1 | R2059 | C1 | F2 | T6040 | D3 | D7 |
| C6065 | C1 | F5 | L3055 | C2 | E3 | R2060 | C1 | F2 | T6045 | D3 | E6 |
| C6072 | E1 | G5 | L4060 | D2 | F4 | R2065 | C1 | F2 | T7015 | D4 | B7 |
| C6073 | E1 | G6 | L6056 | E2 | F6 | R3015 | C4 | A3 | | | |
| C7011 | D5 | A7 | L7075 | E1 | G6 | R3016 | C4 | A3 | U3070 | B3 | G3 |
| C7061 | E3 | F7 | L8020 | E4 | B8 | R3019 | C4 | B3 | | | |
| C8016 | D4 | B8 | L8040 | E4 | D8 | R3020 | C4 | B3 | Y5012 | D4 | A5 |
| C8025 | E5 | B8 | L8061 | E3 | F8 | R3022 | B5 | B3 | Y5035 | D3 | D6 |
| C8027 | E5 | C8 | L8070 | E5 | G8 | R3024 | B5 | B3 | Y5046 | D2 | E5 |
| C8040 | D3 | D8 | | | | R3025 | C3 | C3 | Y7019 | D4 | B6 |
| C8045 | E4 | D8 | Q2020 | C5 | B3 | R3028 | B4 | B2 | | | |

ASSEMBLY A68A4

Post VR Amplifier

| CIRCUIT NUMBER | SCHEM LOCATION | BOARD LOCATION | CIRCUIT NUMBER | SCHEM LOCATION | BOARD LOCATION | CIRCUIT NUMBER | SCHEM LOCATION | BOARD LOCATION | CIRCUIT NUMBER | SCHEM LOCATION | BOARD LOCATION |
|----------------|----------------|----------------|----------------|----------------|----------------|----------------|----------------|----------------|----------------|----------------|----------------|
| C1022 | F3 | B1 | C2033 | F2 | B2 | R1029 | F1 | B1 | R2045 | F3 | C2 |
| C1023 | F3 | B1 | C2038 | F3 | B2 | R1039 | F2 | C1 | R2052 | F3 | C2 |
| C1029 | F2 | B1 | C2052 | F4 | C2 | R1052 | F2 | D1 | R2062 | F3 | D2 |
| C1033 | F2 | B1 | C2053 | F3 | C2 | R1058 | F2 | D1 | | | |
| C1044 | F2 | C1 | | | | R2036 | F4 | C2 | T1038 | F2 | C1 |
| C1052 | F2 | C1 | L2021 | F3 | A2 | R2038 | F4 | B2 | T1059 | F2 | D1 |
| C2018 | F4 | A2 | L2031 | F2 | B2 | R2041 | F4 | C2 | T2063 | F3 | D2 |
| C2023 | F3 | B2 | | | | R2042 | F2 | C2 | | | |
| C2025 | F3 | B2 | Q1048 | F2 | C1 | R2043 | F4 | C2 | | | |
| C2026 | F3 | B2 | Q2056 | F3 | D2 | R2044 | F2 | C2 | | | |

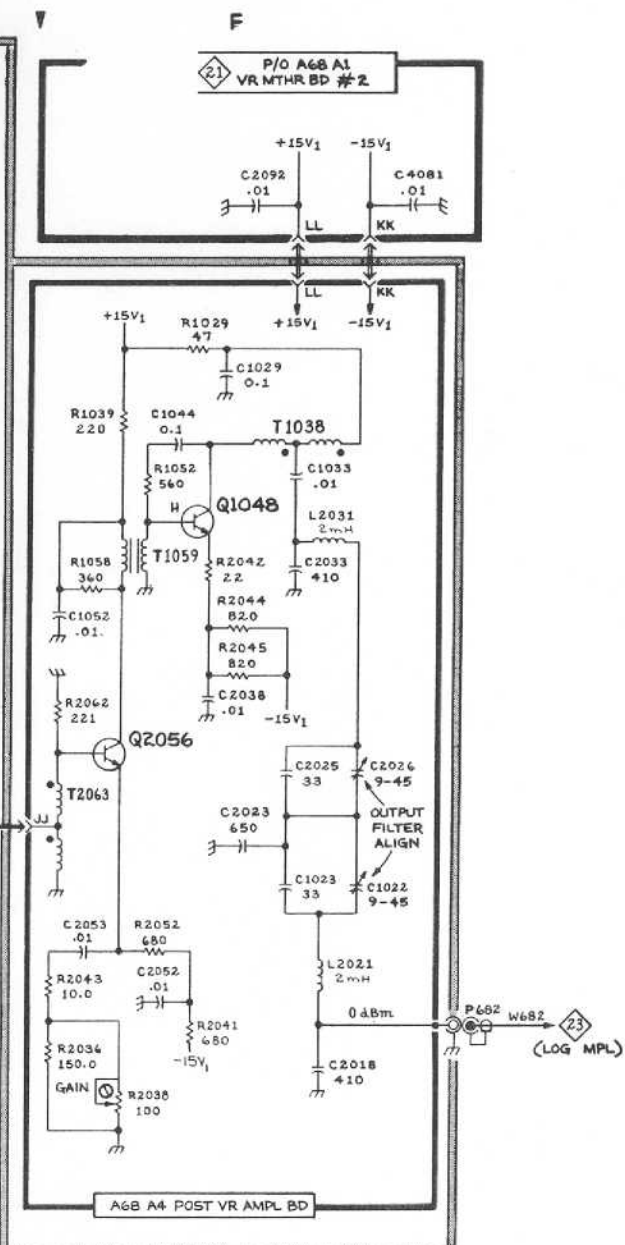
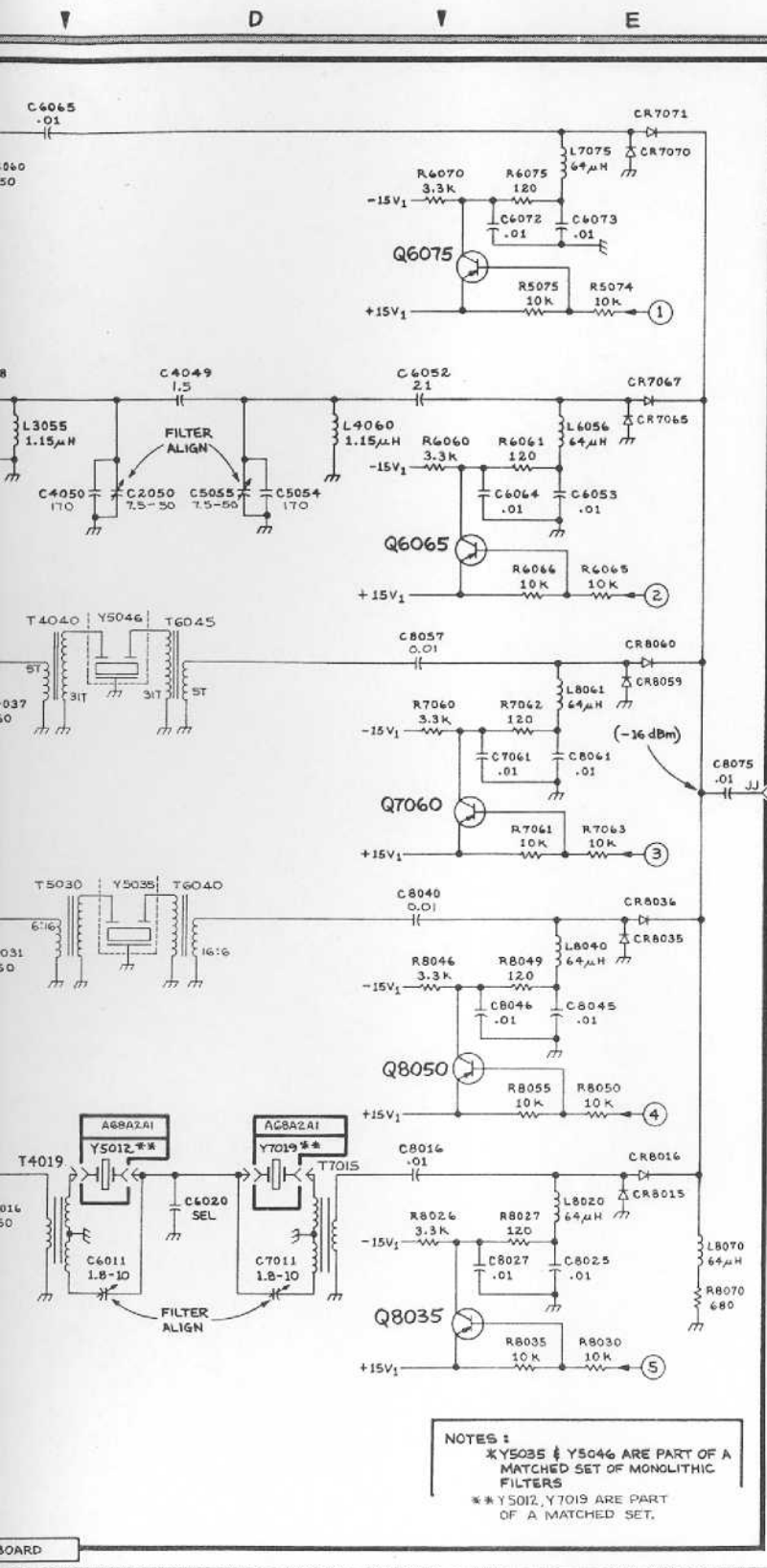


| BAND WIDTH | U3070 LOW PIN | D | C | B | A |
|------------|---------------|---|---|---|---|
| 1 MHz | 2 | 0 | 0 | 0 | 1 |
| 100 kHz | 3 | 0 | 0 | 1 | 0 |
| 10 kHz | 4 | 0 | 0 | 1 | 1 |
| 1 kHz | 5 | 0 | 1 | 0 | 0 |
| 100 Hz | 6 | 0 | 1 | 0 | 1 |
| 30 Hz | 7 | 0 | 1 | 1 | 0 |

A68 A2 VR 2nd FILTER SELECT BOARD

496/496P

3482-91
REV JUL 1982



COMPONENT NUMBER EXAMPLE

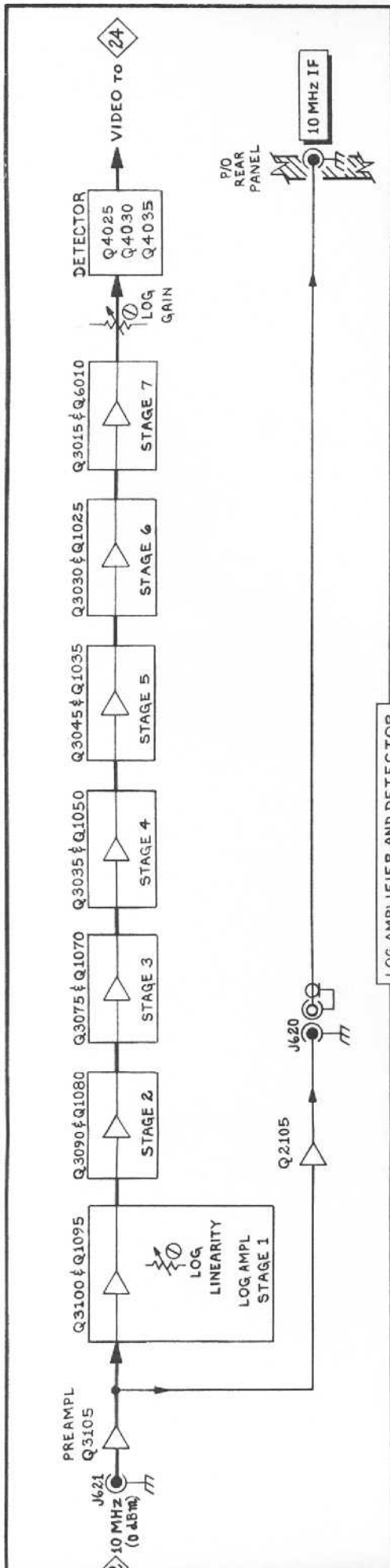
| | | | |
|------------------|------------------------------|------------------------|--------------|
| Component Number | | | |
| A23 | A2 | R1234 | |
| Assembly Number | Subassembly Number (if used) | Schematic Sheet Number | Drawn Number |

Cross-mounted components have no Assembly Number prefix—see end of Readable Electrical Parts List

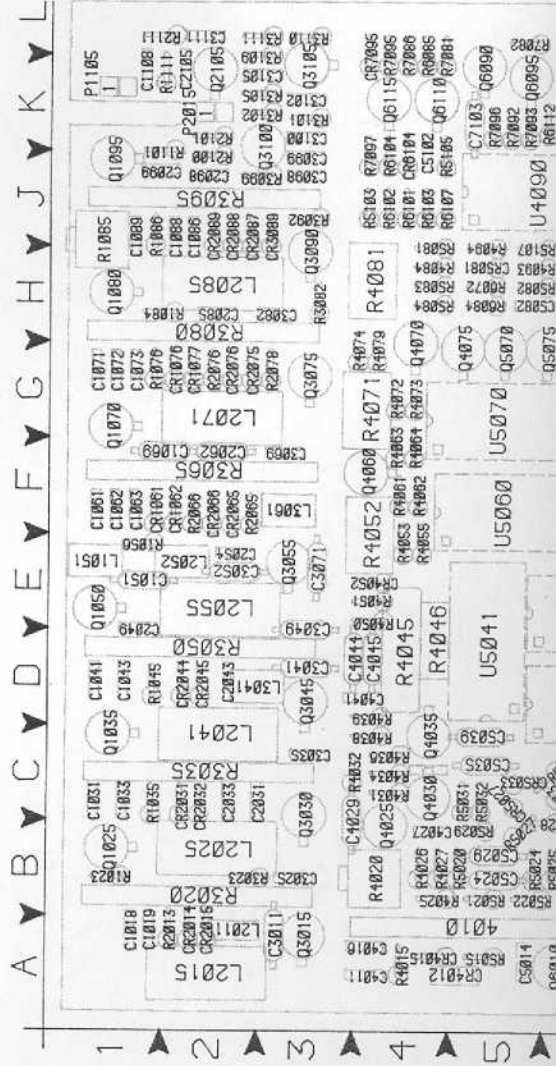
⊗ Static Sensitive Devices
See Maintenance Section

2 VARIABLE RESOLUTION (2ND FILTER & POST AMPL) 22

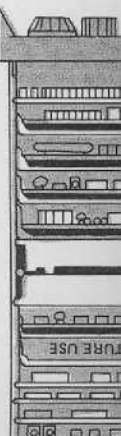
2 VARIABLE RESOLUTION



348A-164



LOG & VIDEO AMPLIFIER



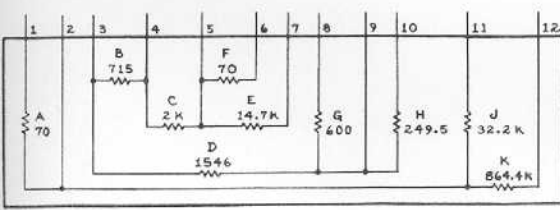
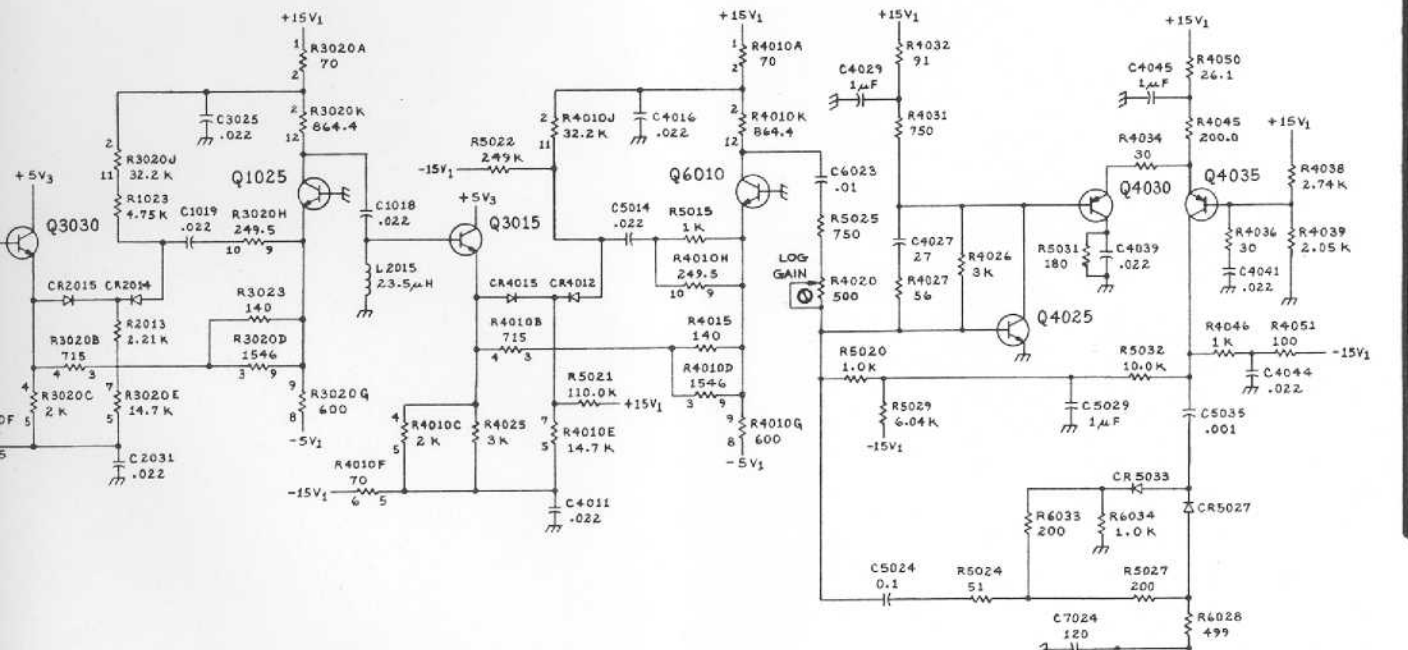
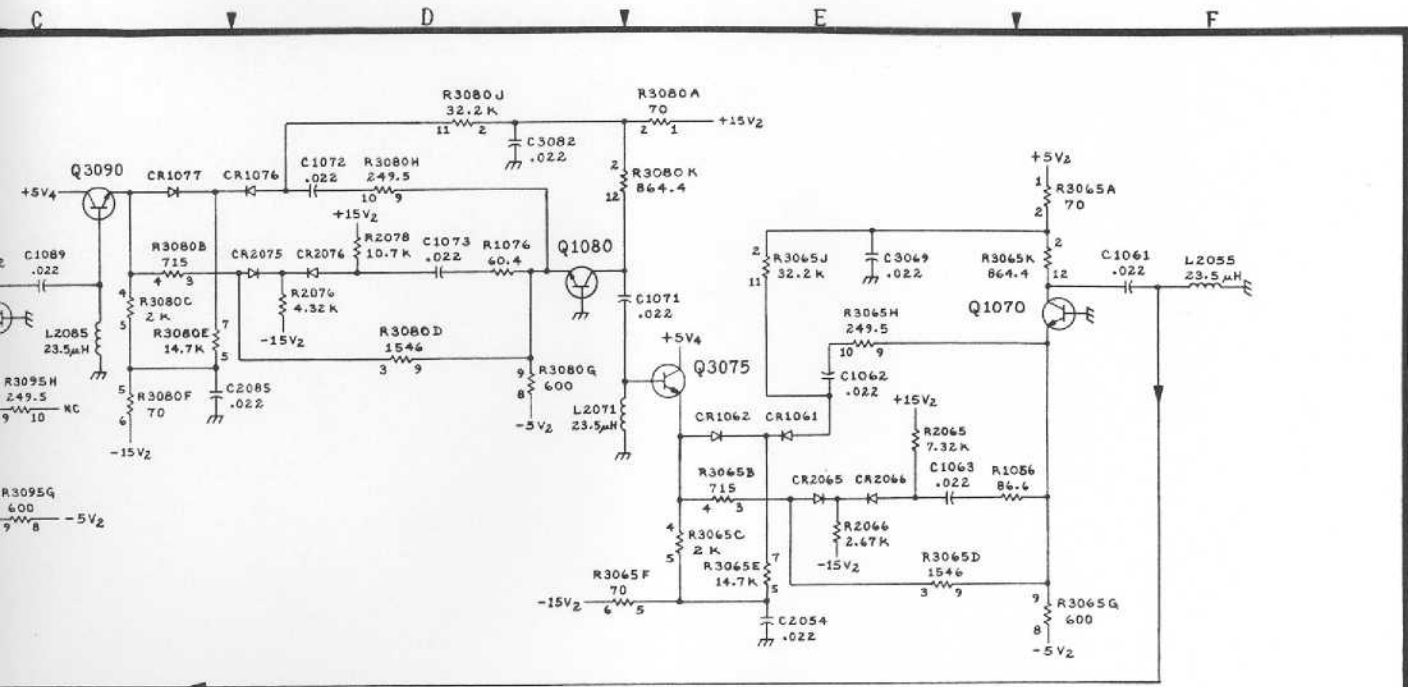
LOG AMPLIFIER AND DETECTOR DIAGRAM 23

ASSEMBLY A62

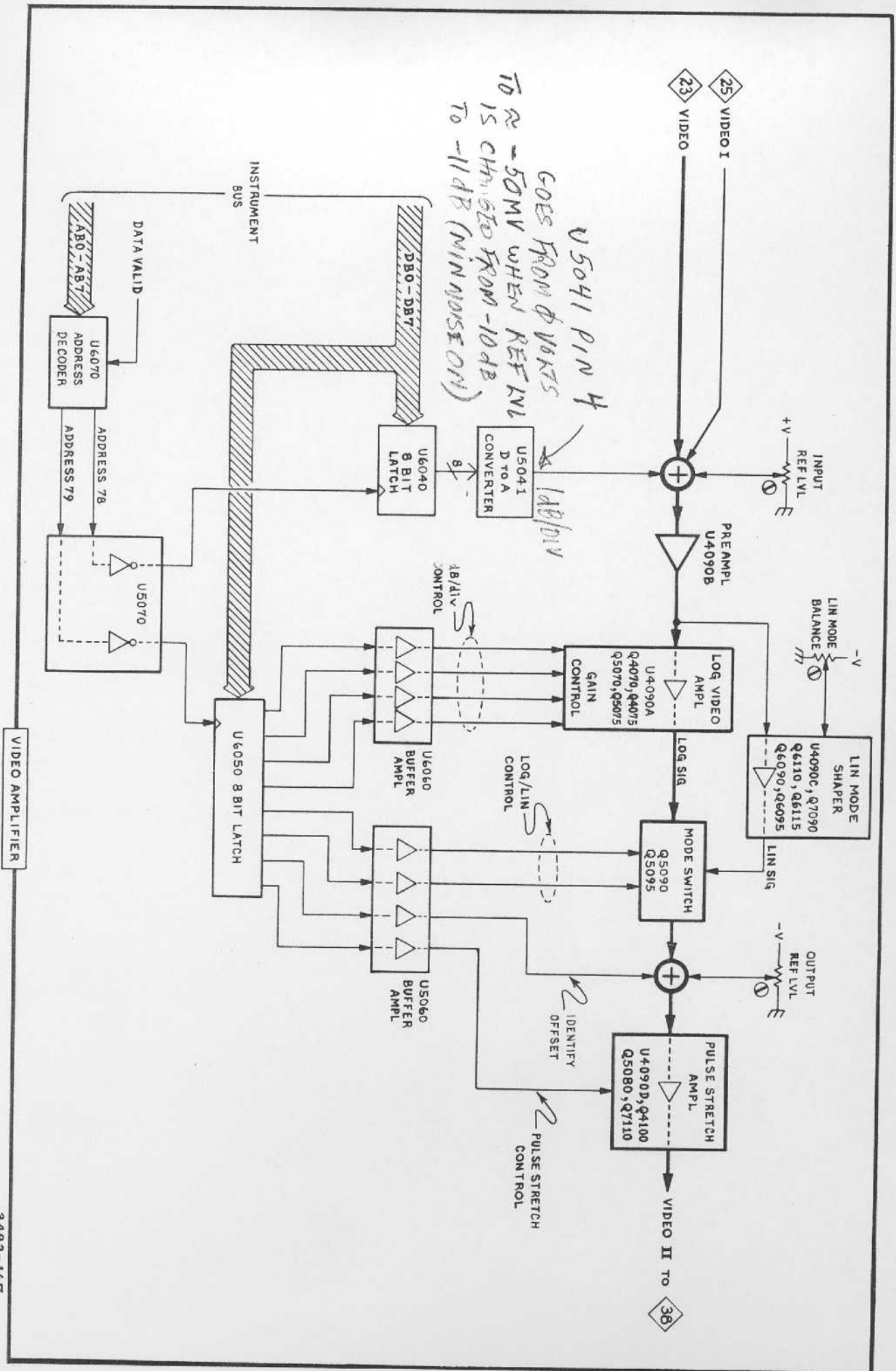
| CIRCUIT NUMBER | SCHEM LOCATION | BOARD LOCATION | CIRCUIT NUMBER | SCHEM LOCATION | BOARD LOCATION | CIRCUIT NUMBER | SCHEM LOCATION | BOARD LOCATION | CIRCUIT NUMBER | SCHEM LOCATION | BOARD LOCATION |
|----------------|----------------|----------------|----------------|----------------|----------------|----------------|----------------|----------------|----------------|----------------|----------------|
| C1018 | D3 | A1 | CR1061 | E2 | F1 | R1035 | B4 | C1 | R3080G | D2 | H2 |
| C1019 | C3 | A1 | CR1062 | E2 | F2 | R1045 | A3 | D1 | R3080H | D1 | H2 |
| C1031 | C3 | C1 | CR1076 | D1 | G2 | R1056 | E2 | E1 | R3080J | D1 | H2 |
| C1033 | B3 | C1 | CR1077 | C1 | G2 | R1076 | D1 | G1 | R3080K | E1 | H2 |
| C1041 | B3 | D1 | CR2014 | C4 | A2 | R1084 | C1 | H1 | R3082 | B2 | H3 |
| C1043 | A3 | D1 | CR2015 | C4 | A2 | R1085 | C2 | J1 | R3092 | B2 | J3 |
| C1051 | A5 | E1 | CR2031 | B4 | C2 | R1086 | C2 | J1 | R3095A | B1 | J2 |
| C1061 | F1 | F1 | CR2032 | B4 | C2 | R1101 | A1 | J1 | R3095B | B2 | J2 |
| C1062 | E2 | F1 | CR2044 | A3 | D2 | R1111 | A2 | K1 | R3095C | B2 | J2 |
| C1063 | E2 | F1 | CR2045 | A3 | D2 | R2013 | C4 | A2 | R3095D | C2 | J2 |
| C1069 | A5 | F1 | CR2065 | E2 | F2 | R2065 | E2 | F2 | R3095E | B2 | J2 |
| C1069 | A5 | F1 | CR2066 | E2 | F2 | R2066 | E2 | F2 | R3095F | B2 | J2 |
| C1071 | E1 | G1 | CR2075 | D1 | G2 | R2076 | D1 | G2 | R3095G | C2 | J2 |
| C1072 | D1 | G1 | CR2076 | D1 | G2 | R2078 | D1 | G3 | R3095H | C2 | J2 |
| C1073 | D1 | G1 | CR2076 | D2 | G2 | R2100 | A1 | J2 | R3095J | B1 | J2 |
| C1086 | C2 | J2 | CR2087 | C2 | J2 | R2101 | B2 | K2 | R3095K | C1 | J2 |
| C1088 | B2 | J2 | CR2088 | B2 | J2 | R2111 | A2 | K1 | R3099 | B1 | J2 |
| C1089 | C1 | J1 | CR2089 | B2 | J2 | R3020A | D3 | B2 | R3101 | A2 | K3 |
| C1108 | A2 | K1 | CR3089 | B2 | J3 | R3020B | C4 | B2 | R3102 | A1 | K2 |
| C2031 | C4 | C3 | CR4012 | D4 | A4 | R3020C | C4 | B2 | R3105 | A2 | K2 |
| C2033 | B4 | C2 | CR4015 | D4 | A4 | R3020D | D4 | B2 | R3109 | A2 | K2 |
| C2043 | A3 | D2 | CR5027 | F4 | B5 | R3020E | C4 | B2 | R3110 | A2 | K3 |
| C2049 | A3 | E1 | CR5033 | F4 | C5 | R3020F | C4 | B2 | R3111 | B2 | K2 |
| C2052 | A5 | E2 | | | | R3020G | D4 | B2 | R4010A | E3 | A5 |
| C2054 | E2 | E2 | L1051 | A5 | E1 | R3020J | C3 | B2 | R4010B | D4 | A5 |
| C2062 | A5 | F2 | L2011 | A4 | A2 | R3020K | D3 | B2 | R4010C | D4 | A5 |
| C2085 | C2 | H2 | L2015 | D4 | A2 | R3023 | D4 | B3 | R4010D | E4 | A5 |
| C2098 | B2 | J2 | L2025 | C4 | B2 | R3035A | C3 | C2 | R4010E | D4 | A5 |
| C2099 | A1 | J1 | L2041 | B4 | C2 | R3035B | B4 | C2 | R4010F | D4 | A5 |
| C2106 | A2 | K2 | L2052 | A5 | E2 | R3035C | B4 | C2 | R4010G | E4 | A5 |
| C3011 | A4 | A3 | L2055 | F1 | E2 | R3035D | B4 | C2 | R4010H | E4 | A5 |
| C3025 | C3 | B3 | L2071 | D2 | G2 | R3035E | B4 | C2 | R4010J | D3 | A5 |
| C3035 | B3 | C3 | L2085 | C1 | H2 | R3035F | B4 | C2 | R4010K | E3 | A5 |
| C3041 | A4 | D3 | L3041 | A4 | D2 | R3035G | B4 | C2 | R4015 | E4 | A2 |
| C3049 | A5 | E3 | L3061 | A5 | F3 | R3035G | C4 | C2 | R4025 | D4 | A3 |
| C3069 | E1 | F3 | L6011 | F5 | B6 | R3035H | B3 | C2 | R4026 | E4 | A2 |
| C3071 | A5 | E3 | L8021 | F5 | B8 | R3035J | B3 | C2 | R4027 | E4 | A3 |
| C3082 | D1 | H3 | | | | R3035K | C3 | C2 | R4031 | E3 | B2 |
| C3098 | B1 | J3 | P1105 | A2 | K1 | R3050A | B3 | D2 | R4032 | E3 | B2 |
| C3099 | B1 | J3 | P2105 | A2 | K2 | R3050B | A3 | D2 | R4034 | F3 | C4 |
| C3100 | B1 | K3 | | | | R3050C | A3 | D2 | R4036 | F4 | B2 |
| C3102 | A1 | K3 | Q1025 | D3 | B1 | R3050D | A3 | D2 | R4038 | F3 | B2 |
| C3105 | A2 | K2 | Q1035 | C3 | C1 | R3050E | A3 | D2 | R4039 | F4 | B2 |
| C3111 | A2 | K2 | Q1050 | A3 | E1 | R3050F | A3 | D2 | R4045 | F3 | B2 |
| C4011 | D4 | A4 | Q1070 | E1 | G1 | R3050H | A3 | D2 | R4046 | F4 | B2 |
| C4016 | E3 | A4 | Q1070 | F1 | G1 | R3050J | A3 | D2 | R4050 | F3 | C2 |
| C4027 | E3 | B4 | Q1080 | D1 | H1 | R3050K | B3 | D2 | R4051 | F4 | C2 |
| C4029 | E3 | B4 | Q1095 | C1 | J1 | R3065A | F1 | F2 | R5015 | E3 | A3 |
| C4039 | F4 | A4 | Q2105 | A2 | K2 | R3065B | E2 | F2 | R5020 | E4 | A3 |
| C4041 | F4 | D4 | Q3015 | D3 | A3 | R3065C | E2 | F2 | R5021 | D4 | A3 |
| C4044 | F4 | D4 | Q3030 | C3 | C3 | R3065D | E2 | F2 | R5022 | D3 | A3 |
| C4045 | F3 | D4 | Q3045 | B4 | D3 | R3065E | E2 | F2 | R5024 | E5 | A3 |
| C5014 | D3 | A5 | Q3055 | A3 | E3 | R3065F | D2 | F2 | R5025 | E4 | A3 |
| C5024 | E5 | B5 | Q3075 | E2 | G3 | R3065G | F2 | F2 | R5027 | F5 | B3 |
| C5029 | F4 | B5 | Q3090 | C1 | H3 | R3065H | E1 | F2 | R5029 | E4 | B3 |
| C5029 | F4 | B5 | Q3100 | B1 | K2 | R3065J | E1 | F2 | R5031 | F4 | B3 |
| C5035 | F4 | C5 | Q3105 | A1 | K3 | R3065K | F1 | F2 | R5032 | F4 | B3 |
| C6021 | F5 | B6 | Q4025 | F4 | B4 | R3080A | E1 | H2 | R6028 | F5 | A3 |
| C6023 | E3 | B6 | Q4030 | F3 | C4 | R3080B | C1 | H2 | R6033 | F4 | B3 |
| C7011 | F5 | B7 | Q4035 | F3 | C4 | R3080C | C1 | H2 | R6034 | F4 | B3 |
| C7014 | F5 | A7 | Q6010 | E3 | A6 | R3080D | D2 | H2 | R6081 | F5 | D3 |
| C7021 | F5 | B7 | | | | R3080E | C1 | H2 | | | |
| C7024 | F5 | B7 | R1023 | C3 | B1 | R3080F | C2 | H2 | | | |

Partial A62 also shown on diagram 24

195

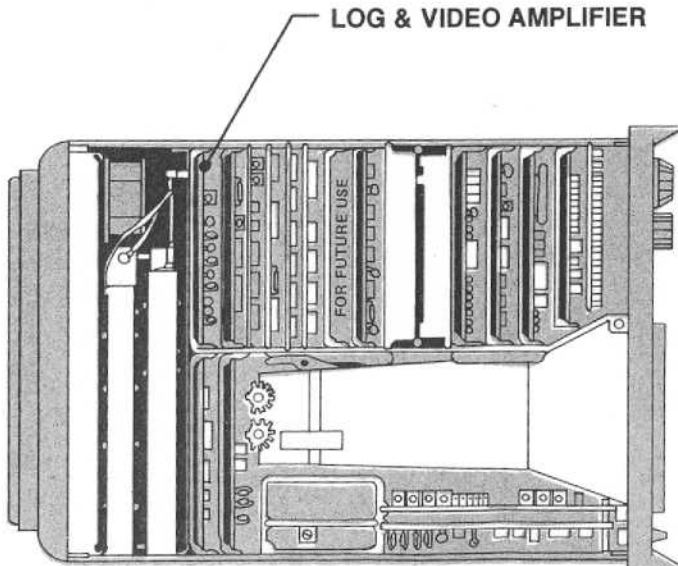


RESISTOR PACKS
 R3020, R3035,
 R3050, R3065,
 R3080, R3095,
 AND R4010.



VIDEO AMPLIFIER

REFER TO PRECEDING PAGE
FOR CIRCUIT BOARD DOLLY



LOG & VIDEO AMPLIFIER

FOR FUTURE USE

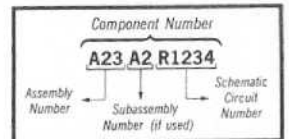
3482-168

@

199

 Static Sensitive Devices
See Maintenance Section

COMPONENT NUMBER EXAMPLE



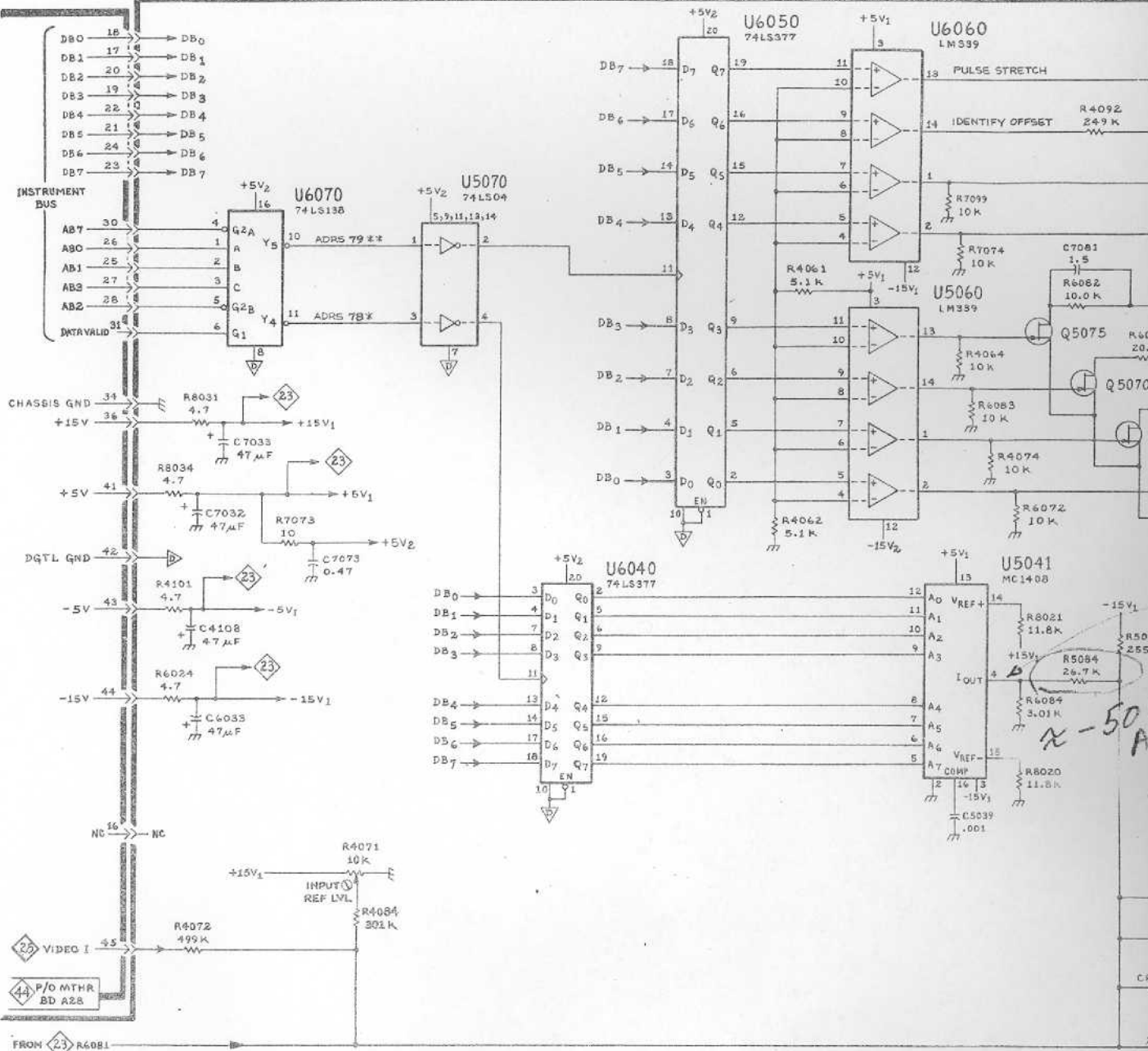
Chassis-mounted components have no Assembly Number prefix—see end of Replaceable Electrical Parts List.

VIDEO AMPLIFIER DIAGRAM 24

ASSEMBLY A62

| CIRCUIT NUMBER | SCHEM LOCATION | BOARD LOCATION | CIRCUIT NUMBER | SCHEM LOCATION | BOARD LOCATION | CIRCUIT NUMBER | SCHEM LOCATION | BOARD LOCATION | CIRCUIT NUMBER | SCHEM LOCATION | BOARD LOCATION |
|----------------|----------------|----------------|----------------|----------------|----------------|----------------|----------------|----------------|----------------|----------------|----------------|
| C4108 | A3 | H7 | Q6110 | E3 | K4 | R5105 | E5 | J4 | R7086 | E4 | K4 |
| C5039 | C4 | C5 | Q6115 | E4 | K4 | R5107 | D5 | J5 | R7087 | F3 | H7 |
| C5082 | D4 | H5 | Q7110 | F1 | K8 | R5108 | E1 | K7 | R7092 | E3 | K5 |
| C5101 | E2 | K6 | | | | R6024 | A3 | B6 | R7093 | E3 | K5 |
| C5102 | E4 | J4 | R4052 | E5 | E4 | R6072 | C3 | H5 | R7095 | E4 | K4 |
| C6033 | A3 | C6 | R4064 | C2 | F4 | R6073 | D2 | G6 | R7096 | E3 | K5 |
| C7032 | A3 | C7 | R4071 | A4 | G4 | R6074 | D2 | H6 | R7097 | E4 | J4 |
| C7033 | A2 | C7 | R4072 | A4 | G4 | R6082 | C2 | H6 | R7099 | C1 | G6 |
| C7073 | A3 | G6 | R4074 | C2 | G3 | R6083 | C2 | G7 | R7102 | E1 | K8 |
| C7081 | C2 | H6 | R4081 | E1 | H4 | R6084 | C3 | H5 | R8020 | C4 | B8 |
| C7102 | D5 | J6 | R4084 | A4 | H4 | R6085 | C4 | K4 | R8021 | C3 | B8 |
| C7103 | D5 | K5 | R4085 | D4 | J6 | R6101 | D5 | J4 | R8031 | A2 | C8 |
| C7104 | F1 | J8 | R4091 | E1 | J7 | R6102 | E5 | J4 | R8034 | A2 | C8 |
| | | | R4092 | C1 | J7 | R6103 | D5 | J4 | | | |
| CR5081 | D4 | H5 | R4093 | D4 | H5 | R6104 | E4 | J4 | TP7091 | F3 | J8 |
| CR5101 | E2 | K7 | R4094 | D4 | J5 | R6107 | D5 | J4 | | | |
| CR6104 | E4 | J4 | R4095 | D4 | J6 | R6108 | D2 | K6 | U4090A | D5 | J5 |
| CR7095 | E4 | K4 | R4096 | E2 | K6 | R6109 | D5 | H7 | U4090B | D3 | J5 |
| CR7101 | E2 | K8 | R4101 | A3 | H7 | R6111 | D5 | J6 | U4090C | E1 | J5 |
| | | | R4102 | F2 | J7 | R6112 | D5 | K5 | U4090D | E5 | J5 |
| Q4070 | D2 | G4 | R4103 | D4 | H6 | R6113 | E5 | K6 | U5041 | C3 | D5 |
| Q4075 | D2 | G4 | R5081 | D5 | J4 | R6114 | F3 | J7 | U5060 | C2 | F5 |
| Q4100 | F1 | J8 | R5082 | D4 | H5 | R7071 | D2 | H6 | U5070 | A1 | G5 |
| Q5070 | D2 | G5 | R5083 | D3 | H4 | R7072 | D2 | H7 | U6040 | B3 | D6 |
| Q5075 | C2 | G5 | R5084 | C3 | H4 | R7073 | A3 | G6 | U6050 | B1 | E6 |
| Q5090 | D1 | J6 | R5086 | F2 | K8 | R7074 | C1 | G7 | U6060 | C1 | F7 |
| Q5095 | D1 | K6 | R5101 | E2 | J7 | R7081 | E3 | K4 | U6070 | A1 | G7 |
| Q6090 | E3 | K5 | R5102 | E2 | K6 | R7082 | E3 | K5 | | | |
| Q6095 | E2 | K5 | R5103 | E5 | J4 | R7085 | E2 | K6 | | | |

Partial A62 also shown on diagram 23



COMPONENT NUMBER EXAMPLE

| Component Number | |
|------------------|------------------------------|
| A23A2R1233 | |
| Assembly Number | Subassembly Number (if used) |
| Schematic Number | Detail Number |

Unless indicated components have no Assembly Number prefix—see end of Manufacturer's Data Sheet.

**** MODE: ADDRESS 79**
 DATA: FULL SCREEN (FS) SIGNAL - 0X
 LINEAR MODE - - - - - 1X
 LOG MODE - - - - - 2X
 WHERE N = LOG DISPLAY IN dB/DIV 1 ≤ N ≤ F

*** POST VR GAIN: ADDRESS 78**
 DATA: OFFSET EQUIVALENT TO 2 HEX DIGITS OF
 IF GAIN IN 1/4 dB STEPS (0 - 63 3/4)

USEFUL CODES:

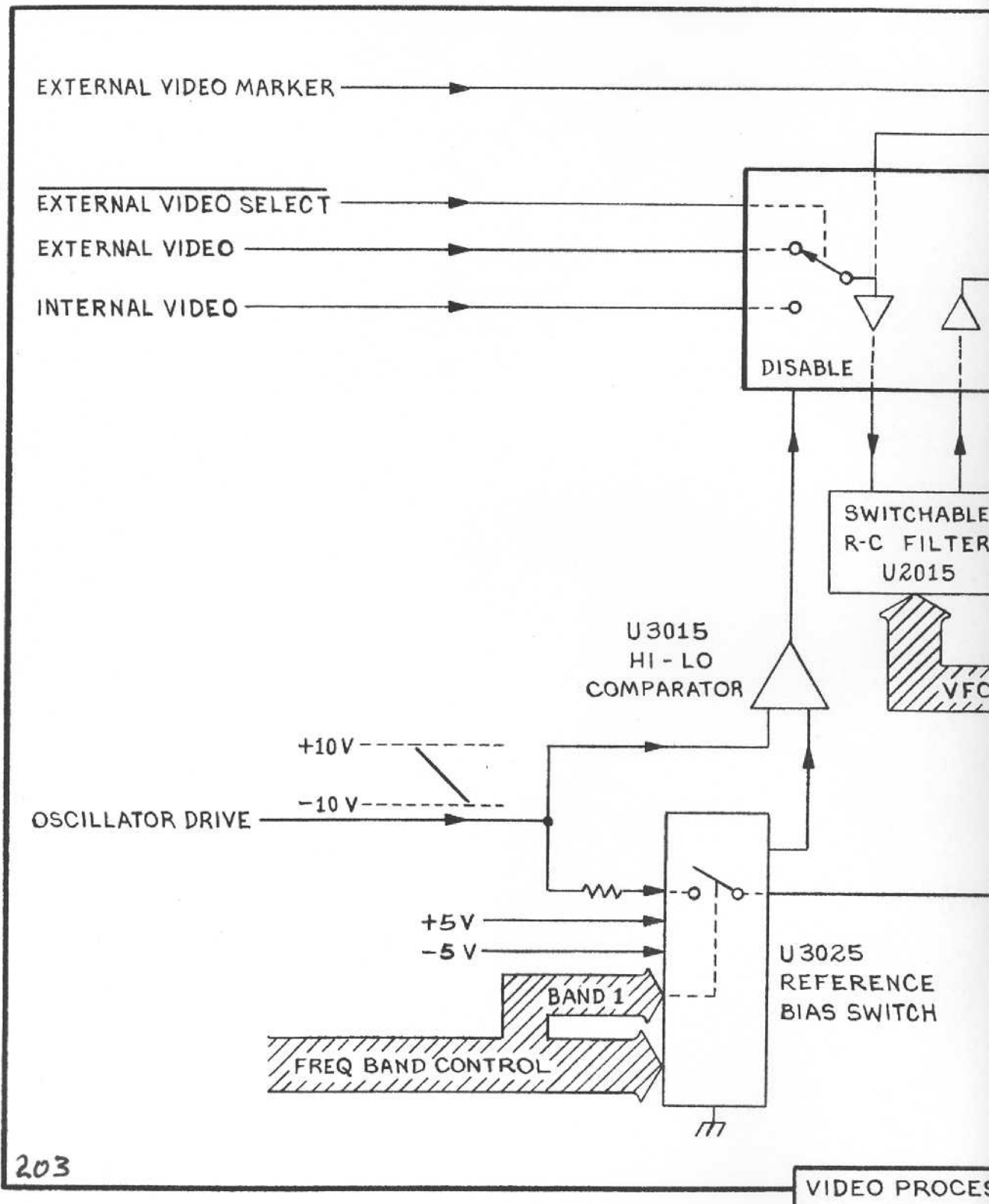
| | |
|-----------|-----------|
| 0 dB: 00 | 40 dB: A0 |
| 10 dB: 28 | 50 dB: C8 |
| 20 dB: 50 | 60 dB: F0 |
| 30 dB: 78 | |

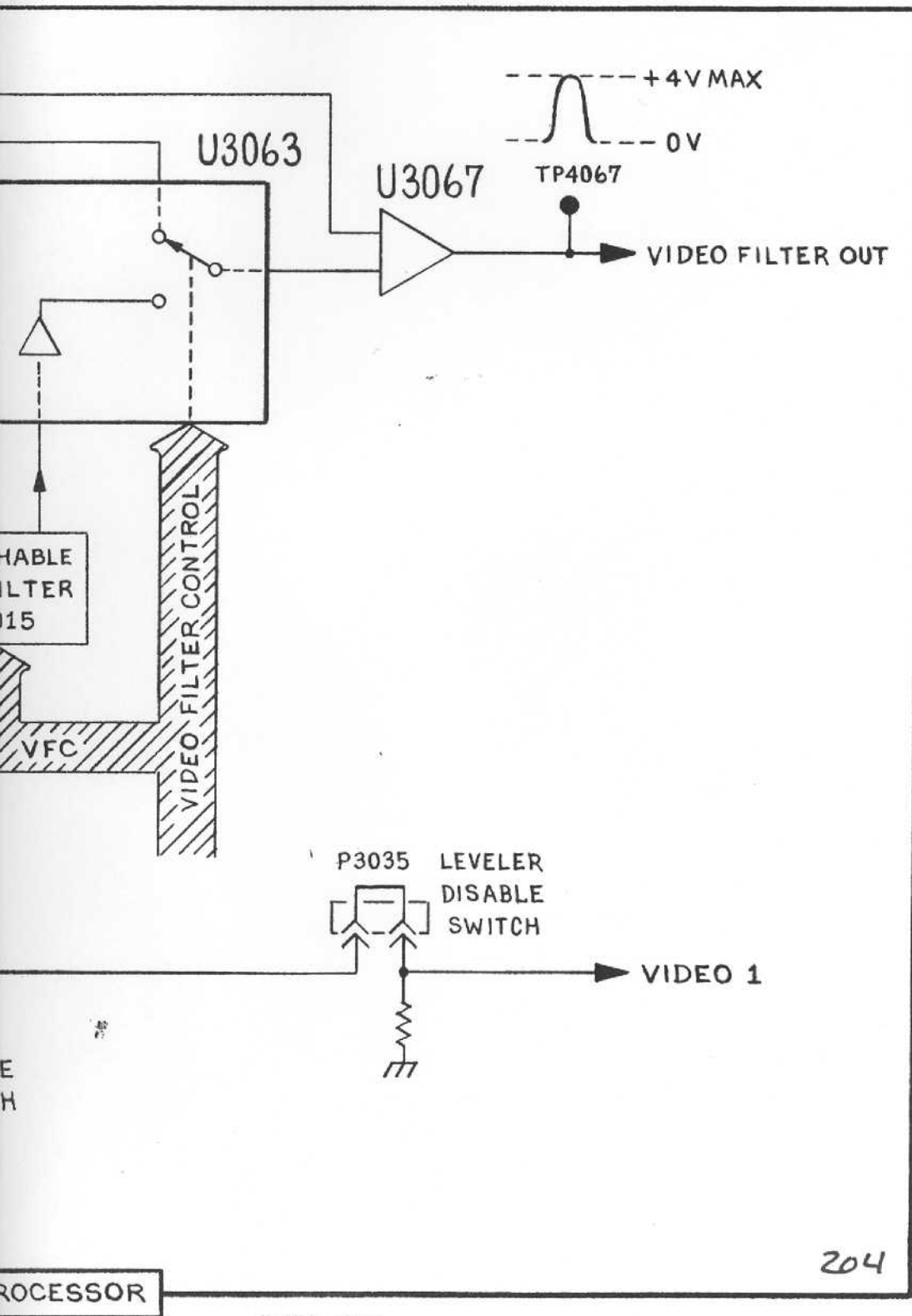
201

496/496P

@ 3482 - 93

P/O A62 LOG & VIDEO AM

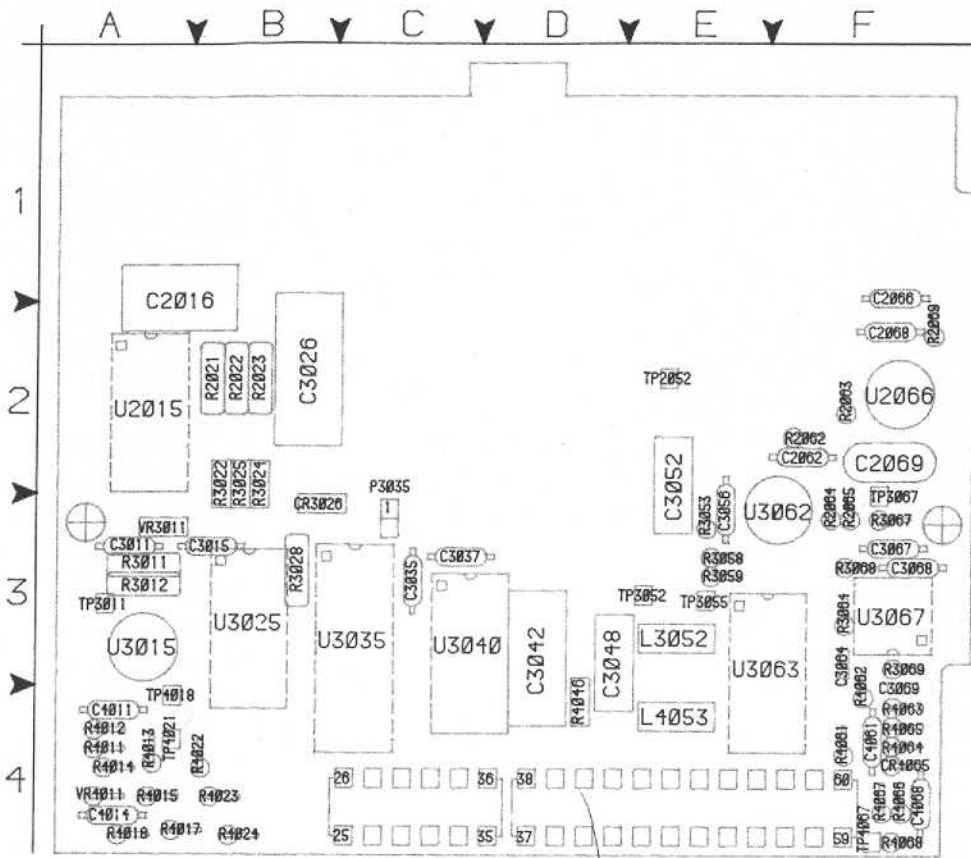




670-6956-00

204

3482-169

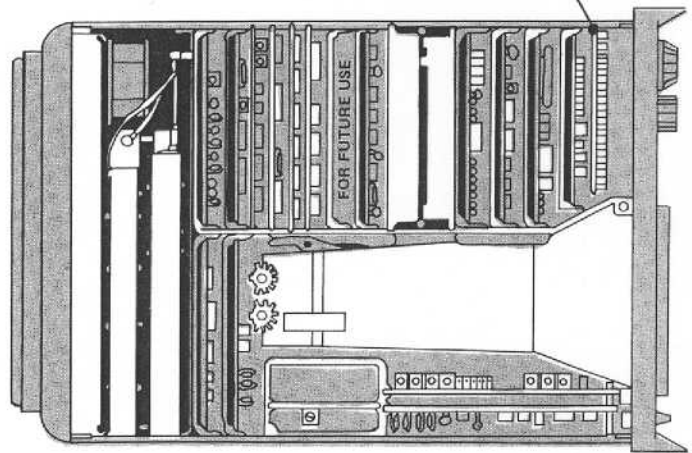


0-6956-00

Fig. 8-26 A40 VIDEO PROCESSOR Circuit Board

3482-170

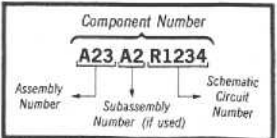
VIDEO PROCESSOR



205

Static Sensitive Devices
See Maintenance Section

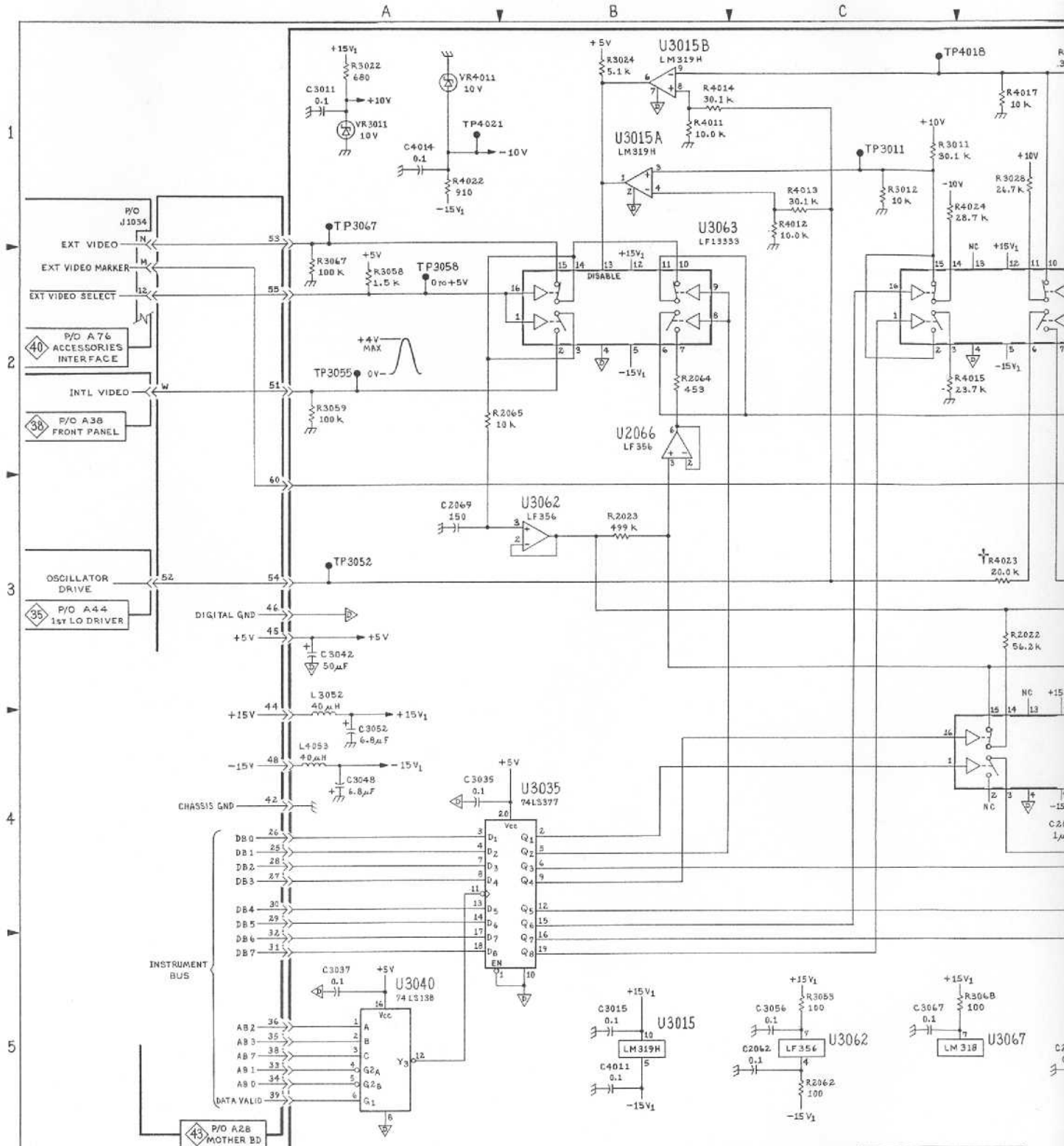
COMPONENT NUMBER EXAMPLE



Chassis-mounted components have no Assembly Number prefix—the end of Replaceable Electrical Part

ASSEMBLY A40

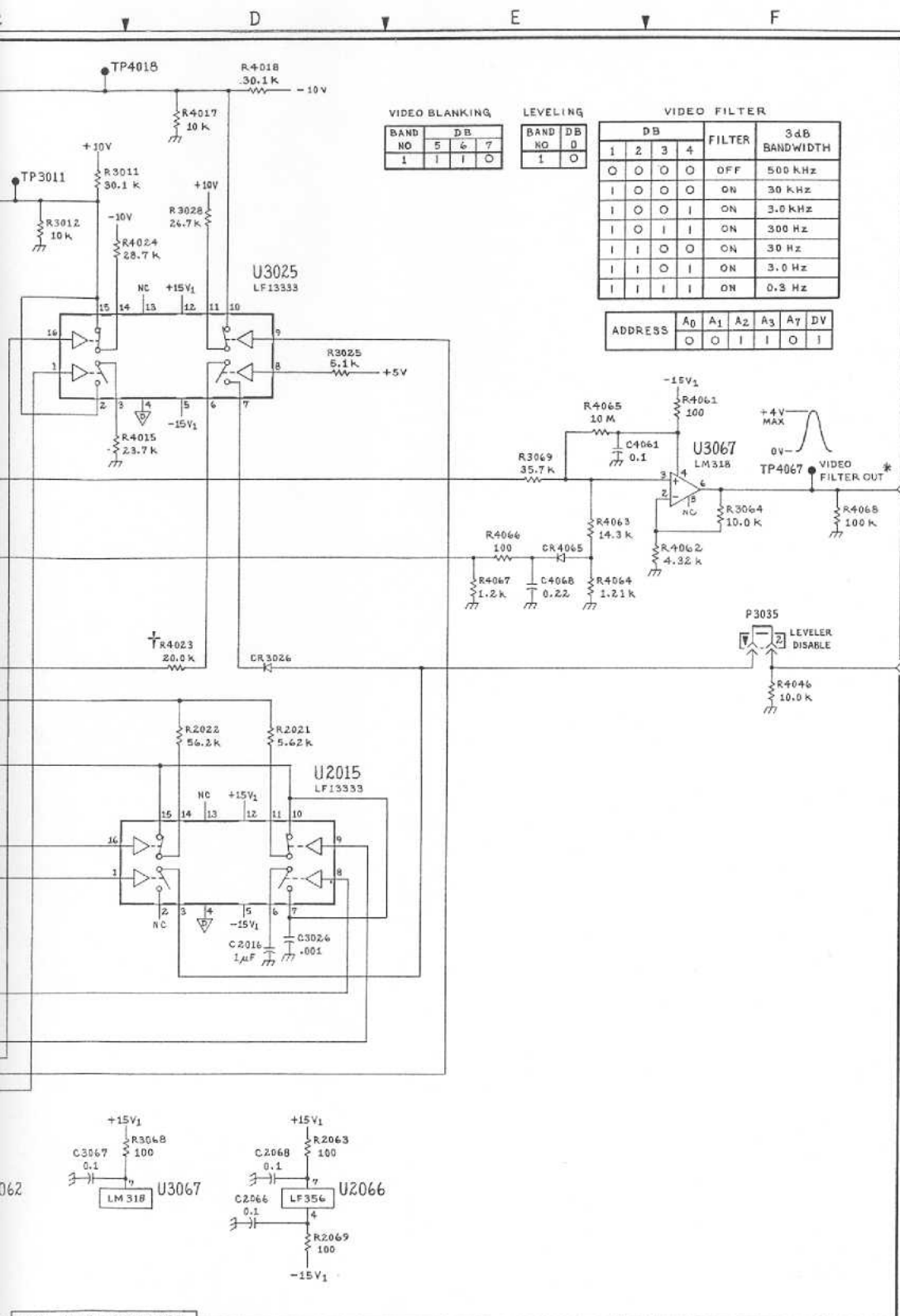
| CIRCUIT NUMBER | SCHEM LOCATION | BOARD LOCATION | CIRCUIT NUMBER | SCHEM LOCATION | BOARD LOCATION | CIRCUIT NUMBER | SCHEM LOCATION | BOARD LOCATION |
|----------------|----------------|----------------|----------------|----------------|----------------|----------------|----------------|----------------|
| C2016 | D4 | A2 | R2063 | D5 | F2 | R4065 | E2 | F2 |
| C2062 | C5 | F2 | R2064 | B2 | F3 | R4066 | E2 | F4 |
| C2066 | D5 | F2 | R2065 | B2 | F3 | R4067 | E3 | F4 |
| C2068 | D5 | F2 | R2069 | D5 | F2 | R4068 | F2 | F4 |
| C2069 | A3 | F2 | R3011 | C1 | A3 | | | |
| C3011 | A1 | A3 | R3012 | C1 | A3 | TP3011 | C1 | A3 |
| C3015 | B5 | B3 | R3022 | A1 | B3 | TP3052 | A3 | E3 |
| C3026 | D4 | B2 | R3024 | B1 | B3 | TP3055 | A2 | E3 |
| C3035 | A4 | C3 | R3025 | D2 | B3 | TP3058 | A2 | F3 |
| C3037 | A5 | C3 | R3028 | D1 | B3 | TP3067 | A1 | F3 |
| C3042 | A3 | D4 | R3053 | C5 | E3 | TP4018 | C1 | A4 |
| C3048 | A4 | D4 | R3058 | A2 | E3 | TP4021 | A1 | A4 |
| C3052 | A4 | E3 | R3059 | A2 | E3 | TP4067 | F2 | F4 |
| C3056 | C5 | E3 | R3064 | F2 | F3 | | | |
| C3067 | C5 | F3 | R3067 | A2 | F3 | U2015 | D3 | A2 |
| C4011 | B5 | A4 | R3068 | D5 | F3 | U2066 | B2 | F2 |
| C4014 | A1 | A4 | R3069 | E2 | F3 | U2066 | D5 | F2 |
| C4061 | E2 | F4 | R4011 | B1 | A4 | U3015A | B1 | A3 |
| C4068 | E3 | F4 | R4012 | C1 | A4 | U3015B | B1 | A3 |
| | | | R4013 | C1 | A4 | U3015 | B5 | A3 |
| CR3026 | D3 | B3 | R4014 | B1 | A4 | U3025 | D1 | B3 |
| CR4065 | E3 | F4 | R4015 | D2 | A4 | U3035 | B4 | C3 |
| | | | R4017 | D1 | A4 | U3040 | A5 | C3 |
| L3052 | A3 | E3 | R4018 | D1 | A4 | U3062 | B3 | E3 |
| L4053 | A4 | E4 | R4022 | A1 | A4 | U3062 | C5 | E3 |
| | | | R4023 | D3 | B4 | U3063 | B1 | E3 |
| P3035 | F3 | C3 | R4024 | D1 | B4 | U3067 | D5 | F3 |
| | | | R4046 | F3 | D4 | U3067 | F2 | F3 |
| R2021 | D3 | B2 | R4061 | F2 | F4 | | | |
| R2022 | D3 | B2 | R4062 | F3 | F3 | VR3011 | A1 | A3 |
| R2023 | B3 | B2 | R4063 | E2 | F4 | VR4011 | A1 | A4 |
| R2062 | C5 | F2 | R4064 | E3 | F4 | | | |



207

496/496P

A40 VIDEO PROCESSOR



VIDEO BLANKING

| BAND NO | 5 | 6 | 7 |
|---------|---|---|---|
| 1 | 1 | 1 | 0 |

LEVELING

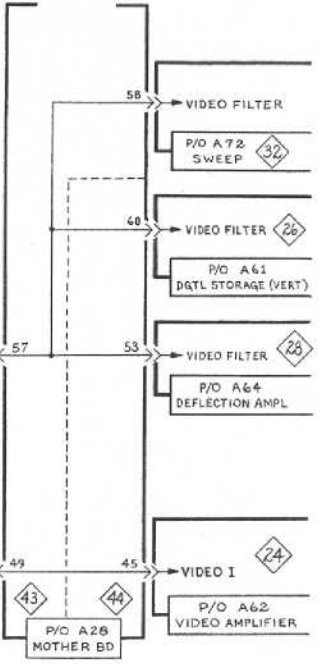
| BAND NO | DB |
|---------|----|
| 1 | 0 |

VIDEO FILTER

| DB | | | | FILTER | 3dB BANDWIDTH |
|----|---|---|---|--------|---------------|
| 1 | 2 | 3 | 4 | | |
| 0 | 0 | 0 | 0 | OFF | 500 kHz |
| 1 | 0 | 0 | 0 | ON | 30 kHz |
| 1 | 0 | 0 | 1 | ON | 3.0 kHz |
| 1 | 0 | 1 | 1 | ON | 300 Hz |
| 1 | 1 | 0 | 0 | ON | 30 Hz |
| 1 | 1 | 0 | 1 | ON | 3.0 Hz |
| 1 | 1 | 1 | 1 | ON | 0.3 Hz |

ADDRESS

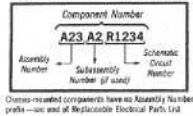
| A0 | A1 | A2 | A3 | A7 | DV |
|----|----|----|----|----|----|
| 0 | 0 | 1 | 1 | 0 | 1 |



NOTES:

- * ISOLATION BETWEEN "INTL VIDEO" AND "EXT VIDEO" INPUTS AT "VIDEO FILTER OUT" IS APPROXIMATELY 30 dB AT 500 KHZ.
- † R4023 IS SELECTABLE, (NOM. VALUE 20.0 K) TO MINIMIZE UNFLATNESS DUE TO ROLLOFF. REFER TO MAINT INSTRUCTIONS.

COMPONENT NUMBER EXAMPLE



Changes reserved; components have no Assembly Number prefix—see end of Miscellaneous Electrical Parts List.

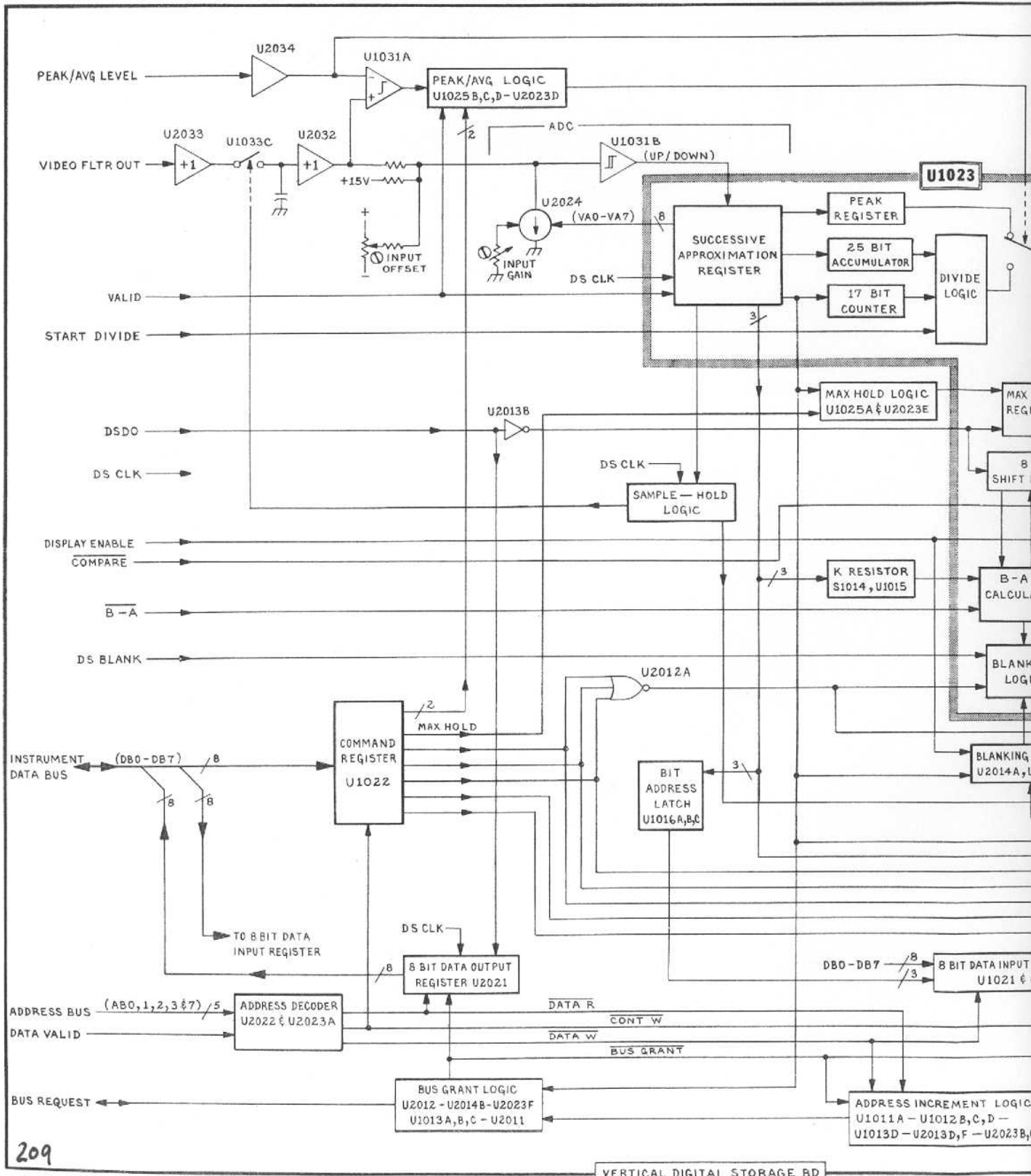
208

A40 VIDEO PROCESSOR

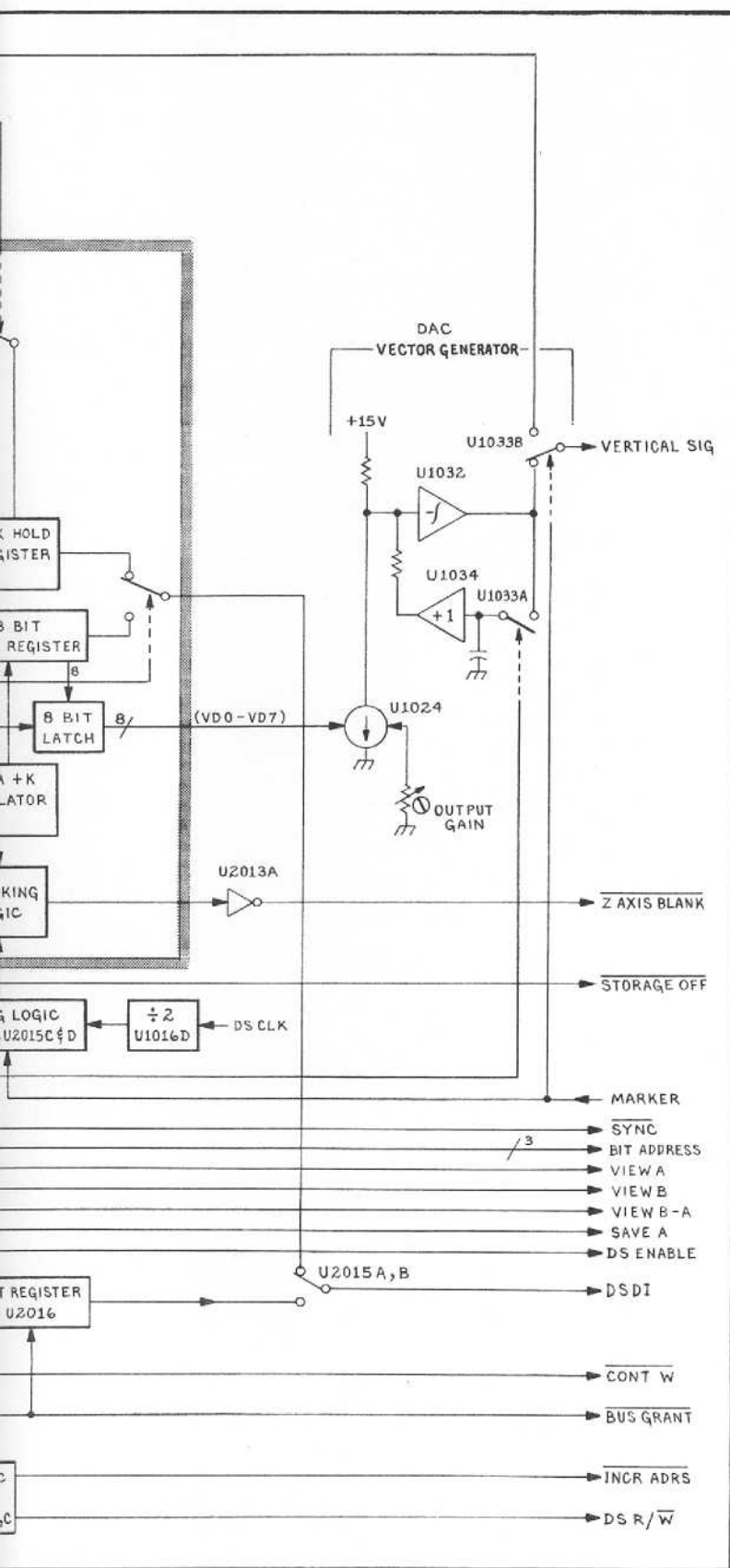
34 82 - 94

Static Sensitive Devices See Maintenance Section

VIDEO PROCESSOR 25 JAN

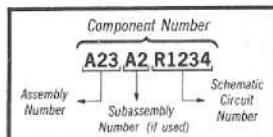


209



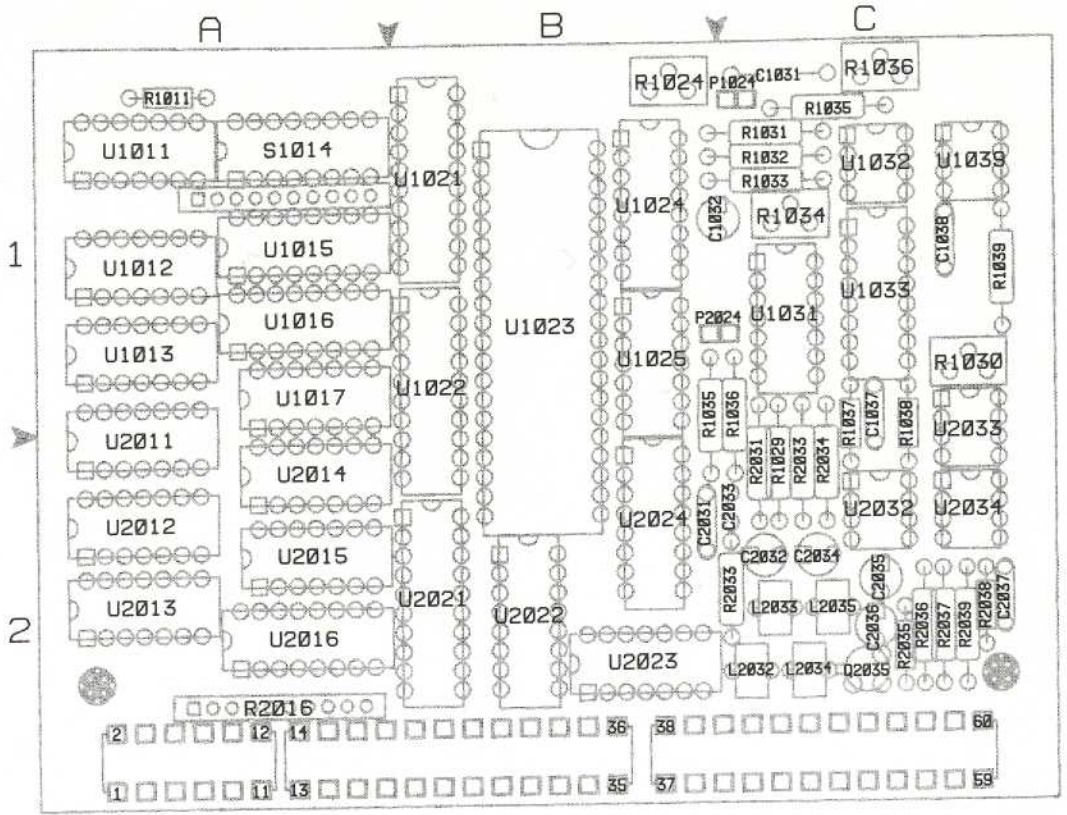
 Static Sensitive Devices
See Maintenance Section

COMPONENT NUMBER EXAMPLE



Chassis-mounted components have no Assembly Number prefix—see end of Replaceable Electrical Parts List.

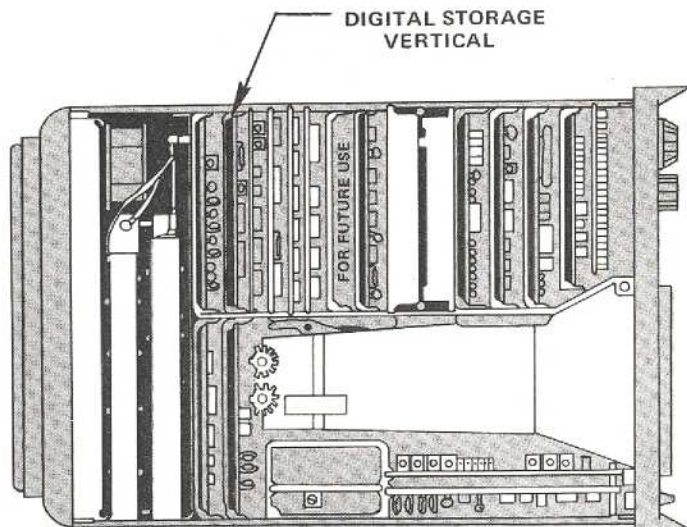
210



670-5554-

Fig. 8-27 A61—Digital Storage Vertical circuit board.

3482-173

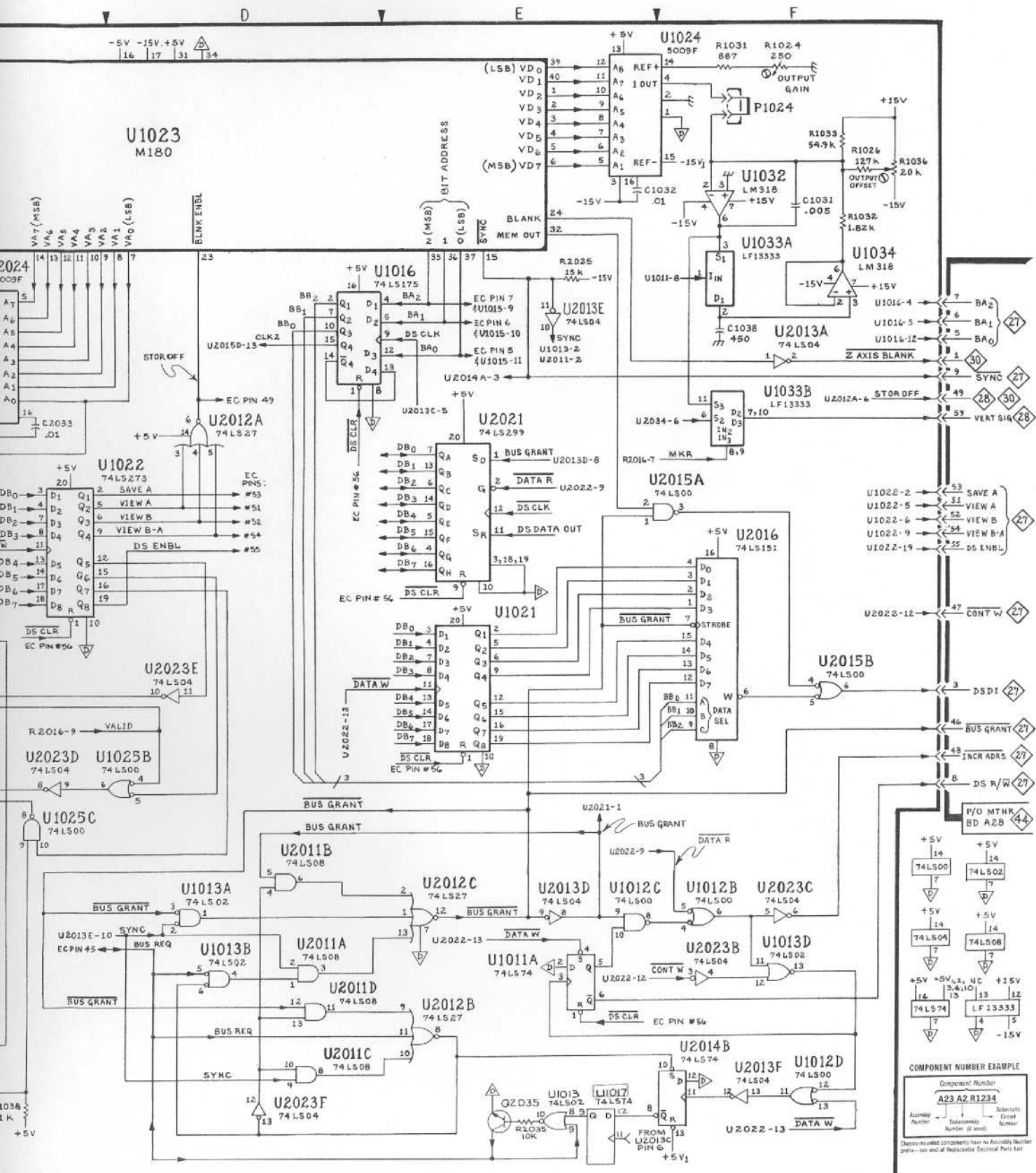


3482-174

ASSEMBLY A61

| CIRCUIT NUMBER | SCHEM LOCATION | BOARD LOCATION | CIRCUIT NUMBER | SCHEM LOCATION | BOARD LOCATION | CIRCUIT NUMBER | SCHEM LOCATION | BOARD LOCATION |
|----------------|----------------|----------------|----------------|----------------|----------------|----------------|----------------|----------------|
| C1031 | F1 | C1 | R2016 | B2 | A2 | U1033A | F2 | C1 |
| C1032 | E1 | C1 | R2031 | C2 | C2 | U1033B | F2 | C1 |
| C1037 | B5 | C2 | R2032 | A4 | B1 | U1033C | B5 | C1 |
| C1038 | F2 | C1 | R2033 | C5 | C2 | U1034 | F2 | C1 |
| C2031 | A4 | C2 | R2034 | C5 | C2 | U2011A | D5 | A2 |
| C2032 | A5 | C2 | R2035 | E5 | C2 | U2011B | D4 | A2 |
| C2033 | C2 | C2 | R2036 | A5 | C2 | U2011C | D5 | A2 |
| C2034 | A4 | C2 | R2037 | A5 | C2 | U2011D | D5 | A2 |
| C2035 | A4 | C2 | R2038 | A5 | C2 | U2012A | D2 | A2 |
| C2036 | A4 | C2 | R2039 | A5 | C2 | U2012B | E5 | A2 |
| C2037 | A5 | C2 | | | | U2012C | E5 | A2 |
| | | | S1014 | A1 | A1 | U2013 | F2 | A2 |
| L2032 | A4 | C2 | | | | U2013B | B1 | A2 |
| L2033 | A4 | C2 | U1011A | E5 | A1 | U2013C | A3 | A2 |
| L2034 | A4 | C2 | U1011B | B4 | A1 | U2013D | E5 | A2 |
| L2035 | A4 | C2 | U1012A | B4 | A1 | U2013E | E2 | A2 |
| | | | U1012B | F5 | A1 | U2013F | F5 | A2 |
| P1024 | F1 | C1 | U1012C | E5 | A1 | U2014A | B3 | A2 |
| P2024 | C3 | C1 | U1012D | F5 | A1 | U2014B | F5 | A2 |
| | | | U1013A | D5 | A1 | U2015A | F3 | A2 |
| Q2035 | E5 | C2 | U1013B | D5 | A1 | U2015B | F4 | A2 |
| | | | U1013C | E5 | A1 | U2015C | B3 | A2 |
| R1011 | A4 | A1 | U1013D | F5 | A1 | U2015D | B3 | A2 |
| R1015 | A1 | A1 | U1015 | B1 | A1 | U2016 | F3 | A2 |
| R1026 | F1 | C1 | U1016 | D2 | A1 | U2021 | E2 | B2 |
| R1024 | F1 | B1 | U1017* | E5 | A2 | U2022 | A3 | B2 |
| R1029 | B4 | NA | U1021 | E3 | B1 | U2023A | A3 | B2 |
| R1030 | C5 | C1 | U1022 | C3 | B1 | U2023B | F5 | B2 |
| R1031 | F1 | C1 | U1023 | D1 | B1 | U2023C | F5 | B2 |
| R1032 | F1 | C1 | U1024 | E1 | B1 | U2023D | C4 | B2 |
| R1033 | F1 | C1 | U1025 | B2 | B1 | U2023E | D4 | B2 |
| R1034 | C2 | C1 | U1025A | C4 | B1 | U2023F | D5 | B2 |
| R1035 | A4 | C2 | U1025C | C4 | B1 | U2024 | C2 | B2 |
| R1036 | F1 | C1 | U1025D | C4 | B1 | U2032 | B5 | C2 |
| R1037 | B2 | C2 | U1025D | D4 | B1 | U2033 | B5 | C2 |
| R1038 | C5 | C2 | U1031A | C5 | C1 | U2034 | A5 | C2 |
| R1039 | C5 | C1 | U1031B | B4 | C1 | | | |
| | | | U1032 | F1 | C1 | | | |

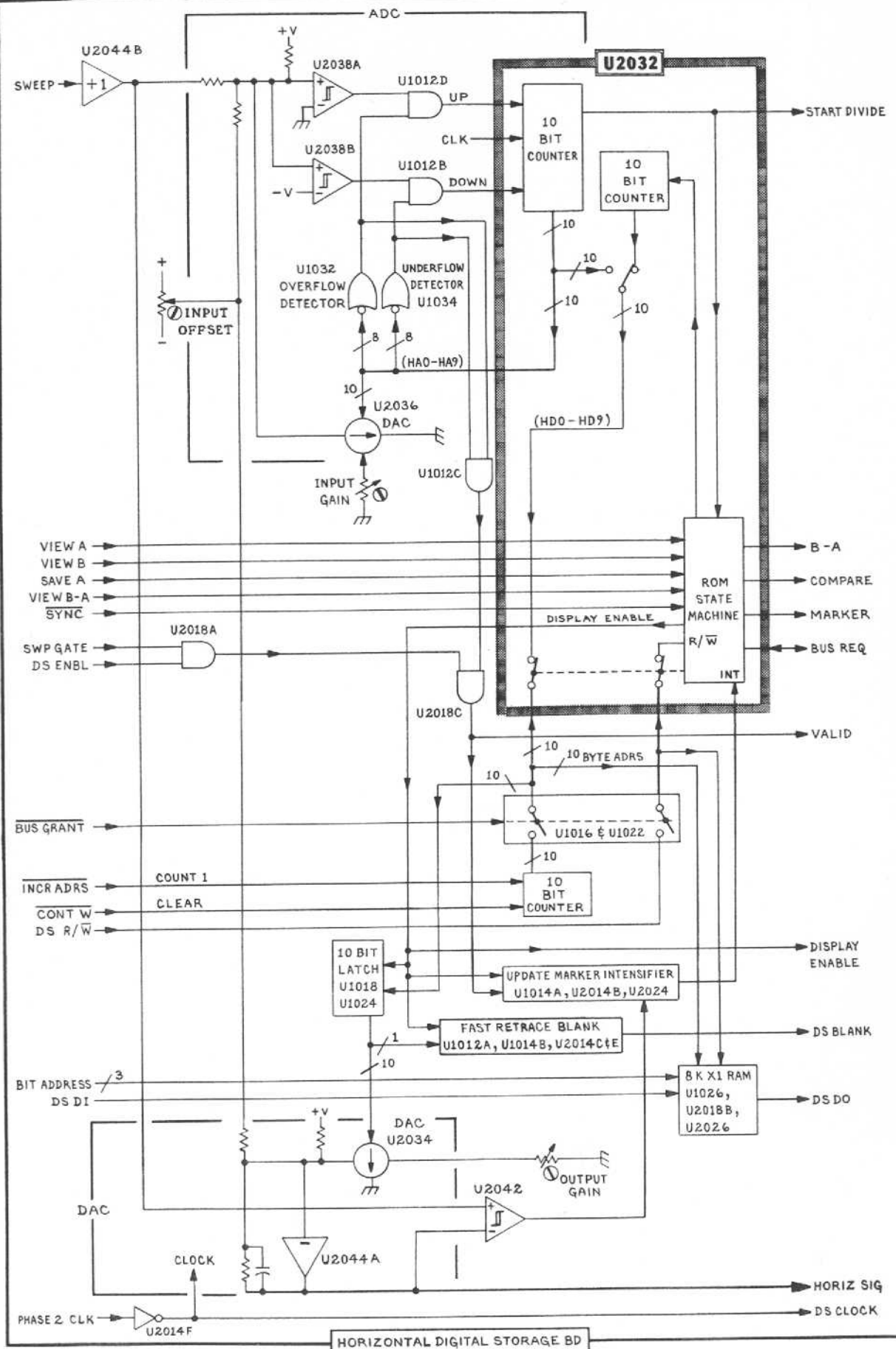
*See Parts List for serial number ranges.



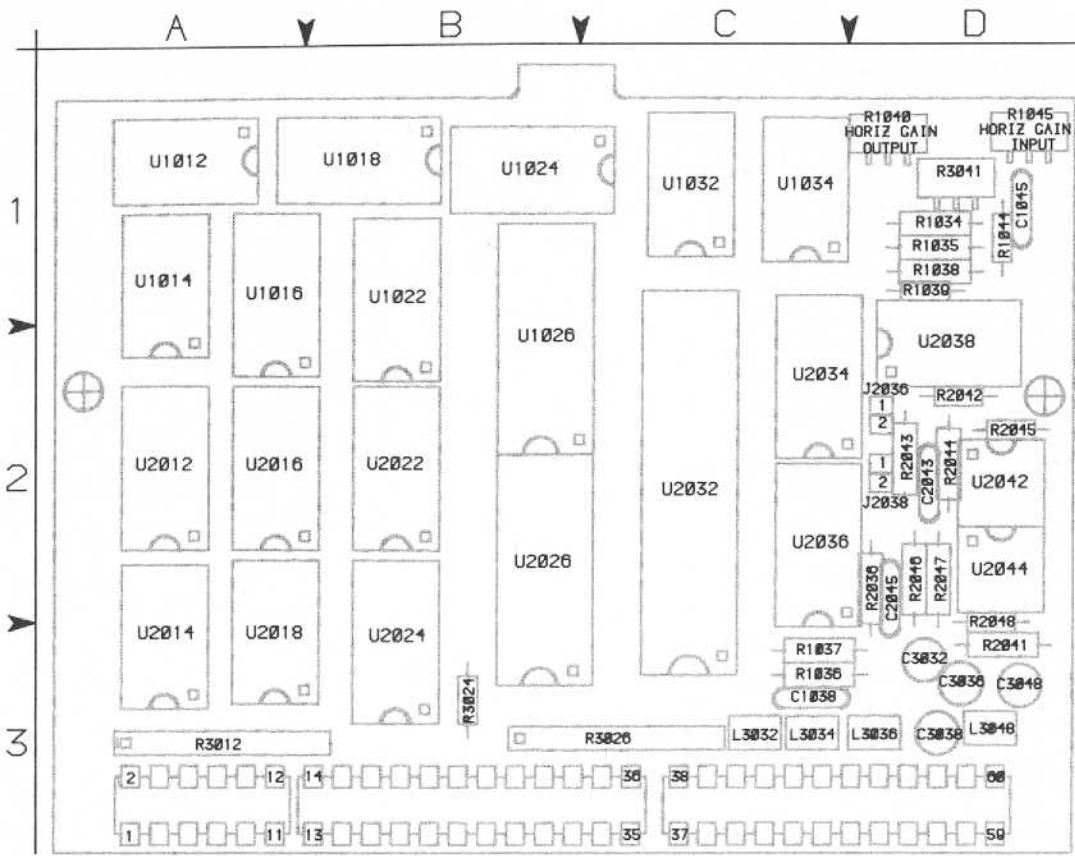
COMPONENT NUMBER EXAMPLE

| | | | |
|------------------|------------------------------|----------------------|--|
| Component Number | | | |
| A23 | A2 | R1234 | |
| Assembly Number | Subassembly Number (if used) | Subpart/Order Number | |

Check revised components from an Authorized Distributor prior to use and if applicable Electrical Parts List.



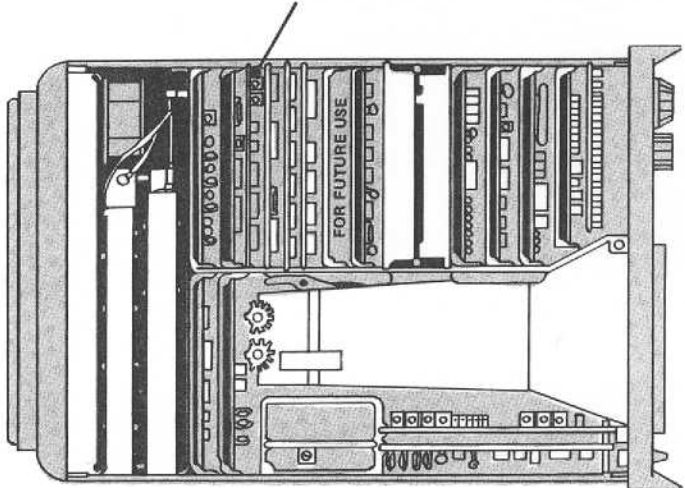
215



3482-176

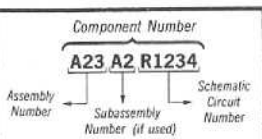
Fig. 8-28 A60 HORIZONTAL DIGITAL STORAGE Circuit Board

HORIZONTAL DIGITAL STORAGE



Static Sensitive Devices
See Maintenance Section

COMPONENT NUMBER EXAMPLE



Chassis-mounted components have no Assembly Number prefix—see end of Replaceable Electrical Parts List.

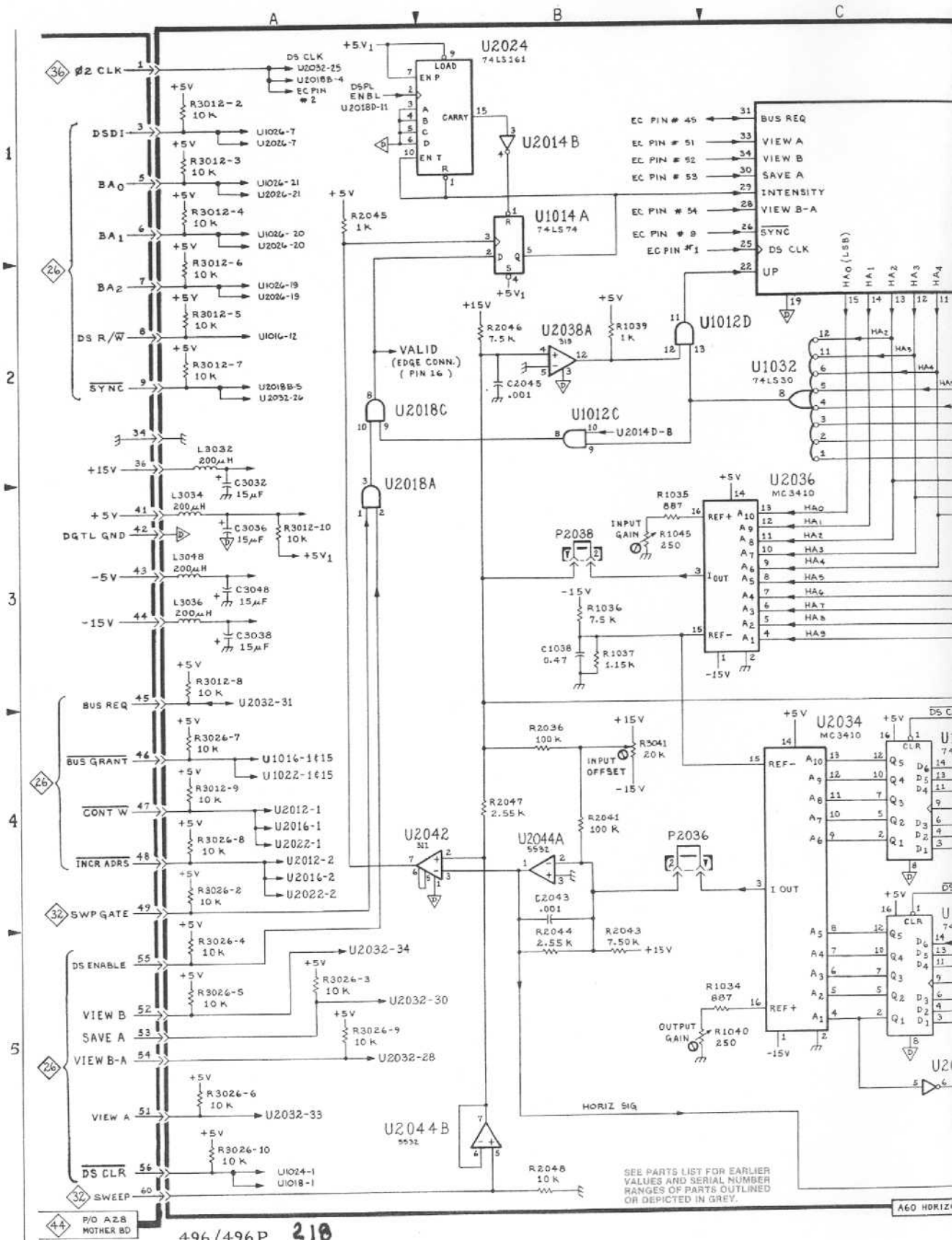
ASSEMBLY A60

Digital Storage Horizontal

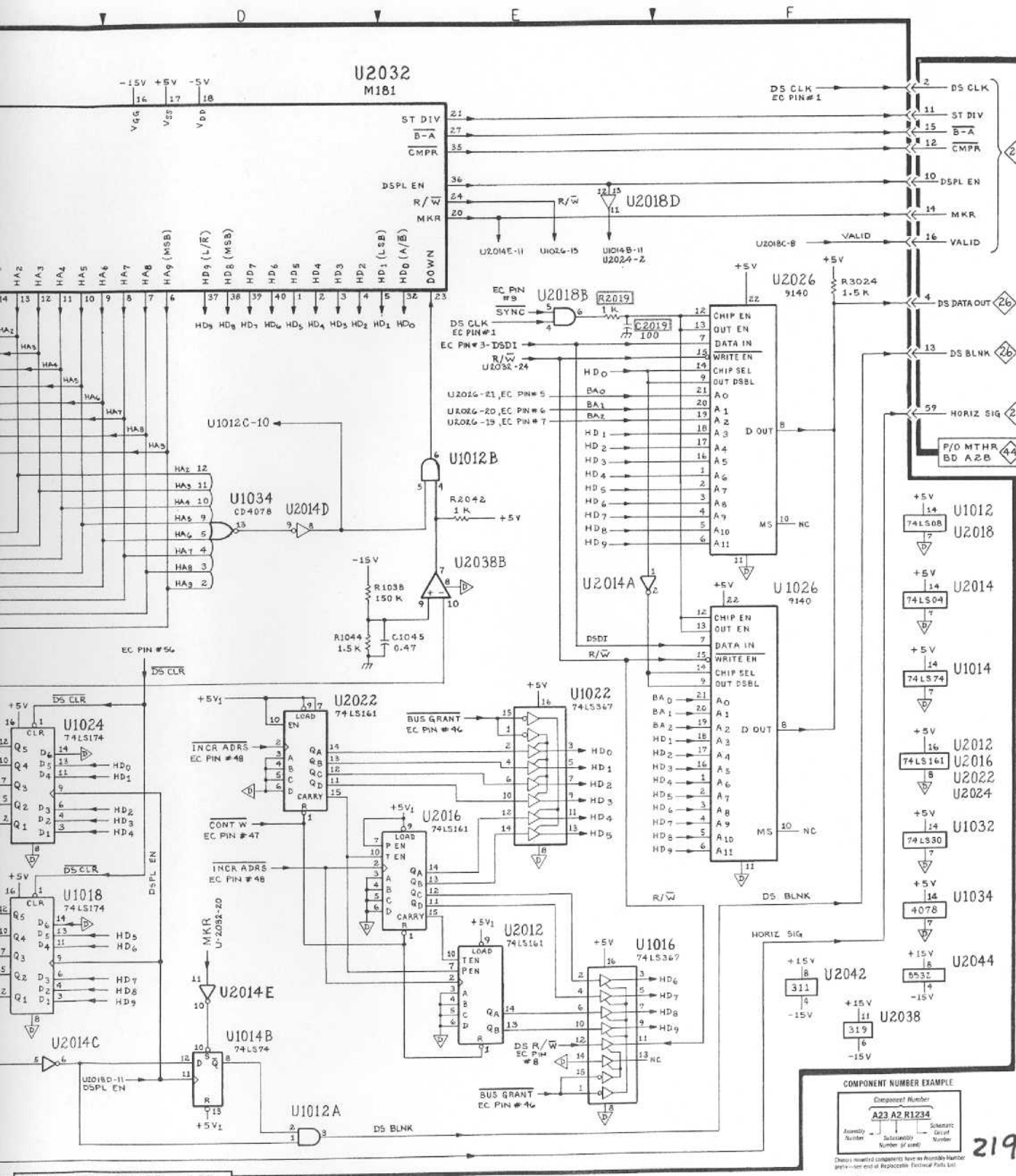
| CIRCUIT NUMBER | SCHEM LOCATION | BOARD LOCATION | CIRCUIT NUMBER | SCHEM LOCATION | BOARD LOCATION | CIRCUIT NUMBER | SCHEM LOCATION | BOARD LOCATION |
|----------------|----------------|----------------|----------------|----------------|----------------|----------------|----------------|----------------|
| C1038 | B3 | C3 | R2045 | A1 | D2 | U2014A | E3 | A3 |
| C1045 | E3 | D1 | R2047 | B4 | D2 | U2014B | B1 | A3 |
| C2019*† | F2 | A2 | R2048 | B2 | D2 | U2014C | C5 | A3 |
| C2043 | B4 | D2 | R2048 | B5 | D2 | U2014D | B2 | A3 |
| C2045 | B2 | D2 | R3012 | A1 | A3 | U2014D | D3 | A3 |
| C3032 | A3 | D3 | R3012 | A3 | A3 | U2014E | D5 | A3 |
| C3036 | A3 | D3 | R3012 | A3 | A3 | U2014F | A1 | A3 |
| C3038 | A3 | D3 | R3024 | F2 | B3 | U2016 | E4 | A2 |
| C3048 | A3 | D3 | R3026 | A4 | C3 | U2016 | F4 | A2 |
| | | | R3026 | A5 | C3 | U2018 | F3 | A3 |
| L3032 | A2 | C3 | R3041 | B4 | D1 | U2018A | A3 | A3 |
| L3034 | A3 | C3 | | | | U2018B | E2 | A3 |
| L3036 | A3 | D3 | U1012 | F3 | A1 | U2018C | A2 | A3 |
| L3048 | A3 | D3 | U1012A | D5 | A1 | U2018D | E1 | A3 |
| | | | U1012B | E2 | A1 | U2022 | D4 | B2 |
| P2036 | B4 | D2 | U1012C | B2 | A1 | U2022 | F4 | B2 |
| P2038 | B3 | D2 | U1012D | B2 | A1 | U2024 | B1 | B3 |
| | | | U1014 | F3 | A1 | U2026 | F3 | B2 |
| R1034 | C5 | D1 | U1014A | B1 | A1 | U2032 | D1 | C2 |
| R1035 | B3 | D1 | U1014B | D5 | A1 | U2032 | F4 | C2 |
| R1036 | B3 | C3 | U1016 | E5 | A1 | U2034 | C4 | C2 |
| R1037 | B3 | C3 | U1018 | C5 | B1 | U2036 | C3 | C2 |
| R1038 | D3 | D1 | U1022 | E4 | B1 | U2038 | F5 | D2 |
| R1039 | B2 | D1 | U1024 | C4 | B1 | U2038A | B2 | D2 |
| R1040 | B5 | D1 | U1026 | F2 | B2 | U2038B | E3 | D2 |
| R1044 | D3 | D1 | U1032 | C2 | C1 | U2042 | B4 | D2 |
| R1045 | B3 | D1 | U1034 | D3 | C1 | U2042 | F5 | D2 |
| R2019*† | E2 | A2 | U1034 | F5 | C1 | U2044 | F5 | D2 |
| R2036 | B4 | D2 | U2012 | E5 | A2 | U2044A | B4 | D2 |
| R2041 | B4 | D3 | U2012 | F4 | A2 | U2044B | B5 | D2 |
| R2042 | E3 | D2 | U2014 | F3 | A3 | | | |
| R2043 | B5 | D2 | | | | | | |
| R2044 | B5 | D2 | | | | | | |

*See Parts List for serial number ranges.

†Located on back of board.



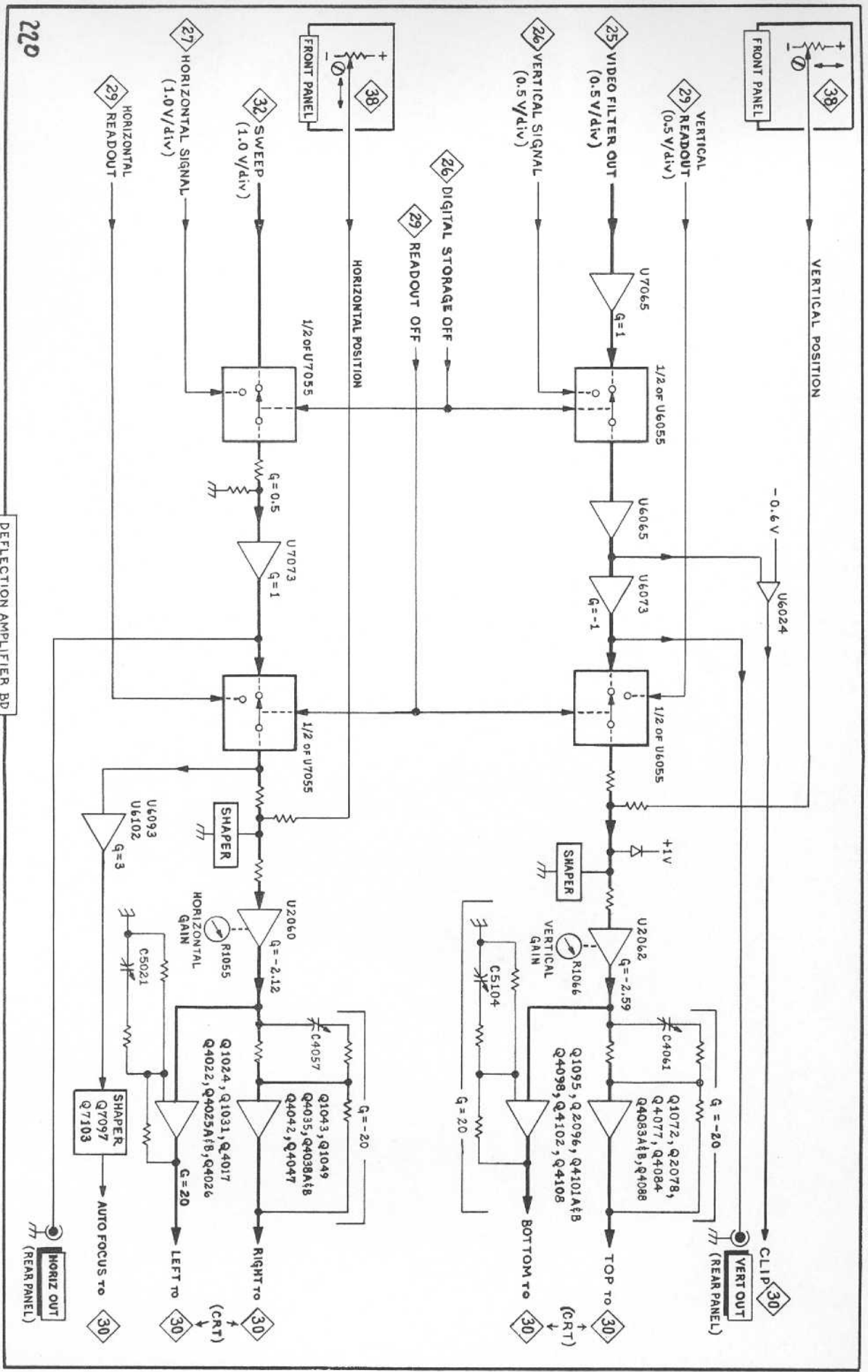
SEE PARTS LIST FOR EARLIER VALUES AND SERIAL NUMBER RANGES OF PARTS OUTLINED OR DEPICTED IN GREY.



COMPONENT NUMBER EXAMPLE

| | | |
|------------------|------------------------------|-----------------------|
| Component Number | | |
| A23 | A2 | R1234 |
| Assembly Number | Subassembly Number (if used) | Schematic Call Number |

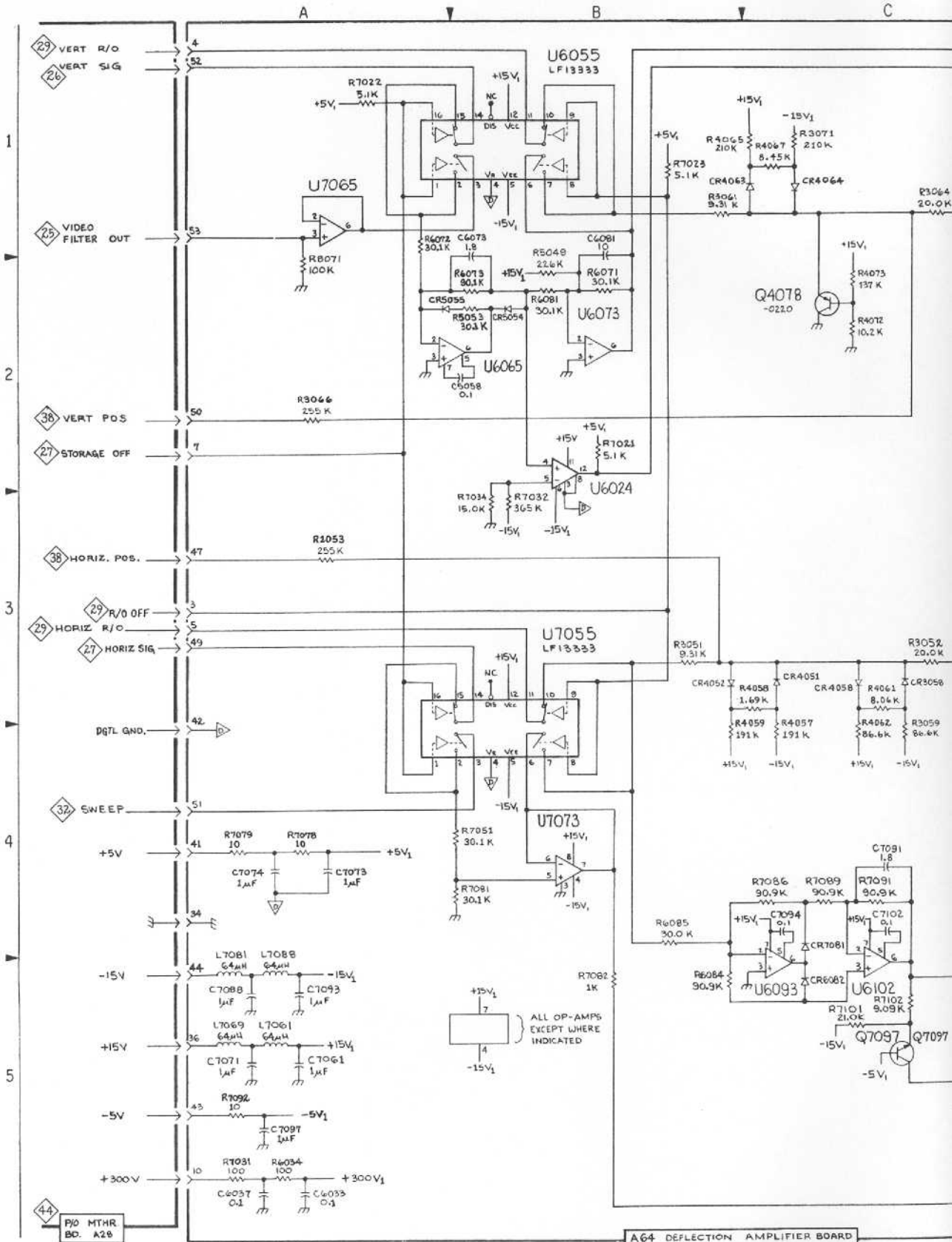
Check: Inserted components have an Assembly Number prefix on end of Package Electrical Parts List.



Deflection Amplifier DIAGRAM 28

ASSEMBLY A64

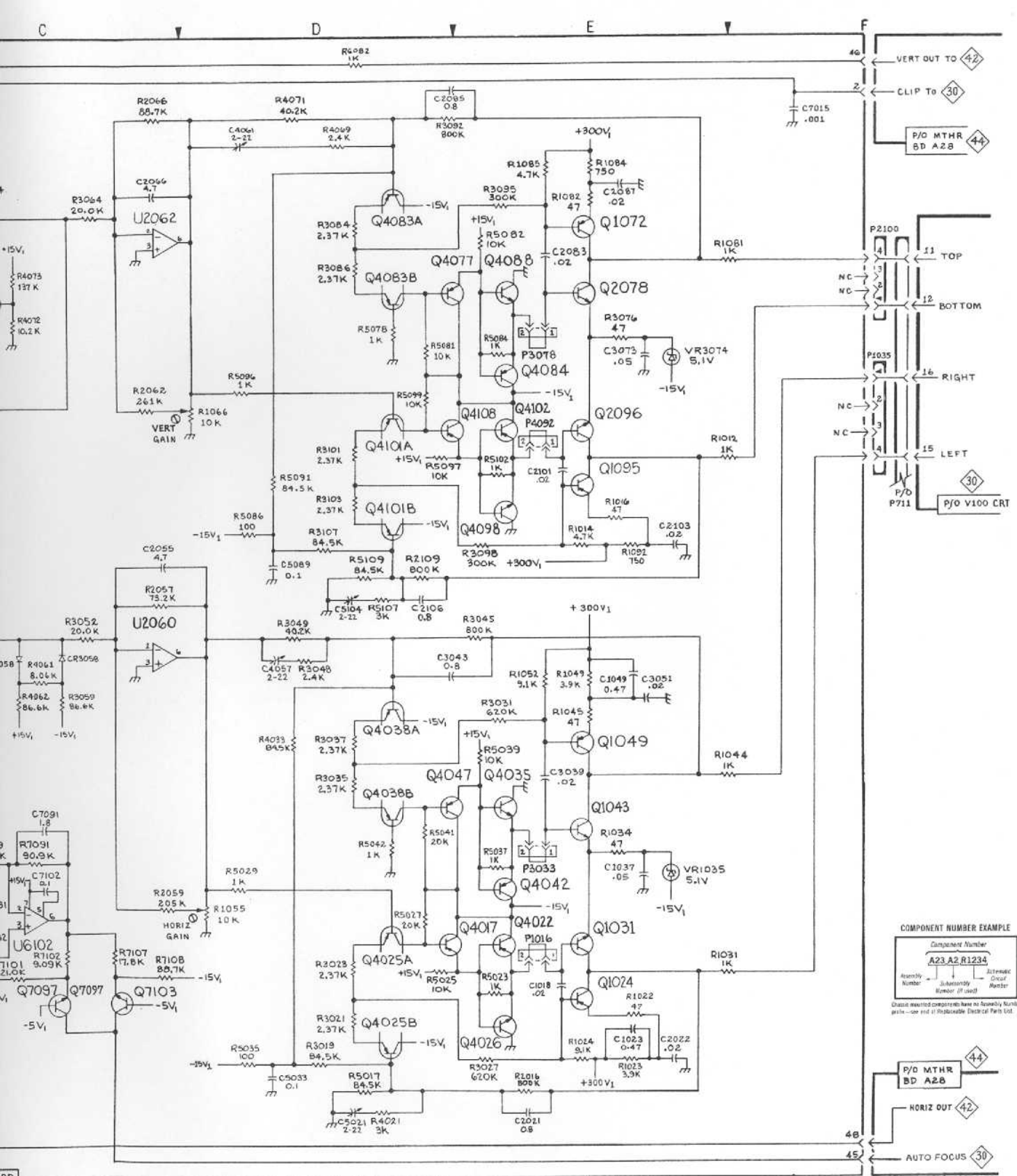
| CIRCUIT NUMBER | SCHEM LOCATION | BOARD LOCATION | CIRCUIT NUMBER | SCHEM LOCATION | BOARD LOCATION | CIRCUIT NUMBER | SCHEM LOCATION | BOARD LOCATION | CIRCUIT NUMBER | SCHEM LOCATION | BOARD LOCATION |
|----------------|----------------|----------------|----------------|----------------|----------------|----------------|----------------|----------------|----------------|----------------|----------------|
| C1018 | E5 | B1 | P1016 | E5 | A1 | R1092 | E3 | H1 | R5049 | B2 | D5 |
| C1023 | E5 | B1 | P1035 | F2 | C1 | R2016 | E5 | A3 | R5053 | B2 | E5 |
| C1043 | E4 | C1 | P2100 | F2 | J2 | R2053 | A3 | E2 | R5078 | D2 | H4 |
| C1049 | E3 | D1 | P3033 | E4 | C2 | R2057 | C3 | E2 | R5081 | D2 | H5 |
| C2021 | E5 | B3 | P3078 | E2 | G3 | R2059 | C4 | E2 | R5082 | E1 | H5 |
| C2022 | E5 | B2 | P4092 | E2 | I2 | R2062 | C2 | F2 | R5084 | E2 | H5 |
| C2055 | C3 | E2 | | | | R2066 | C1 | F2 | R5086 | D3 | H5 |
| C2066 | C1 | F2 | Q1024 | E5 | B1 | R2109 | D3 | J2 | R5091 | D3 | I3 |
| C2083 | E2 | G2 | Q1031 | E5 | C1 | R3019 | D5 | A3 | R5096 | D2 | I5 |
| C2087 | E1 | H2 | Q1043 | E4 | D1 | R3021 | D5 | B3 | R5097 | D2 | I5 |
| C2101 | E2 | I2 | Q1049 | E4 | E1 | R3023 | D5 | B3 | R5099 | D2 | I5 |
| C2103 | E3 | J1 | Q1072 | E1 | G1 | R3027 | E5 | B2 | R5102 | E2 | I5 |
| C2106 | D3 | J2 | Q1095 | E3 | I1 | R3031 | E4 | C2 | R5107 | D3 | J4 |
| C3039 | E4 | C2 | Q2078 | E2 | G2 | R3035 | D4 | C3 | R5109 | D3 | J5 |
| C3043 | E3 | D2 | Q2096 | E2 | I2 | R3037 | D4 | C3 | R6034 | A5 | C6 |
| C3043 | E3 | D2 | Q2096 | E2 | I2 | R3045 | E3 | D3 | R6034 | A5 | C6 |
| C3051 | E3 | D2 | Q4017 | E5 | A4 | R3048 | D3 | D3 | R6071 | B2 | G6 |
| C3073 | E2 | G2 | Q4022 | E5 | B4 | R3048 | D3 | D3 | R6072 | A1 | G6 |
| C4057 | D3 | E4 | Q4025A | D5 | B3 | R3049 | D3 | E3 | R6073 | B2 | G6 |
| C4061 | D1 | F4 | Q4025B | D5 | B3 | R3051 | B3 | E3 | R6081 | B2 | H5 |
| C5021 | D5 | A5 | Q4026 | E5 | B4 | R3052 | C3 | E3 | R6082 | D1 | H6 |
| C5033 | D5 | C5 | Q4035 | E4 | C4 | R3059 | C4 | E3 | R6084 | B5 | H5 |
| C5058 | B2 | E5 | Q4038A | D4 | C3 | R3061 | B1 | F3 | R6085 | B4 | H6 |
| C5089 | D3 | I5 | Q4038B | D4 | C3 | R3064 | C1 | F3 | R6085 | B4 | H6 |
| C5104 | D3 | J5 | Q4042 | E4 | D4 | R3066 | A2 | F3 | R7021 | B2 | B7 |
| C6033 | A5 | C6 | Q4047 | E4 | D4 | R3071 | C1 | F4 | R7022 | A1 | B7 |
| C6033 | A5 | C6 | Q4077 | D2 | G4 | R3076 | E2 | G2 | R7023 | B1 | B7 |
| C6037 | A5 | C6 | Q4078 | C2 | G4 | R3084 | D1 | G3 | R7031 | A5 | B6 |
| C6037 | A5 | C6 | Q4083A | D1 | G3 | R3086 | D2 | H3 | R7032 | B3 | C7 |
| C6073 | B2 | G6 | Q4083B | D2 | G3 | R3092 | D1 | H3 | R7034 | B3 | C7 |
| C6081 | B2 | H6 | Q4084 | E2 | H4 | R3095 | E1 | H3 | R7051 | A4 | F7 |
| C7015 | F1 | A6 | Q4088 | E2 | H4 | R3098 | E3 | I3 | R7078 | A4 | G7 |
| C7061 | A5 | F7 | Q4098 | E3 | I4 | R3101 | D2 | I3 | R7079 | A4 | G7 |
| C7071 | A5 | G7 | Q4101A | D2 | J3 | R3103 | D3 | J3 | R7081 | A4 | G6 |
| C7073 | A4 | G7 | Q4101B | D3 | J3 | R3107 | D3 | I3 | R7082 | B5 | H6 |
| C7074 | A4 | G7 | Q4102 | E2 | J4 | R4021 | D5 | B4 | R7086 | C4 | H6 |
| C7088 | A5 | H7 | Q4108 | E2 | J4 | R4033 | D4 | C4 | R7089 | C4 | H6 |
| C7091 | C4 | I6 | Q7097 | C5 | I7 | R4057 | C4 | E4 | R7091 | C4 | I6 |
| C7093 | A5 | I7 | Q7103 | C5 | J7 | R4058 | C3 | E3 | R7092 | A5 | I7 |
| C7094 | C4 | I6 | | | | R4059 | B4 | E4 | R7101 | C5 | J6 |
| C7097 | A5 | NA | R1012 | E2 | J1 | R4061 | C3 | E3 | R7102 | C5 | J6 |
| C7102 | C4 | I6 | R1014 | E3 | J1 | R4062 | C4 | E4 | R7107 | C5 | J6 |
| | | | R1016 | E3 | J1 | R4065 | C1 | F4 | R7108 | C5 | J6 |
| | | | R1022 | E5 | B1 | R4067 | C1 | F4 | | | |
| CR3058 | C3 | E3 | R1023 | E5 | B1 | R4069 | D1 | F4 | U2060 | C3 | E2 |
| CR4051 | C3 | E3 | R1024 | E5 | B1 | R4071 | D1 | F4 | U2062 | C1 | F2 |
| CR4052 | B3 | E3 | R1031 | E5 | C1 | R4072 | C2 | G4 | U6024 | B2 | B6 |
| CR4063 | C1 | F3 | R1034 | E4 | C1 | R4073 | C2 | H4 | U6055 | B1 | D6 |
| CR4064 | C1 | F3 | R1044 | E4 | D1 | R5017 | D5 | A5 | U6065 | A2 | F5 |
| CR5054 | B2 | E5 | R1045 | E4 | D1 | R5023 | E5 | B5 | U6073 | B2 | G5 |
| CR5055 | B2 | E5 | R1049 | E3 | D1 | R5025 | D5 | B5 | U6093 | C5 | I6 |
| CR6082 | C5 | H6 | R1052 | E3 | E1 | R5027 | D4 | B5 | U6102 | C5 | I6 |
| CR7081 | C4 | H6 | R1055 | D4 | E1 | R5029 | D4 | C5 | U7055 | B3 | D7 |
| | | | R1066 | D2 | F1 | R5035 | D5 | C5 | U7065 | A1 | F6 |
| L7061 | A5 | E7 | R1081 | E2 | H1 | R5037 | E4 | C5 | U7073 | B4 | G6 |
| L7069 | A5 | F7 | R1082 | E1 | G1 | R5039 | E4 | C5 | | | |
| L7081 | A5 | H7 | R1084 | E1 | H1 | R5041 | D4 | D5 | VR1035 | E4 | C1 |
| L7088 | A5 | I7 | R1085 | E1 | H1 | R5042 | D4 | D5 | VR3074 | E2 | G3 |



223

496/496 P

A64 DEFLECTION AMPLIFIER BOARD



COMPONENT NUMBER EXAMPLE

| | | | |
|------------------|------------------------------|-----------------------|--|
| Component Number | | | |
| A23 A2 R1234 | | | |
| Assembly Number | Subassembly Number (if used) | Junction Point Number | |

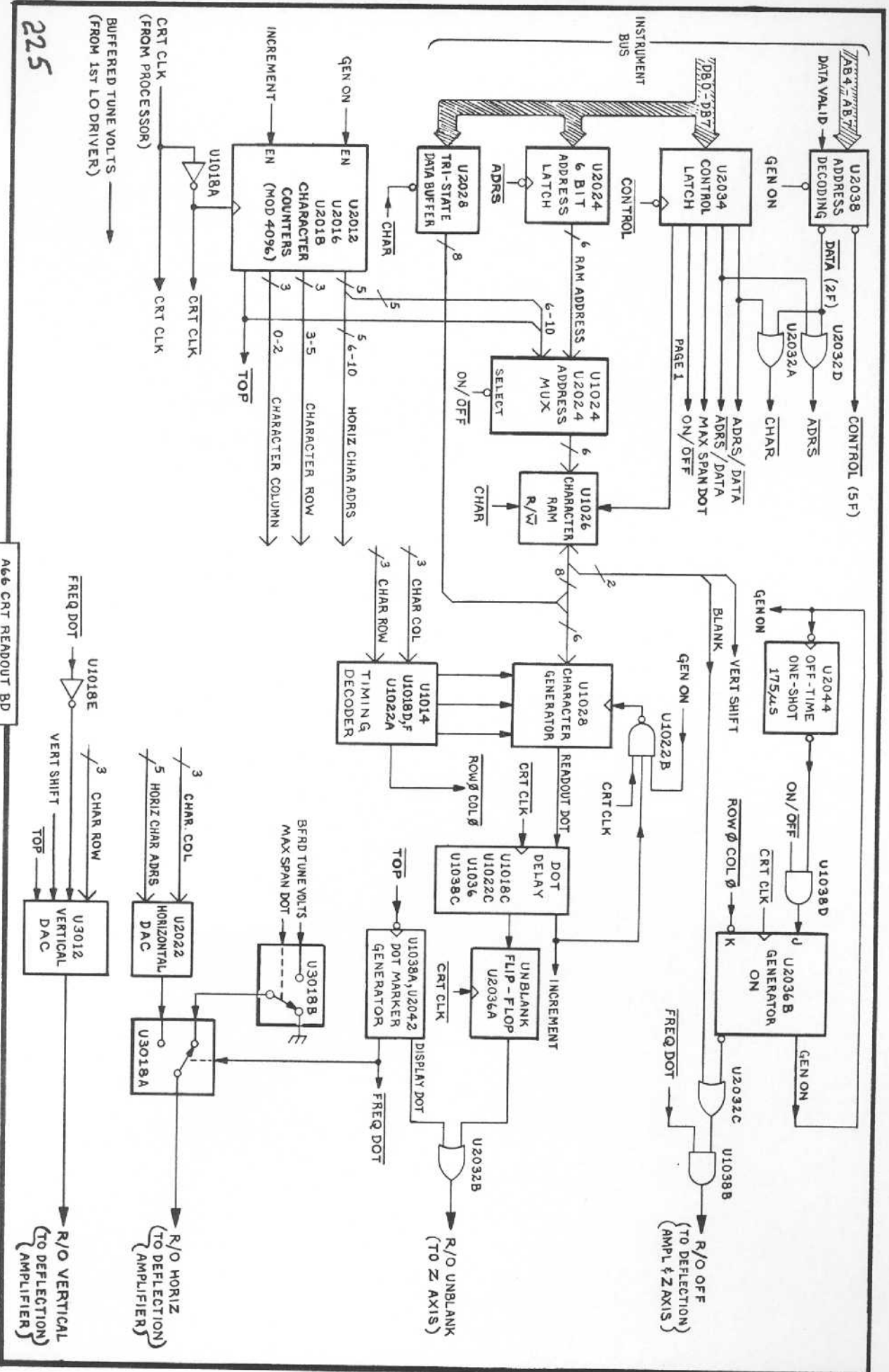
Caution: Resistor components have an Assembly Number prefix - see end of Plateable Electrical Parts List.

3482-97
REV JAN 1982

Static Sensitive Devices
See Maintenance Section

DEFLECTION AMPLIFIER 28

224



225

A66 CRT READOUT BD

3482-181

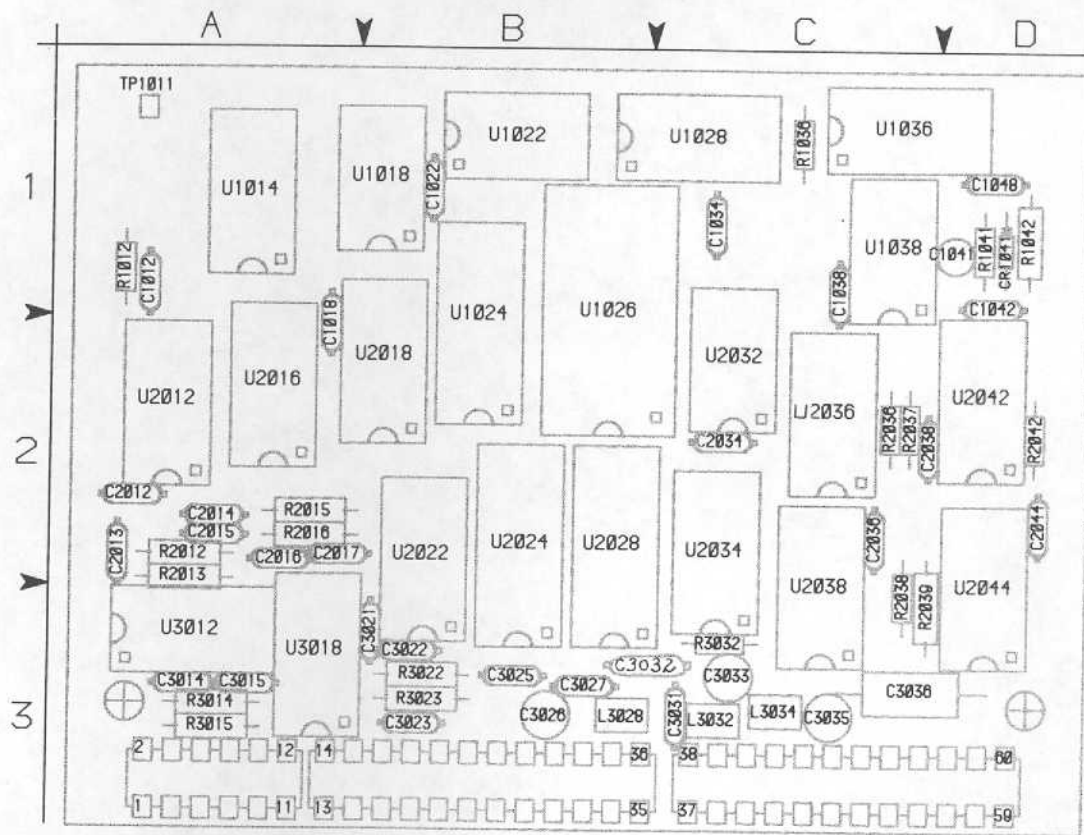
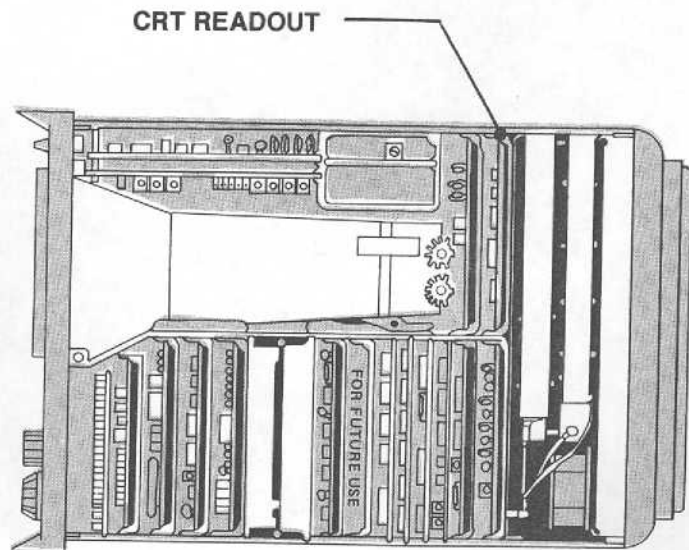


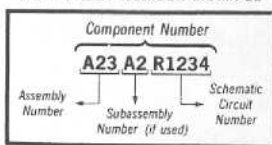
Fig. 8-30 A66 CRT READOUT Circuit Board
3482-182



3482-183

 Static Sensitive Devices
See Maintenance Section

COMPONENT NUMBER EXAMPLE



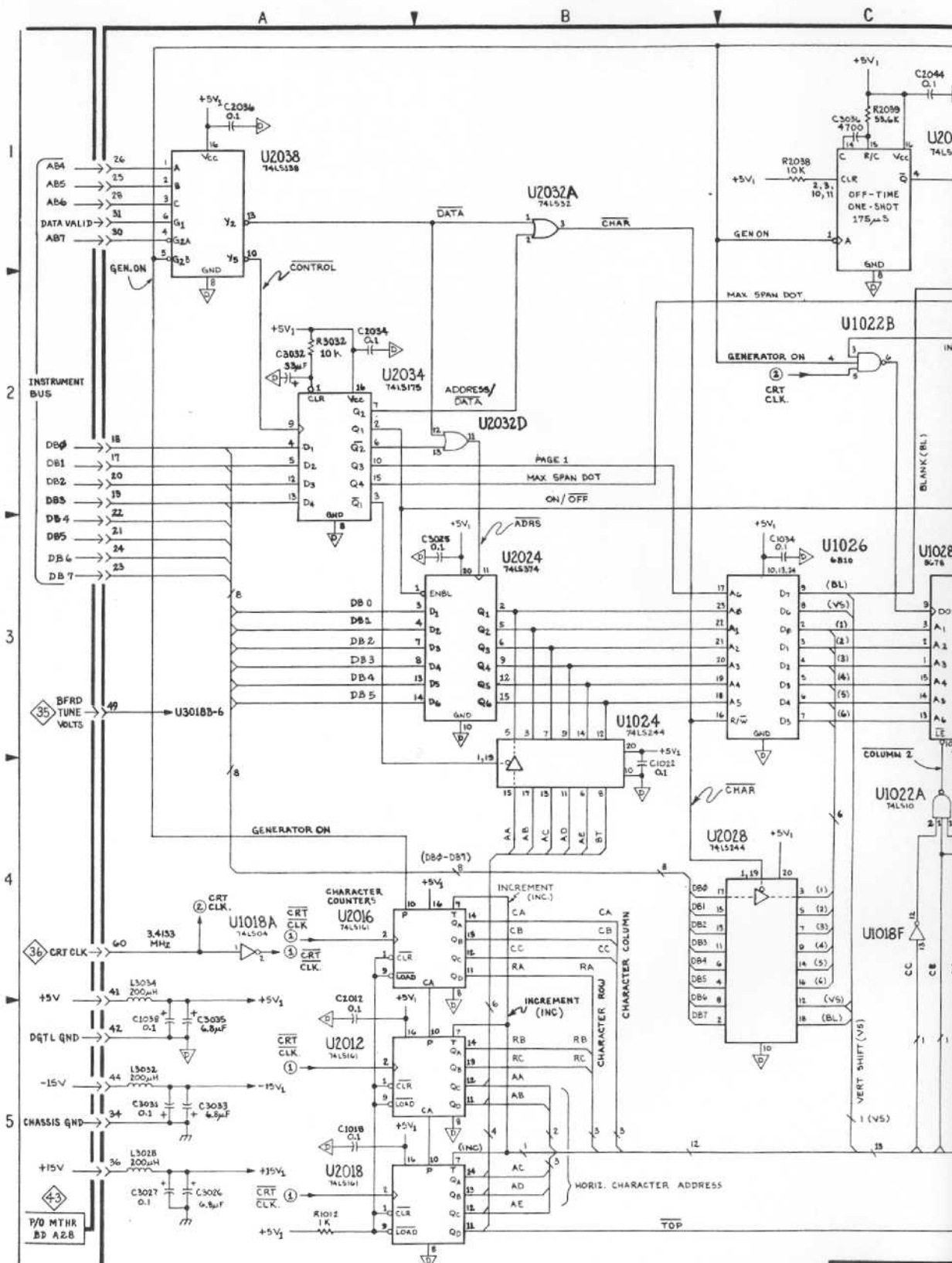
226

Chassis-mounted components have no Assembly Number prefix—see end of Replaceable Electrical Parts List.

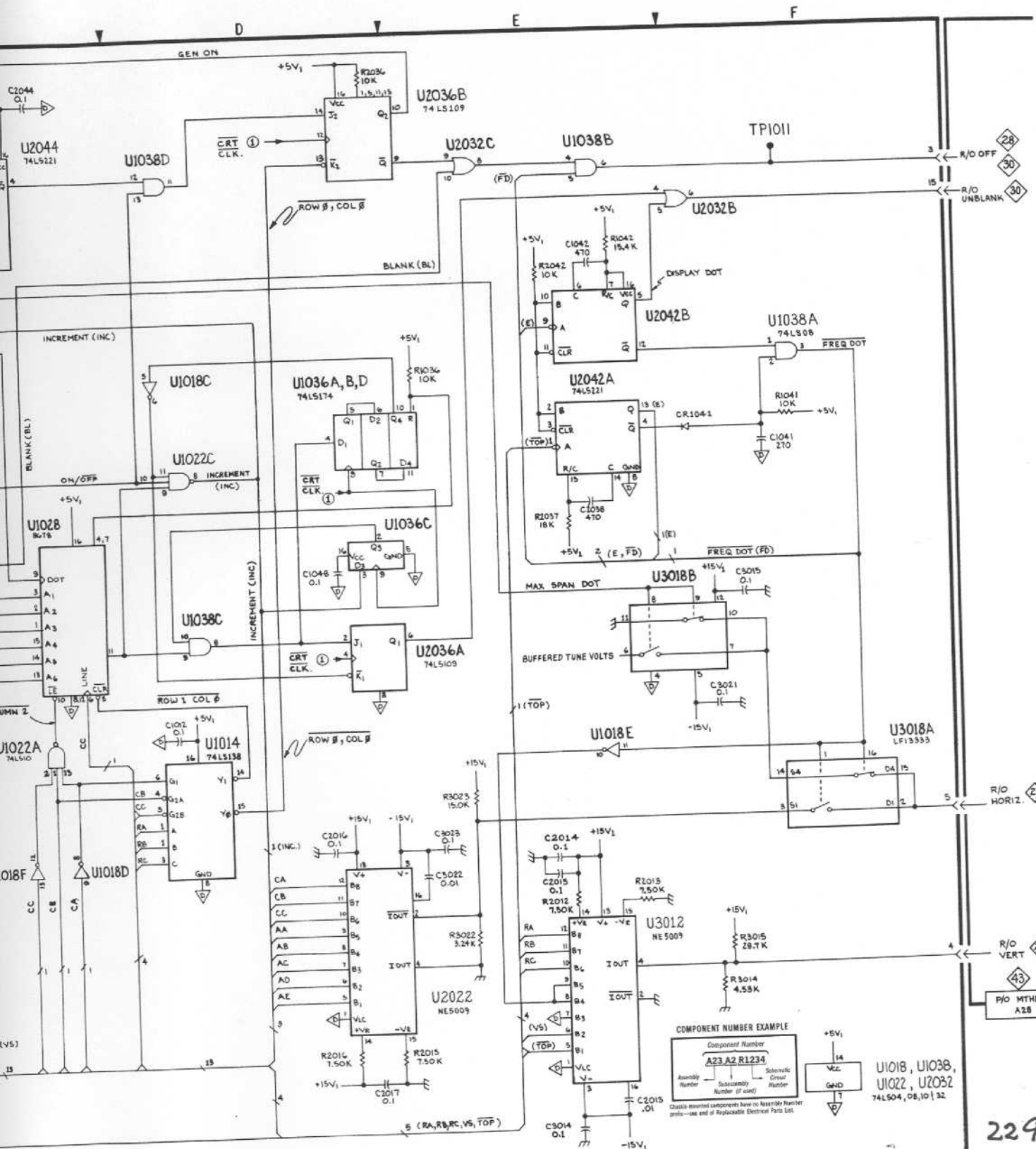
ASSEMBLY A66

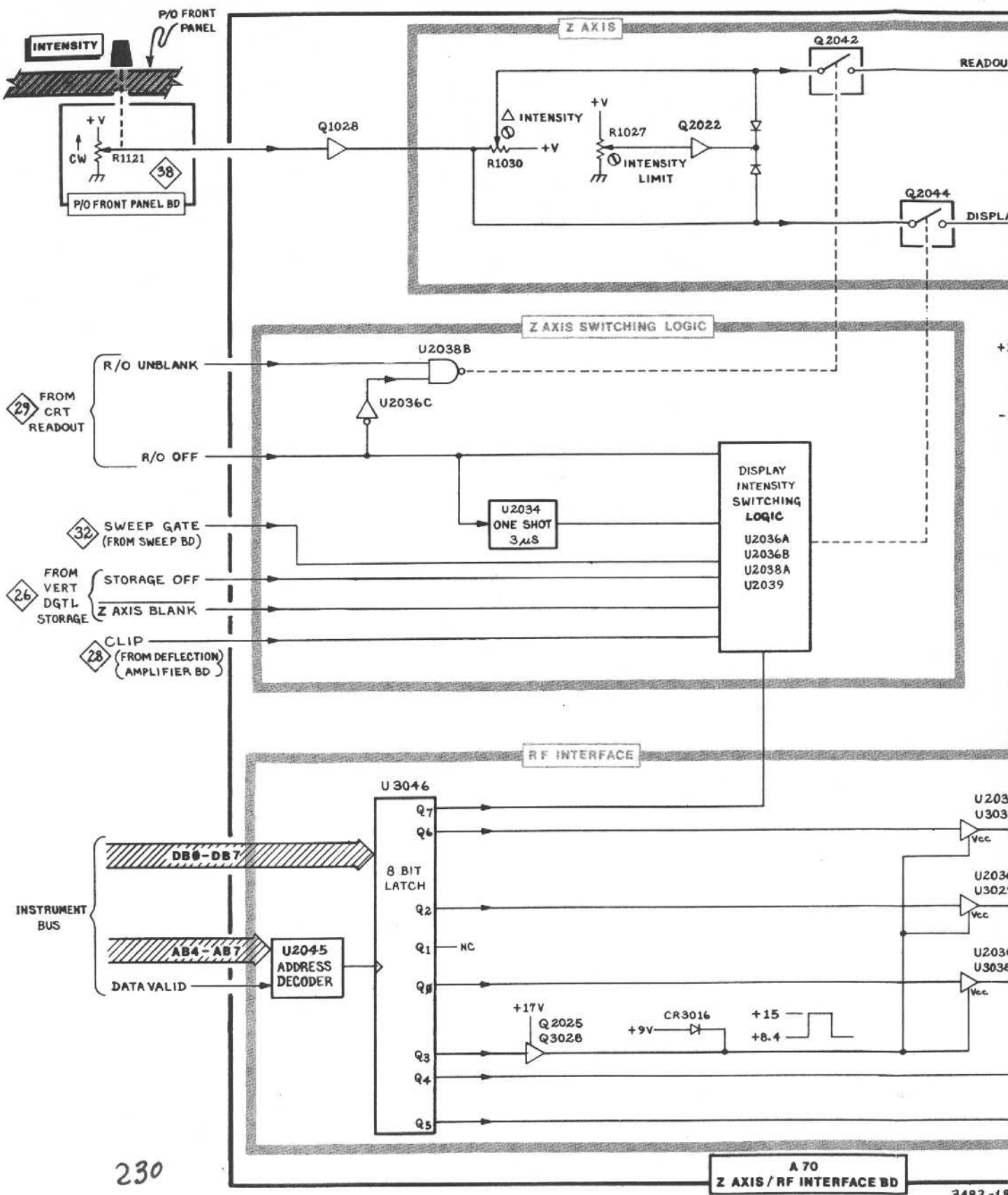
CRT READOUT

| CIRCUIT NUMBER | SCHEM LOCATION | BOARD LOCATION | CIRCUIT NUMBER | SCHEM LOCATION | BOARD LOCATION | CIRCUIT NUMBER | SCHEM LOCATION | BOARD LOCATION |
|----------------|----------------|----------------|----------------|----------------|----------------|----------------|----------------|----------------|
| C1012 | D4 | A1 | L3028 | A5 | B3 | U1022C | D2 | B1 |
| C1018 | A5 | A2 | L3032 | A5 | C3 | U1024 | B3 | B1 |
| C1022 | B4 | B1 | L3034 | A4 | C3 | U1026 | C3 | B1 |
| C1034 | C3 | C1 | | | | U1026 | C3 | B1 |
| C1038 | A5 | C1 | R1012 | A5 | A1 | U1028 | C3 | C1 |
| C1041 | F2 | D1 | R1036 | E2 | C1 | U1036C | E3 | C1 |
| C1042 | E1 | D1 | R1041 | F2 | D1 | U1038A | F2 | C1 |
| C1048 | D3 | D1 | R1042 | E1 | D1 | U1038B | E1 | C1 |
| C2012 | A5 | A2 | R2012 | E4 | A2 | U1038C | D3 | C1 |
| C2013 | E5 | A2 | R2013 | E4 | A2 | U1038D | D1 | C1 |
| C2014 | E4 | A2 | R2015 | E5 | A2 | U2012 | A5 | A2 |
| C2015 | E4 | A2 | R2016 | D5 | A2 | U2016 | A4 | A2 |
| C2016 | D4 | A2 | R2036 | D1 | C2 | U2018 | A5 | B2 |
| C2017 | D5 | A2 | R2037 | E3 | C2 | U2022 | E5 | B2 |
| C2034 | A2 | C2 | R2038 | C1 | C2 | U2024 | B3 | B2 |
| C2036 | A1 | C2 | R2039 | C1 | D3 | U2028 | C4 | B2 |
| C2038 | E3 | C2 | R2042 | E2 | D2 | U2032A | B1 | C2 |
| C2044 | C1 | D2 | R3014 | F5 | A3 | U2032B | F1 | C2 |
| C3014 | E5 | A3 | R3015 | F5 | A3 | U2032C | E1 | C2 |
| C3015 | F3 | A3 | R3022 | E5 | B3 | U2032D | B2 | C2 |
| C3021 | F3 | B3 | R3023 | E4 | B3 | U2034 | A2 | C2 |
| C3022 | E4 | B3 | R3032 | A2 | C3 | U2036A | E3 | C2 |
| C3023 | E4 | B3 | | | | U2036B | E1 | C2 |
| C3025 | B3 | B3 | TP1011 | F1 | A1 | U2038 | A1 | C2 |
| C3026 | A5 | B3 | | | | U2042A | E2 | D2 |
| C3027 | A5 | B3 | U1014 | D4 | A1 | U2042B | E2 | D2 |
| C3031 | A5 | C3 | U1018A | A4 | B1 | U2044 | C1 | D2 |
| C3032 | A2 | C3 | U1018C | D2 | B1 | U3012 | E5 | A3 |
| C3033 | A5 | C3 | U1018D | C4 | B1 | U3018A | F4 | A3 |
| C3035 | A5 | C3 | U1018E | E4 | B1 | U3018B | F3 | A3 |
| C3036 | C1 | C3 | U1018F | C4 | B1 | U1036AB | | |
| CR1041 | F2 | D1 | U1022A | C4 | B1 | | | |
| | | | U1022B | C2 | B1 | | | |



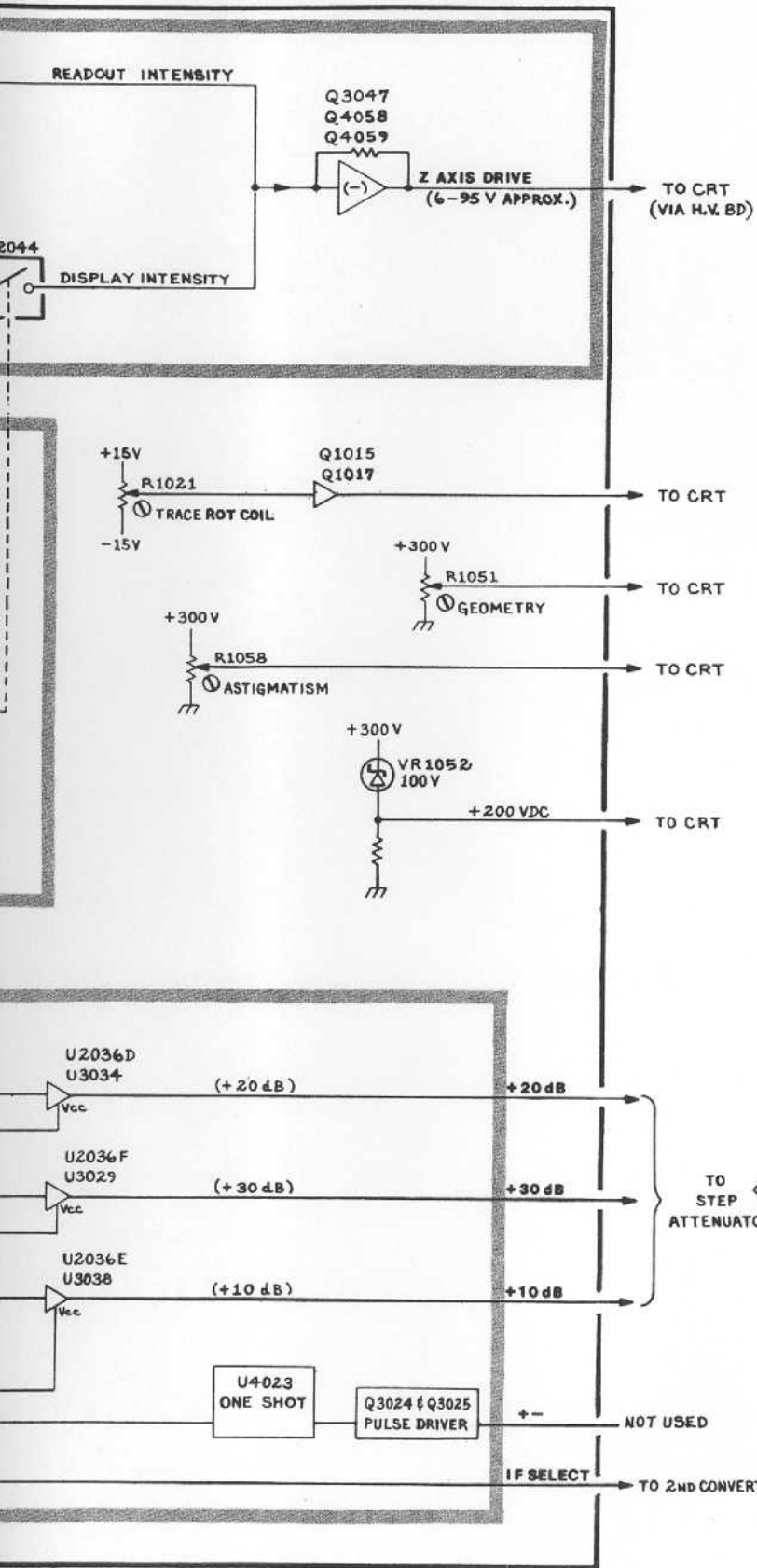
228 496/496P





230

A 70
Z AXIS / RF INTERFACE BD

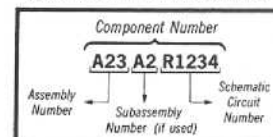


1
2
3
4

670

Static Sensitive Devices
See Maintenance Section

COMPONENT NUMBER EXAMPLE



Chassis-mounted components have no Assembly Number prefix—see end of Replaceable Electrical Parts List.

231

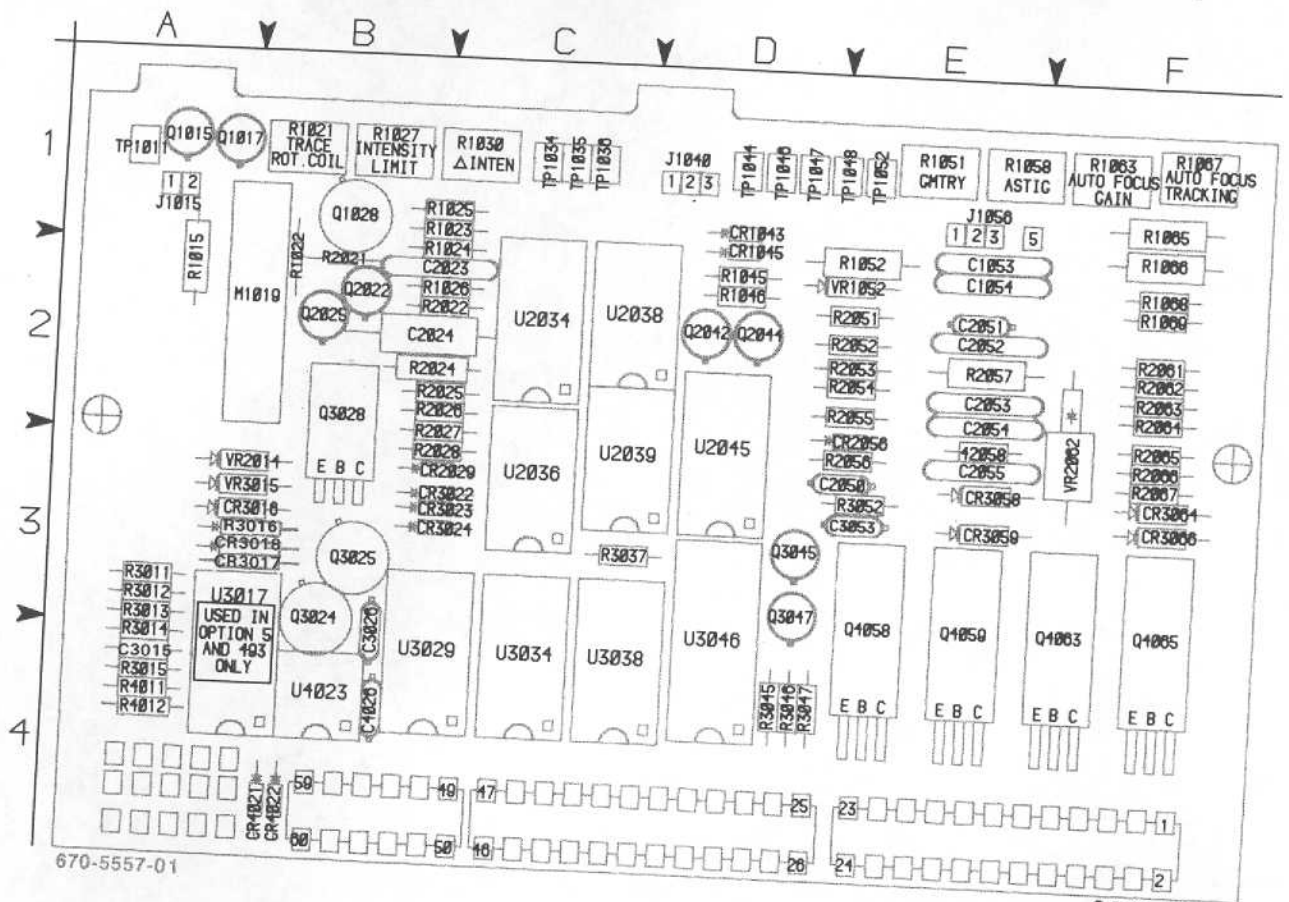
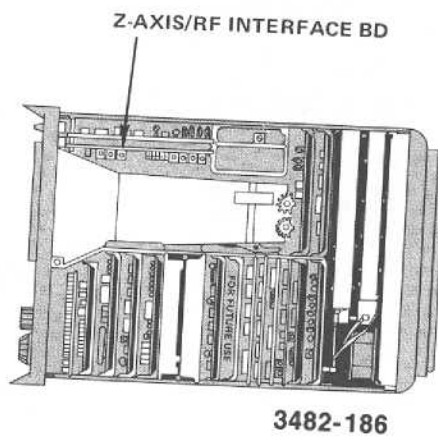


Fig. 8-31 A70 Z-AXIS/RF INTERFACE Circuit Board



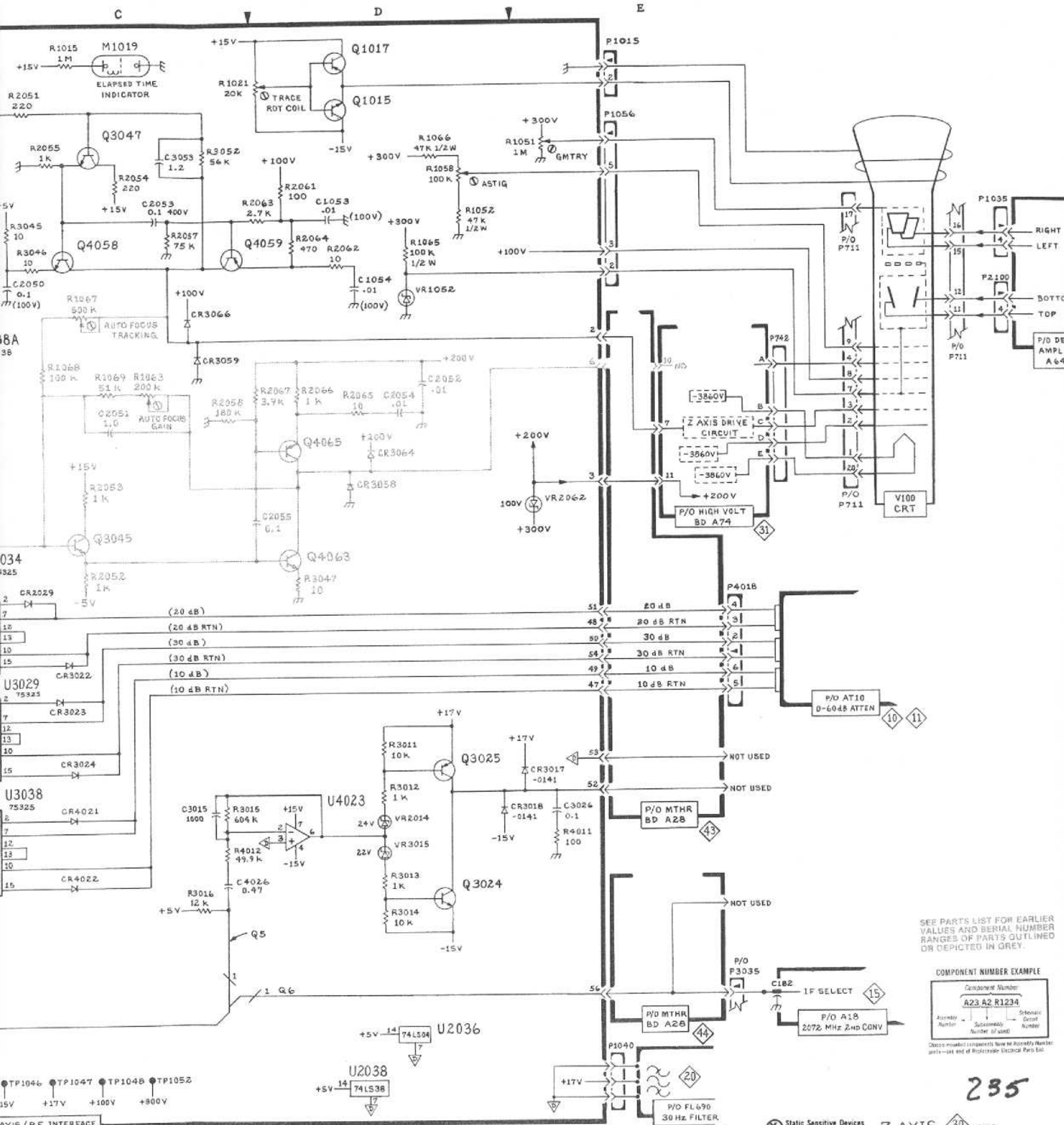
232

Z Axis/RF Interface DIAGRAM 30

ASSEMBLY A70

| CIRCUIT NUMBER | SCHEM LOCATION | BOARD LOCATION | CIRCUIT NUMBER | SCHEM LOCATION | BOARD LOCATION | CIRCUIT NUMBER | SCHEM LOCATION | BOARD LOCATION | CIRCUIT NUMBER | SCHEM LOCATION | BOARD LOCATION |
|----------------|----------------|----------------|----------------|----------------|----------------|----------------|----------------|----------------|----------------|----------------|----------------|
| C1053 | D1 | E1 | Q1028 | A1 | B1 | R2021 | A1 | B2 | TP1011 | A5 | A1 |
| C1054 | D2 | E2 | Q2022 | B2 | B2 | R2022 | B5 | B2 | TP1034 | A5 | C1 |
| C2023 | A1 | B2 | Q2025 | B5 | B2 | R2024 | A1 | B2 | TP1035 | A5 | C1 |
| C2024 | A1 | B2 | Q2042 | B1 | D2 | R2025 | A2 | B2 | TP1036 | A5 | C1 |
| C2050 | C2 | E3 | Q2044 | B1 | D2 | R2026 | B5 | B2 | TP1044 | A5 | D1 |
| C2051* | C2 | E2 | Q3024 | D5 | B3 | R2027 | B5 | B2 | TP1046 | A5 | D1 |
| C2052* | D2 | E2 | Q3025 | D4 | B3 | R2028 | B5 | B3 | TP1047 | A5 | D1 |
| C2053 | C1 | E2 | Q3028 | B5 | B2 | R2051 | C1 | E2 | TP1048 | A5 | D1 |
| C2054* | D2 | E2 | Q3045* | C3 | D3 | R2052* | C3 | E2 | TP1052 | A5 | E1 |
| C2055* | D3 | E2 | Q3047 | C1 | D3 | R2053* | C3 | E2 | | | |
| C3015 | D4 | A4 | Q4058 | C2 | E3 | R2054 | C1 | E2 | U2034 | A1 | C2 |
| C3026 | E4 | B3 | Q4059 | C2 | E3 | R2055 | C1 | E2 | U2036 | D5 | C3 |
| C3053 | C1 | E3 | Q4063* | D3 | F3 | R2056* | A3 | E2 | U2036A | A3 | C3 |
| C4026 | C5 | B4 | Q4065* | D3 | F3 | R2057 | C2 | E2 | U2036B | A3 | C3 |
| | | | | | | R2058* | C2 | E2 | U2036C | A2 | C3 |
| CR1043 | B1 | D1 | R1015 | C1 | A2 | R2061 | D1 | F2 | U2036D | B3 | C3 |
| CR1045 | B1 | D1 | R1021 | D1 | B1 | R2062 | D2 | F2 | U2036E | B4 | C3 |
| CR2029 | C3 | B3 | R1022 | A1 | B2 | R2063 | D1 | F2 | U2036F | B4 | C3 |
| CR2056* | A3 | E2 | R1023 | A1 | B1 | R2064 | D2 | F2 | U2038 | D5 | C2 |
| CR3016 | B5 | B3 | R1024 | A1 | B1 | R2065* | D2 | F2 | U2038A | B2 | C2 |
| CR3017 | E4 | B3 | R1025 | B1 | B1 | R2066* | D2 | F2 | U2038B | A1 | C2 |
| CR3018 | D4 | B3 | R1026 | B2 | B2 | R2067* | D2 | F3 | U2039 | B3 | C3 |
| CR3022 | C4 | B3 | R1027 | B2 | B1 | R3011 | D4 | A3 | U2045 | A4 | D2 |
| CR3023 | C4 | B3 | R1030 | A1 | C1 | R3012 | D4 | A3 | U3029 | C4 | B4 |
| CR3024 | C4 | B3 | R1045 | B1 | D2 | R3013 | D5 | A3 | U3034 | C3 | C4 |
| CR3058* | D3 | E3 | R1046 | B2 | D2 | R3014 | D5 | A4 | U3038 | C4 | C4 |
| CR3059 | C2 | E3 | R1051 | E1 | E1 | R3015 | C4 | A4 | U3046 | A3 | D3 |
| CR3064* | D3 | F3 | R1052 | D1 | E1 | R3016 | D5 | A3 | U4023 | D4 | B4 |
| CR3066 | C2 | F3 | R1058 | D1 | E1 | R3037 | B3 | C3 | | | |
| CR4021 | C4 | B4 | R1063* | C2 | F1 | R3045 | C1 | D4 | VR1052 | D2 | E2 |
| CR4022 | C5 | B4 | R1065 | D2 | F1 | R3046 | C2 | D4 | VR2014 | D4 | B3 |
| | | | R1066 | D1 | F1 | R3047* | D3 | D4 | VR2062 | E3 | F2 |
| M1019 | C1 | B2 | R1067* | C2 | F1 | R3052 | C1 | E3 | VR3015 | D4 | B3 |
| | | | R1068* | C2 | F2 | R4011 | E4 | A4 | | | |
| Q1015 | D1 | A1 | R1069* | C2 | F2 | R4012 | C4 | A4 | | | |
| Q1017 | D1 | A1 | | | | | | | | | |

*See Parts List for serial number ranges.



SEE PARTS LIST FOR EARLIER VALUES AND SERIAL NUMBER RANGES OF PARTS OUTLINED OR DEPICTED IN GREY.

COMPONENT NUMBER EXAMPLE

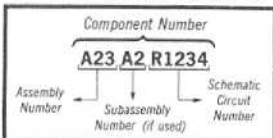
| | | | |
|------------------|--------------------|--------------------------|--|
| Component Number | | | |
| A23 | A2 | R1234 | |
| Assembly Number | Subassembly Number | Schematic Circuit Number | |
| Number of used | | | |

Circle product components from the Assembly Number pins - see end of Micrograde Electrical Parts List.

235

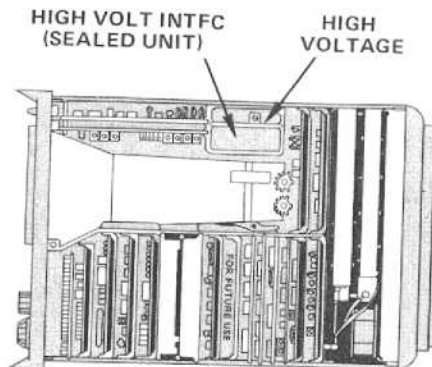
 **Static Sensitive Devices**
See Maintenance Section

COMPONENT NUMBER EXAMPLE



Chassis-mounted components have no Assembly Number prefix—see end of Replaceable Electrical Parts List

236



3482-189

HIGH VOLTAGE DIAGRAM 31

ASSEMBLY A74

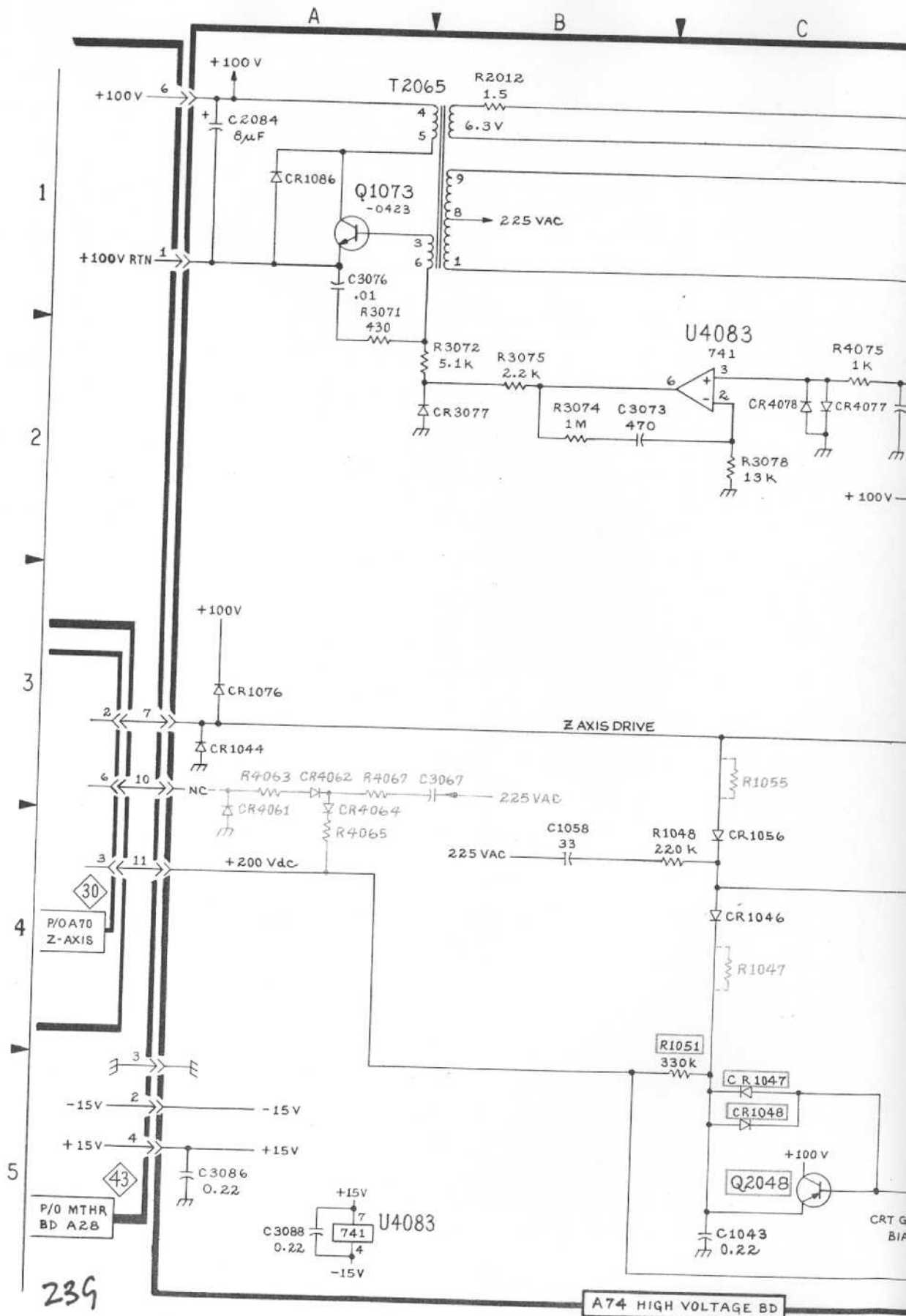
High Voltage

| CIRCUIT NUMBER | SCHEM LOCATION | BOARD LOCATION | CIRCUIT NUMBER | SCHEM LOCATION | BOARD LOCATION | CIRCUIT NUMBER | SCHEM LOCATION | BOARD LOCATION | CIRCUIT NUMBER | SCHEM LOCATION | BOARD LOCATION |
|----------------|----------------|----------------|----------------|----------------|----------------|----------------|----------------|----------------|----------------|----------------|----------------|
| C1038 | D2 | C1 | CR1048 | C5 | D1 | R1043 | D4 | D1 | R4038 | D1 | C4 |
| C1043 | C5 | D1 | CR1056 | C4 | E1 | R1048 | C4 | D1 | R4074 | D2 | G4 |
| C1058 | B4 | E1 | CR1076 | A3 | D1 | R1051 | C5 | E1 | R4075 | C2 | G4 |
| C2084 | A1 | H2 | CR1086 | A1 | H1 | R2012 | B1 | A2 | | | |
| C3073 | B2 | G3 | CR3077 | B2 | G3 | R2040 | D5 | D2 | T2065 | B1 | F2 |
| C3076 | A1 | G3 | CR4071 | D2 | G4 | R2050 | D5 | E1 | | | |
| C3086 | A5 | H3 | CR4077 | C2 | G4 | R3033 | D3 | C3 | U4083 | A5 | H4 |
| C3088 | A5 | H3 | CR4078 | C2 | G4 | R3071 | A2 | G3 | U4083 | C2 | H4 |
| C4072 | C2 | G4 | | | | R3072 | B2 | G3 | | | |
| | | | Q1073 | A1 | G1 | R3074 | B2 | G3 | VR1041 | D5 | D1 |
| CR1044 | A3 | D1 | Q2048 | C5 | D2 | R3075 | B2 | G3 | | | |
| CR1046 | C4 | E1 | | | | R3078 | C2 | G3 | W4036 | D1 | C4 |
| CR1047 | C5 | D1 | R1042 | D2 | D1 | R3079 | D2 | G3 | | | |

ASSEMBLY A74A1

High Voltage Interface

| CIRCUIT NUMBER | SCHEM LOCATION | BOARD LOCATION | CIRCUIT NUMBER | SCHEM LOCATION | BOARD LOCATION | CIRCUIT NUMBER | SCHEM LOCATION | BOARD LOCATION | CIRCUIT NUMBER | SCHEM LOCATION | BOARD LOCATION |
|----------------|----------------|----------------|----------------|----------------|----------------|----------------|----------------|----------------|----------------|----------------|----------------|
| C1031 | E4 | NA | CR2044 | E4 | ** | DS2058 | E3 | NA | R1044 | E4 | NA |
| C1041 | E3 | NA | CR2046 | E4 | ** | | | | R1053 | E4 | NA |
| C1047 | E2 | NA | CR4035 | F2 | NA | R1017A | E3 | NA | R1057 | E4 | NA |
| C4024 | E3 | NA | CR4041 | E2 | NA | R1017B | E2 | NA | R3035 | F2 | NA |
| C4027 | F2 | NA | | | | R1017C | E2 | NA | R3038 | F2 | NA |
| C5021 | E2 | NA | DS2052 | E4 | NA | R1017D | E2 | NA | | | |
| | | | DS2057 | E4 | NA | R1039 | F3 | NA | TP4028 | E1 | B1 |



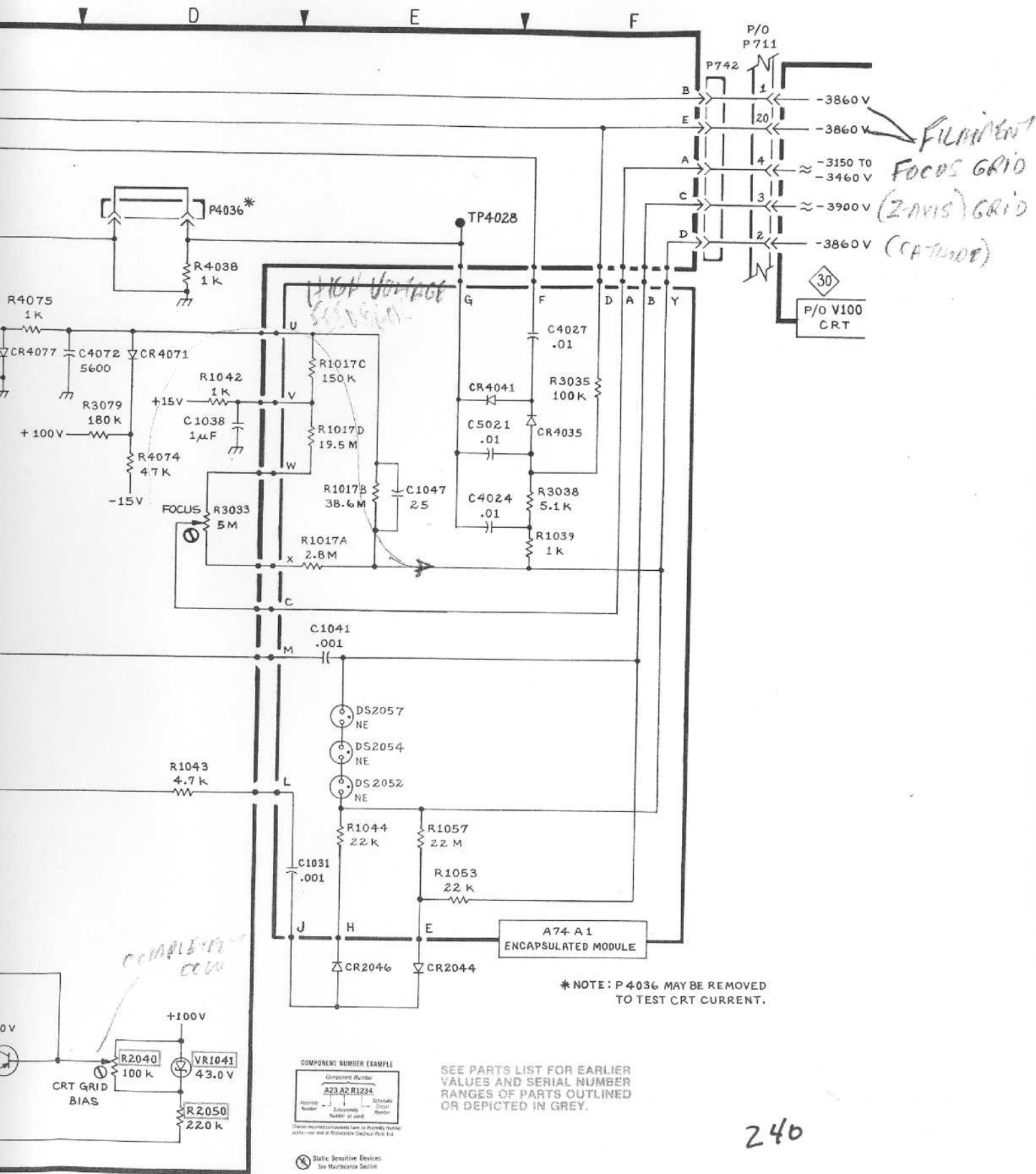
239

496/496P

A74 HIGH VOLTAGE BD

REV JAN 1982

3482-100



FILAMENT
 FOCUS GRID
 (Z-AXIS) GRID
 (CATHODE)

HIGH VOLTAGE
 RESISTOR

COMPLETE
 CCW

* NOTE : P 4036 MAY BE REMOVED
 TO TEST CRT CURRENT.

SEE PARTS LIST FOR EARLIER
 VALUES AND SERIAL NUMBER
 RANGES OF PARTS OUTLINED
 OR DEPICTED IN GREY.

COMPONENT NUMBER EXAMPLE

| | | | |
|------------------|----------|---------|--------|
| Component Number | | | |
| A23 A2 R1234 | | | |
| Assembly | Schedule | Control | Number |
| Number | Number | Number | at end |

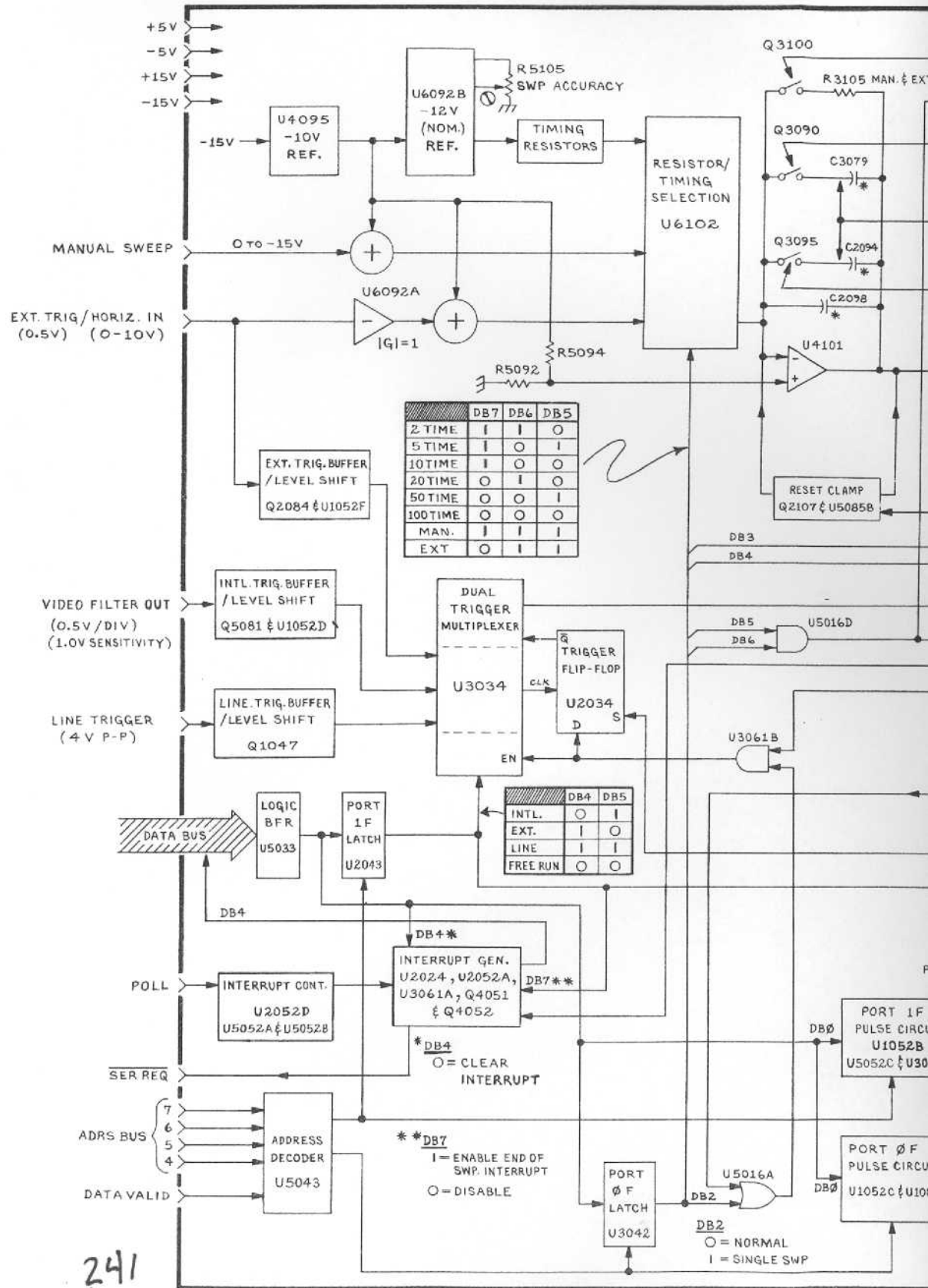
Check printed components for Assembly Number
 units - see end of Reproducible Section Parts List.

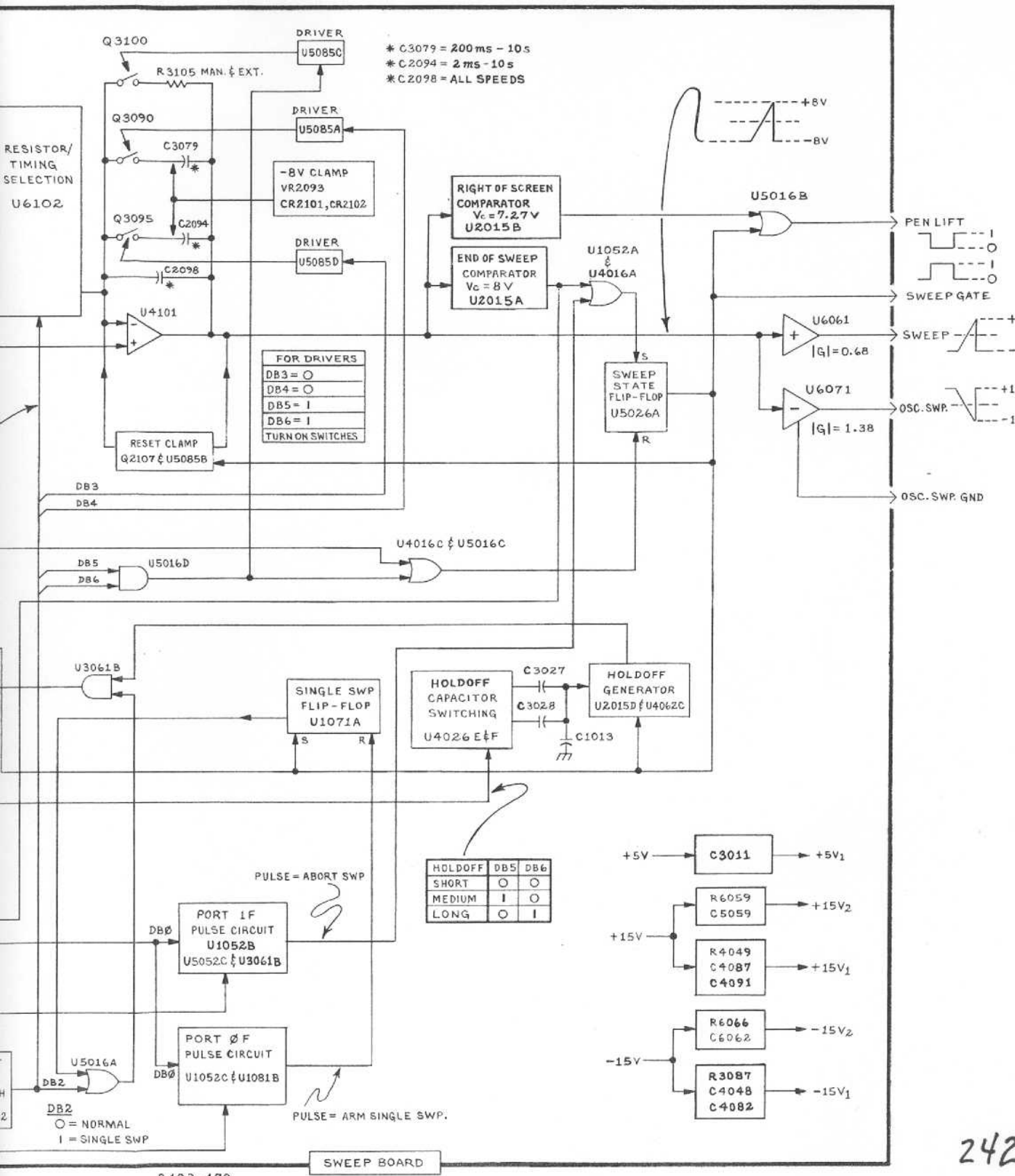
⊗ Static Sensitive Devices
 See Maintenance Section

240

HIGH VOLTAGE SUPPLY





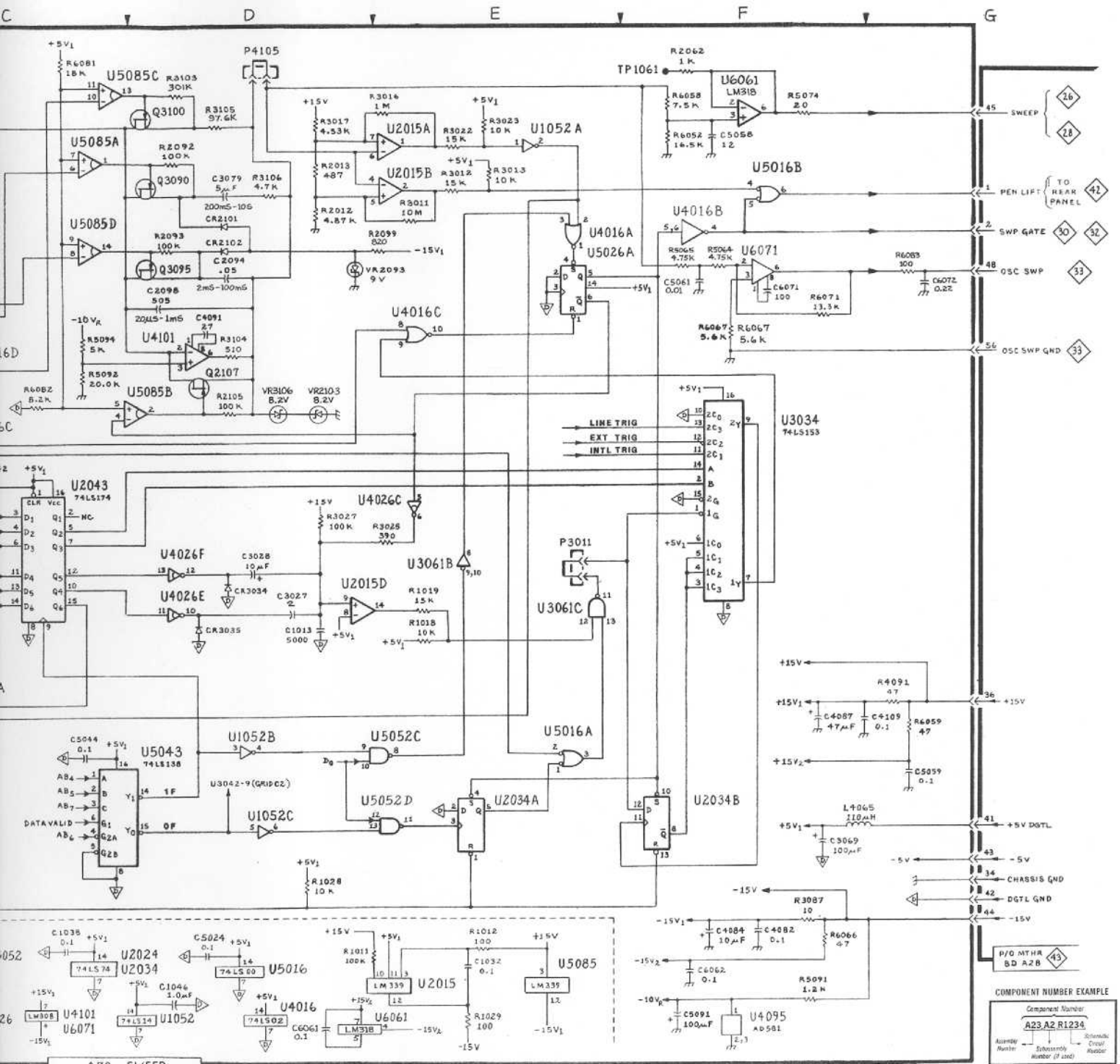


ASSEMBLY A72

| CIRCUIT NUMBER | SCHEM LOCATION | BOARD LOCATION | CIRCUIT NUMBER | SCHEM LOCATION | BOARD LOCATION | CIRCUIT NUMBER | SCHEM LOCATION | BOARD LOCATION | CIRCUIT NUMBER | SCHEM LOCATION | BOARD LOCATION |
|----------------|----------------|----------------|----------------|----------------|----------------|----------------|----------------|----------------|----------------|----------------|----------------|
| C1013 | D4 | A1 | Q1047 | B4 | D1 | R3104 | D2 | K3 | U1052E | B3 | E1 |
| C1032 | E5 | C1 | Q1078 | B3 | G1 | R3105 | D1 | K3 | U1052F | B3 | E1 |
| C1033 | A4 | B1 | Q2074 | A3 | G2 | R3106 | D1 | K3 | U2015A | E1 | A2 |
| C1038 | C5 | D1 | Q2084 | A3 | H3 | R4051 | B5 | E4 | U2015B | E1 | A2 |
| C1046 | D5 | D1 | Q2107 | D2 | K2 | R4052 | B5 | E4 | U2015D | D3 | A2 |
| C1083 | B3 | H1 | Q3090 | D1 | J3 | R4057 | B4 | E4 | U2024A | C4 | B2 |
| C2042 | C3 | D2 | Q3095 | D2 | J3 | R4058 | B4 | E4 | U2024B | B4 | B2 |
| C2067 | A3 | G3 | Q3100 | D1 | K3 | R4091 | G4 | H4 | U2034A | E4 | C2 |
| C2085 | A3 | H2 | Q4051 | A5 | E4 | R4098 | A2 | J5 | U2034B | F4 | C2 |
| C2094 | D2 | K2 | Q4052 | B4 | E4 | R4105 | A1 | K4 | U2043 | C3 | D2 |
| C2098 | D2 | J2 | | | | R5064 | F3 | F5 | U3034 | F3 | C3 |
| C3027 | D3 | B3 | R1011 | D5 | A1 | R5065 | F3 | F5 | U3042 | C2 | D3 |
| C3028 | D3 | B3 | R1012 | E5 | A1 | R5074 | F1 | G5 | U3061A | B4 | E2 |
| C3069 | F5 | F3 | R1018 | E4 | B1 | R5081 | A2 | G5 | U3061B | E2 | E3 |
| C3071 | A2 | G3 | R1019 | E3 | B1 | R5091 | F5 | J5 | U3061C | E3 | E2 |
| C3075 | A2 | G3 | R1028 | D5 | B1 | R5092 | C2 | J5 | U4016A | E2 | A4 |
| C3079 | D1 | J3 | R1029 | E5 | B1 | R5094 | C2 | J5 | U4016B | F3 | A4 |
| C4059 | C5 | E4 | R1034 | B5 | C1 | R5102 | B1 | K5 | U4016C | E2 | A4 |
| C4069 | B5 | F3 | R1035 | A4 | B1 | R5103 | B1 | K5 | U4016D | B5 | A4 |
| C4082 | F5 | G4 | R1036 | B4 | C1 | R5104 | B1 | K6 | U4026C | E3 | B4 |
| C4084 | F5 | H4 | R1043 | B2 | D1 | R5105 | A1 | J1 | U4026E | D3 | B4 |
| C4087 | F4 | G4 | R1073 | B3 | G1 | R6052 | F1 | F6 | U4026F | D3 | B4 |
| C4091 | D2 | J4 | R1082 | B3 | H1 | R6058 | F1 | F6 | U4095 | F5 | J4 |
| C4109 | F4 | K5 | R1084 | B3 | H1 | R6059 | G4 | F6 | U4101 | D2 | K4 |
| C5024 | D5 | B5 | R1085 | B3 | H1 | R6066 | F5 | F6 | U5016A | E4 | A5 |
| C5058 | F1 | F5 | R2012 | D1 | A2 | R6067 | F3 | G5 | U5016B | F1 | A5 |
| C5059 | G4 | E5 | R2013 | D1 | A2 | R6071 | F3 | G5 | U5016C | C2 | A5 |
| C5061 | F3 | F5 | R2062 | F1 | F2 | R6081 | C1 | H5 | U5016D | C2 | A5 |
| C5078 | A2 | G4 | R2066 | A3 | F2 | R6082 | C2 | H5 | U5026A | E2 | B5 |
| C5091 | F5 | J5 | R2077 | A3 | G3 | R6083 | G2 | G6 | U5033 | A5 | C5 |
| C6061 | D5 | F5 | R2078 | B3 | G2 | R6086 | A2 | H6 | U5043 | C4 | D5 |
| C6062 | F5 | F6 | R2081 | A2 | G2 | R6091 | A2 | H6 | U5052A | A4 | E5 |
| C6071 | F3 | G5 | R2082 | A3 | H2 | R6092 | A2 | H6 | U5052B | A4 | E5 |
| C6072 | G2 | G6 | R2083 | A3 | H2 | R6094 | B2 | J6 | U5052C | D4 | E5 |
| C7092 | A1 | J7 | R2092 | D1 | J2 | R6095 | B2 | J6 | U5052D | E5 | E5 |
| | | | R2093 | D2 | J2 | R6101 | A1 | K6 | U5085A | C1 | H5 |
| CR1035 | B4 | C1 | R2099 | D2 | J2 | R6102 | A1 | K6 | U5085B | C2 | H5 |
| CR1088 | A3 | H1 | R2105 | D2 | K2 | R6103 | B2 | K6 | U5085C | C1 | H5 |
| CR1089 | A3 | H1 | R3011 | E1 | A3 | R6104 | B2 | K6 | U5085D | C2 | H5 |
| CR2075 | A2 | G2 | R3012 | E1 | A3 | R7091 | A1 | J7 | U6061 | F1 | F6 |
| CR2086 | A2 | H2 | R3013 | E1 | A3 | R7093 | A1 | J7 | U6071 | F3 | G6 |
| CR2101 | D2 | K2 | R3016 | E1 | B3 | R7101 | B2 | K7 | U6092A | A2 | J6 |
| CR2102 | D2 | K2 | R3017 | D1 | B2 | R7102 | A2 | K7 | U6092B | A1 | J6 |
| CR3034 | D3 | C3 | R3022 | E1 | B3 | R7103 | A1 | J7 | U6102 | B1 | K6 |
| CR3035 | D4 | C3 | R3023 | E1 | B3 | | | | | | |
| | | | R3025 | E3 | B3 | TP1061 | F1 | F1 | VR2093 | D2 | J2 |
| L4065 | F5 | F4 | R3027 | D3 | B3 | | | | VR2103 | D2 | K2 |
| | | | R3082 | A2 | G3 | U1052A | E1 | E1 | VR3106 | D2 | K3 |
| P1028 | B4 | B1 | R3086 | A3 | H3 | U1052B | A4 | E1 | VR6086 | A2 | H6 |
| P3011 | E3 | A3 | R3087 | F5 | H3 | U1052B | D4 | E1 | | | |
| P4105 | D1 | K4 | R3103 | D1 | K3 | U1052C | D5 | E1 | | | |



Digitally signed by
<http://www.aa4df.com>



348Z-101
REV MAY 1983

Static Sensitive Devices
See Maintenance Section

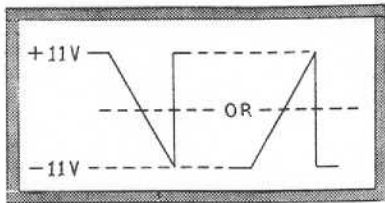
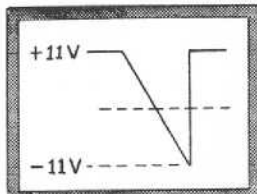
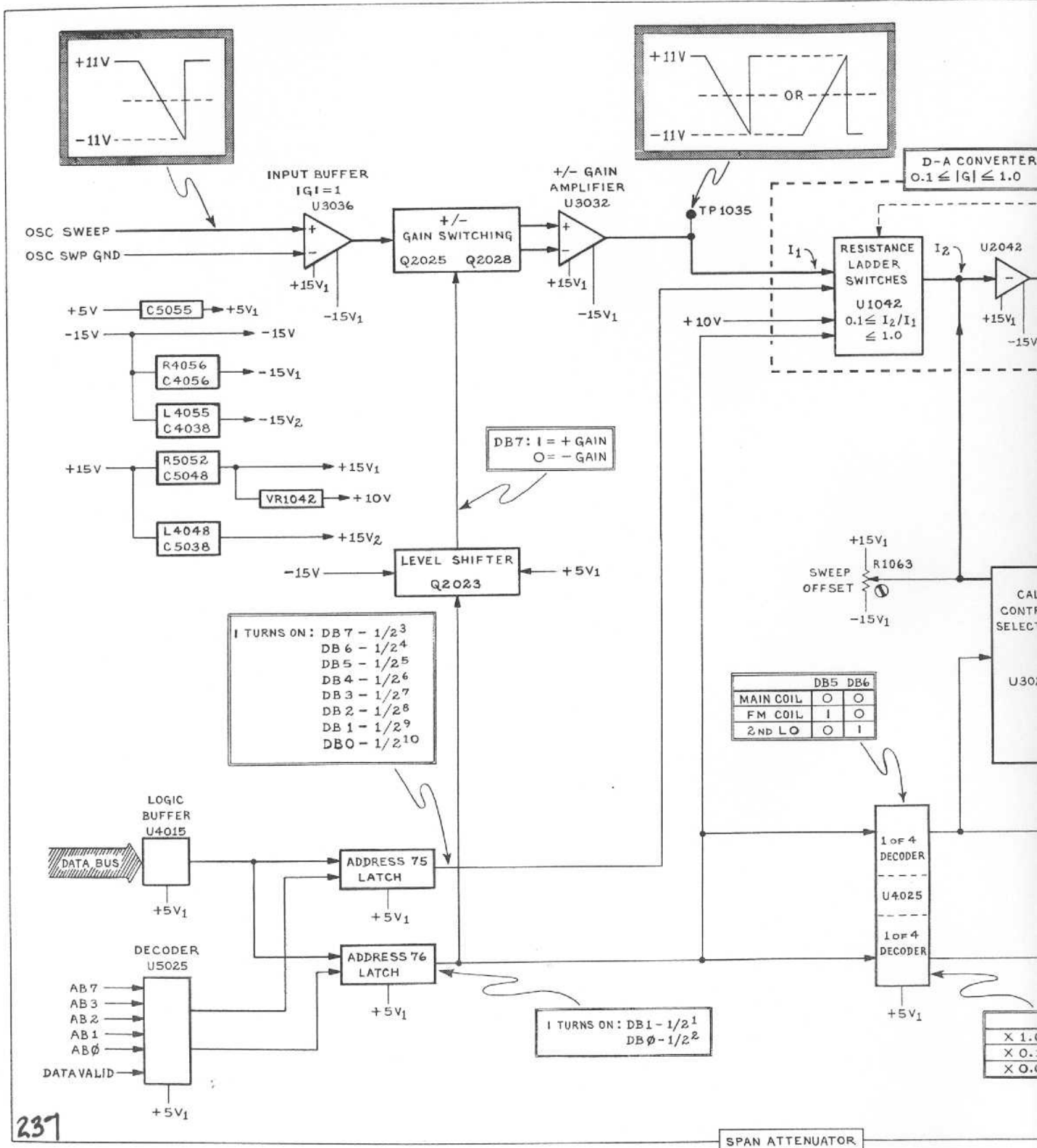
SWEEP 32

COMPONENT NUMBER EXAMPLE

| | |
|----------------------------|------------|
| Component Number | A23A2R1234 |
| Assembly Number | 1 |
| Schematic Number (if used) | Cross Ref |

Check-oriented component base on Assembly Number
grades - see end of Realistic Electrical Parts List.

236



D-A CONVERTER
 $0.1 \leq |G| \leq 1.0$

INPUT BUFFER
 $|G|=1$
 U3036

+/- GAIN
 AMPLIFIER
 U3032

+/-
 GAIN SWITCHING
 Q2025 Q2028

RESISTANCE
 LADDER
 SWITCHES
 U1042
 $0.1 \leq I_2/I_1 \leq 1.0$

U2042

DB7: 1 = + GAIN
 0 = - GAIN

LEVEL SHIFTER
 Q2023

I TURNS ON: DB 7 - $1/2^3$
 DB 6 - $1/2^4$
 DB 5 - $1/2^5$
 DB 4 - $1/2^6$
 DB 3 - $1/2^7$
 DB 2 - $1/2^8$
 DB 1 - $1/2^9$
 DB 0 - $1/2^{10}$

| | DB5 | DB6 |
|-----------|-----|-----|
| MAIN COIL | 0 | 0 |
| FM COIL | 1 | 0 |
| 2ND LO | 0 | 1 |

LOGIC
 BUFFER
 U4015

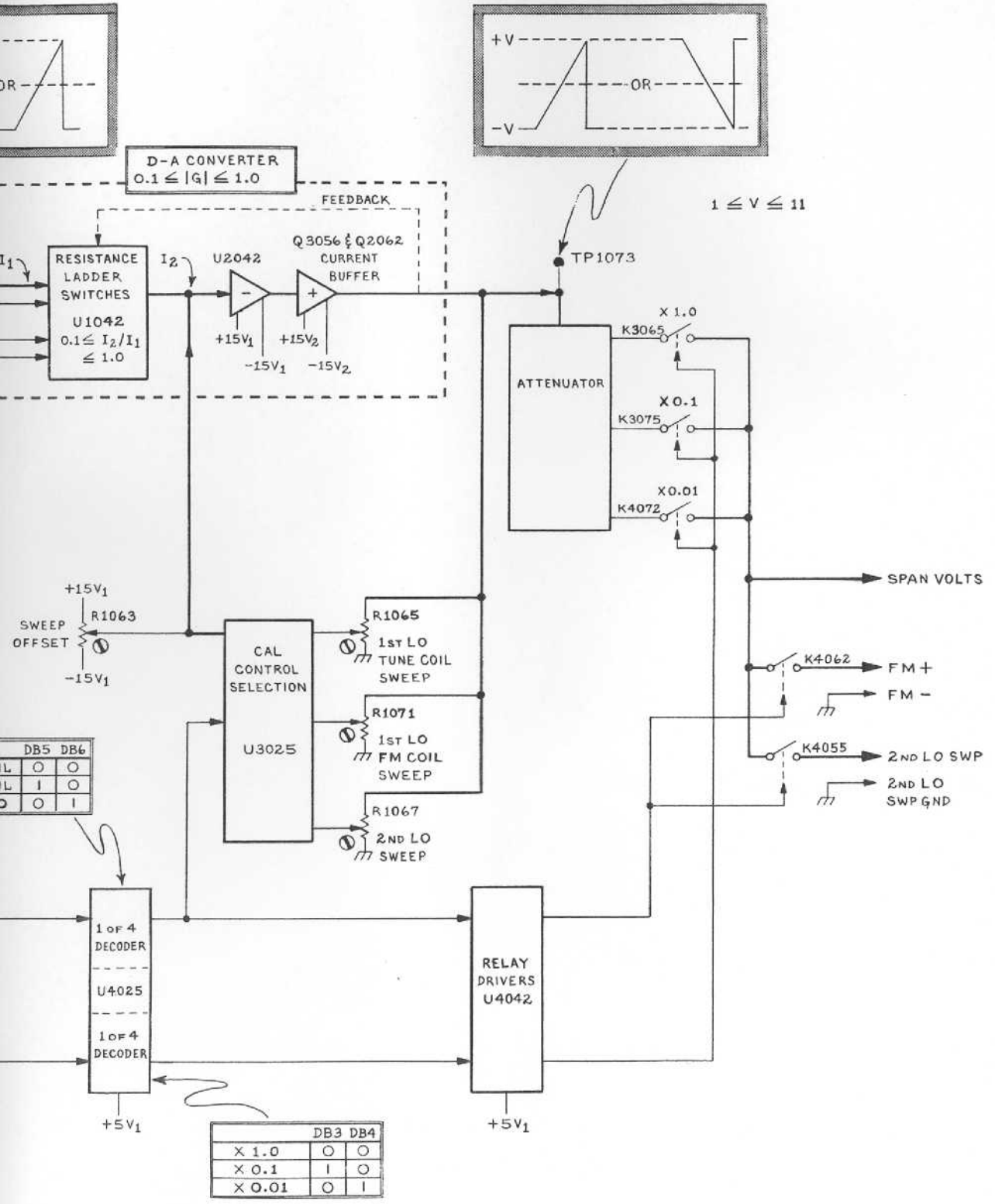
ADDRESS 75
 LATCH

ADDRESS 76
 LATCH

1 OF 4
 DECODER
 U4025
 1 OF 4
 DECODER

I TURNS ON: DB 1 - $1/2^1$
 DB 0 - $1/2^2$

| |
|--------|
| X 1.0 |
| X 0.1 |
| X 0.01 |

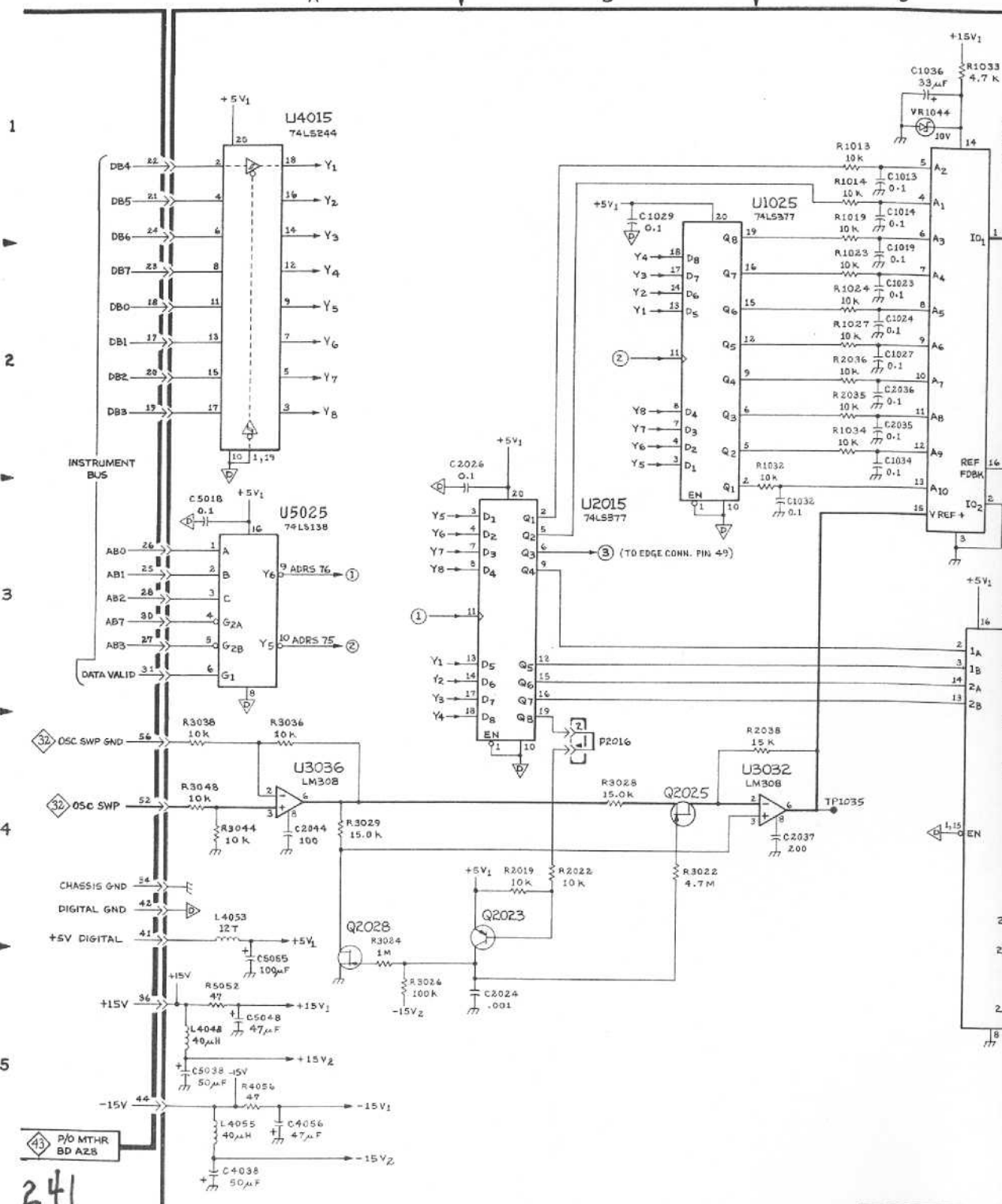


ASSEMBLY A48

Span Attenuator

| CIRCUIT NUMBER | SCHEM LOCATION | BOARD LOCATION | CIRCUIT NUMBER | SCHEM LOCATION | BOARD LOCATION | CIRCUIT NUMBER | SCHEM LOCATION | BOARD LOCATION |
|----------------|----------------|----------------|----------------|----------------|----------------|----------------|----------------|----------------|
| C1013 | C1 | A1 | L4048 | A5 | D4 | R2074 | F2 | F2 |
| C1014 | C1 | A1 | L4053 | A4 | E5 | R2076 | F2 | F2 |
| C1019 | C2 | A1 | L4055 | A5 | D4 | R3022 | B4 | B2 |
| C1023 | C2 | B1 | | | | R3024 | A5 | B2 |
| C1024 | C2 | B1 | P2016 | B4 | A2 | R3026 | A5 | B3 |
| C1027 | C2 | B1 | | | | R3028 | B4 | B2 |
| C1029 | B1 | B1 | Q2023 | B4 | B2 | R3029 | A4 | B3 |
| C1032 | C3 | B1 | Q2025 | B4 | B2 | R3036 | A4 | C3 |
| C1034 | C2 | C1 | Q2028 | A5 | B2 | R3038 | A4 | C3 |
| C1036 | C1 | C1 | Q2062 | D1 | E2 | R3042 | D4 | C3 |
| C1058 | D1 | D1 | Q3056 | D2 | D2 | R3044 | A4 | C2 |
| C2024 | B5 | B2 | | | | R3046 | D3 | C2 |
| C2026 | B3 | B2 | R1013 | C1 | A1 | R3047 | F4 | D3 |
| C2035 | C2 | C2 | R1014 | C1 | A1 | R3048 | A4 | D3 |
| C2036 | C2 | C2 | R1019 | C1 | A1 | R4032 | D3 | B3 |
| C2037 | C4 | C2 | R1023 | C2 | B1 | R4034 | D3 | C3 |
| C2042 | D2 | C1 | R1024 | C2 | B1 | R4035 | D4 | C3 |
| C2044 | A4 | C2 | R1027 | C2 | B1 | R4036 | D3 | B4 |
| C2050* | D1 | E2 | R1032 | C3 | B1 | R4037 | D3 | B4 |
| C2052 | D2 | D2 | R1033 | C1 | B1 | R4038 | D3 | B4 |
| C3031 | D3 | B3 | R1034 | C2 | B1 | R4056 | A5 | D4 |
| C3032 | D4 | B3 | R1046 | C2 | D1 | R4064 | F1 | F5 |
| C4035 | D4 | C3 | R1052 | D1 | D1 | R4065 | F1 | G2 |
| C4038 | A5 | C4 | R1054 | D1 | D1 | R4066 | F1 | F4 |
| C4056 | A5 | D4 | R1056 | C2 | D1 | R5052 | A5 | D4 |
| C5013* | D2 | A5 | R1058 | D2 | D1 | R5058 | F3 | D4 |
| C5018 | A3 | A4 | R1059 | D1 | D1 | R5068 | F4 | E4 |
| C5038 | A5 | C4 | R1063 | D2 | E1 | | | |
| C5048 | A5 | D4 | R1065 | E3 | F1 | TP1035 | C4 | C1 |
| C5055 | A5 | D4 | R1067 | E4 | E1 | TP1073 | D1 | E1 |
| | | | R1071 | E4 | E1 | | | |
| CR1049 | D1 | D1 | R1077 | F2 | F2 | U1025 | B2 | B1 |
| CR1051 | D1 | D1 | R2019 | B4 | A2 | U1042 | C1 | C1 |
| CR1056 | D2 | D1 | R2022 | B4 | A2 | U2015 | B3 | A2 |
| CR1061 | D1 | D1 | R2035 | C2 | C1 | U2042 | D1 | C2 |
| CR2051 | D2 | E2 | R2036 | C2 | C2 | U3025 | D3 | B3 |
| CR2053 | D2 | E2 | R2038 | C4 | C2 | U3032 | C4 | B2 |
| CR3056 | F4 | D3 | R2044 | D4 | C2 | U3036 | A4 | C2 |
| CR4056 | F3 | D4 | R2046 | C2 | C2 | U4015 | A1 | A3 |
| CR4062 | E2 | F3 | R2048 | D2 | D2 | U4025 | C3 | B3 |
| CR4068 | F3 | E4 | R2049 | D2 | D2 | U4042 | E4 | C3 |
| CR4069 | E2 | E3 | R2050* | D1 | E2 | U5025 | A3 | B4 |
| | | | R2051 | D2 | D2 | | | |
| K3065 | E2 | E3 | R2053 | D1 | D2 | VR1044 | C1 | C2 |
| K3075 | F2 | E3 | R2066 | E2 | E2 | | | |
| K4055 | F4 | D3 | R2068 | F2 | E2 | | | |
| K4062 | F3 | E4 | R2072 | F2 | E2 | | | |
| K4072 | F3 | E4 | | | | | | |

*See Parts List for serial number ranges.

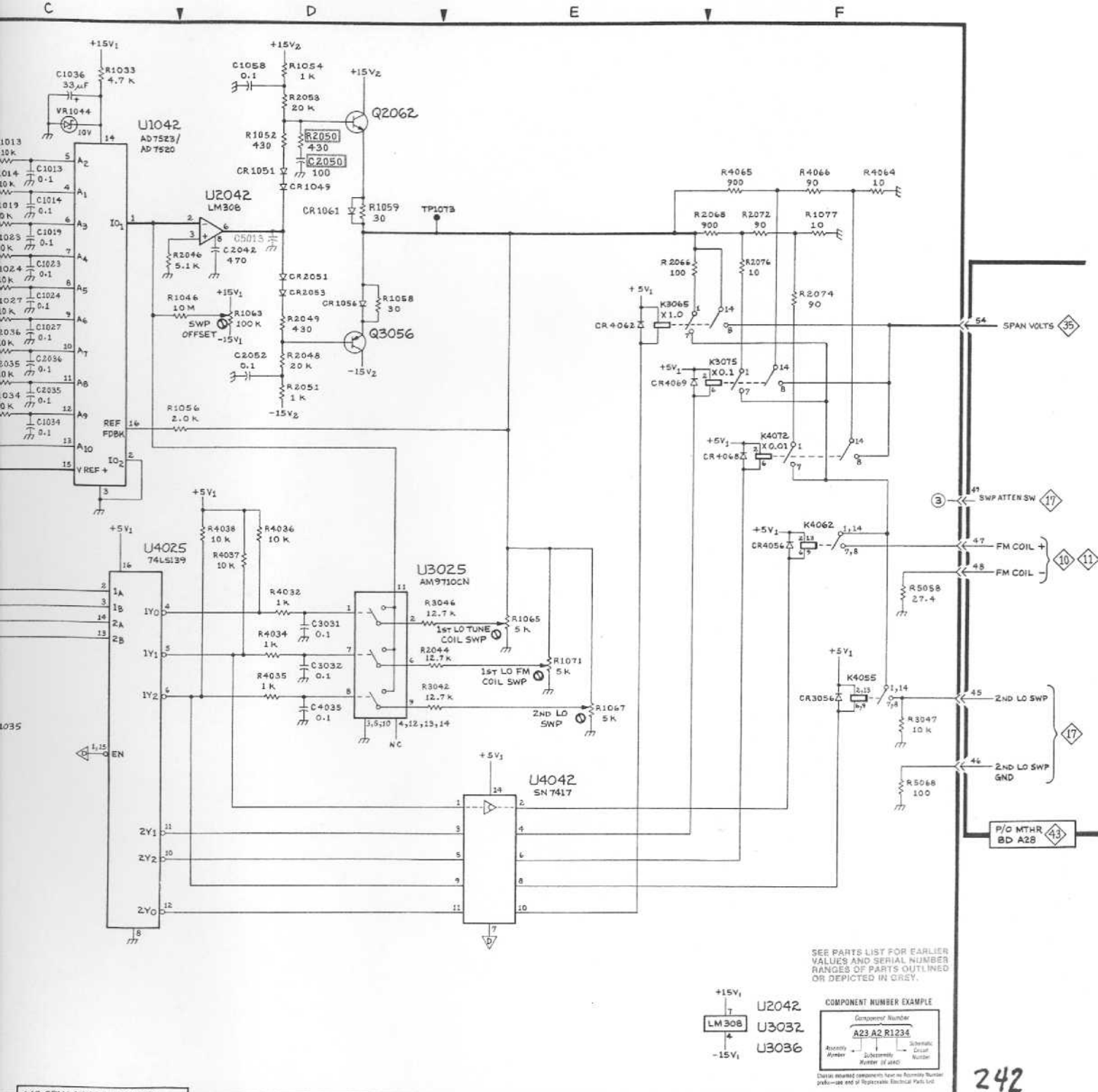


496/496P

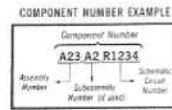
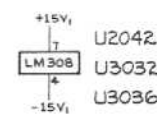
A48 SPAN ATTENUATOR B...

REV JUL 1982

241



SEE PARTS LIST FOR EARLIER VALUES AND SERIAL NUMBER RANGES OF PARTS OUTLINED OR DEPICTED IN GREY.



Check all installed components have the Assembly Number and/or the Subassembly Number and/or the Schematic Part Number.

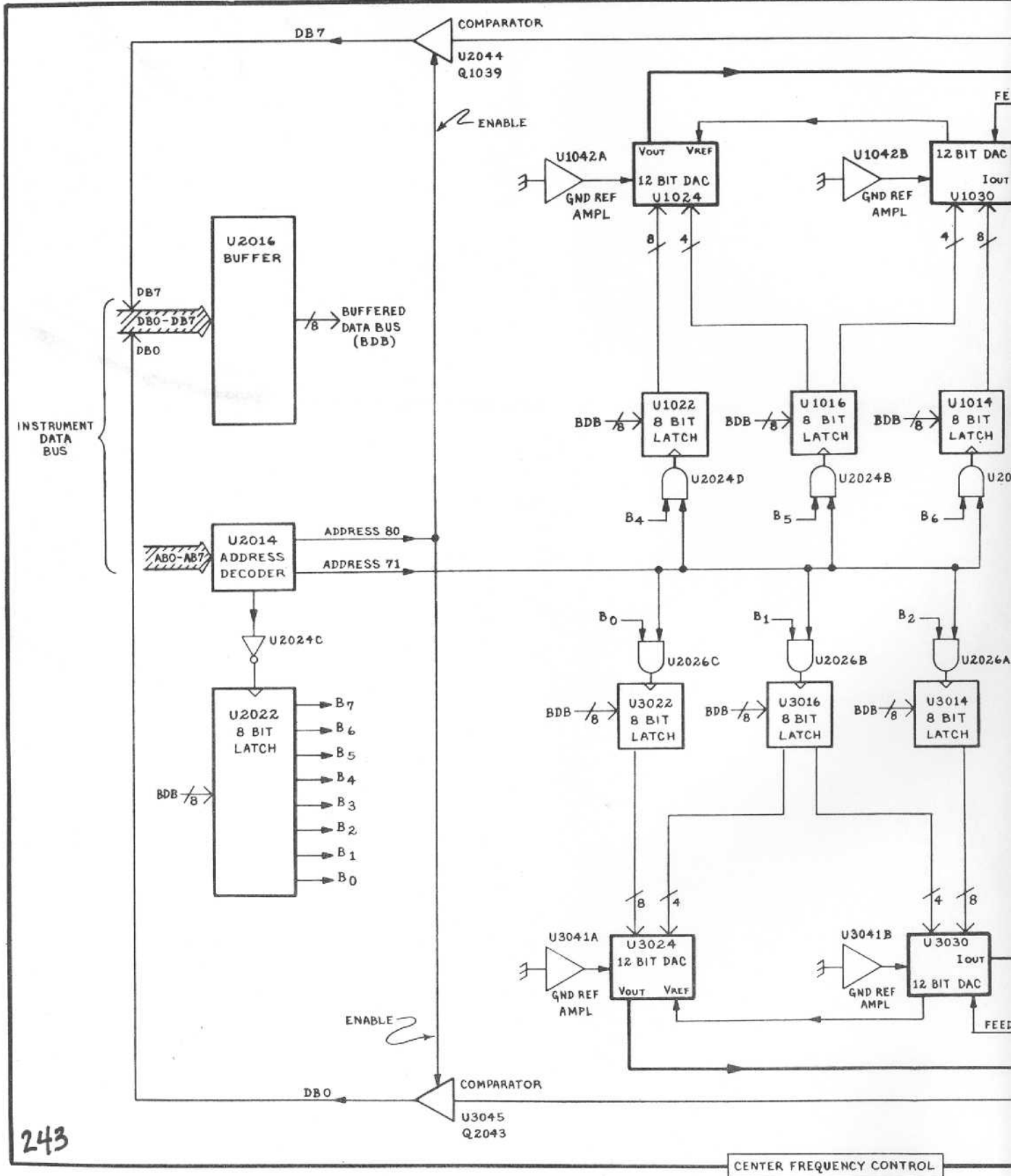
A48 SPAN ATTENUATOR BD. 3482-102

REV JUL 1982

Static Sensitive Devices See Maintenance Section

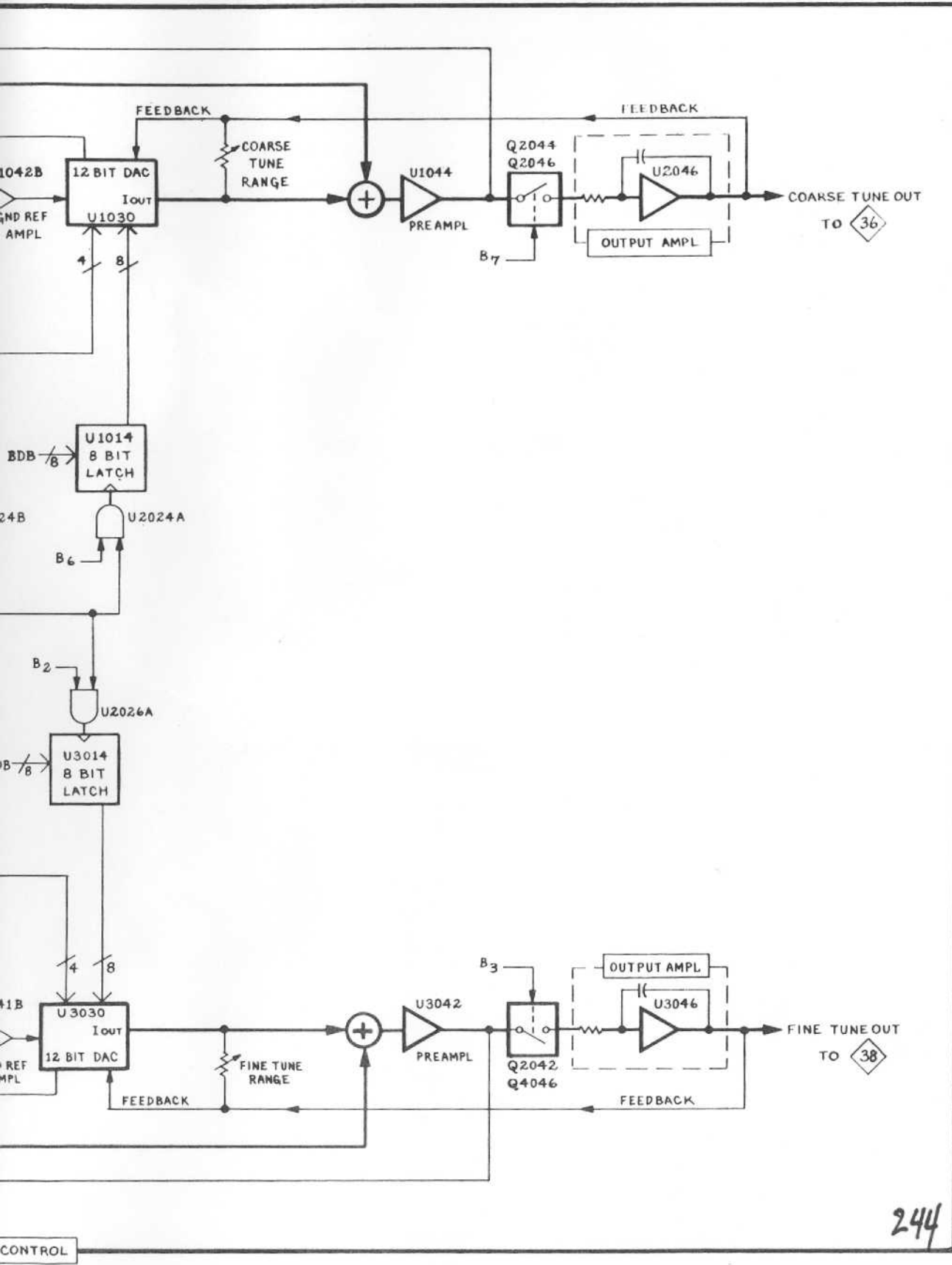
SPAN ATTENUATOR 33

242



243

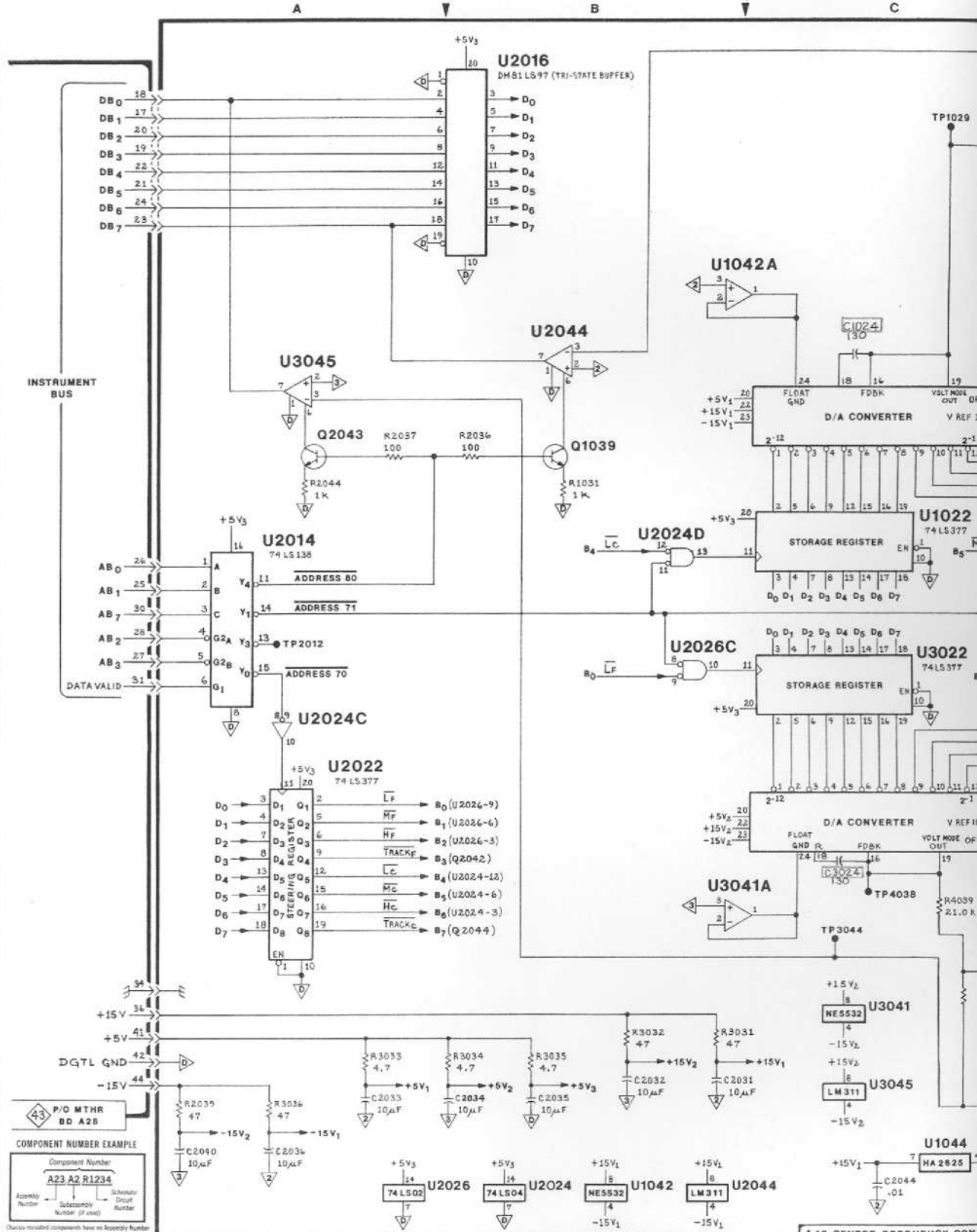
CENTER FREQUENCY CONTROL



244

670 7939 00

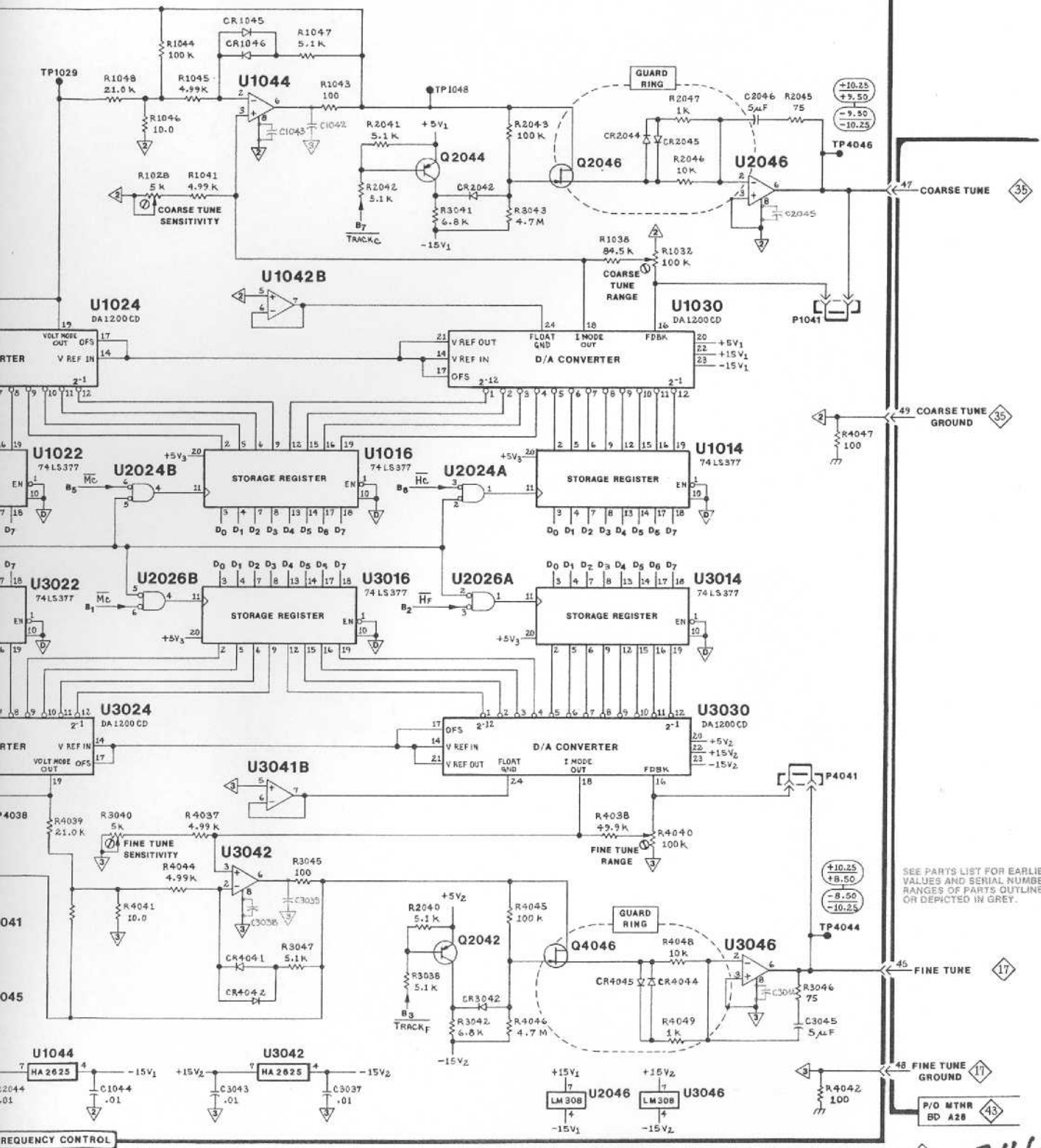
Fig



496/496P

245

A 46 CENTER FREQUENCY CON



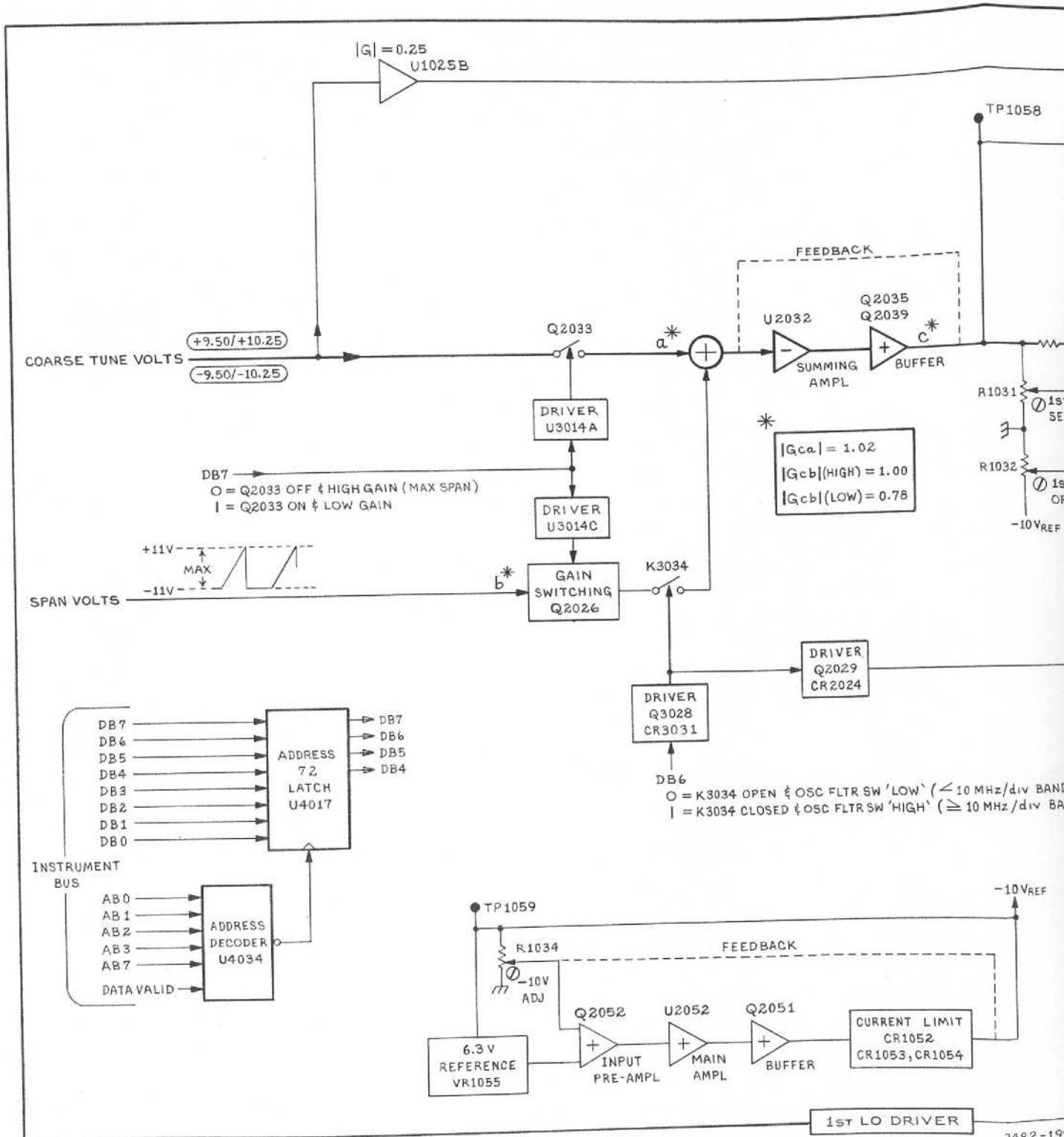
SEE PARTS LIST FOR EARLIER VALUES AND SERIAL NUMBER RANGES OF PARTS OUTLINED OR DEPICTED IN GREY.

3962-103
REV MAY 1983

Static Sensitive Devices
See Maintenance Section

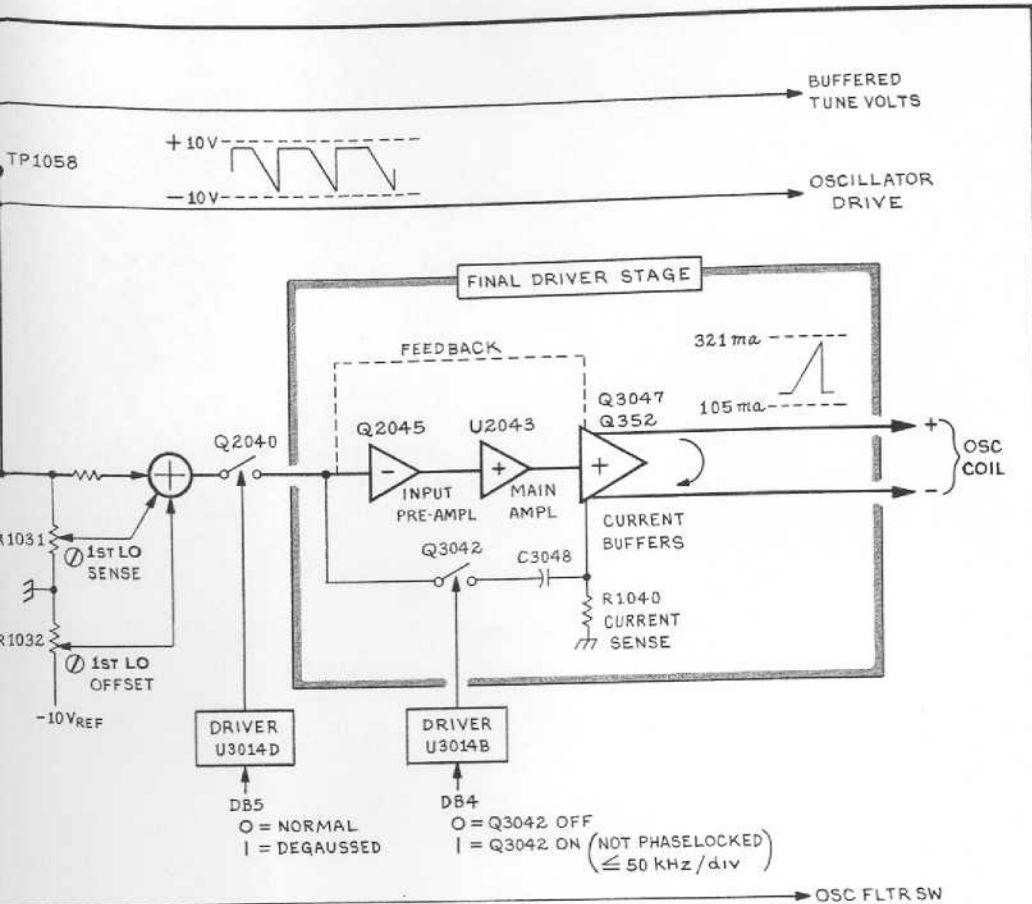
CENTER FREQUENCY CONTROL (SN 8010399 & BELOW)

246



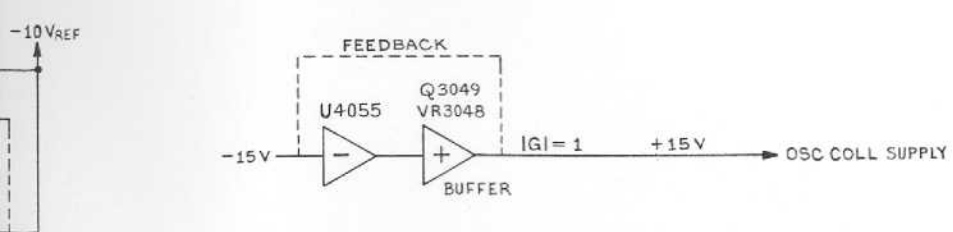
247

1st LO DRIVER CKT BD LOC & BLOCK DIAG



Hz/div BAND 1)

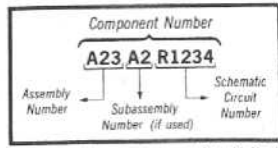
MHz/div BAND 1)



Static Sensitive Devices
See Maintenance Section

248

COMPONENT NUMBER EXAMPLE



Chassis-mounted components have no Assembly Number prefix—see end of Replaceable Electrical Parts List.

3482-199

ASSEMBLY A46

Center Frequency Control

DIAGRAM 34

| CIRCUIT NUMBER | SCHEM LOCATION | BOARD LOCATION | CIRCUIT NUMBER | SCHEM LOCATION | BOARD LOCATION | CIRCUIT NUMBER | SCHEM LOCATION | BOARD LOCATION |
|----------------|----------------|----------------|----------------|----------------|----------------|----------------|----------------|----------------|
| C1024*† | C1 | C2 | R1041 | C1 | D1 | R4045 | D4 | D4 |
| C1042† | D1 | D1 | | | | R4046 | D4 | D4 |
| C1043 | D1 | D1 | R1043 | C1 | D1 | R4047 | E1 | D4 |
| C1044 | A4 | D1 | R1044 | C1 | D1 | R4048 | E4 | D4 |
| C2031 | A3 | C2 | R1045 | C1 | D1 | R4049 | E4 | D4 |
| C2032 | A3 | C2 | R1046 | C1 | D1 | | | |
| C2033 | A3 | C2 | R1047 | C1 | D1 | TP1029 | B1 | B1 |
| C2034 | A3 | C2 | R1048 | C1 | D1 | TP3044 | A2 | D3 |
| C2035 | A3 | C2 | R2036 | B2 | C2 | TP4038 | C4 | C4 |
| C2036 | A4 | C2 | R2037 | A2 | C2 | TP4044 | E4 | D4 |
| C2040 | A4 | D2 | R2039 | A4 | C2 | TP4046 | E1 | D4 |
| C2044 | A4 | D2 | R2040 | D4 | D2 | | | |
| C2045 | F1 | D2 | R2041 | D1 | D2 | U1014 | E3 | A1 |
| C2046 | F1 | D2 | R2042 | D1 | D2 | U1016 | D2 | A1 |
| C3024*† | C4 | B4 | R2043 | E1 | D2 | U1022 | C2 | B1 |
| C3037 | B4 | C3 | R2044 | A2 | D2 | U1042A | B2 | D1 |
| C3038 | D4 | C3 | R2045 | E1 | D2 | U1042B | E3 | D1 |
| C3039† | D4 | D3 | R2046 | E1 | D2 | U1044 | C1 | D1 |
| C3043 | B4 | D3 | R2047 | E1 | D2 | U2014 | A2 | A2 |
| C3044 | F5 | D3 | R3026 | E3 | D2 | U2016 | A1 | A2 |
| C3045 | E4 | D3 | R3031 | A3 | C3 | U2022 | A3 | B2 |
| | | | R3032 | A3 | C3 | U2024A | D2 | B2 |
| CR1045 | C1 | D1 | R3033 | A3 | C3 | U2024B | C2 | B2 |
| CR1046 | C1 | D1 | R3034 | A3 | C3 | U2024C | A3 | B2 |
| CR2042 | D1 | D3 | R3035 | A3 | C3 | U2024D | B2 | B2 |
| CR2044 | E1 | D2 | R3036 | A4 | C3 | U2026A | D3 | B2 |
| CR2045 | E1 | D2 | R3038 | D4 | C3 | U2026B | C3 | B2 |
| CR3042 | D4 | D3 | R3040 | C4 | D3 | U2026C | B3 | B2 |
| CR4041 | C4 | D4 | R3041 | D1 | D3 | U2044 | A1 | D2 |
| CR4042 | C4 | D4 | R3042 | D4 | D3 | U2046 | E1 | D2 |
| CR4044 | D4 | D4 | R3043 | E1 | D3 | U3014 | E3 | A3 |
| CR4045 | E4 | D4 | R3045 | D4 | D3 | U3016 | D3 | A3 |
| | | | R3045 | D4 | D3 | U3022 | C3 | B4 |
| P1041 | E1 | D1 | R3046 | E4 | D3 | U3041A | B3 | D3 |
| P4041 | E4 | D4 | R3047 | C4 | D3 | U3041B | D4 | D3 |
| | | | R4037 | C4 | C4 | U3042 | C4 | D3 |
| Q1039 | A2 | C2 | R4038 | E4 | C4 | U3045 | A2 | D3 |
| Q2042 | D4 | D2 | R4039 | C4 | C4 | U3046 | E4 | D3 |
| Q2043 | A2 | D2 | R4040 | E4 | D4 | | | |
| Q2044 | D1 | D2 | R4041 | C4 | D4 | | | |
| Q2046 | E1 | D2 | R4042 | E4 | D4 | | | |
| Q4046 | E1 | D4 | R4043 | C4 | D4 | | | |
| R1026 | E3 | | R4044 | C4 | D4 | | | |
| R1028 | D2 | D1 | | | | | | |
| R1031 | A2 | D1 | | | | | | |
| R1032 | E1 | C1 | | | | | | |
| R1038 | E1 | C1 | | | | | | |

ASSEMBLY A46A1

| | | |
|--------|----|----|
| C1011 | D2 | A1 |
| C1014 | D2 | A1 |
| CR1016 | D2 | A2 |
| CR1017 | D2 | A2 |
| CR1018 | C2 | B2 |
| Q1018 | C2 | B2 |

ASSEMBLY A46A3

| | | |
|--------|----|----|
| C3011 | D3 | A3 |
| C3014 | D3 | A3 |
| CR3016 | D3 | A3 |
| CR3017 | D3 | A3 |
| CR3018 | D3 | A3 |
| Q3018 | D3 | B3 |

DAC 1200 INTERFACE

| | | |
|-------|----|----|
| R1012 | D2 | A1 |
| R1014 | D2 | A1 |
| R1016 | D2 | A2 |
| R1018 | C2 | B2 |
| U1012 | D2 | A1 |
| U102C | C2 | B1 |
| U1026 | E2 | C1 |

DAC 1200 INTERFACE

| | | |
|-------|----|----|
| R3012 | D3 | A3 |
| R3014 | D3 | A3 |
| R3016 | D3 | A4 |
| R3018 | D3 | A4 |
| U3012 | D3 | A4 |
| U3020 | C3 | B4 |
| U3026 | C3 | B4 |

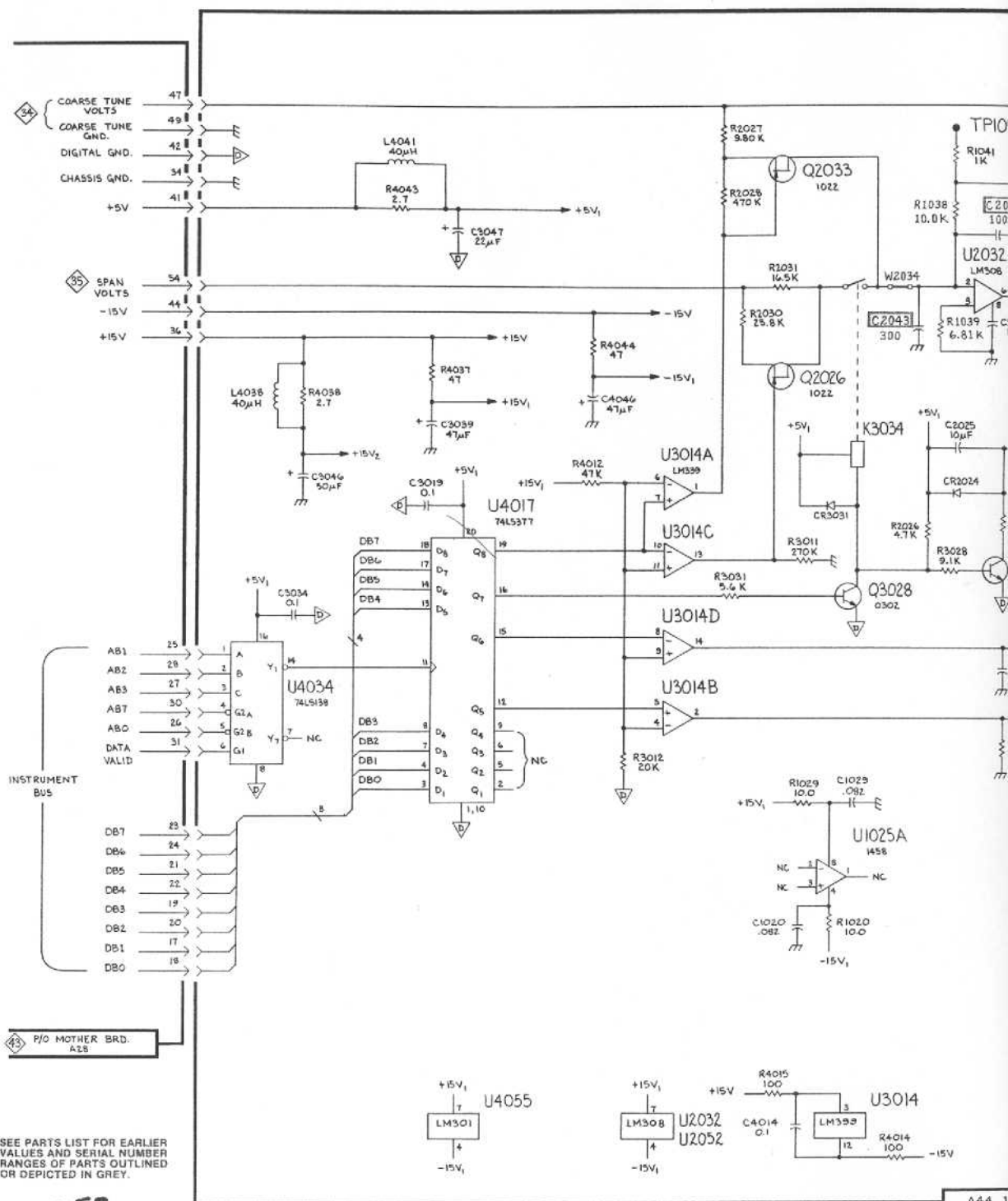
*See Parts List for serial number ranges.

†Located on back of board.

ASSEMBLY A44

| CIRCUIT NUMBER | SCHEM LOCATION | BOARD LOCATION | CIRCUIT NUMBER | SCHEM LOCATION | BOARD LOCATION | CIRCUIT NUMBER | SCHEM LOCATION | BOARD LOCATION |
|----------------|----------------|----------------|----------------|----------------|----------------|----------------|----------------|----------------|
| C2025 | C2 | B2 | Q3042 | D3 | D3 | R3012 | B3 | A3 |
| C2042* | C2 | D2 | Q3047 | E2 | D3 | R3028 | C2 | B2 |
| C2043* | C2 | D2 | Q3049 | F3 | D3 | R3031 | B3 | C3 |
| C2044 | C2 | D2 | | | | R3040 | D3 | D3 |
| C2045 | E2 | D2 | R1027 | E1 | B1 | R3041 | C2 | D3 |
| C2046 | E2 | D2 | R1028 | E1 | B1 | R3042 | D3 | D3 |
| C2048 | E2 | D2 | R1030* | F1 | B1 | R3046 | E2 | D3 |
| C2050 | E4 | E2 | R1031 | D2 | C1 | R3048 | E2 | D3 |
| C2051 | E4 | E2 | R1032 | C2 | C1 | R3049 | E3 | D3 |
| C2054 | E4 | E2 | R1034 | D4 | C1 | R3050 | E3 | E4 |
| C2056 | D5 | E2 | R1035 | C2 | C1 | R4012 | B2 | A4 |
| C3019 | A2 | A3 | R1036 | C2 | C1 | R4014 | C5 | A4 |
| C3034 | A3 | C3 | R1037 | D4 | C1 | R4015 | B5 | A4 |
| C3038 | D3 | C3 | R1038 | C1 | C1 | R4037 | A2 | D4 |
| C3039 | A2 | D3 | R1039 | C2 | C1 | R4038 | A2 | D4 |
| C3045 | E2 | D3 | R1040 | E3 | D1 | R4043 | A1 | D4 |
| C3046 | A2 | D3 | R1041 | C1 | D1 | R4044 | B2 | D4 |
| C3047 | A1 | D4 | R1042 | E2 | D1 | R4051 | E3 | E4 |
| C3048 | E2 | D3 | R1043 | E1 | D1 | R4052 | E4 | E4 |
| C3055 | F4 | E3 | R1044 | E2 | D1 | R4053 | E4 | E4 |
| C4014 | B5 | A4 | R1045 | E3 | D1 | R4054 | F4 | E4 |
| C4046 | B2 | D4 | R1046 | E3 | D1 | | | |
| C4055 | E3 | E4 | R1047 | E4 | D1 | TP1058 | C1 | E1 |
| | | | R1048 | E4 | D1 | TP1059 | E4 | E1 |
| CR1052 | F4 | E1 | R1049 | E4 | D1 | | | |
| CR1053 | E4 | E1 | R1050 | E4 | D1 | U1025A | B4 | B1 |
| CR1054 | E4 | E1 | R1051 | E4 | E1 | U1025B | F1 | B1 |
| CR2024 | C2 | B2 | R1052 | D4 | E1 | U2032 | B5 | C2 |
| CR3031 | B2 | C3 | R1053 | E4 | E1 | U2032 | C2 | C2 |
| CR3044 | D3 | D3 | R1054 | F4 | E1 | U2043 | E2 | D2 |
| CR3047 | E2 | D3 | R1055 | D4 | E1 | U2052 | B5 | E2 |
| | | | R2026 | C2 | B2 | U2052 | E4 | E2 |
| K3034 | C2 | C3 | R2027 | B1 | B2 | U3014A | B2 | A3 |
| | | | R2028 | B1 | B2 | U3014 | B5 | A3 |
| L4038 | A2 | C4 | R2029 | C2 | B2 | U4017 | A3 | A4 |
| L4041 | A1 | D4 | R2030 | B2 | C2 | U4034 | A3 | C3 |
| | | | R2031 | B2 | C2 | U4034 | A3 | C4 |
| P3043 | F2 | D3 | R2036 | D2 | C2 | U4055 | A3 | E4 |
| | | | R2037 | D2 | C2 | U4055 | E3 | E4 |
| Q2026 | B2 | C1 | R2041 | D2 | D2 | | | |
| Q2029 | C2 | B2 | R2042 | D2 | D2 | VR1055 | D5 | E1 |
| Q2033 | B1 | C2 | R2043 | D2 | D2 | VR3048 | E3 | D3 |
| Q2035 | D2 | C2 | R2044 | D2 | D2 | | | |
| Q2039 | D1 | C2 | R2051 | E4 | E2 | W2034 | C2 | C2 |
| Q2040 | D2 | D2 | R2052 | D4 | E2 | W2045 | D2 | D2 |
| Q2045 | E3 | D2 | R2053 | D5 | E1 | | | |
| Q2051 | F4 | E2 | R2054 | D5 | E2 | | | |
| Q2052 | D4 | E2 | R3011 | B3 | A3 | | | |
| Q3028 | C3 | C3 | | | | | | |

*See Parts List for serial number ranges.

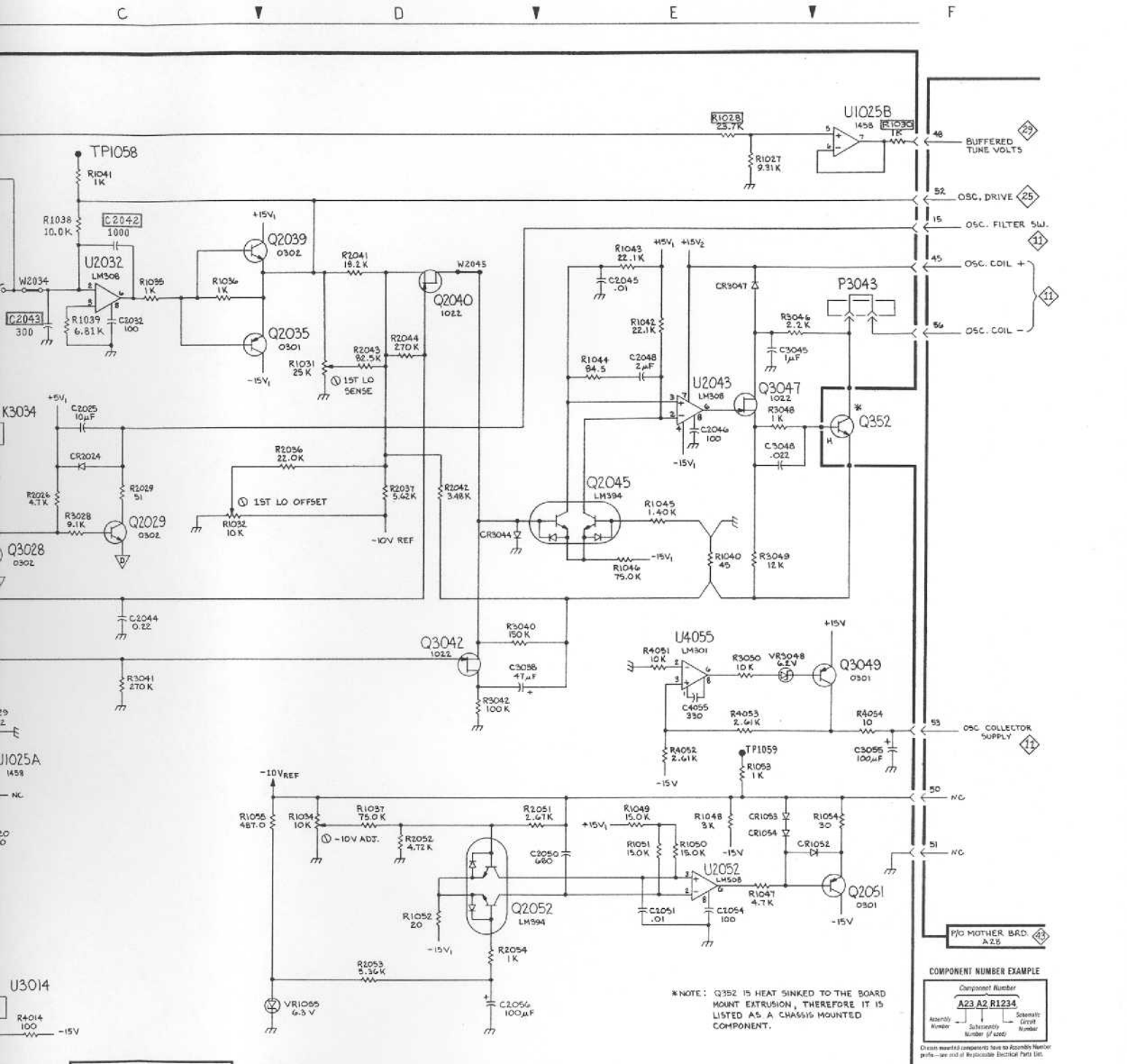


253

496/496P

A44 1

REV



* NOTE: Q352 IS HEAT SINKED TO THE BOARD MOUNT EXTRUSION, THEREFORE IT IS LISTED AS A CHASSIS MOUNTED COMPONENT.

COMPONENT NUMBER EXAMPLE

| | | | |
|------------------|-------------|-----------|--|
| Component Number | | | |
| A23 A2 R1234 | | | |
| Assembly | Subassembly | Schematic | |
| Number | Number | Number | |
| | | (if used) | |

Drawn: [blank] Checked: [blank] Approved: [blank]
 Design: [blank] Assembly: [blank] Test: [blank]
 Date: [blank] [blank] [blank] [blank] [blank] [blank] [blank] [blank] [blank] [blank]

A44 1st LO DRIVER

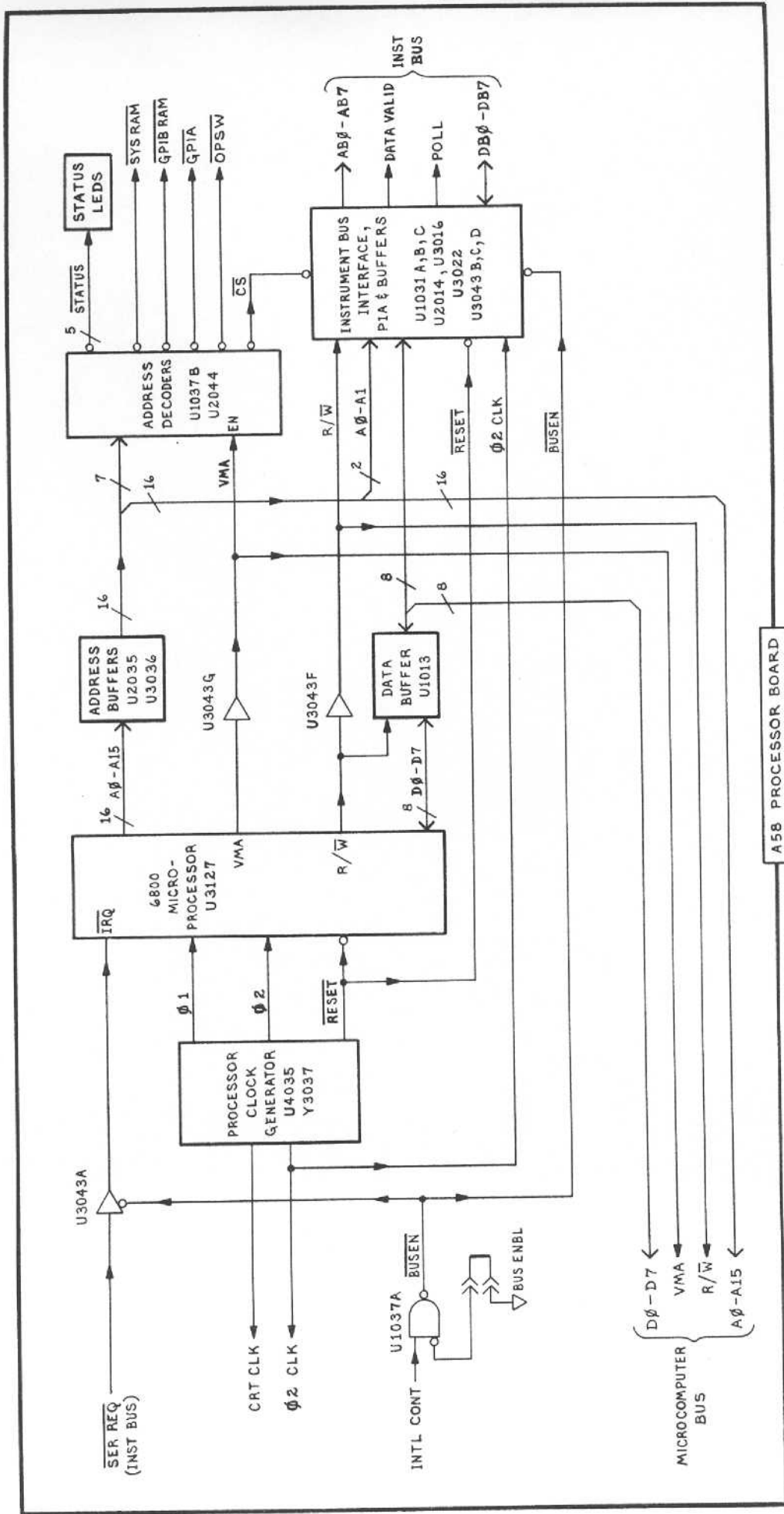
REV MAY 1993

3482-104

Static Sensitive Devices
See Maintenance Section

1st LO DRIVER

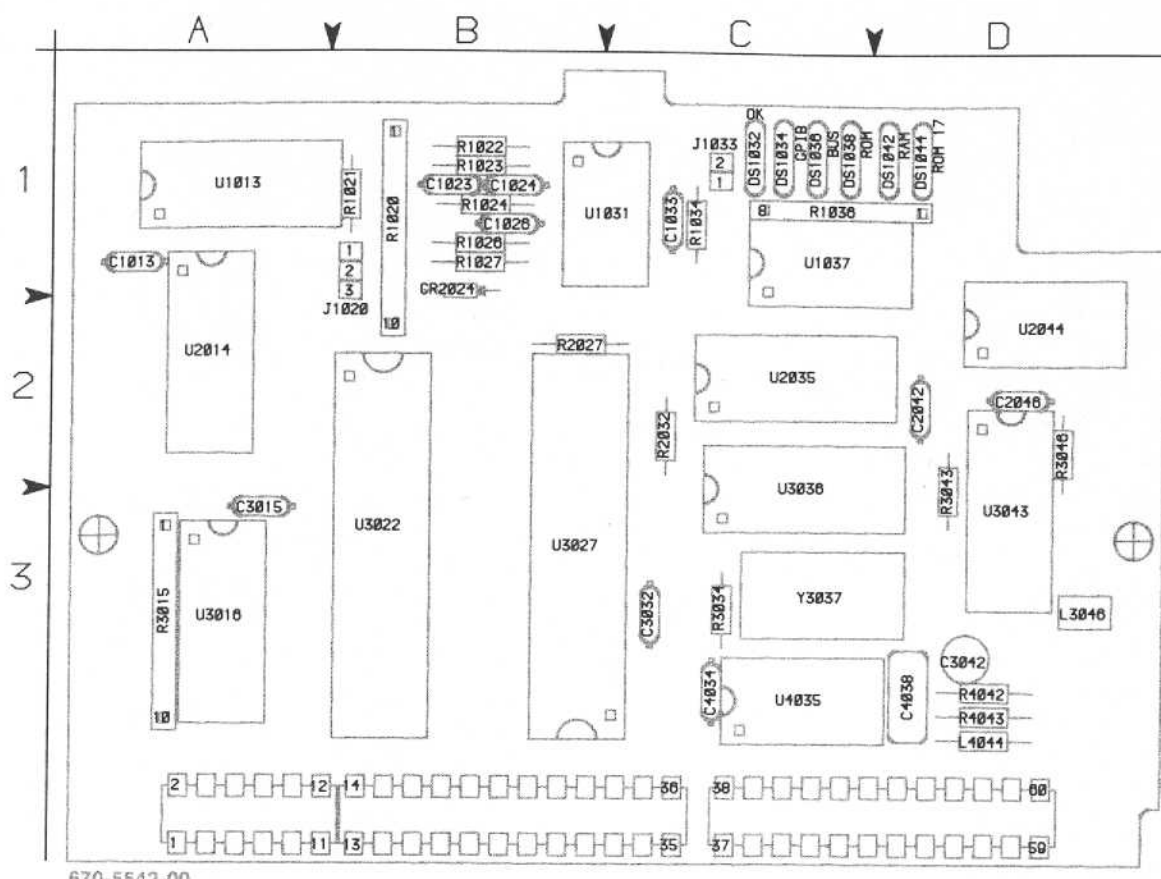
254



A58 PROCESSOR BOARD

3482-202

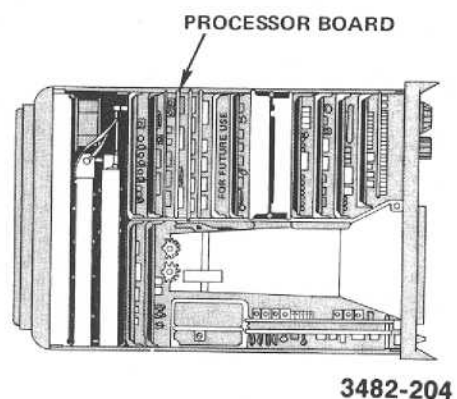
255



670-5542-00

3482-203

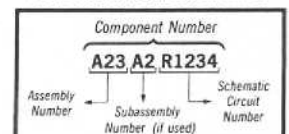
Fig. 8-38 A58 PROCESSOR Circuit Board



3482-204

 Static Sensitive Devices
See Maintenance Section

COMPONENT NUMBER EXAMPLE

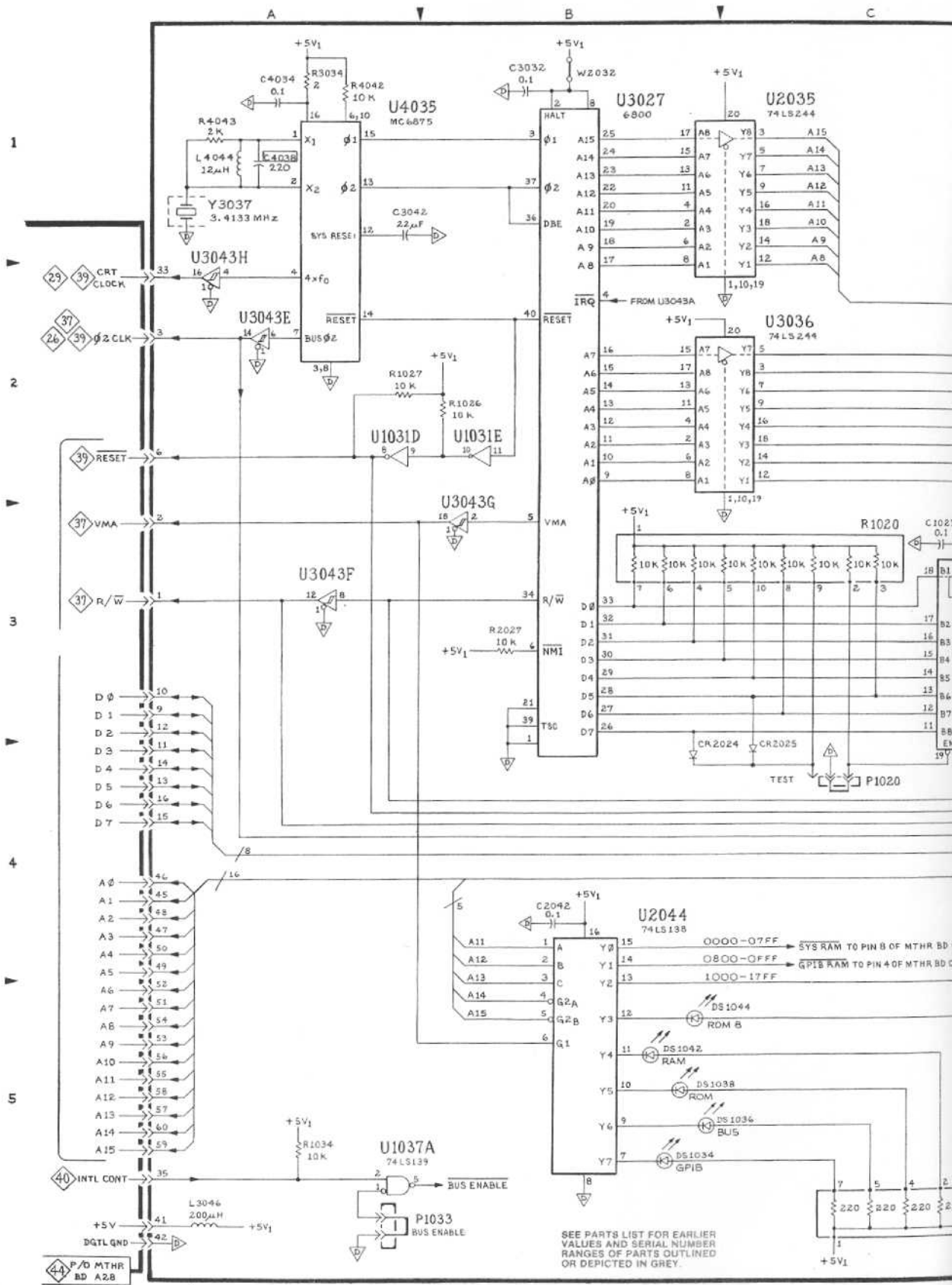


Chassis-mounted components have no Assembly Number prefix—see end of Replaceable Electrical Parts List.

ASSEMBLY A58

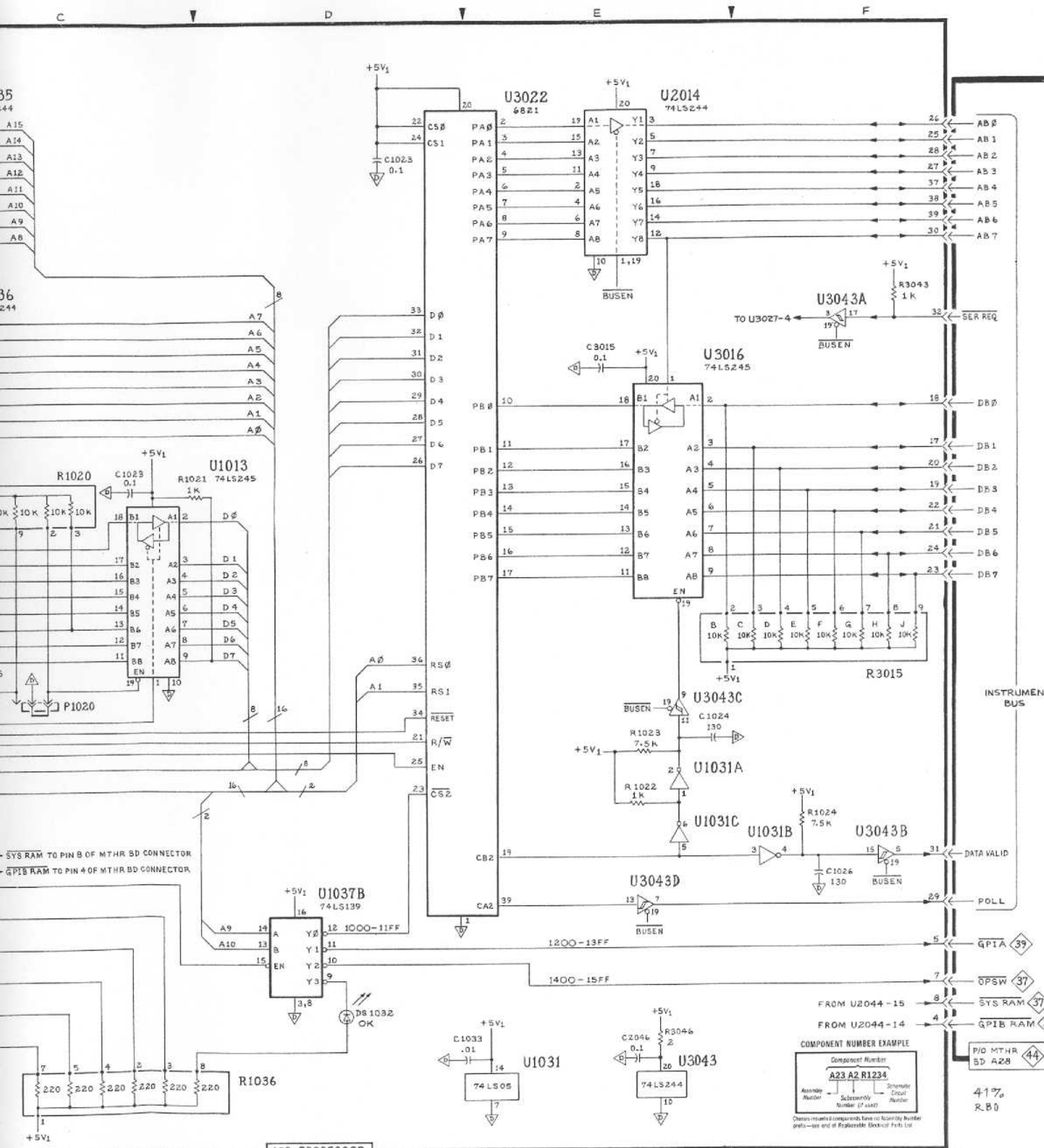
Processor

| CIRCUIT NUMBER | SCHEM LOCATION | BOARD LOCATION | CIRCUIT NUMBER | SCHEM LOCATION | BOARD LOCATION | CIRCUIT NUMBER | SCHEM LOCATION | BOARD LOCATION |
|----------------|----------------|----------------|----------------|----------------|----------------|----------------|----------------|----------------|
| C1013 | D1 | A1 | P1020 | C4 | B2 | U1031C | E4 | C1 |
| C1023 | C3 | B1 | P1033 | A5 | C1 | U1031D | A2 | C1 |
| C1024 | E4 | B1 | | | | U1031E | A2 | C1 |
| C1026 | F4 | B1 | R1020 | C3 | B1 | U1037A | A5 | C1 |
| C1033 | D5 | C1 | R1021 | C3 | B1 | U1037B | D5 | C1 |
| C2042 | B4 | D2 | R1022 | E4 | B1 | U2014 | A5 | A2 |
| C2046 | A5 | D2 | R1023 | E4 | B1 | U2014 | E1 | A2 |
| C3015 | E2 | A3 | R1024 | F4 | B1 | U2035 | C1 | C2 |
| C3032 | B1 | C3 | R1026 | A2 | B1 | U2044 | B4 | D2 |
| C3042 | A2 | D3 | R1027 | A2 | B1 | U3016 | E2 | A3 |
| C4034 | A1 | C3 | R1034 | A5 | C1 | U3022 | E1 | B3 |
| C4038 | A1 | D3 | R1036 | C5 | C1 | U3027 | B1 | B3 |
| | | | R2027 | B3 | B2 | U3036 | C2 | C2 |
| CR2024 | B3 | B1 | R2032 | B1 | C2 | U3043 | A5 | D2 |
| | | | R3015 | F3 | A3 | U3043A | A2 | D2 |
| DS1032 | D5 | C1 | R3034 | A1 | C3 | U3043B | F4 | D2 |
| DS1034 | B5 | C1 | R3043 | A2 | D2 | U3043C | E4 | D2 |
| DS1036 | B5 | C1 | R3046 | A4 | D2 | U3043D | E5 | D2 |
| DS1038 | B5 | C1 | R4042 | A1 | D3 | U3043E | A2 | D2 |
| DS1042 | B5 | D1 | R4043 | A1 | D3 | U3043F | A3 | D2 |
| DS1044 | B5 | D1 | | | | U3043G | B3 | D2 |
| | | | U1013 | C3 | A1 | U3043H | A2 | D2 |
| L3046 | A5 | D3 | U1031 | E5 | C1 | U4035 | A1 | C3 |
| L4044 | A1 | D3 | U1031A | E4 | C1 | | | |
| | | | U1031B | F4 | C1 | Y3037 | A1 | C3 |



258 496/496P

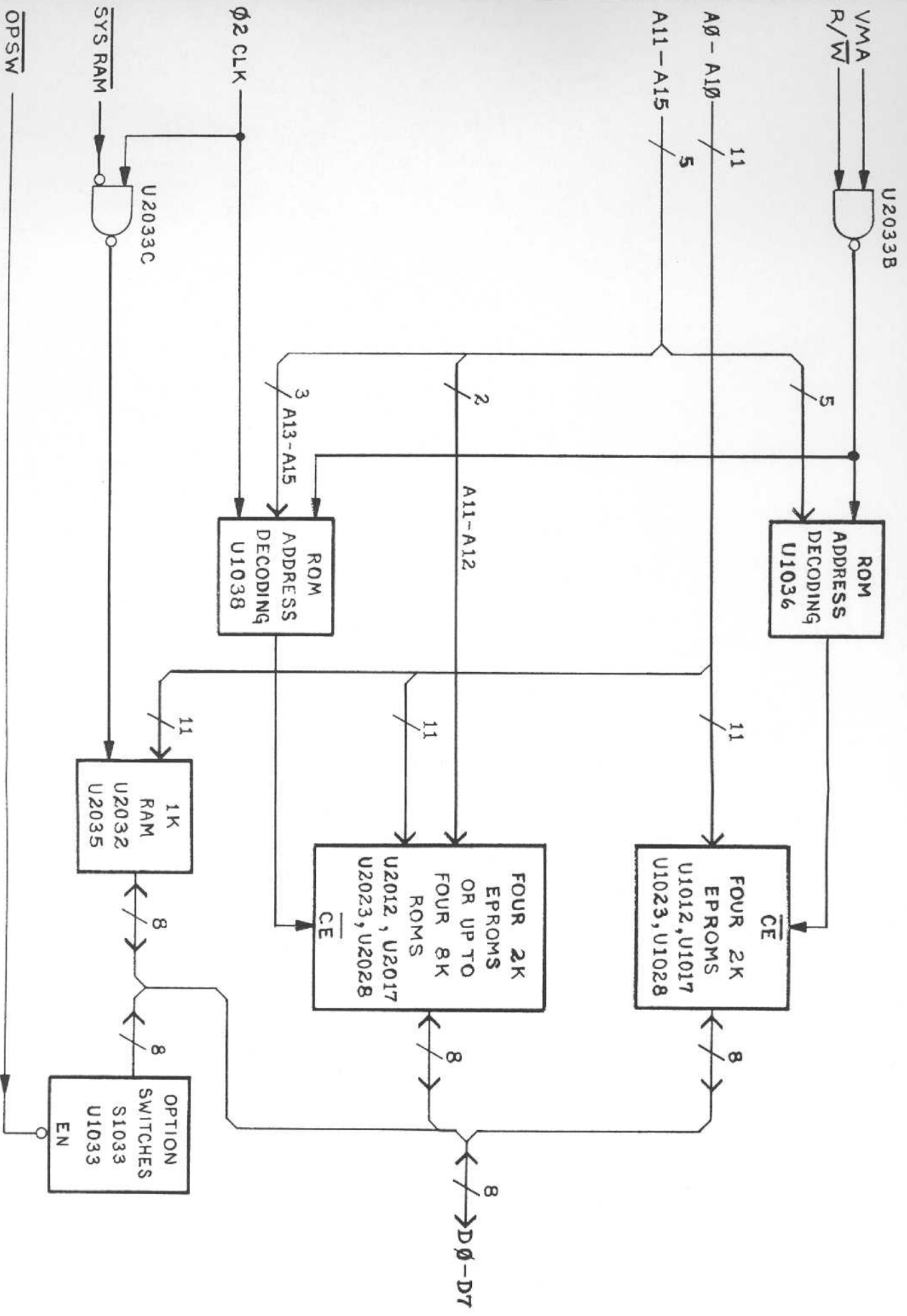
SEE PARTS LIST FOR EARLIER VALUES AND SERIAL NUMBER RANGES OF PARTS OUTLINED OR DEPICTED IN GREY.



A58 PROCESSOR
 3482-105
 REV SEP 1981

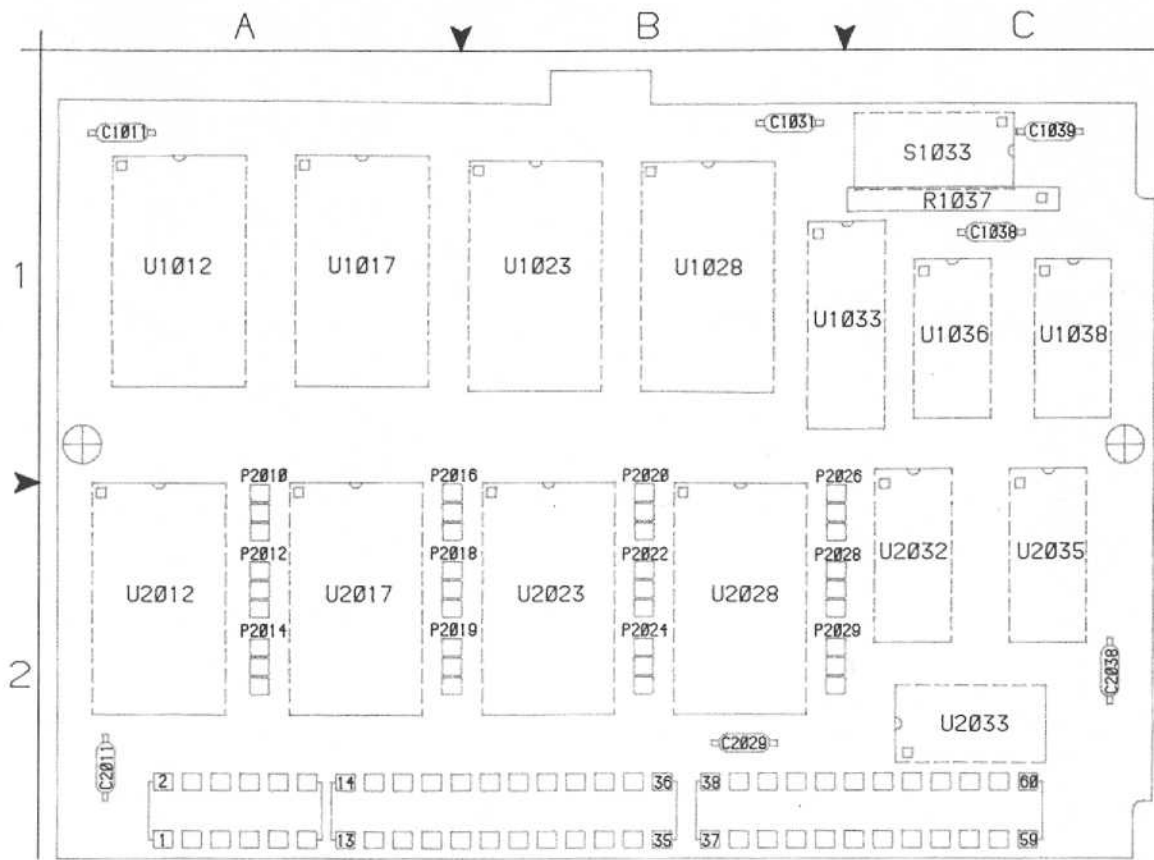
Static Sensitive Devices
 See Maintenance Section
 PROCESSOR 36 JAN

259



260

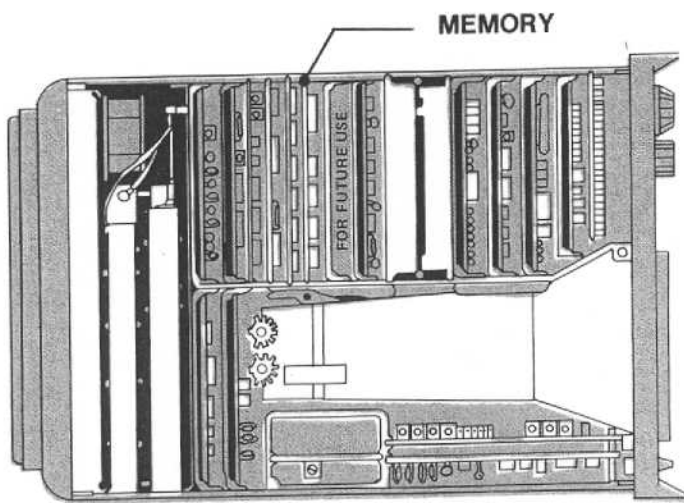
AS4 MEMORY BOARD



670-6958-00

Fig. 8-39 A54 MEMORY Circuit Board

3482-206

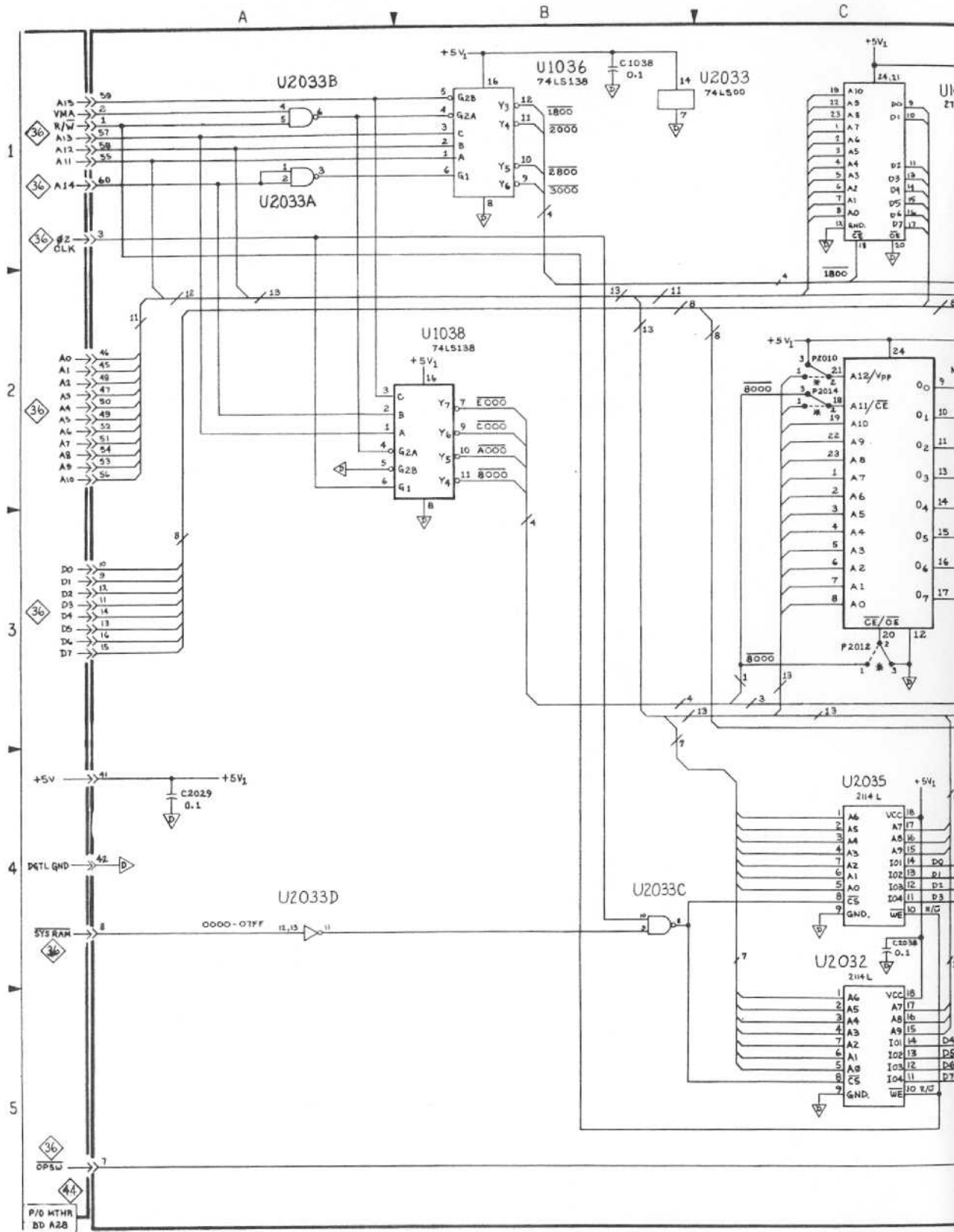


3482-207

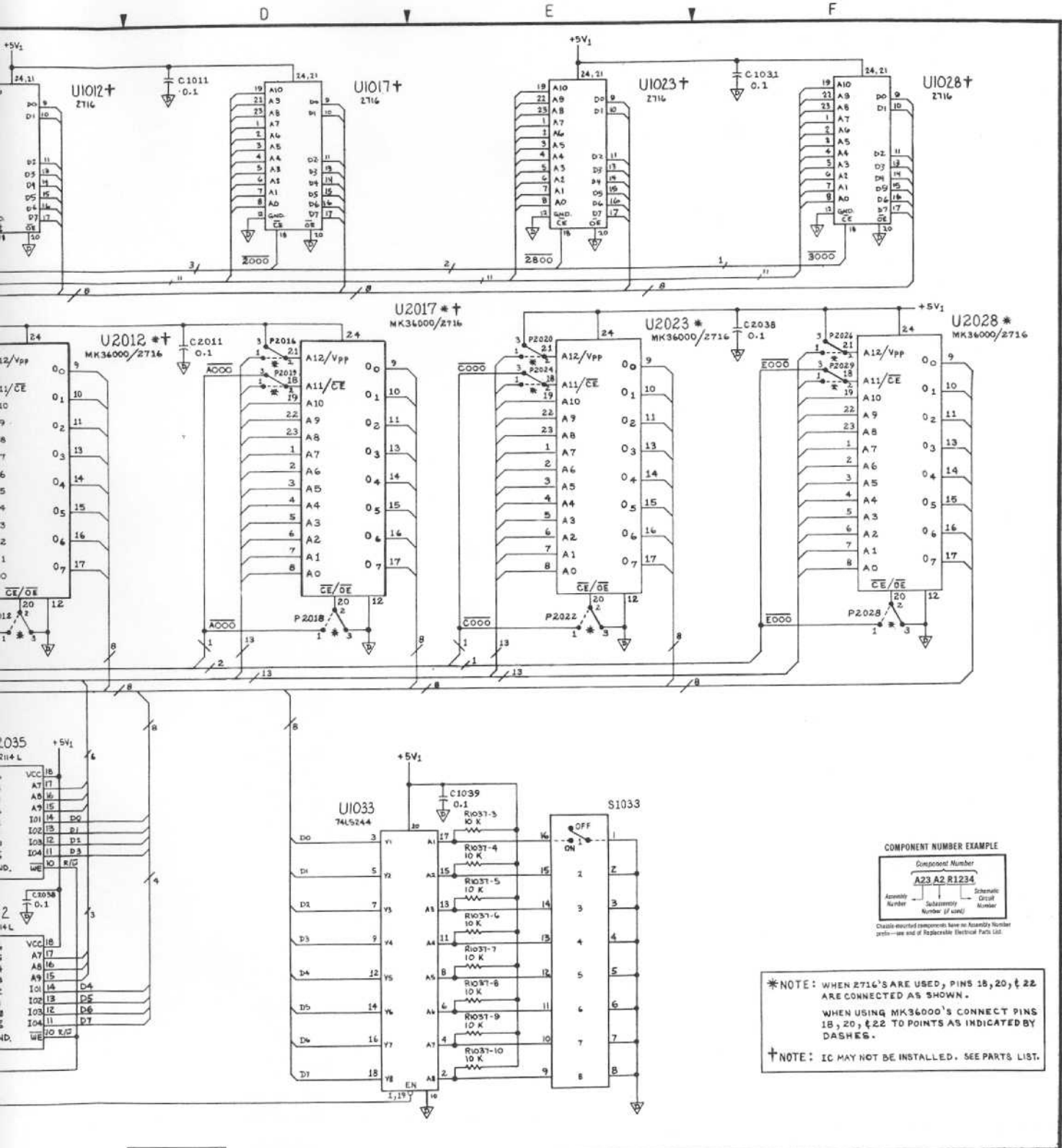
261

ASSEMBLY A54

| CIRCUIT NUMBER | SCHEM LOCATION | BOARD LOCATION |
|-------------------|-------------------|-------------------|
| C1011 | D1 | A1 |
| C1031 | F1 | B1 |
| C1038 | B1 | C1 |
| C1039 | E4 | C1 |
| C2011 | D2 | A2 |
| C2038 | C4 | C2 |
| C2038 | F2 | C2 |
| S1033 | E4 | C1 |
| U1012 | C1 | A1 |
| U1017 | D1 | A1 |
| U1023 | D1 | B1 |
| U1033 | E4 | C1 |
| U1036 | B1 | C1 |
| U1038 | B2 | C1 |
| U2012 | C2 | A2 |
| U2017 | D2 | A2 |
| U2017 | D2 | A2 |
| U2023 | E2 | B2 |
| U2028 | F2 | B2 |
| U2032 | C5 | C2 |
| U2033 | B1 | C2 |
| U2033A | A1 | C2 |
| U2033B | A1 | C2 |
| U2033C | B4 | C2 |
| U2033D | A4 | C2 |
| U2035 | C4 | C2 |



496/496P
259



COMPONENT NUMBER EXAMPLE

| | | |
|------------------|------------------------------|--------------------------|
| Component Number | | |
| A23 | A2 | R1234 |
| Assembly Number | Subassembly Number (if used) | Schematic Circuit Number |

Obsolete/encountered components have no Assembly Number prefix—use end of Regisville Electrical Parts List.

***NOTE:** WHEN 2716'S ARE USED, PINS 18, 20, & 22 ARE CONNECTED AS SHOWN.

WHEN USING MK36000'S CONNECT PINS 18, 20, & 22 TO POINTS AS INDICATED BY DASHES.

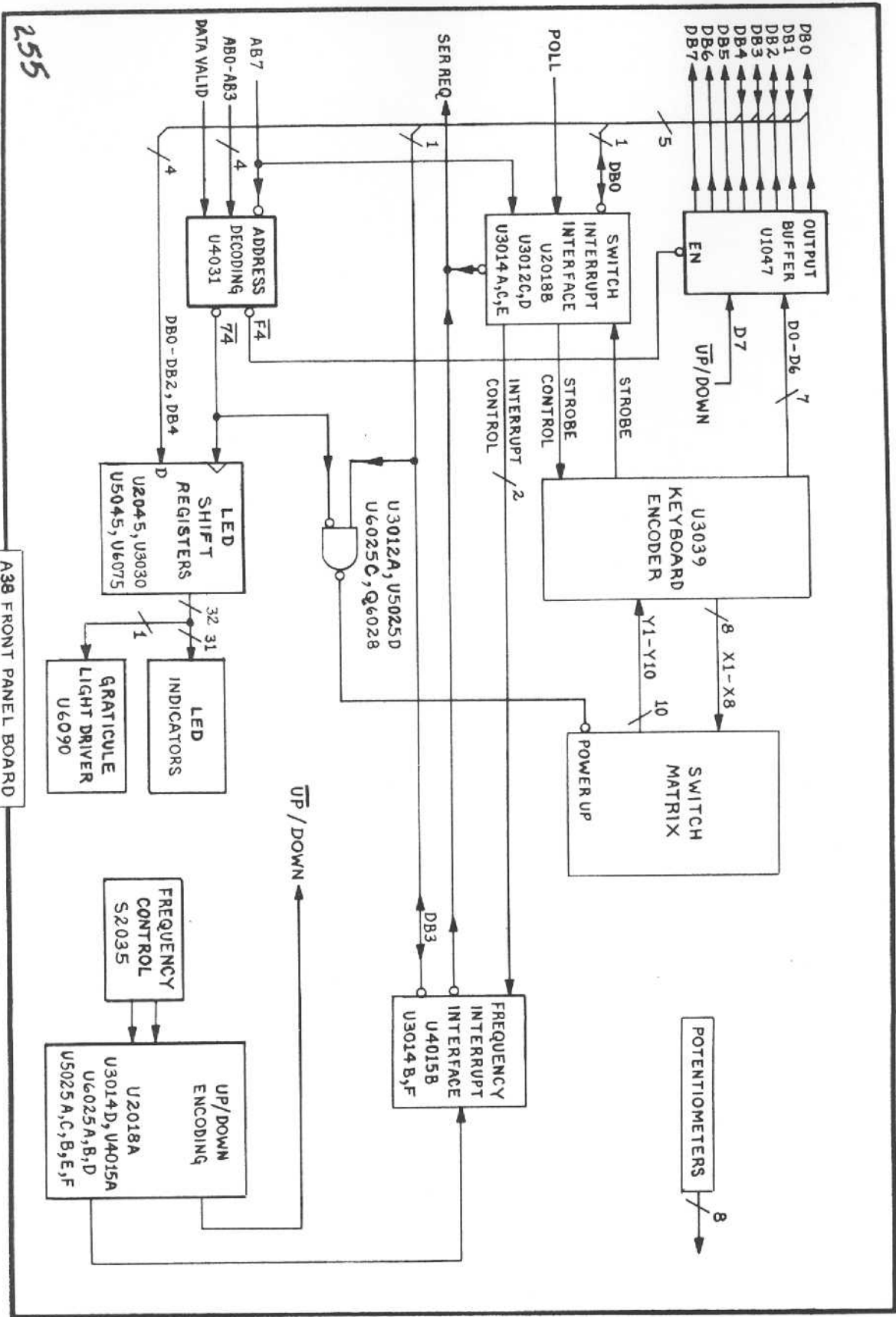
†NOTE: IC MAY NOT BE INSTALLED. SEE PARTS LIST.

AS4 MEMORY BD

Static Sensitive Devices
See Maintenance Section

MEMORY 37

254



255

A38 FRONT PANEL BOARD

3482-208

- 1
- 2
- 3
- 4
- 5
- 6

670-71



A B C D E F G H

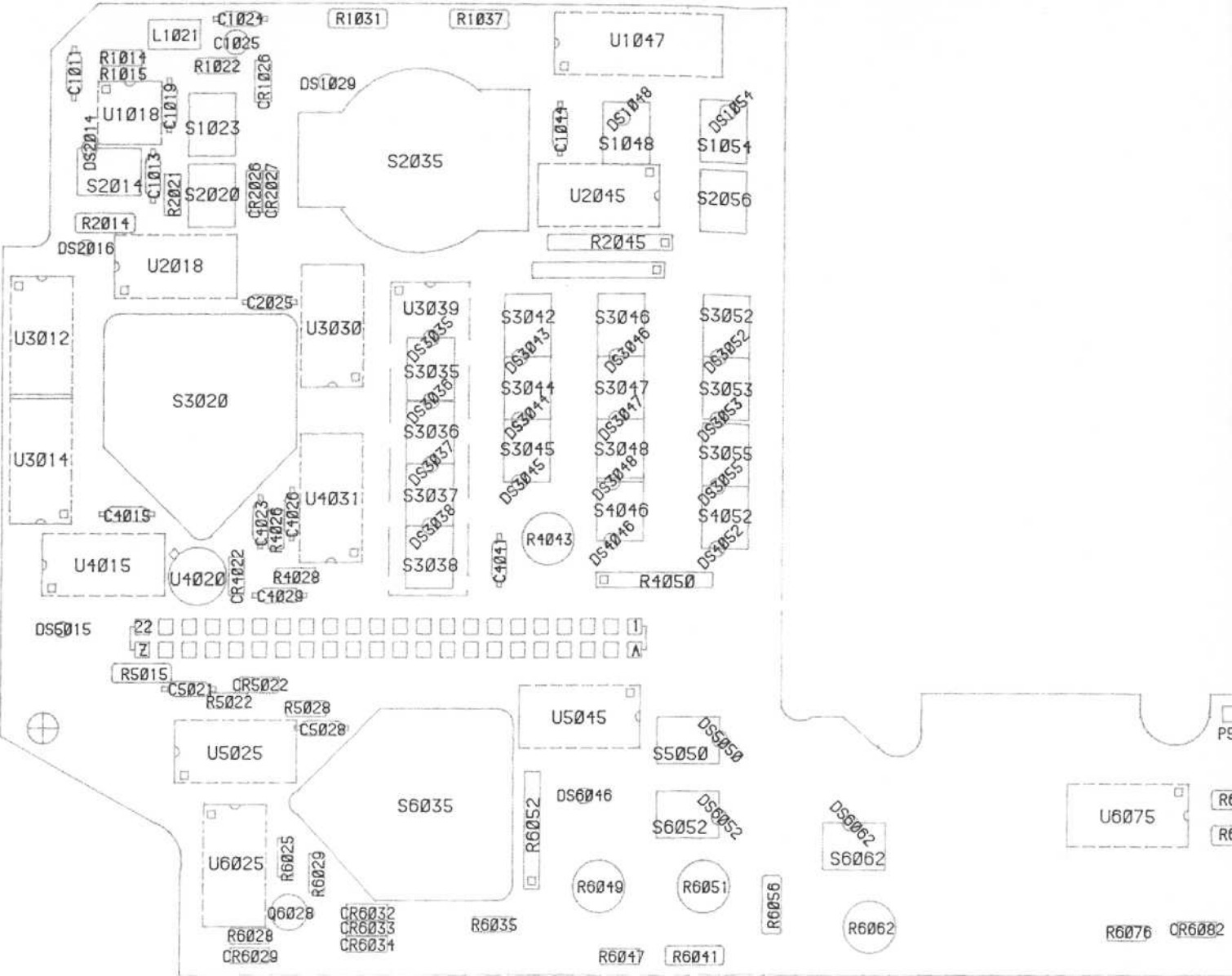


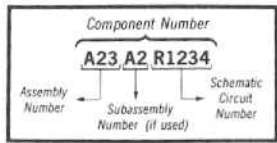
Fig. 8-40 A38 FRONT PANEL Circuit Board

670-7141-00

276

Static Sensitive Devices
See Maintenance Section

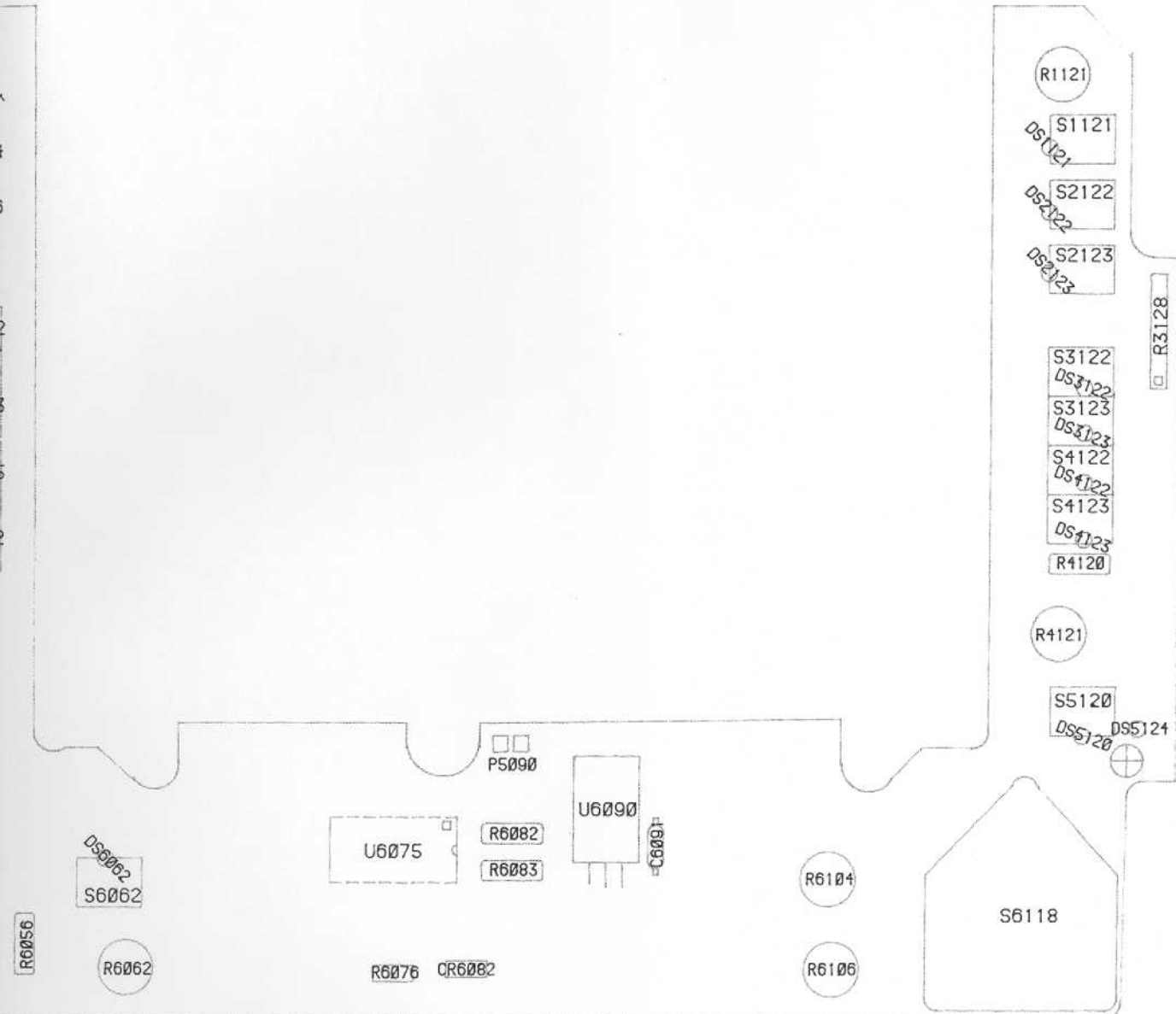
COMPONENT NUMBER EXAMPLE



Chassis-mounted components have no Assembly Number prefix—see end of Replaceable Electrical Parts List.

@

F ▼ G ▼ H ▼ J ▼ K ▼ L ▼ M

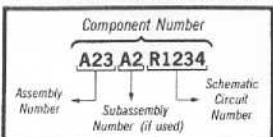


8-40 A38 FRONT PANEL Circuit Board

3482-209
277

 Static Sensitive Devices
See Maintenance Section

COMPONENT NUMBER EXAMPLE



Chassis-mounted components have no Assembly Number prefix—see end of Replaceable Electrical Parts List.

ASSEMBLY A38

Front Panel

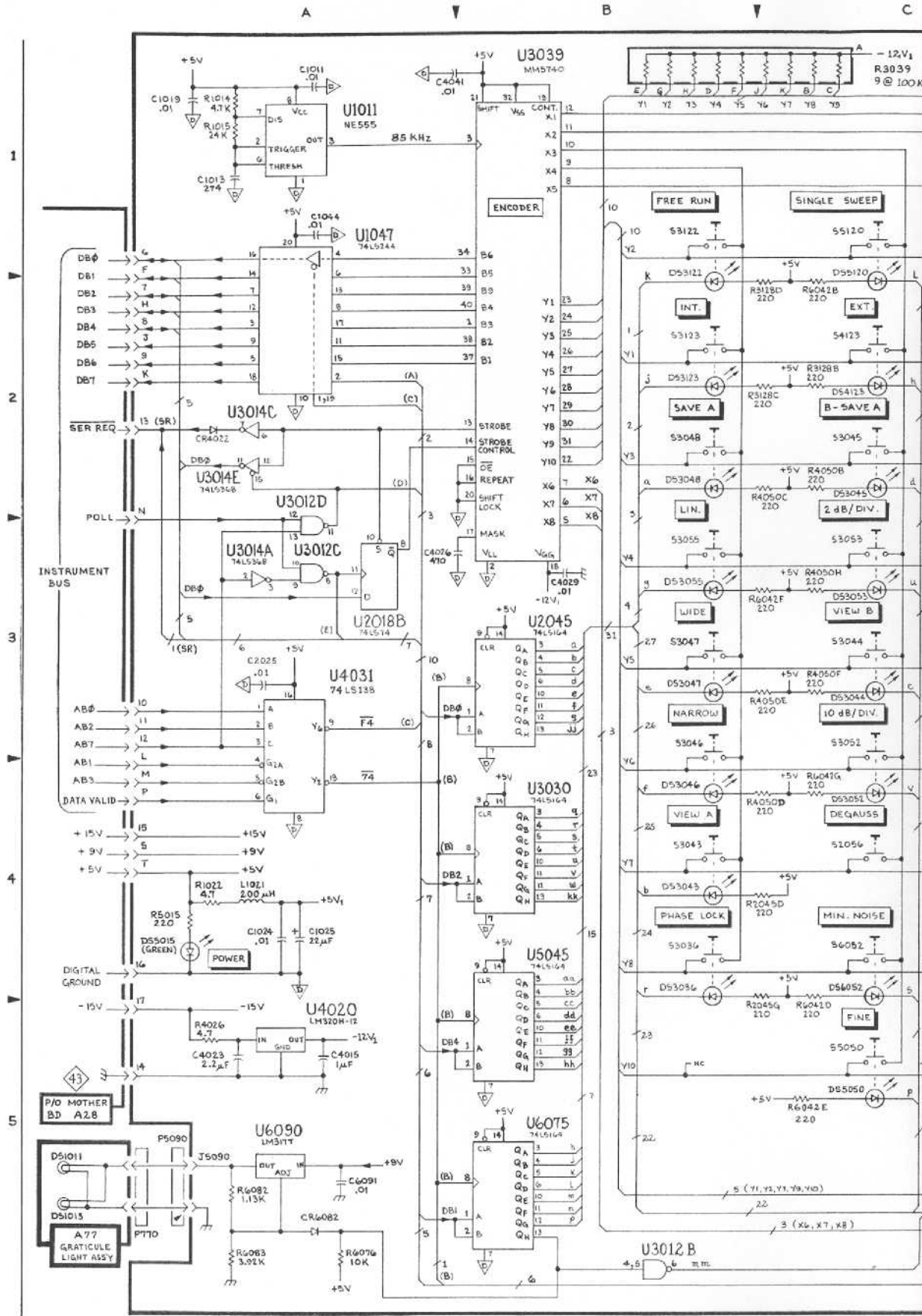
| CIRCUIT NUMBER | SCHEM LOCATION | BOARD LOCATION | CIRCUIT NUMBER | SCHEM LOCATION | BOARD LOCATION | CIRCUIT NUMBER | SCHEM LOCATION | BOARD LOCATION | CIRCUIT NUMBER | SCHEM LOCATION | BOARD LOCATION |
|----------------|----------------|----------------|----------------|----------------|----------------|----------------|----------------|----------------|----------------|----------------|----------------|
| C1011 | A1 | A1 | DS3123 | B2 | L3 | R4120 | D5 | L4 | S3055 | B3 | E3 |
| C1013 | A1 | B2 | DS4046 | D3 | E4 | R4121 | F1 | L4 | S3122 | B1 | L3 |
| C1019 | A1 | B1 | DS4052 | C3 | E4 | R5015 | A4 | A5 | S3123 | B2 | L3 |
| C1024 | A4 | B1 | DS4122 | D4 | L3 | R5022 | E3 | B5 | S4046 | D3 | E4 |
| C1025 | A4 | B1 | DS4123 | C2 | L3 | R5028 | E4 | B5 | S4052 | C3 | E4 |
| C1044 | A1 | D1 | DS5015 | A4 | A5 | R6025 | F4 | B6 | S4122 | C4 | L3 |
| C2025 | A3 | B2 | DS5050 | C5 | E5 | R6028 | F4 | B6 | S4123 | C2 | L3 |
| C4015 | A5 | A4 | DS5120 | C2 | L5 | R6029 | E4 | B6 | S5050 | C5 | E5 |
| C4023 | A5 | B4 | DS6046 | D5 | D6 | R6041 | D5 | E6 | S5120 | C1 | L4 |
| C4026 | B3 | B4 | DS6052 | C4 | E6 | R6042B | C2 | D6 | S6035 | E2 | C6 |
| C4029 | B3 | B4 | | | | | | | S6052 | C4 | E6 |
| C4041 | A1 | D4 | | | | R6042D | C5 | D6 | | | |
| C5021 | E3 | B5 | J5090 | A5 | H5 | R6042E | C5 | D6 | S6118 | E1 | L6 |
| C5028 | E3 | C5 | | | | R6042F | C3 | D6 | | | |
| C6091 | A5 | I5 | L1021 | A4 | B1 | R6042G | C4 | D6 | U1011 | A1 | A1 |
| | | | | | | R6042H | D3 | D6 | U1047 | A1 | E1 |
| CR1026 | D4 | B1 | Q6028 | F4 | B6 | R6047 | E4 | D6 | U2018 | F4 | B2 |
| CR2026 | E3 | B2 | | | | R6049 | F3 | D6 | U2018A | E4 | B2 |
| CR2027 | E2 | B2 | R1014 | A1 | A1 | R6051 | F2 | E6 | U2018B | A3 | B2 |
| CR4022 | A2 | B4 | R1015 | A1 | A1 | R6056 | F2 | E6 | U2045 | B3 | D2 |
| CR5022 | F4 | B5 | R1022 | A4 | B1 | | | | U3012A | F4 | A3 |
| CR6029 | F2 | B6 | R1031 | D4 | C1 | R6076 | A5 | H6 | U3012B | B5 | A3 |
| CR6032 | F2 | C6 | R1037 | D5 | D1 | R6082 | A5 | H5 | U3012C | A3 | A3 |
| CR6033 | E1 | C6 | R1121 | F1 | L1 | R6083 | A5 | H6 | U3012D | A2 | A3 |
| CR6033 | E1 | C6 | R2014 | D5 | A2 | R6104 | F1 | J6 | U3014A | A3 | A3 |
| CR6034 | E1 | C6 | R2045B | D2 | E2 | R6106 | F2 | J6 | U3014B | E4 | A3 |
| CR6035 | F2 | D6 | R2045C | D3 | E2 | | | | U3014C | A2 | A3 |
| CR6082 | A5 | H6 | R2045D | C4 | E2 | | | | U3014D | F3 | A3 |
| | | | R2045E | D1 | E2 | S1048 | C3 | E1 | U3014E | A2 | A3 |
| DS1029 | D4 | C1 | R2021 | D3 | C4 | S1054 | D2 | E1 | U3014F | F4 | A3 |
| DS1048 | C3 | E1 | R2045G | C5 | E2 | S1121 | C2 | L1 | U3030 | B4 | C3 |
| DS1054 | D2 | E1 | R2045H | D4 | E2 | S2014 | D4 | A2 | U3039 | B1 | C2 |
| DS1121 | C2 | L1 | R3039 | C1 | D2 | | | | U4015A | E4 | A4 |
| DS2014 | D4 | A2 | R3128B | C2 | L2 | S2035 | D4 | C2 | U4015B | F4 | A4 |
| DS2016 | D5 | A2 | R3128C | C2 | L2 | S2056 | C4 | E2 | U4020 | A5 | B4 |
| DS2122 | C2 | L2 | R3128D | C2 | L2 | S2122 | C2 | L2 | U4031 | A3 | C4 |
| DS2123 | D2 | L2 | R3128E | D2 | L2 | S2123 | D2 | L2 | U5025 | F4 | B5 |
| DS3038 | D3 | C4 | R3128F | D4 | L2 | S3020 | E1 | B3 | U5025A | E3 | B5 |
| DS3036 | B4 | C3 | R3128G | D2 | L2 | S3020 | E3 | B3 | U5025B | D5 | B5 |
| DS3037 | D2 | C4 | R3128H | D2 | L2 | S3038 | D3 | C4 | U5025C | D4 | B5 |
| DS3043 | B4 | D3 | R4026 | A5 | B4 | S3036 | B4 | C3 | U5025D | F4 | B5 |
| DS3044 | C3 | D3 | R4028 | C1 | B4 | S3037 | D1 | C4 | U5025E | E3 | B5 |
| DS3045 | C2 | D3 | R4043 | F1 | D4 | S3043 | B4 | D2 | U5025F | E3 | B5 |
| DS3046 | B4 | E3 | R4050B | C2 | E4 | S3044 | C3 | D3 | U5045 | B4 | D5 |
| DS3047 | B3 | E3 | R4050C | C2 | E4 | S3045 | C2 | D3 | U6025A | E3 | B6 |
| DS3048 | B2 | E3 | R4050D | C4 | E4 | S3046 | B3 | E2 | U6025B | E3 | B6 |
| DS3052 | C4 | E3 | R4050E | C3 | E4 | S3047 | B3 | E3 | U6025C | E4 | B6 |
| DS3053 | C3 | E3 | R4050F | C3 | E4 | S3048 | B2 | E3 | U6025D | E4 | B6 |
| DS3055 | B3 | E3 | R4050G | D3 | E4 | S3052 | C3 | E2 | U6075 | B5 | H5 |
| DS3122 | B2 | L3 | R4050H | C3 | E4 | S3053 | C3 | E3 | U6090 | A5 | I5 |

MEMORY CKT BD LOC & BLOCK DIAG

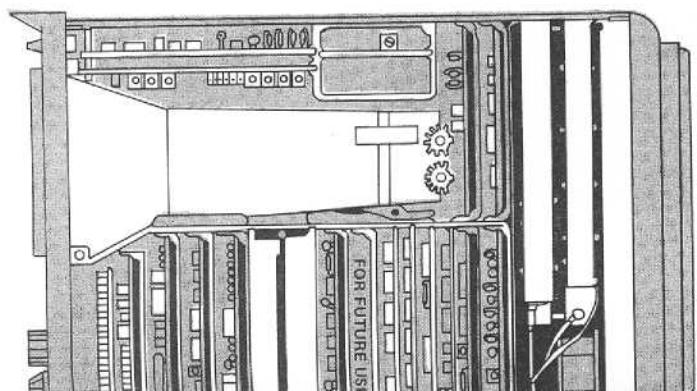
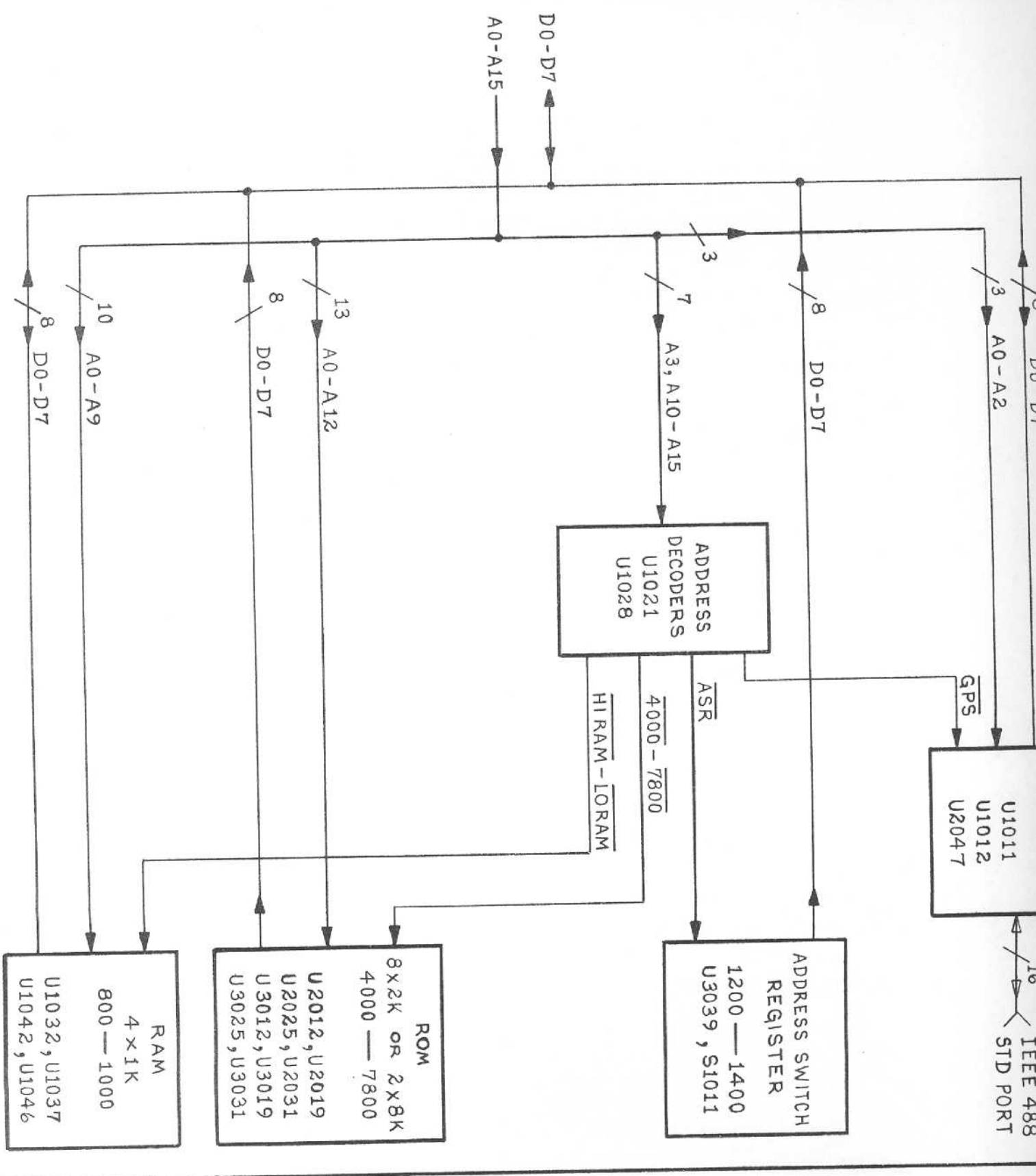
FRONT PNL CKT BD LOC & BLOCK DIAG

1ST LO DRIVER CKT BD LOC & BLOCK DIAG

PROCESSOR CKT BD LOC & BLOCK DIAG



496/496 P
279



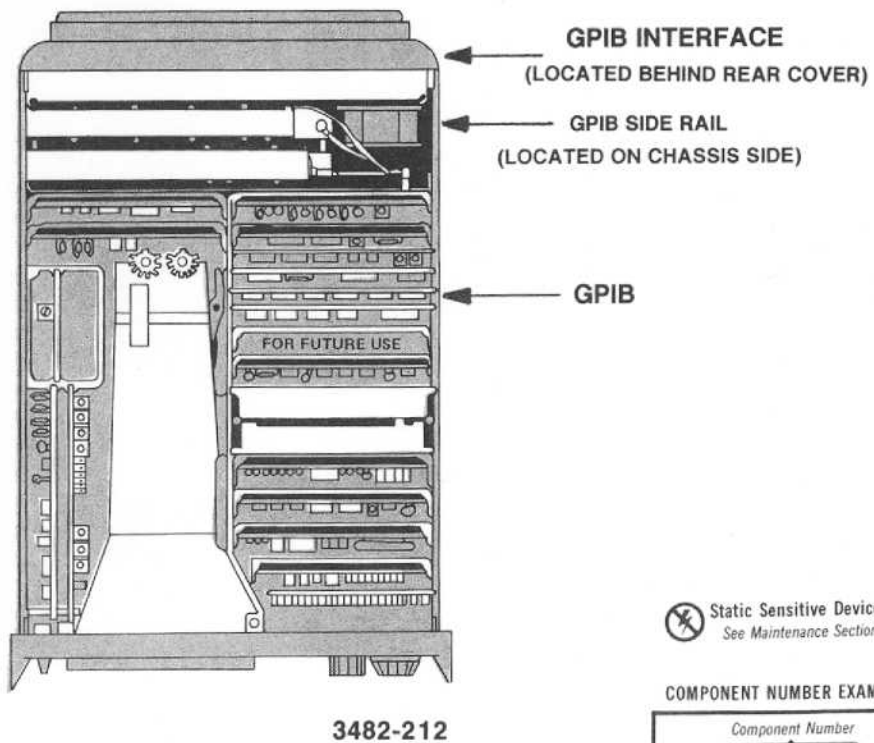
16 IEEE 488
STD PORT

ADDRESS SWITCH
REGISTER
1200 — 1400
U3039, S1011

ROM
8x2K OR 2x8K
4000 — 7800
U2012, U2019
U2025, U2031
U3012, U3019
U3025, U3031

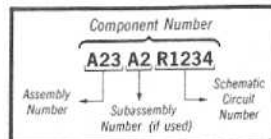
RAM
4x1K
800 — 1000
U1032, U1037
U1042, U1046

3482-219



Static Sensitive Devices
See Maintenance Section

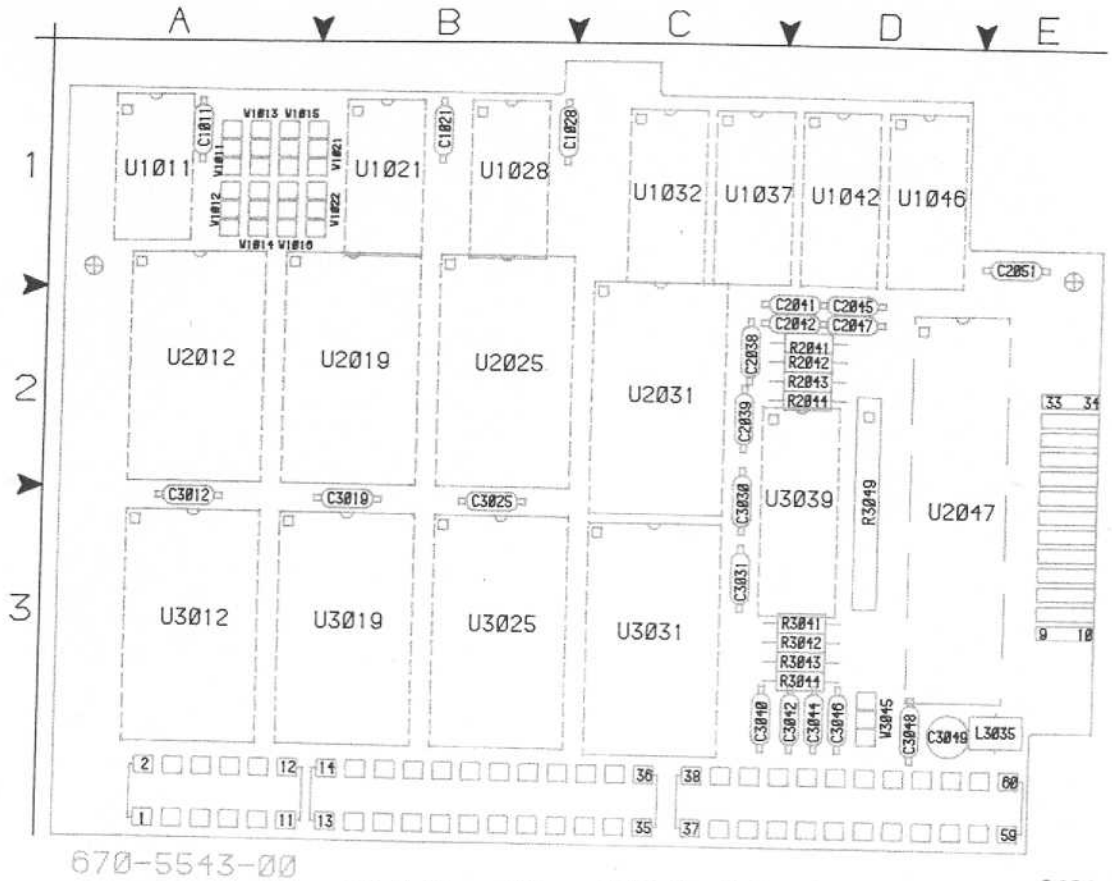
COMPONENT NUMBER EXAMPLE



282

Chassis-mounted components have no Assembly Number prefix—see end of Replaceable Electrical Parts List.

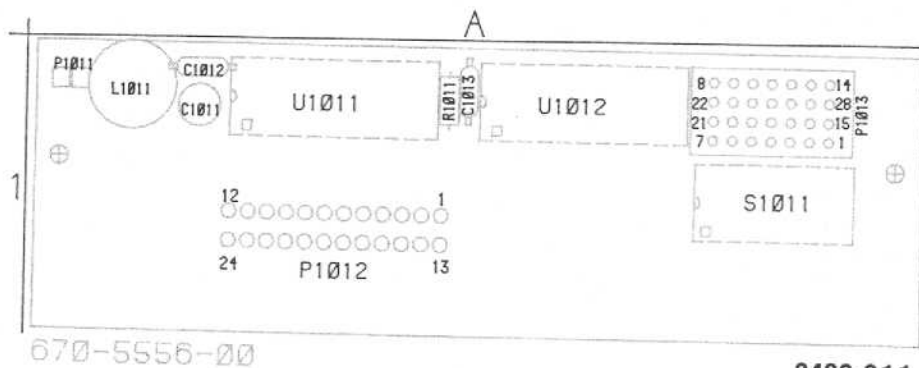
REV JUL 1982



670-5543-00

Fig. 8-41 A56 GPIB Circuit Board

3482-210



670-5556-00

Fig. 8-42 A57 GPIB INTERFACE Circuit Board

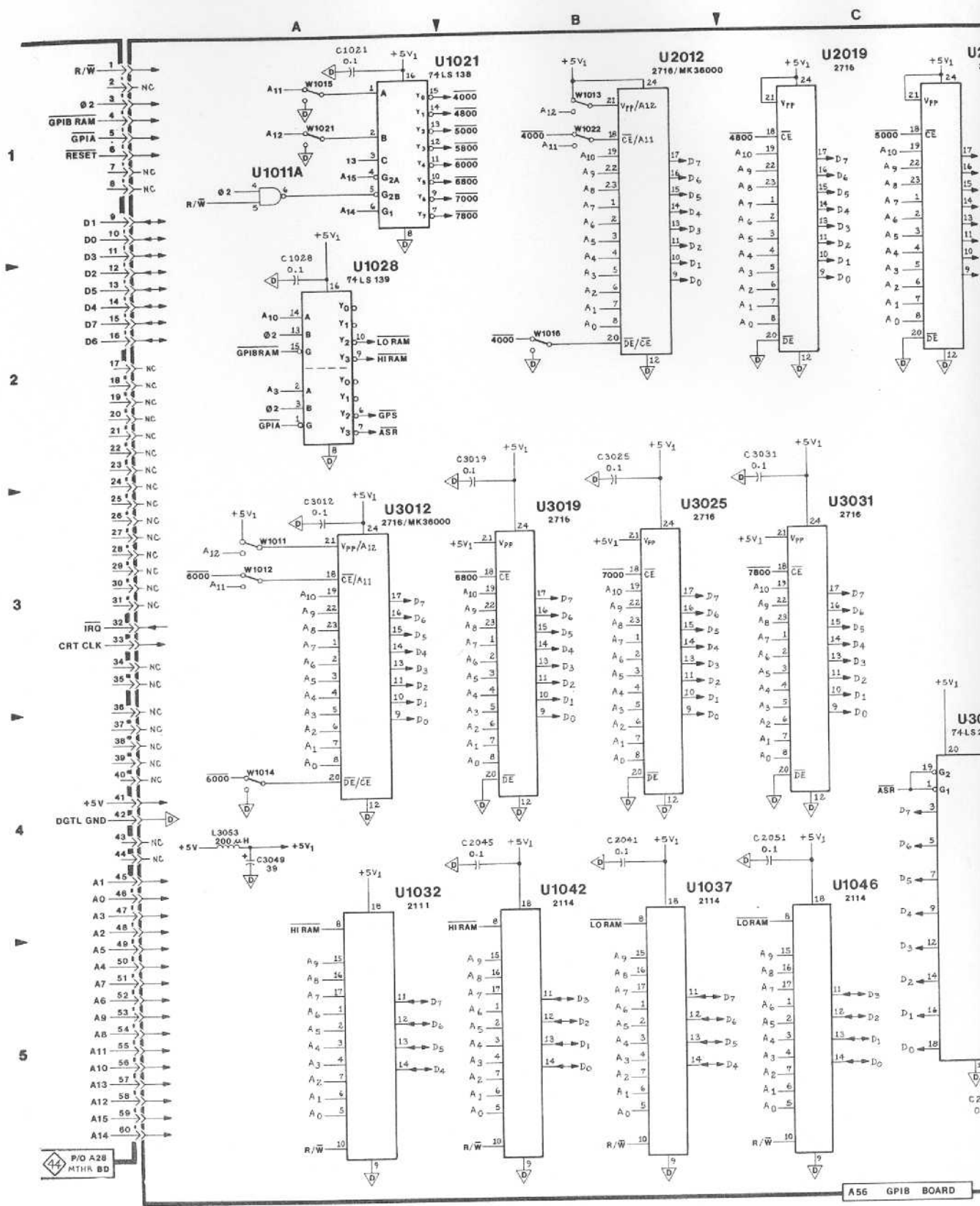
3482-211

ASSEMBLY A56

| CIRCUIT NUMBER | SCHEM LOCATION | BOARD LOCATION | CIRCUIT NUMBER | SCHEM LOCATION | BOARD LOCATION | CIRCUIT NUMBER | SCHEM LOCATION | BOARD LOCATION | CIRCUIT NUMBER | SCHEM LOCATION | BOARD LOCATION |
|----------------|----------------|----------------|----------------|----------------|----------------|----------------|----------------|----------------|----------------|----------------|----------------|
| C1011 | D5 | A1 | C3042 | D5 | D3 | R3049 | D1 | D3 | U3012 | A3 | A3 |
| C1021 | A1 | B1 | C3044 | D5 | D3 | | | | U3019 | B3 | B3 |
| C1028 | A2 | B1 | C3046 | D5 | D3 | U1011A | A1 | A1 | U3025 | B3 | B3 |
| C2038 | A4 | C2 | C3048 | A4 | D3 | U1011B | D1 | A1 | U3031 | C3 | C3 |
| C2039 | C5 | C2 | C3049 | A4 | D3 | U1011C | D1 | A1 | U3039 | C4 | D3 |
| C2041 | B4 | D1 | | | | U1021 | A1 | B1 | | | |
| C2042 | D5 | D1 | L3053 | A4 | E3 | U1028 | A2 | B1 | W1011 | A3 | A1 |
| C2045 | B4 | D1 | | | | U1032 | A5 | C1 | W1012 | A3 | A1 |
| C2047 | D5 | D1 | R2041 | D4 | D1 | U1037 | B5 | C1 | W1013 | B1 | A1 |
| C2051 | C4 | E1 | R2042 | D4 | D1 | U1042 | B5 | D1 | W1014 | A4 | A1 |
| C3012 | A3 | A3 | R2043 | D5 | D1 | U1046 | C5 | D1 | W1015 | A1 | A1 |
| C3019 | B3 | B3 | R2044 | D5 | D1 | U2012 | B1 | A2 | W1016 | B2 | A1 |
| C3025 | B3 | B3 | R3041 | D4 | D3 | U2019 | C1 | B2 | W1021 | A1 | A1 |
| C3030 | C5 | C2 | R3042 | D5 | D3 | U2025 | C1 | B2 | W1022 | B1 | A1 |
| C3031 | C3 | C3 | R3043 | D4 | D3 | U2031 | D1 | C2 | | | |
| C3040 | D5 | C3 | R3044 | D4 | D3 | U2047 | E1 | D3 | | | |

ASSEMBLY A30A57

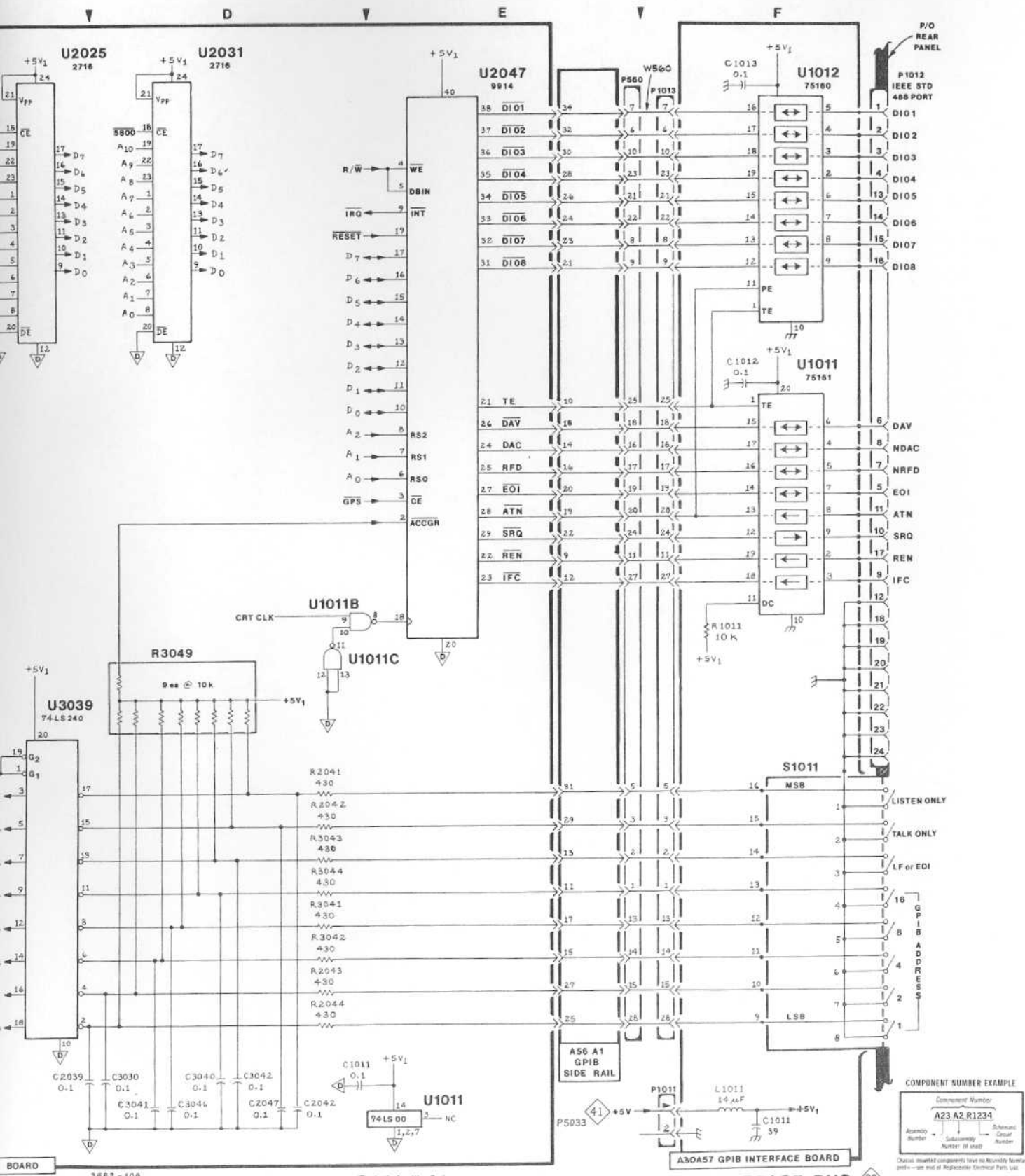
| CIRCUIT NUMBER | SCHEM LOCATION | BOARD LOCATION | CIRCUIT NUMBER | SCHEM LOCATION | BOARD LOCATION | CIRCUIT NUMBER | SCHEM LOCATION | BOARD LOCATION | CIRCUIT NUMBER | SCHEM LOCATION | BOARD LOCATION |
|----------------|----------------|----------------|----------------|----------------|----------------|----------------|----------------|----------------|----------------|----------------|----------------|
| C1011 | F5 | NA | L1011 | F5 | NA | S1011 | F4 | NA | U1012 | F1 | NA |
| C1012 | F2 | NA | | | | | | | | | |
| C1013 | F1 | NA | R1011 | F3 | NA | U1011 | F2 | NA | | | |



496 P
205

41% R30

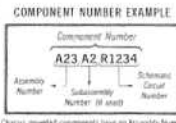
A56 GPIB BOARD



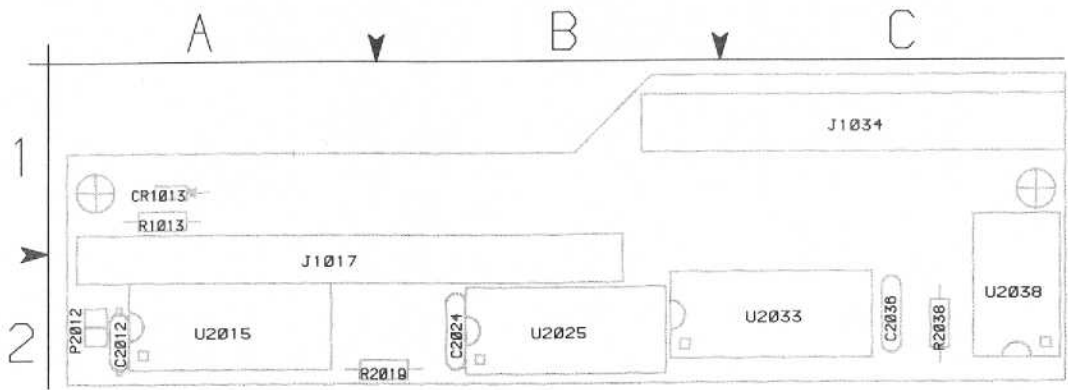
3482-106
REV JUL 1982

Static Sensitive Devices
See Maintenance Section

GENERAL PURPOSE INTERFACE BUS

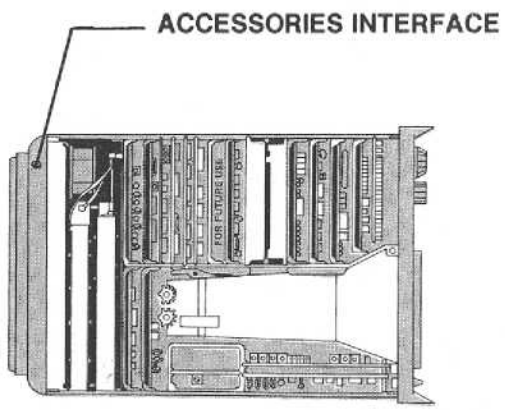


286



3482-213

Fig. 8-43 A76 ACCESSORIES INTERFACE Circuit Board

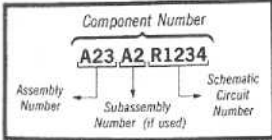


3482-214

⚡ Static Sensitive Devices
See Maintenance Section

207

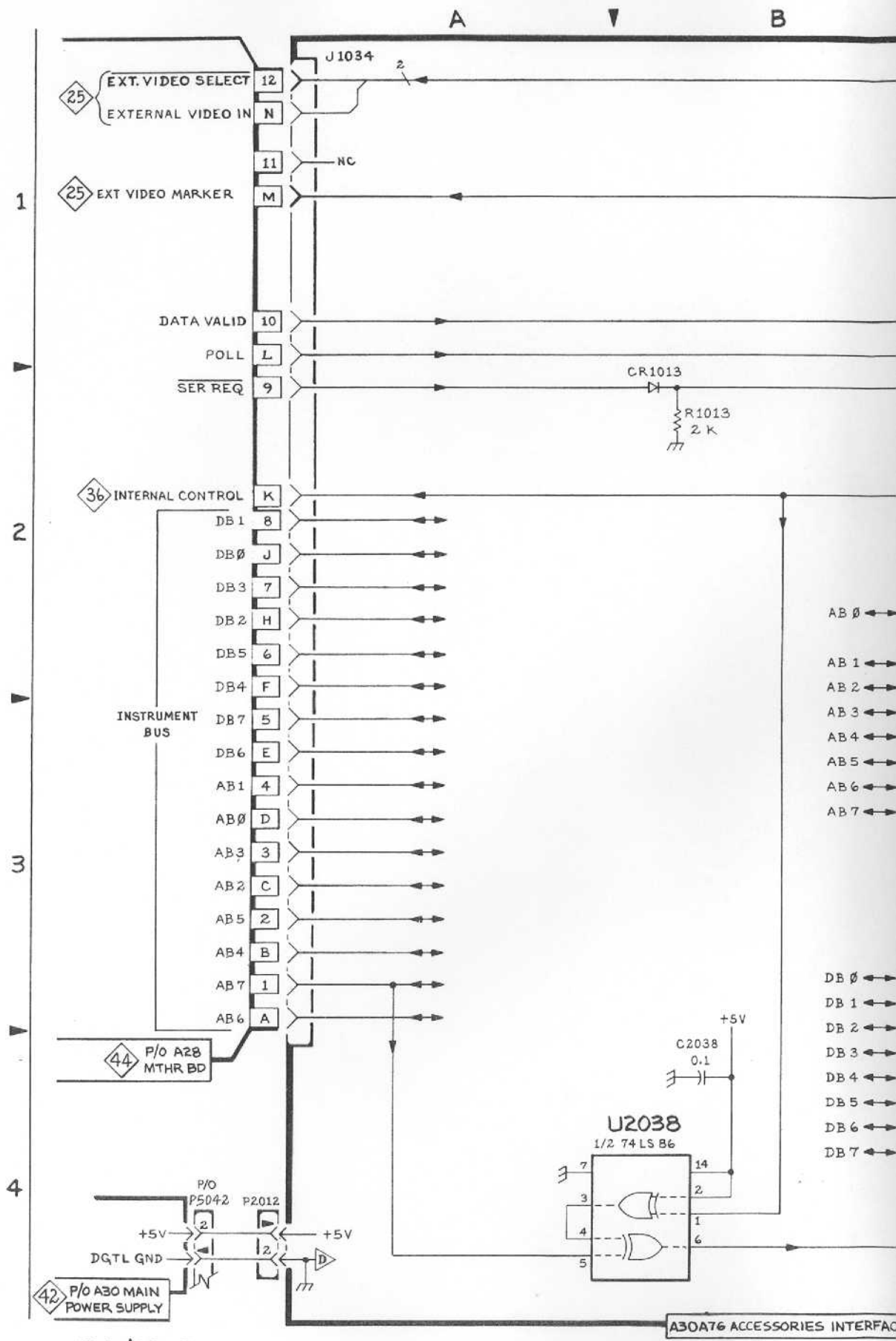
COMPONENT NUMBER EXAMPLE



Chassis-mounted components have no Assembly Number prefix—see end of Replaceable Electrical Parts List.

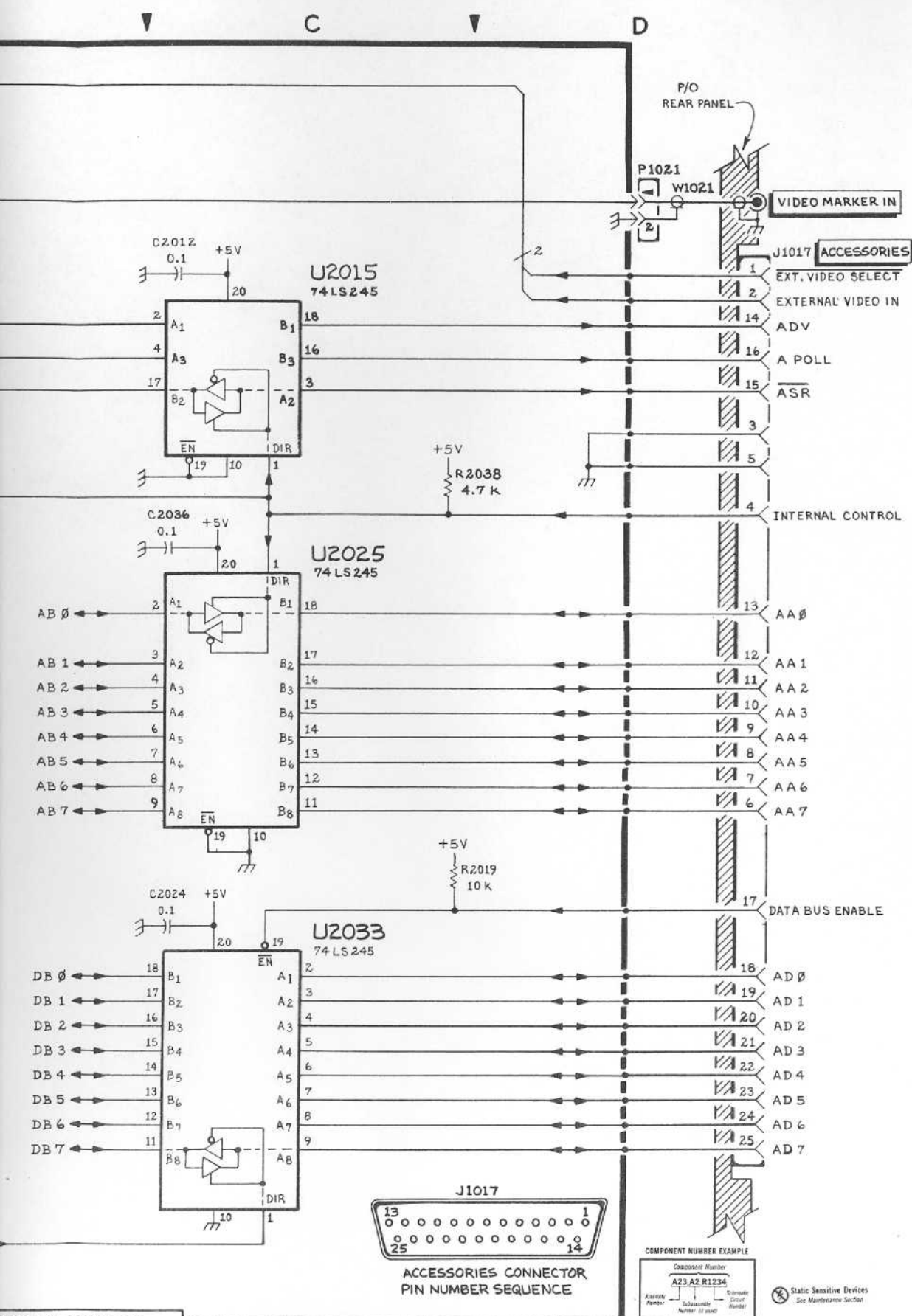
ASSEMBLY A30A76

| CIRCUIT NUMBER | SCHEM LOCATION | BOARD LOCATION |
|-------------------|-------------------|-------------------|
| C2012 | C1 | A2 |
| C2024 | C3 | B2 |
| C2036 | C2 | C2 |
| C2038 | B4 | E2 |
| CR1013 | B2 | A1 |
| J1017 | D4 | A2 |
| J1034 | A1 | C1 |
| P2012 | A4 | A2 |
| R1013 | B2 | A1 |
| R2019 | C3 | B2 |
| R2038 | C2 | C2 |
| U2015 | C1 | A2 |
| U2025 | C3 | C2 |
| U2033 | C2 | B2 |
| U2038 | B4 | C2 |



496/496P
289

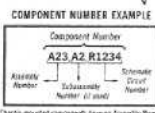
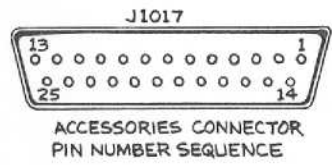
A30A76 ACCESSORIES INTERFAC



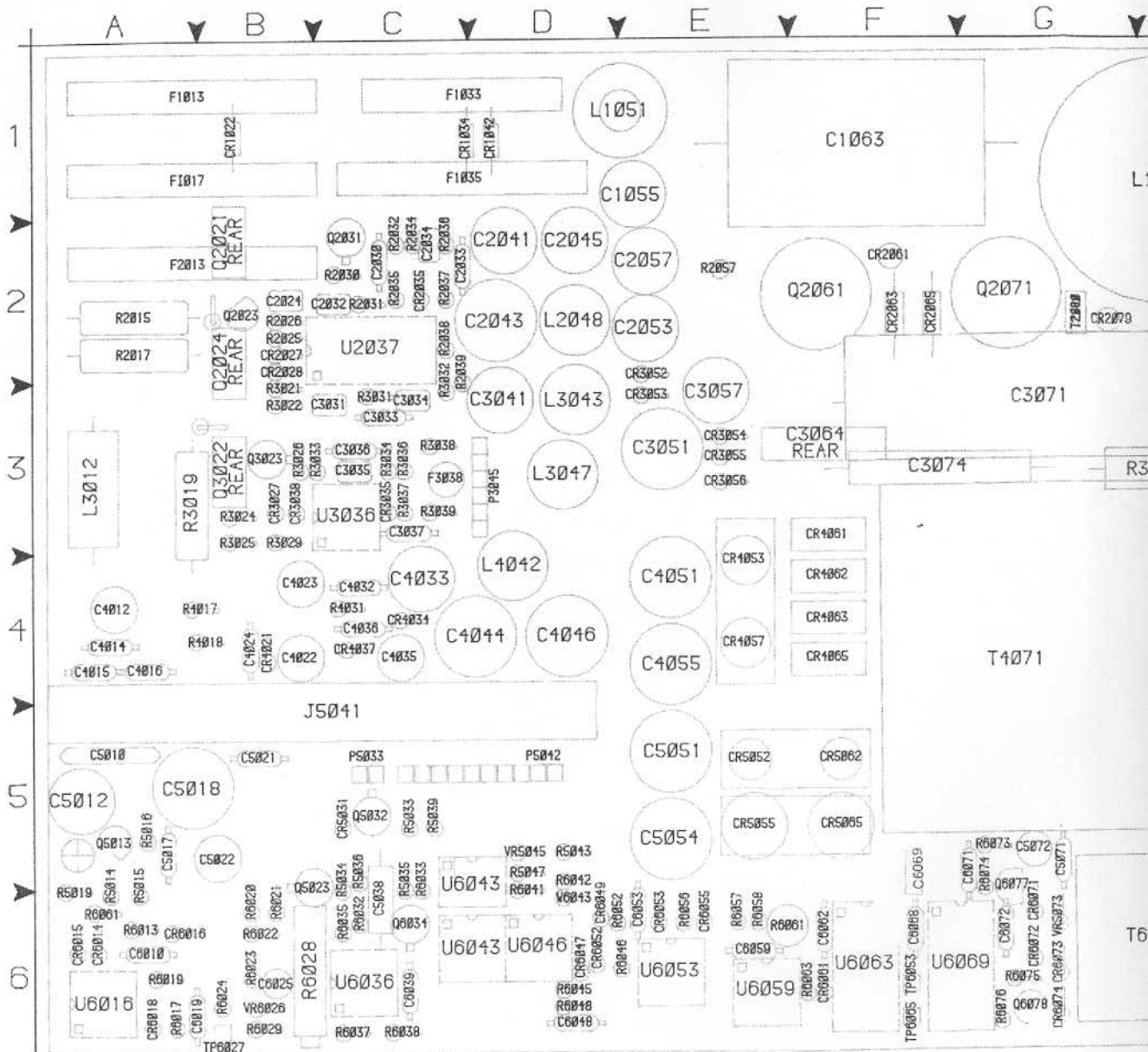
RIES INTERFACE BD

3482-109
REV JUL 1982

ACCESSORIES INTERFACE



Static Sensitive Devices
See Maintenance Section



670-5564-01

Fig. 8-44 A30A1 MAIN POWER SUPPLY Cir

290

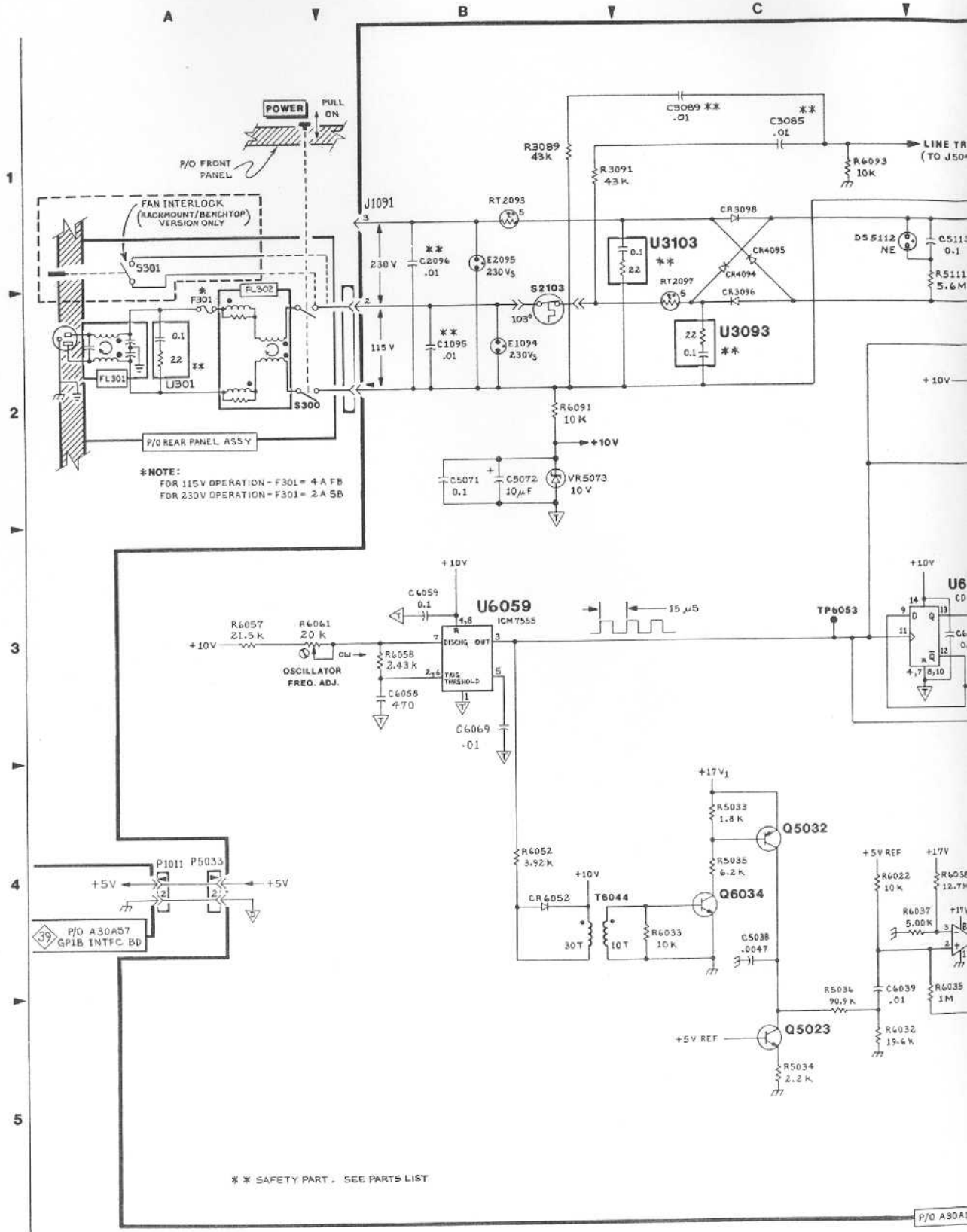
Main Power Supply DIAGRAM

41

ASSEMBLY A30A1

| CIRCUIT NUMBER | SCHEM LOCATION | BOARD LOCATION | CIRCUIT NUMBER | SCHEM LOCATION | BOARD LOCATION | CIRCUIT NUMBER | SCHEM LOCATION | BOARD LOCATION | CIRCUIT NUMBER | SCHEM LOCATION | BOARD LOCATION |
|----------------|----------------|----------------|----------------|----------------|----------------|----------------|----------------|----------------|----------------|----------------|----------------|
| C1063 | F2 | F1 | CR4095 | C1 | J4 | R4092 | D1 | J4 | R6093 | C1 | J6 |
| C1095 | B2 | J1 | CR6047 | E2 | D6 | R5033 | C4 | C5 | | | |
| C2096 | B1 | J2 | CR6049 | E2 | D6 | R5034 | C5 | C5 | RT2097 | C1 | J2 |
| C3071 | F1 | G3 | CR6052 | B4 | D6 | R5035 | C4 | C5 | RT2093 | B1 | J2 |
| C3074 | F4 | G3 | CR6053 | E2 | D6 | R5036 | C4 | C5 | RT3093 | C2 | J3 |
| C3085 | C1 | J3 | CR6055 | D2 | E6 | R5039 | D4 | C5 | | | |
| C4082 | F1 | H4 | CR6061 | D2 | E6 | R5043 | E2 | C5 | S2103 | B2 | J2 |
| C5038 | C4 | C5 | CR6072 | E3 | G6 | R5047 | D5 | D5 | | | |
| C5071 | B2 | G5 | CR6071 | F3 | G6 | R5083 | F3 | H5 | T2080 | F2 | H2 |
| C5072 | B2 | G6 | CR6073 | F4 | G6 | R5086 | F3 | H5 | T4071 | F2 | G4 |
| C5082 | E1 | H5 | CR6074 | E4 | G6 | R5087 | F2 | J6 | T4084 | F1 | H4 |
| C5084 | F3 | H5 | | | | R5111 | D1 | L5 | T6044 | B4 | D6 |
| C5085 | F2 | H5 | DS5112 | C1 | L5 | R6022 | C4 | B6 | T6081 | F3 | H6 |
| C5113 | D1 | L5 | | | | R6032 | C5 | C6 | | | |
| C6039 | C4 | C6 | E1094 | B2 | J1 | R6033 | C4 | C6 | TP6053 | C3 | F6 |
| C6048 | E5 | E6 | E2095 | B1 | J2 | R6034 | D4 | C6 | TP6065 | E4 | F6 |
| C6053 | E2 | E2 | | | | R6035 | D4 | C6 | | | |
| C6058 | B3 | E6 | J1091 | B2 | J1 | R6037 | D4 | C6 | U3093 | C2 | J4 |
| C6059 | B3 | E6 | | | | R6038 | D4 | C6 | U6036 | D4 | C6 |
| C6062 | D2 | E6 | L1081 | F2 | H1 | R6042 | E4 | C6 | U6043 | D4 | D5 |
| C6068 | D3 | F6 | L3088 | F1 | H4 | R6045 | E2 | E6 | U6046A | E5 | D6 |
| C6069* | B3 | F6 | | | | R6048 | E4 | E6 | U6046B | E2 | D6 |
| C6071 | E3 | G6 | Q2061 | F3 | F2 | R6052 | B4 | E6 | U6053 | D2 | E6 |
| C6072 | E3 | G6 | Q2071 | F3 | G2 | R6056 | D2 | E6 | U6059 | B3 | E6 |
| C6101 | D1 | J6 | Q5023 | C5 | B5 | R6057 | A3 | E6 | U6063B | D3 | F6 |
| C6111 | D1 | L6 | Q5032 | C4 | C5 | R6058 | B3 | E6 | U6063A | D2 | F6 |
| CR2061 | F3 | F2 | Q6034 | C4 | C5 | R6061 | A3 | E6 | U6069 | E3 | F6 |
| CR2063 | F4 | F2 | Q6077 | F3 | G6 | R6063 | D2 | E6 | | | |
| CR2065 | F2 | F2 | Q6078 | F3 | G6 | R6073 | E3 | G6 | R5045 | D5 | D5 |
| CR2079 | F2 | H2 | | | | R6074 | E3 | G6 | VR5073 | B2 | G5 |
| CR3098 | C1 | J3 | R3084 | F4 | H3 | R6075 | E3 | G6 | | | |
| CR3096 | C2 | J3 | R3091 | B1 | J3 | R6076 | E3 | G6 | | | |
| CR4094 | C1 | J4 | R4083 | E2 | H4 | R6091 | B2 | J6 | | | |

Partial A30A1 also shown on diagram 42

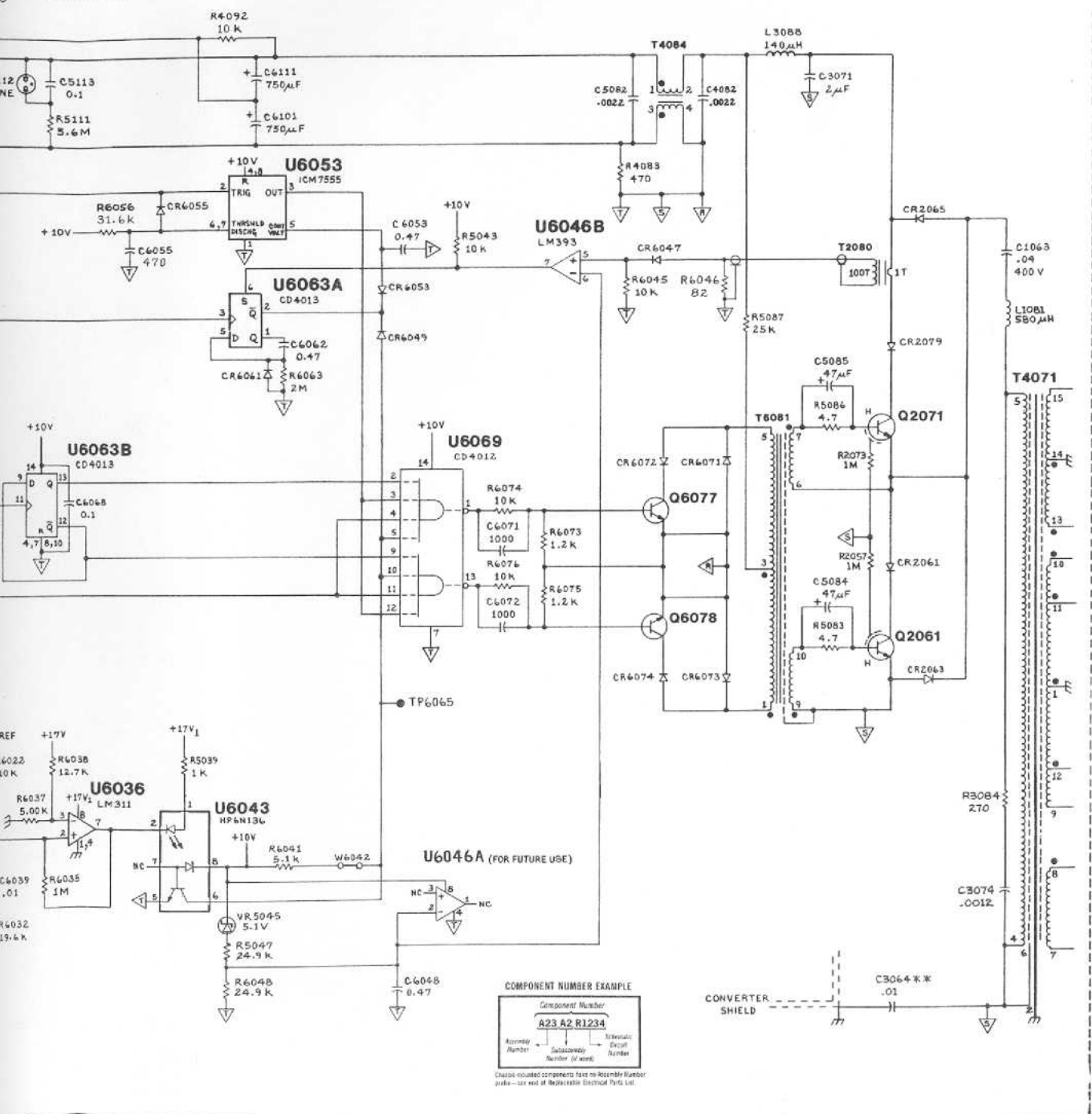


496/496 P

293

P/O A30A1

LINE TRIGGER (TO J5041-1) 42



COMPONENT NUMBER EXAMPLE
 Component Number
 A23 A2 R1234
 Assembly Number Subassembly Number (if used) Terminal/Panel Number
 *Custom-ordered components have no Assembly Number
 and/or Subassembly Number—see note at Representative Electrical Parts List

(PRIMARY SECT.)

J1
A4
A2
A2
A4
C1
C1
34
32

HE
AT
:4
:3
:4
:3
:3
:4
:3
:3

MAIN POWER SUPPLY (SECONDARY) AND FAN DRIVE DIAGRAM 42

ASSEMBLY A30A1

| CIRCUIT NUMBER | SCHEM LOCATION | BOARD LOCATION | CIRCUIT NUMBER | SCHEM LOCATION | BOARD LOCATION | CIRCUIT NUMBER | SCHEM LOCATION | BOARD LOCATION | CIRCUIT NUMBER | SCHEM LOCATION | BOARD LOCATION |
|----------------|----------------|----------------|----------------|----------------|----------------|----------------|----------------|----------------|----------------|----------------|----------------|
| C1055 | B4 | D1 | C6010 | E1 | A6 | J5041 | E1 | A4 | R3032 | C2 | C2 |
| C2024 | C2 | B2 | C6019 | B4 | A6 | L1051 | E2 | D1 | R3033 | A4 | B3 |
| C2030 | A1 | C2 | C6025 | C3 | B6 | L2048 | B3 | D2 | R3034 | A2 | C3 |
| C2032 | B1 | C2 | | | | L3012 | E2 | A3 | R3036 | A1 | C3 |
| C2033 | A4 | C2 | CR1022 | A4 | B1 | L3043 | B3 | D3 | R3037 | B2 | C3 |
| C2034 | A1 | C2 | CR1034 | A4 | C1 | L3047 | B2 | D3 | R3038 | A1 | C3 |
| C2035 | A1 | C2 | CR1042 | A4 | D1 | L4042 | B2 | D4 | R3039 | B2 | C3 |
| C2041 | B4 | D2 | CR2027 | C2 | B2 | | | | R4017 | B4 | A4 |
| C2043 | B3 | D2 | CR2028 | C2 | B2 | P3045 | D3 | D3 | R4018 | E2 | A4 |
| C2045 | A4 | D2 | CR2035 | A1 | C2 | P5042 | E3 | D5 | R4031 | E1 | C4 |
| C2053 | B4 | E2 | CR3027 | A2 | B3 | P5042 | E3 | D5 | R5014 | D1 | A5 |
| C2057 | A4 | E2 | CR3028 | A2 | B3 | | | | R5015 | D1 | A5 |
| C3031 | C2 | C3 | CR3035 | A2 | C3 | Q2021 | B1 | B2 | R5016 | D1 | A5 |
| C3033 | A4 | C3 | CR3052 | A4 | E2 | Q2023 | C1 | B2 | R5019 | C1 | A5 |
| C3034 | C2 | C3 | CR3053 | A4 | E3 | Q2024 | C1 | B2 | R6011 | D1 | A6 |
| C3035 | A2 | C3 | CR3054 | A4 | E3 | Q2031 | B1 | C2 | R6013 | B4 | A6 |
| C3036 | A4 | C3 | CR3055 | A4 | E3 | Q3022 | A1 | B3 | R6017 | B4 | A6 |
| C3037 | A4 | C3 | CR3056 | A3 | E3 | Q3023 | A1 | B3 | R6019 | C1 | A6 |
| C3041 | E2 | D3 | CR4021 | E1 | B4 | Q5013 | C1 | A5 | R6020 | B2 | B6 |
| C3051 | B3 | E3 | CR4034 | E1 | C4 | | | | R6021 | B2 | B6 |
| C3057 | A4 | E3 | CR4037 | E2 | C4 | R2015 | B1 | A2 | R6023 | B3 | B6 |
| C4012 | D2 | A4 | CR4053 | A3 | E4 | R2017 | C2 | A2 | R6024 | C1 | B6 |
| C4014 | D2 | A4 | CR4057 | A3 | E4 | R2022 | C1 | A2 | R6028 | B2 | B6 |
| C4015 | E2 | A4 | CR4061 | A3 | F3 | R2025 | C2 | B2 | R6029 | B2 | B6 |
| C4016 | E2 | A4 | CR4062 | A3 | F4 | R2026 | B1 | B2 | | | |
| C4022 | D1 | B4 | CR4063 | A3 | F4 | R2030 | A1 | C2 | T4071 | A2 | G4 |
| C4023 | D1 | B4 | CR4065 | A3 | F4 | R2031 | A4 | C2 | | | |
| C4024 | E1 | B4 | CR5031 | B2 | C5 | R2032 | B1 | C2 | TP6027 | C2 | B6 |
| C4032 | E1 | C4 | CR5052 | A2 | E5 | R2034 | A1 | C2 | U2037A | C2 | C2 |
| C4033 | B2 | C4 | CR5055 | A2 | E5 | R2035 | B1 | C2 | U2037B | C2 | C2 |
| C4035 | D2 | C4 | CR5062 | A2 | F5 | R2036 | A1 | C2 | U2037C | A1 | C2 |
| C4036 | E2 | C4 | CR5065 | A2 | F5 | R2037 | A1 | C2 | U2037D | B1 | C2 |
| C4044 | A2 | C4 | CR6014 | C1 | A6 | R2038 | B1 | C2 | U2037 | A4 | C2 |
| C4046 | A2 | D4 | CR6015 | C1 | A6 | R2039 | C2 | C2 | U3036A | A2 | C3 |
| C4051 | A3 | E4 | CR6016 | E1 | A6 | R3019 | A1 | A3 | U3036B | A2 | C3 |
| C4055 | A3 | E4 | CR6018 | C1 | A6 | R3021 | B2 | B3 | U3036 | A4 | C3 |
| C5010 | E2 | A5 | | | | R3022 | A4 | B3 | U6016A | C1 | A6 |
| C5012 | E2 | A5 | F1013 | D2 | A1 | R3023 | E1 | B3 | U6016B | C1 | A6 |
| C5017 | B4 | A5 | F1017 | C2 | A1 | R3024 | A2 | B3 | U6016 | B4 | A6 |
| C5018 | C2 | A5 | F1033 | E2 | C1 | R3025 | E2 | B3 | | | |
| C5021 | C2 | B5 | F1035 | E2 | C1 | R3026 | A2 | B3 | VR6026 | B2 | B6 |
| C5022 | D1 | B5 | F2013 | E2 | A2 | R3029 | A4 | B3 | | | |
| C5051 | A2 | E5 | F3038 | D2 | C3 | R3031 | D2 | C3 | | | |
| C5054 | A2 | E5 | | | | | | | | | |

ASSEMBLY A30A2

| CIRCUIT NUMBER | SCHEM LOCATION | BOARD LOCATION | CIRCUIT NUMBER | SCHEM LOCATION | BOARD LOCATION | CIRCUIT NUMBER | SCHEM LOCATION | BOARD LOCATION | CIRCUIT NUMBER | SCHEM LOCATION | BOARD LOCATION |
|----------------|----------------|----------------|----------------|----------------|----------------|----------------|----------------|----------------|----------------|----------------|----------------|
| C1017 | B4 | A1 | P1037 | E4 | C1 | R1015 | C4 | A1 | R2034 | C4 | C2 |
| C1018 | D3 | A1 | P2020 | E4 | B2 | R1017 | C4 | A1 | R2035 | C3 | B2 |
| C1019 | C3 | A2 | P2043 | E3 | C2 | R1024 | D3 | B1 | R2036 | C4 | C2 |
| C1026 | D3 | B1 | P240 | D3 | C2 | R1026 | C3 | C2 | R2037 | E3 | C2 |
| C1028 | C3 | B1 | | | | R1027 | D3 | B1 | R2039 | D3 | C2 |
| C1032 | D3 | C1 | Q1010 | B4 | A1 | R1028 | C4 | B1 | R2042 | D4 | C2 |
| C1033 | C3 | B1 | Q1018 | C3 | A1 | R1029 | C4 | B1 | | | |
| C2012 | C3 | A2 | Q1020 | D3 | B1 | R1031 | D3 | C1 | RT2045 | D3 | C2 |
| C2018 | D3 | A2 | Q1025 | D3 | B1 | R1032 | D4 | C1 | | | |
| C2028 | D3 | B2 | Q1038 | E4 | D1 | R1033 | C3 | C1 | VR1015 | B4 | A1 |
| | | | Q1044 | E4 | D1 | R1036 | C4 | C1 | VR2038 | E3 | C2 |
| CR1039 | E4 | C1 | Q2020 | D3 | A2 | R2014 | C3 | A2 | | | |
| CR2040 | E3 | D2 | Q2025 | C3 | B2 | R2016 | D3 | A2 | | | |
| | | | Q2030 | C3 | B2 | R2019 | C3 | A2 | | | |

Partial A30A1 also shown on diagram 41

CRT READOUT CKT BD LOC

MAIN PWR SUPPLY CKT BD LOC

Z-AXIS CKT BD LOC & BLOCK DIAG

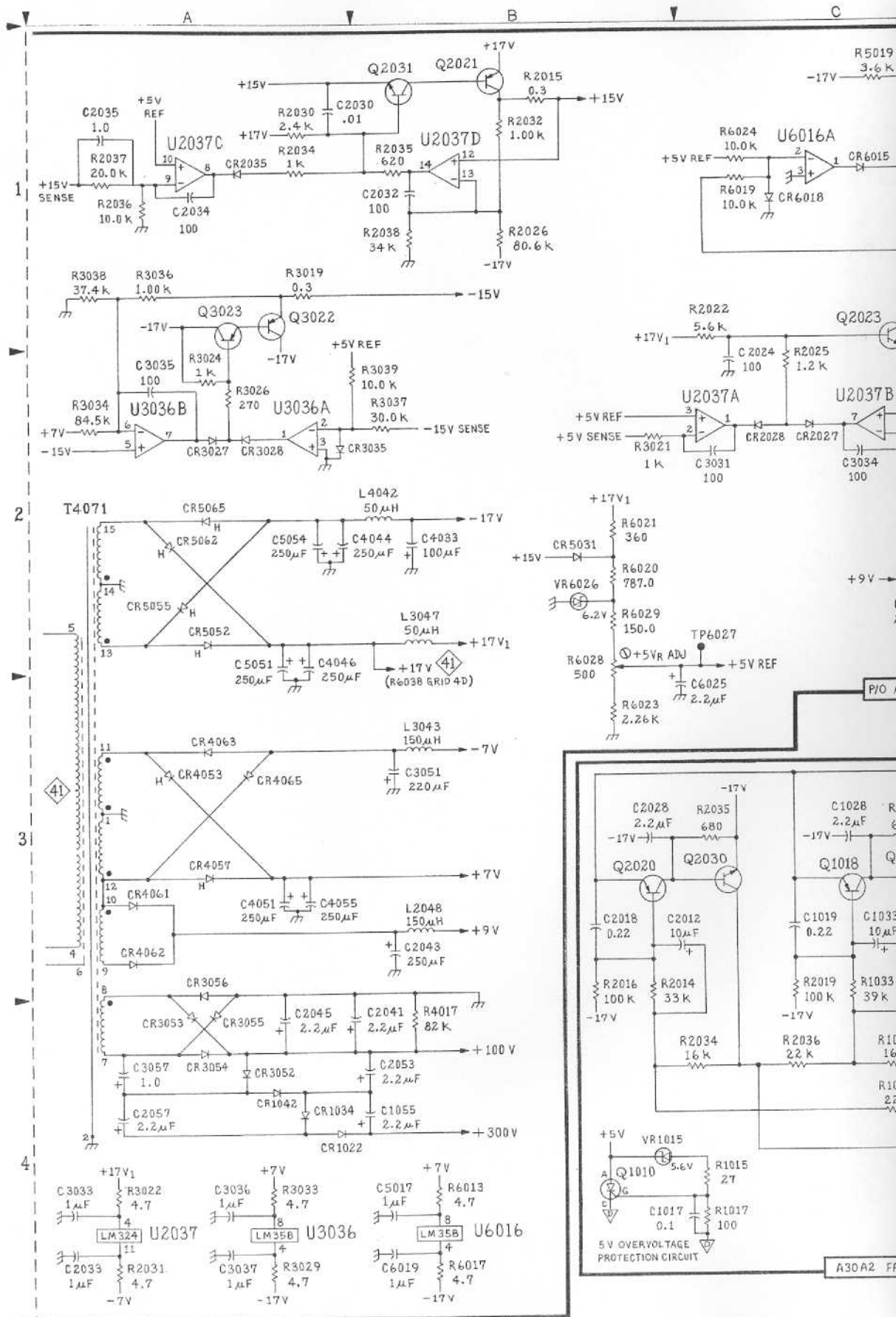
FAN DRIVE CKT BD LOC

GPIB CKT BD LOC & BLOCK DIAG

LOG AMPL

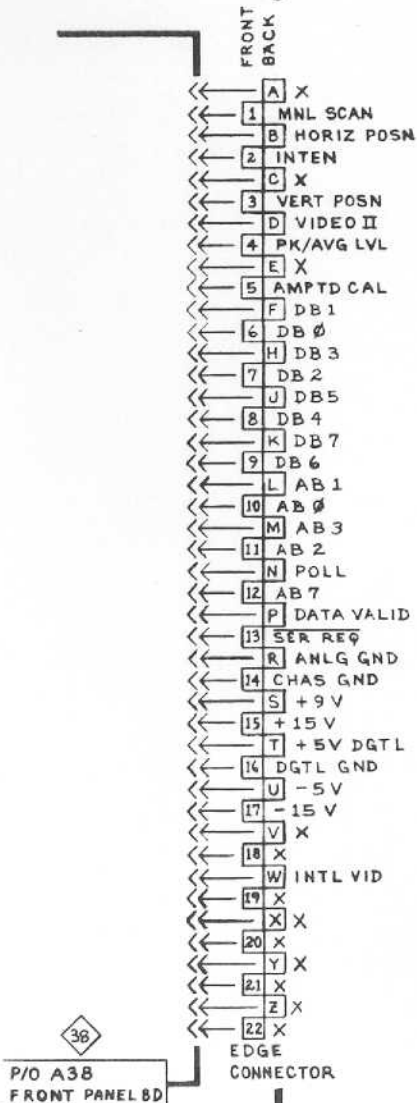
VIDEO AMP & OSC CKT BD LOC

ACCESSORIES INTFC CKT BD LOC



NOTES:

- 1. X = NO CONNECTION
- 2. POSITIONS OF CONNECTORS ON THIS DIAGRAM ARE SIMILAR TO BUT ARE NOT EXACTLY IDENTICAL TO CONNECTOR POSITIONS ON THE BOARD.



P/O A38 FRONT PANEL BD

| | | |
|----------------|----|----|
| BFRD TUNE | 59 | 60 |
| VOLTS | 57 | 58 |
| VIDEO FLTR OUT | 55 | 56 |
| SWP GND | 53 | 54 |
| LINE TRIG | 51 | 52 |
| OSC SWP | 49 | 50 |
| INTEN | 47 | 48 |
| SWP | 45 | 46 |
| -5V | 43 | 44 |
| DGTL GND | 41 | 42 |
| DGTL | 39 | 40 |
| VIDEO MKR | 37 | 38 |

| | | |
|------------|----|----|
| +9V | 35 | 36 |
| ANLG GND | 33 | 34 |
| DATA VALID | 31 | 32 |
| SER REQ | 29 | 30 |
| POLL | 27 | 28 |
| AB5 | 25 | 26 |
| DB7 | 23 | 24 |
| DB5 | 21 | 22 |
| DB3 | 19 | 20 |
| DB1 | 17 | 18 |
| PHASE GATE | 15 | 16 |
| CHAS GND | 13 | 14 |

J 1020 5 4 3 2 1 FOR FUTURE USE

J 1024 5 4 3 2 1 FOR FUTURE USE

| | | |
|------------|----|----|
| X | 59 | 60 |
| X | 57 | 58 |
| +17V | 55 | 56 |
| X | 53 | 54 |
| +20dB | 51 | 52 |
| +10dB | 49 | 50 |
| +10dB RTN | 47 | 48 |
| INTEN | 45 | 46 |
| -5V | 43 | 44 |
| +5V DGTL | 41 | 42 |
| X | 39 | 40 |
| X | 37 | 38 |
| +9V | 35 | 36 |
| ANLG GND | 33 | 34 |
| DATA VALID | 31 | 32 |
| POLL | 29 | 30 |
| X | 27 | 28 |
| AB5 | 25 | 26 |
| DB7 | 23 | 24 |
| DB5 | 21 | 22 |
| DB3 | 19 | 20 |
| DB1 | 17 | 18 |
| R/O UNBLK | 15 | 16 |
| AUTO FOCUS | 13 | 14 |

J 2025 7 6 5 4 3 2 1 FOR FUTURE USE

| | | | |
|-----------|----|----|--------------|
| DB 0 | 26 | 25 | DB 1 |
| DB 2 | 28 | 27 | DB 3 |
| DB 4 | 30 | 29 | DB 5 |
| DB 6 | 32 | 31 | DB 7 |
| AB 0 | 34 | 33 | AB 1 |
| AB 2 | 36 | 35 | AB 3 |
| AB 7 | 38 | 37 | POLL |
| SER REQ | 40 | 39 | DATA VALID |
| CHAS GND | 42 | 41 | ANLG GND |
| +15V | 44 | 43 | +9V |
| DGTL GND | 46 | 45 | +5V DGTL |
| -15V | 48 | 47 | -5V |
| X | 50 | 49 | VIDEO I |
| X | 52 | 51 | INTL VID |
| OSC DR | 54 | 53 | EXT VID |
| X | 56 | 55 | EXT VID SEL |
| X | 58 | 57 | VID FLTR OUT |
| VIDEO MKR | 60 | 59 | X |

| | | |
|----------------|----|----|
| FOR FUTURE USE | 14 | 13 |
| | 16 | 15 |
| | 18 | 17 |
| | 20 | 19 |
| | 22 | 21 |
| | 24 | 23 |
| | 26 | 25 |
| | 28 | 27 |
| | 30 | 29 |
| | 32 | 31 |
| | 34 | 33 |
| | 36 | 35 |
| | 38 | 37 |
| | 40 | 39 |
| | 42 | 41 |
| | 44 | 43 |
| | 46 | 45 |
| | 48 | 47 |
| | 50 | 49 |
| | 52 | 51 |
| | 54 | 53 |
| | 56 | 55 |
| | 58 | 57 |
| | 60 | 59 |

VIDEO PROCESSOR 25

NOT USED

J 4018 6 5

| | | | |
|-----|----|----|-----|
| AB6 | 27 | 28 | AB6 |
| X | | | |
| AB5 | 25 | 26 | AB4 |
| DB7 | 23 | 24 | DB6 |
| DB5 | 21 | 22 | DB4 |
| DB3 | 19 | 20 | DB2 |
| DB1 | 17 | 18 | DB0 |
| X | 15 | 16 | X |
| X | 13 | 14 | X |

| | | | |
|---|----|----|---|
| X | 11 | 12 | X |
| X | 9 | 10 | X |
| X | 7 | 8 | X |
| X | 5 | 6 | X |
| X | 3 | 4 | X |
| X | 1 | 2 | X |

SWEEP 32

| | | | |
|-----------|----|----|---|
| X | 11 | 10 | X |
| +200V | | | |
| Z AXIS DR | 7 | | |
| X | | | |
| CHAS GND | 3 | 4 | |
| +100V | | | |
| +15V | | | |
| -15V | | | |

HIGH VOLTAGE 31

| | | | |
|------------|---|---|---|
| 4 | 3 | 2 | 1 |
| PHASE GATE | | | |
| +15V | | | |
| CHAS GND | | | |
| -15V | | | |

J1025

| | | | |
|------------|----|----|---------------|
| R/O UNBLK | 15 | 16 | AUTO FOCUS |
| Z AXIS BLK | 13 | 14 | R/O OFF |
| CLIP | 11 | 12 | STOR OFF |
| X | 9 | 10 | SWP GATE |
| +300V | 7 | 8 | X |
| X | 5 | 6 | AUTO FOCUS DR |
| +200V | 3 | 4 | X |
| +100V | 1 | 2 | Z AXIS DR |

Z AXIS 30

NOT USED

| | | |
|---|-------------------|---|
| 1 | CHAS GND | 1 |
| 2 | +15V | 2 |
| 3 | -15V | 3 |
| 4 | REF PHASE LOCKOUT | 4 |

J1035

| | | |
|---|-------------|-----------------|
| 1 | -7V | 1st LO 11 |
| 2 | OSC COIL + | |
| 3 | +5V | 1 OSC COLL SPLY |
| 4 | OSC FLTR SW | 2 +15V |
| 5 | +17V | 3 CHAS GND |
| 6 | OSC COIL - | 4 FM COIL + |
| | | 5 FM COIL - |

J1036

J1037

J1038

ALL FOUR CONNECTORS PIN SIGNALS ARE IDENTICAL EXCEPT AS NOTED

FOR FUTURE USE

| | |
|----|----|
| 14 | 13 |
| 16 | 15 |
| 18 | 17 |
| 20 | 19 |
| 22 | 21 |
| 24 | 23 |
| 26 | 25 |
| 28 | 27 |
| 30 | 29 |
| 32 | 31 |
| 34 | 33 |
| 36 | 35 |

| | | | |
|-----------|----|----|-------------|
| X | 14 | 13 | X |
| X | 16 | 15 | OSC FLTR SW |
| DB0 | 18 | 17 | DB1 |
| DB2 | 20 | 19 | DB3 |
| DB4 | 22 | 21 | DB5 |
| DB6 | 24 | 23 | DB7 |
| AB0 | 26 | 25 | AB1 |
| AB2 | 28 | 27 | AB3 |
| AB7 | 30 | 29 | X |
| X | 32 | 31 | DATA VALID |
| CHAS. GND | 34 | 33 | ANLG GND |
| +15V | 36 | 35 | +9V |

| | | | |
|----|----|-----|----------------|
| X | 14 | 13 | FAST TUNE ENBL |
| X | 16 | 15 | X |
| 18 | 17 | | |
| 20 | 19 | | |
| 22 | 21 | | |
| 24 | 23 | | |
| 26 | 25 | AB0 | |
| 28 | 27 | | |
| 30 | 29 | X | |
| X | 32 | 31 | X |
| 34 | 33 | | |
| 36 | 35 | | |

NOT USED

| |
|---|
| 1 |
| 2 |
| 3 |
| 4 |
| 5 |

J4025

| | | | |
|----|----|----|---|
| X | 14 | 13 | X |
| X | 16 | 15 | X |
| 18 | 17 | | |
| 20 | 19 | | |
| 22 | 21 | | |
| 24 | 23 | | |
| 26 | 25 | | |
| 28 | 27 | | |
| 30 | 29 | | |
| 32 | 31 | | |
| 34 | 33 | X | |
| 36 | 35 | X | |

| | | | |
|----------|----|----|--------|
| N CLK | 2 | 1 | X |
| N DATA | 4 | 3 | X |
| CONT LCH | 6 | 5 | N LCH |
| UP | 8 | 7 | X |
| DOWN | 10 | 9 | X |
| F ERROR | 12 | 11 | SEARCH |

| | |
|----|----|
| 38 | 37 |
| 40 | 39 |
| 42 | 41 |
| 44 | 43 |
| 46 | 45 |
| 48 | 47 |
| 50 | 49 |
| 52 | 51 |
| 54 | 53 |
| 56 | 55 |
| 58 | 57 |
| 60 | 59 |

| | | | |
|-------------|----|----|----------------|
| X | 38 | 37 | X |
| X | 40 | 39 | X |
| DGTL GND | 42 | 41 | +5V DGTL |
| -15V | 44 | 43 | -5V |
| X | 46 | 45 | OSC COIL + |
| BFRD TUNE V | 48 | 47 | CRS TUNE VOLTS |
| -10V REF | 50 | 49 | CRS TUNE GND |
| OSC DR | 52 | 51 | -10V REF GND |
| SPAN VOLTS | 54 | 53 | OSC COIL SPLY |
| OSC COIL - | 56 | 55 | X |
| X | 58 | 57 | 1st MXR BIAS |
| X | 60 | 59 | X |

| | | | |
|----|----|----------|--------------|
| X | 38 | 37 | X |
| X | 40 | 39 | X |
| 42 | 41 | | |
| 44 | 43 | | |
| X | 46 | 45 | FINE TUNE V |
| 48 | 47 | CRS TUNE | |
| X | 50 | 49 | CRS TUNE GND |
| X | 52 | 51 | X |
| X | 54 | 53 | X |
| X | 56 | 55 | X |
| X | 58 | 57 | X |
| X | 60 | 59 | X |

NOT USED

| |
|---|
| 1 |
| 2 |
| 3 |
| 4 |
| 5 |

2ND LO SWP GND

FM COIL -

OSC SWP

OSC SWP GND

X

X

X

| | | | |
|----|----|----------------------|---|
| X | 38 | 37 | X |
| X | 40 | 39 | X |
| 42 | 41 | | |
| 44 | 43 | X | |
| 46 | 45 | 2ND LO SWP | |
| 48 | 47 | FM COIL + | |
| X | 50 | 2ND LO SWP PATTEN SW | |
| 52 | 51 | X | |
| 54 | 53 | X | |
| 56 | 55 | X | |
| X | 58 | 57 | X |
| X | 60 | 59 | X |

| | | | |
|----------|----|----|-----|
| CHAS GND | 34 | 33 | X |
| +15V | 36 | 35 | +9V |

| | | | |
|-----------|----|----|-----------|
| X | 38 | 37 | X |
| X | 40 | 39 | X |
| X | 42 | 41 | X |
| -15V | 44 | 43 | -5V |
| ERROR I | 46 | 45 | X |
| FM COIL - | 48 | 47 | FM COIL + |

1st LO DRIVER 35

CTR FREQ CONT 34

SPAN ATTENUATOR 33

ERROR AMPL (SYNTHESIZER) 13

J4018

| | | | | | |
|-------|-------|-------|-------|-------|-------|
| 6 | 5 | 4 | 3 | 2 | 1 |
| +10dB | +10dB | +20dB | +20dB | +30dB | +30dB |
| RTN | RTN | RTN | RTN | RTN | RTN |

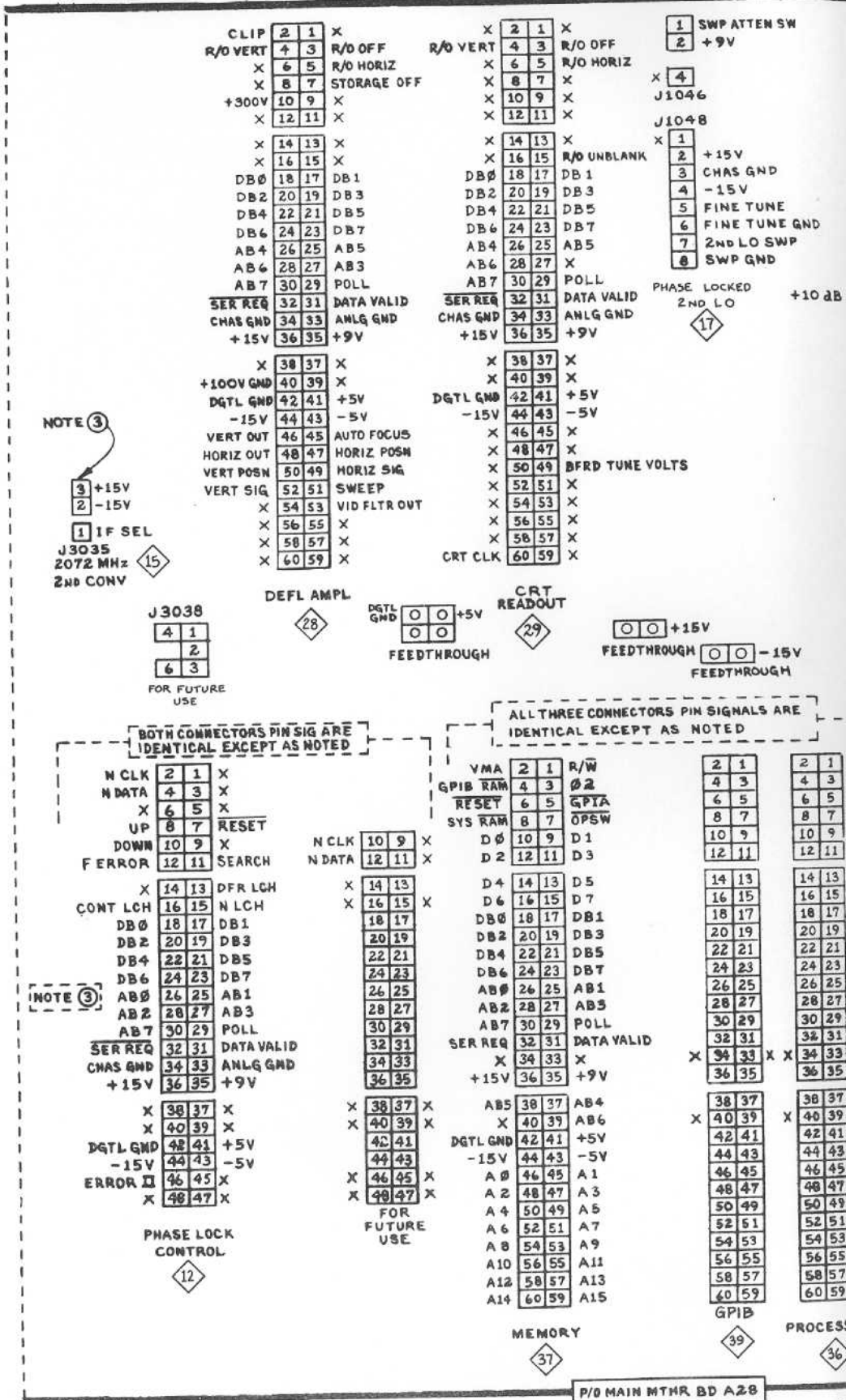
ATTENUATOR 0-60 dB

P/O MAIN MTHR BD A2B

3482-112

MOTHER BOARD (FRONT) 43

300



SWP ATTEN SW
+9V

DB0 2 1 DB1
DB2 4 3 DB3
DB4 6 5 DB5
DB6 8 7 DB7
AB4 10 9 AB5
AB6 12 11 POLL

AB7 14 13 DATA VALID
SER REQ 16 15 X
CHAS GND 18 17 +9V
+15V 20 19 X
X 22 21 X
X 24 23 X
DQTL GND 26 25 +10dB LINE B
-15V 28 27 +20dB
X 30 29 G
X 32 31 F
+5V 34 33 E
X 36 35 +5V DQTL

J1049
VR #2
21 22

+20 dB 2 1 +10dB LINE B
X 4 3 +10dB LINE A
X 6 5 AMPTD CAL
E 8 7 X
F 10 9 -15V
G 12 11 POLL
+5V 14 13 X
SER REQ 16 15 X
CHAS GND 18 17 +9V
+15V 20 19 X
X 22 21 X
X 24 23 X

J1050
VR #1
20

+100V 1 36 +300V
+100 GND 2 35 +17V
34 +17V

-7V 3 33 +9V
+5V 4 32 +9V
+5V 5 31 +9V
+5V 6 30 +5V
DQTL GND 7 29 +5V

DQTL GND 8 28 DQTL GND
DQTL GND 9 27 DQTL GND
+5V SENSE 10 26 CHASSIS GND

ANLG GND 11 25 HORIZ OUTPUT
+15V 12 24 -5V
+15V 13 23 +15V

-15V SENSE 14 22 -15V
+15V SENSE 15 21 -15V
20 -15V

+100V 20 →
X X 19 →
+300V W →
+100V GND 18 →
X V →
-7V 17 →
+17V U →
+9V T →
+9V 16 →
+5V 15 →
+5V S →
+5V 14 →
+5V R →
+5 SENSE 13 →
DQTL GND P →
DQTL GND 12 →
DQTL GND N →
DQTL GND 11 →
DQTL GND M →
CHAS GND 10 →
ANLG GND 9 →
ANLG GND K →
ANLG GND 8 →
ANLG GND J →
HORIZ OUTPUT 7 →
-5V H →
-15V 6 →
-15V F →
-15V SENSE 5 →
-15V E →
+15V SENSE 4 →
+15V D →
+15V 3 →
+15V C →
VERT OUT 2 →
EXT IN B →
LINE TRIGGER 1 →
PEN LIFT A →

NOTE:

1. X = NO CONNECTION.
2. POSITIONS OF CONNECTORS ON THIS DIAGRAM ARE SIMILAR TO BUT NOT EXACTLY IDENTICAL TO THE CONNECTOR POSITIONS ON THE BOARD.
3. THIS CONNECTOR LOCATED AT LEFT SIDE OF PHASE LOCK CONTROL CONNECTOR.

LINE TRIGGER 16 19 EXT IN
VERT OUT 17 18 PEN LIFT
FEEDTHROUGH

1 +15V
2 -15V
3 CHAS GND

J3045
110 MHz
IF AMPL 18

15V
-15V
FEEDTHROUGH

PIN SIGNALS ARE NOTED

| | |
|----|----|
| 2 | 1 |
| 4 | 3 |
| 6 | 5 |
| 8 | 7 |
| 10 | 9 |
| 12 | 11 |

BOTH CONNECTORS PIN SIGNALS ARE IDENTICAL EXCEPT AS NOTED

| | | | | | |
|-----------|----|----|--------|----|----|
| DS CLK | 2 | 1 | Ø2 CLK | 2 | 1 |
| DSDO | 4 | 3 | DSDI | 4 | 3 |
| BA1 | 6 | 5 | BAØ | 6 | 5 |
| DS R/W | 8 | 7 | BA2 | 8 | 7 |
| DSPL ENBL | 10 | 9 | SYNC | 10 | 9 |
| CMPR | 12 | 11 | ST DIV | 12 | 11 |

Z AXIS BLANK

| | |
|----|----|
| 2 | 1 |
| 4 | 3 |
| 6 | 5 |
| 8 | 7 |
| 10 | 9 |
| 12 | 11 |

| | | | | | |
|-------|----|----|------|----|----|
| MKR | 14 | 13 | BLKG | 14 | 13 |
| VALID | 16 | 15 | B-A | 16 | 15 |
| X | 18 | 17 | X | 18 | 17 |
| X | 20 | 19 | X | 20 | 19 |
| X | 22 | 21 | X | 22 | 21 |
| X | 24 | 23 | X | 24 | 23 |
| X | 26 | 25 | X | 26 | 25 |
| X | 28 | 27 | X | 28 | 27 |
| X | 30 | 29 | X | 30 | 29 |
| X | 32 | 31 | X | 32 | 31 |
| X | 34 | 33 | X | 34 | 33 |
| X | 36 | 35 | X | 36 | 35 |

| | | | | | | |
|-----|----|----|------------|----|----|----|
| DBØ | 18 | 17 | DB1 | 18 | 17 | |
| DB2 | 20 | 19 | DB3 | 20 | 19 | |
| DB4 | 22 | 21 | DB5 | 22 | 21 | |
| DB6 | 24 | 23 | DB7 | 24 | 23 | |
| ABØ | 26 | 25 | AB1 | 26 | 25 | |
| AB2 | 28 | 27 | AB3 | 28 | 27 | |
| AB7 | 30 | 29 | X | 30 | 29 | |
| X | 32 | 31 | DATA VALID | X | 32 | 31 |
| X | 34 | 33 | X | X | 34 | 33 |
| X | 36 | 35 | X | X | 36 | 35 |

| | | | |
|-----|----|----|------------|
| X | 14 | 13 | X |
| X | 16 | 15 | X |
| DBØ | 18 | 17 | DB1 |
| DB2 | 20 | 19 | DB3 |
| DB4 | 22 | 21 | DB5 |
| DB6 | 24 | 23 | DB7 |
| ABØ | 26 | 25 | AB1 |
| AB2 | 28 | 27 | AB3 |
| AB7 | 30 | 29 | X |
| X | 32 | 31 | DATA VALID |
| X | 34 | 33 | X |
| X | 36 | 35 | +9V |

EDGE CONNECTOR

P/O A30
MAIN PWR SPLY

| | |
|----|----|
| 38 | 37 |
| 40 | 39 |
| 42 | 41 |
| 44 | 43 |
| 46 | 45 |
| 48 | 47 |
| 50 | 49 |
| 52 | 51 |
| 54 | 53 |
| 56 | 55 |
| 58 | 57 |
| 60 | 59 |

| | | | |
|---|----|----|---|
| X | 38 | 37 | X |
| X | 40 | 39 | X |
| X | 42 | 41 | X |
| X | 44 | 43 | X |
| X | 46 | 45 | X |
| X | 48 | 47 | X |
| X | 50 | 49 | X |
| X | 52 | 51 | X |
| X | 54 | 53 | X |
| X | 56 | 55 | X |
| X | 58 | 57 | X |
| X | 60 | 59 | X |

| | | | |
|---|----|----|---|
| X | 38 | 37 | X |
| X | 40 | 39 | X |
| X | 42 | 41 | X |
| X | 44 | 43 | X |
| X | 46 | 45 | X |
| X | 48 | 47 | X |
| X | 50 | 49 | X |
| X | 52 | 51 | X |
| X | 54 | 53 | X |
| X | 56 | 55 | X |
| X | 58 | 57 | X |
| X | 60 | 59 | X |

| | | | |
|---|----|----|---|
| X | 38 | 37 | X |
| X | 40 | 39 | X |
| X | 42 | 41 | X |
| X | 44 | 43 | X |
| X | 46 | 45 | X |
| X | 48 | 47 | X |

EDGE CONNECTOR

EXT VID SEL 12 →
EXT VID N →
X 11 →
EXT VIDEO MKR M →
DATA VALID 10 →
POLL L →
SER REQ 9 →
INTL CONT K →
DB1 8 →
DBØ J →
DB3 7 →
DB2 H →
DB5 6 →
DB4 F →
DB7 5 →
DB6 E →
AB1 4 →
ABØ D →
AB3 3 →
AB2 C →
AB5 2 →
AB4 B →
AB7 1 →
AB6 A →

GPID 39
PROCESSOR 36
R BD A28

DQTL STORAGE HORIZONTAL 26

DQTL STORAGE VERTICAL 27

FOR FUTURE USE J4050 6 5 4 3 2 1

FEEDTHROUGH 40
P/O A76 ACCESSORIES INTFC BD.

REPLACEABLE MECHANICAL PARTS

PARTS ORDERING INFORMATION

Replacement parts are available from or through your local Tektronix, Inc. Field Office or representative.

Changes to Tektronix instruments are sometimes made to accommodate improved components as they become available, and to give you the benefit of the latest circuit improvements developed in our engineering department. It is therefore important, when ordering parts, to include the following information in your order: Part number, instrument type or number, serial number, and modification number if applicable.

If a part you have ordered has been replaced with a new or improved part, your local Tektronix, Inc. Field Office or representative will contact you concerning any change in part number.

Change information, if any, is located at the rear of this manual.

SPECIAL NOTES AND SYMBOLS

X000 Part first added at this serial number
00X Part removed after this serial number

FIGURE AND INDEX NUMBERS

Items in this section are referenced by figure and index numbers to the illustrations.

INDENTATION SYSTEM

This mechanical parts list is indented to indicate item relationships. Following is an example of the indentation system used in the description column.

```

1 2 3 4 5           Name & Description
Assembly and/or Component
Attaching parts for Assembly and/or Component
-----
Detail Part of Assembly and/or Component
Attaching parts for Detail Part
-----
Parts of Detail Part
Attaching parts for Parts of Detail Part
-----

```

Attaching Parts always appear in the same indentation as the item it mounts, while the detail parts are indented to the right. Indented items are part of, and included with, the next higher indentation. The separation symbol ----- indicates the end of attaching parts.

Attaching parts must be purchased separately, unless otherwise specified.

ITEM NAME

In the Parts List, an Item Name is separated from the description by a colon (:). Because of space limitations, an Item Name may sometimes appear as incomplete. For further Item Name identification, the U.S. Federal Cataloging Handbook H6-1 can be utilized where possible.

ABBREVIATIONS

| | | | | | | | |
|-------|---------------------|---------|-----------------------|----------|----------------------|---------|-----------------|
| # | INCH NUMBER SIZE | ELECTRN | ELECTRON | IN | INCH | SE | SINGLE END |
| ACTR | ACTUATOR | ELEC | ELECTRICAL | INCAND | INCANDESCENT | SECT | SECTION |
| ADPTR | ADAPTER | ELECTLT | ELECTROLYTIC | INSUL | INSULATOR | SEMICON | SEMICONDUCTOR |
| ALIGN | ALIGNMENT | ELEM | ELEMENT | INTL | INTERNAL | SHLD | SHIELD |
| AL | ALUMINUM | EPL | ELECTRICAL PARTS LIST | LPHLDR | LAMPHOLDER | SHLDR | SHOULDERED |
| ASSEM | ASSEMBLED | EQPT | EQUIPMENT | MACH | MACHINE | SKT | SOCKET |
| ASSY | ASSEMBLY | EXT | EXTERNAL | MECH | MECHANICAL | SL | SLIDE |
| ATTEN | ATTENUATOR | FIL | FILLISTER HEAD | MTG | MOUNTING | SLFLKG | SELF-LOCKING |
| AWG | AMERICAN WIRE GAGE | FLEX | FLEXIBLE | NIP | NIPPLE | SLVG | SLEEVING |
| BD | BOARD | FLH | FLAT HEAD | NON WIRE | NOT WIRE WOUND | SPR | SPRING |
| BRKT | BRACKET | FLTR | FILTER | OBD | ORDER BY DESCRIPTION | SO | SQUARE |
| BRS | BRASS | FR | FRAME or FRONT | OD | OUTSIDE DIAMETER | SST | STAINLESS STEEL |
| BRZ | BRONZE | FSTNR | FASTENER | OVH | OVAL HEAD | STL | STEEL |
| BSHG | BUSHING | FT | FOOT | PH BRZ | PHOSPHOR BRONZE | SW | SWITCH |
| CAB | CABINET | FXD | FIXED | PL | PLAIN or PLATE | T | TUBE |
| CAP | CAPACITOR | GSKT | GASKET | PLSTC | PLASTIC | TERM | TERMINAL |
| CER | CERAMIC | HDL | HANDLE | PN | PART NUMBER | THD | THREAD |
| CHAS | CHASSIS | HEX | HEXAGON | PNH | PAN HEAD | THK | THICK |
| CKT | CIRCUIT | HEX HD | HEXAGONAL HEAD | PWR | POWER | TNSN | TENSION |
| COMP | COMPOSITION | HEX SOC | HEXAGONAL SOCKET | RCPT | RECEPTACLE | TPG | TAPPING |
| CONN | CONNECTOR | HLCPS | HELICAL COMPRESSION | RES | RESISTOR | TRH | TRUSS HEAD |
| COV | COVER | HLEXT | HELICAL EXTENSION | RGD | RIGID | V | VOLTAGE |
| CPLG | COUPLING | HV | HIGH VOLTAGE | RLF | RELIEF | VAR | VARIABLE |
| CRT | CATHODE RAY TUBE | IC | INTEGRATED CIRCUIT | RTNR | RETAINER | W/ | WITH |
| DEG | DEGREE | ID | INSIDE DIAMETER | SCH | SOCKET HEAD | WSHR | WASHER |
| DWR | DRAWER | IDNT | IDENTIFICATION | SCOPE | OSCILLOSCOPE | XFMR | TRANSFORMER |
| | | IMPLR | IMPELLER | SCR | SCREW | XSTR | TRANSISTOR |

CROSS INDEX—MFR. CODE NUMBER TO MANUFACTURER

| Mfr. Code | Manufacturer | Address | City, State, Zip |
|-----------|---|---------------------------------|------------------------------|
| 000AH | STANDARD PRESSED STEEL CO., UNBRAKO DIV. | 8535 DICE ROAD | SANTA FE SPRINGS, CA 90670 |
| 000BB | BERQUIST COMPANY | 4350 WEST 78TH | MINNEAPOLIS, MN 55435 |
| 000BK | STAUFFER SUPPLY | 105 SE TAYLOR | PORTLAND, OR 97214 |
| 000CY | NORTHWEST FASTENER SALES, INC. | 7923 SW CIRURUS DRIVE | BEAVERTON, OR 97005 |
| 000HC | PANEL COMPONENT CORP. | 335 TESCONI CIRCLE | SANTA ROSA, CA 95401 |
| 00779 | AMP, INC. | P O BOX 3608 | HARRISBURG, PA 17105 |
| 02615 | USM CORP., NYLOCK FASTENER DIVISION | 611 INDUSTRIAL AVENUE | PARAMUS, NJ 07652 |
| 05820 | WAKEFIELD ENGINEERING, INC. | AUDUBON ROAD | WAKEFIELD, MA 01880 |
| 06383 | PANDUIT CORPORATION | 17301 RIDGELAND | TINLEY PARK, IL 60477 |
| 06540 | AMATOM ELECTRONIC HARDWARE, DIV. OF MITE CORP. | | |
| 06666 | GENERAL DEVICES CO., INC. | 446 BLAKE ST. | NEW HAVEN, CT 06515 |
| 07707 | USM CORP., USM FASTENER DIV. | 525 S. WEBSTER AVE. | INDIANAPOLIS, IN 46219 |
| 08261 | SPECTRA-STRIP CORP. | 510 RIVER RD. | SHELTON, CT 06484 |
| 09422 | PLASTIC STAMPING CORPORATION | 7100 LAMPSON AVE. | GARDEN GROVE, CA 92642 |
| 11897 | PLASTIGLIDE MFG. CORPORATION | 2216 W. ARMITAGE AVE. | CHICAGO, IL 60647 |
| 12327 | FREEWAY CORPORATION | P O BOX 867, 1757 STANFORD ST. | SANTA MONICA, CA 90406 |
| 12360 | ALBANY PRODUCTS CO., DIV. OF PNEUMO DYNAMICS CORPORATION | 9301 ALLEN DRIVE | CLEVELAND, OH 44125 |
| 13103 | THERMALLOY COMPANY, INC. | | |
| 13257 | AMERACE, LTD. | 145 WOODWARD AVENUE | SOUTH NORWALK, CT 06586 |
| 16428 | BELDEN CORP. | 2021 W VALLEY VIEW LANE | |
| 16733 | CABLEWAVE SYSTEMS INC. | P O BOX 34829 | DALLAS, TX 75234 |
| 22526 | BERG ELECTRONICS, INC. | 10 ESNA PARK DRIVE | MARKHAM, ONTARIO, CANADA |
| 22599 | ESNA, DIV. OF AMERACE CORPORATION | P. O. BOX 1331 | RICHMOND, IN 47374 |
| 23050 | PRODUCT COMPONENTS CORP | 60 DODGE AVE. | NORTH HAVEN, CT 60473 |
| 24931 | SPECIALITY CONNECTOR CO., INC. | YOUK EXPRESSWAY | NEW CUMBERLAND, PA 17070 |
| 26365 | GRIES REPRODUCER CO., DIV. OF COATS AND CLARK, INC. | 16150 STAGG STREET | VAN NUYS, CA 91409 |
| 27264 | MOLEX PRODUCTS CO. | 30 LORRAINE AVE. | MT VERNON, NY 10553 |
| 28817 | CAL-METEX CORP., SUBSIDIARY OF METEX CORP. | 2620 ENDRESS PLACE | GREENWOOD, IN 46142 |
| 29587 | BUNKER-RAMO CORP., AMPHENOL INDUSTRIAL DIV. | | |
| 31781 | EDAC INC. | 125 BEECHWOOD AVE. | NEW ROCHELLE, NY 10802 |
| 49671 | RCA CORPORATION | 5224 KATRINE AVE. | DOWNERS GROVE, IL 60515 |
| 52905 | SIMPLEX MFG. COMPANY | | |
| 52961 | PRODUCTS SERVICES CO. | 509 HINDRY AVE. | INGLEWOOD, CA 90301 |
| 56352 | COLE-FLEX CORP. | | |
| 56878 | STANDARD PRESSED STEEL COMPANY | 1830 S. 54TH AVE. | CHICAGO, IL 60650 |
| 57771 | STIMPSON, EDWIN B., CO. INC. | 20 RAILSIDE RD. | DON MILLS, ONT. CANADA M3A 1 |
| 61864 | TRW INC., UNITED-CARR DIV. | 30 ROCKEFELLER PLAZA | NEW YORK, NY 10020 |
| 70276 | ALLEN MFG. CO. | 5224 NE 42ND AVENUE | PORTLAND, OREGON 97218 |
| 70485 | ATLANTIC INDIA RUBBER WORKS, INC. | 86365 COLLEGE VIEW RD. | EUGENE, OR 97405 |
| 71279 | CAMBRIDGE THERMIONIC CORP. | 91 CABOT ST. | WEST BABYLON, NY 11704 |
| 71400 | BUSSMAN MFG., DIVISION OF MCGRAW-EDISON CO. | BENSON EAST | JENKINTOWN, PA 19046 |
| 71468 | ITT CANNON ELECTRIC | 900 SYLVAN AVENUE | BAYPORT, NY 11705 |
| 73743 | FISCHER SPECIAL MFG. CO. | 31 BURLINGTON MALL RD. | BURLINGTON, MA 01803 |
| 73803 | TEXAS INSTRUMENTS, INC., METALLURGICAL MATERIALS DIV. | P. O. DRAWER 570 | HARTFORD, CT 06101 |
| 74445 | HOLO-KROME CO. | 571 W. POLK ST. | CHICAGO, IL 60607 |
| 74868 | BUNKER-RAMO CORP., THE AMPHENOL RF DIV. | 445 CONCORD AVE. | CAMBRIDGE, MA 02138 |
| 74970 | JOHNSON, E. F., CO. | | |
| 75497 | LAMSON AND SESSIONS CO. | 2536 W. UNIVERSITY ST. | ST. LOUIS, MO 63107 |
| 75915 | LITTELFUSE, INC. | 666 E. DYER RD. | SANTA ANA, CA 92702 |
| 76854 | OAK INDUSTRIES, INC., SWITCH DIV. | 446 MORGAN ST. | CINCINNATI, OH 45206 |
| 77132 | DOT FASTENER CO., A UNITED-CARR DIV. OF TRW INC. | | |
| 77250 | PHEOLL MANUFACTURING CO., DIVISION OF ALLIED PRODUCTS CORP. | 34 FOREST STREET | ATTLEBORO, MA 02703 |
| 78189 | ILLINOIS TOOL WORKS, INC. SHAKEPROOF DIVISION | 31 BROOK ST. WEST | HARTFORD, CT 06110 |
| 79136 | WALDES, KOHINOOR, INC. | 33 E. FRANKLIN ST. | DANBURY, CT 06810 |
| 79807 | WROUGHT WASHER MFG. CO. | 299 10TH AVE. S. W. | WASECA, MN 56093 |
| 80009 | TEKTRONIX, INC. | 5000 TIEDEMAN ROAD | CLEVELAND, OH 44144 |
| 81041 | HOWARD INDUSTRIES, DIVISION OF MSL | 800 E. NORTHWEST HWY | DES PLAINES, IL 60016 |
| | | S. MAIN ST. | CRYSTAL LAKE, IL 60014 |
| | | ROUND HOUSE INDL PK, PO BOX 710 | WATERBURY, CT 06720 |
| | | | |
| | | 5700 W. ROOSEVELT RD. | CHICAGO, IL 60650 |
| | | | |
| | | ST. CHARLES ROAD | ELGIN, IL 60120 |
| | | 47-16 AUSTEL PLACE | LONG ISLAND CITY, NY 11101 |
| | | 2100 S. O BAY ST. | MILWAUKEE, WI 53207 |
| | | P O BOX 500 | BEAVERTON, OR 97077 |

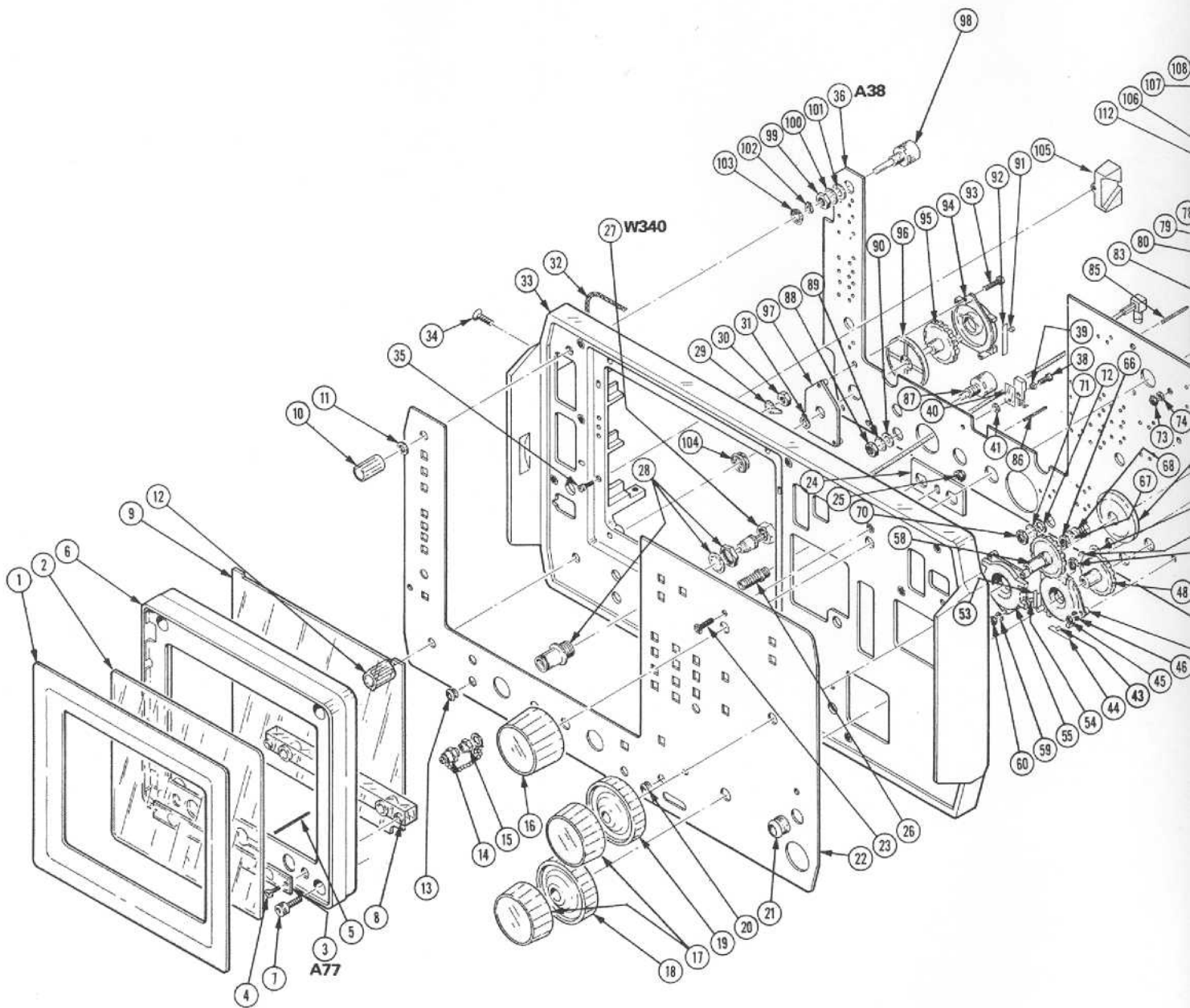
CROSS INDEX—MFR. CODE NUMBER TO MANUFACTURER

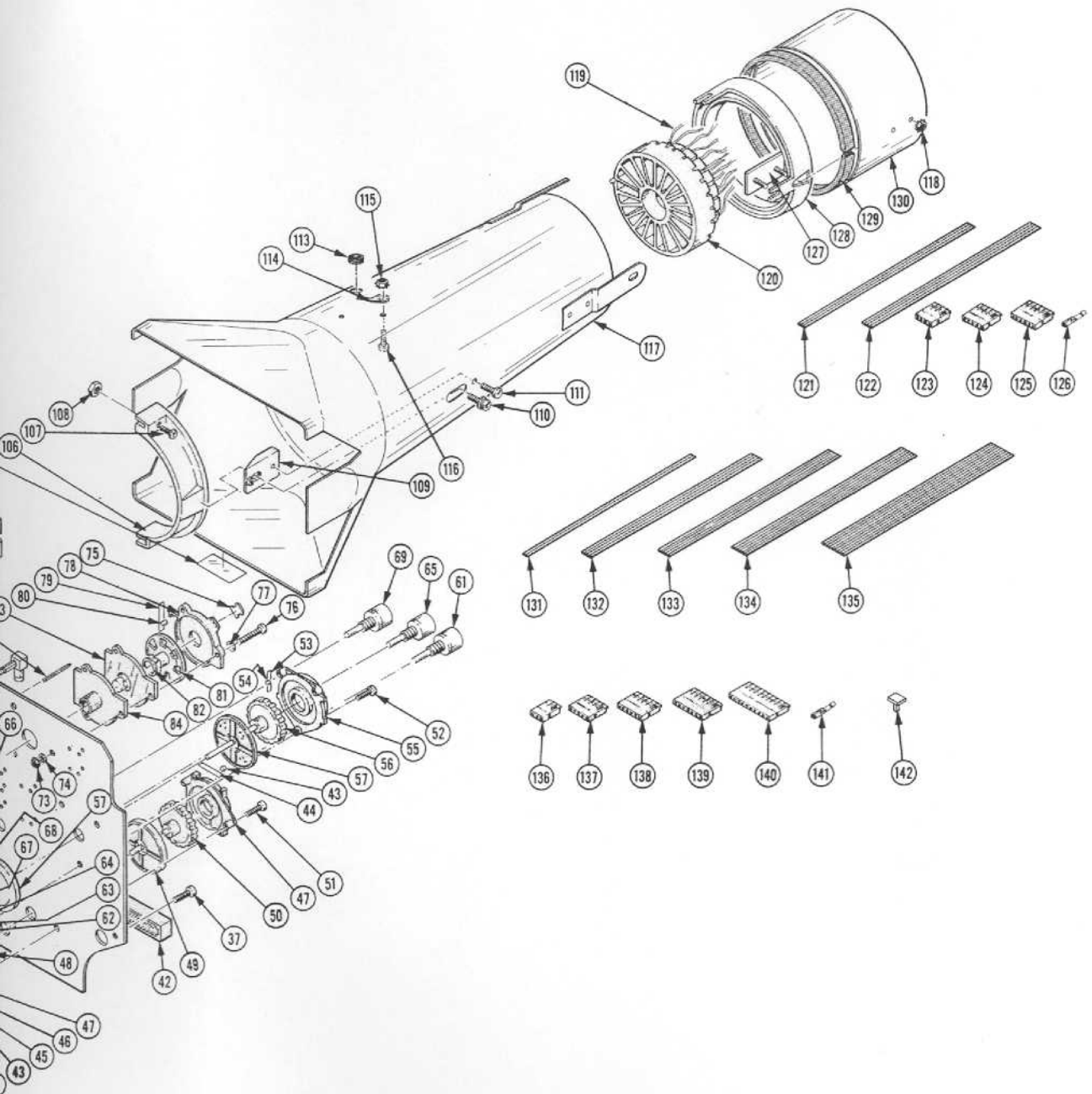
| Mfr. Code | Manufacturer | Address | City, State, Zip |
|-----------|--|----------------------------------|-----------------------|
| 81312 | INDUSTRIES, INC. WINCHESTER ELECTRONICS DIVISION LITTON INDUSTRIES, INC. | P O BOX 287 | MILFORD, IL 60953 |
| 83385 | CENTRAL SCREW CO. | MAIN ST. AND HILLSIDE AVE. | OAKVILLE, CT 06779 |
| 83486 | ELCO INDUSTRIES, INC. | 2530 CRESCENT DR. | BROADVIEW, IL 60153 |
| 83553 | ASSOCIATED SPRING CORP., SEABOARD DIV. | 1103 SAMUELSON ROAD | ROCKFORD, IL 61101 |
| 85471 | BOYD, A. B., CO. | 15001 S BROADWAY, P O BOX 231 | GARDENA, CA 90248 |
| 86928 | SEASTROM MFG. COMPANY, INC. | 2527 GRANT AVENUE | SAN LEANDRO, CA 94579 |
| 87308 | N. L. INDUSTRIES, INC., SOUTHERN SCREW DIV. | 701 SONORA AVENUE | GLENDALE, CA 91201 |
| 91506 | AUGAT, INC. | P. O. BOX 1360 | STATESVILLE, NC 28677 |
| 91836 | KINGS ELECTRONICS CO., INC. | 33 PERRY AVE. | ATTLEBORO, MA 02703 |
| 93907 | TEXTRON INC. CAMCAR DIV | 40 MARBLEDALE ROAD | TUCKAHOE, NY 10707 |
| 94222 | SOUTHCO, INC. | 600 18TH AVE | ROCKFORD, IL 61101 |
| 95238 | CONTINENTAL CONNECTOR CORP. | 34-63 56TH ST. | LESTER, PA 19113 |
| 95987 | WECKESSER CO., INC. | 4444 WEST IRVING PARK RD. | WOODSIDE, NY 11377 |
| 96904 | NATVAR CORP. | 211 RANDOLPH AVE. | CHICAGO, IL 60641 |
| 98159 | RUBBER TECK, INC. | 19115 HAMILTON AVE., P O BOX 389 | WOODBIDGE, NJ 07095 |
| 98291 | SEAELECTRO CORP. | 225 HOYT | GARDENA, CA 90247 |
| S3109 | C/O PANEL COMPONENTS CORP. | P.O. BOX 6626 | MAMARONECK, NY 10544 |
| S3629 | PANEL COMPONENTS CORP. | 2015 SECOND ST. | SANTA ROSA, CA 95406 |
| | | | BERKELEY, CA 94170 |

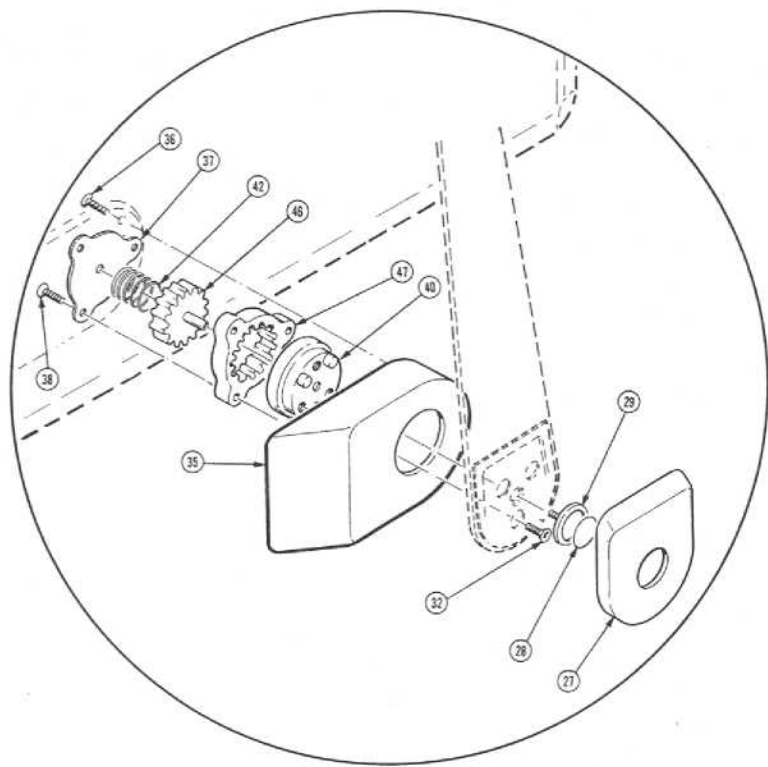
Replaceable Mechanical Parts—496/496P Service Vol.2

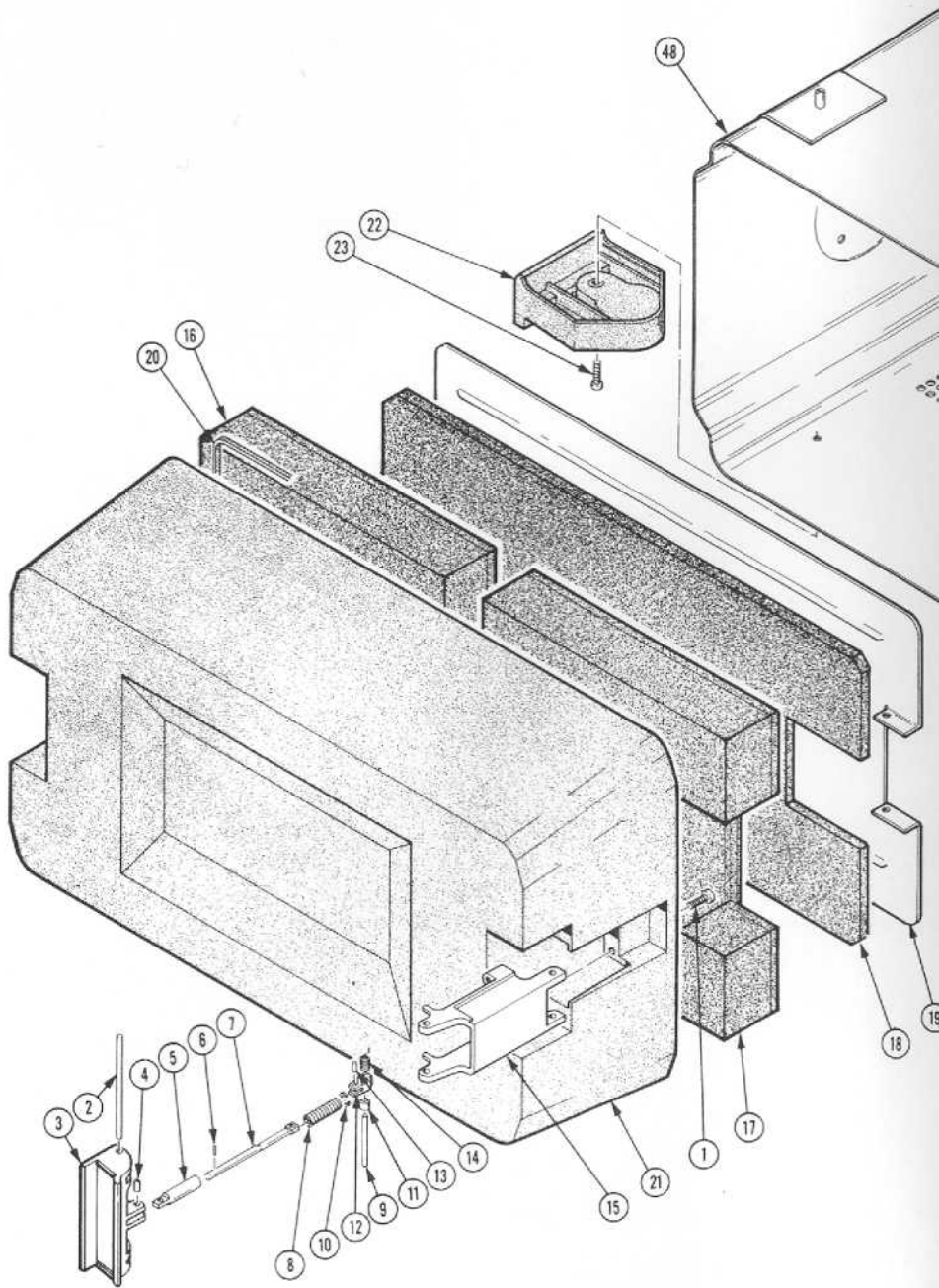
| Fig. & Index No. | Tektronix Part No. | Serial/Model No. Eff | Dscont | Qty | 1 | 2 | 3 | 4 | 5 | Name & Description | Mfr Code | Mfr Part Number |
|------------------|--------------------|----------------------|---------|-----|---|---|---|---|---|--|----------|-----------------|
| 1- | 650-0568-00 | | | 1 | | | | | | FRONT COVER AS: | 80009 | 650-0568-00 |
| | 105-0684-01 | | | 1 | | | | | | .LATCH ASSEMBLY: | 80009 | 105-0684-01 |
| | | | | | | | | | |(ATTACHING PARTS)..... | | |
| -1 | 211-0507-01 | | | 4 | | | | | | .SCREW,MACHINE:6-32 X 0.312 INCH,PNH STL | 83385 | OBD |
| | | | | | | | | | |(END ATTACHING PARTS)..... | | |
| | ----- | | | - | | | | | | .LATCH ASSY INCLUDES: | | |
| -2 | 214-2350-00 | | | 1 | | | | | | ..PIN,STR,HDL:0.125 DIA X 2.0 INCH LONG | 000BK | OBD |
| -3 | 367-0212-01 | | | 1 | | | | | | ..HANDLE,LATCH:MOLDING | 80009 | 367-0212-01 |
| -4 | 214-2357-00 | | | 1 | | | | | | ..PIN,SPRING:0.375" L X 0.125 OD,STL | 22599 | 52-028-125-0375 |
| -5 | 351-0463-01 | | | 1 | | | | | | ..GUIDE,SHAFT:STEEL | 80009 | 351-0463-01 |
| -6 | 214-1721-00 | | | 1 | | | | | | ..PIN,SPRING:0.375 X 0.069 | 22599 | 52-012-062-0375 |
| -7 | 384-1385-00 | | | 1 | | | | | | ..EXTENSION SHAFT:2.274" L X 0.188 OD,STL | 80009 | 384-1385-00 |
| -8 | 214-2352-00 | | | 1 | | | | | | ..SPRING,HLCPS:1.0" L X 0.24" OD,MUSIC WIR | 83553 | C0240-042-100M |
| -9 | 214-2349-00 | | | 1 | | | | | | ..PIN,STR,HDL:0.125 DIA X 1.0 INCH LONG,S | 000BK | OBD |
| -10 | 354-0324-00 | | | 1 | | | | | | ..RING,RETAINING:E SHAPE,0.102 ID X 0.270 | 79136 | 5133-14-MD |
| -11 | 361-0762-00 | | | 1 | | | | | | ..SPACER,SLEEVE:0.128 ID X 0.15" L,BRASS | 80009 | 361-0762-00 |
| -12 | 105-0686-00 | | | 1 | | | | | | ..LATCH,COVER: | 80009 | 105-0686-00 |
| -13 | 214-2351-00 | | | 1 | | | | | | ..PIN,SPRING:0.375" L X 0.101" OD,STL | 22599 | 52-022-094-0375 |
| -14 | 214-2345-00 | | | 1 | | | | | | ..SPR,HLC,TRSN:0.665 INCH L X 0.245 OD,SS | 80009 | 214-2345-00 |
| -15 | 426-1271-02 | | | 2 | | | | | | ..FRAME,LATCH: | 80009 | 426-1271-02 |
| -16 | 377-0506-00 | | | 1 | | | | | | .INSERT,COVER:ASSY,LATCH SIDE,FOAM | 80009 | 377-0506-00 |
| -17 | 377-0507-00 | | | 1 | | | | | | .INSERT,COVER:ASSY,HINGE SIDE,FOAM | 80009 | 377-0507-00 |
| -18 | 348-0628-00 | | | 1 | | | | | | .PAD,CUSHIONING:11.25 X 6.0 X 0.25,FOAM | 80009 | 348-0628-00 |
| -19 | 200-2228-00 | | | 1 | | | | | | .DOOR,ACCESS:FRONT COVER | 80009 | 200-2228-00 |
| -20 | 348-0524-00 | | | 1 | | | | | | .GASKET:FRONT PANEL,SILICONE,W/PSA | 85471 | OBD |
| -21 | 200-2218-01 | | | 1 | | | | | | .COVER,FRONT:PLASTIC,PAINTED | 80009 | 200-2218-01 |
| | 437-0253-00 | B010100 | B010279 | 1 | | | | | | CABINET,SA: | 80009 | 437-0253-00 |
| | 437-0253-01 | B010280 | | 1 | | | | | | CABINET ASSY: | 80009 | 437-0253-01 |
| -22 | 348-0585-00 | | | 4 | | | | | | .FOOT,CABINET:BLUE PLASTIC | 80009 | 348-0585-00 |
| | | | | | | | | | |(ATTACHING PARTS)..... | | |
| -23 | 211-0674-00 | | | 4 | | | | | | .SCREW,MACHINE:6-32 X 0.32 INCH,THRUS HD | 83486 | OBD |
| | | | | | | | | | |(END ATTACHING PARTS)..... | | |
| -24 | 348-0587-00 | | | 4 | | | | | | .FOOT,CABINET:BLUE PLASTIC | 80009 | 348-0587-00 |
| | | | | | | | | | |(ATTACHING PARTS)..... | | |
| -25 | 211-0674-00 | | | 4 | | | | | | .SCREW,MACHINE:6-32 X 0.32 INCH,THRUS HD | 83486 | OBD |
| | | | | | | | | | |(END ATTACHING PARTS)..... | | |
| -26 | 200-2324-00 | B010100 | B010279 | 2 | | | | | | .CAP HANDLE:PLASTIC | 80009 | 200-2324-00 |
| -27 | 200-2622-00 | B010280 | | 2 | | | | | | .CAP,HANDLE:ALUMINUM | 80009 | 200-2622-00 |
| -28 | 334-4661-00 | B010280 | | 2 | | | | | | .MARKER,IDENT:MKD PUSH | 80009 | 334-4661-00 |
| -29 | 214-3199-00 | B010280 | | 2 | | | | | | .BUTTON,RELEASE:ALUMINUM | 80009 | 214-3199-00 |
| -30 | 367-0246-02 | B010100 | B010279 | 1 | | | | | | .HANDLE,CARRYING:14.3 INCH | 80009 | 367-0246-02 |
| | 367-0306-01 | B010280 | | 1 | | | | | | .HANDLE,CARRYING:MOLDED W/PLASTIC | 80009 | 367-0306-01 |
| | | | | | | | | | |(ATTACHING PARTS)..... | | |
| -31 | 212-0637-00 | B010100 | B010279 | 2 | | | | | | .SCREW,MACHINE:10-24 X 0.625 INCH,HEX HD | 02615 | OBD |
| -32 | 212-0560-00 | B010280 | | 6 | | | | | | .SCREW,MACHINE:10-32 X 0.312 INCH,FLH STL | 75497 | OBD |
| | | | | | | | | | |(END ATTACHING PARTS)..... | | |
| | ----- | | | - | | | | | | .HANDLE ASSY INCLUDES: | | |
| -33 | 348-0644-00 | B010100 | B010279 | 2 | | | | | | .BUMPER,RUBBER:VINYL ELASTOMER,BLACK | 80009 | 348-0644-00 |
| -34 | 214-2782-00 | B010100 | B010279 | 2 | | | | | | .INDEX,HANDLE: | 80009 | 214-2782-00 |
| -35 | 380-0668-00 | B010280 | | 2 | | | | | | .HOUSING,INDEX:POLYAMIDE | 80009 | 380-0668-00 |
| | | | | | | | | | |(ATTACHING PARTS)..... | | |
| -36 | 213-0858-00 | | | 8 | | | | | | .SCREW,TPG,TF:6-32 X 0.5 INCH,100 DEG | 93907 | OBD |
| | | | | | | | | | |(END ATTACHING PARTS)..... | | |
| -37 | 200-2694-00 | B010280 | | 2 | | | | | | .COVER,INDEX:ALUMINUM | 80009 | 200-2694-00 |
| | | | | | | | | | |(ATTACHING PARTS)..... | | |
| -38 | 213-0918-00 | B010280 | | 6 | | | | | | .SCREW,TPG,TR:8-32 X 0.625,FLH,82 DEG,P0Z | 93907 | OBD |
| | | | | | | | | | |(END ATTACHING PARTS)..... | | |
| -39 | 214-0515-02 | B010100 | B010279 | 2 | | | | | | .HUB,HDL INDEX:1.42 DIA X 0.565 THK,AL CD | 80009 | 214-0515-02 |
| -40 | 214-3198-00 | B010280 | | 2 | | | | | | .INDEX,HANDLE:ALUMINUM | 80009 | 214-3198-00 |
| -41 | 214-3024-00 | B010100 | B010279 | 2 | | | | | | .SPRING,HLCPS:0.96 OD X 1.35 | 80009 | 214-3024-00 |
| -42 | 214-3200-00 | B010280 | | 2 | | | | | | .SPRING,HLCPS:0.798 OD X 1.1 L,CLOSED END | 80009 | 214-3200-00 |
| -43 | 348-0589-00 | | | 2 | | | | | | .FOOT,CABINET:BLUE PLASTIC | 80009 | 348-0589-00 |
| | | | | | | | | | |(ATTACHING PARTS)..... | | |
| -44 | 212-0630-01 | | | 4 | | | | | | .SCREW,SPCL MACH:10-24 X 1.55 L,FLH 45 DEG | 80009 | 212-0630-01 |
| -45 | 211-0513-00 | | | 4 | | | | | | .SCREW,MACHINE:6-32 X 0.625 INCH,PNH STL | 83385 | OBD |
| | | | | | | | | | |(END ATTACHING PARTS)..... | | |

| Fig. & Index No. | Tektronix Part No. | Serial/Model No. | | Qty | | | | | | Name & Description | Mfr Code | Mfr Part Number |
|------------------------|-----------------------|------------------|---------|-----|---|---|---|---|---|---------------------------|-------------|-----------------|
| | | Eff | Dscont | | 1 | 2 | 3 | 4 | 5 | | | |
| 1-46 | 105-0893-00 | B010280 | | 2 | | | | | | .INDEX RLSE,HDL:ALUMINUM | 80009 | 105-0893-00 |
| -47 | 105-0894-00 | B010280 | | 2 | | | | | | .INDEX STOP,HDL:POLYAMIDE | 80009 | 105-0894-00 |
| -48 | 437-0232-01 | B010100 | B010255 | 1 | | | | | | .CABINET,SA: | 80009 | 437-0232-01 |
| | 437-0232-02 | B010256 | B010499 | 1 | | | | | | .CABINET,SA: | 80009 | 437-0232-02 |
| | 437-0232-03 | B010500 | | 1 | | | | | | .CABINET,SA: | 80009 | 437-0232-03 |



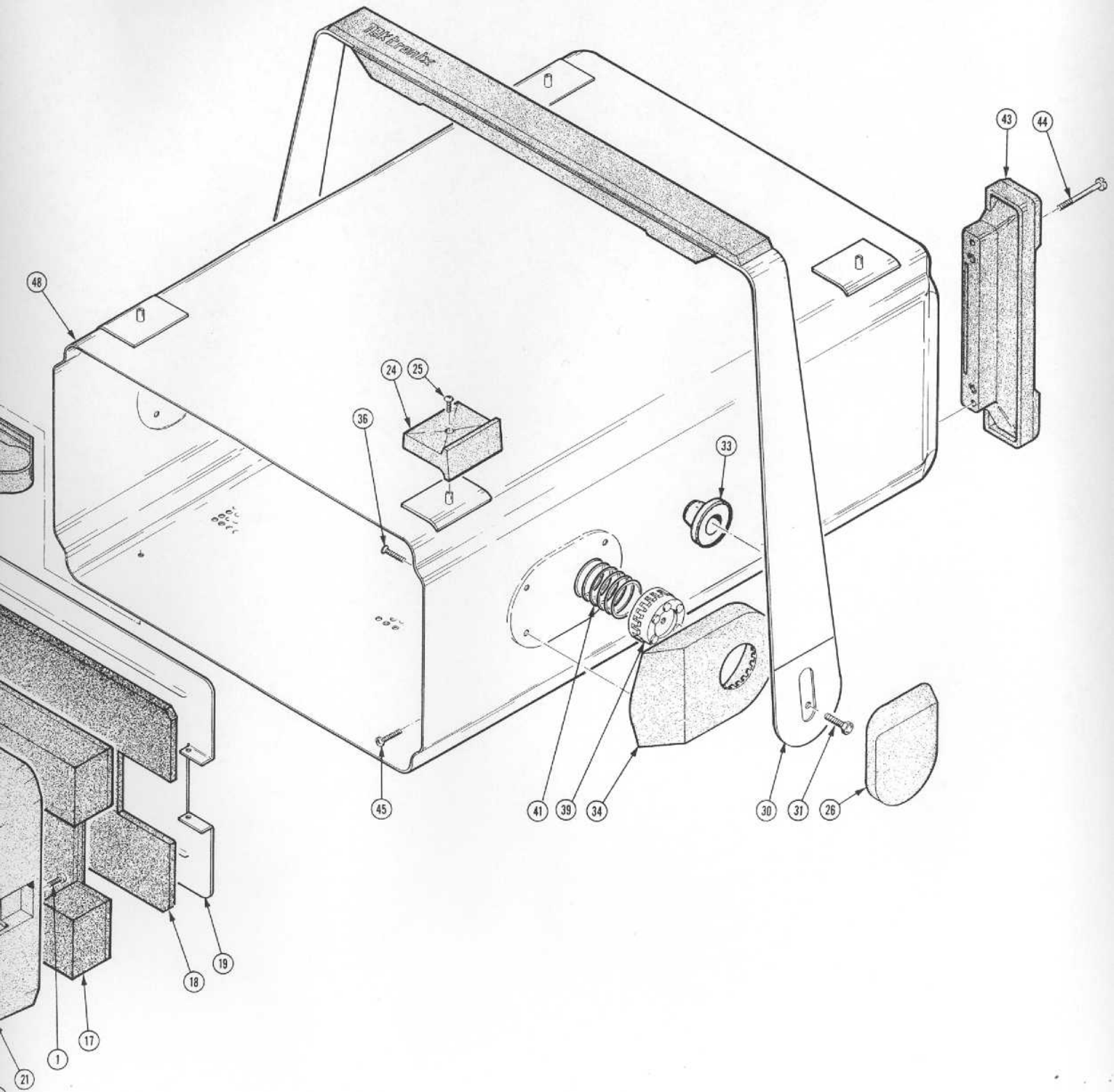






311

REV JUL 1982



312

| Fig. & Index No. | Tektronix Part No. | Serial/Model No. | | Qty | 1 | 2 | 3 | 4 | 5 | Name & Description | Mfr Code | Mfr Part Number |
|------------------|--------------------|------------------|--------|-----|---|---|---|---|---|--|----------|-----------------|
| | | Eff | Dscont | | | | | | | | | |
| 2-1 | 426-1523-02 | | | 1 | | | | | | FRAME,MASK:5.0 CRT,SILVER GRAY,PLASTIC | 80009 | 426-1523-02 |
| -2 | 378-0115-00 | | | 1 | | | | | | FILTER,LT,CRT:BLUE,4.176 X 3.418,PLSTC | 80009 | 378-0115-00 |
| -3 | ----- | | | 1 | | | | | | CKT BOARD ASSY:CRT GRATICULE LIGHT (SEE A77 REPL) | | |
| | | | | - | | | | | | ***** (ATTACHING PARTS) ***** | | |
| -4 | 213-0772-00 | | | 2 | | | | | | SCREW,TPG,TF:2-56 X 0.5,PLASTITE,PNH,STL | 93907 | OBD |
| | | | | - | | | | | | ***** (END ATTACHING PARTS) ***** | | |
| | | | | - | | | | | | CKT BOARD ASSY INCLUDES: | | |
| -5 | 131-0592-00 | | | 2 | | | | | | .CONTACT,ELEC:0.885 INCH LONG | 22526 | 47353 |
| -6 | 200-2216-01 | | | 1 | | | | | | RTNR,CRT SCALE:5.0 CRT | 80009 | 200-2216-01 |
| | | | | - | | | | | | ***** (ATTACHING PARTS) ***** | | |
| -7 | 212-0128-00 | | | 4 | | | | | | SCREW,CAP,SCH:8-32 X 0.50 INCH STL | 70276 | OBD |
| | | | | - | | | | | | ***** (END ATTACHING PARTS) ***** | | |
| -8 | 378-0877-00 | | | 1 | | | | | | REFLECTOR,LIGHT:PLASTIC | 80009 | 378-0877-00 |
| -9 | 337-2577-00 | | | 1 | | | | | | SHLD,IMPLOSION:CLEAR,4.0 CRT,PLASTIC | 80009 | 337-2577-00 |
| -10 | 366-1786-01 | | | 3 | | | | | | SHELL,KNOB:0.375 OD X 0.55 H,ABS | 80009 | 366-1786-01 |
| -11 | 210-1160-00 | | | 6 | | | | | | .WASHER,FLAT:0.129 ID X 0.031 THK,TEFLON | 86928 | 5612-32-31 |
| | 213-0140-00 | | | 6 | | | | | | .SETSCREW:2-56 X 0.94 INCH,HEX SOC ST | 70276 | OBD |
| -12 | 366-1781-00 | | | 1 | | | | | | SHELL,KNOB:0.587 OD X 0.625 H,PLASTIC | 80009 | 366-1781-00 |
| | 213-0140-00 | | | 2 | | | | | | .SETSCREW:2-56 X 0.94 INCH,HEX SOC ST | 70276 | OBD |
| -13 | 358-0301-01 | | | 1 | | | | | | BUSHING,SLEEVE:GRAY,MOLDED | 80009 | 358-0301-01 |
| -14 | ----- | | | 2 | | | | | | TERMN,COAXIAL:(SEE P901,P902 REPL) | | |
| | | | | - | | | | | | ***** (ATTACHING PARTS) ***** | | |
| -15 | 220-0531-02 | | | 2 | | | | | | NUT,PLAIN,HEX.:0.25-36 X 0.312 INCH,STL | 80009 | 220-0531-02 |
| | | | | - | | | | | | ***** (END ATTACHING PARTS) ***** | | |
| -16 | 366-1782-00 | | | 1 | | | | | | SHELL,KNOB:1.125 OD X 0.65 H,ABS | 80009 | 366-1782-00 |
| | 213-0243-00 | | | 2 | | | | | | .SETSCREW:5-40 X 0.25 INCH,HEX SOC ST | 70276 | OBD |
| -17 | 366-1780-00 | | | 2 | | | | | | SHELL,KNOB:1.375 OD X 0.375 H,PLASTIC | 80009 | 366-1780-00 |
| | 213-0243-00 | | | 4 | | | | | | .SETSCREW:5-40 X 0.25 INCH,HEX SOC ST | 70276 | OBD |
| -18 | 366-1779-01 | | | 1 | | | | | | SHELL,KNOB:1.1 OD X 0.5 H,PLASTIC | 80009 | 366-1779-01 |
| | 213-0153-00 | | | 1 | | | | | | SETSCREW:5-40 X 0.125,STL BK OXD,HEX | 000CY | OBD |
| -19 | 366-1779-00 | | | 1 | | | | | | SHELL,KNOB:1.1 OD X 0.5 H,PLASTIC | 80009 | 366-1779-00 |
| | 213-0153-00 | | | 1 | | | | | | .SETSCREW:5-40 X 0.125,STL BK OXD,HEX | 000CY | OBD |
| -20 | 358-0301-02 | | | 2 | | | | | | BUSHING,SLEEVE:GRAY PLASTIC | 80009 | 358-0301-02 |
| -21 | 358-0216-00 | | | 1 | | | | | | BUSHING,PLASTIC:0.257 ID X 0.412 INCH OD | 80009 | 358-0216-00 |
| -22 | 333-2731-03 | | | 1 | | | | | | PANEL,FRONT: | 80009 | 333-2731-03 |
| | | | | - | | | | | | ***** (ATTACHING PARTS) ***** | | |
| -23 | 211-0087-01 | | | 1 | | | | | | SCREW,MACHINE:2-56 X 0.188,FLH 82 DEG,STL | 83385 | OBD |
| | | | | - | | | | | | ***** (END ATTACHING PARTS) ***** | | |
| -24 | 386-3969-00 | | | 1 | | | | | | PLATE,CONN MTG:ANTI ROTATION | 80009 | 386-3969-00 |
| | | | | - | | | | | | ***** (ATTACHING PARTS) ***** | | |
| -25 | 210-0589-00 | | | 1 | | | | | | NUT,SELF LKG HE:4-40 X 0.250 INCH | 13257 | 22 NM-40 |
| | | | | - | | | | | | ***** (END ATTACHING PARTS) ***** | | |
| -26 | 131-2343-00 | | | 2 | | | | | | CONN,RCPT,ELEC:SMA,DOUBLE FEMALE | 16733 | 705628-014 |
| -27 | ----- | | | 1 | | | | | | CABLE ASSY,RF:(SEE W340 REPL) | | |
| -28 | 131-0818-00 | | | 1 | | | | | | .CONNECTOR,RCPT,:BNC,FEMALE | 91836 | KC-19-153 |
| -29 | 210-0201-00 | | | 1 | | | | | | TERMINAL,LUG:0.12 ID,LOCKING,BRZ TIN PL | 86928 | OBD |
| | | | | - | | | | | | ***** (ATTACHING PARTS) ***** | | |
| -30 | 210-0586-00 | | | 1 | | | | | | NUT,PL,ASSEM WA:4-40 X 0.25,STL | 83385 | OBD |
| | | | | - | | | | | | ***** (END ATTACHING PARTS) ***** | | |
| -31 | 354-0177-00 | | | 3 | | | | | | RING,RETAINING:FOR 0.250 INCH DIA SHAFT | 79136 | 5100-25MF |
| -32 | 337-0925-04 | | | 1 | | | | | | SHLD GSKT,ELEK:37.0 INCH LONG | 80009 | 337-0925-04 |
| -33 | 386-3845-05 | | | 1 | | | | | | SUBPANEL,FRONT: | 80009 | 386-3845-05 |
| | | | | - | | | | | | ***** (ATTACHING PARTS) ***** | | |
| -34 | 212-0642-00 | | | 4 | | | | | | SCREW,MACHINE:10-32 X 0.375",100 DEG,FLH | 93907 | OBD |
| -35 | 211-0576-00 | | | 4 | | | | | | SCREW,CAP:6-32 X 0.875,SCH,STL,CD PL | 56878 | OBD |
| | | | | - | | | | | | ***** (END ATTACHING PARTS) ***** | | |
| -36 | ----- | | | 1 | | | | | | CKT BOARD ASSY:FRONT PANEL(SEE A38 REPL) | | |
| | | | | - | | | | | | ***** (ATTACHING PARTS) ***** | | |
| -37 | 211-0121-00 | | | 11 | | | | | | SCR,ASSEM WSHR:4-40 X 0.438 INCH,PNH BRS | 83385 | OBD |
| -38 | 211-0008-01 | | | 1 | | | | | | SCREW,MACHINE:4-40 X 0.250,PNH,STL,CD PL | 83385 | OBD |
| -39 | 210-1178-00 | | | 1 | | | | | | WASHER,SHLDR:U/W T0-220 TRANSISTOR | 49671 | DF137A |
| -40 | 342-0163-00 | | | 1 | | | | | | INSULATOR,PLATE:XSTR,0.675 X 0.625 X 0.001 | 80009 | 342-0163-00 |
| -41 | 210-0851-00 | | | 1 | | | | | | WASHER,FLAT:0.119 ID X 0.375 INCH OD,ST | 12327 | OBD |
| | | | | - | | | | | | ***** (END ATTACHING PARTS) ***** | | |

| Fig. & Index No. | Tektronix Part No. | Serial/Model No. | | Qty | 1 | 2 | 3 | 4 | 5 | Name & Description | Mfr Code | Mfr Part Number |
|------------------|--------------------|------------------|--------|-----|---|---|---|---|---|---|----------|------------------|
| | | Eff | Dscont | | | | | | | | | |
| 2- | ----- | | | - | | | | | | CKT BOARD ASSY INCLUDES: | | |
| -42 | 131-1229-00 | | | 1 | | | | | | ..CONNECTOR,RCPT:22/44 CONTACT | 95238 | 600-120-5Y25A |
| | ----- | | | - | | | | | | ..SW ROTARY ASSY:(SEE A38S6035 REPL) | | |
| -43 | 214-1127-00 | | | 4 | | | | | | ..ROLLER,DETENT:0.125 DIA X 0.125,SST | 80009 | 214-1127-00 |
| -44 | 214-1126-01 | | | 4 | | | | | | ..SPRING,FLAT:0.7 X 0.125,CU BE GRN CLR | 80009 | 214-1126-01 |
| -45 | 210-0405-00 | | | 3 | | | | | | ..NUT,PLAIN,HEX.:2-56 X 0.188 INCH,BRS | 73743 | 12157-50 |
| -46 | 210-0053-00 | | | 3 | | | | | | ..WASHER,LOCK:INTL,0.092 ID X 0.175"OD,S | 83385 | OBD |
| -47 | 401-0340-01 | | | 2 | | | | | | ..BEARING,RTRY SW:FRONT,0.375 DIA | 80009 | 401-0340-01 |
| -48 | 384-1462-04 | | | 1 | | | | | | ..SHAFT,ROTARY SW:W/DETENT,18/7 POSN | 80009 | 384-1462-04 |
| -49 | 352-0457-21 | | | 1 | | | | | | ..HOLDER,CONTACT:PANCAKE SW,4 CONTACT | 80009 | 352-0457-21 |
| | 352-0457-25 | | | 1 | | | | | | ..HOLDER,CONTACT:1 CONTACT,GRAY PLASTIC | 80009 | 352-0457-25 |
| -50 | 384-1462-01 | | | 1 | | | | | | ..SHAFT,ROTARY SW:W/DETENT,24 POSN | 80009 | 384-1462-01 |
| -51 | 211-0034-00 | | | 3 | | | | | | ..SCREW,MACHINE:2-56 X 0.50 INCH,PNH | 80009 | 384-1462-01 |
| | ----- | | | 1 | | | | | | ..SW ROTARY ASSY:(SEE A38S3020 REPL) | 83385 | OBD |
| -52 | 211-0034-00 | | | 3 | | | | | | ..SCREW,MACHINE:2-56 X 0.50 INCH,PNH | 83385 | OBD |
| -53 | 214-1126-01 | | | 4 | | | | | | ..SPRING,FLAT:0.7 X 0.125,CU BE GRN CLR | 80009 | 214-1126-01 |
| -54 | 214-1127-00 | | | 4 | | | | | | ..ROLLER,DETENT:0.125 DIA X 0.125,SST | 80009 | 214-1127-00 |
| -55 | 401-0340-01 | | | 2 | | | | | | ..BEARING,RTRY SW:FRONT,0.375 DIA | 80009 | 401-0340-01 |
| -56 | 384-1463-01 | | | 1 | | | | | | ..EXTENSION SHAFT:W/DETENT,7 POSN,16 STOPS | 80009 | 384-1463-01 |
| -57 | 352-0457-21 | | | 2 | | | | | | ..HOLDER,CONTACT:PANCAKE SW,4 CONTACT | 80009 | 352-0457-21 |
| -58 | 384-1462-01 | | | 1 | | | | | | ..SHAFT,ROTARY SW:W/DETENT,24 POSN | 80009 | 384-1462-01 |
| -59 | 210-0053-00 | | | 3 | | | | | | ..WASHER,LOCK:INTL,0.092 ID X 0.175"OD,S | 83385 | OBD |
| -60 | 210-0405-00 | | | 3 | | | | | | ..NUT,PLAIN,HEX.:2-56 X 0.188 INCH,BRS | 73743 | 12157-50 |
| -61 | ----- | | | 1 | | | | | | ..RESISTOR,VAR:(SEE A38R6049 REPL) | | |
| | ----- | | | 1 | | | | | |(ATTACHING PARTS)..... | | |
| -62 | 210-0583-00 | | | 1 | | | | | | ..NUT,PLAIN,HEX:0.25-32 X 0.312 INCH,BRS | 73743 | 2X20317-402 |
| -63 | 210-0046-00 | | | 1 | | | | | | ..WASHER,LOCK:0.261 ID,INTL,0.018 THK,BRS | 78189 | 1214-05-00-0541C |
| -64 | 210-0940-00 | | | 1 | | | | | | ..WASHER,FLAT:0.25 ID X 0.375 INCH OD,STL | 79807 | OBD |
| | ----- | | | 1 | | | | | |(END ATTACHING PARTS)..... | | |
| -65 | ----- | | | 1 | | | | | | ..RESISTOR,VAR:(SEE A38R6051 REPL) | | |
| | ----- | | | 1 | | | | | |(ATTACHING PARTS)..... | | |
| -66 | 210-0583-00 | | | 1 | | | | | | ..NUT,PLAIN,HEX:0.25-32 X 0.312 INCH,BRS | 73743 | 2X20317-402 |
| -67 | 210-0046-00 | | | 1 | | | | | | ..WASHER,LOCK:0.261 ID,INTL,0.018 THK,BRS | 78189 | 1214-05-00-0541C |
| -68 | 210-0940-00 | | | 1 | | | | | | ..WASHER,FLAT:0.25 ID X 0.375 INCH OD,STL | 79807 | OBD |
| | ----- | | | 1 | | | | | |(END ATTACHING PARTS)..... | | |
| -69 | ----- | | | 1 | | | | | | ..RESISTOR,VAR:(SEE A38R6062 REPL) | | |
| | ----- | | | 1 | | | | | |(ATTACHING PARTS)..... | | |
| -70 | 210-0583-00 | | | 1 | | | | | | ..NUT,PLAIN,HEX:0.25-32 X 0.312 INCH,BRS | 73743 | 2X20317-402 |
| -71 | 210-0046-00 | | | 1 | | | | | | ..WASHER,LOCK:0.261 ID,INTL,0.018 THK,BRS | 78189 | 1214-05-00-0541C |
| -72 | 210-0940-00 | | | 1 | | | | | | ..WASHER,FLAT:0.25 ID X 0.375 INCH OD,STL | 79807 | OBD |
| | ----- | | | 1 | | | | | |(END ATTACHING PARTS)..... | | |
| -73 | 210-0406-00 | | | 1 | | | | | | ..SWITCH,ROTARY:(SEE A38S2035 REPL) | | |
| | ----- | | | 1 | | | | | |(ATTACHING PARTS)..... | | |
| -74 | 210-1002-00 | | | 3 | | | | | | ..NUT,PLAIN,HEX.:4-40 X 0.188 INCH,BRS | 73743 | 12161-50 |
| | ----- | | | 3 | | | | | | ..WASHER,FLAT:0.125 ID X 0.25 INCH OD,BRS | 12327 | OBD |
| | ----- | | | 1 | | | | | |(END ATTACHING PARTS)..... | | |
| -75 | 343-0703-00 | | | 1 | | | | | | ..RETAINER,SPRING: | 80009 | 343-0703-00 |
| -76 | 211-0016-00 | | | 3 | | | | | | ..SCREW,MACHINE:4-40 X 0.625 INCH,PNH STL | 83385 | OBD |
| -77 | 210-0004-00 | | | 3 | | | | | | ..WASHER,LOCK:#4 INTL,0.015 THK,STL CD PL | 000BK | OBD |
| -78 | 380-0504-00 | | | 1 | | | | | | ..HOUSING,SWITCH:POLYCARBONATE | 80009 | 380-0504-00 |
| -79 | 214-1126-01 | | | 1 | | | | | | ..SPRING,FLAT:0.7 X 0.125,CU BE GRN CLR | 80009 | 214-1126-01 |
| -80 | 214-3197-00 | | | 1 | | | | | | ..BUTTON,FRICTION:ACETAL NATURAL | 80009 | 214-3197-00 |
| -81 | 384-1522-01 | | | 1 | | | | | | ..SHAFT,ROTARY:0.248 OD X 1.374 L,W/DETENT | 80009 | 384-1522-01 |
| -82 | 210-0992-00 | | | 1 | | | | | | ..WASHER,FLAT:0.265 ID X 0.01 THK,TEFLON | 80009 | 210-0992-00 |
| -83 | 351-0528-00 | | | 1 | | | | | | ..GUIDE,LIGHT: | 80009 | 351-0528-00 |
| -84 | 401-0418-00 | | | 1 | | | | | | ..BEARING,RTRY,SW:FRONT,0.254 ID | 80009 | 401-0418-00 |
| -85 | 131-0590-00 | | | 4 | | | | | | ..CONTACT,ELEC:0.71 INCH LONG | 22526 | 47351 |
| -86 | 131-0589-00 | | | 2 | | | | | | ..TERMINAL,PIN:0.46 L X 0.025 SQ | 22526 | 48283-029 |
| -87 | ----- | | | 2 | | | | | | ..RESISTOR,VAR:(SEE A38R6104,A38R6106 REPL) | | |
| | ----- | | | 1 | | | | | |(ATTACHING PARTS)..... | | |
| 88 | 210-0583-00 | | | 1 | | | | | | ..NUT,PLAIN,HEX:0.25-32 X 0.312 INCH,BRS | 73743 | 2X20317-402 |
| 89 | 210-0046-00 | | | 1 | | | | | | ..WASHER,LOCK:0.261 ID,INTL,0.018 THK,BRS | 78189 | 1214-05-00-0541C |
| 90 | 210-0940-00 | | | 1 | | | | | | ..WASHER,FLAT:0.25 ID X 0.375 INCH OD,STL | 79807 | OBD |
| | ----- | | | 1 | | | | | |(END ATTACHING PARTS)..... | | |

| Fig. & Index No. | Tektronix Part No. | Serial/Model No. Eff | Dscont | Qty | 1 | 2 | 3 | 4 | 5 | Name & Description | Mfr Code | Mfr Part Number |
|------------------|--------------------|----------------------|--------|-----|---|---|---|---|---|---|----------|------------------|
| 2- | ----- | | | 1 | | | | | | .SW ROTARY ASSY:(SEE A38S6118 REPL) | 80009 | 214-1127-00 |
| -91 | 214-1127-00 | | | 1 | | | | | | ..ROLLER,DETENT:0.125 DIA X 0.125,SST | 80009 | 214-1126-01 |
| -92 | 214-1126-01 | | | 2 | | | | | | ..SPRING,FLAT:0.7 X 0.125,CU BE GRN CLR | 93907 | OBD |
| -93 | 213-0759-00 | | | 3 | | | | | | ..SCR,TPG,THD FOR:2-28 X 0.437 INCH,PNH,ST | 80009 | 401-0340-01 |
| -94 | 401-0340-01 | | | 1 | | | | | | ..BEARING,RTRY SW:FRONT,0.375 DIA | 80009 | 384-1492-01 |
| -95 | 384-1492-01 | | | 1 | | | | | | ..SHAFT,ROTARY SW:W/DETENT,28 POSN | 80009 | 352-0457-22 |
| -96 | 352-0457-22 | | | 1 | | | | | | ..HOLDER,CONTACT:PANCAKE SW,2 CONTACT | 80009 | 401-0341-01 |
| -97 | 401-0341-01 | | | 1 | | | | | | ..BEARING,RTRY SW:REAR,0.252 ID | 80009 | 401-0341-01 |
| -98 | ----- | | | 3 | | | | | | .RESISTOR,VAR:(SEE A38R1121,A38R4043 AND A38R4121 REPL) | | |
| | | | | - | | | | | | ***** (ATTACHING PARTS) ***** | 73743 | 2X20317-402 |
| -99 | 210-0583-00 | | | 3 | | | | | | .NUT,PLAIN,HEX:0.25-32 X 0.312 INCH,BRS | 78189 | 1214-05-00-0541C |
| -100 | 210-0046-00 | | | 3 | | | | | | .WASHER,LOCK:0.261 ID,INTL,0.018 THK,BRS | 79807 | OBD |
| -101 | 210-0940-00 | | | 3 | | | | | | .WASHER,FLAT:0.25 ID X 0.375 INCH OD,STL | | |
| | | | | - | | | | | | ***** (END ATTACHING PARTS) ***** | 79136 | 5555-12MD |
| -102 | 354-0392-00 | | | 7 | | | | | | RING,RETAINING: | 80009 | 214-2616-00 |
| -103 | 214-2616-00 | | | 8 | | | | | | CONTACT,ELEC:GROUNDING CU BE | 80009 | 214-2617-00 |
| -104 | 214-2617-00 | | | 3 | | | | | | SPRING,GROUND:0.248 ID,COPPER BERYLLIUM | 80009 | 343-0760-00 |
| -105 | 343-0760-00 | | | 4 | | | | | | CLAMP,CRT:PLASTIC | 80009 | 343-0811-01 |
| -106 | 343-0811-01 | | | 2 | | | | | | CLAMP,CRT: | | |
| | | | | - | | | | | | ***** (ATTACHING PARTS) ***** | 83385 | OBD |
| -107 | 211-0020-00 | | | 4 | | | | | | SCREW,MACHINE:4-40 X 1.125 INCH,PNH STL | 83385 | OBD |
| -108 | 210-0586-00 | | | 4 | | | | | | NUT,PL,ASSEM WA:4-40 X 0.25,STL | | |
| | | | | - | | | | | | ***** (END ATTACHING PARTS) ***** | 80009 | 361-0920-00 |
| -109 | 361-0920-00 | | | 2 | | | | | | SPACER,CRT SHLD: | | |
| | | | | - | | | | | | ***** (ATTACHING PARTS) ***** | 83385 | OBD |
| -110 | 211-0116-00 | | | 2 | | | | | | SCR,ASSEM WSHR:4-40 X 0.312 INCH,PNH BRS | 83385 | OBD |
| -111 | 213-0034-00 | | | 2 | | | | | | SCR,TPG,THD CTG:4-40 X 0.188 INCH,PNH STL | | |
| | | | | - | | | | | | ***** (END ATTACHING PARTS) ***** | 80009 | 334-3689-00 |
| -112 | 334-3689-00 | | | 1 | | | | | | MARKER,IDENT:J770 | 70485 | 1411B6040 |
| -113 | 348-0003-00 | | | 1 | | | | | | GROMMET,RUBBER:0.312 INCH DIAMETER | 86928 | OBD |
| -114 | 210-0201-00 | | | 1 | | | | | | TERMINAL,LUG:0.12 ID,LOCKING,BRZ TIN PL | | |
| | | | | - | | | | | | ***** (ATTACHING PARTS) ***** | 83385 | OBD |
| -115 | 210-0586-00 | | | 1 | | | | | | NUT,PL,ASSEM WA:4-40 X 0.25,STL | 83385 | OBD |
| -116 | 211-0008-01 | | | 1 | | | | | | SCREW,MACHINE:4-40 X 0.250,PNH,STL,CD PL | | |
| | | | | - | | | | | | ***** (END ATTACHING PARTS) ***** | 80009 | 337-2623-00 |
| -117 | 337-2623-00 | | | 1 | | | | | | SHIELD,CRT:FRONT | | |
| | | | | - | | | | | | ***** (ATTACHING PARTS) ***** | 83385 | OBD |
| -118 | 210-0586-00 | | | 6 | | | | | | NUT,PL,ASSEM WA:4-40 X 0.25,STL | | |
| | | | | - | | | | | | ***** (END ATTACHING PARTS) ***** | 80009 | 136-0717-00 |
| -119 | 136-0717-00 | | | 1 | | | | | | SKT,PL-IN ELEC:ELECTRON TUBE,W/LEADS | 80009 | 136-0358-01 |
| -120 | 136-0358-01 | | | 1 | | | | | | .SKT,PL-IN ELEK:ELECTRON TUBE,20 CONTACT | 80009 | 175-0826-00 |
| -121 | 175-0826-00 | | | FT | | | | | | .WIRE,ELECTRICAL:3 WIRE RIBBON | 08261 | SS04267(1061)0C |
| -122 | 175-0827-00 | | | FT | | | | | | .CABLE,SP,ELEC:4,26 AWG,STRD,PVC JKT,RBN | 80009 | 352-0162-00 |
| -123 | 352-0162-00 | | | 1 | | | | | | .HLDR,TERM CONN:4 WIRE BLACK | 80009 | 352-0162-03 |
| | 352-0162-03 | | | 1 | | | | | | .CONN BODY,PL,EL:4 WIRE ORANGE | 80009 | 352-0163-00 |
| -124 | 352-0163-00 | | | 1 | | | | | | .CONN BODY,PL,EL:5 WIRE BLACK | 80009 | 352-0164-00 |
| -125 | 352-0164-00 | | | 2 | | | | | | .CONN BODY,PL,EL:6 WIRE BLACK | 22526 | 47439 |
| -126 | 131-0707-00 | | | 13 | | | | | | .CONNECTOR,TERM:22-26 AWG,BRS & CU BE GOLD | 80009 | 386-4165-00 |
| -127 | 386-4165-00 | | | 3 | | | | | | PLATE,MOUNTING:CRT | 80009 | 361-0921-00 |
| -128 | 361-0921-00 | | | 1 | | | | | | SPACER,CRT SHLD: | 85471 | DIE#1353 |
| -129 | 252-0571-00 | | | FT | | | | | | NEOPRENE EXTR:CHAN,0.234 X 0.156 | 80009 | 337-2622-00 |
| -130 | 337-2622-00 | | | 1 | | | | | | SHIELD,CRT:REAR | 80009 | 198-4208-00 |
| | 198-4208-00 | | | 1 | | | | | | WIRE SET,ELEC: | 80009 | 175-0825-00 |
| -131 | 175-0825-00 | | | FT | | | | | | .WIRE,ELECTRICAL:2 WIRE RIBBON | 08261 | SS04267(1061)0C |
| -132 | 175-0827-00 | | | FT | | | | | | .CABLE,SP,ELEC:4,26 AWG,STRD,PVC JKT,RBN | 08261 | SS-0526-710610C |
| -133 | 175-0828-00 | | | FT | | | | | | .WIRE,ELECTRICAL:5 WIRE RIBBON | 08261 | SS-0626-710610C |
| -134 | 175-0829-00 | | | FT | | | | | | .WIRE,ELECTRICAL:6 WIRE RIBBON | 08261 | SS-0926(1061)0C |
| -135 | 175-0832-00 | | | FT | | | | | | .WIRE,ELECTRICAL:9 WIRE RIBBON | 80009 | 352-0161-00 |
| -136 | 352-0161-00 | | | 2 | | | | | | .HLDR,TERM CONN:3 WIRE,BLACK | 80009 | 352-0163-00 |
| -137 | 352-0163-00 | | | 1 | | | | | | .CONN BODY,PL,EL:5 WIRE BLACK | 80009 | 352-0164-00 |
| -138 | 352-0164-00 | | | 2 | | | | | | .CONN BODY,PL,EL:6 WIRE BLACK | 80009 | 352-0165-00 |
| -139 | 352-0165-00 | | | 2 | | | | | | .CONN BODY,PL,EL:7 WIRE BLACK | 80009 | 352-0168-00 |
| -140 | 352-0168-00 | | | 2 | | | | | | .CONN BODY,PL,EL:10 WIRE BLACK | 22526 | 47439 |
| -141 | 131-0707-00 | | | 38 | | | | | | .CONNECTOR,TERM:22-26 AWG,BRS & CU BE GOLD | 80009 | 134-0153-00 |
| -142 | 134-0153-00 | | | 6 | | | | | | .KEY,PLZN CONN:MINI LATCH HSG | | |

315

Replaceable Mechanical Parts—496/496P Service Vol.2

| Fig. & Index No. | Tektronix Part No. | Serial/Model No. | | Qty | 1 | 2 | 3 | 4 | 5 | Name & Description | Mfr Code | Mfr Part Number |
|------------------|--------------------|------------------|---------|-----|---|---|---|---|---|--|----------|-----------------|
| | | Eff | Dscont | | | | | | | | | |
| 3-1 | 200-2220-00 | | | 1 | | | | | | GUARD,CKT BD: | 80009 | 200-2220-00 |
| -2 | 334-2257-01 | | | 1 | | | | | | .MARKER,IDENT:CAUTION | 80009 | 334-2257-01 |
| -3 | ----- | | | 1 | | | | | | CKT BOARD ASSY:HIGH VOLTAGE(SEE A74 REPL) ***** (ATTACHING PARTS) ***** | | |
| -4 | 211-0097-01 | | | 1 | | | | | | SCREW,MACHINE:4-40 X 0.312 INCH,PNH STL ***** (END ATTACHING PARTS) ***** | 83385 | OBD |
| -5 | ----- | | | 1 | | | | | | CKT BOARD ASSY INCLUDES: .TRANSISTOR:(SEE A74Q1073 REPL) ***** (ATTACHING PARTS) ***** | | |
| -6 | 211-0012-01 | | | 1 | | | | | | .SCREW,MACHINE:4-40 X 0.375,PNH STL CD PL | 83385 | OBD |
| -7 | 384-0531-00 | | | 1 | | | | | | .ROD,SPACER:0.25 OD X 0.656 INCH LONG | 80009 | 384-0531-00 |
| -8 | 210-0054-00 | | | 1 | | | | | | .WASHER,LOCK:SPLIT,0.118 ID X 0.212"OD S | 83385 | OBD |
| -9 | 210-1171-00 | | | 1 | | | | | | .WSHR,SHOULDERED:0.116 ID X 0.138 INCH OD ***** (END ATTACHING PARTS) ***** | 52905 | A7148516P2 |
| -10 | 342-0354-00 | | | 1 | | | | | | .INSULATOR,PLATE:TRANSISTOR,SILICON RUBBER | 000BB | 7403-10-52 |
| -11 | 131-2196-00 | | | 1 | | | | | | .CONN,RCPT,ELEC:CKT BD,6/12,FEMALE | 22526 | 650002-076 |
| -12 | 214-0579-00 | | | 1 | | | | | | .TERM,TEST POINT:BRS CD PL | 80009 | 214-0579-00 |
| -13 | 131-0608-00 | | | 5 | | | | | | .TERMINAL,PIN:0.365 L X 0.025 PH BRZ GOLD | 22526 | 47357 |
| | 131-0993-00 | B010218 | | 1 | | | | | | .BUS,CONDUCTOR:2 WIRE BLACK | 00779 | 850100-01 |
| -14 | ----- | | | 1 | | | | | | .CKT BOARD ASSY:HIGH VOLTAGE(SEE A74A1 REP) ***** (ATTACHING PARTS) ***** | | |
| -15 | 210-0586-00 | B030000 | B040219 | 2 | | | | | | .NUT,PL,ASSEM WA:4-40 X 0.25,STL | 83385 | OBD |
| | 210-0406-00 | B040220 | | 2 | | | | | | .NUT,PLAIN,HEX.:4-40 X 0.188 INCH,BRS | 73743 | 12161-50 |
| | 210-0054-00 | B040220 | | 2 | | | | | | .WASHER,LOCK:SPLIT,0.118 ID X 0.212"OD S ***** (END ATTACHING PARTS) ***** | 83385 | OBD |
| -16 | 337-2556-01 | | | 1 | | | | | | SHIELD,ELEC:HIGH VOLTAGE ***** (ATTACHING PARTS) ***** | 80009 | 337-2556-01 |
| -17 | 211-0507-01 | | | 1 | | | | | | SCREW,MACHINE:6-32 X 0.312 INCH,PNH STL | 83385 | OBD |
| -18 | 211-0666-00 | | | 2 | | | | | | SCREW,MACHINE:6-32 X 4.25 INCH,PNH STL ***** (END ATTACHING PARTS) ***** | 80009 | 211-0666-00 |
| -19 | 342-0507-00 | | | 1 | | | | | | HIGH VOLTAGE SHIELD ASSY INCLUDES: .INSULATOR,PLATE:HIGH VOLTAGE | 80009 | 342-0507-00 |
| -20 | 342-0094-00 | | | 1 | | | | | | .INSULATOR,PLATE:1.25 X 2.25 INCH L,PLSTC | 80009 | 342-0094-00 |
| -21 | ----- | | | 1 | | | | | | CKT BOARD ASSY:MAIN MOTHER(SEE A28 REPL) ***** (ATTACHING PARTS) ***** | | |
| -22 | 211-0601-00 | | | 14 | | | | | | SCR,ASSEM WSHR:6-32 X 0.312,DOUBLE SEMS ***** (END ATTACHING PARTS) ***** | 83385 | OBD |
| -23 | 131-0608-00 | | | 75 | | | | | | CKT BOARD ASSY INCLUDES: .TERMINAL,PIN:0.365 L X 0.025 PH BRZ GOLD | 22526 | 47357 |
| -24 | 131-0589-00 | | | 988 | | | | | | .TERMINAL,PIN:0.46 L X 0.025 SQ | 22526 | 48283-029 |
| -25 | 198-4398-00 | | | 1 | | | | | | .WIRE SET,ELEC: | 80009 | 198-4398-00 |
| | 352-0163-00 | | | 1 | | | | | | .CONN BODY,PL,EL:5 WIRE BLACK | 80009 | 352-0163-00 |
| | 352-0164-00 | | | 1 | | | | | | .CONN BODY,PL,EL:6 WIRE BLACK | 80009 | 352-0164-00 |
| | 644-0163-07 | | | 1 | | | | | | VAR RESOLN MDL: | 80009 | 644-0163-07 |
| -26 | 200-2205-01 | | | 1 | | | | | | .COVER,ELEC SHLD:VR2 CIRCUIT BOARD ***** (ATTACHING PARTS) ***** | 80009 | 200-2205-01 |
| -27 | 211-0162-00 | | | 17 | | | | | | .SCREW,MACHINE:2-56 X 0.188 INCH,SCH,SST ***** (END ATTACHING PARTS) ***** | 000AH | OBD |
| -28 | 342-0478-00 | | | 2 | | | | | | .INSULATOR,TERM:0.5 INCH LONG,PLASTIC | 80009 | 342-0478-00 |
| -29 | 131-2364-00 | | | 2 | | | | | | .TERM,FEED THRU:U-SHAPE,0.462 X 0.525 | 80009 | 131-2364-00 |
| -30 | ----- | | | 1 | | | | | | CKT BOARD ASSY:BAND LEVELING(SEE A68A3 RE) ***** (ATTACHING PARTS) ***** | | |
| -31 | 211-0007-01 | | | 4 | | | | | | .SCREW,MACHINE:4-40 X 0.188 INCH,PNH STL | 83385 | OBD |
| -32 | 211-0101-01 | | | 2 | | | | | | .SCREW,MACHINE:4-40 X 0.25,100 DEG,FLH STL ***** (END ATTACHING PARTS) ***** | 83385 | OBD |
| -33 | 214-0579-00 | | | 2 | | | | | | CKT BOARD ASSY INCLUDES: .TERM,TEST POINT:BRS CD PL | 80009 | 214-0579-00 |
| -34 | 136-0263-04 | | | 5 | | | | | | .SOCKET,PIN TERM:FOR 0.025 INCH SQUARE PI | 22526 | 75377-001 |
| -35 | 214-2569-00 | | | 2 | | | | | | .HEAT SINK,XSTR:(1) TO-5,BE-CU | 80009 | 214-2569-00 |
| -36 | ----- | | | 1 | | | | | | .CABLE ASSY,RF:(SEE W692 REPL) | | |
| -37 | 131-0372-00 | | | 2 | | | | | | .CONNECTOR,RCPT,COAXIAL | 98291 | 51-043-4300 |
| -38 | ----- | | | 1 | | | | | | .CKT BD ASSY:2ND FILTER SELECT (SEE A68A2 REPL) ***** (ATTACHING PARTS) ***** | | |
| -39 | 211-0007-01 | | | 4 | | | | | | .SCREW,MACHINE:4-40 X 0.188 INCH,PNH STL ***** (END ATTACHING PARTS) ***** | 83385 | OBD |

316

| Fig. & Index No. | Tektronix Part No. | Serial/Model No. | | Qty | 1 | 2 | 3 | 4 | 5 | Name & Description | Mfr Code | Mfr Part Number |
|------------------|--------------------|------------------|--------|-----|---|---|---|---|---|---|----------|------------------|
| | | Eff | Dscont | | | | | | | | | |
| 3- | ----- | | | - | | | | | | .CKT BOARD ASSY INCLUDES: | | |
| -40 | 136-0263-04 | | | 8 | | | | | | ..SOCKET,PIN TERM:FOR 0.025 INCH SQUARE PI | 22526 | 75377-001 |
| -41 | 131-0589-00 | | | 4 | | | | | | ..TERMINAL,PIN:0.46 L X 0.025 SQ | 22526 | 48283-029 |
| -42 | 346-0032-00 | | | 3 | | | | | | ..STRAP,RETAINING:0.075 DIA X 4.0 L,MLD RB | 98159 | 2859-75-4 |
| -43 | 214-0579-00 | | | 2 | | | | | | ..TERM,TEST POINT:BRS CD PL | 80009 | 214-0579-00 |
| -44 | ----- | | | 1 | | | | | | .CKT BOARD ASSY:POST V.R. AMP(SEE A68A4 RE(ATTACHING PARTS)..... | | |
| -45 | 211-0007-01 | | | 2 | | | | | | .SCREW,MACHINE:4-40 X 0.188 INCH,PNH STL | 83385 | OBD |
| -46 | 211-0101-01 | | | 1 | | | | | | .SCREW,MACHINE:4-40 X 0.25,100 DEG,FLH STL(END ATTACHING PARTS)..... | 83385 | OBD |
| -47 | 136-0263-04 | | | - | | | | | | .CKT BOARD ASSY INCLUDES: | | |
| -48 | 214-2569-00 | | | 3 | | | | | | ..SOCKET,PIN TERM:FOR 0.025 INCH SQUARE PI | 22526 | 75377-001 |
| -49 | 214-0579-00 | | | 1 | | | | | | ..HEAT SINK,XSTR:(1) TO-5,BE-CU | 80009 | 214-2569-00 |
| -50 | 407-2137-00 | | | 2 | | | | | | ..TERM,TEST POINT:BRS CD PL | 80009 | 214-0579-00 |
| -51 | 211-0541-00 | | | 1 | | | | | | .BRACKET,HOUSING:RIGHT | 80009 | 407-2137-00 |
| -52 | 211-0504-00 | | | 1 | | | | | |(ATTACHING PARTS)..... | | |
| -53 | ----- | | | 1 | | | | | | .SCREW,MACHINE:6-32 X 0.25*100 DEG,FLH STL | 83385 | OBD |
| -54 | 211-0503-00 | | | 1 | | | | | | .SCREW,MACHINE:6-32 X 0.25 INCH,PNH STL(END ATTACHING PARTS)..... | 83385 | OBD |
| -55 | 380-0546-01 | | | 1 | | | | | | .MICROCKT,LINEAR:(SEE U3041 REPL)(ATTACHING PARTS)..... | | |
| -56 | 211-0514-00 | | | 1 | | | | | | .SCREW,MACHINE:6-32 X 0.188 INCH,PNH STL(END ATTACHING PARTS)..... | 83385 | OBD |
| -57 | 210-0006-00 | | | 3 | | | | | | .HOUSING,CKT BD:VR2,AL(ATTACHING PARTS)..... | 80009 | 380-0546-01 |
| -58 | 211-0180-00 | | | 3 | | | | | | .SCREW,MACHINE:6-32 X 0.750 INCH,PNH STL | 83385 | OBD |
| -59 | ----- | | | 3 | | | | | | .WASHER,LOCK:#6 INTL,0.018 THK,STL CD PL | 78189 | 1206-00-00-0541C |
| -60 | 131-0787-00 | | | 12 | | | | | | .SCR,ASSEM WSHR:2-56 X 0.25 INCH,PNH BRS(END ATTACHING PARTS)..... | 83385 | OBD |
| -61 | 131-2196-00 | | | 1 | | | | | | .CKT BOARD ASSY:#2 V.R. MOTHER (SEE A68A1 REPL) | | |
| -62 | 131-2167-00 | | | 1 | | | | | | ..CONTACT,ELEC:0.64 INCH LONG | 22526 | 47359 |
| -63 | 361-0917-00 | | | 1 | | | | | | ..CONN,RCPT,ELEC:CKT BD,6/12,FEMALE | 22526 | 650002-076 |
| -64 | ----- | | | 1 | | | | | | ..CONN,RCPT,ELEC:CKT BD,FEMALE,12/24 | 22526 | 65002-009 |
| -65 | 211-0180-00 | | | 3 | | | | | | .SPACER,SLEEVE:0.141 ID X 0.25 INCH LONG | 80009 | 361-0917-00 |
| -66 | 131-0787-00 | | | 1 | | | | | | .CKT BOARD ASSY:#1 V.R. MOTHER (SEE A69A1 REPL)(ATTACHING PARTS)..... | | |
| -67 | 131-2167-00 | | | 18 | | | | | | .SCR,ASSEM WSHR:2-56 X 0.25 INCH,PNH BRS(END ATTACHING PARTS)..... | 83385 | OBD |
| -68 | 407-2138-00 | | | - | | | | | | .CKT BOARD ASSY INCLUDES: | | |
| -69 | 211-0541-00 | | | 21 | | | | | | ..CONTACT,ELEC:0.64 INCH LONG | 22526 | 47359 |
| -70 | 211-0510-00 | | | 1 | | | | | | ..CONN,RCPT,ELEC:CKT BD,FEMALE,12/24 | 22526 | 65002-009 |
| -71 | 200-2206-01 | | | 1 | | | | | | .BRACKET,HOUSING:LEFT(ATTACHING PARTS)..... | 80009 | 407-2138-00 |
| -72 | 211-0162-01 | | | 2 | | | | | | .SCREW,MACHINE:6-32 X 0.25*100 DEG,FLH STL | 83385 | OBD |
| -73 | 211-0030-00 | | | 1 | | | | | | .SCREW,MACHINE:6-32 X 0.375,PNH,STL,CD PL(END ATTACHING PARTS)..... | 83385 | OBD |
| -74 | 131-2364-00 | | | 1 | | | | | | .COVER,ELEC SHLD:VR1 CIRCUIT BOARD(ATTACHING PARTS)..... | 80009 | 200-2206-01 |
| -75 | 342-0478-00 | | | 19 | | | | | | .SCREW,MACHINE:2-56 X 0.188 INCH,SCH,SST | 000AH | OBD |
| -76 | ----- | | | 2 | | | | | | .SCREW,MACHINE:2-56 X 0.25*82 DEG,FLH STL(END ATTACHING PARTS)..... | 83385 | OBD |
| -77 | 211-0007-00 | | | 3 | | | | | | .TERM,FEED THRU:U-SHAPE,0.462 X 0.525 | 80009 | 131-2364-00 |
| -78 | 136-0263-04 | | | 3 | | | | | | .INSULATOR,TERM:0.5 INCH LONG,PLASTIC | 80009 | 342-0478-00 |
| -79 | 214-0579-00 | | | 1 | | | | | | .CKT BOARD ASSY:20 DB GAIN STEPS (SEE A69A5 REPL)(ATTACHING PARTS)..... | | |
| -80 | ----- | | | 4 | | | | | | .SCREW,MACHINE:4-40 X 0.188 INCH,PNH STL(END ATTACHING PARTS)..... | 83385 | OBD |
| -81 | 136-0263-04 | | | - | | | | | | .CKT BOARD ASSY INCLUDES: | | |
| -82 | 214-0579-00 | | | 7 | | | | | | ..SOCKET,PIN TERM:FOR 0.025 INCH SQUARE PI | 22526 | 75377-001 |
| -83 | ----- | | | 2 | | | | | | ..TERM,TEST POINT:BRS CD PL | 80009 | 214-0579-00 |

| Fig. & Index No. | Tektronix Part No. | Serial/Model No. | | Qty | 1 | 2 | 3 | 4 | 5 | Name & Description | Mfr Code | Mfr Part Number |
|------------------|--------------------|------------------|--------|-----|---|---|---|---|---|---|----------|-----------------|
| | | Eff | Dscont | | | | | | | | | |
| 3-80 | ----- | | | 1 | | | | | | .CKT BOARD ASSY:10 DB GAIN STEPS (SEE A69A4 REPL) | | |
| | ----- | | | - | | | | | | *****ATTACHING PARTS***** | | |
| -81 | 211-0007-01 | | | 4 | | | | | | .SCREW,MACHINE:4-40 X 0.188 INCH,PNH STL | 83385 | OBD |
| -82 | 211-0008-01 | | | 2 | | | | | | .SCREW,MACHINE:4-40 X 0.250,PNH,STL,CD PL *****END ATTACHING PARTS***** | 83385 | OBD |
| | ----- | | | - | | | | | | .CKT BOARD ASSY INCLUDES: | | |
| -83 | 214-2569-00 | | | 2 | | | | | | ..HEAT SINK,XSTR:(1) TO-5,BE-CU | 80009 | 214-2569-00 |
| -84 | 136-0263-04 | | | 8 | | | | | | ..SOCKET,PIN TERM:FOR 0.025 INCH SQUARE PI | 22526 | 75377-001 |
| -85 | 214-0579-00 | | | 2 | | | | | | ..TERM,TEST POINT:BRS CD PL | 80009 | 214-0579-00 |
| -86 | ----- | | | 1 | | | | | | .CKT BD ASSY:1ST FILTER SELECT (SEE A69A3 REPL) | | |
| | ----- | | | - | | | | | | *****ATTACHING PARTS***** | | |
| -87 | 211-0007-01 | | | 4 | | | | | | .SCREW,MACHINE:4-40 X 0.188 INCH,PNH STL *****END ATTACHING PARTS***** | 83385 | OBD |
| | ----- | | | - | | | | | | .CKT BOARD ASSY INCLUDES: | | |
| -88 | 214-0579-00 | | | 2 | | | | | | ..TERM,TEST POINT:BRS CD PL | 80009 | 214-0579-00 |
| -89 | 136-0263-04 | | | 10 | | | | | | ..SOCKET,PIN TERM:FOR 0.025 INCH SQUARE PI | 22526 | 75377-001 |
| -90 | 346-0032-00 | | | 3 | | | | | | ..STRAP,RETAINING:0.075 DIA X 4.0 L,MLD RB | 98159 | 2859-75-4 |
| -91 | 131-0589-00 | | | 4 | | | | | | ..TERMINAL,PIN:0.46 L X 0.025 SQ | 22526 | 48283-029 |
| -92 | ----- | | | 1 | | | | | | .CKT BOARD ASSY:V.R. INPUT(SEE A69A2 REPL) *****ATTACHING PARTS***** | | |
| -93 | 211-0007-01 | | | 4 | | | | | | .SCREW,MACHINE:4-40 X 0.188 INCH,PNH STL | 83385 | OBD |
| -94 | 211-0101-01 | | | 1 | | | | | | .SCREW,MACHINE:4-40 X 0.25,100 DEG,FLH STL *****END ATTACHING PARTS***** | 83385 | OBD |
| | ----- | | | - | | | | | | .CKT BOARD ASSY INCLUDES: | | |
| -95 | 214-0579-00 | | | 3 | | | | | | ..TERM,TEST POINT:BRS CD PL | 80009 | 214-0579-00 |
| -96 | 136-0263-04 | | | 2 | | | | | | ..SOCKET,PIN TERM:FOR 0.025 INCH SQUARE PI | 22526 | 75377-001 |
| -97 | 214-2569-00 | | | 1 | | | | | | ..HEAT SINK,XSTR:(1) TO-5,BE-CU | 80009 | 214-2569-00 |
| -98 | 131-0372-00 | | | 1 | | | | | | .CONNECTOR,RCPT,:COAXIAL | 98291 | 51-043-4300 |
| -99 | 380-0547-01 | | | 1 | | | | | | .HOUSING,CKT BD:VR1,AL | 80009 | 380-0547-01 |

318

9-11

FIG. 2. FRONT PANEL & CRT

FAN DRIVE CKT BD LOC

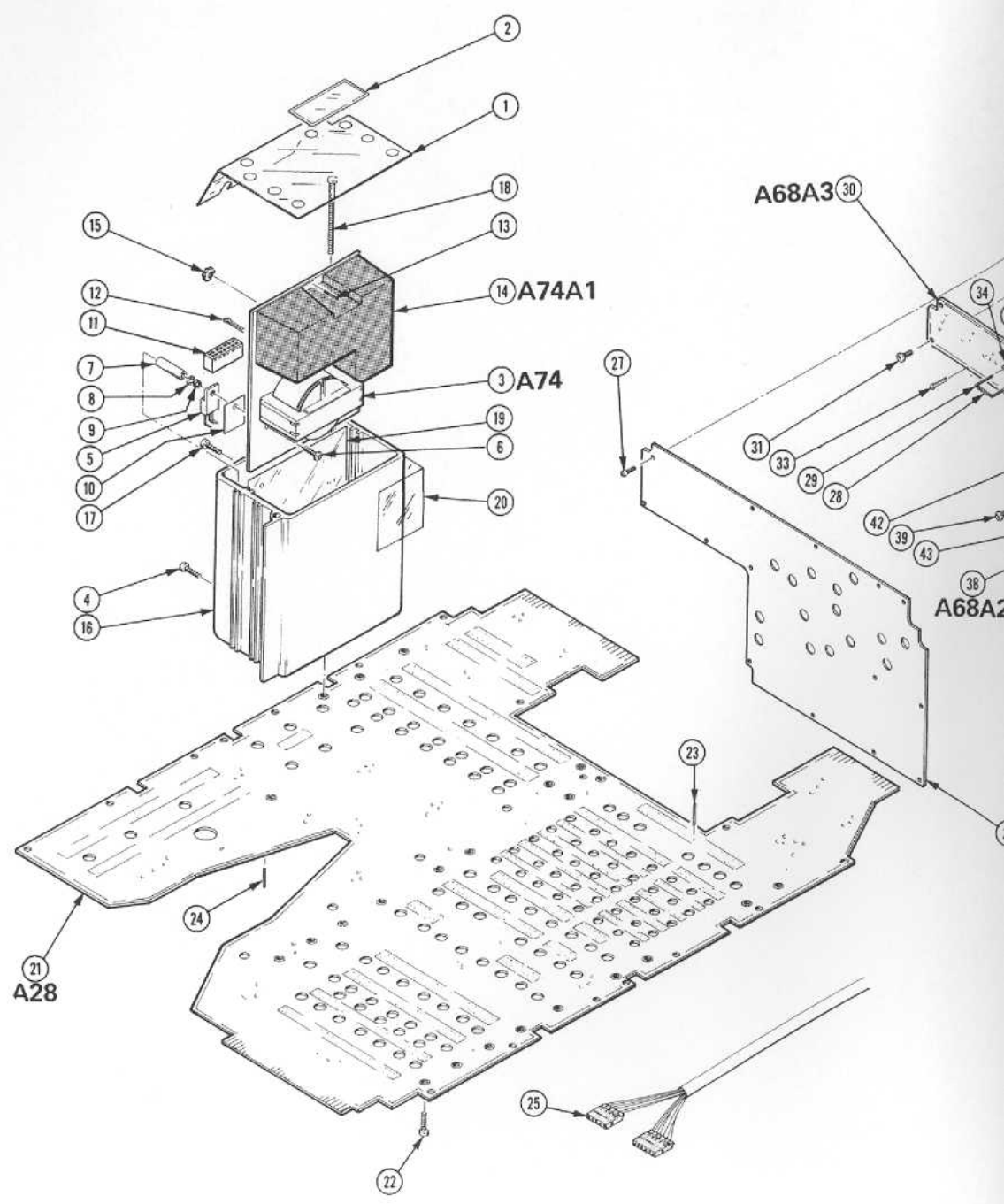
3
-81
-82
-83
-84
-85
-86

-87

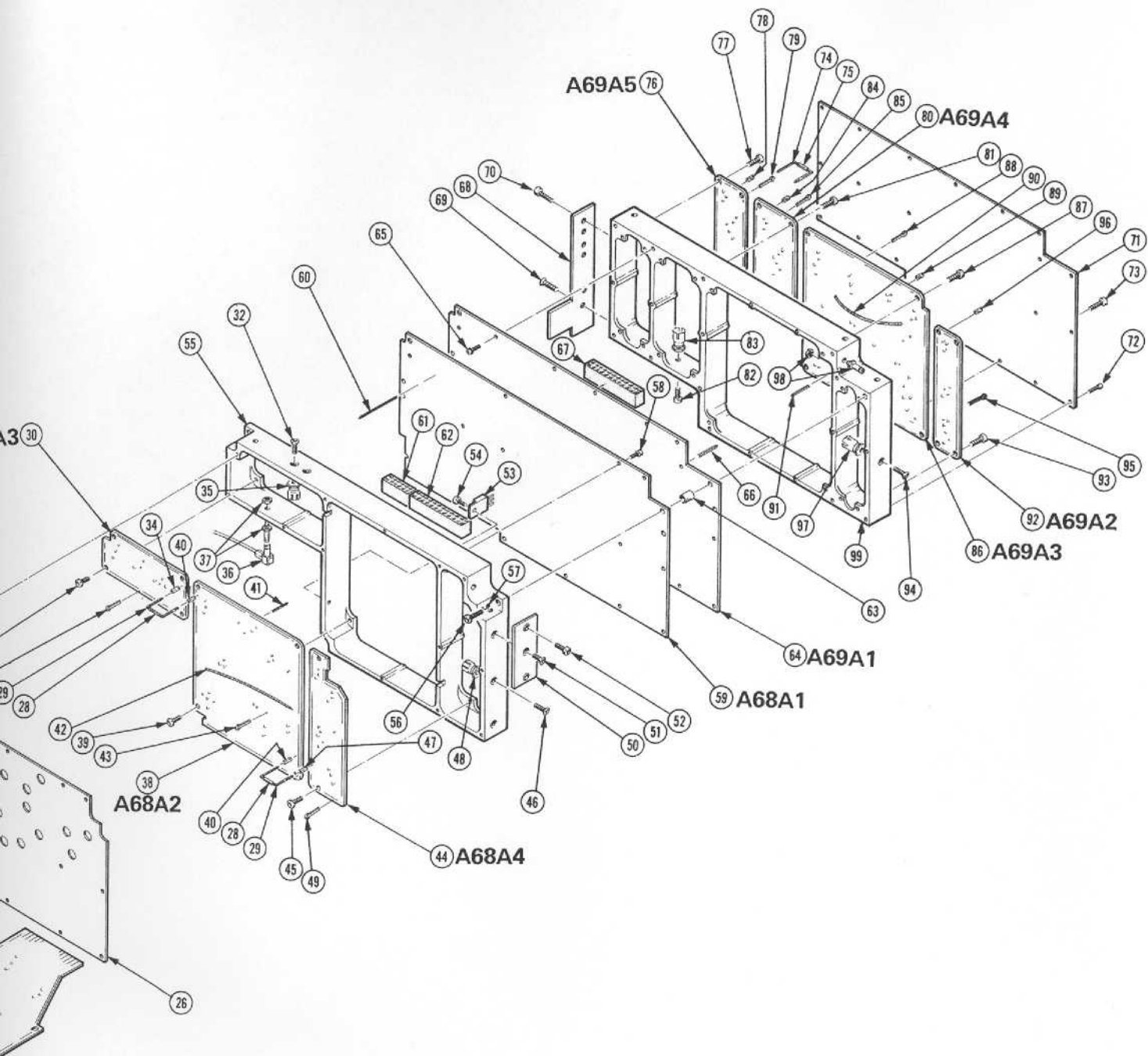
-88
-89
-90
-91
-92

93
94

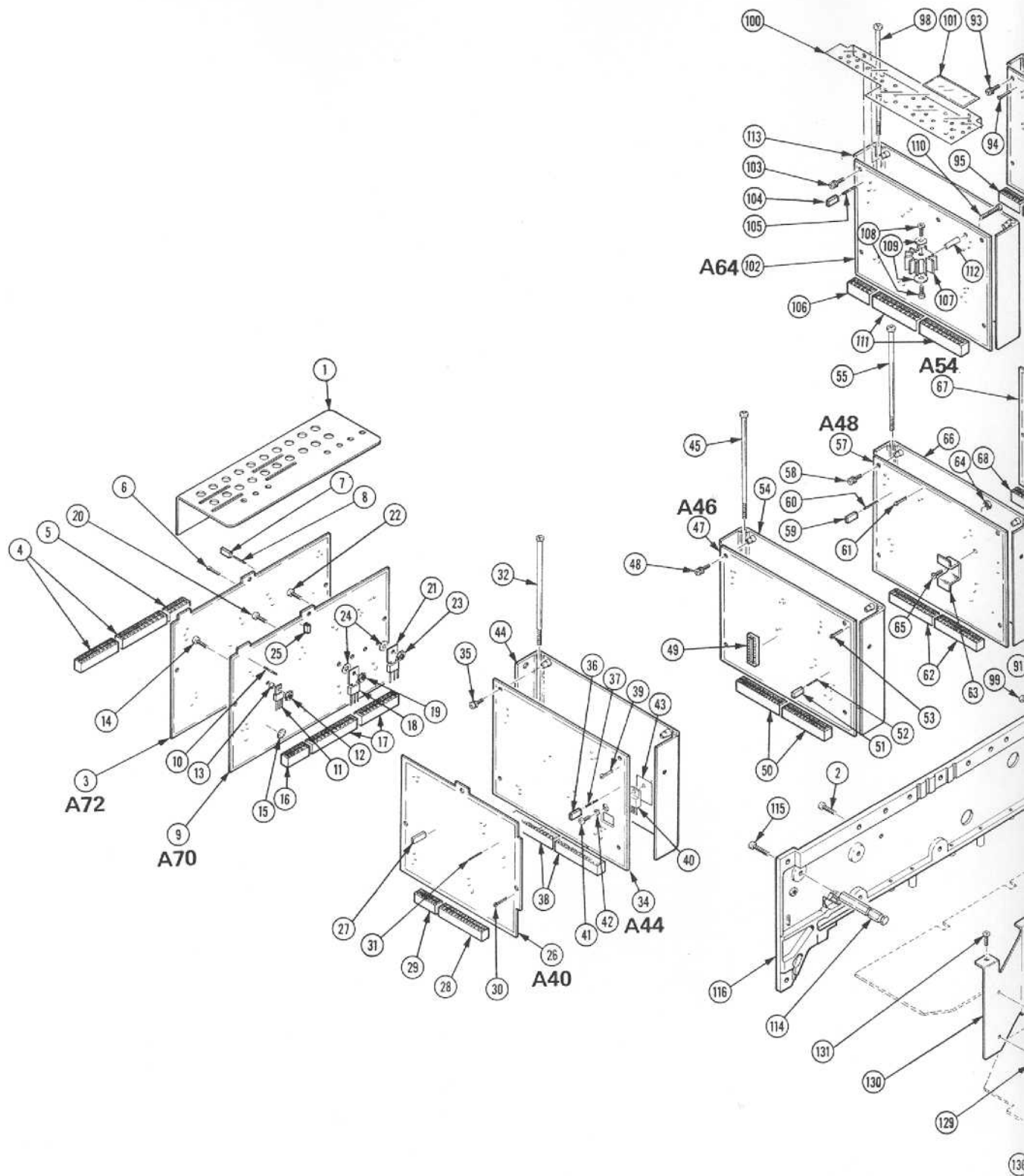
5
6



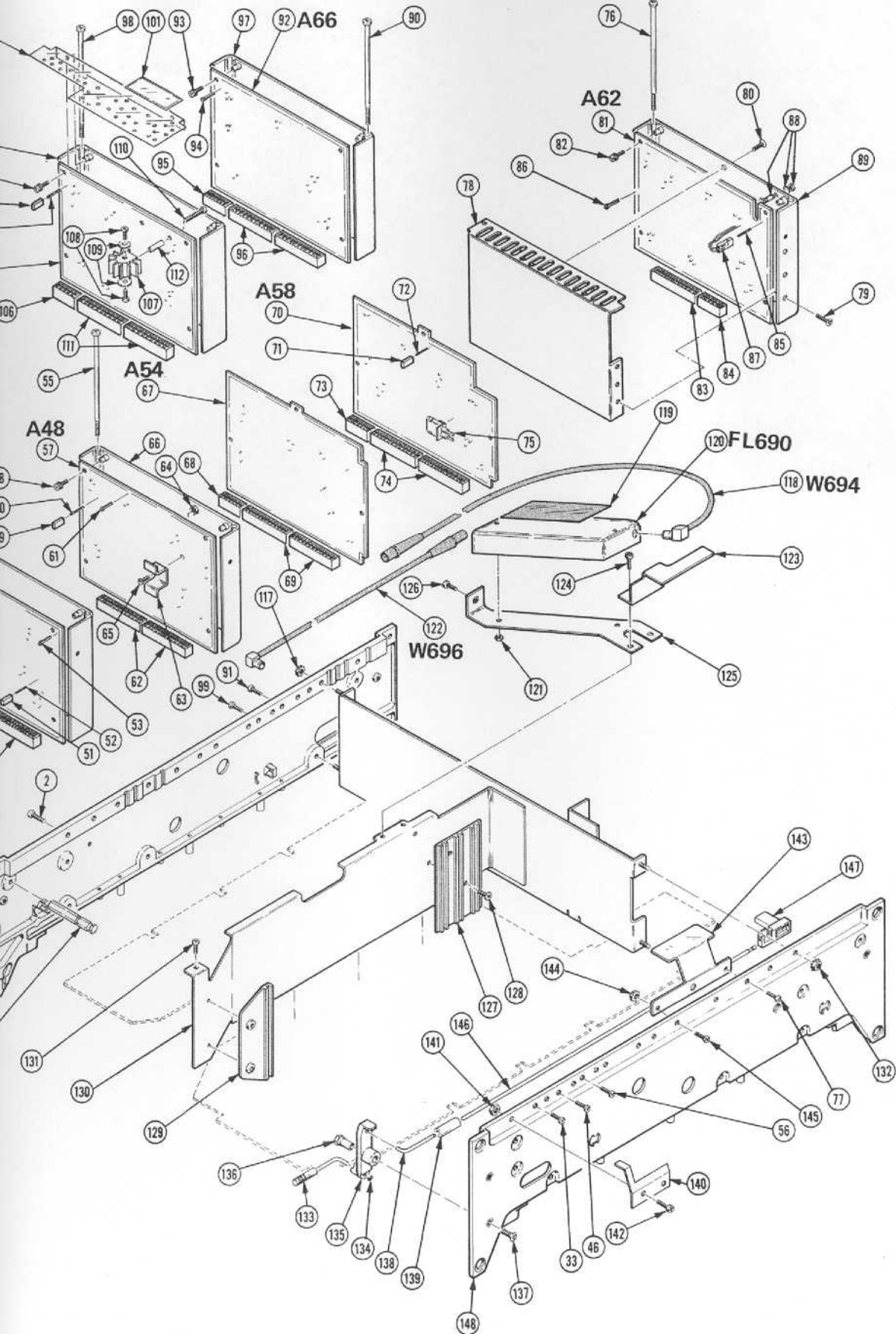
319



320



~~320~~ 321



| Fig. & Index No. | Tektronix Part No. | Serial/Model No. | | Qty | 1 2 3 4 5 | Name & Description | Mfr Code | Mfr Part Number |
|------------------|--------------------|------------------|--------|-----|-----------|---|----------|-----------------|
| | | Eff | Dscont | | | | | |
| 4-1 | 407-2383-00 | | | 1 | | BRACKET,ANGLE:CIRCUIT BOARD ***** (ATTACHING PARTS) ***** | 80009 | 407-2383-00 |
| -2 | 211-0507-01 | | | 2 | | SCREW,MACHINE:6-32 X 0.312 INCH,PNH STL ***** (END ATTACHING PARTS) ***** | 83385 | OBD |
| -3 | ----- | | | 1 | | CKT BOARD ASSY:SWEEP(SEE A72 REPL) | | |
| -4 | 131-2167-00 | | | 2 | | .CONN,RCPT,ELEC:CKT BD,FEMALE,12/24 | 22526 | 65002-009 |
| -5 | 131-2196-00 | | | 1 | | .CONN,RCPT,ELEC:CKT BD,6/12,FEMALE | 22526 | 650002-076 |
| -6 | 214-0579-00 | | | 1 | | .TERM,TEST POINT:BRS CD PL | 80009 | 214-0579-00 |
| -7 | 131-0993-00 | | | 3 | | .BUS,CONDUCTOR:2 WIRE BLACK | 00779 | 850100-01 |
| -8 | 131-0608-00 | | | 14 | | .TERMINAL,PIN:0.365 L X 0.025 PH BRZ GOLD | 22526 | 47357 |
| -9 | ----- | | | 1 | | CKT BOARD ASSY:Z-AXIS(SEE A70 REPL) | | |
| -10 | 131-0608-00 | | | 9 | | .TERMINAL,PIN:0.365 L X 0.025 PH BRZ GOLD | 22526 | 47357 |
| -11 | ----- | | | 1 | | .TRANSISTOR:(SEE A70Q3028 REPL) ***** (ATTACHING PARTS) ***** | | |
| -12 | 210-0586-00 | | | 1 | | .NUT,PL,ASSEM WA:4-40 X 0.25,STL | 83385 | OBD |
| -13 | 210-1133-00 | | | 1 | | .WASHER,FLAT:0.142 ID X 0.058 THK,FBR | 80009 | 210-1133-00 |
| -14 | 211-0097-01 | | | 1 | | SCREW,MACHINE:4-40 X 0.312 INCH,PNH STL ***** (END ATTACHING PARTS) ***** | 83385 | OBD |
| -15 | 386-1130-00 | | | 2 | | .INSULATOR DISC:TRANSISTOR,NYLON | 13103 | 7717-15N |
| -16 | 131-2196-00 | | | 1 | | .CONN,RCPT,ELEC:CKT BD,6/12,FEMALE | 22526 | 650002-076 |
| -17 | 131-2167-00 | | | 2 | | .CONN,RCPT,ELEC:CKT BD,FEMALE,12/24 | 22526 | 65002-009 |
| -18 | ----- | | | 2 | | .TRANSISTOR:(SEE A70Q4058,A70Q4063 REPL) ***** (ATTACHING PARTS) ***** | | |
| -19 | 210-0586-00 | | | 2 | | .NUT,PL,ASSEM WA:4-40 X 0.25,STL | 83385 | OBD |
| -20 | 211-0097-01 | | | 2 | | SCREW,MACHINE:4-40 X 0.312 INCH,PNH STL ***** (END ATTACHING PARTS) ***** | 83385 | OBD |
| -21 | ----- | | | 2 | | .TRANSISTOR:(SEE A70Q4059,A70Q4065 REPL) ***** (ATTACHING PARTS) ***** | | |
| -22 | 211-0097-01 | | | 2 | | SCREW,MACHINE:4-40 X 0.312 INCH,PNH STL | 83385 | OBD |
| -23 | 210-0586-00 | | | 2 | | .NUT,PL,ASSEM WA:4-40 X 0.25,STL ***** (END ATTACHING PARTS) ***** | 83385 | OBD |
| -24 | 210-1282-00 | | | 4 | | .WASHER,FLAT:0.130 ID X 0.06 THK,STEEL | 07707 | S-BBUP-4 |
| -25 | 136-0544-00 | | | 9 | | .JACK,TIP:HORIZ CKT CD MT,WHITE | 74970 | 105-1101-001 |
| -26 | ----- | | | - | | CKT BOARD ASSY:LEVELING VIDEO PROCESSOR (SEE A40 REPL) | | |
| -27 | 131-0993-00 | | | 1 | | .BUS,CONDUCTOR:2 WIRE BLACK | 00779 | 850100-01 |
| -28 | 131-2167-00 | | | 1 | | .CONN,RCPT,ELEC:CKT BD,FEMALE,12/24 | 22526 | 65002-009 |
| -29 | 131-2196-00 | | | 1 | | .CONN,RCPT,ELEC:CKT BD,6/12,FEMALE | 22526 | 650002-076 |
| -30 | 214-0579-00 | | | 8 | | .TERM,TEST POINT:BRS CD PL | 80009 | 214-0579-00 |
| -31 | 131-0608-00 | | | 2 | | .TERMINAL,PIN:0.365 L X 0.025 PH BRZ GOLD | 22526 | 47357 |
| | 672-0941-00 | | | 1 | | CKT BOARD ASSY:1ST LO DRIVER ***** (ATTACHING PARTS) ***** | 80009 | 672-0941-00 |
| -32 | 211-0666-00 | | | 2 | | SCREW,MACHINE:6-32 X 4.25 INCH,PNH STL | 80009 | 211-0666-00 |
| -33 | 211-0507-01 | | | 1 | | SCREW,MACHINE:6-32 X 0.312 INCH,PNH STL ***** (END ATTACHING PARTS) ***** | 83385 | OBD |
| -34 | ----- | | | - | | CKT BOARD ASSY INCLUDES: .CKT BOARD ASSY:1ST L.O. DRIVER(SEE A44 RE ***** (ATTACHING PARTS) ***** | | |
| -35 | 211-0116-00 | | | 4 | | .SCR,ASSEM WSHR:4-40 X 0.312 INCH,PNH BRS ***** (END ATTACHING PARTS) ***** | 83385 | OBD |
| -36 | 131-0993-00 | | | 1 | | .BUS,CONDUCTOR:2 WIRE BLACK | 00779 | 850100-01 |
| -37 | 131-0608-00 | | | 2 | | .TERMINAL,PIN:0.365 L X 0.025 PH BRZ GOLD | 22526 | 47357 |
| -38 | 131-2167-00 | | | 2 | | .CONN,RCPT,ELEC:CKT BD,FEMALE,12/24 | 22526 | 65002-009 |
| -39 | 214-0579-00 | | | 2 | | .TERM,TEST POINT:BRS CD PL | 80009 | 214-0579-00 |
| -40 | ----- | | | 1 | | .TRANSISTOR:(SEE Q3052 REPL) ***** (ATTACHING PARTS) ***** | | |
| -41 | 211-0008-01 | | | 1 | | .SCREW,MACHINE:4-40 X 0.250,PNH,STL,CD PL | 83385 | OBD |
| -42 | 210-1178-00 | | | 1 | | .WASHER,SHLDR:U/W T0-220 TRANSISTOR ***** (END ATTACHING PARTS) ***** | 49671 | DF137A |
| -43 | 342-0355-00 | | | 1 | | .INSULATOR,PLATE:TRANSISTOR,SILICONE RUBBE | 000BB | 7403-09FR-51 |
| -44 | 352-0512-00 | | | 1 | | .HOLDER,CKT BD:5.7 L,ALUMINUM | 80009 | 352-0512-00 |

323

Replaceable Mechanical Parts—496/496P Service Vol. 2

| Fig. & Index No. | Tektronix Part No. | Serial/Model No. | | Qty | 1 | 2 | 3 | 4 | 5 | Name & Description | Mfr Code | Mfr Part Number |
|------------------|--------------------|------------------|---------|-----|---|---|---|---|---|--|----------|-----------------|
| | | Eff | Dscont | | | | | | | | | |
| 4- | 672-0809-00 | B010100 | B010399 | 1 | | | | | | CKT BOARD ASSY: CENTER FREQ CONTROL | 80009 | 672-0809-00 |
| | 672-0809-01 | B010400 | B010413 | 1 | | | | | | CKT BOARD ASSY: CENTER FREQ CONTROL | 80009 | 672-0809-01 |
| | 672-0809-02 | B010414 | B010469 | 1 | | | | | | CKT BOARD ASSY: CENTER FREQ CONTROL | 80009 | 672-0809-02 |
| | 672-0809-03 | B010470 | | 1 | | | | | | CKT BOARD ASSY: CENTER FREQ CONTROL ***** (ATTACHING PARTS) ***** | 80009 | 672-0809-03 |
| -45 | 211-0666-00 | | | 2 | | | | | | SCREW, MACHINE: 6-32 X 4.25 INCH, PNH STL | 80009 | 211-0666-00 |
| -46 | 211-0507-01 | | | 1 | | | | | | SCREW, MACHINE: 6-32 X 0.312 INCH, PNH STL ***** (END ATTACHING PARTS) ***** | 83385 | OBD |
| -47 | ----- | | | - | | | | | | CKT BOARD ASSY INCLUDES: .CKT BOARD ASSY: CTR FREQ CONTROL (SEE A46 REPL) | | |
| -48 | 211-0116-00 | | | 4 | | | | | | .SCR, ASSEM WSHR: 4-40 X 0.312 INCH, PNH BRS ***** (END ATTACHING PARTS) ***** .CKT BOARD ASSY INCLUDES: | 83385 | OBD |
| -49 | 136-0578-00 | | | 4 | | | | | | .SKT, PL-IN ELEK: MICROCKT, 24 PIN, LOW PROFI | 73803 | C S9002-24 |
| -50 | 131-2167-00 | | | 2 | | | | | | .CONN, RCPT, ELEC: CKT BD, FEMALE, 12/24 | 22526 | 65002-009 |
| -51 | 131-0993-00 | | | 2 | | | | | | .BUS, CONDUCTOR: 2 WIRE BLACK | 00779 | 850100-01 |
| -52 | 131-0608-00 | | | 4 | | | | | | .TERMINAL, PIN: 0.365 L X 0.025 PH BRZ GOLD | 22526 | 47357 |
| -53 | 214-0579-00 | B010100 | B010399 | 7 | | | | | | .TERM, TEST POINT: BRS CD PL | 80009 | 214-0579-00 |
| | 214-0579-00 | B010400 | | 5 | | | | | | .TERM, TEST POINT: BRS CD PL | 80009 | 214-0579-00 |
| -54 | 352-0512-00 | | | 1 | | | | | | .HOLDER, CKT BD: 5.7 L, ALUMINUM | 80009 | 352-0512-00 |
| | 672-0811-00 | | | 1 | | | | | | CKT BOARD ASSY: SPAN ATTENUATOR ***** (ATTACHING PARTS) ***** | 80009 | 672-0811-00 |
| -55 | 211-0666-00 | | | 2 | | | | | | SCREW, MACHINE: 6-32 X 4.25 INCH, PNH STL | 80009 | 211-0666-00 |
| -56 | 211-0507-00 | | | 1 | | | | | | SCREW, MACHINE: 6-32 X 0.312 INCH, PNH STL ***** (END ATTACHING PARTS) ***** | 83385 | OBD |
| -57 | ----- | | | - | | | | | | CKT BOARD ASSY INCLUDES: .CKT BOARD ASSY: SPAN ATTENUATOR (SEE A48 RE ***** (ATTACHING PARTS) ***** | | |
| -58 | 211-0116-00 | | | 4 | | | | | | .SCR, ASSEM WSHR: 4-40 X 0.312 INCH, PNH BRS ***** (END ATTACHING PARTS) ***** | 83385 | OBD |
| | 129-0299-00 | B010400 | | 2 | | | | | | .POST, ELEC-MECH: HEX, 0.333 INCH LONG ***** (ATTACHING PARTS) ***** | 80009 | 129-0299-00 |
| | 211-0116-00 | B010400 | | 2 | | | | | | .SCR, ASSEM WSHR: 4-40 X 0.312 INCH, PNH BRS ***** (END ATTACHING PARTS) ***** | 83385 | OBD |
| -59 | 131-0993-00 | | | 1 | | | | | | .BUS, CONDUCTOR: 2 WIRE BLACK | 00779 | 850100-01 |
| -60 | 131-0608-00 | | | 2 | | | | | | .TERMINAL, PIN: 0.365 L X 0.025 PH BRZ GOLD | 22526 | 47357 |
| -61 | 214-0579-00 | | | 2 | | | | | | .TERM, TEST POINT: BRS CD PL | 80009 | 214-0579-00 |
| -62 | 131-2167-00 | | | 2 | | | | | | .CONN, RCPT, ELEC: CKT BD, FEMALE, 12/24 | 22526 | 65002-009 |
| -63 | 214-1845-01 | | | 2 | | | | | | .HEAT SINK, XSTR: 0.125 DIA HOLE, AL ***** (ATTACHING PARTS) ***** | 80009 | 214-1845-01 |
| -64 | 210-0586-00 | | | 2 | | | | | | .NUT, PL, ASSEM WA: 4-40 X 0.25, STL | 83385 | OBD |
| -65 | 211-0008-01 | | | 2 | | | | | | .SCREW, MACHINE: 4-40 X 0.250, PNH, STL, CD PL ***** (END ATTACHING PARTS) ***** | 83385 | OBD |
| -66 | 352-0512-00 | | | 1 | | | | | | .HOLDER, CKT BD: 5.7 L, ALUMINUM | 80009 | 352-0512-00 |
| -67 | ----- | | | 1 | | | | | | CKT BOARD ASSY: MEMORY (SEE A54 REPL) | | |
| -68 | 131-2196-00 | | | 1 | | | | | | .CONN, RCPT, ELEC: CKT BD, 6/12, FEMALE | 22526 | 650002-076 |
| -69 | 131-2167-00 | | | 2 | | | | | | .CONN, RCPT, ELEC: CKT BD, FEMALE, 12/24 | 22526 | 65002-009 |
| -70 | ----- | | | 1 | | | | | | CKT BOARD ASSY: PROCESSOR (SEE A58 REPL) | | |
| -71 | 131-0993-00 | | | 2 | | | | | | .BUS, CONDUCTOR: 2 WIRE BLACK | 00779 | 850100-01 |
| -72 | 131-0608-00 | | | 5 | | | | | | .TERMINAL, PIN: 0.365 L X 0.025 PH BRZ GOLD | 22526 | 47357 |
| -73 | 131-2196-00 | | | 1 | | | | | | .CONN, RCPT, ELEC: CKT BD, 6/12, FEMALE | 22526 | 650002-076 |
| -74 | 131-2167-00 | | | 2 | | | | | | .CONN, RCPT, ELEC: CKT BD, FEMALE, 12/24 | 22526 | 65002-009 |
| -75 | 136-0208-00 | | | 1 | | | | | | .SOCKET, PLUG-IN: CRYSTAL AUGAT | 91506 | 8004-1G5 |

| Fig. & Index No. | Tektronix Part No. | Serial/Model No. | | Qty | Name & Description | | | | | Mfr Code | Mfr Part Number |
|------------------|--------------------|------------------|--------|-----|--|---|---|---|---|----------|-----------------|
| | | Eff | Dscont | | 1 | 2 | 3 | 4 | 5 | | |
| 4- | 672-0810-00 | | | 1 | CKT BOARD ASSY: LOG AMPLIFIER ***** (ATTACHING PARTS) ***** | | | | | 80009 | 672-0810-00 |
| -76 | 211-0666-00 | | | 2 | SCREW, MACHINE: 6-32 X 4.25 INCH, PNH STL | | | | | 80009 | 211-0666-00 |
| -77 | 211-0507-01 | | | 1 | SCREW, MACHINE: 6-32 X 0.312 INCH, PNH STL ***** (END ATTACHING PARTS) ***** | | | | | 83385 | OBD |
| -78 | 337-2803-00 | | | 1 | CKT BOARD ASSY INCLUDES: .SHIELD, ELEC: CIRCUIT BOARD ***** (ATTACHING PARTS) ***** | | | | | 80009 | 337-2803-00 |
| -79 | 211-0105-01 | | | 6 | .SCREW, MACHINE: 4-40 X 0.188, 100 DEG, FLH ST | | | | | 83385 | OBD |
| -80 | 211-0005-01 | | | 3 | .SCREW, MACHINE: 4-40 X 0.125 INCH, PNH STL ***** (END ATTACHING PARTS) ***** | | | | | 83385 | OBD |
| -81 | | | | 1 | .CKT BOARD ASSY: LOG AMPLIFIER (SEE A62 REPL ***** (ATTACHING PARTS) ***** | | | | | | |
| -82 | 211-0116-00 | | | 4 | .SCR, ASSEM WSHR: 4-40 X 0.312 INCH, PNH BRS ***** (END ATTACHING PARTS) ***** | | | | | 83385 | OBD |
| -83 | 131-2167-00 | | | 1 | .CONN, RCPT, ELEC: CKT BD, FEMALE, 12/24 | | | | | 22526 | 65002-009 |
| -84 | 131-2196-00 | | | 1 | .CONN, RCPT, ELEC: CKT BD, 6/12, FEMALE | | | | | 22526 | 650002-076 |
| -85 | 131-0608-00 | | | 4 | .TERMINAL, PIN: 0.365 L X 0.025 PH BRZ GOLD | | | | | 22526 | 47357 |
| -86 | 214-0579-00 | | | 1 | .TERM, TEST POINT: BRS CD PL | | | | | 80009 | 214-0579-00 |
| -87 | 198-4209-00 | | | 1 | .WIRE SET, ELEC: | | | | | 80009 | 198-4209-00 |
| | 352-0169-00 | | | 1 | .HLDR, TERM CONN: 2 WIRE BLACK | | | | | 80009 | 352-0169-00 |
| | 352-0169-02 | | | 1 | .CONN BODY, PL, EL: 2 WIRE RED | | | | | 80009 | 352-0169-00 |
| -88 | 131-0372-00 | | | 2 | .CONNECTOR, RCPT, COAXIAL | | | | | 98291 | 51-043-4300 |
| -89 | 352-0512-01 | | | 1 | .HOLDER, CKT BD: 5.7 L, ALUMINUM | | | | | 80009 | 352-0512-01 |
| | 672-0808-00 | | | 1 | CKT BOARD ASSY: CRT READOUT ***** (ATTACHING PARTS) ***** | | | | | 80009 | 672-0808-00 |
| -90 | 211-0666-00 | | | 2 | SCREW, MACHINE: 6-32 X 4.25 INCH, PNH STL | | | | | 80009 | 211-0666-00 |
| -91 | 211-0507-01 | | | 1 | SCREW, MACHINE: 6-32 X 0.312 INCH, PNH STL ***** (END ATTACHING PARTS) ***** | | | | | 83385 | OBD |
| -92 | | | | 1 | CKT BOARD ASSY INCLUDES: .CKT BOARD ASSY: CRT READOUT (SEE A66 REPL) ***** (ATTACHING PARTS) ***** | | | | | | |
| -93 | 211-0116-00 | | | 4 | .SCR, ASSEM WSHR: 4-40 X 0.312 INCH, PNH BRS ***** (END ATTACHING PARTS) ***** | | | | | 83385 | OBD |
| -94 | 214-0579-00 | | | 1 | .TERM, TEST POINT: BRS CD PL | | | | | 80009 | 214-0579-00 |
| -95 | 131-2196-00 | | | 1 | .CONN, RCPT, ELEC: CKT BD, 6/12, FEMALE | | | | | 22526 | 650002-076 |
| -96 | 131-2167-00 | | | 2 | .CONN, RCPT, ELEC: CKT BD, FEMALE, 12/24 | | | | | 22526 | 65002-009 |
| -97 | 352-0512-00 | | | 1 | .HOLDER, CKT BD: 5.7 L, ALUMINUM | | | | | 80009 | 352-0512-00 |
| | 672-0813-00 | | | 1 | CKT BOARD ASSY: DEFLECTION AMPLIFIER ***** (ATTACHING PARTS) ***** | | | | | 80009 | 672-0813-00 |
| -98 | 211-0666-00 | | | 2 | SCREW, MACHINE: 6-32 X 4.25 INCH, PNH STL | | | | | 80009 | 211-0666-00 |
| -99 | 211-0507-00 | | | 1 | SCREW, MACHINE: 6-32 X 0.312 INCH, PNH STL ***** (END ATTACHING PARTS) ***** | | | | | 83385 | OBD |
| -100 | 200-2238-00 | | | 1 | CKT BOARD ASSY INCLUDES: .COVER, CKT BD: DEFLECTION AMPLIFIER | | | | | 80009 | 200-2238-00 |
| -101 | 334-2257-01 | | | 1 | .MARKER, IDENT: CAUTION | | | | | 80009 | 334-2257-01 |
| -102 | | | | 1 | .CKT BOARD ASSY: DEFLECTION AMP (SEE A64 REP ***** (ATTACHING PARTS) ***** | | | | | | |
| -103 | 211-0116-00 | | | 4 | .SCR, ASSEM WSHR: 4-40 X 0.312 INCH, PNH BRS ***** (END ATTACHING PARTS) ***** | | | | | 83385 | OBD |
| -104 | 131-0993-00 | | | 4 | .BUS, CONDUCTOR: 2 WIRE BLACK | | | | | 00779 | 850100-01 |
| -105 | 131-0608-00 | | | 14 | .TERMINAL, PIN: 0.365 L X 0.025 PH BRZ GOLD | | | | | 22526 | 47357 |
| -106 | 131-2196-00 | | | 1 | .CONN, RCPT, ELEC: CKT BD, 6/12, FEMALE | | | | | 22526 | 650002-076 |
| -107 | 214-2867-00 | | | 2 | .HEAT SINK, XSTR: ***** (ATTACHING PARTS) ***** | | | | | 80009 | 214-2867-00 |
| -108 | 211-0008-01 | | | 4 | .SCREW, MACHINE: 4-40 X 0.250, PNH, STL, CD PL | | | | | 83385 | OBD |
| -109 | 210-1001-00 | | | 4 | .WASHER, FLAT: 0.119 ID X 0.375" OD, BRS | | | | | 12360 | OBD |
| -110 | 211-0017-00 | | | 2 | .SCREW, MACHINE: 4-40 X 0.375 INCH, PNH STL ***** (END ATTACHING PARTS) ***** | | | | | 83385 | OBD |
| -111 | 131-2167-00 | | | 2 | .CONN, RCPT, ELEC: CKT BD, FEMALE, 12/24 | | | | | 22526 | 65002-009 |
| -112 | 361-0564-00 | | | 2 | .SPACER, SLEEVE: 0.50 L X 0.133 ID BRS CD | | | | | 76854 | 3-5165-275 |
| -113 | 352-0512-00 | | | 1 | .HOLDER, CKT BD: 5.7 L, ALUMINUM | | | | | 80009 | 352-0512-00 |

325

Replaceable Mechanical Parts—496/496P Service Vol. 2

| Fig. & Index No. | Tektronix Part No. | Serial/Model No. Eff | Dscont | Qty | 1 | 2 | 3 | 4 | 5 | Name & Description | Mfr Code | Mfr Part Number |
|------------------|--------------------|----------------------|---------|-----|---|---|---|---|---|--|----------|-----------------|
| 4-114 | 351-0559-00 | | | 1 | | | | | | GUIDE,CKT BD:ALUMINUM ***** (ATTACHING PARTS) ***** | 80009 | 351-0559-00 |
| -115 | 211-0507-01 | | | 1 | | | | | | SCREW,MACHINE:6-32 X 0.312 INCH,PNH STL ***** (END ATTACHING PARTS) ***** | 83385 | OBD |
| -116 | 426-1467-01 | | | 1 | | | | | | FRAME SECT,SA:SIDE ***** (ATTACHING PARTS) ***** | 80009 | 426-1467-01 |
| -117 | 210-0457-00 | | | 2 | | | | | | NUT,PL,ASSEM WA:6-32 X 0.312,STL CD PL ***** (END ATTACHING PARTS) ***** | 83385 | OBD |
| -118 | ----- | | | 1 | | | | | | CABLE ASSY,RF:(SEE W694 REPL) | | |
| -119 | 342-0604-00 | B010205 | | 1 | | | | | | INSULATOR,PLATE:FILTER | 85471 | OBD |
| | 342-0604-00 | B010150 | | 1 | | | | | | INSULATOR,PLATE:FILTER (496P ONLY) | 85471 | OBD |
| -120 | ----- | | | 1 | | | | | | FILTER,CRYSTAL:(SEE FL690 REPL) ***** (ATTACHING PARTS) ***** | | |
| -121 | 210-0405-00 | | | 2 | | | | | | NUT,PLAIN,HEX.:2-56 X 0.188 INCH,BRS ***** (END ATTACHING PARTS) ***** | 73743 | 12157-50 |
| -122 | ----- | | | 1 | | | | | | CABLE ASSY,RF:(SEE W696 REPL) | | |
| -123 | 407-2765-00 | B010100 | B010109 | 1 | | | | | | BRACKET,RTNG:CIRCUIT BOARD,CENTER ***** (ATTACHING PARTS) ***** | 80009 | 407-2765-00 |
| -124 | 211-0510-00 | | | 2 | | | | | | SCREW,MACHINE:6-32 X 0.375,PNH,STL,CD PL | 83385 | OBD |
| | 210-1171-00 | B042625 | | 2 | | | | | | WSHR,SHOULDERED:0.116 ID X 0.138 INCH OD ***** (END ATTACHING PARTS) ***** | 52905 | A7148516P2 |
| -125 | 407-2759-00 | B010100 | B042623 | 1 | | | | | | BRACKET,FILTER: | 80009 | 407-2759-00 |
| | 407-2759-01 | B042524 | | 1 | | | | | | BRACKET,FILTER: ***** (ATTACHING PARTS) ***** | 80009 | 407-2759-01 |
| -126 | 211-0008-01 | | | 1 | | | | | | SCREW,MACHINE:4-40 X 0.250,PNH,STL,CD PL ***** (END ATTACHING PARTS) ***** | 83385 | OBD |
| -127 | 351-0577-00 | | | 1 | | | | | | GUIDE,CKT BD:2.9 INCH LONG,AL ***** (ATTACHING PARTS) ***** | 80009 | 351-0577-00 |
| -128 | 211-0504-00 | | | 2 | | | | | | SCREW,MACHINE:6-32 X 0.25 INCH,PNH STL ***** (END ATTACHING PARTS) ***** | 83385 | OBD |
| -129 | 351-0561-00 | | | 1 | | | | | | GUIDE,CKT BD:PLASTIC | 80009 | 351-0561-00 |
| -130 | 426-1531-00 | | | 1 | | | | | | CHAS ASSY,INNER:SPECTRUM ANALYZER ***** (ATTACHING PARTS) ***** | 80009 | 426-1531-00 |
| -131 | 211-0507-01 | | | 1 | | | | | | SCREW,MACHINE:6-32 X 0.312 INCH,PNH STL | 83385 | OBD |
| -132 | 210-0457-00 | | | 2 | | | | | | NUT,PL,ASSEM WA:6-32 X 0.312,STL CD PL ***** (END ATTACHING PARTS) ***** | 83385 | OBD |
| -133 | 366-1763-00 | | | 1 | | | | | | KNOB,GY,0.3 OD X 0.81 H,W/SHAFT ***** (ATTACHING PARTS) ***** | 80009 | 366-1763-00 |
| -134 | 354-0163-00 | | | 1 | | | | | | RING,RETAINING:TRUARC,CAD PLATE ***** (END ATTACHING PARTS) ***** | 79136 | 5133-12MD |
| -135 | 214-2924-01 | | | 1 | | | | | | LEVER,SWITCH:ACETAL ***** (ATTACHING PARTS) ***** | 80009 | 214-2924-01 |
| -136 | 377-0499-00 | | | 1 | | | | | | INSERT,SCR THD:6-32 X 0.635 INCH LONG | 80009 | 377-0499-00 |
| -137 | 211-0512-00 | | | 1 | | | | | | SCREW,MACHINE:6-32 X 0.50" 100 DEG,FLH ST ***** (END ATTACHING PARTS) ***** | 83385 | OBD |
| -138 | 384-1540-00 | | | 1 | | | | | | EXTENSION,SHAFT:0.125 OD X 1.87 L | 80009 | 384-1540-00 |
| -139 | 376-0053-00 | | | 1 | | | | | | CPLG,SHAFT,RGD:0.128 ID X 0.312 OD | 80009 | 376-0053-00 |
| -140 | 407-2784-00 | | | 1 | | | | | | BRACKET,RTNG:CIRCUIT BOARD ***** (ATTACHING PARTS) ***** | 80009 | 407-2784-00 |
| -141 | 210-0457-00 | | | 1 | | | | | | NUT,PL,ASSEM WA:6-32 X 0.312,STL CD PL | 83385 | OBD |
| -142 | 211-0510-00 | | | 1 | | | | | | SCREW,MACHINE:6-32 X 0.375,PNH,STL,CD PL ***** (END ATTACHING PARTS) ***** | 83385 | OBD |
| -143 | 407-2514-00 | | | 1 | | | | | | BRACKET,RING:CIRCUIT BOARD,SIDE ***** (ATTACHING PARTS) ***** | 80009 | 407-2514-00 |
| -144 | 210-0457-00 | | | 1 | | | | | | NUT,PL,ASSEM WA:6-32 X 0.312,STL CD PL | 83385 | OBD |
| -145 | 211-0510-00 | | | 1 | | | | | | SCREW,MACHINE:6-32 X 0.375,PNH,STL,CD PL ***** (END ATTACHING PARTS) ***** | 83385 | OBD |
| -146 | 384-1518-00 | | | 1 | | | | | | SHAFT,SWITCH:12.35L X 0.125 OD,ALUMINUM | 80009 | 384-1518-00 |
| -147 | 214-2772-01 | | | 1 | | | | | | ACTUATOR,SWITCH:POWER | 80009 | 214-2772-01 |
| -148 | 426-1467-01 | | | 1 | | | | | | FRAME SECT,SA:SIDE | 80009 | 426-1467-01 |
| | 161-0104-00 | B010310 | | 1 | | | | | | CABLE ASSY,PWR,:3 WIRE,98.0" LONG | 16428 | KH8352 |

326

| Fig. & Index No. | Tektronix Part No. | Serial/Model No. | | Qty | 1 | 2 | 3 | 4 | 5 | Name & Description | Mfr Code | Mfr Part Number |
|------------------|--------------------|------------------|--------|-----|---|---|---|---|---|---|----------|-----------------|
| | | Eff | Dscont | | | | | | | | | |
| 5-1 | 346-0161-01 | | | 1 | | | | | | STRAP,RETAINING:1.54 L X 0.5 W,SST,W/BRKT ***** (ATTACHING PARTS)***** | 80009 | 346-0161-01 |
| -2 | 211-0007-01 | | | 1 | | | | | | SCREW,MACHINE:4-40 X 0.188 INCH,PNH STL | 83385 | OBD |
| -3 | 210-0589-00 | | | 1 | | | | | | NUT,SELF LKG HE:4-40 X 0.250 INCH | 13257 | 22 NM-40 |
| -4 | 211-0014-00 | | | 1 | | | | | | SCREW,MACHINE:4-40 X 0.50 INCH,PNH STL ***** (END ATTACHING PARTS)***** | 83385 | OBD |
| -5 | 346-0162-01 | | | 1 | | | | | | STRAP,RETAINING:3.21 L X 0.5 W,SST,W/BRKT ***** (ATTACHING PARTS)***** | 80009 | 346-0162-01 |
| -6 | 211-0007-01 | | | 1 | | | | | | SCREW,MACHINE:4-40 X 0.188 INCH,PNH STL ***** (END ATTACHING PARTS)***** | 83385 | OBD |
| -7 | ----- | | | 1 | | | | | | WIRE SET,ELEC:(SEE W1037 REPL) | | |
| | 352-0165-00 | | | 1 | | | | | | .CONN BODY,PL,EL:7 WIRE BLACK | 80009 | 352-0165-00 |
| | 352-0165-02 | | | 1 | | | | | | .CONN BODY,PL,EL:7 WIRE RED | 80009 | 352-0165-02 |
| | 134-0153-00 | | | 4 | | | | | | .KEY,PLZN CONN:MINI LATCH HSG | 80009 | 134-0153-00 |
| -8 | ----- | | | 1 | | | | | | OSCILLATOR,RF:(SEE A16 REPL) | | |
| -9 | ----- | | | 1 | | | | | | .CKT BOARD ASSY:1ST L.O. INTERFACE (SEE A16A1REPL) | | |
| -10 | 131-0608-00 | | | - | | | | | | ..TERMINAL,PIN:0.365 L X 0.025 PH BRZ GOLD | 22526 | 47357 |
| | 343-0549-00 | B010170 | | 11 | | | | | | ..STRAP,TIEDOWN:0.091 W X 3.62 INCH LONG | 06383 | PLT1M |
| -11 | 361-0935-00 | | | 1 | | | | | | SPACER,OSC:ALUMINUM | 80009 | 361-0935-00 |
| -12 | 214-2769-00 | | | 1 | | | | | | HEAT SINK,OSC: ***** (ATTACHING PARTS)***** | 80009 | 214-2769-00 |
| -13 | 211-0097-01 | | | 4 | | | | | | SCREW,MACHINE:4-40 X 0.312 INCH,PNH STL ***** (END ATTACHING PARTS)***** | 83385 | OBD |
| -14 | ----- | | | 1 | | | | | | CABLE ASSY,RF:(SEE W166 REPL) | | |
| -15 | ----- | | | 1 | | | | | | CABLE ASSY,RF:(SEE W130 REPL) | | |
| -16 | ----- | | | 1 | | | | | | CABLE ASSY,RF:(SEE W132 REPL) | | |
| -17 | ----- | | | 1 | | | | | | POWER DIV ASSY:(SEE A13 REPL) ***** (ATTACHING PARTS)***** | | |
| -18 | 211-0007-01 | | | 2 | | | | | | SCREW,MACHINE:4-40 X 0.188 INCH,PNH STL ***** (END ATTACHING PARTS)***** | 83385 | OBD |
| -19 | ----- | | | 1 | | | | | | CABLE ASSY,RF:(SEE W182,W320 REPL) | | |
| -20 | ----- | | | 1 | | | | | | CABLE ASSY,RF:(SEE W360 REPL) | | |
| -21 | ----- | | | 1 | | | | | | FILTER,BANDPASS:(SEE FL36 REPL) ***** (ATTACHING PARTS)***** | | |
| -22 | 211-0008-01 | | | 2 | | | | | | SCREW,MACHINE:4-40 X 0.250,PNH,STL,CD PL ***** (END ATTACHING PARTS)***** | 83385 | OBD |
| -23 | 343-0119-01 | | | 1 | | | | | | CLAMP,LOOP:0.094 ID,NYLON ***** (ATTACHING PARTS)***** | 95987 | 3/32-2 |
| -24 | 210-0458-00 | | | 1 | | | | | | NUT,PL,ASSEM WA:8-32 X 0.344 INCH,STL | 83385 | OBD |
| -25 | 210-0803-00 | | | 1 | | | | | | WASHER,FLAT:0.15 ID X 0.032 THK,STL CD ***** (END ATTACHING PARTS)***** | 12327 | OBD |
| -26 | 407-2353-00 | | | 1 | | | | | | BRACKET,ANGLE:LOW PASS FILTER | 80009 | 407-2353-00 |
| -27 | ----- | | | 1 | | | | | | ATTENUATOR,FXD:(SEE AT13 REPL) | | |
| -28 | ----- | | | 2 | | | | | | CABLE ASSY,RF:(SEE W134 REPL) | | |
| -29 | ----- | | | 1 | | | | | | CABLE ASSY,RF:(SEE W220 REPL) | | |
| | 337-2991-00 | B010326 | | 1 | | | | | | SHIELD,PROT:WAVEGUARD MIXER | 80009 | 337-2991-00 |
| -30 | ----- | | | 1 | | | | | | DIR FILTER:(SEE FL16 REPL) ***** (ATTACHING PARTS)***** | | |
| -31 | 211-0008-01 | | | 2 | | | | | | SCREW,MACHINE:4-40 X 0.250,PNH,STL,CD PL ***** (END ATTACHING PARTS)***** | 83385 | OBD |
| -32 | ----- | | | 1 | | | | | | CABLE ASSY,RF:(SEE W161 REPL) | | |
| -33 | ----- | | | 1 | | | | | | CABLE ASSY,RF:(SEE W100 REPL) | | |
| -34 | ----- | | | 1 | | | | | | FILTER,LOW PASS:(SEE FL10 REPL) | | |
| -35 | ----- | | | 1 | | | | | | ATTENUATOR,VAR:(SEE AT12 REPL) | | |
| -36 | ----- | | | 1 | | | | | | CABLE ASSY,RF:(SEE W105 REPL) | | |
| -37 | ----- | | | 1 | | | | | | ATTENUATOR,VAR:(SEE AT10 REPL) ***** (ATTACHING PARTS)***** | | |
| -38 | 211-0008-01 | | | 2 | | | | | | SCREW,MACHINE:4-40 X 0.250,PNH,STL,CD PL ***** (END ATTACHING PARTS)***** | 83385 | OBD |
| | ----- | | | - | | | | | | ATTENUATOR ASSY INCLUDES: | | |
| -39 | 175-2371-00 | | | 1 | | | | | | .CA ASSY,SP,ELEC:8.5 INCH LONG,RIBBON | 80009 | 175-2371-00 |
| | 352-0165-00 | | | 1 | | | | | | .CONN BODY,PL,EL:7 WIRE BLACK | 80009 | 352-0165-00 |
| -40 | 343-0144-00 | | | 1 | | | | | | .CLAMP,LOOP:0.125 INCH ID,BLK NYLON ***** (ATTACHING PARTS)***** | 95987 | 1-8-2 |
| -41 | 211-0121-00 | | | 1 | | | | | | .SCR,ASSEM WSHR:4-40 X 0.438 INCH,PNH BRS ***** (END ATTACHING PARTS)***** | 83385 | OBD |

→ 175-3310-00
VOIRE DEBUT DU MANUEL

| Fig. & Index No. | Tektronix Part No. | Serial/Model No. Eff | Dscont | Qty | 1 | 2 | 3 | 4 | 5 | Name & Description | Mfr Code | Mfr Part Number |
|------------------|--------------------|----------------------|--------|-----|---|---|---|---|---|--|----------|-----------------|
| 5-42 | ----- | | | 1 | | | | | | CABLE ASSY,RF:(SEE W101 REPL) | | |
| -43 | ----- | | | 1 | | | | | | CABLE ASSY,RF:(SEE W240 REPL) | | |
| -44 | ----- | | | 1 | | | | | | CABLE ASSY,RF:(SEE W502 REPL) | | |
| -45 | ----- | | | 1 | | | | | | HYBRID CRT ASSY:(SEE A24 REPL) | | |
| -46 | 211-0008-01 | | | 2 | | | | | | SCREW,MACHINE:4-40 X 0.250,PNH,STL,CD PL(ATTACHING PARTS).....(END ATTACHING PARTS)..... | 83385 | OBD |
| -47 | ----- | | | - | | | | | | HYBRID ASSY INCLUDES: | | |
| | 352-0162-00 | | | 1 | | | | | | ..CA ASSY,SP,ELEC:3.0 INCH LONG(SEE W242 RE | | |
| | 352-0164-00 | | | 1 | | | | | | ..HLDR,TERM CONN:4 WIRE BLACK | | |
| -48 | ----- | | | 1 | | | | | | ..CONN BODY,PL,EL:6 WIRE BLACK | 80009 | 352-0162-00 |
| | ----- | | | 1 | | | | | | ..CKT BOARD ASSY:PHASE GATE INPUT (SEE A24A1REPL) | 80009 | 352-0164-00 |
| -49 | 211-0206-00 | | | 2 | | | | | |(ATTACHING PARTS)..... ..SCR,CAP,SOC HD:2-56 X 0.312 INCH,STL(END ATTACHING PARTS)..... | 000AH | OBD |
| -50 | 131-1425-00 | | | - | | | | | | CKT BOARD ASSY INCLUDES: | | |
| -51 | ----- | | | 1 | | | | | | ..CONTACT SET,ELE:R ANGLE,0.150" L,STR OF | | |
| | ----- | | | 1 | | | | | | CABLE ASSY,RF:(SEE W348 REPL) | 22526 | 65521-136 |
| | ----- | | | 1 | | | | | | OSC/MIXER ASSY:(SEE A34 REPL) | | |
| -52 | 211-0008-02 | | | 2 | | | | | | SCREW,MACHINE:4-40 X 0.250,PNH,STL,CD PL(ATTACHING PARTS).....(END ATTACHING PARTS)..... | 83385 | OBD |
| 53 | ----- | | | - | | | | | | OSC/MIXER ASSY INCLUDES: | | |
| 54 | ----- | | | 1 | | | | | | ..CKT BOARD ASSY:100MHZ L/O RGLTR (SEE A34A2 REPL) | | |
| 55 | 210-0586-00 | | | 1 | | | | | | ..MICROCIRCUIT,LI:(SEE U1010 REPL) | | |
| 6 | ----- | | | 1 | | | | | |(ATTACHING PARTS)..... ..NUT,PL,ASSEM WA:4-40 X 0.25,STL(END ATTACHING PARTS)..... | 83385 | OBD |
| 7 | 210-0586-00 | | | 1 | | | | | | ..MICROCIRCUIT,LI:(SEE U2010 REPL) | | |
| 8 | 210-0851-00 | | | 1 | | | | | |(ATTACHING PARTS)..... ..NUT,PL,ASSEM WA:4-40 X 0.25,STL | | |
| 9 | 210-1178-00 | | | 1 | | | | | | ..WASHER,FLAT:0.119 ID X 0.375 INCH OD,ST | 83385 | OBD |
| 10 | 210-1002-00 | | | 1 | | | | | | ..WASHER,SHLDR:U/W T0-220 TRANSISTOR | 12327 | OBD |
| | ----- | | | 1 | | | | | | ..WASHER,FLAT:0.125 ID X 0.25 INCH OD,BRS | 49671 | DF137A |
| | ----- | | | 1 | | | | | |(END ATTACHING PARTS)..... | 12327 | OBD |
| | 342-0355-00 | | | 1 | | | | | | ..INSULATOR,PLATE:TRANSISTOR,SILICONE RUBBE | | |
| | 175-2376-00 | | | 1 | | | | | | ..CA ASSY,SP,ELEC:5.5 INCH LONG | 000BB | 7403-09FR-51 |
| | 352-0163-00 | | | 1 | | | | | | ..CONN BODY,PL,EL:5 WIRE BLACK | 80009 | 175-2376-00 |
| | 407-2166-00 | | | 1 | | | | | | ..BRACKET,ANGLE:110MHZ MIXER,ALUMINUM | 80009 | 352-0163-00 |
| | 131-1972-00 | | | 2 | | | | | | ..CONN,RCPT,ELEC:SNAP CATCH,RIGHT ANGLE | 80009 | 407-2166-00 |
| | 131-0938-00 | | | 4 | | | | | | ..CONNECTOR,RCPT.:50 OHM MALE SNAP-ON | 98291 | 51-047-0239 |
| | ----- | | | 1 | | | | | | ..CKT BOARD ASSY:110 MIXER/OSC(SEE A34A1 RE(ATTACHING PARTS)..... | 98291 | 051-043-0349 |
| | 211-0012-01 | | | 2 | | | | | | ..SCREW,MACHINE:4-40 X 0.375,PNH STL CD PL(END ATTACHING PARTS)..... | 83385 | OBD |
| | 129-0236-00 | | | 2 | | | | | | ..SPACER,POST:0.188 HEX X 0.375 INCH LONG | 06540 | 9726-A-0440 |
| | 255-0678-00 | | | FT | | | | | | ..PLASTIC,EXTR:GROMMET,BLACK | | |
| | 337-2574-01 | | | 1 | | | | | | ..SHIELD,ELEC:CIRCUIT BOARD | 80009 | 255-0678-00 |
| | 343-0119-00 | | | 1 | | | | | | CLAMP,LOOP:0.094 INCH DIA(ATTACHING PARTS)..... | 80009 | 337-2574-01 |
| | 211-0033-00 | | | 1 | | | | | | SCR,ASSEM WSHR:4-40 X 0.312 PNH,STL,CD PL | 83385 | OBD |
| | 210-0803-00 | | | 1 | | | | | | WASHER,FLAT:0.15 ID X 0.032 THK,STL CD(END ATTACHING PARTS)..... | 12327 | OBD |
| | 129-0386-00 | | | 1 | | | | | | POST,ELEC-MECH:HEX,1.593 INCH LONG | 80009 | 129-0386-00 |
| | 210-0586-00 | | | 1 | | | | | | NUT,PL,ASSEM WA:4-40 X 0.25,STL | 83385 | OBD |
| | 343-0013-00 | | | 1 | | | | | | CLAMP,LOOP:0.375 ID,PLASTIC(ATTACHING PARTS)..... | 95987 | 3-8-6B |
| | 211-0033-00 | | | 1 | | | | | | SCR,ASSEM WSHR:4-40 X 0.312 PNH,STL,CD PL | 83385 | OBD |
| | 210-0803-00 | | | 1 | | | | | | WASHER,FLAT:0.15 ID X 0.032 THK,STL CD(END ATTACHING PARTS)..... | 12327 | OBD |
| | 343-0003-00 | | | 1 | | | | | | CLAMP,LOOP:0.25 ID,PLASTIC(ATTACHING PARTS)..... | 95987 | 1-4-6B |
| | 211-0033-00 | | | 1 | | | | | | SCR,ASSEM WSHR:4-40 X 0.312 PNH,STL,CD PL | 83385 | OBD |
| | 210-0801-00 | | | 1 | | | | | | WASHER,FLAT:0.14 ID X 0.025 THK,BRS NI(END ATTACHING PARTS)..... | 12327 | OBD |

328

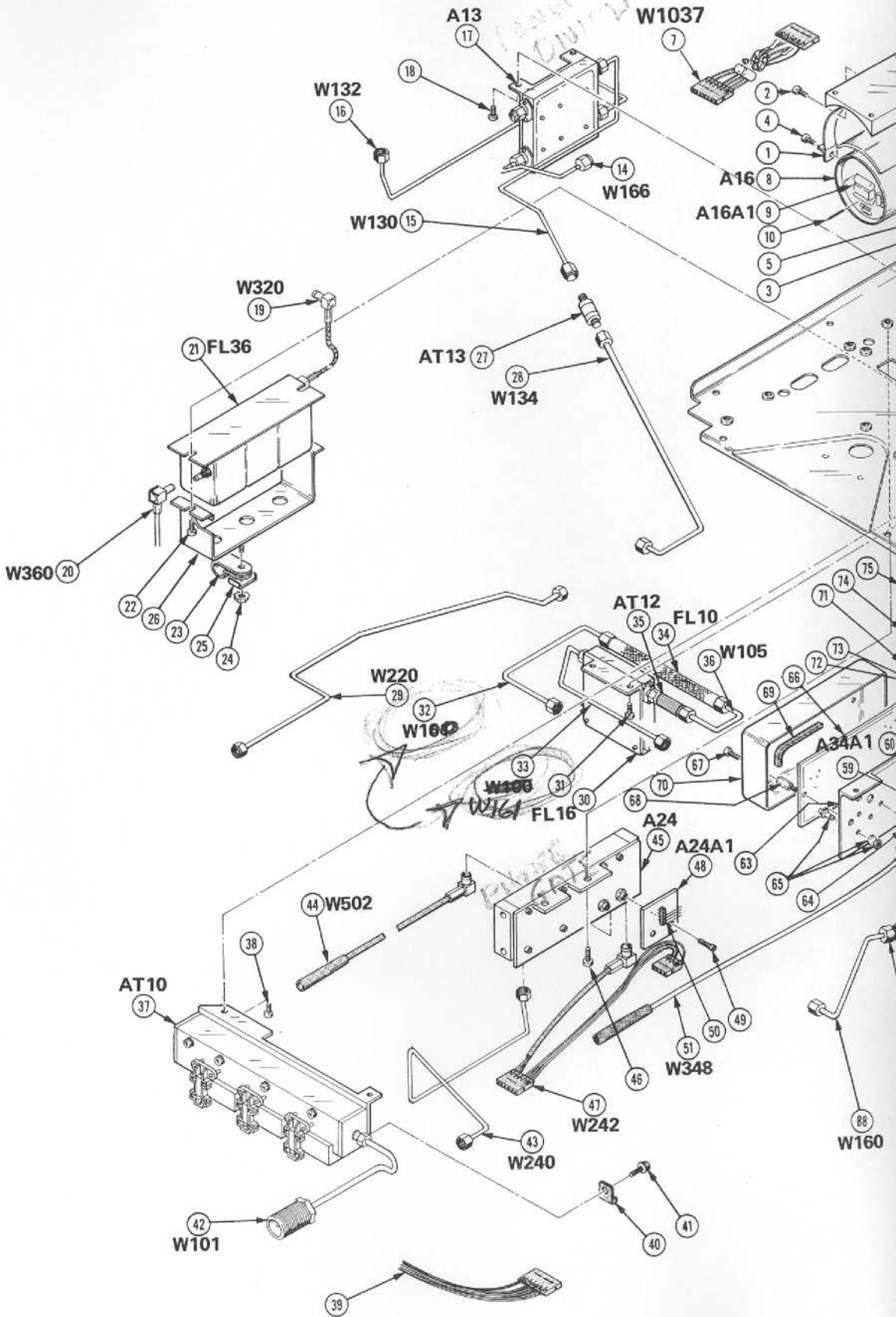
| Fig. & Index No. | Tektronix Part No. | Serial/Model No. | | Qty | | | | | | Name & Description | Mfr Code | Mfr Part Number |
|------------------|--------------------|------------------|--------|-----|---|---|---|---|---|---|----------|-----------------|
| | | Eff | Dscont | | 1 | 2 | 3 | 4 | 5 | | | |
| 5-82 | 343-0013-00 | | | 1 | | | | | | CLAMP, LOOP: 0.375 ID, PLASTIC ***** (ATTACHING PARTS) ***** | 95987 | 3-8-6B |
| -83 | 211-0033-00 | | | 1 | | | | | | SCR, ASSEM WSHR: 4-40 X 0.312 PNH, STL, CD PL | 83385 | OBD |
| -84 | 210-1001-00 | | | 2 | | | | | | WASHER, FLAT: 0.119 ID X 0.375" OD, BRS ***** (END ATTACHING PARTS) ***** | 12360 | OBD |
| -85 | 129-0577-00 | | | 1 | | | | | | SPACER, POST: 0.188 HEX X 1.442" L, BRS | 80009 | 129-0577-00 |
| -86 | 210-0004-00 | | | 1 | | | | | | WASHER, LOCK: #4 INTL, 0.015 THK, STL CD PL | 000BK | OBD |
| -87 | ----- | | | 1 | | | | | | CABLE ASSY, RF: (SEE W344 REPL) | | |
| -88 | ----- | | | 1 | | | | | | CABLE ASSY, RF: (SEE W160 REPL) | | |
| -89 | ----- | | | 1 | | | | | | FILTER, LOW PASS: (SEE FL11 REPL) | | |
| -90 | ----- | | | 1 | | | | | | CABLE ASSY, RF: (SEE W110 REPL) | | |
| -91 | ----- | | | 1 | | | | | | SEC CONV ASSY: (SEE A18 REPL) ***** (ATTACHING PARTS) ***** | | |
| -92 | 211-0008-01 | | | 4 | | | | | | SCREW, MACHINE: 4-40 X 0.250, PNH, STL, CD PL ***** (END ATTACHING PARTS) ***** | 83385 | OBD |
| -93 | ----- | | | - | | | | | | SEC CONV ASSY INCLUDES: | | |
| -94 | 175-2370-00 | | | 1 | | | | | | .CABLE ASSY, RF: (SEE A18W222 REPL) | | |
| -94 | 352-0162-00 | | | 1 | | | | | | .CA ASSY, SP, ELEC: 5.5 INCH LONG | 80009 | 175-2370-00 |
| -95 | ----- | | | 1 | | | | | | .HLDR, TERM CONN: 4 WIRE BLACK | 80009 | 352-0162-00 |
| -96 | ----- | | | 1 | | | | | | .CABLE ASSY, RF: (SEE W140 REPL) | | |
| -96 | ----- | | | 1 | | | | | | CABLE ASSY, RF: (SEE W182 REPL) | | |
| -96 | ----- | | | 1 | | | | | | FILTER, AMP: (SEE A32 REPL) ***** (ATTACHING PARTS) ***** | | |
| -97 | 211-0008-01 | | | 2 | | | | | | SCREW, MACHINE: 4-40 X 0.250, PNH, STL, CD PL ***** (END ATTACHING PARTS) ***** | 83385 | OBD |
| -98 | 337-2575-01 | | | 1 | | | | | | AMP FILTER ASSY INCLUDES: .SHIELD, ELEC: CIRCUIT BOARD ***** (ATTACHING PARTS) ***** | 80009 | 337-2575-01 |
| -99 | 211-0012-01 | | | 2 | | | | | | .SCREW, MACHINE: 4-40 X 0.375, PNH STL CD PL ***** (END ATTACHING PARTS) ***** | 83385 | OBD |
| -100 | 255-0678-00 | | | FT | | | | | | .PLASTIC, EXTR: GROMMET, BLACK | 80009 | 255-0678-00 |
| -101 | 129-0236-00 | | | 2 | | | | | | .SPACER, POST: 0.188 HEX X 0.375 INCH LONG | 06540 | 9726-A-0440 |
| -102 | ----- | | | 1 | | | | | | .CKT BOARD ASSY: 110 I.F. AMP (SEE A23A1 REP) ***** (ATTACHING PARTS) ***** | | |
| -103 | 211-0007-01 | | | 1 | | | | | | .SCREW, MACHINE: 4-40 X 0.188 INCH, PNH STL | 83385 | OBD |
| -104 | 210-1122-00 | | | 1 | | | | | | .WASHER, LOCK: 0.12 ID, DISHED, 0.025 THK ***** (END ATTACHING PARTS) ***** | 86928 | OBD |
| -105 | 214-1611-00 | | | 1 | | | | | | .HEAT SINK, ELEC: 0.280 ID, W/ 4-40 THREADS | 05820 | 260-4T5E-C4631 |
| -106 | 131-0938-00 | | | 2 | | | | | | .CONNECTOR, RCPT: .50 OHM MALE SNAP-ON | 98291 | 051-043-0349 |
| -107 | 407-2148-00 | | | 1 | | | | | | .BRACKET, ANGLE: IF AMPLIFIER, ALUMINUM | 80009 | 407-2148-00 |
| -108 | 175-2369-00 | | | 1 | | | | | | .CA ASSY, SP, ELEC: 5.0 INCH LONG, RIBBON | 80009 | 175-2369-00 |
| -108 | 352-0162-00 | | | 1 | | | | | | .HLDR, TERM CONN: 4 WIRE BLACK | 80009 | 352-0162-00 |
| -109 | ----- | | | 1 | | | | | | FIRST CONV: (SEE A12 REPL) ***** (ATTACHING PARTS) ***** | | |
| -110 | 211-0007-01 | | | 2 | | | | | | SCREW, MACHINE: 4-40 X 0.188 INCH, PNH STL ***** (END ATTACHING PARTS) ***** | 83385 | OBD |
| -110 | ----- | | | 1 | | | | | | PH LOCK 2N L.O.: (SEE A22 REPL) ***** (ATTACHING PARTS) ***** | | |
| -111 | 211-0012-01 | | | 4 | | | | | | SCREW, MACHINE: 4-40 X 0.375, PNH STL CD PL | 83385 | OBD |
| -112 | 211-0628-00 | | | 1 | | | | | | SCREW, MACHINE: 6-32 X 1.125 INCH, PNH, STL ***** (END ATTACHING PARTS) ***** | 83385 | OBD |
| -113 | 200-2611-00 | | | 1 | | | | | | PHASE LOCK 2ND L.O. ASSY INCLUDES: .COVER, 2ND LO: PHASE LOCKED CONTROL ***** (ATTACHING PARTS) ***** | 80009 | 200-2611-00 |
| -114 | 211-0005-00 | | | 14 | | | | | | .SCREW, MACHINE: 4-40 X 0.125 INCH, PNH STL ***** (END ATTACHING PARTS) ***** | 83385 | OBD |
| -115 | ----- | | | 1 | | | | | | .CKT BOARD ASSY: 16-20HHZ PHASE LOCK (SEE A22A1 REPL) ***** (ATTACHING PARTS) ***** | | |
| -116 | 211-0196-00 | | | 8 | | | | | | .SCREW, MACHINE: 4-40 X 0.188, SCH, HEX, STL | 000AH | OBD |
| -117 | 210-1002-00 | | | 8 | | | | | | .WASHER, FLAT: 0.125 ID X 0.25 INCH OD, BRS ***** (END ATTACHING PARTS) ***** | 12327 | OBD |

Replaceable Mechanical Parts—496/496P Service Vol.2

| Fig. & Index No. | Tektronix Part No. | Serial/Model No. | | Qty | 1 | 2 | 3 | 4 | 5 | Name & Description | Mfr Code | Mfr Part Number |
|------------------|--------------------|------------------|--------|-----|---|---|---|---|---|---|----------|-----------------|
| | | Eff | Dscont | | | | | | | | | |
| 5- | ----- | | | - | | | | | | ..CKT BOARD ASSY INCLUDES: | | |
| -118 | 214-0579-00 | | | 12 | | | | | | ..TERM,TEST POINT:BRS CD PL | 80009 | 214-0579-00 |
| -119 | ----- | | | 1 | | | | | | ..TRANSFORMER,RF:(SEE T2092 REPL) ..***** (ATTACHING PARTS)***** | | |
| -120 | 210-0586-00 | | | 1 | | | | | | ..NUT,PL,ASSEM WA:4-40 X 0.25,STL | 83385 | OBD |
| -121 | 210-0894-00 | | | 1 | | | | | | ..WASHER,NONMETAL:0.19 ID X 0.438" OD,PLST | 09422 | OBD |
| -122 | 210-1171-00 | | | 1 | | | | | | ..WSHR,SHOULDERED:0.116 ID X 0.138 INCH OD | 52905 | A7148516P2 |
| -123 | 211-0036-00 | | | 1 | | | | | | ..SCREW,MACHINE:4-40 X 0.500,BDGH,NYL,SLOT ..***** (END ATTACHING PARTS)***** | 26365 | 921-4120-0014 |
| -124 | 131-0372-00 | | | 1 | | | | | | ..CONNECTOR,RCPT.:COAXIAL | 98291 | 51-043-4300 |
| -125 | 210-0261-00 | | | 1 | | | | | | ..TERMINAL,LUG:0.14 ID,PLAIN,BRASS ..***** (ATTACHING PARTS)***** | 80009 | 210-0261-00 |
| -126 | 211-0005-01 | | | 1 | | | | | | ..SCREW,MACHINE:4-40 X 0.125 INCH,PNH STL ..***** (END ATTACHING PARTS)***** | 83385 | OBD |
| -127 | 175-3952-00 | | | 1 | | | | | | ..CA ASSY,SP,ELEC:9.26 AWG,7.5 L,RIBBON | 80009 | 175-3952-00 |
| | 134-0153-00 | | | 2 | | | | | | ..KEY,PLZN CONN:MINI LATCH HSG | 80009 | 134-0153-00 |
| | 352-0162-00 | | | 1 | | | | | | ..HLDR,TERM CONN:4 WIRE BLACK | 80009 | 352-0162-00 |
| | 352-0168-00 | | | 1 | | | | | | ..CONN BODY,PL,EL:10 WIRE BLACK | 80009 | 352-0168-00 |
| -128 | 343-0002-00 | | | 1 | | | | | | ..CLAMP,LOOP:0.188 INCH DIA ..***** (ATTACHING PARTS)***** | 95987 | 3-16-6B |
| -129 | 211-0097-01 | | | 1 | | | | | | ..SCREW,MACHINE:4-40 X 0.312 INCH,PNH STL | 83385 | OBD |
| -130 | 210-1002-00 | | | 1 | | | | | | ..WASHER,FLAT:0.125 ID X 0.25 INCH OD,BRS | 12327 | OBD |
| -131 | 210-0863-00 | | | 1 | | | | | | ..WSHR,LOOP CLAMP:0.187 ID U/W 0.5 W CLP,ST ..***** (END ATTACHING PARTS)***** | 95987 | C191 |
| -132 | 129-0889-00 | | | 8 | | | | | | ..SPACER,POST:0.4 L W/4-40 INT & EXT THD | 80009 | 129-0889-00 |
| -133 | 210-0055-00 | | | 8 | | | | | | ..WASHER,LOCK:SPLIT,0.145 ID X 0.253 OD,S | 83385 | OBD |
| -134 | 380-0664-00 | | | 1 | | | | | | ..HOUSING,2ND LO:PHASE LOCKED CONTROL ..PH LOCK L.O. CONT:(SEE A22A2 REPL) | 80009 | 380-0664-00 |
| -135 | 200-2610-00 | | | 1 | | | | | | ..COVER,2ND LO:PHASELOCKED,AL ..***** (ATTACHING PARTS)***** | 80009 | 200-2610-00 |
| -136 | 211-0256-00 | | | 26 | | | | | | ..SCREW,CAP:2-56 X 0.25,HEX SCH,SST ..***** (END ATTACHING PARTS)***** | 000CY | OBD |
| -137 | 131-2017-00 | | | 2 | | | | | | ..CONN,RCPT,ELEC:SMA FEMALE,FLANGE MOUNT ..***** (ATTACHING PARTS)***** | 24931 | 39JR152-1 |
| -138 | 211-0261-01 | | | 4 | | | | | | ..SCREW,MACHINE:2-56 X 0.125 HEX SCH,SST ..***** (END ATTACHING PARTS)***** | 000CY | OBD |
| -139 | 131-1170-00 | | | 1 | | | | | | ..CONN,RCPT,ELEC:SNAP-ON,MALE | 98291 | 51-045-0249 |
| -140 | ----- | | | 1 | | | | | | ..CKT BOARD ASSY:2182MHZ MICROSTRIP OSC ..(SEE A22A2A1 REPL) ..***** (ATTACHING PARTS)***** | | |
| -141 | 211-0162-01 | | | 6 | | | | | | ..SCREW,MACHINE:2-56 X 0.188 INCH,SCH,SST | 000AH | OBD |
| -142 | 210-1008-00 | | | 6 | | | | | | ..WASHER,FLAT:0.09 ID X 0.188" OD,BRS ..***** (END ATTACHING PARTS)***** | 12360 | OBD |
| -143 | ----- | | | 1 | | | | | | ..CKT BOARD ASSY:2200MHZ REF MIXER(SEE ..A22A2A3 REPL) ..***** (ATTACHING PARTS)***** | | |
| -144 | 211-0162-01 | | | 4 | | | | | | ..SCREW,MACHINE:2-56 X 0.188 INCH,SCH,SST | 000AH | OBD |
| -145 | 210-1008-00 | | | 4 | | | | | | ..WASHER,FLAT:0.09 ID X 0.188" OD,BRS ..***** (END ATTACHING PARTS)***** | 12360 | OBD |
| -146 | ----- | | | 1 | | | | | | ..CKT BOARD ASSY:2200MHZ REF ..(SEE A22A2A2 REPL) ..***** (ATTACHING PARTS)***** | | |
| -147 | 211-0162-01 | | | 4 | | | | | | ..SCREW,MACHINE:2-56 X 0.188 INCH,SCH,SST | 000AH | OBD |
| -148 | 210-1008-00 | | | 4 | | | | | | ..WASHER,FLAT:0.09 ID X 0.188" OD,BRS ..***** (END ATTACHING PARTS)***** | 12360 | OBD |
| -149 | 380-0665-00 | | | 1 | | | | | | ..HOUSING,2ND LO:PHASE LOCKED | 80009 | 380-0665-00 |
| -150 | 348-0750-01 | B010250 | | 2 | | | | | | ..GASKET:PHASE LOCKED 2ND LO ..(496 ONLY) | 80009 | 348-0750-01 |
| | 348-0750-01 | B010155 | | 2 | | | | | | ..GASKET:PHASE LOCKED 2ND LO ..(496P ONLY) | 80009 | 348-0750-01 |
| -151 | 348-0089-00 | | | 7 | | | | | | BUMPER,PLASTIC:BLACK VINYL | 80009 | 348-0089-00 |
| -152 | 441-1443-01 | | | 1 | | | | | | CHASSIS,SA:RADIO FREQUENCY COMPONENTS | 80009 | 441-1443-01 |

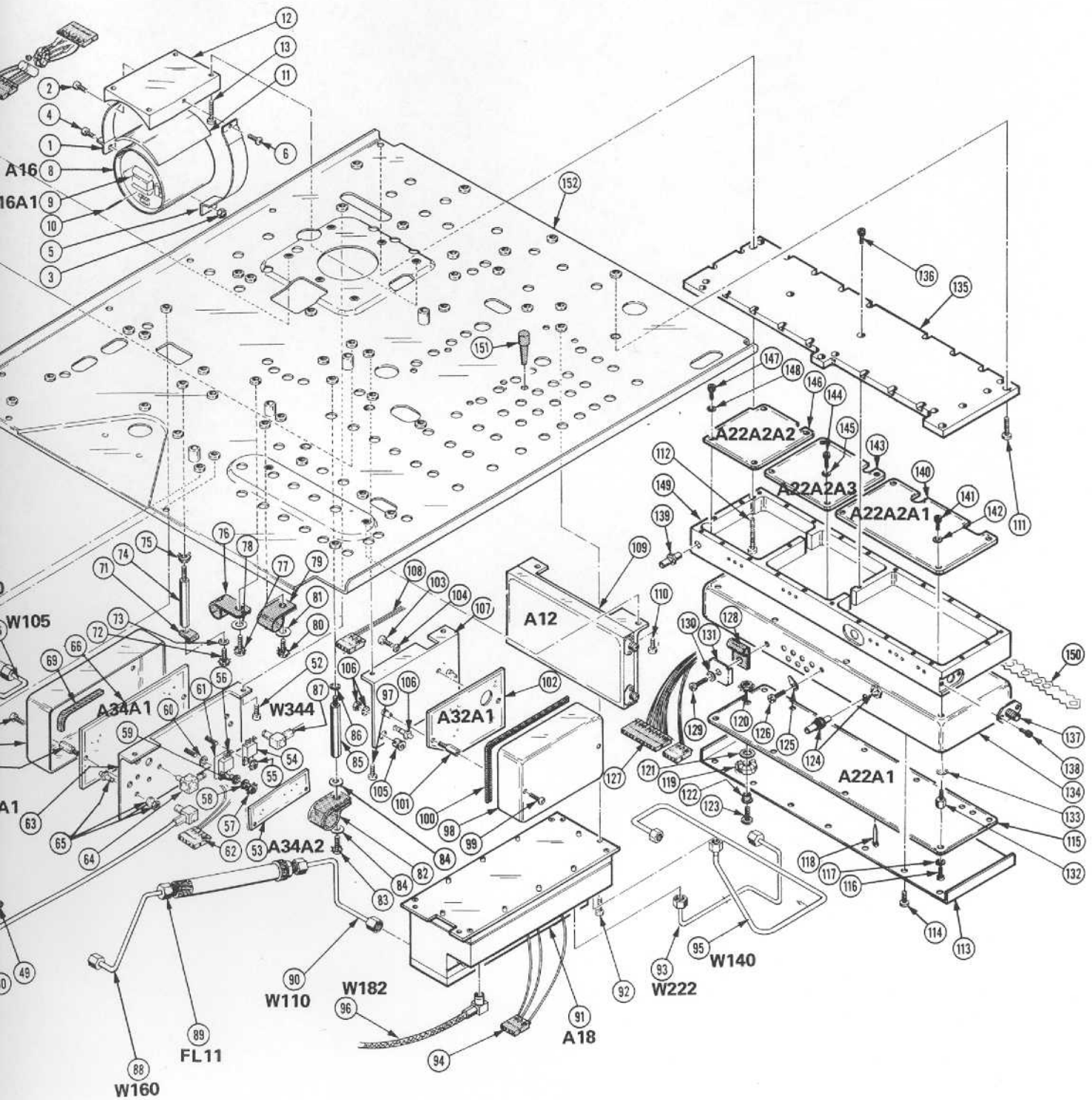
330

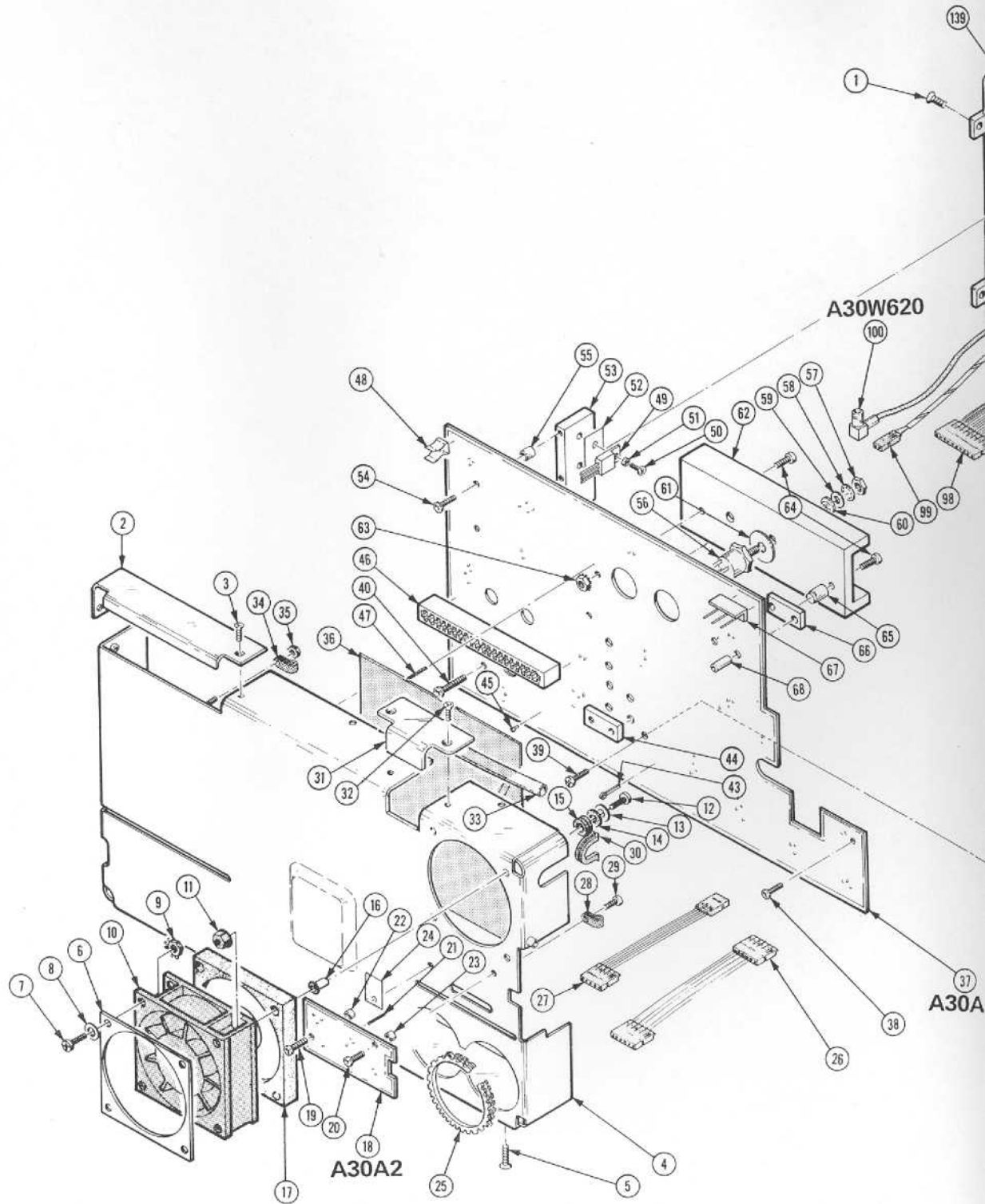
TEK MGR
— CLAUDE GAUTHIER —

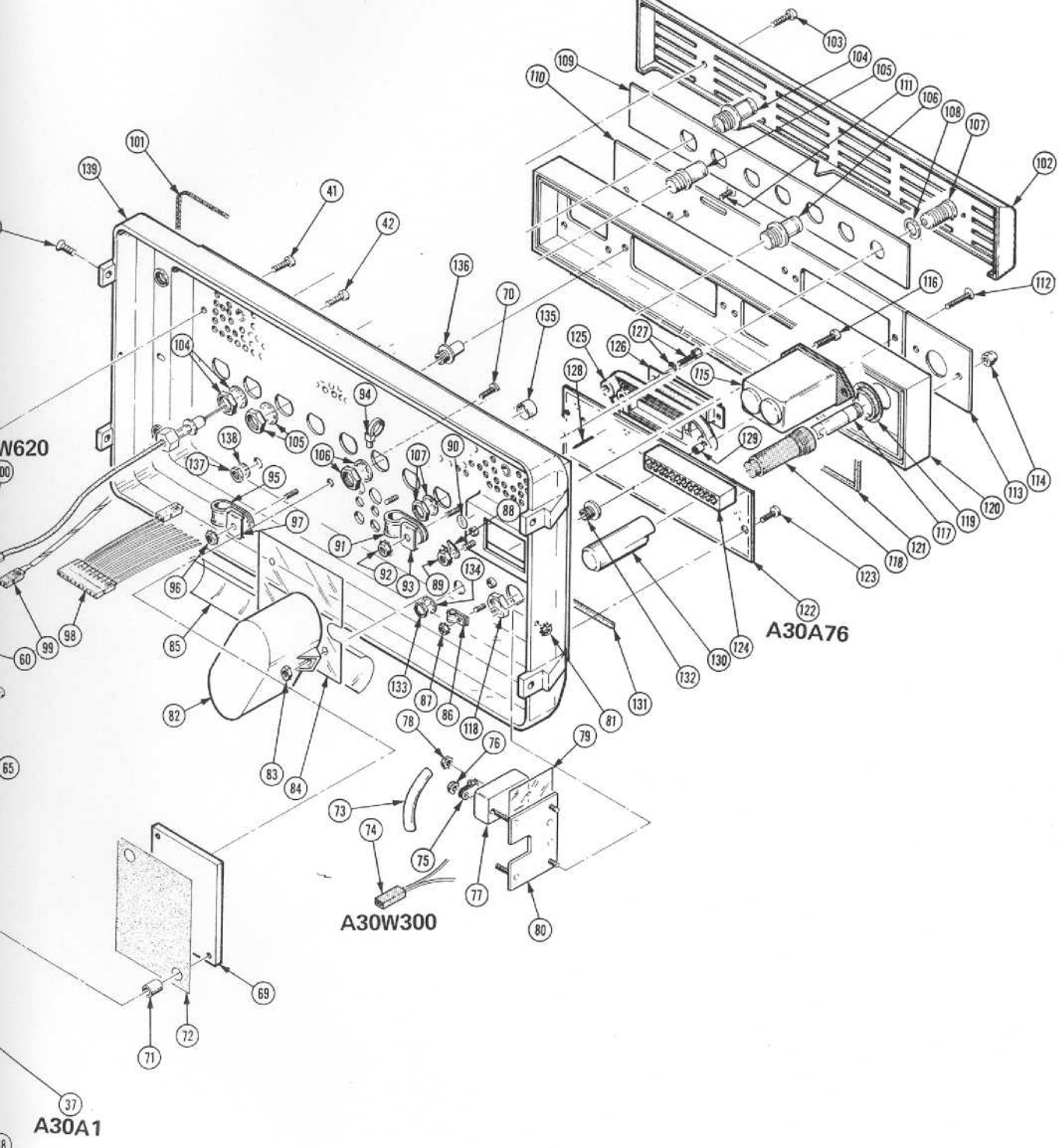


331

REV F







| Fig. & Index No. | Tektronix Part No. | Serial/Model No. | | Qty | 1 2 3 4 5 | Name & Description | Mfr | |
|------------------|--------------------|------------------|---------|-----|-----------|--|-------|-----------------|
| | | Eff | Dscont | | | | Code | Mfr Part Number |
| 6- | ----- | | | 1 | | POWER SUPPLY:HIGH VOLTAGE(SEE A30 REPL) ***** (ATTACHING PARTS)***** | | |
| -1 | 212-0650-00 | | | 4 | | SCREW,MACHINE:10-32 X 0.437" 100 DEG,FLH ***** (END ATTACHING PARTS)***** | 83385 | OBD |
| -2 | 200-2221-00 | | | 1 | | POWER SUPPLY INCLUDES: .COVER,ACCESS:REAR PANEL CONN,BOTTOM ***** (ATTACHING PARTS)***** | 80009 | 200-2221-00 |
| -3 | 211-0105-01 | | | 2 | | .SCREW,MACHINE:4-40 X 0.188,100 DEG,FLH ST ***** (END ATTACHING PARTS)***** | 83385 | OBD |
| -4 | 337-2553-01 | B010100 | B010509 | 1 | | .SHIELD,ELEC:POWER SUPPLY | 80009 | 337-2553-01 |
| | 337-2553-03 | B010510 | | 1 | | .SHIELD,ELEC:POWER SUPPLY ***** (ATTACHING PARTS)***** | | |
| -5 | 211-0101-01 | | | 6 | | .SCREW,MACHINE:4-40 X 0.25,100 DEG,FLH STL ***** (END ATTACHING PARTS)***** | 83385 | OBD |
| -6 | 386-4595-00 | B010100 | B010509 | 2 | | .PLATE,FAN:2.6 SQ X 0.08,LEAD ***** (ATTACHING PARTS)***** | 80009 | 386-4595-00 |
| -7 | 211-0097-00 | B010100 | B010510 | 4 | | .SCREW,MACHINE:4-40 X 0.312 INCH,PNH STL | 83385 | OBD |
| -8 | 210-0851-00 | B010100 | B010510 | 4 | | .WASHER,FLAT:0.119 ID X 0.375 INCH OD,ST | 12327 | OBD |
| -9 | 210-0586-00 | B010100 | B010510 | 4 | | .NUT,PL,ASSEM WA:4-40 X 0.25,STL ***** (END ATTACHING PARTS)***** | 83385 | OBD |
| -10 | ----- | | | 1 | | .FAN,TUBEAXIAL:(SEE A30B100 REPL) | | |
| | 426-1920-00 | B010510 | | 4 | | .MOUNT,RESILIENT:FAN,SILICON RUBBER | 80009 | 407-2927-00 |
| | 407-2927-00 | B010510 | | 2 | | .BRACKET,CMPNT:FAN,ALUMINUM ***** (ATTACHING PARTS)***** | 80009 | 407-2927-00 |
| | 210-0406-00 | B010510 | | 4 | | .NUT,PLAIN,HEX.:4-40 X 0.188 INCH,BRS | 73743 | 12161-50 |
| | 210-0054-00 | B010510 | | 4 | | .WASHER,LOCK:SPLIT,0.118 ID X 0.212"OD S | 83385 | OBD |
| -11 | 220-0665-00 | B010100 | B010509 | 2 | | .NUT,PLAIN,HEX.:SLFLKG,4-40 X 0.25",PLSTC | 23050 | OBD |
| -12 | 211-0016-00 | B010100 | B010509 | 2 | | .SCREW,MACHINE:4-40 X 0.625 INCH,PNH STL | 83385 | OBD |
| -13 | 210-0851-00 | B010100 | B010509 | 2 | | .WASHER,FLAT:0.119 ID X 0.375 INCH OD,ST | 12327 | OBD |
| -14 | 210-1350-00 | B010100 | B010509 | 2 | | .WASHER,FLAT:0.149 ID X 0.062 THK,0.038 ***** (END ATTACHING PARTS)***** | 86928 | 5613-19-62 |
| -15 | 348-0093-00 | B010100 | B010509 | 2 | | .GROMMET,RUBBER:0.375 INCH | 70485 | MOLDCM6368 |
| -16 | 210-0774-01 | B010100 | B010509 | 2 | | .EYELET,METALLIC:0.152 OD X 0.218 L,BRASS | 57771 | OBD |
| -17 | 361-1099-00 | B010100 | B010509 | 1 | | .SPACER,FAN:2.6 SQ X 0.125 THK,FOAM | 80009 | 361-1099-00 |
| -18 | ----- | | | 1 | | .CKT BOARD ASSY:FAN DRIVE(SEE A30A2 REPL) ***** (ATTACHING PARTS)***** | | |
| -19 | 211-0198-00 | | | 1 | | .SCREW,MACHINE:4-40 X 0.438 PNH,STL,POZ | 77250 | OBD |
| -20 | 211-0012-01 | | | 1 | | .SCREW,MACHINE:4-40 X 0.375,PNH STL CD PL ***** (END ATTACHING PARTS)***** | 83385 | OBD |
| -21 | ----- | | | - | | .CKT BOARD ASSY INCLUDES: | | |
| -22 | 131-0608-00 | | | 9 | | .TERMINAL,PIN:0.365 L X 0.025 PH BRZ GOLD | 22526 | 47357 |
| -23 | 361-0552-00 | | | 1 | | .SPACER,SLEEVE:0.093 L X 0.126 ID BRS ID | 76854 | 3-5116-322 |
| -24 | 361-0994-00 | | | 1 | | .SPACER,SLEEVE:0.116 ID X 0.195 INCH LONG | 80009 | 361-0994-00 |
| -25 | 342-0354-00 | | | 2 | | .INSULATOR,PLATE:TRANSISTOR,SILICON RUBBER | 000BB | 7403-10-52 |
| -26 | 255-0334-00 | | | 2 | | .PLASTIC CHANNEL:12.75 X 0.175 X 0.155,NYL | 11897 | 122-37-2500 |
| | 175-3557-00 | | | 1 | | .CA ASSY,SP,ELEC:5,26 AWG,18.0 L,RIBBON | 80009 | 175-3557-00 |
| | 352-0164-03 | | | 1 | | .CONN BODY,PL,EL:6 WIRE ORANGE | 80009 | 352-0164-03 |
| | 352-0164-06 | | | 1 | | .CONN BODY,PL,EL:6 WIRE BLUE | 80009 | 352-0164-06 |
| -27 | 175-3159-00 | | | 1 | | .CA ASSY,SP,ELEC:6.0 INCH LONG,RIBBON | 80009 | 175-3159-00 |
| | 352-0162-04 | | | 1 | | .CONN BODY,PL,EL:4 WIRE YELLOW | 80009 | 352-0162-04 |
| -28 | 343-0144-00 | | | 1 | | .CLAMP,LOOP:0.125 INCH ID,BLK NYLON ***** (ATTACHING PARTS)***** | 95987 | 1-8-2 |
| -29 | 211-0008-01 | | | 1 | | .SCREW,MACHINE:4-40 X 0.250,PNH,STL,CD PL ***** (END ATTACHING PARTS)***** | 83385 | OBD |
| -30 | 348-0171-00 | | | 1 | | .GROMMET,PLASTIC:U-SHAPED | 80009 | 348-0171-00 |
| -31 | 200-2512-00 | | | 1 | | .COVER,ACCESS:LINE VOLTAGE ***** (ATTACHING PARTS)***** | 80009 | 200-2512-00 |
| -32 | 211-0105-01 | | | 2 | | .SCREW,MACHINE:4-40 X 0.188,100 DEG,FLH ST ***** (END ATTACHING PARTS)***** | 83385 | OBD |
| -33 | 162-0018-00 | | | 1 | | .INSUL SLVG,ELEC:0.208 ID,VINYL | 96904 | OBD |
| -34 | 343-0144-00 | | | 2 | | .CLAMP,LOOP:0.125 INCH ID,BLK NYLON ***** (ATTACHING PARTS)***** | 95987 | 1-8-2 |
| -35 | 210-0586-00 | | | 1 | | .NUT,PL,ASSEM WA:4-40 X 0.25,STL ***** (END ATTACHING PARTS)***** | 83385 | OBD |
| -36 | 342-0466-01 | | | 1 | | .INSULATOR,FILM:SHIELD,POLYESTER | 80009 | 342-0466-01 |

335

Replaceable Mechanical Parts—496/496P Service Vol.2

| Fig. & Index No. | Tektronix Part No. | Serial/Model No. | | Qty | 1 2 3 4 5 | | | | | Name & Description | Mfr Code | Mfr Part Number |
|------------------|--------------------|------------------|---------|-----|-----------|--|--|--|--|--|----------|------------------|
| | | Eff | Dscnt | | | | | | | | | |
| 6-37 | ----- | | | 1 | | | | | | .CKT BOARD ASSY:MAIN PWR SUPPLY (SEE A30A1 REPL) | | |
| | | | | - | | | | | |(ATTACHING PARTS)..... | | |
| -38 | 211-0510-00 | | | 3 | | | | | | ..SCREW,MACHINE:6-32 X 0.375,PNH,STL,CD PL | 83385 | OBD |
| -39 | 211-0014-00 | | | 2 | | | | | | ..SCREW,MACHINE:4-40 X 0.50 INCH,PNH STL | 83385 | OBD |
| -40 | 211-0514-00 | | | 2 | | | | | | ..SCREW,MACHINE:6-32 X 0.750 INCH,PNH STL | 83385 | OBD |
| -41 | 211-0012-01 | | | 2 | | | | | | ..SCREW,MACHINE:4-40 X 0.375,PNH STL CD PL | 83385 | OBD |
| -42 | 211-0097-01 | | | 6 | | | | | | ..SCREW,MACHINE:4-40 X 0.312 INCH,PNH STL | 83385 | OBD |
| | | | | - | | | | | |(END ATTACHING PARTS)..... | | |
| -43 | 214-0579-00 | | | - | | | | | | ..CKT BOARD ASSY INCLUDES: | | |
| -44 | 214-2770-00 | | | 3 | | | | | | ..TERM,TEST POINT:BRG CD PL | 80009 | 214-0579-00 |
| -45 | 136-0388-00 | | | 2 | | | | | | ..HEAT SINK,DIODE:(2) DO-4,AL | 80009 | 214-2770-00 |
| -46 | 131-2324-00 | | | 2 | | | | | | ..SOCKET,PIN TERM:U/W 0.04 DIA PIN | 71279 | 450-3704-01-0300 |
| -47 | 131-0608-00 | | | 1 | | | | | | ..CONN,RCPT,ELEC:CKT BD,20/40 CONT,FEMALE | 31781 | 307-040-526-300 |
| -48 | 344-0326-00 | | | 18 | | | | | | ..TERMINAL,PIN:0.365 L X 0.025 PH BRZ GOLD | 22526 | 47357 |
| -49 | ----- | | | 10 | | | | | | ..CLIP,ELECTRICAL:FUSE,BRASS | 75915 | 102071 |
| | | | | 3 | | | | | | ..TRANSISTOR:(SEE A30A1Q2021,A20A1Q2024, ..A30A1Q3022 REPL) | | |
| | | | | - | | | | | |(ATTACHING PARTS)..... | | |
| -50 | 211-0007-01 | | | 3 | | | | | | ..SCREW,MACHINE:4-40 X 0.188 INCH,PNH STL | 83385 | OBD |
| -51 | 210-1171-00 | | | 3 | | | | | | ..WSHR,SHOULDERED:0.116 ID X 0.138 INCH OD | 52905 | A7148516P2 |
| | | | | - | | | | | |(END ATTACHING PARTS)..... | | |
| 52 | 342-0354-00 | | | 3 | | | | | | ..INSULATOR,PLATE:TRANSISTOR,SILICON RUBBE | 000BB | 7403-10-52 |
| 53 | 214-2863-00 | | | 1 | | | | | | ..HEAT SINK,XSTR: | 80009 | 214-2863-00 |
| | | | | - | | | | | |(ATTACHING PARTS)..... | | |
| 54 | 211-0014-00 | | | 2 | | | | | | ..SCREW,MACHINE:4-40 X 0.50 INCH,PNH STL | 83385 | OBD |
| | | | | - | | | | | |(END ATTACHING PARTS)..... | | |
| 55 | 361-0345-00 | | | 2 | | | | | | ..SPACER,SLEEVE:0.17 L X 0.125 ID,ALUMINUM | 80009 | 361-0345-00 |
| 56 | ----- | | | 2 | | | | | | ..TRANSISTOR:(SEE A30A1Q20,A30A1Q2071 REPL | | |
| | | | | - | | | | | |(ATTACHING PARTS)..... | | |
| 57 | 210-0455-00 | | | 2 | | | | | | ..NUT,PLAIN,HEX.:0.25-28 X 0.375 INCH,BRAS | 73743 | 3089-402 |
| 58 | 210-0046-00 | B010100 | B010119 | 2 | | | | | | ..WASHER,LOCK:0.261 ID,INTL,0.018 THK,BRS | 78189 | 1214-05-00-0541C |
| | 210-0011-00 | B010120 | | 2 | | | | | | ..WASHER,LOCK:0.25 ID,INTL,0.025 THK STL | 000BK | OBD |
| 59 | 210-1027-00 | B010100 | B010119 | 2 | | | | | | ..WASHER,FLAT:0.252 ID X 0.624 THK X 0.40 | 80009 | 210-1027-00 |
| 60 | 210-1355-00 | | | 2 | | | | | | ..WASHER,SHLDR:0.255 ID X 0.6 OD X 0.19 TH | 80009 | 210-1355-00 |
| 61 | 342-0517-00 | | | 2 | | | | | | ..INSULATOR,WSHR:0.26 ID X 1.0 OD,MICA | 13103 | 56-02-28 |
| | | | | - | | | | | |(END ATTACHING PARTS)..... | | |
| 62 | 214-2972-01 | | | 1 | | | | | | ..HEAT SINK,XSTR: | 80009 | 214-2972-01 |
| | | | | - | | | | | |(ATTACHING PARTS)..... | | |
| 63 | 210-0457-00 | | | 1 | | | | | | ..NUT,PL,ASSEM WA:6-32 X 0.312,STL CD PL | 83385 | OBD |
| 64 | 211-0507-01 | | | 2 | | | | | | ..SCREW,MACHINE:6-32 X 0.312 INCH,PNH STL | 83385 | OBD |
| | | | | - | | | | | |(END ATTACHING PARTS)..... | | |
| 65 | 129-0575-00 | | | 2 | | | | | | ..SPACER,POST:0.312 L,W/6-32 THD,BRS,0.31 | 80009 | 129-0575-00 |
| 66 | 361-0933-00 | | | 3 | | | | | | ..SPACER,DIODE:0.188 X 0.375 X 0.95 | 80009 | 361-0933-00 |
| 67 | 131-2250-00 | | | 1 | | | | | | ..CONN,RCPT,ELEC:CKT BD,5 MALE | 27264 | 09-61-1053 |
| 68 | 385-0100-00 | | | 1 | | | | | | ..SPACER,POST:0.5 L W/6-32 THD THRU,NYLON | 80009 | 385-0100-00 |
| 69 | 214-3269-00 | | | 1 | | | | | | ..HEAT SINK,DIODE: | 80009 | 214-3269-00 |
| | | | | - | | | | | |(ATTACHING PARTS)..... | | |
| 70 | 211-0012-01 | | | 1 | | | | | | ..SCREW,MACHINE:4-40 X 0.375,PNH STL CD PL | 83385 | OBD |
| | | | | - | | | | | |(END ATTACHING PARTS)..... | | |
| 71 | 361-0917-00 | | | 2 | | | | | | ..SPACER,SLEEVE:0.141 ID X 0.25 INCH LONG | 80009 | 361-0917-00 |
| 72 | 342-0566-00 | | | 1 | | | | | | ..INSULATOR,PLATE:HEAT SINK,SILICON RUBBER | 80009 | 342-0566-00 |
| 73 | 162-0039-00 | | | 1 | | | | | | ..INSUL SLVG,ELEC:0.133 ID X 0.153 OD | 56352 | OBD |
| 74 | ----- | | | 1 | | | | | | ..WIRE SET,ELEC:(SEE A30W300 REPL) | | |
| 75 | 343-0144-00 | | | 2 | | | | | | ..CLAMP,LOOP:0.125 INCH ID,BLK NYLON | 95987 | 1-8-2 |
| | | | | - | | | | | |(ATTACHING PARTS)..... | | |
| 76 | 210-0586-00 | | | 2 | | | | | | ..NUT,PL,ASSEM WA:4-40 X 0.25,STL | 83385 | OBD |
| | | | | - | | | | | |(END ATTACHING PARTS)..... | | |
| 77 | ----- | | | 2 | | | | | | ..SWITCH,POWER:(SEE A30S300 REPL) | | |
| | | | | - | | | | | |(ATTACHING PARTS)..... | | |
| 78 | 210-0586-00 | | | 2 | | | | | | ..NUT,PL,ASSEM WA:4-40 X 0.25,STL | 83385 | OBD |
| | | | | - | | | | | |(END ATTACHING PARTS)..... | | |
| 79 | 342-0460-00 | | | 1 | | | | | | ..INSULATOR,PLATE:POWER SWITCH,PLASTIC | 80009 | 342-0460-00 |

336

| Fig. & Index No. | Tektronix Part No. | Serial/Model No. | | Qty | 1 | 2 | 3 | 4 | 5 | Name & Description | Mfr Code | Mfr Part Number |
|------------------|--------------------|------------------|---------|-----|---|---|---|---|---|---|----------|------------------|
| | | Eff | Dscont | | | | | | | | | |
| 6-80 | 386-4102-00 | | | 1 | | | | | | .PLATE,MOUNTING:POWER SWITCH ***** (ATTACHING PARTS) ***** | 80009 | 386-4102-00 |
| -81 | 210-0586-00 | | | 2 | | | | | | .NUT,PL,ASSEM WA:4-40 X 0.25,STL ***** (END ATTACHING PARTS) ***** | 83385 | OBD |
| -82 | ----- | | | 1 | | | | | | .FILTER,RFI:(SEE A30FL302 REPL) ***** (ATTACHING PARTS) ***** | | |
| -83 | 210-0586-00 | | | 2 | | | | | | .NUT,PL,ASSEM WA:4-40 X 0.25,STL ***** (END ATTACHING PARTS) ***** | 83385 | OBD |
| -84 | 342-0570-00 | | | 1 | | | | | | .INSULATOR,FILM:TOROID ASSY | 80009 | 342-0570-00 |
| -85 | 342-0439-00 | | | 1 | | | | | | .INSULATOR,PLATE:CIRCUIT BOARD | 80009 | 342-0439-00 |
| -86 | 343-0144-00 | | | 3 | | | | | | .CLAMP,LOOP:0.125 INCH ID,BLK NYLON ***** (ATTACHING PARTS) ***** | 95987 | 1-8-2 |
| -87 | 210-0586-00 | | | 3 | | | | | | .NUT,PL,ASSEM WA:4-40 X 0.25,STL ***** (END ATTACHING PARTS) ***** | 83385 | OBD |
| -88 | 210-0202-00 | | | 1 | | | | | | .TERMINAL,LUG:0.146 ID,LOCKING,BRZ TINNED ***** (ATTACHING PARTS) ***** | 78189 | 2104-06-00-2520N |
| -89 | 210-0457-00 | | | 1 | | | | | | .NUT,PL,ASSEM WA:6-32 X 0.312,STL CD PL ***** (END ATTACHING PARTS) ***** | 83385 | OBD |
| -90 | 334-3379-00 | | | 1 | | | | | | .MARKER,IDENT:MARKED GROUND SYMBOL | 80009 | 334-3379-00 |
| -91 | 343-0004-00 | | | 1 | | | | | | .CLAMP,LOOP:0.312 INCH DIAMETER,PLSTC ***** (ATTACHING PARTS) ***** | 95987 | 5-16-6B |
| -92 | 210-0586-00 | | | 1 | | | | | | .NUT,PL,ASSEM WA:4-40 X 0.25,STL | 83385 | OBD |
| -93 | 210-0863-00 | | | 1 | | | | | | .WSHR,LOOP CLAMP:0.187 ID U/W 0.5 W CLP,ST ***** (END ATTACHING PARTS) ***** | 95987 | C191 |
| -94 | 343-0549-00 | | | 1 | | | | | | .STRAP,TIEDOWN:0.091 W X 3.62 INCH LONG | 06383 | PLT1M |
| -95 | 343-0003-00 | | | 1 | | | | | | .CLAMP,LOOP:0.25 ID,PLASTIC ***** (ATTACHING PARTS) ***** | 95987 | 1-4-6B |
| -96 | 210-0586-00 | | | 1 | | | | | | .NUT,PL,ASSEM WA:4-40 X 0.25,STL | 83385 | OBD |
| -97 | 210-0863-00 | | | 1 | | | | | | .WSHR,LOOP CLAMP:0.187 ID U/W 0.5 W CLP,ST ***** (END ATTACHING PARTS) ***** | 95987 | C191 |
| -98 | 175-4131-00 | | | 1 | | | | | | .CA ASSY,SP,ELEC:13.0 INCH LONG,RIBBON | 80009 | 175-4131-00 |
| | 352-0169-02 | | | 1 | | | | | | .CONN BODY,PL,EL:2 WIRE RED | 80009 | 352-0169-00 |
| | 352-0168-00 | | | 1 | | | | | | .CONN BODY,PL,EL:10 WIRE BLACK | 80009 | 352-0168-00 |
| -99 | 175-4189-00 | | | 1 | | | | | | .CABLE ASSY,RF:50 OHM COAX,7.0 INCH LONG | 80009 | 175-4189-00 |
| | 352-0169-05 | | | 1 | | | | | | .CONN BODY,PL,EL:2 WIRE GREEN | 80009 | 352-0169-05 |
| -100 | ----- | | | 1 | | | | | | .CABLE ASSY,RF:(SEE A30W620 REPL) | | |
| -101 | 337-0925-05 | | | 1 | | | | | | .SHLD,GSKT,ELEK:30.75 INCH LONG | 80009 | 337-0925-05 |
| -102 | 378-0112-00 | | | 1 | | | | | | .GRILLE,PLASTIC: ***** (ATTACHING PARTS) ***** | 80009 | 378-0112-00 |
| -103 | 211-0601-00 | | | 2 | | | | | | .SCR,ASSEM WSHR:6-32 X 0.312,DOUBLE SEMS ***** (END ATTACHING PARTS) ***** | 83385 | OBD |
| -104 | 131-0818-00 | | | 1 | | | | | | .CONNECTOR,RCPT,:BNC,FEMALE | 91836 | KC-19-153 |
| -105 | 131-0106-02 | | | 4 | | | | | | .CONNECTOR,RCPT,:BNC | 24931 | 28JR178-1 |
| -106 | 131-0274-00 | | | 1 | | | | | | .CONNECTOR,RCPT,:BNC | 91836 | KC79-67 |
| -107 | 131-0771-00 | | | 1 | | | | | | .CONN,RCPT,ELEC:4 CONT,QUICK DISCONNECT | 91836 | 1904-2M58 |
| -108 | 361-1045-00 | | | 1 | | | | | | .SPACER,SLEEVE:0.368 ID X 0.125 | 80009 | 361-1045-00 |
| -109 | 333-2799-00 | | | 1 | | | | | | .PANEL,REAR: | 80009 | 333-2799-00 |
| -110 | 333-2647-01 | B010100 | B010439 | 1 | | | | | | .PANEL,REAR: | 80009 | 333-2647-01 |
| | 333-2647-03 | B010440 | | 1 | | | | | | .PANEL,REAR: ***** (ATTACHING PARTS) ***** | 80009 | 333-2647-03 |
| -111 | 211-0038-00 | | | 2 | | | | | | .SCREW,MACHINE:4-40 X 0.312,FLH,100 DEG | 83385 | OBD |
| -112 | 211-0086-00 | | | 2 | | | | | | .SCREW,MACHINE:4-40 X 0.75 100° DEG,FLH ST ***** (END ATTACHING PARTS) ***** | 83385 | OBD |
| -113 | 386-3948-01 | | | 1 | | | | | | .PANEL,V SEL: ***** (ATTACHING PARTS) ***** | 80009 | 386-3948-01 |
| -114 | 220-0601-00 | | | 2 | | | | | | .NUT,PLAIN,CAP.:4-40 X 0.25 INCH HEX,BRS ***** (END ATTACHING PARTS) ***** | 73743 | 93261-03 |
| -115 | ----- | | | 1 | | | | | | .FILTER,RFI:(SEE A30FL301 REPL) ***** (ATTACHING PARTS) ***** | | |
| -116 | 211-0012-01 | | | 2 | | | | | | .SCREW,MACHINE:4-40 X 0.375,PNH STL CD PL ***** (END ATTACHING PARTS) ***** | 83385 | OBD |
| -117 | 200-2264-00 | | | 1 | | | | | | .CAP.,FUSEHOLDER:3AG FUSES | S3629 | FEK 031 1666 |
| -118 | 204-0833-00 | | | 1 | | | | | | .BODY,FUSEHOLDER:3AG & 5 X 20MM FUSES | S3629 | 031.1653(MDLFEU) |
| -119 | 348-0655-00 | | | 1 | | | | | | .GASKET,FUSE: | 80009 | 348-0655-00 |

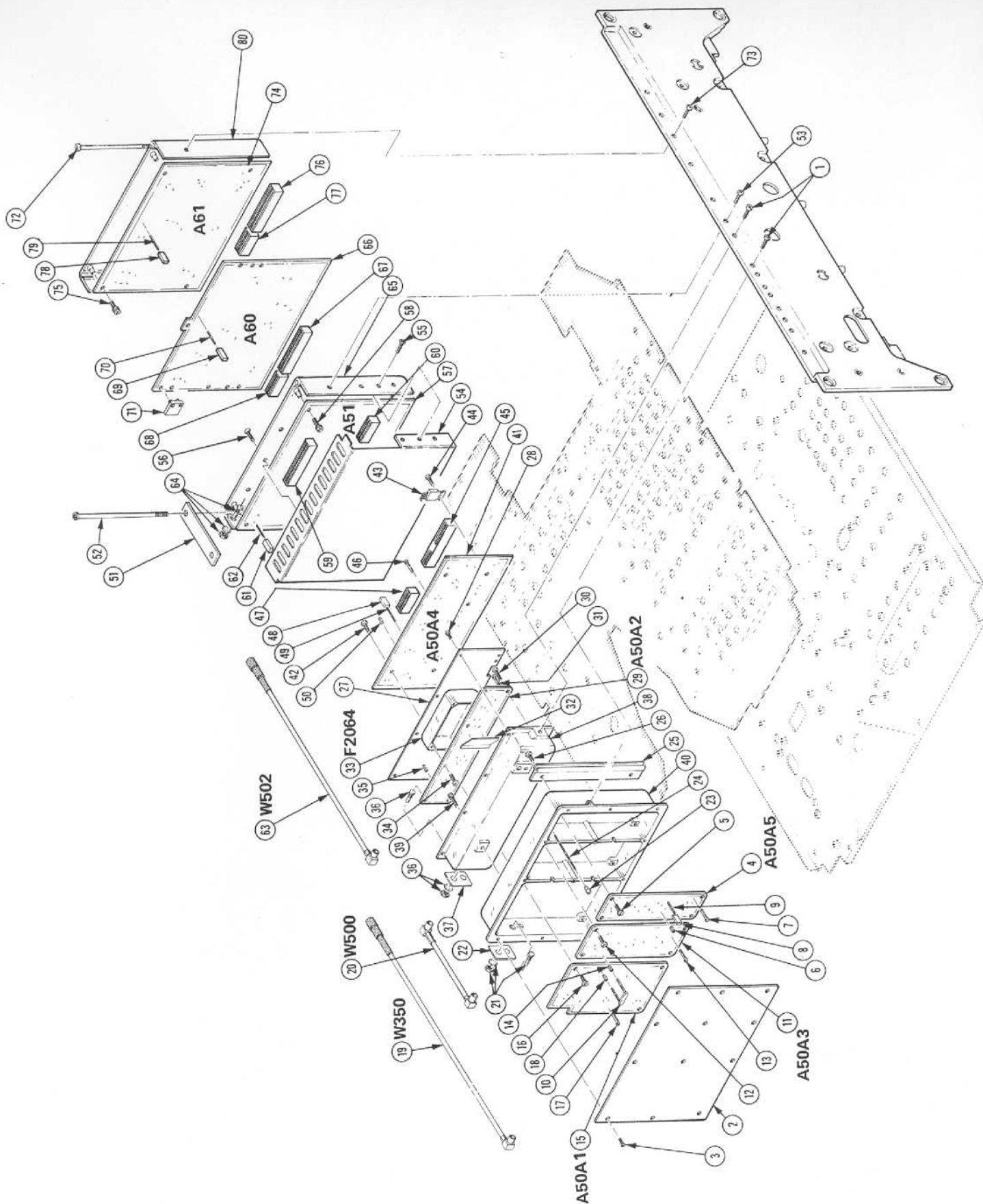
| Fig. & Index No. | Tektronix Part No. | Serial/Model No. | | Qty | 1 | 2 | 3 | 4 | 5 | Name & Description | Mfr Code | Mfr Part Number |
|------------------|--------------------|------------------|--------|-----|---|---|---|---|---|--|----------|------------------|
| | | Eff | Dscont | | | | | | | | | |
| 6-120 | 380-0629-00 | | | 1 | | | | | | .HOUSING,REAR:CIRCUIT BOARD | 80009 | 380-0629-00 |
| -121 | 354-0607-00 | | | 1 | | | | | | .PACKING,PREFMD:7,315 ID X 0.062 OD | 80009 | 354-0607-00 |
| -122 | ----- | | | 1 | | | | | | .CKT BOARD ASSY:ACCESS INTFC(SEE A30A76 RE(ATTACHING PARTS)..... | | |
| -123 | 211-0116-00 | | | 2 | | | | | | .SCR,ASSEM WSHR:4-40 X 0.312 INCH,PNH BRS(END ATTACHING PARTS)..... | 83385 | OBD |
| | ----- | | | - | | | | | | .CKT BOARD ASSY INCLUDES: | | |
| -124 | 131-2323-00 | | | 1 | | | | | | ..CONN,RCPT,ELEC:CKT BD,12/24 CONT,FEMALE | 31781 | 307-0204-526-300 |
| -125 | 348-0599-00 | | | 1 | | | | | | ..SEAL,CONNECTOR:ACCESSORY BUS,VINYL | 80009 | 348-0599-00 |
| -126 | 131-1437-00 | | | 1 | | | | | | ..CONN,RCPT,ELEC:25 FEMALE CONTACT(ATTACHING PARTS)..... | 71468 | DB25S-F179 |
| -127 | 131-0890-00 | | | 2 | | | | | | ..LOCK,CONNECTOR:4-40 X 0.312 L(END ATTACHING PARTS)..... | 71468 | D 20418-2 |
| -128 | 131-0608-00 | | | 4 | | | | | | ..TERMINAL,PIN:0.365 L X 0.025 PH BRZ GOLD | 22526 | 47357 |
| -129 | 361-1044-00 | | | 2 | | | | | | ..SPACER,SLEEVE:0.125 ID X 0.232 INCH LONG | 80009 | 361-1044-00 |
| -130 | 200-0237-04 | | | 1 | | | | | | .COVER,FUSE HLDR:PLASTIC,SAFETY CONTROLLED | 80009 | 200-0237-04 |
| -131 | 252-0714-00 | | | 1 | | | | | | .RUBBER,ROD:0.062 X 0.094 SILICON SPONGE | 80009 | 252-0714-00 |
| -132 | 129-0815-00 | | | 2 | | | | | | .SPACER,POST:0.23 LONG X 0.375 DIA(ATTACHING PARTS)..... | 80009 | 129-0815-00 |
| -133 | 210-0583-00 | | | 2 | | | | | | .NUT,PLAIN,HEX:0.25-32 X 0.312 INCH,BRS | 73743 | 2X20317-402 |
| -134 | 210-0046-00 | | | 2 | | | | | | .WASHER,LOCK:0.261 ID,INTL,0.018 THK,BRS(END ATTACHING PARTS)..... | 78189 | 1214-05-00-0541C |
| -135 | 348-0056-00 | | | 2 | | | | | | .GROMMET,PLASTIC:0.375 INCH DIA | 80009 | 348-0056-00 |
| -136 | 129-0815-01 | | | 2 | | | | | | .SPACER,POST:0.24 LONG X 0.375 DIA(ATTACHING PARTS)..... | 80009 | 129-0815-01 |
| -137 | 210-0583-00 | | | 2 | | | | | | .NUT,PLAIN,HEX:0.25-32 X 0.312 INCH,BRS | 73743 | 2X20317-402 |
| -138 | 210-0046-00 | | | 2 | | | | | | .WASHER,LOCK:0.261 ID,INTL,0.018 THK,BRS(END ATTACHING PARTS)..... | 78189 | 1214-05-00-0541C |
| -139 | 426-1466-03 | | | 1 | | | | | | .FRAME SECT,SA:REAR | 80009 | 426-1466-03 |

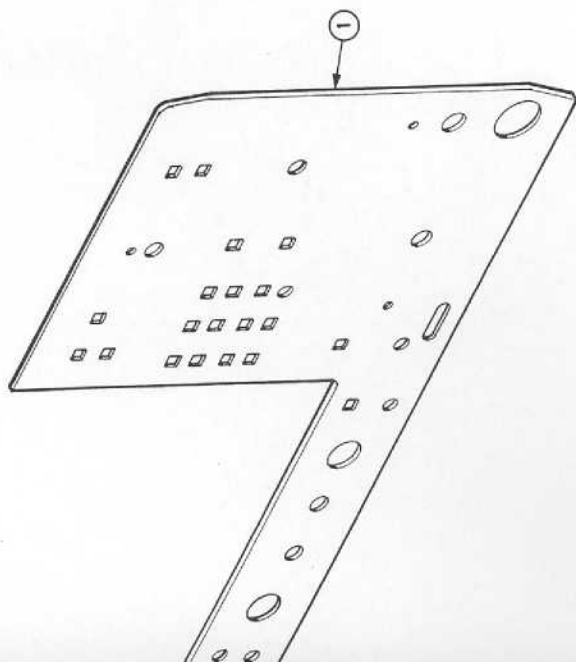
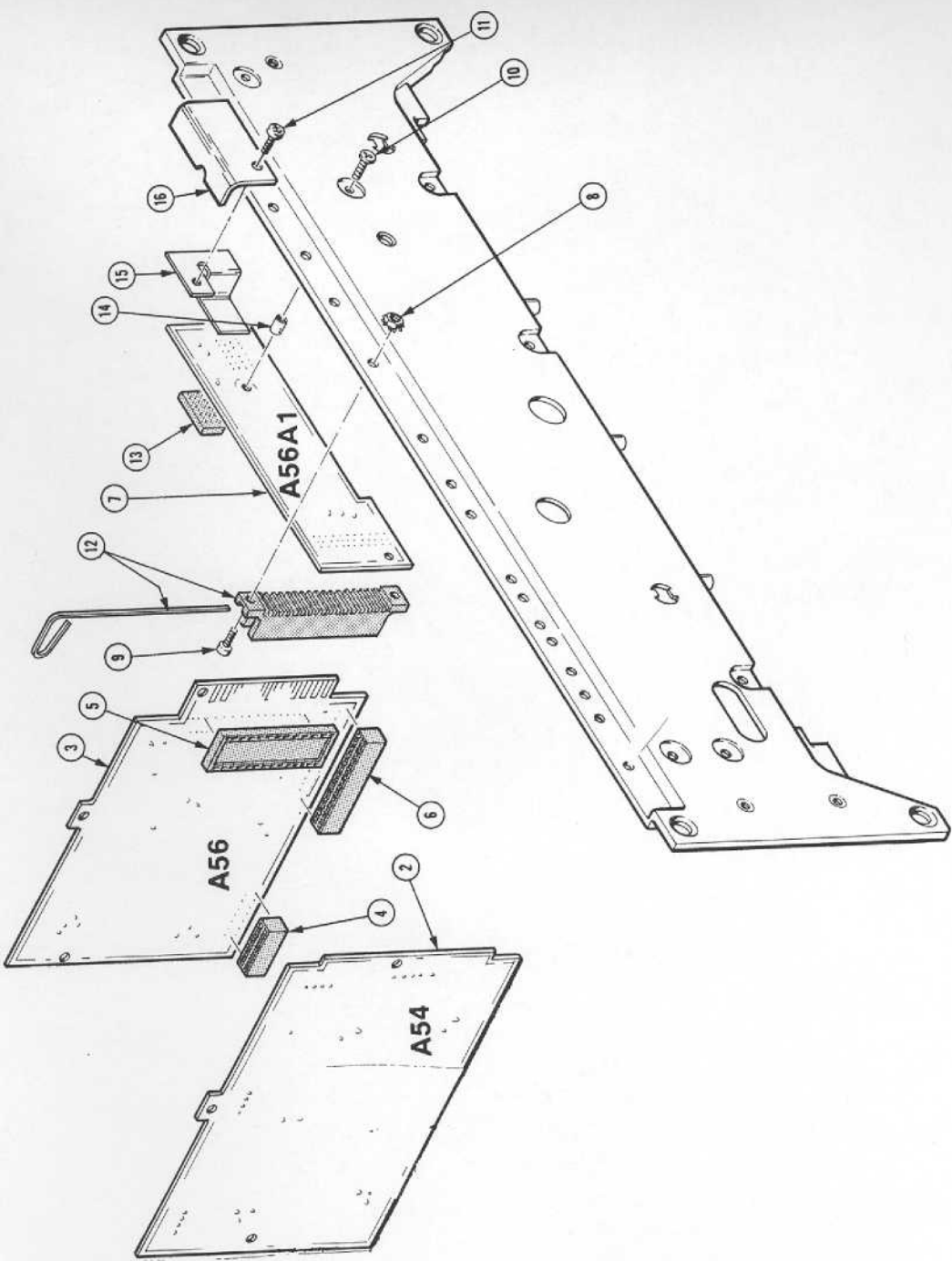
338

| Fig. & Index No. | Tektronix Part No. | Serial/Model No. | | Qty | Name & Description | | | | | Mfr Code | Mfr Part Number |
|------------------|--------------------|------------------|---------|-----|---|---|---|---|---|----------|-----------------|
| | | Eff | Dscont | | 1 | 2 | 3 | 4 | 5 | | |
| 7- | ----- | | | 1 | PHASE LOCK ASSY:(SEE A50 REPL) ***** (ATTACHING PARTS) ***** | | | | | | |
| -1 | 211-0507-01 | | | 2 | SCREW,MACHINE:6-32 X 0.312 INCH,PNH STL ***** (END ATTACHING PARTS) ***** | | | | | 83385 | OBD |
| -2 | 200-2242-00 | | | 1 | .PHASE LOCK ASSY INCLUDES: .COV,PH LOCK SYN:FRONT ***** (ATTACHING PARTS) ***** | | | | | 80009 | 200-2242-00 |
| -3 | 211-0087-01 | | | 12 | .SCREW,MACHINE:2-56 X 0.188,FLH 82 DEG,STL ***** (END ATTACHING PARTS) ***** | | | | | 83385 | OBD |
| -4 | ----- | | | 1 | .CKT BOAD ASSY:CONTROLLED OSC(SEE A50A5 RE ***** (ATTACHING PARTS) ***** | | | | | | |
| -5 | 211-0007-00 | | | 4 | .SCREW,MACHINE:4-40 X 0.188 INCH,PNH STL ***** (END ATTACHING PARTS) ***** | | | | | 83385 | OBD |
| -6 | 136-0263-04 | | | 4 | .SOCKET,PIN TERM:FOR 0.025 INCH SQUARE PI | | | | | 22526 | 75377-001 |
| -7 | 214-0579-00 | | | 3 | .TERM,TEST POINT:BRS CD PL | | | | | 80009 | 214-0579-00 |
| -8 | 131-0993-00 | | | 2 | .BUS,CONDUCTOR:2 WIRE BLACK | | | | | 00779 | 850100-01 |
| -9 | 131-0608-00 | | | 7 | .TERMINAL,PIN:0.365 L X 0.025 PH BRZ GOLD | | | | | 22526 | 47357 |
| -10 | 131-1612-03 | | | 3 | .TERM,FEEDTHRU:U-SHP,0.3 L X 0.35 L X 0.25 | | | | | 80009 | 131-1612-03 |
| -10 | 131-1612-06 | | | 3 | .TERM,FEEDTHRU:U-SHP,0.55 L X 0.35W | | | | | 80009 | 131-1612-06 |
| -11 | ----- | | | 1 | .CKT BOARD ASSY:OFFSET MIXER(SEE A50A3 REP ***** (ATTACHING PARTS) ***** | | | | | | |
| -12 | 211-0007-01 | | | 4 | .SCREW,MACHINE:4-40 X 0.188 INCH,PNH STL ***** (END ATTACHING PARTS) ***** | | | | | 83385 | OBD |
| -13 | 214-0579-00 | | | 2 | .TERM,TEST POINT:BRS CD PL | | | | | 80009 | 214-0579-00 |
| -14 | 136-0263-04 | | | 6 | .SOCKET,PIN TERM:FOR 0.025 INCH SQUARE PI | | | | | 22526 | 75377-001 |
| -15 | ----- | | | 1 | .CKT BOARD ASSY:SYNTHESIZER(SEE A50A1 REPL ***** (ATTACHING PARTS) ***** | | | | | | |
| -16 | 211-0007-01 | | | 3 | .SCREW,MACHINE:4-40 X 0.188 INCH,PNH STL ***** (END ATTACHING PARTS) ***** | | | | | 83385 | OBD |
| -17 | 214-0579-00 | | | 3 | .TERM,TEST POINT:BRS CD PL | | | | | 80009 | 214-0579-00 |
| -18 | 136-0263-04 | | | 6 | .SOCKET,PIN TERM:FOR 0.025 INCH SQUARE PI | | | | | 22526 | 75377-001 |
| -19 | ----- | | | 1 | .CABLE ASSY,RF:(SEE W350 REPL) | | | | | | |
| -20 | ----- | | | 1 | .CABLE ASSY,RF:(SEE W500 REPL) | | | | | | |
| -21 | 131-0156-00 | | | 2 | .CONNECTOR,RCPT,.:COAXIAL | | | | | 98291 | 051-043-0669 |
| -22 | 334-3654-00 | | | 1 | .PLATE,IDENT:MARKED O LOCK SYNTH,FRONT | | | | | 80009 | 334-3654-00 |
| -23 | 342-0474-00 | | | 20 | .INSUL HALF FEED:DELTRIN | | | | | 80009 | 342-0474-00 |
| -24 | 131-0593-00 | | | 1 | .CONTACT,ELEC:1.15 INCH LONG | | | | | 22526 | 47354 |
| -25 | 407-2312-00 | | | 1 | .BRACKET,SYNTHZR:PHASE LOCK ***** (ATTACHING PARTS) ***** | | | | | 80009 | 407-2312-00 |
| -26 | 211-0007-01 | | | 2 | .SCREW,MACHINE:4-40 X 0.188 INCH,PNH STL ***** (END ATTACHING PARTS) ***** | | | | | 83385 | OBD |
| -27 | 200-2243-00 | | | 1 | .COV,PH LOCK SYN:REAR ***** (ATTACHING PARTS) ***** | | | | | 80009 | 200-2243-00 |
| -28 | 211-0087-01 | | | 9 | .SCREW,MACHINE:2-56 X 0.188,FLH 82 DEG,STL ***** (END ATTACHING PARTS) ***** | | | | | 83385 | OBD |
| -29 | ----- | | | 1 | .CKT BOARD ASSY:STROBE DRIVER(SEE A50A2 RE ***** (ATTACHING PARTS) ***** | | | | | | |
| -30 | 211-0007-01 | | | 4 | .SCREW,MACHINE:4-40 X 0.188 INCH,PNH STL ***** (END ATTACHING PARTS) ***** | | | | | 83385 | OBD |
| -31 | 214-0579-00 | | | 2 | .TERM,TEST POINT:BRS CD PL | | | | | 80009 | 214-0579-00 |
| -32 | 214-3039-00 | B010100 | B010199 | 1 | .SPRING,GROUND: | | | | | 80009 | 214-3039-00 |
| -33 | ----- | | | 1 | .FILTER,BANDPASS:(SEE FL2064 REPL) ***** (ATTACHING PARTS) ***** | | | | | | |
| -34 | 211-0007-01 | | | 2 | .SCREW,MACHINE:4-40 X 0.188 INCH,PNH STL ***** (END ATTACHING PARTS) ***** | | | | | 83385 | OBD |
| -35 | 136-0263-04 | | | 4 | .SOCKET,PIN TERM:FOR 0.025 INCH SQUARE PI | | | | | 22526 | 75377-001 |
| -35 | 348-0737-00 | | | A/R | .SHIELD GSKT,ELEK:TAPE MESH,0,375 | | | | | 28817 | OBD |
| -36 | 131-0156-00 | | | 2 | .CONNECTOR,RCPT,.:COAXIAL | | | | | 98291 | 051-043-0669 |
| -37 | 334-3652-00 | | | 1 | .PLATE,IDENT:MARKED O LOCK SYNTH,REAR | | | | | 80009 | 334-3652-00 |
| -38 | 337-2680-00 | | | 1 | .SHIELD,CRT:PHASE LOCK SYNTHESIZER,REAR ***** (ATTACHING PARTS) ***** | | | | | 80009 | 337-2680-00 |
| -39 | 211-0196-00 | | | 2 | .SCREW,MACHINE:4-40 X 0.188,SCH,HEX,STL ***** (END ATTACHING PARTS) ***** | | | | | 000AH | OBD |

Replaceable Mechanical Parts—496/496P Service Vol. 2

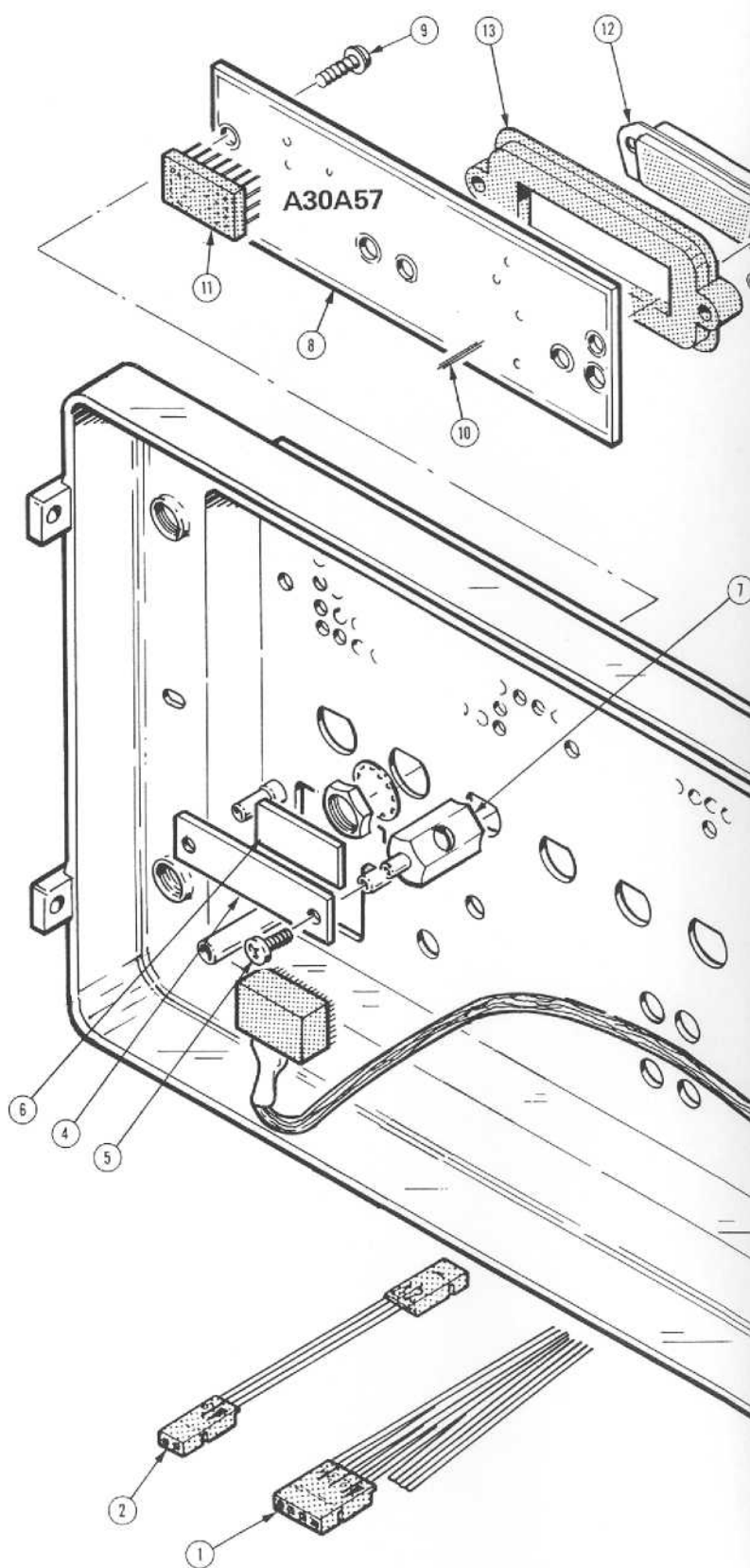
| Fig. & Index No. | Tektronix Part No. | Serial/Model No. | | Qty | 1 2 3 4 5 | Name & Description | Mfr Code | Mfr Part Number |
|------------------------|-----------------------|------------------|---------|-----|-----------|---|-------------|-----------------|
| | | Eff | Dscont | | | | | |
| 7-40 | 337-2566-01 | | | 1 | | .SHIELD,ELEC:PH LOCK SYNTHESIZER,FRONT | 80009 | 337-2566-01 |
| -41 | ----- | | | 1 | | .CKT BOARD ASSY:ERROR AMP(SEE A50A4 REPL) ***** (ATTACHING PARTS)***** | | |
| -42 | 211-0007-01 | | | 3 | | .SCREW,MACHINE:4-40 X 0.188 INCH,PNH STL ***** (END ATTACHING PARTS)***** | 83385 | OBD |
| | ----- | | | - | | .CKT BOARD ASSY INCLUDES: | | |
| -43 | ----- | | | 1 | | .MICROCIRCUIT,LI:(SEE A50A4U2075 REPL) ***** (ATTACHING PARTS)***** | | |
| -44 | 211-0008-01 | | | 1 | | .SCREW,MACHINE:4-40 X 0.250,PNH,STL,CD PL ***** (END ATTACHING PARTS)***** | 83385 | OBD |
| -45 | 131-2167-00 | | | 1 | | .CONN,RCPT,ELEC:CKT BD,FEMALE,12/24 | 22526 | 65002-009 |
| -46 | 214-0579-00 | | | 3 | | .TERM,TEST POINT:BRS CD PL | 80009 | 214-0579-00 |
| -47 | 131-2196-00 | | | 1 | | .CONN,RCPT,ELEC:CKT BD,6/12,FEMALE | 22526 | 650002-076 |
| -48 | 131-0993-00 | | | 2 | | .BUS,CONDUCTOR:2 WIRE BLACK | 00779 | 850100-01 |
| -49 | 131-0608-00 | | | 5 | | .TERMINAL,PIN:0.365 L X 0.025 PH BRZ GOLD | 22526 | 47357 |
| -50 | 136-0263-04 | | | 12 | | .SOCKET,PIN TERM:FOR 0.025 INCH SQUARE PI | 22526 | 75377-001 |
| -51 | 386-4508-00 | B010100 | B010109 | 1 | | PLATE,ELEC GND:0.63 X 0.5 X 2.1 | 80009 | 386-4508-00 |
| | 407-2909-00 | B010110 | | 1 | | BRACKET,CMPNT:SHIELD,ALUM | 80009 | 407-2909-00 |
| | 672-0814-00 | | | 1 | | CKT BOARD ASSY:PHASE LOCK CONTROL ***** (ATTACHING PARTS)***** | 80009 | 672-0814-00 |
| -52 | 211-0666-00 | | | 2 | | SCREW,MACHINE:6-32 X 4.25 INCH,PNH STL | 80009 | 211-0666-00 |
| -53 | 211-0507-01 | | | 1 | | SCREW,MACHINE:6-32 X 0.312 INCH,PNH STL ***** (END ATTACHING PARTS)***** | 83385 | OBD |
| | ----- | | | - | | .CKT BOARD ASSY INCLUDES: | | |
| -54 | 337-2803-00 | | | 1 | | .SHIELD,ELEC:CIRCUIT BOARD ***** (ATTACHING PARTS)***** | 80009 | 337-2803-00 |
| -55 | 211-0105-01 | | | 6 | | .SCREW,MACHINE:4-40 X 0.188,100 DEG,FLH ST | 83385 | OBD |
| -56 | 211-0005-00 | | | 3 | | .SCREW,MACHINE:4-40 X 0.125 INCH,PNH STL ***** (END ATTACHING PARTS)***** | 83385 | OBD |
| -57 | ----- | | | 1 | | .CKT BOARD ASYS:PHASE LOCK CONT(SEE A51 RE ***** (ATTACHING PARTS)***** | | |
| -58 | 211-0116-00 | | | 4 | | .SCR,ASSEM WSHR:4-40 X 0.312 INCH,PNH BRS ***** (END ATTACHING PARTS)***** | 83385 | OBD |
| | ----- | | | - | | .CKT BOARD ASSY INCLUDES: | | |
| -59 | 131-2167-00 | | | 1 | | .CONN,RCPT,ELEC:CKT BD,FEMALE,12/24 | 22526 | 65002-009 |
| -60 | 131-2196-00 | | | 2 | | .CONN,RCPT,ELEC:CKT BD,6/12,FEMALE | 22526 | 650002-076 |
| -61 | 131-0993-00 | | | 2 | | .BUS,CONDUCTOR:2 WIRE BLACK | 00779 | 850100-01 |
| -62 | 131-0608-00 | | | 8 | | .TERMINAL,PIN:0.365 L X 0.025 PH BRZ GOLD | 22526 | 47357 |
| -63 | ----- | | | 1 | | .CABLE ASSY,RF:(SEE W502 REPL) | | |
| -64 | 131-0938-00 | | | 2 | | .CONNECTOR,RCPT,:50 OHM MALE SNAP-ON | 98291 | 051-043-0349 |
| -65 | 352-0512-01 | | | 1 | | .HOLDER,CKT BD:5.7 L,ALUMINUM | 80009 | 352-0512-01 |
| -66 | ----- | | | 1 | | CKT BOARD ASSY:DGTL STOR INTFC(SEE A60 REP | | |
| -67 | 131-2167-00 | | | 2 | | .CONN,RCPT,ELEC:CKT BD,FEMALE,12/24 | 22526 | 65002-009 |
| -68 | 131-2196-00 | | | 1 | | .CONN,RCPT,ELEC:CKT BD,6/12,FEMALE | 22526 | 650002-076 |
| -69 | 131-0993-00 | | | 2 | | .BUS,CONDUCTOR:2 WIRE BLACK | 00779 | 850100-01 |
| -70 | 131-0608-00 | | | 4 | | .TERMINAL,PIN:0.365 L X 0.025 PH BRZ GOLD | 22526 | 47357 |
| -71 | 351-0580-00 | | | 3 | | GUIDE,CKT BD:BLACK,POLYPROPYLENE | 80009 | 351-0580-00 |
| | 672-0816-00 | B010100 | B010360 | 1 | | CKT BOARD ASSY:DIGITAL STORAGE VERTICAL | 80009 | 672-0816-00 |
| | 672-0816-01 | B010361 | | 1 | | CKT BOARD ASSY:DIGITAL STORAGE VERTICAL ***** (ATTACHING PARTS)***** | 80009 | 672-0816-01 |
| -72 | 211-0666-00 | | | 2 | | SCREW,MACHINE:6-32 X 4.25 INCH,PNH STL | 80009 | 211-0666-00 |
| -73 | 211-0507-01 | | | 1 | | SCREW,MACHINE:6-32 X 0.312 INCH,PNH STL ***** (END ATTACHING PARTS)***** | 83385 | OBD |
| | ----- | | | - | | .CKT BOARD ASSY INCLUDES: | | |
| -74 | ----- | | | 1 | | .CKT BOARD ASSY:DIGITAL STORAGE(SEE A61 RE ***** (ATTACHING PARTS)***** | | |
| -75 | 211-0116-00 | | | 4 | | .SCR,ASSEM WSHR:4-40 X 0.312 INCH,PNH BRS ***** (END ATTACHING PARTS)***** | 83385 | OBD |
| | ----- | | | - | | .CKT BOARD ASSY INCLUDES: | | |
| -76 | 131-2167-00 | | | 2 | | .CONN,RCPT,ELEC:CKT BD,FEMALE,12/24 | 22526 | 65002-009 |
| -77 | 131-2196-00 | | | 1 | | .CONN,RCPT,ELEC:CKT BD,6/12,FEMALE | 22526 | 650002-076 |
| -78 | 131-0993-00 | | | 2 | | .BUS,CONDUCTOR:2 WIRE BLACK | 00779 | 850100-01 |
| -79 | 131-0608-00 | | | 4 | | .TERMINAL,PIN:0.365 L X 0.025 PH BRZ GOLD | 22526 | 47357 |
| -80 | 352-0512-00 | | | 1 | | .HOLDER,CKT BD:5.7 L,ALUMINUM | 80009 | 352-0512-00 |



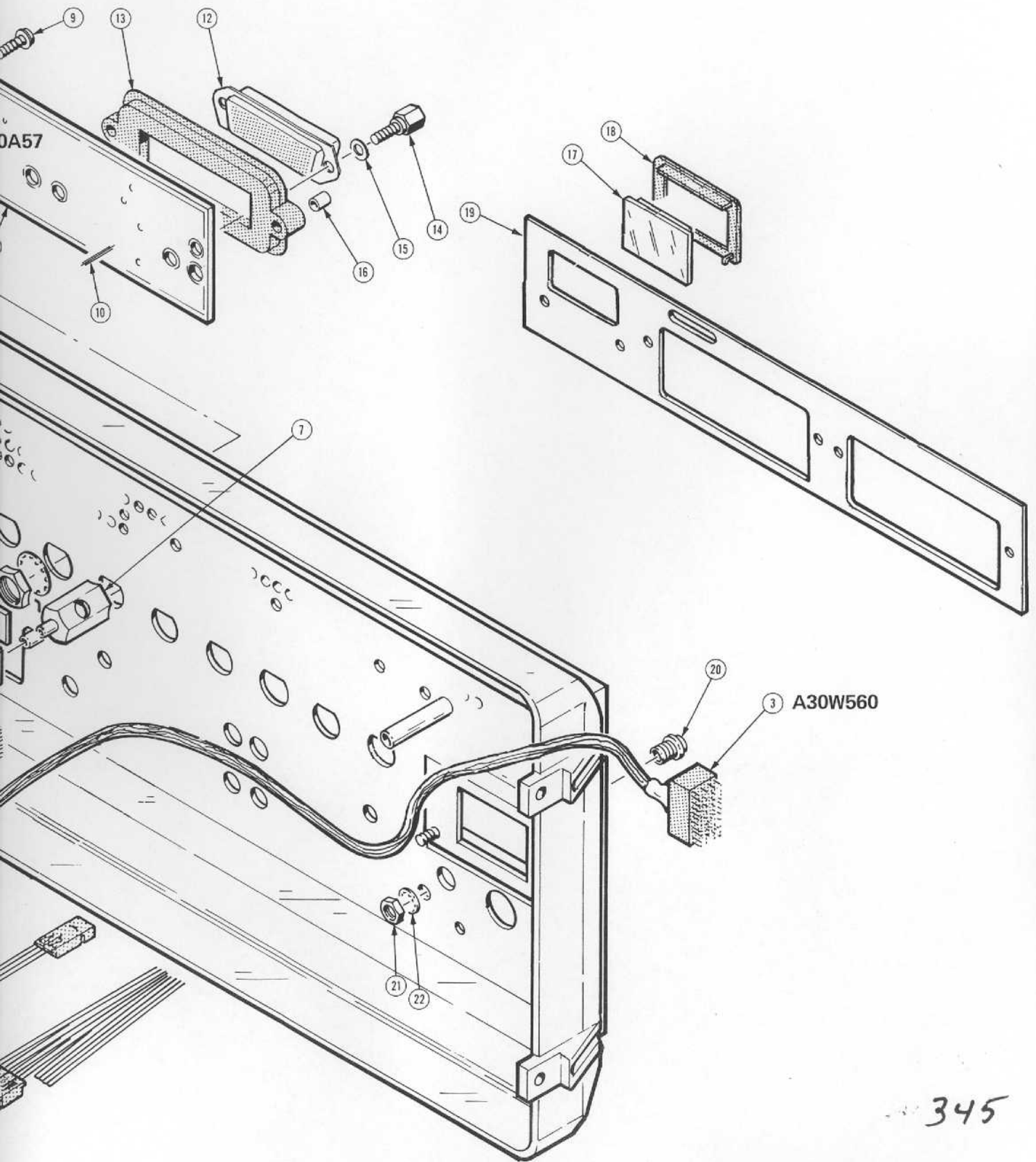


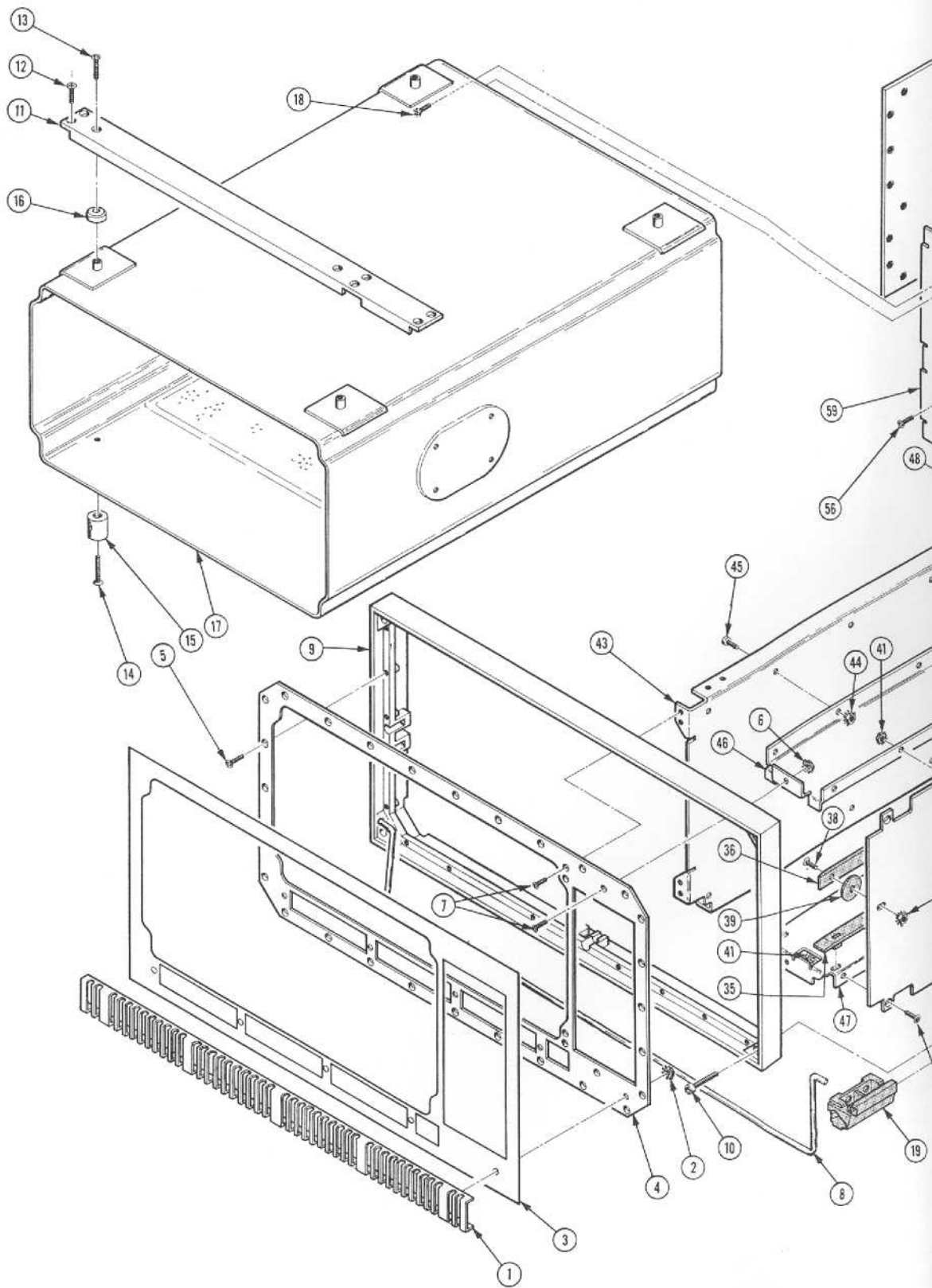
| Index No. | Tektronix Part No. | Serial/Model No. | | Qty | 1 2 3 4 5 | Name & Description | Mfr | Mfr Part Number |
|-----------|--------------------|------------------|---------|-----|-----------|--|-------|------------------|
| | | Eff | Dscont | | | | Code | |
| 9- | ----- | | | 1 | | POWER SUPPLY:(SEE A3 REPL) | | |
| | ----- | | | - | | (496P ONLY) | | |
| | ----- | | | 1 | | (COMMON PARTS TO 496/496P POWER SUPPLY ARE SHOWN IN FIG. 6) | | |
| -1 | 175-3159-00 | | | 1 | | .CA ASSY,SP,ELEC:6.0 INCH LONG,RIBBON | 80009 | 175-3159-00 |
| | 352-0162-04 | | | 1 | | ..CONN BODY,PL,EL:4 WIRE YELLOW | 80009 | 352-0162-04 |
| -2 | 175-2480-00 | | | 1 | | .CA ASSY,SP,ELEC:11.0 INCH LONG,RIBBON | 80009 | 175-2480-00 |
| | 352-0169-03 | | | 2 | | ..CONN BODY,PL,EL:2 WIRE ORANGE | 80009 | 352-0169-03 |
| -3 | ----- | | | 1 | | .CA ASSY,SP,ELEC:(SEE W560 REPL) | | |
| -4 | 386-4439-00 | | | 1 | | .PLATE,CLAMPING:(ATTACHING PARTS)..... | 80009 | 386-4439-00 |
| -5 | 211-0097-01 | | | 2 | | .SCREW,MACHINE:4-40 X 0.312 INCH,PNH STL(END ATTACHING PARTS)..... | 83385 | OBD |
| -6 | 348-0656-00 | | | 1 | | ..PAD,CUSHIONING:1.0 X 0.5 X 0.062,RUBBER | 80009 | 348-0656-00 |
| -7 | 129-0823-00 | | | 1 | | .SPACER,POST:0.885 L X 0.5 HEX,BRASS | 80009 | 129-0823-00 |
| -8 | ----- | | | 1 | | .CKT BOARD ASSY:GPIB INTERFACE | | |
| | ----- | | | - | | (SEE A30A57 REPL)(ATTACHING PARTS)..... | | |
| -9 | 211-0116-00 | | | 2 | | .SCR,ASSEM WSHR:4-40 X 0.312 INCH,PNH BRS(END ATTACHING PARTS)..... | 83385 | OBD |
| | ----- | | | - | | .CKT BOARD ASSY INCLUDES: | | |
| -10 | 131-0608-00 | | | 2 | | ..TERMINAL,PIN:0.365 L X 0.025 PH BRZ GOLD | 22526 | 47357 |
| -11 | 131-2581-00 | | | 1 | | ..CONN,RCPT,ELEC:CKT BD,4 X 7 CONT,FEMALE | 91506 | 528-AG29D |
| -12 | 131-2203-02 | | | 1 | | ..CONN,RCPT,ELEC:CKT BD,24 CONT,FEMALE | 29587 | 57-20240-11(398) |
| -13 | 348-0598-00 | | | 1 | | ..SEAL,CONNECTOR:GPIB BUS,VINYL(ATTACHING PARTS)..... | 80009 | 348-0598-00 |
| -14 | 214-2871-00 | | | 2 | | ..HARDWARE KIT:STANDOFF,W/NUT & LOCK WASHE | 00779 | 552633-1 |
| -15 | 210-0804-00 | | | 2 | | ..WASHER,FLAT:0.17 ID X 0.375 INCH OD,STL(END ATTACHING PARTS)..... | 12327 | OBD |
| -16 | 361-1044-00 | | | 2 | | SPACER,SLEEVE:0.125 ID X 0.232 INCH LONG | 80009 | 361-1044-00 |
| -17 | 200-2499-00 | | | 1 | | DOOR,ACCESS:SWITCH | 80009 | 200-2499-00 |
| -18 | 426-1733-00 | | | 1 | | FRAME,DOOR: | 80009 | 426-1733-00 |
| -19 | 333-2647-00 | B010100 | B010439 | 1 | | PANEL,REAR: | 80009 | 333-2647-00 |
| | 333-2447-02 | B010440 | | 1 | | PANEL,REAR: | 80009 | 333-2447-02 |
| -20 | 129-0815-01 | | | 4 | | SPACER,POST:0.24 LONG X 0.375 DIA(ATTACHING PARTS)..... | 80009 | 129-0815-01 |
| -21 | 210-0583-00 | | | 4 | | NUT,PLAIN,HEX:0.25-32 X 0.312 INCH,BRS | 73743 | 2X20317-402 |
| -22 | 210-0046-00 | | | 4 | | WASHER,LOCK:0.261 ID,INTL,0.018 THK,BRS(END ATTACHING PARTS)..... | 78189 | 1214-05-00-0541C |

343

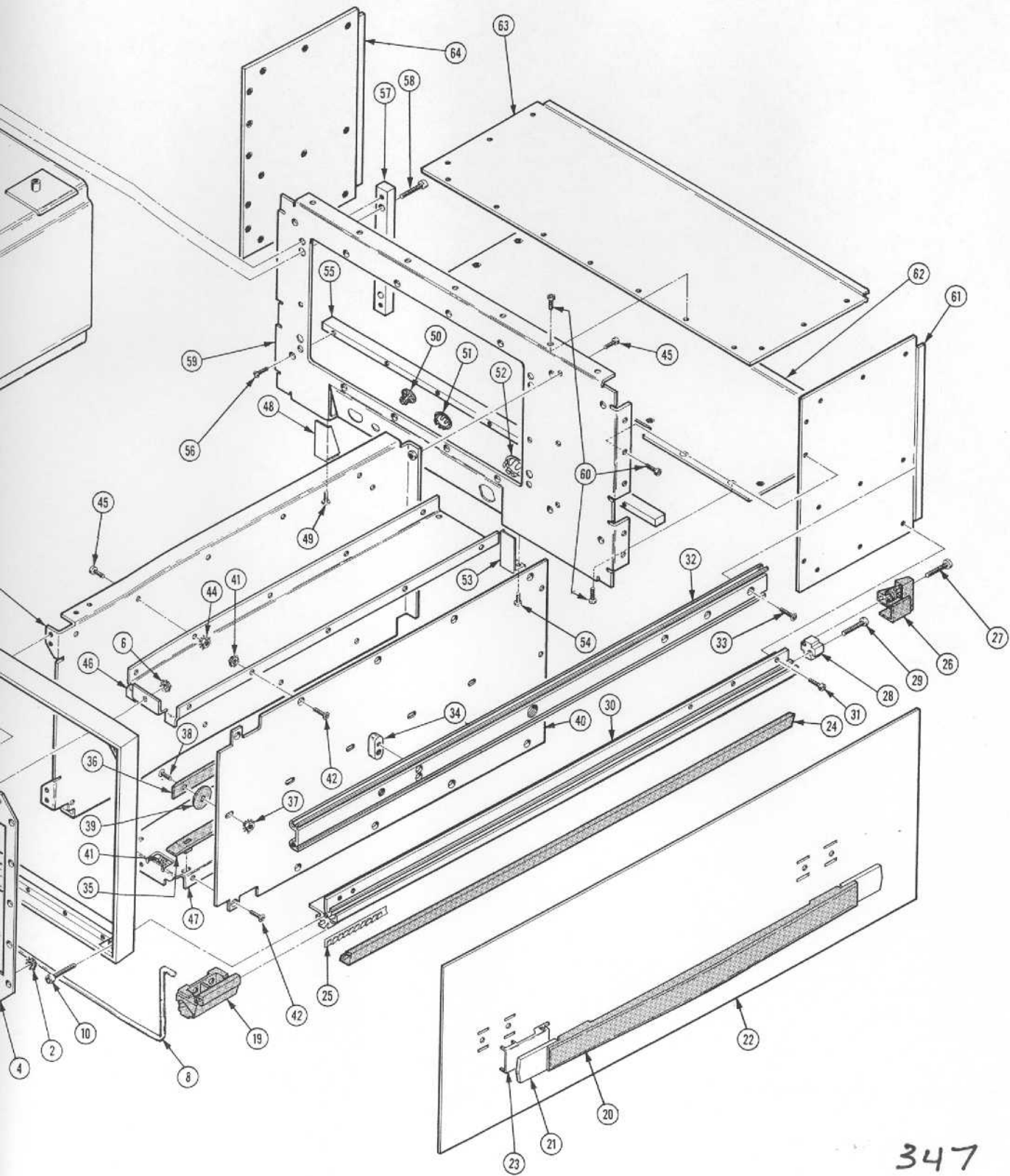


344





346



347

| Fig. & Index No. | Tektronix Part No. | Serial/Model No. | | Qty | Name & Description | | | | | Mfr Code | Mfr Part Number |
|------------------|--------------------|------------------|--------|-----|--|---|---|---|---|----------|-----------------|
| | | Eff | Dscont | | 1 | 2 | 3 | 4 | 5 | | |
| 10-1 | 378-0188-00 | | | 1 | GRILLE,METAL:16.56 X 1.032,AL ***** (ATTACHING PARTS) ***** | | | | | 80009 | 378-0188-00 |
| -2 | 210-0586-00 | | | 5 | NUT,PL,ASSEM WA:4-40 X 0.25,STL ***** (END ATTACHING PARTS) ***** | | | | | 83385 | OBD |
| -3 | 333-2711-00 | | | 1 | PANEL,FRONT: | | | | | 80009 | 333-2711-00 |
| -4 | 386-4542-00 | | | 1 | SUBPANEL,FRONT: ***** (ATTACHING PARTS) ***** | | | | | 80009 | 386-4542-00 |
| -5 | 213-0229-00 | | | 28 | SCR,TPG,THD FOR:6-20 X0.375"100 DEG,FLH ST | | | | | 93907 | OBD |
| -6 | 210-0586-00 | | | 1 | NUT,PL,ASSEM WA:4-40 X 0.25,STL | | | | | 83385 | OBD |
| -7 | 211-0038-00 | | | 6 | SCREW,MACHINE:4-40 X 0.312,FLH,100 DEG ***** (ATTACHING PARTS) ***** | | | | | 83385 | OBD |
| -8 | 348-0748-00 | | | 1 | FLIPSTAND,CAB.:FULL RACK,SST | | | | | 80009 | 348-0748-00 |
| -9 | 426-1792-00 | | | 1 | FRAME,CABINET:FRONT ***** (ATTACHING PARTS) ***** | | | | | 80009 | 426-1792-00 |
| -10 | 213-0760-00 | | | 8 | SCREW,TPG,TF:8-32 X 0.875,SPCL TAPTITE ***** (END ATTACHING PARTS) ***** | | | | | 93907 | OBD |
| -11 | 381-0427-00 | | | 2 | BAR,SUPPORT:CAN,ALUMINUM ***** (ATTACHING PARTS) ***** | | | | | 80009 | 381-0427-00 |
| -12 | 211-0559-00 | | | 12 | SCREW,MACHINE:6-32 X 0.375"100 DEG,FLH ST | | | | | 83385 | OBD |
| -13 | 211-0512-00 | | | 2 | SCREW,MACHINE:6-32 X 0.50" 100 DEG,FLH ST | | | | | 83385 | OBD |
| -14 | 211-0630-00 | | | 2 | SCREW,MACHINE:6-32 X 1.125,100 DEG,FLH ST ***** (END ATTACHING PARTS) ***** | | | | | 83385 | OBD |
| -15 | 361-1134-00 | | | 2 | SPACER,SLEEVE:0.872 L X 0.125 ID,AL | | | | | 80009 | 361-1134-00 |
| -16 | 361-1135-00 | | | 2 | SPACER,SLEEVE:0.288 L X 0.213 ID,AL | | | | | 80009 | 361-1135-00 |
| -17 | 437-0232-01 | | | 1 | CABINET,SA: ***** (ATTACHING PARTS) ***** | | | | | 80009 | 437-0232-01 |
| -18 | 211-0507-00 | | | 4 | SCREW,MACHINE:6-32 X 0.312 INCH,PNH STL ***** (END ATTACHING PARTS) ***** | | | | | 83385 | OBD |
| -19 | 348-0617-00 | | | 4 | FOOT,CABINET:BOT.EARTH BROWN | | | | | 80009 | 348-0617-00 |
| -20 | 367-0248-01 | | | 2 | HANDLE,CARRYING:16.341 L,W/CLIP | | | | | 80009 | 367-0248-01 |
| -21 | 200-2191-00 | | | 4 | CAP,RETAINER:PLASTIC | | | | | 80009 | 200-2191-00 |
| -22 | 390-0844-01 | | | 2 | CABINET,SIDE:RIGHT | | | | | 80009 | 390-0844-01 |
| -23 | 343-0752-00 | | | 4 | .RETAINER,HANDLE:STAINLESS STEEL | | | | | 80009 | 343-0752-00 |
| -24 | 124-0366-00 | | | 2 | STRIP,TRIM:CORNER,BOT,BLUE,18.085 L | | | | | 80009 | 124-0366-00 |
| | 124-0367-00 | | | 2 | STRIP,TRIM:CORNER,TOP,BLUE,21.585 L | | | | | 80009 | 124-0367-00 |
| -25 | 348-0633-00 | | | 4 | SHLD,GSKT,ELEK:FINGER TYPE,19.0 L | | | | | 52961 | OBD |
| | 348-0632-00 | | | 4 | SHLD,GSKT,ELEK:FINGER TYPE,19.0 L | | | | | 52961 | OBD |
| -26 | 348-0544-00 | | | 4 | FOOT,CABINET:REAR,TEK BLUE,POLYCARBONATE ***** (ATTACHING PARTS) ***** | | | | | 80009 | 348-0544-00 |
| -27 | 213-0782-00 | | | 1 | SCREW,TPG,TF:8-32 X 0.625 FILH,STEEL CD ***** (END ATTACHING PARTS) ***** | | | | | 93907 | OBD |
| -28 | 361-1066-00 | | | 4 | SPACER,PLATE:0.115 THK,AL ***** (ATTACHING PARTS) ***** | | | | | 80009 | 361-1066-00 |
| -29 | 213-0760-00 | | | 4 | SCREW,TPG,TF:8-32 X 0.875,SPCL TAPTITE ***** (END ATTACHING PARTS) ***** | | | | | 93907 | OBD |
| -30 | 426-1793-00 | | | 4 | FRAME SECT,CAB.: ***** (ATTACHING PARTS) ***** | | | | | 80009 | 426-1793-00 |
| -31 | 211-0007-01 | | | 24 | SCREW,MACHINE:4-40 X 0.188 INCH,PNH STL ***** (END ATTACHING PARTS) ***** | | | | | 83385 | OBD |
| -32 | 386-4572-00 | | | 2 | SPRT,CHAS TRACK:20.406 L,ALUMINUM ***** (ATTACHING PARTS) ***** | | | | | 80009 | 386-4572-00 |
| -33 | 211-0559-00 | | | 6 | SCREW,MACHINE:6-32 X 0.375"100 DEG,FLH ST ***** (END ATTACHING PARTS) ***** | | | | | 83385 | OBD |
| -34 | 220-0906-00 | | | 2 | NUT BLOCK:0.772 X 0.375 X 0.25,AL | | | | | 80009 | 220-0906-00 |
| -35 | 361-0052-00 | | | 2 | SPACER,SLEEVE:0.34 L X 0.172 ID,DELRIN | | | | | 80009 | 361-0052-00 |
| -36 | 351-0683-00 | | | 2 | GUIDE,SLIDE: ***** (ATTACHING PARTS) ***** | | | | | 80009 | 351-0683-00 |
| -37 | 210-0586-00 | | | 10 | NUT,PL,ASSEM WA:4-40 X 0.25,STL | | | | | 83385 | OBD |
| -38 | 211-0038-00 | | | 10 | SCREW,MACHINE:4-40 X 0.312,FLH,100 DEG ***** (END ATTACHING PARTS) ***** | | | | | 83385 | OBD |
| -39 | 210-1017-00 | | | 10 | WASHER,NONMETAL:0.281 ID X 0.875 INCH ID | | | | | 80009 | 210-1017-00 |
| -40 | 386-4532-00 | | | 1 | PLATE,SIDE:DRAWER,AL ***** (ATTACHING PARTS) ***** | | | | | 80009 | 386-4532-00 |
| -41 | 210-0586-00 | | | 10 | NUT,PL,ASSEM WA:4-40 X 0.25,STL | | | | | 83385 | OBD |
| -42 | 211-0038-00 | | | 10 | SCREW,MACHINE:4-40 X 0.312,FLH,100 DEG | | | | | 83385 | OBD |

| Fig. & Index No. | Tektronix Part No. | Serial/Model No. | | Qty | | | | | | Name & Description | Mfr Code | Mfr Part Number |
|------------------|--------------------|------------------|--------|-----|---|---|---|---|---|--|----------|-----------------|
| | | Eff | Dscont | | 1 | 2 | 3 | 4 | 5 | | | |
| 10-43 | 386-4541-00 | | | 1 | | | | | | PLATE,DRAWER:RH VERT,AL ***** (ATTACHING PARTS) ***** | 80009 | 386-4541-00 |
| -44 | 210-0586-00 | | | 10 | | | | | | NUT,PL,ASSEM WA:4-40 X 0.25,STL | 83385 | OBD |
| -45 | 211-0097-01 | | | 13 | | | | | | SCREW,MACHINE:4-40 X 0.312 INCH,PNH STL ***** (END ATTACHING PARTS) ***** | 83385 | OBD |
| -46 | 386-4533-00 | | | 1 | | | | | | PLATE,DRAWER:ACCESSORY,TOP,AL | 80009 | 386-4533-00 |
| -47 | 386-4531-00 | | | 1 | | | | | | PLATE,DRAWER:ACCESSORY,BOTTOM,AL | 80009 | 386-4531-00 |
| -48 | 200-2713-00 | | | 1 | | | | | | COVER,HOLE:RIGHT ***** (ATTACHING PARTS) ***** | 80009 | 200-2713-00 |
| -49 | 211-0008-01 | | | 1 | | | | | | SCREW,MACHINE:4-40 X 0.250,PNH,STL,CD PL ***** (END ATTACHING PARTS) ***** | 83385 | OBD |
| -50 | 134-0166-00 | | | 2 | | | | | | PLUG,BUTTON:0.25 HOLE,STL (OPTION 30 ONLY) | 61864 | OBD |
| -51 | 134-0156-00 | | | 2 | | | | | | BUTTON,PLUG:0.5 HOLE (OPTION 30 ONLY) | 77132 | SS48152-K1110 |
| -52 | 134-0138-00 | | | 1 | | | | | | BUTTON,PLUG:SNAP-IN (OPTION 30 ONLY) | 77132 | SS48172 |
| -53 | 200-2712-00 | | | 1 | | | | | | COVER,HOLE:LEFT ***** (ATTACHING PARTS) ***** | 80009 | 200-2712-00 |
| -54 | 211-0008-01 | | | 1 | | | | | | SCREW,MACHINE:4-40 X 0.250,PNH,STL,CD PL ***** (END ATTACHING PARTS) ***** | 83385 | OBD |
| -55 | 386-4660-00 | | | 2 | | | | | | SUPPORT,PLATE:ALUMINUM ***** (ATTACHING PARTS) ***** | 80009 | 386-4660-00 |
| -56 | 211-0025-00 | | | 14 | | | | | | SCREW,MACHINE:4-40 X 0.375 100 DEG,FLH ST ***** (END ATTACHING PARTS) ***** | 83385 | OBD |
| -57 | 386-4661-00 | | | 2 | | | | | | PLATE,SUPPORT:FRAME,AL | 80009 | 386-4661-00 |
| -58 | 212-0655-00 | | | 4 | | | | | | SCREW,CAP:10-24 X 0.625,HEX SOCH,STL | 000CY | OBD |
| -59 | 333-2712-00 | | | 1 | | | | | | PANEL,REAR: ***** (ATTACHING PARTS) ***** | 80009 | 333-2712-00 |
| -60 | 211-0007-01 | | | 25 | | | | | | SCREW,MACHINE:4-40 X 0.188 INCH,PNH STL ***** (END ATTACHING PARTS) ***** | 83385 | OBD |
| -61 | 390-0804-00 | | | 1 | | | | | | CABINET SIDE:INSIDE,RIGHT REAR | 80009 | 390-0804-00 |
| -62 | 390-0845-00 | | | 1 | | | | | | CABINET BOTTOM:INSIDE | 80009 | 390-0845-00 |
| -63 | 390-0806-00 | | | 1 | | | | | | CABINET TOP/BOT:REAR | 80009 | 390-0806-00 |
| -64 | 390-0805-00 | | | 1 | | | | | | CABINET SIDE:INSIDE,LEFT REAR | 80009 | 390-0805-00 |

FIG. 2. FRONT PANEL & CRT

FIG. 4. FRAME & CRT BOARDS

POWER SUPPLY

MEMORY & GPIB BOARDS

349

| Fig. & Index No. | Tektronix Part No. | Serial/Model No. | | Qty | 1 2 3 4 5 | Name & Description | Mfr Code | Mfr Part Number |
|------------------|--------------------|------------------|---------|-----|-----------|--|----------|-----------------|
| | | Eff | Dscont | | | | | |
| 11-1 | ----- | | | 1 | | CABLE ASSY,RF:(SEE W401 REPL) | | |
| | ----- | | | - | | (OPTION 31 ONLY) | | |
| -2 | ----- | | | 1 | | CABLE ASSY,RF:(SEE W405 REPL) | | |
| | ----- | | | - | | (OPTION 31 ONLY) | | |
| -3 | ----- | | | 1 | | CABLE ASSY,RF:(SEE W407 REPL) | | |
| | ----- | | | - | | (OPTION 31 ONLY) | | |
| -4 | ----- | | | 1 | | CABLE ASSY,RF:(SEE W409 REPL) | | |
| | ----- | | | - | | (OPTION 31 ONLY) | | |
| -5 | ----- | | | 1 | | CABLE ASSY,RF:(SEE W403 REPL) | | |
| | ----- | | | - | | (OPTION 31 ONLY) | | |
| -6 | 131-2343-00 | | | 7 | | CONN,RCPT,ELEC:SMA,DOUBLE FEMALE | 16733 | 705628-014 |
| | ----- | | | - | | (OPTION 31 ONLY) | | |
| -7 | 378-0889-00 | | | 1 | | GRILLE,METAL:16.0 X 1.032,AL | 80009 | 378-0889-00 |
| | ----- | | | - | | (OPTION 31 ONLY) | | |
| -7.1 | 124-0387-00 | | | 1 | | STRIP,TRIM:RACKMOUNT HANDLE,LEFT,VINYL | 80009 | 124-0387-00 |
| -8 | 390-0814-00 | | | 1 | | CABINET SIDE:LEFT | 80009 | 390-0814-00 |
| | ----- | | | - | | (OPTION 30 AND 31 ONLY) | | |
| -9 | ----- | | | 1 | | CABLE ASSY,RF:(SEE W402 REPL) | | |
| | ----- | | | - | | (OPTION 31 ONLY) | | |
| -9.1 | ----- | | | 2 | | TERMN,COAXIAL:(SEE P110,P112 REPL) | | |
| -10 | ----- | | | 1 | | CABLE ASSY,RF:(SEE W404 REPL) | | |
| | ----- | | | - | | (OPTION 31 ONLY) | | |
| -11 | ----- | | | 1 | | CABLE ASSY,RF:(SEE W406 REPL) | | |
| | ----- | | | - | | (OPTION 31 ONLY) | | |
| -12 | ----- | | | 1 | | CABLE ASSY,RF:(SEE W400 REPL) | | |
| | ----- | | | - | | (OPTION 31 ONLY) | | |
| -13 | ----- | | | 1 | | CABLE ASSY,RF:(SEE W408 REPL) | | |
| | ----- | | | - | | (OPTION 31 ONLY) | | |
| -14 | 343-0001-00 | | | 5 | | CLAMP,LOOP:0.15 INCH DIA,PLASTIC | 95987 | 1-8-6B |
| | ----- | | | - | | (OPTION 31 ONLY) | | |
| | | | | | | ***** (ATTACHING PARTS) ***** | | |
| -15 | 210-0586-00 | | | 5 | | NUT,PL,ASSEM WA:4-40 X 0.25,STL | 83385 | OBD |
| | ----- | | | - | | (OPTION 31 ONLY) | | |
| -16 | 210-0863-00 | | | 5 | | WSHR,LOOP CLAMP:0.187 ID U/W 0.5 W CLP,STL | 95987 | C191 |
| | ----- | | | - | | (OPTION 31 ONLY) | | |
| -17 | 210-1093-00 | B010100 | B010109 | 5 | | WASHER,FLAT:0.188 ID X 0.312 OD X 0.156 | 83385 | OBD |
| | ----- | | | - | | (OPTION 31 ONLY) | | |
| | 210-1092-00 | B010110 | | 5 | | WASHER,FLAT:0.147 ID X 0.312' OD,BRS | 12327 | OBD |
| | ----- | | | - | | (OPTION 31 ONLY) | | |
| -18 | 211-0198-00 | B010100 | B110109 | 5 | | SCREW,MACHINE:4-40 X 0.438 PNH,STL,POZ | 77250 | OBD |
| | ----- | | | - | | (OPTION 31 ONLY) | | |
| | 211-0014-00 | B010110 | | 5 | | SCREW,MACHINE:4-40 X 0.50 INCH,PNH STL | 83385 | OBD |
| | ----- | | | - | | (OPTION 31 ONLY) | | |
| | | | | | | ***** (END ATTACHING PARTS) ***** | | |
| | 436-0160-00 | | | 1 | | DRAWER,ACCESS: | 80009 | 436-0160-00 |
| -19 | 386-4747-00 | | | 1 | | .SUPPORT,CABLE:12.607 X 0.75,AL | 80009 | 386-4747-00 |
| | ----- | | | - | | ***** (ATTACHING PARTS) ***** | | |
| -20 | 211-0097-01 | | | 4 | | .SCREW,MACHINE:4-40 X 0.312 INCH,PNH STL | 83385 | OBD |
| | ----- | | | - | | ***** (END ATTACHING PARTS) ***** | | |
| -21 | 367-0304-00 | | | 1 | | .HDL,ACCESS,DWR:ALUMINUM | 80009 | 3670304-00 |
| | ----- | | | - | | ***** (ATTACHING PARTS) ***** | | |
| -22 | 211-0101-01 | | | 2 | | .SCREW,MACHINE:4-40 X 0.25,100 DEG,FLH STL | 83385 | OBD |
| | ----- | | | - | | ***** (END ATTACHING PARTS) ***** | | |
| -23 | 366-0488-00 | | | 1 | | .KNOB:AL,0.251 ID X 0.5 OD X 0.62 | 80009 | 366-0488-00 |
| | 213-0005-00 | | | 1 | | .SETSCREW:8-32 X 1.25 INCH,HEX SOC ST | 74445 | OBD |
| -24 | 386-4545-00 | | | 1 | | .SUBPANEL,FRONT: | 80009 | 386-4545-00 |
| | ----- | | | - | | ***** (ATTACHING PARTS) ***** | | |
| -25 | 210-0586-00 | | | 4 | | .NUT,PL,ASSEM WA:4-40 X 0.25,STL | 83385 | OBD |
| | ----- | | | - | | ***** (END ATTACHING PARTS) ***** | | |
| -26 | 214-3305-00 | | | 1 | | .FASTENER,PAWL:RIGHT,ADJUSTABLE | 94222 | 43-99-124-41 |
| | ----- | | | - | | ***** (ATTACHING PARTS) ***** | | |
| -27 | 210-0586-00 | | | 2 | | .NUT,PL,ASSEM WA:4-40 X 0.25,STL | 83385 | OBD |
| | ----- | | | - | | ***** (END ATTACHING PARTS) ***** | | |

| Tektronix Part No. | Serial/Model No. | | Qty | 1 | 2 | 3 | 4 | 5 | Name & Description | Mfr Code | Mfr Part Number |
|--------------------|------------------|---------|-----|---|---|---|---|---|--|----------|-----------------|
| | Eff | Dscont | | | | | | | | | |
| 380-1602-00 | | | 1 | | | | | | .HOUSING,DRAWER:ACCESSORY,AL ***** (ATTACHING PARTS) ***** | 80009 | 380-1602-00 |
| 210-0586-00 | | | 8 | | | | | | .NUT,PL,ASSEM WA:4-40 X 0.25,STL | 83385 | OBD |
| 211-0101-01 | | | 8 | | | | | | .SCREW,MACHINE:4-40 X 0.25,100 DEG,FLH STL ***** (END ATTACHING PARTS) ***** | 83385 | OBD |
| 386-4604-00 | | | 1 | | | | | | .DIVIDER,ACCESS:2.296 X 3.175,AL | 80009 | 386-4604-00 |
| 386-4605-00 | | | 2 | | | | | | .DIVIDER,ACCESS:5.392 X 3.625,AL | 80009 | 386-4605-00 |
| 348-0709-00 | | | 1 | | | | | | .PAD,CUSHIONING:5.281 X 3.125,VOLARA | 80009 | 348-0709-00 |
| 348-0708-00 | | | 1 | | | | | | .PAD,CUSHIONING:5.28 X 6.25,VOLARA | 80009 | 348-0708-00 |
| 342-0556-00 | | | 1 | | | | | | .INSULATOR,PLATE:FILTER,POLYESTER | 80009 | 342-0556-00 |
| 386-4604-00 | | | 1 | | | | | | .DIVIDER,ACCESS:2.296 X 3.175,AL | 80009 | 386-4604-00 |
| 333-2717-00 | | | 1 | | | | | | .PANEL,REAR:ACCESS,DRAWER,AL | 80009 | 333-2717-00 |
| 377-0520-00 | | | 1 | | | | | | .INSERT,DRAWER:ACCESS,POLYURETHANE | 80009 | 377-0520-00 |
| 390-0752-00 | | | 1 | | | | | | CABINET,TOP:TEK BLUE | 80009 | 390-0752-00 |
| 200-2222-00 | | | 1 | | | | | | GUARD,FAN: ***** (ATTACHING PARTS) ***** | 81041 | 6-182-033 |
| 211-0552-00 | B010100 | B010109 | 4 | | | | | | SCREW,MACHINE:6-32 X 2 INCH,PNH STL | 83385 | OBD |
| 211-0623-00 | B010110 | | 4 | | | | | | SCREW,MACHINE:6-32 X 2.25 INCHES,PNH,STL | 83385 | OBD |
| 210-0803-00 | B010100 | B010109 | 4 | | | | | | WASHER,FLAT:0.15 ID X 0.032 THK,STL CD | 12327 | OBD |
| 210-0858-00 | B010110 | | 4 | | | | | | WASHER,FLAT:0.500 OD X 0.171 ID X 0.063 ***** (END ATTACHING PARTS) ***** | 80009 | 210-0858-00 |
| 337-2823-00 | | | 1 | | | | | | SHIELD,FAN:ALUMINUM | 80009 | 337-2823-00 |
| 348-0003-00 | | | 4 | | | | | | GROMMET,RUBBER:0.312 INCH DIAMETER | 70485 | 1411B6040 |
| 361-1161-00 | | | 4 | | | | | | SPACER,SLEEVE:1.75 L X 0.144 ID,AL | 80009 | 361-1161-00 |
| ----- | | | 1 | | | | | | FAN,VENTILATION:(SEE B200 REPL) | | |
| 348-0728-00 | | | 1 | | | | | | GASKET:FAN HOUSING | 80009 | 348-0728-00 |
| 131-1547-00 | | | 1 | | | | | | CONN,RCPT,ELEC:MALE,0.04 DIA CONT ***** (ATTACHING PARTS) ***** | 81312 | JFZP |
| 211-0030-00 | | | 1 | | | | | | SCREW,MACHINE:2-56 X 0.25*82 DEG,FLH STL ***** (END ATTACHING PARTS) ***** | 83385 | OBD |
| 220-0918-00 | | | 1 | | | | | | NUT BLOCK:0.306 X 0.25 SQ ***** (ATTACHING PARTS) ***** | 80009 | 220-0918-00 |
| 211-0001-00 | | | 1 | | | | | | SCREW,MACHINE:2-56 X 0.25 INCH,PNH STL ***** (END ATTACHING PARTS) ***** | 87308 | OBD |
| 334-4447-00 | | | 1 | | | | | | MARKER,IDENT:MKD CAUTION | 80009 | 334-4447-00 |
| 378-0172-00 | | | 1 | | | | | | DUCT,AIR:W/TAN HOUSING,AL ***** (ATTACHING PARTS) ***** | 80009 | 378-0172-00 |
| 211-0552-00 | | | 2 | | | | | | SCREW,MACHINE:6-32 X 2 INCH,PNH STL | 83385 | OBD |
| 210-0858-00 | | | 2 | | | | | | WASHER,FLAT:0.500 OD X 0.171 ID X 0.063 ***** (END ATTACHING PARTS) ***** | 80009 | 210-0858-00 |
| 390-0749-00 | | | 1 | | | | | | CABINET BOTTOM:TEK BLUE | 80009 | 390-0749-00 |
| 351-0623-00 | | | PR | | | | | | SLIDE,DWR,EXT:22.0 L X 1.54,STEEL (OPTION 30 AND 31 ONLY) | 80009 | 351-0623-00 |
| 351-0104-00 | | | PR | | | | | | SLIDE SECT,DWR:12.625 X 2.25 (OPTION 30 AND 31 ONLY) | 06666 | C-1353 |
| 212-0591-00 | | | 2 | | | | | | SCREW,MACHINE:10-32 X 0.750 INCH OVH STL (OPTION 30 AND 31 ONLY) | 83385 | OBD |
| 210-0020-00 | | | 2 | | | | | | WASHER,LOCK:#12 INTL,0.025 THK,STL CD P (OPTION 30 AND 31 ONLY) | 80009 | 210-0020-00 |
| 210-0445-00 | | | 2 | | | | | | NUT,PLAIN,HEX.:10-32 X 0.375 INCH,STL | 83385 | OBD |
| 105-0787-00 | | | 2 | | | | | | LATCH,RETAINING:RACKMOUNT,SST (OPTION 30 AND 31 ONLY) ***** (ATTACHING PARTS) ***** | 80009 | 105-0787-00 |
| 212-0023-00 | | | 2 | | | | | | SCREW,MACHINE:8-32 X 0.375,PNH,STL CD PL (OPTION 30 AND 31 ONLY) ***** (END ATTACHING PARTS) ***** | 83385 | OBD |
| 361-1007-00 | | | 2 | | | | | | SPACER,HANDLE:0.156 THK,1.25 W,0.65 H (OPTION 30 AND 31 ONLY) | 80009 | 361-1007-00 |
| 348-0631-00 | | | 2 | | | | | | PAD,CUSHIONING:0.375 X 0.5 X 0.062 (OPTION 30 AND 31 ONLY) | 85471 | OBD |
| 105-0786-01 | | | 2 | | | | | | RELEASE,LATCH:W/COVER,PLASTIC (OPTION 30 AND 31 ONLY) | 80009 | 105-0786-01 |
| 124-0392-00 | | | 1 | | | | | | STRIP,TRIM:RACKMOUNT HANDLE,RIGHT VINYL | 80009 | 124-0392-00 |

351

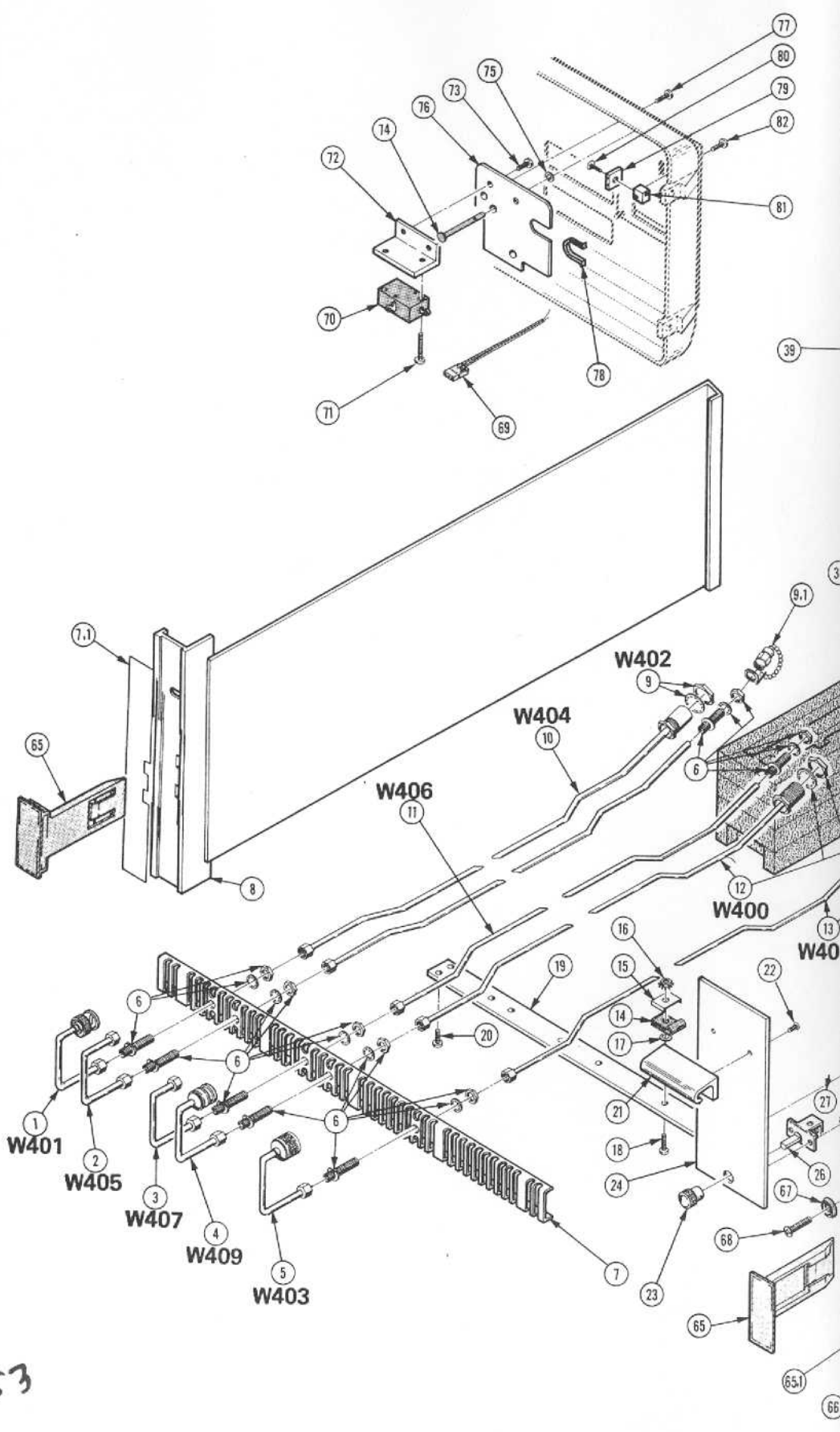
| Fig. & Index No. | Tektronix Part No. | Serial/Model No. | | Qty | 1 2 3 4 5 | Name & Description | Mfr Code | Mfr Part Number |
|------------------|--------------------|------------------|--------|-----|-----------|--|----------|-----------------|
| | | Eff | Dscont | | | | | |
| 11-66 | 390-0813-00 | | | 1 | | CABINET SIDE:RIGHT (OPTION 30 AND 31 ONLY) | 80009 | 390-0813-00 |
| -67 | 210-1298-00 | | | 2 | | WSHR,SHLDR&RECD:0.195 ID X 0.195 THK (OPTION 30 AND 31 ONLY) | 80009 | 210-1298-00 |
| -68 | 212-0591-00 | | | 2 | | SCREW,MACHINE:10-32 X 0.750 INCH OVH STL (OPTION 30 AND 31 ONLY) | 83385 | OBD |
| | 621-0483-00 | | | 1 | | POWER SUPPLY:HIGH VOLTAGE (RACKMOUNT & BENCH MODEL POWER SUPPLY SEE FIG. 6 FOR COMMON PARTS) | 80009 | 621-0483-00 |
| -69 | 175-4465-00 | | | 1 | | .CA ASSY,SP,ELEC:2,22 AWG,5.0 L,RIBBON | 80009 | 175-4465-00 |
| | 352-0161-00 | | | 1 | | .HLDR,TERM CONN:3 WIRE,BLACK | 80009 | 352-0161-00 |
| -70 | | | | 1 | | .SWITCH,SLIDE:(SEE S301 REPL)(ATTACHING PARTS)..... | | |
| -71 | 211-0016-00 | | | 2 | | .SCREW,MACHINE:4-40 X 0.625 INCH,PNH STL(END ATTACHING PARTS)..... | 83385 | OBD |
| -72 | 407-2711-00 | | | 1 | | .BRACKET,ANGLE:SWITCH MOUNTING,AL(ATTACHING PARTS)..... | 80009 | 407-2711-00 |
| -73 | 211-0008-01 | | | 2 | | .SCREW,MACHINE:4-40 X 0.250,PNH,STL,CD PL(END ATTACHING PARTS)..... | 83385 | OBD |
| -74 | 214-3203-00 | | | 1 | | .ACTUATOR,SWITCH:(ATTACHING PARTS)..... | 80009 | 214-3203-00 |
| -75 | 354-0163-00 | | | 1 | | .RING,RETAINING:TRUARC,CAD PLATE(END ATTACHING PARTS)..... | 79136 | 5133-12MD |
| -76 | 378-0180-00 | | | 1 | | .BAFFLE,AIR:(ATTACHING PARTS)..... | 80009 | 378-0180-00 |
| -77 | 211-0008-01 | | | 2 | | .SCREW,MACHINE:4-40 X 0.250,PNH,STL,CD PL(END ATTACHING PARTS)..... | 83385 | OBD |
| -78 | 348-0171-00 | | | 1 | | .GROMMET,PLASTIC:U-SHAPED | 80009 | 348-0171-00 |
| -79 | 131-1548-00 | | | 1 | | .CONN,RCPT,ELEC:FEMALE,0.04 DIA CONT(ATTACHING PARTS)..... | 81312 | JF2S |
| -80 | 211-0030-00 | | | 1 | | .SCREW,MACHINE:2-56 X 0.25*82 DEG,FLH STL(END ATTACHING PARTS)..... | 83385 | OBD |
| -81 | 220-0899-00 | | | 1 | | .NUT BLOCK:0.375 X 0.25 SQ(ATTACHING PARTS)..... | 80009 | 220-0899-00 |
| -82 | 211-0211-00 | | | 1 | | .SCR,CAP,SOC HD:4-40 X 0.188 INCH,STL(END ATTACHING PARTS)..... | 000AH | OBD |

FIG. 9 FRONT PANEL & CRT
FIG. 10 OPTION 30, 31, 32

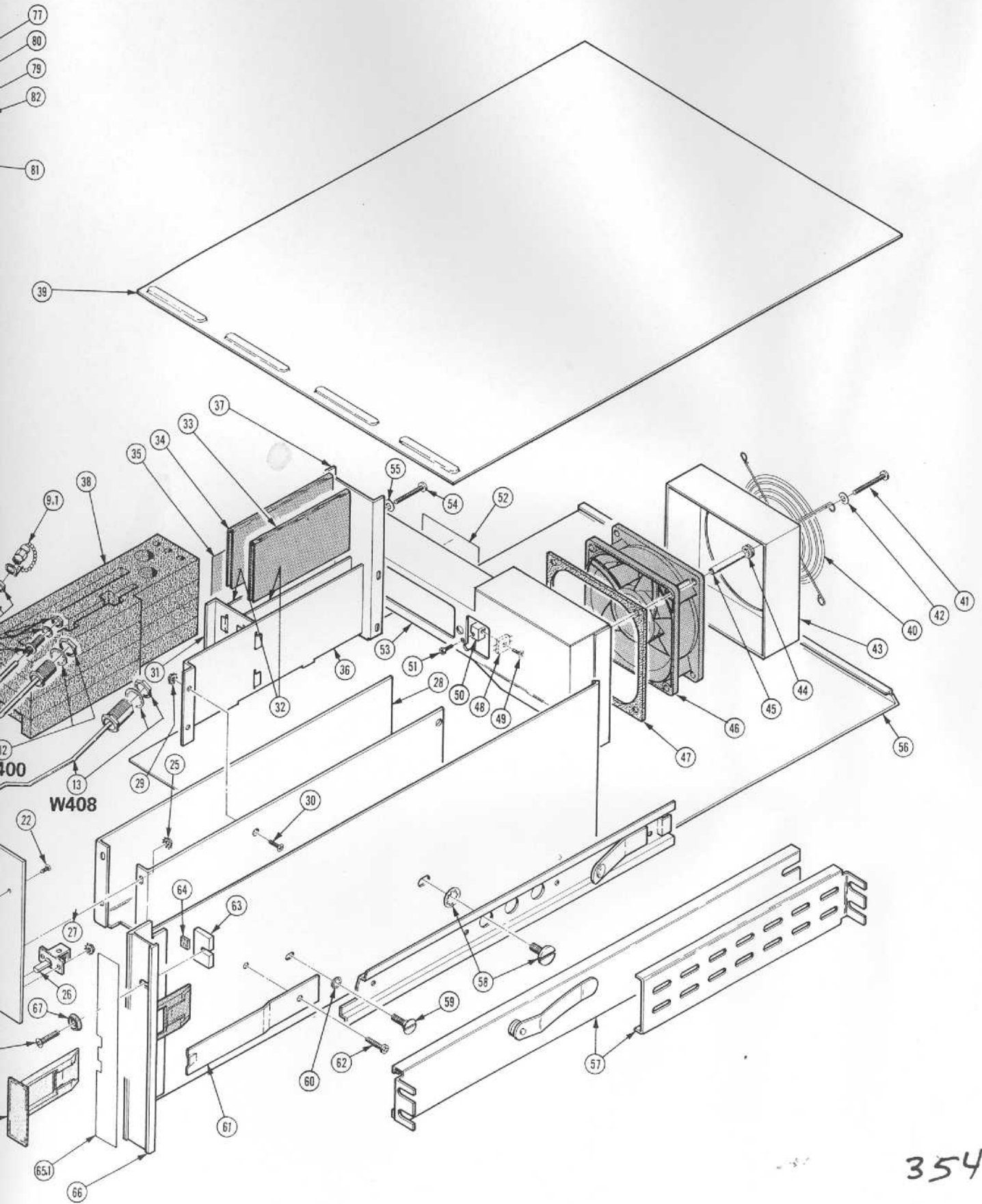
FIG. 4. FRAME & CRT BOARDS

FIG. 5. POWER SUPPLY

FIG. 8. 496P FRONT PANEL,
MEMORY & GPIB BOARDS



353



354

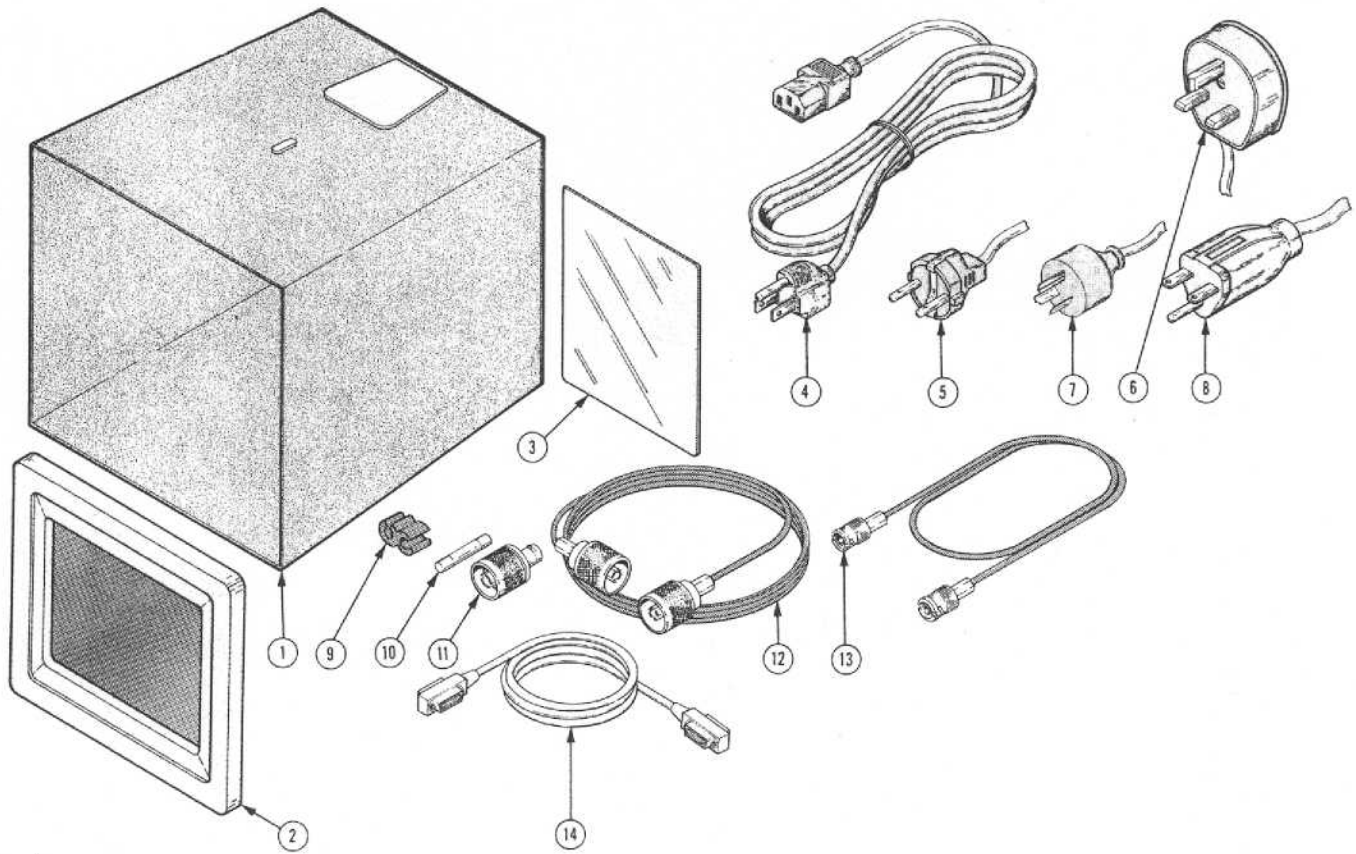


Fig. & Index No.

| Fig. & Index No. | Tektronix Part No. | Serial/Model No. Eff | Serial/Model No. Dscont | Qty | 1 | 2 | 3 | 4 | 5 | Name & Description | Mfr Code | Mfr Part Number |
|------------------|--------------------|----------------------|-------------------------|-----|---|---|---|---|---|--------------------|----------|-----------------|
|------------------|--------------------|----------------------|-------------------------|-----|---|---|---|---|---|--------------------|----------|-----------------|

STANDARD ACCESSORIES

| | | | | | | | | | | | | |
|-----|-------------|--|--|---|--|--|--|--|--|---|-------|-------------|
| -1 | 016-0653-00 | | | 1 | | | | | | VISOR CRT:FOLDING | 80009 | 016-0653-00 |
| -2 | 378-0887-00 | | | 1 | | | | | | FILTER,MESH:EMI | 80009 | 378-0887-00 |
| -3 | 378-0115-01 | | | 1 | | | | | | FILTER,LT,CRT:AMBER 4.176 X 3.418,PLASTIC | 80009 | 378-0115-01 |
| | 378-0115-02 | | | 1 | | | | | | FILTER,LT,CRT:GRAY 4.176 X 3.418,PLASTIC | 80009 | 378-0115-02 |
| -4 | 161-0118-00 | | | 1 | | | | | | CABLE ASSY,PWR:3,16 AWG,125V,90.0 L | 16428 | KH-8686 |
| -5 | 161-0132-00 | | | 1 | | | | | | CABLE ASSY,PWR:3,075MM SQ,20V,3.05ML - (EUROPEAN ONLY) | S3109 | OBD |
| -6 | 161-0133-00 | | | 1 | | | | | | CABLE ASSY,PWR:3,0.75MM SQ,240V,3.05ML - (UNITED KINGDOM ONLY) | S3109 | OBD |
| -7 | 161-0135-00 | | | 1 | | | | | | CABLE ASSY,PWR:3,0.75MM SQ,240V,3.05ML - (AUSTRALIAN ONLY) | S3109 | OBD |
| -8 | 161-0134-00 | | | 1 | | | | | | CABLE ASSY,PWR:3,18 AWG,240V,3.05ML - (NORTH AMERICAN ONLY) | S3109 | OBD |
| -9 | 343-0170-00 | | | 1 | | | | | | RTNR,CA TO CA:U/W 0.25 OD CABLES | 80009 | 343-0170-00 |
| -10 | 159-0017-00 | | | 2 | | | | | | FUSE,CARTRIDGE:3AG,4A,250V,FAST BLOW | 71400 | MTH4 |
| -11 | 103-0045-00 | | | 1 | | | | | | ADAPTER,CONN:BNC FEMALE TO N MALE | 91836 | KN99-35 |
| -12 | 012-0114-00 | | | 1 | | | | | | CABLE ASSY,RF:50 OHM COAX,72.0 L | 91836 | K-3802 |
| -13 | 012-0076-00 | | | 1 | | | | | | CABLE ASSY,RF:50 OHM COAX,20.0 L | 80009 | 012-0076-00 |
| -14 | 012-0630-03 | | | 1 | | | | | | CABLE,INTCON:2 METERS L - (496P ONLY) | 74868 | AC30147-102 |
| | 070-3480-00 | | | 1 | | | | | | MANUAL,TECH:OPERATORS | 80009 | 070-3480-00 |
| | 070-3481-00 | | | 1 | | | | | | MANUAL,TECH:SERVICE,VOL. 1 | 80009 | 070-3481-00 |
| | 070-3482-00 | | | 1 | | | | | | MANUAL,TECH:SERVICE,VOL. 2 | 80009 | 070-3482-00 |
| | 070-3483-00 | | | 1 | | | | | | MANUAL,TECH:SERVICE,HANDBOOK | 80009 | 070-3483-00 |
| | 070-3484-00 | | | 1 | | | | | | MANUAL,TECH:PROGRAMMERS - (496P ONLY) | 80009 | 070-3484-00 |

355

MANUAL CHANGE INFORMATION

At Tektronix, we continually strive to keep up with latest electronic developments by adding circuit and component improvements to our instruments as soon as they are developed and tested.

Sometimes, due to printing and shipping requirements, we can't get these changes immediately into printed manuals. Hence, your manual may contain new change information on following pages.

A single change may affect several sections. Since the change information sheets are carried in the manual until all changes are permanently entered, some duplication may occur. If no such change pages appear following this page, your manual is correct as printed.

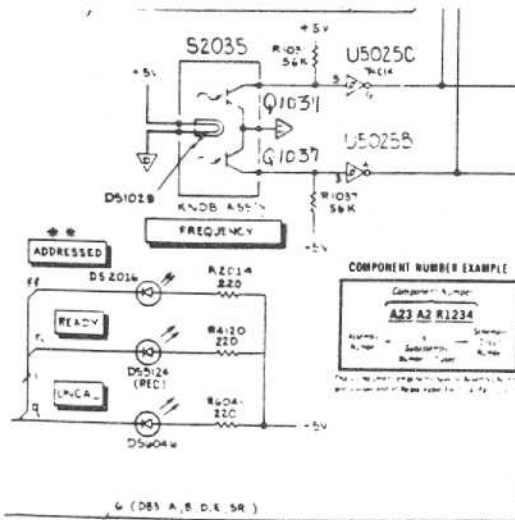
DESCRIPTION

ELECTRICAL PARTS LIST AND SCHEMATIC CHANGES

ADD:

| | | |
|-----------|-------------|--|
| A38DS1029 | 150-0093-01 | LAM, INCAND: 5V, 0.06A, 6833a515, WIRE |
| A38Q1031 | 151-0629-01 | PHOTOTRANSISTOR: 30V., 6mA MIN GaAs, TO-18 |
| A48Q1037 | 151-0629-01 | PHOTOTRANSISTOR: 30V., 6mA MIN GaAs, TO-18 |

These parts are shown on diagram 30 FRONT PANEL - Partial



A38 FRONT PANEL BD
185-19-3704-30
©

Date: 2-23-82 Change Reference: C12/282
Product: 496/496P Spectrum Analyzer Serv. Vol. 2 Manual Part No.: 070-3482-00

DESCRIPTION

ELECTRICAL PARTS LIST AND SCHEMATIC CHANGES

CHANGE TO:


A22A1R2068 321-0285-09 RES., FXD, FILM: 9.09K OHM, 1%, 0.125W

ADD:

A22A1R224 321-0189-00 RES., FXD, FILM: 909 OHM, 1%, 0.125W

A22A1R1010 317-0750-00 RES., FXD, CMPSN: 75 OHM, 5%, 0.125W

R224 is added in the FINE TUNE line between pin 5 of P1048 and C224. R1010 is parallel to L1012 on the -12 V line.

The above parts are located on the A22A1 16-20 MHz PHASELOCK CIRCUIT and shown on diagram  PHASELOCKED 2nd LO.

Date: 11-3-82 Change Reference: M46826 Rev.

Product: 496/496P Spectrum Analyzer Service Vol. 2 Manual Part No.: 070-3482-00

DESCRIPTION

EFF SN B010310

Revised 11-8-82

ACCESSORIES CHANGE

CHANGE TO:

Fig. 4 161-0104-00 CABLE ASSY, PWR, 3 WIRE; 98.0L, W/RT ANG CONN, SAFETY CONTROLLED

DESCRIPTION

EFF SN B010631 ELECTRICAL PARTS LIST AND SCHEMATIC CHANGES

CHANGE the A60 HORIZONTAL DIGITAL STORAGE BD, shown on diagram 27, TO READ:

| | | |
|----------|-------------|--|
| A60 | 670-5555-02 | CKT BOARD ASSY: DIGITAL STORAGE HORIZ (OPTION 02 ONLY) |
| A60C1041 | 283-0359-01 | CAP., FXD, CER DI: 1000PF, 5%, 200V |
| A60C1048 | 283-0346-00 | CAP., FXD, CER DI: 0.47UF, +80-20%, 100V |
| A60C2022 | 283-0330-00 | CAP., FXD, CER DI: 100PF, 5%, 50V |
| A60C2041 | 283-0346-00 | CAP., FXD, CER DI: 0.47UF, +80-20%, 100V |
| A60C2042 | 283-0065-00 | CAP., FXD, CER DI: 0.001UF, 5%, 100V |
| A60C2043 | 290-0527-00 | CAP., FXD, ELCTLT: 15UF, 20%, 20V |
| A60C2044 | 283-0065-00 | CAP., FXD, CER DI: 0.001UF, 5%, 100V |
| A60C2045 | 290-0527-00 | CAP., FXD, ELCTLT: 15UF, 20%, 20V |
| A60C2046 | 290-0527-00 | CAP., FXD, ELCTLT: 15UF, 20%, 20V |
| A60C2047 | 290-0527-00 | CAP., FXD, ELCTLT: 15UF, 20%, 20V |
| A60L2039 | 108-0598-00 | COIL, RF: 200UH |
| A60L2041 | 108-0598-00 | COIL, RF: 200UH |
| A60L2043 | 108-0598-00 | COIL, RF: 200UH |
| A60L2046 | 108-0598-00 | COIL, RF: 200UH |
| A60R1039 | 311-1915-00 | RES., VAR, NONWIR: 20K OHM, 10%, 0.5W |
| A60R1040 | 315-0273-00 | RES., FXD, CMPSN: 27K OHM, 5%, 0.25W |
| A60R1041 | 311-1921-00 | RES., VAR, NONWIR: 250 OHM, 10%, 0.5W |
| A60R1042 | 321-0188-00 | RES., FXD, FILM: 887 OHM, 1%, 0.125W |
| A60R1043 | 321-0188-00 | RES., FXD, FILM: 887 OHM, 1%, 0.125W |
| A60R1044 | 321-0402-00 | RES., FXD, FILM: 150K OHM, 1%, 0.125W |
| A60R1045 | 315-0102-00 | RES., FXD, CMPSN: 1K OHM, 5%, 0.25W |
| A60R1046 | 311-1915-00 | RES., VAR, NONWIR: 20K OHM, 10%, 0.5W |
| A60R1047 | 315-0152-00 | RES., FXD, CMPSN: 1.5K OHM, 5%, 0.25W |
| A60R1048 | 311-1921-00 | RES., VAR, NONWIR: 250 OHM, 10%, 0.5W |
| A60R1049 | 315-0102-00 | RES., FXD, CMSPN: 1K OHM, 5%, 0.25W |
| A60R2015 | 307-0446-00 | RES., NTWK, FXD, FI: 10K OHM, 20%, (9) RES |
| A60R2022 | 317-0102-00 | RES., FXD, CMSPN: 1K OHM, 5%, 0.125W |
| A60R2025 | 315-0152-00 | RES., FXD, CMPSN: 1.5K OHM, 5%, 0.25W |
| A60R2027 | 315-0203-00 | RES., FXD, CMSPN: 20K OHM, 5%, 0.25W |

DESCRIPTION

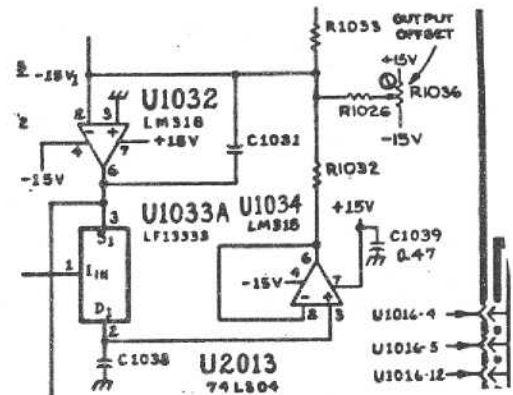
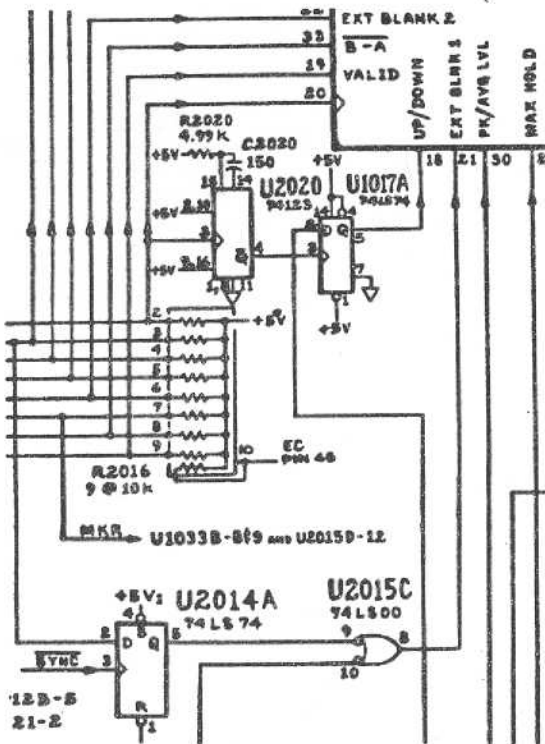
| | | |
|----------|-------------|--|
| A60R2033 | 307-0446-00 | RES.,NTWK,FXD FI:10K OHM,20%,(9) RES |
| A60R2035 | 315-0272-00 | RES.,FXD,CMPSN:2.7K OHM,5%,0.25W |
| A60R2040 | 321-0199-00 | RES.,FXD,FILM:1.15K OHM,1%,0.125W |
| A60R2041 | 321-0277-00 | RES.,FXD,FILM:7.50K OHM,1%,0.125W |
| A60R2042 | 321-0412-00 | RES.,FXD,FILM:191K OHM,1%,0.125W |
| A60R2043 | 321-0277-00 | RES.,FXD,FILM:7.5K OHM,1%,0.125W |
| A60R2044 | 321-0277-00 | RES.,FXD,FILM:7.5K OHM,1%,0.125W |
| A60R2045 | 321-0232-00 | RES.,FXD,FILM:2.55K OHM,1%,0.125W |
| A60R2046 | 321-0232-00 | RES.,FXD,FILM:2.55K OHM,1%,0.125W |
| A60R2047 | 315-0102-00 | RES.,FXD,CMPSN:1K OHM,5%,0.25W |
| A60R2048 | 315-0103-00 | RES.,FXD,CMPSN:10K OHM,5%,0.25W |
| A60R2049 | 321-0412-00 | RES.,FXD,FILM:191K OHM,1%,0.125W |
| A60U1014 | 156-0388-03 | MICROCIRCUIT,DI:DUAL D FLIP-FLOP |
| A60U1015 | 156-0480-02 | MICROCIRCUIT,DI:QUAD 2 INP & GATE |
| A60U1016 | 156-0852-02 | MICROCIRCUIT,DI:SYNC 4-BIT COUNTER |
| A60U1022 | 156-0391-02 | MICROCIRCUIT,DI:HEX LATCH W/CLEAR |
| A60U1023 | 156-0852-02 | MICROCIRCUIT,DI:HEX DRIVER W/3-STATE |
| A60U1024 | 156-0388-03 | MICROCIRCUIT,DI:DUAL D FLIP-FLOP |
| A60U1026 | 156-0987-00 | MICROCIRCUIT,DI:4096 X 1 STATIC R/W RAM |
| A60U1027 | 156-0391-02 | MICROCIRCUIT,DI:HEX LATCH W/CLEAR |
| A60U1033 | 156-0172-02 | MICROCIRCUIT,DI:DUAL |
| A60U1035 | 156-0465-02 | MICROCIRCUIT,DI:8 INP NAND GATE |
| A60U1041 | 156-1320-00 | MICROCIRCUIT,DI:8 INP OR NON GATE |
| A60U1042 | 156-0927-02 | MICROCIRCUIT,LI:DIGITAL/ANALOG CONVERTER |
| A60U1045 | 156-1226-00 | MICROCIRCUIT,LI:DUAL COMPARATOR,14 DIP |
| A60U2014 | 156-0844-02 | MICROCIRCUIT,DI:SYNC 4-BIT BIN COUNTER |
| A60U2015 | 156-0385-02 | MICROCIRCUIT,DI:HEX INVERTER |
| A60U2016 | 156-0844-02 | MICROCIRCUIT,DI:SYNC 4-BIT BIN COUNTER |
| A60U2017 | 156-0480-02 | MICROCIRCUIT,DI:QUAD 2 INP & GATE |
| A60U2023 | 156-0844-02 | MICROCIRCUIT,DI:SYNC 4-BIT BIN COUNTER |
| A60U2024 | 156-0844-02 | MICROCIRCUIT,DI:SYNC 4-BIT BIN COUNTER |
| A60U2025 | 156-0382-02 | MICROCIRCUIT,DI:QUAD 2 INP & GATE |
| A60U2026 | 156-0987-00 | MICROCIRCUIT,DI:4096 X 1 STATIC R/W RAM |
| A60U2027 | 156-1220-01 | MICROCIRCUIT,DI:HEX BUS DRIVER |
| A60U2035 | 155-0158-00 | MICROCIRCUIT,DI:DIGITAL STORAGE HORIZONTAL |
| A60U2042 | 156-0927-02 | MICROCIRCUIT,LI:DIGITAL/ANALOG CONVERTER |
| A60U2046 | 156-1126-01 | MICROCIRCUIT,LI:VOLTAGE COMPARATOR,SEL |
| A60U2047 | 156-1272-00 | MICROCIRCUIT,LI:DUAL OPERATIONAL AMPLIFIER |

DESCRIPTION

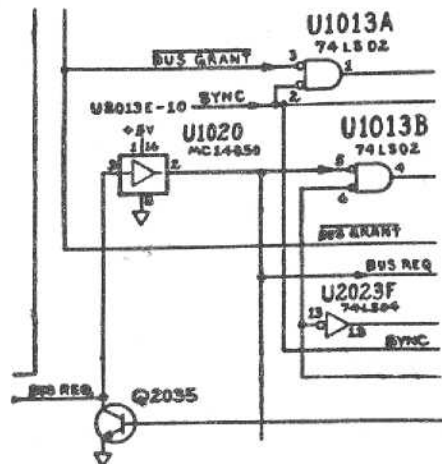
| | | |
|-----------|-------------|--|
| A61 | 670-5554-03 | CKT BOARD ASSY: DIGITAL STORAGE (OPTION 02 ONLY) |
| A61C1039* | 283-0221-00 | CAP., FXD, CER DI: 0.47UF, 20%, 50V |
| A61C2020* | 283-0139-00 | CAP., FXD, CER DI: 150PF, 20%, 50V |
| A61L2032 | 108-0537-00 | COIL, RF: 200UH |
| A61L2033 | 108-0537-00 | COIL, RF: 200UH |
| A61L2034 | 108-0537-00 | COIL, RF: 200UH |
| A61L2035 | 108-0537-00 | COIL, RF: 200UH |
| A60R2020* | 321-0260-00 | RES., FXD, FILM: 4.99K OHM, 1%, 0.125W |
| A61U1020* | 156-0330-02 | MICROCIRCUIT, DI: HEX BUFFER |
| A61U2020* | 156-0172-02 | MICROCIRCUIT, DI: DUAL RETRIG MONOSTABLE W/CLEAR |

The above parts are located on the A61 VERTICAL DIGITAL STORAGE BD and shown on diagram 26 DIGITAL STORAGE, VERTICAL - Partical schematic included

*Denotes added parts.



NOTE
C1039 MOUNTED ON
BACK OF BOARD



Date: 10-7-82 Change Reference: M48500

Product: 496/496P Spectrum Analyzer Serv. Vol. 2 Manual Part No.: 070-3482-00

DESCRIPTION

EFF SN B010470


ELECTRICAL PARTS LIST AND SCHEMATIC CHANGES

CHANGE TO:

| | | |
|----------|-------------|---|
| A46 | 670-5547-03 | CKT BOARD ASSY: CENTER FREQ CONTROL |
| A46U1Q44 | 156-1851-00 | MICROCIRCUIT, LI: OPERATIONAL AMPLIFIER |
| A46U2046 | 156-1582-00 | MICROCIRCUIT, LI: OPERATIONAL AMPLIFIER |
| A46U3042 | 156-1851-00 | MICROCIRCUIT, LI: OPERATIONAL AMPLIFIER |
| A46U3046 | 156-1582-00 | MICROCIRCUIT, LI: OPERATIONAL AMPLIFIER |

REMOVE:

| | | |
|----------|-------------|-----------------------------------|
| A46C1042 | 283-0330-00 | CAP., FXD, CER DI: 100PF, 5%, 50V |
| A46C1043 | 283-0330-00 | CAP., FXD, CER DI: 100PF, 5%, 50V |
| A46C2045 | 283-0330-00 | CAP., FXD, CER DI: 100PF, 5%, 50V |
| A46C3038 | 283-0330-00 | CAP., FXD, CER DI: 100PF, 5%, 50V |
| A46C3039 | 283-0330-00 | CAP., FXD, CER DI: 100PF, 5%, 50V |
| A46C3044 | 283-0330-00 | CAP., FXD, CER DI: 100PF, 5%, 50V |

The above parts are located on the A46 CENTER FREQUENCY CONTROL board and shown on diagram  CENTER FREQUENCY CONTROL

TEKTRONIX MANUALS CHANGE INFORMATION

Date: 6-27-83
Product: see below
Manual Part No.: see below
Change Reference: M51706

DESCRIPTION

=====
EFF SN B043380 492/492P 070-3784-01
EFF SN B010705 496/496P 070-3482-00
EFF SN B610705 492/6 & 492P/6 070-4233-00
=====

21
23
23

ELECTRICAL PARTS LIST AND SCHEMATIC CHANGES

CHANGE TO:

| | | |
|-----------|-------------|---|
| A62 | 670-5548-03 | CKT BOARD ASSY: DEFLECTION AMP |
| A62R1011* | 321-0155-00 | RES., FXD, FILM: 402 OHM, 1%, 0.125W |
| A62R1056 | 321-0079-00 | RES., FXD, FILM: 64.9 OHM, 1%, 0.125W |
| A62R1060* | 321-0325-00 | RES., FXD, FILM: 23.7K OHM, 1%, 0.125W |
| A62R1076 | 321-0065-00 | RES., FXD, FILM: 46.4 OHM, 0.5%, 0.125W |
| A62R1080* | 321-0325-00 | RES., FXD, FILM: 23.7K OHM, 1%, 0.125W |
| A62R1084 | 321-0325-00 | RES., FXD, FILM: 23.7K OHM, 1%, 0.125W |
| A62R1086 | 321-0126-00 | RES., FXD, FILM: 200 OHM, 1%, 0.125W |
| A62R1090* | 321-0325-00 | RES., FXD, FILM: 23.7K OHM, 1%, 0.125W |
| A62R2076 | 321-0253-00 | RES., FXD, FILM: 4.22K OHM, 1%, 0.125W |
| A62R2078 | 321-0291-00 | RES., FXD, FILM: 10.5K OHM, 1%, 0.125W |
| A62R3082 | 321-0294-00 | RES., FXD, FILM: 11.3K OHM, 1%, 0.125W |
| A62R3102 | 321-0106-00 | RES., FXD, FILM: 124 OHM, 1%, 0.125W |
| A62R3105 | 321-0089-00 | RES., FXD, FILM: 82.5 OHM, 1%, 0.125W |
| A62R5015 | 321-0139-00 | RES., FXD, FILM: 274 OHM, 1%, 0.125W |
| A62W1023* | 131-0566-00 | DUMMY RES.: 0.094 ODX0.225 |
| A62W2013* | 131-0566-00 | DUMMY RES.: 0.094 ODX0.225 |

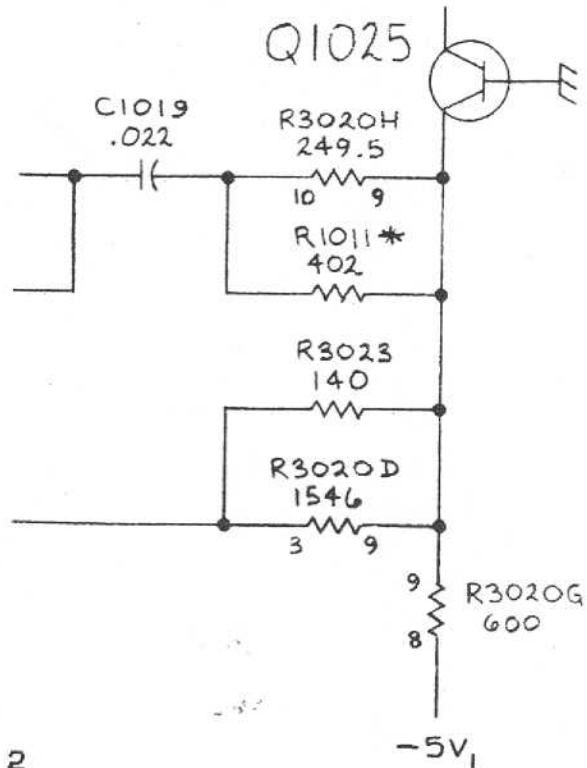
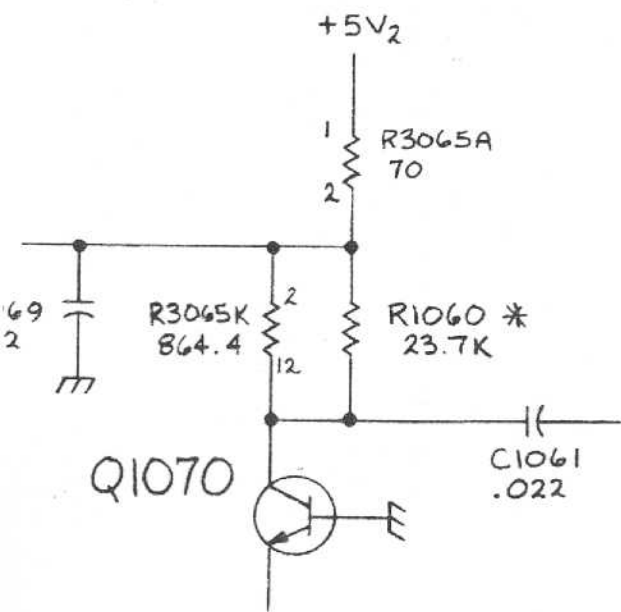
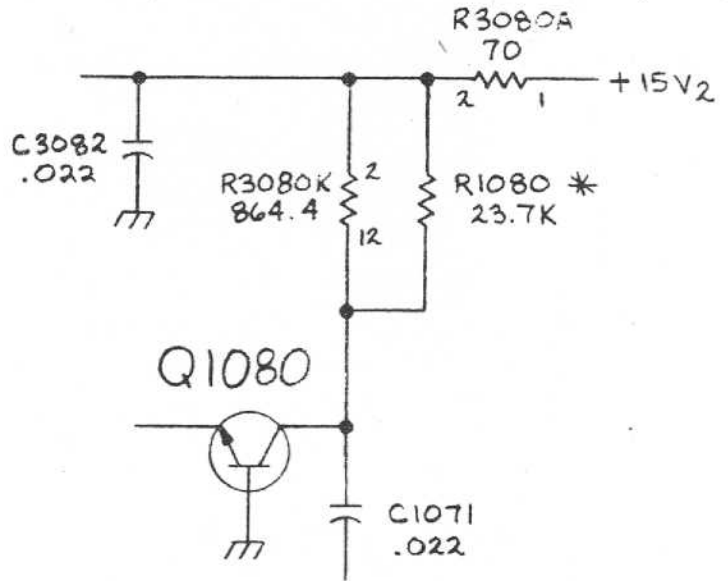
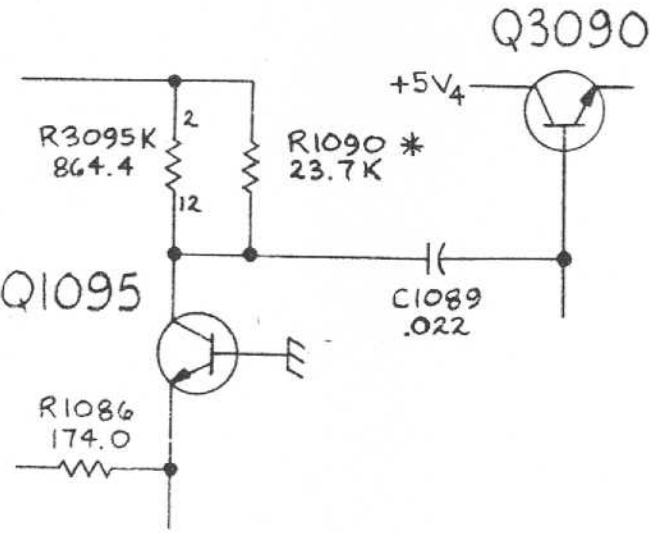
REMOVE:

| | | |
|----------|-------------|--|
| A62R1023 | 321-0258-00 | RES., FXD, FILM: 4.75K OHM, 1%, 0.125W |
| A62R2013 | 321-0226-00 | RES., FXD, FILM: 2.21K OHM, 1%, 0.125W |

R1011, R1060, R1080 and R1090 are mounted on the back of the board. The powersupply voltages on R5021 and R5022 have been reversed. R5022 now goes to +15V, R5021 goes to -15V.

The above parts are located on the P/D A62 LOG 7 VIDED AMPL BOARD and shown on the LOG AMPLIFIER AND DETECTOR diagram - Partial of changes included on following page:

*DENOTES ADDED PARTS



TEKTRONIX MANUALS CHANGE INFORMATION

Date: 6-6-83 Rev.
 Product: see below
 Manual Part No.: see below
 Change Reference: M51482

DESCRIPTION

Revised 7-7-83

EFF SN B043350 (492/492P) 070-3784-01
 EFF SN B010700 (496/496P) 070-3482-00
 EFF SN B610700 (492/6 & 492P/6) 070-4233-00

ELECTRICAL PARTS LIST AND SCHEMATIC CHANGES

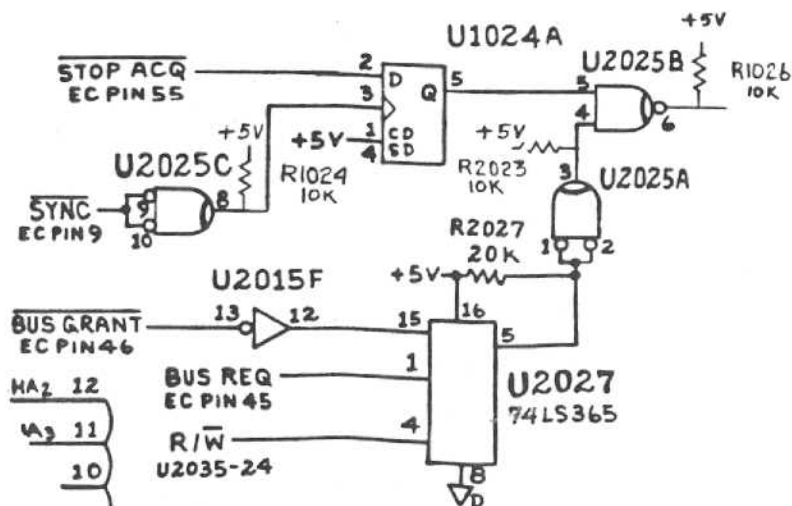
CHANGE TO:

A60 670-5555-03 CKT BOARD ASSY; DIGITAL STORAGE HORIZ
 (OPTION 02 ONLY)
 A60U2025 156-0384-02 MICROCIRCUIT, DI; QUAD 2 INP & GATE

ADD:

A60R1024 317-0103-00 RES., FXD, CMPSN: 10K OHM, 5%, 0.125W
 A60R1026 317-0103-00 RES., FXD, CMPSN: 10K OHM, 5%, 0.125W
 A60R2023 317-0103-00 RES., FXD, CMPSN: 10K OHM, 5%, 0.125W

The above added parts are located on the A60 HORIZONTAL DIGITAL STORAGE B
 shown on diagrams, 492/492P, 496/496P, 492/6 & 492/6P partial



TEKTRONIX MANUALS CHANGE INFORMATION

Date: 6-14-83
Product: see below
Manual Part No.: see below
Change Reference: M50642

DESCRIPTION

=====
EFF SN B043170 (492/492P) 070-3784-01
EFF SN B010650 (496/496P) 070-3482-00
EFF SN B610650 (492/6 & 492P/6) 070-4233-00

ELECTRICAL PARTS LIST AND SCHEMATIC CHANGES

CHANGE TO

| | | | |
|----------|-------------|---|-------------------------------|
| A44R1028 | 321-0326-00 | RES., FXD, FILM. 24. 3K OHM, 1%, 0. 125W (TEST SELECTABLE) | (492/492P) |
| | | | ◇ 36 |
| A44R1025 | 321-0322-00 | RES., FXD, FILM. 22. 1K OHM, 1%, 0. 125W (TEST SELECTABLE) | (496/496P, 492/6 & 492P/6) |
| | | | ◇ 35 |

The above parts are located on the A44 1ST LO DRIVER BD.

368