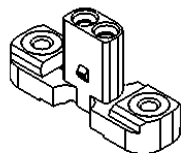
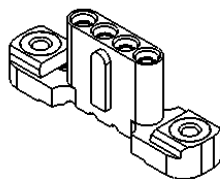
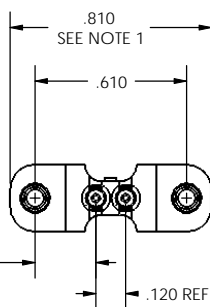
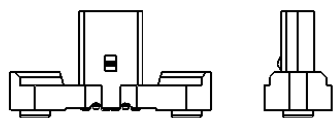


THE INFORMATION CONTAINED IN THIS DRAWING IS THE SOLE PROPERTY OF W.L. GORE & ASSOCIATES, INC. ANY REPRODUCTION IN PART OR WHOLE WITHOUT THE WRITTEN PERMISSION OF W.L. GORE & ASSOCIATES, INC. IS PROHIBITED.

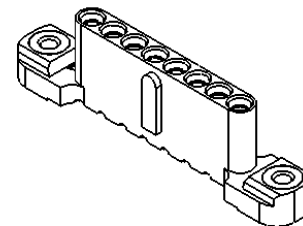
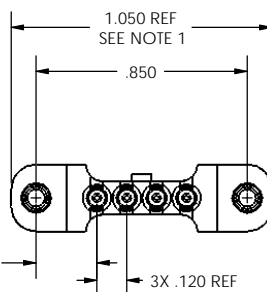
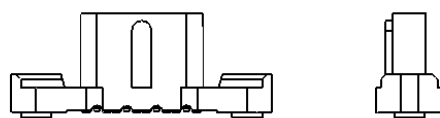
REVISIONS		
REV.	DESCRIPTION	DATE



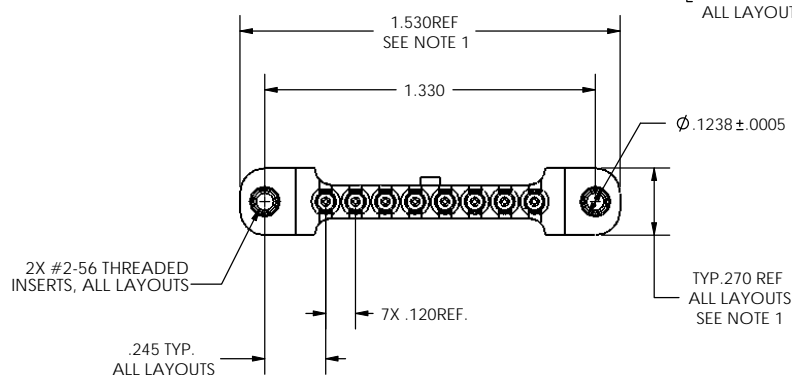
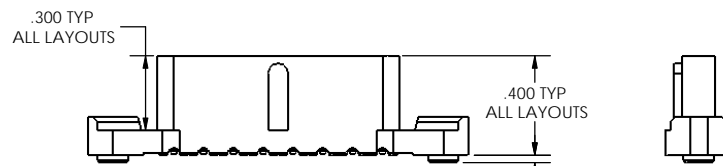
P/N HFN1460-02
1X2



P/N HFN1460-04
1X4



P/N HFN1460-08
1X8

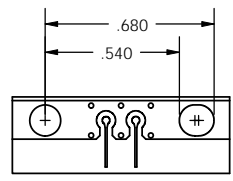


- NOTES:
1. DIMENSIONS DEFINE MINIMUM KEEP-OUT AREA FOR COMPONENTS ABOVE THE SURFACE OF THE PCB.
 2. CIRCUIT BOARD LAYOUTS SHOWN IN DETAIL VIEWS ON SHEET 2 ARE RECOMMENDED FOOTPRINTS ONLY.
 3. SUBJECT TO REVISION WITHOUT NOTICE. CONTACT W.L. GORE TO CONFIRM CURRENT DRAWING REVISION.
 4. DESIGNED TO MEET RoHS SPEC (DIRECTIVE 2002/95/EU).
 5. #2-56 MOUNTING SCREW LENGTH REQUIRED IS DEPENDENT ON BOARD THICKNESS. SCREWS ARE NOT PROVIDED WITH THE ASSEMBLY.

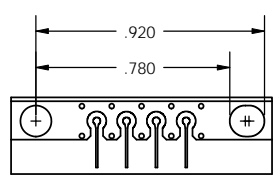
UNLESS OTHERWISE SPECIFIED DIMENSIONS ARE INCHES TOLERANCES ARE: DECIMALS .XX ± .01 .XXX ± .003 .XXXX ± .001 All unmarked radii = 0.01	CAD GENERATED DRAWING. DO NOT MANUALLY UPDATE.		W.L. Gore & Associates, Inc 402 Vieve's Way Elkton, MD 21921
	APPROVALS	DATE	
DRAWN	S.BOLLINGER	03-12-08	SINGLE PIECE 15 GHz UHD SURFACE MOUNT HEADER ASSEMBLY WITH SPACE RESERVED FOR LATCHING
CHECKED			
MATERIAL	RESP ENG	03-12-08	SIZE: B DWG. NO. HFN1460-XX CAD PATH:
FINISH	MFG ENG		
DO NOT SCALE DRAWING	SolidWorks file		REV: A SHEET 1 OF 2

THE INFORMATION CONTAINED IN THIS DRAWING IS THE SOLE PROPERTY OF W.L. GORE & ASSOCIATES, INC. ANY REPRODUCTION IN PART OR WHOLE WITHOUT THE WRITTEN PERMISSION OF W.L. GORE & ASSOCIATES, INC. IS PROHIBITED.

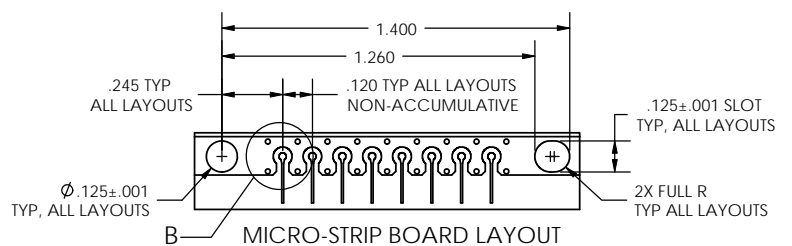
REVISIONS		
REV.	DESCRIPTION	DATE



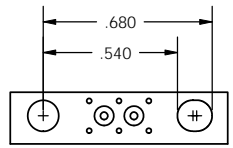
MICRO-STRIP BOARD LAYOUT



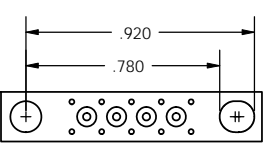
MICRO-STRIP BOARD LAYOUT



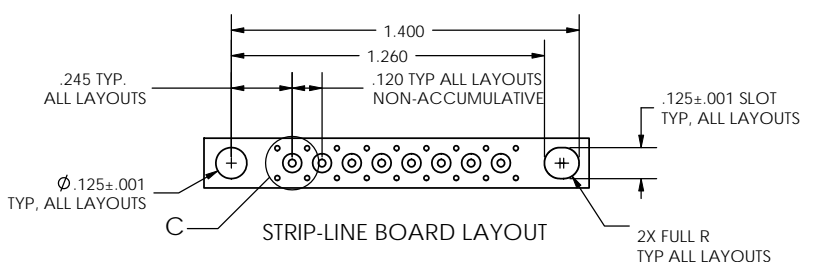
MICRO-STRIP BOARD LAYOUT



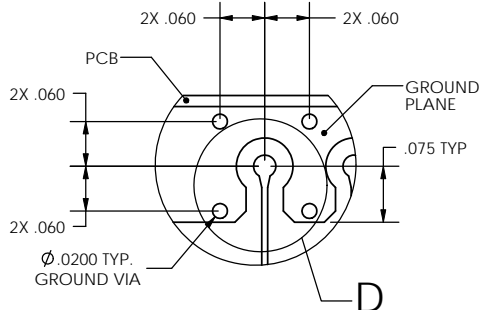
STRIP-LINE BOARD LAYOUT



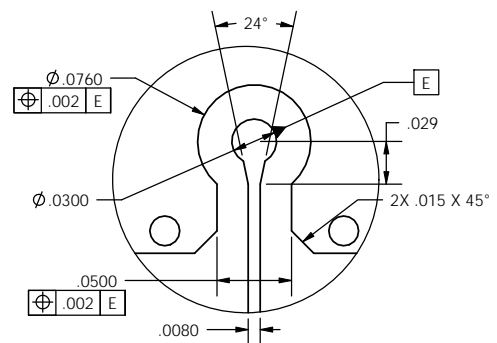
STRIP-LINE BOARD LAYOUT



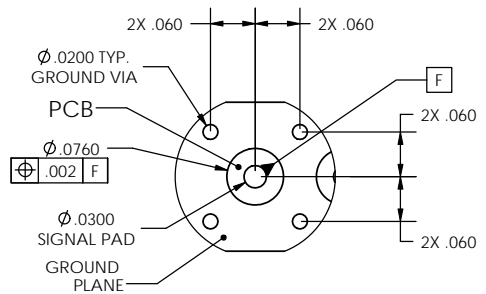
STRIP-LINE BOARD LAYOUT



MICRO-STRIP BOARD LAYOUT
TYP DIMENSIONS, ALL LAYOUTS
DETAIL B
SCALE 6 : 1



DETAIL D
SCALE 12 : 1



STRIP-LINE BOARD LAYOUT
TYP DIMENSIONS, ALL LAYOUTS
DETAIL C
SCALE 6 : 1

UNLESS OTHERWISE SPECIFIED DIMENSIONS ARE IN INCHES TOLERANCES ARE: DECIMALS ANGLES .XX ± .01 ±2 DEG .XXX ± .003 .XXXX ± .001 All unmarked radii = 0.01	CAD GENERATED DRAWING. DO NOT MANUALLY UPDATE.		W.L. Gore & Associates, Inc 402 Vieve's Way Elkton, MD 21921		
	APPROVALS DRAWN S. BOLLINGER 03-12-08 CHECKED		SINGLE PIECE 15 GHz UHD SURFACE MOUNT HEADER ASSEMBLY RECOMMENDED PCB LAYOUT		
	MATERIAL NA FINISH NA	RESP ENG M. GOODRICH 03-12-08 MFG ENG	SIZE B DWG. NO. HFN1460-XX CAD PATH:	REV. A SHEET 2 OF 2	
	DO NOT SCALE DRAWING		SolidWorks file	DATE	