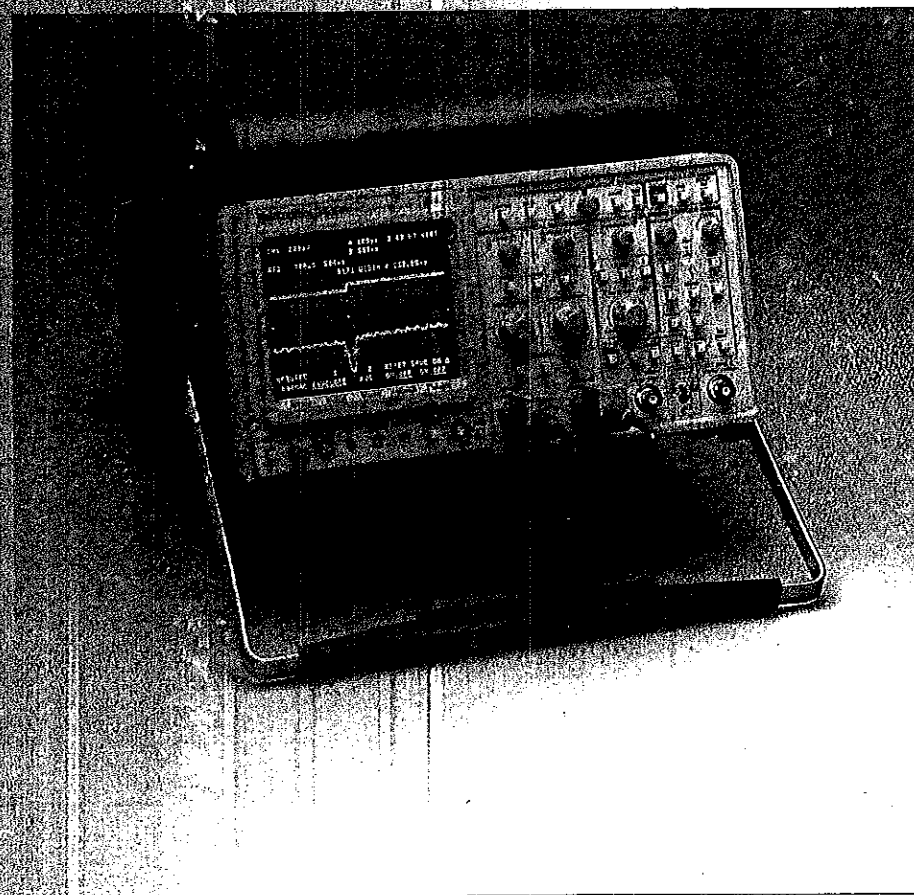


TEK

070-6339-02  
Product Group 37


# 2430A

## DIGITAL OSCILLOSCOPE USER REFERENCE GUIDE



Copyright © 1989 Tektronix, Inc. All rights reserved. Contents of this publication may not be reproduced in any form without the written permission of Tektronix, Inc.

Products of Tektronix, Inc. and its subsidiaries are covered by U.S. and foreign patents and/or pending patents.

TEKTRONIX, TEK, SCOPE-MOBILE, and  are registered trademarks of Tektronix, Inc.

Printed in U.S.A. Specification and price change privileges are reserved.

## INSTRUMENT SERIAL NUMBERS

Each instrument has a serial number on a panel insert, tag, or stamped on the chassis. The first number or letter designates the country of manufacture. The last five digits of the serial number are assigned sequentially and are unique to each instrument. Those manufactured in the United States have six unique digits. The country of manufacture is identified as follows:

|         |  |
|---------|--|
| B000000 | Tektronix, Inc., Beaverton, Oregon, USA            |
| G100000 | Tektronix Guernsey, Ltd., Channel Islands          |
| E200000 | Tektronix United Kingdom, Ltd., Marlow             |
| J300000 | Sony/Tektronix, Japan                              |
| H700000 | Tektronix Holland, NV, Heerenveen, The Netherlands |
| HK00000 | Tektronix, Inc., Hong Kong                         |

First Printing May 1989  
Revised June 1989

## Contents

|                                    | <i>Page</i> |
|------------------------------------|-------------|
| Preface.....                       | iii         |
| 1 Getting Started/Front Panel..... | 1           |
| 2 CRT Readout Display.....         | 4           |
| 3 STATUS Menu.....                 | 5           |
| 4 Powering Up.....                 | 7           |
| 5 CRT Display Menus.....           | 10          |
| 6 Auto Setup.....                  | 12          |
| 7 PRGM AutoStep.....               | 14          |
| 8 Measure.....                     | 17          |
| 9 Output.....                      | 21          |
| 10 Vertical.....                   | 23          |

|    |                                  |    |
|----|----------------------------------|----|
| 11 | Horizontal.....                  | 26 |
| 12 | Cursors .....                    | 27 |
| 13 | Delay Functions .....            | 30 |
| 14 | Triggering.....                  | 32 |
| 15 | A Triggering .....               | 36 |
| 16 | B Triggering .....               | 38 |
| 17 | Acquisition.....                 | 41 |
| 18 | Save and Display Reference ..... | 43 |
| 19 | GPIB Status.....                 | 45 |

## Illustrations

| Figure |   | Page |
|--------|---|------|
| 1      | Front Panel Buttons and Controls.....   | 3    |
| 2      | CRT Readout Display .....   | 4    |
| 3      | Status Menu Display .....   | 5    |
| 4      | POWER and MENU OFF Button.....  | 7    |
| 5      | INTENSITY Control, SELECT and STATUS/HELP Buttons.....                        | 10   |
| 6      | AUTO SETUP Button .....   | 12   |
| 7      | PRGM Button.....  | 14   |
| 8      | MEASURE Button.....   | 18   |
| 9      | OUTPUT Button.....  | 21   |
| 10a    | Vertical Buttons and Controls .....   | 23   |
| 10b    | Vertical Buttons and Controls .....   | 24   |
| 11     | Horizontal Buttons and Controls.....  | 26   |
| 12     | Cursor Buttons and Controls .....   | 27   |
| 13     | Delay Buttons and Controls .....  | 30   |
| 14     | Trigger CPLG, SET VIDEO, and SET WORD Buttons .....                           | 32   |
| 15     | Trigger SOURCE, INIT @50%, and TRIG STATUS Buttons.....                       | 34   |
| 16     | A Trigger MODE, TRIG POSITION, A/B TRIG Buttons.....                          | 36   |
| 17     | B Trigger A/B TRIG, CPLG, INIT @50%, MODE, TRIG POSITION SOURCE Buttons ..... | 38   |
| 18     | Storage ACQUIRE Button .....  | 40   |
| 19     | Storage SAVE and DISPLAY REF Button.....                                      | 43   |

# SAFETY NOTE

This manual is a quick reference guide to the 2430A features. *It does not replace the 2430A Operators manual.* The 2430A Operators manual contains information related to safe use of this instrument as well as information necessary to prevent damage to the instrument or to other property. *Users should refer to the 2430A Operators manual before operating this instrument.* In particular, read the *Operators Safety Summary* at the beginning of the Operators manual, and "Preparation for Use" in Section 1.

# GETTING STARTED

See Front Panel (Figure 1) for locating the controls on the 2430A.

## Power On

Press the POWER switch, located on the front panel below the CRT.

The 2430A performs a power-on test each time it is turned on. When the test progresses to the point of being able to display, the message "RUNNING SELF TEST" is shown on the CRT. At the end of the self test, the message is removed.

If the 2430A fails the self test, it will enter the extended diagnostics (see "MENU OFF/EXTENDED FUNCTIONS" below for explanation). The 2430A may still be usable if the failed area does not affect the measurements to be made. Press MENU OFF to exit extended diagnostic and enter Scope mode.

The CAL/DIAG menu displays the message "NOT WARMED UP" for ten minutes after each power-on.

## Menu Off/Extended Functions

In the CAL/DIAG menu, PASS or FAIL indicates the results of the last calibration or self diagnostic run. No label will appear if calibration has not been run since the last cold start.<sup>a</sup> If an "UNCALD" message appears in the extended diagnostics menu, it may indicate that the last attempt of extended calibration failed. In this case, allow the 2430A to warm up and do a SELF CAL. If the UNCALD message persists after a SELF CAL or some other area has failed, the previous calibration constants will not be overwritten, and the scope may be used. However, calibration should be checked by referring the instrument to a qualified service person. Press MENU OFF to exit extended diagnostics and enter Scope mode. More information on the self test and diagnostics is found in Appendix A of the Operators Manual.

<sup>a</sup>Cold Start is a complete initialization of the system, done only at the factory.

## Initialization

Connect a standard accessory probe to the CH 1 input BNC.

Connect the probe tip to the CALIBRATOR loop; connect the probe ground lead to scope ground.

Press the PRGM SETUP button, located below the A AND B SEC/DIV knob.

Select INIT PANEL menu choice by pressing the bezel button directly below the INIT PANEL menu label.

The initial settings for major front-panel controls are as follows:

|                         |                     |
|-------------------------|---------------------|
| VERTICAL MODE           | CH 1                |
| CH 1 and CH 2 VOLTS/DIV | 1V (With 10X probe) |
| A AND B SEC/DIV         | 1 ms                |
| TRIGGER MODE            | AUTO LEVEL          |
| TRIGGER SOURCE          | VERT (CH 1)         |
| Input Coupling          | 1 MΩ DC             |
| STORAGE MODE            | ACQUIRE             |
| ACQUIRE MODE            | NORM                |

Verify that CH 1 Vertical Mode is selected (CH1 VOLT/DIV readout is in upper left corner of CRT). If CH 1 Vertical Mode is not selected, press Vertical MODE button and select CH 1 (see Section 10, *Vertical Mode*).

Press ACQUIRE button on front panel.

### NOTE

Connecting a probe to the signal source and pressing the Auto Setup front-panel button will provide a scaled and triggered display. If no vertical channel is selected AUTO Setup will default to Channel 1. Auto Setup will not change the channel selected if either or both of the two channels are on. If the display intensity is set too low and the scaled display is not easy to see, Auto Setup boosts intensity so the display can be seen. Auto Setup does not affect readout or graticule intensity.

## FRONT PANEL

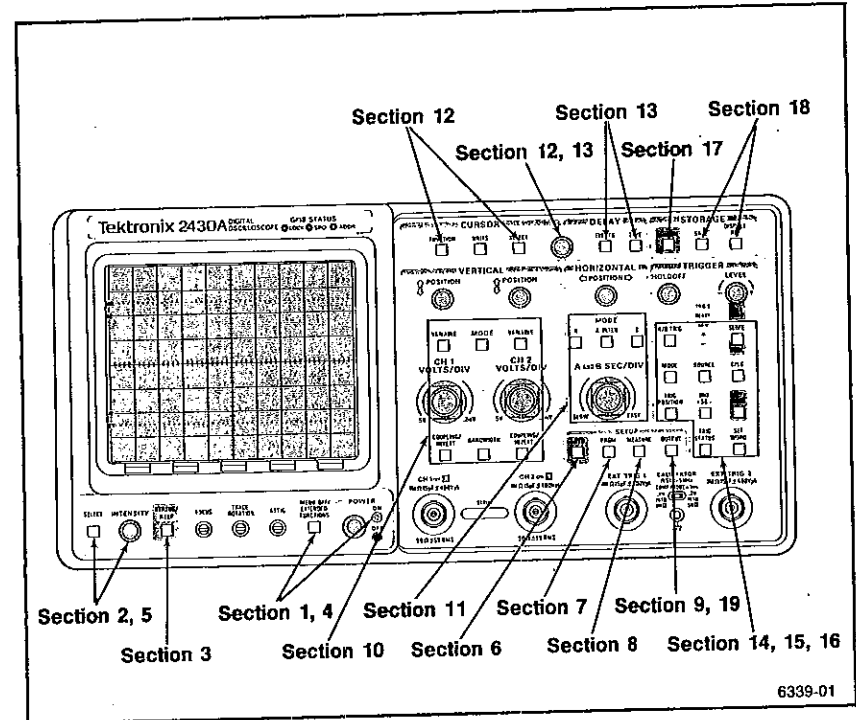


Figure 1. Front Panel buttons and Controls.



The Status Menu display will appear on screen when the STATUS/HELP front-panel button is selected. It provides an overview of instrument configuration at the time the selection is made. This menu will enable you to determine if you are currently operating in the desired modes, or if you are set in a conflicting mode (causing the instrument to appear to operate incorrectly). Special attention should be paid to the TRIGGER STATUS comment and the ACQ MODE statement in the lower-left quadrant of the screen, which enables you to determine the instrument's current activity.

You should become very familiar with this entire menu and the location and meaning of the readout characters. They will help you determine the cause of possible operational difficulties.

## POWERING UP

- ① **POWER Button** Does a power-on self test with each turn on. (See Section 1 for a more detailed description of POWER.)
- ② **MENU OFF/EXTENDED FUNCTIONS Button** Turns off any displayed menu or turns on the EXTENDED FUNCTIONS menu if a menu is not being displayed. When pressed to remove a menu display, all the scope hardware is reset to match the soft front-panel settings. Messages sent via GPIB will be erased. (See Section 1 for more a detailed description of MENU OFF/EXTENDED FUNCTIONS.)

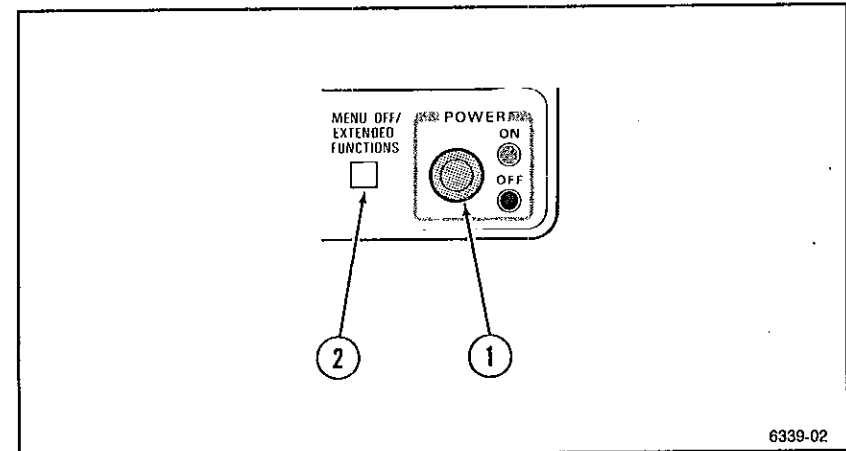


Figure 4. POWER and MENU OFF Button.

| Menu Off/Extended Functions Menu |   |
|----------------------------------|---|
| 2. MENU OFF/EXTENDED FUNCTIONS   | Turns off any menu being displayed or, if none is on, calls up the EXTENDED FUNCTIONS menus. See Appendix A in the Operators Manual for the Extended Functions Calibration and Diagnostics menus.<br><br>EXT FUNCT<br><br>SYSTEM SPECIAL CAL/DIAG |
|                                  | Second-level menu for SYSTEM.<br><br>PREFLT<br>PANEL MISC ON:OFF VIDEO OPT  |
|                                  | Third-level menu for PANEL.<br><br>---TEKSECURE---<br>PWR ON ERASE<br>LAST:INIT MEMORY ↑  |
|                                  | Fourth-level menu for TEKSECURE ERASE MEMORY.<br>WARNING: WFM & PRGM MEMORY WILL BE ERASED.<br><br>ERASE  |
|                                  | Third-level menu for MISC.<br><br>ROLL<br>BELL TRIG T AUTO MENU<br>ON:OFF ON:OFF PROBE ON:OFF ↑   |
|                                  | Fourth-Level menu for AUTO PROBE.<br>SELECT PROBE IDENTIFY FUNCTION<br><br>AUTO STEP SAVE/<br>SETUP PRGM INIT@50% ACQUIRE ↑   |
|                                  | Third-level menu for SYSTEM VIDEO OPT.<br><br>TV SYS CNT RST<br>M:NON/M BOTH:F1 ↑   |
|                                  | Second-level menu for SPECIAL.<br><br>WARNING: SERVICE ONLY--SEE MANUAL (if enabled)<br>DISABLED--SEE MANUAL (if disabled)<br><br>COLD CCD CCD CAL PATH FORCE<br>START SIDES ADJ ON:OFF DAC   |
|                                  | Second-level menu for CAL/DIAG.<br><br><status> <status> <status> NOT WARMED UP<br>SELF EXT SELF EXT<br>CAL CAL DIAG DIAG   |



|  | Second-level menu for CAL/DIAG.<br><br><status> <status> <status> NOT WARMED UP<br>SELF EXT SELF EXT<br>CAL CAL DIAG DIAG  |
|--|--|
| Menu Off/Extended Functions Menu<br>(Instruments Serial # B019999 & Below) |  |
| 2. MENU OFF/EXTENDED FUNCTIONS   | Turns off any menu being displayed or, if none are on, calls up the EXTENDED FUNCTIONS menus. See Appendix A in the Operators Manual for the Extended Functions Calibration and Diagnostics menus:<br><br>EXT FUNCT<br><br>SYSTEM SPECIAL CAL/DIAG |
|  | Second-level menu for SYSTEM.<br><br>PREFLT<br>PANEL MISC ON:OFF VIDEO OPT   |
|  | Third-level menu for SYSTEM PANEL.<br><br>PWR ON<br>LAST:INIT ↑  |
|  | Third-level menu for SYSTEM MISC.<br><br>BELL TRIG T<br>ON:OFF ON:OFF ↑  |
|  | Third-level menu for SYSTEM VIDEO OPT.<br><br>TV SYS CNT RST<br>M:NON/M BOTH:F1 ↑  |
|  | Second-level menu for SPECIAL.<br><br>WARNING: SERVICE ONLY--SEE MANUAL (if enabled)<br>DISABLED--SEE MANUAL (if disabled)<br><br>COLD CAL PATH FORCE<br>START ON:OFF DAC  |
|  | Second-level menu for CAL/DIAG.<br><br><status> <status> <status> NOT WARMED UP<br>SELF EXT SELF EXT<br>CAL CAL DIAG DIAG  |



# CRT DISPLAY MENUS

① **INTENSITY Control** A continuous rotating pot, the Intensity control adjusts the intensity of any of four screen elements (readout, display, A INTEN zone, and graticule). It always controls the element last selected in the Select menu, except when STATUS is selected. It then controls the readout intensity.

② **SELECT Button** Toggles between readout and display after turning on the menu.

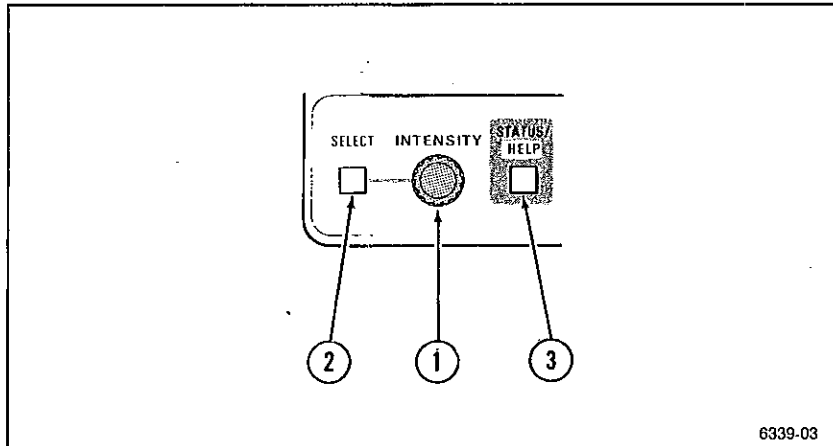


Figure 5. INTENSITY Control, SELECT and STATUS/HELP Buttons.

③ **STATUS/HELP Button** Pressing this button displays a Status menu (see Page 5) which can help you determine why a display is not seen or triggering is not occurring. Some common conditions to check for are:

- Channel called up?
- Display intensity setting?
- Ground indicator (+) and trigger position (T) at top or bottom edge (vertical position)?

Common triggering conditions:

- Single sequence on?
- Save Mode?
- Events on?
- Delay on?
- Trig wait state?
- Ext clk on?

The top three lines of the status menu update with front control changes. Remaining lines are updated with a press of the status button.

Pushing MENU OFF or calling up another menu turns off the status display.

HELP (see below).

## CRT Display On-Screen Menus

|                |   |
|----------------|---|
| 2. SELECT      | <p>INTENSITY READOUT DISP INTENS GRAT VECTORS ON:OFF</p> <p>INTENS: Controls brightness of intensified zone in A Intensified.</p> <p>GRAT: Controls graticule intensity.</p>  |
| 3. STATUS/HELP | <p>Presents an instrument status display (see Page 5) and increases the readout intensity to 65% to ensure visibility. Intensity adjustment will now control readout intensity. Intensity control will return to function selected before entering STATUS menu mode when the STATUS menu is removed.</p> <p>Pressing MENU OFF or any other front-panel control that requires a menu display removes the STATUS display from the CRT.</p> <p>When HELP mode is selected, operating any front-panel knob or button will cause a screen full of information to be displayed. If -MORE- appears at the lower-left corner of the screen, selection of MORE will cause additional information to be displayed. Press EXIT MENU to return to normal operation.</p> |

# AUTO SETUP

1 **AUTO SETUP Button** Selecting this button will cause the scope to set the vertical, horizontal, and triggers to display the input signal on the selected vertical channel or channels.

**View Mode** Selects sweep speed for 2-5 cycles on screen. Other modes optimize scaling for selected signal type.

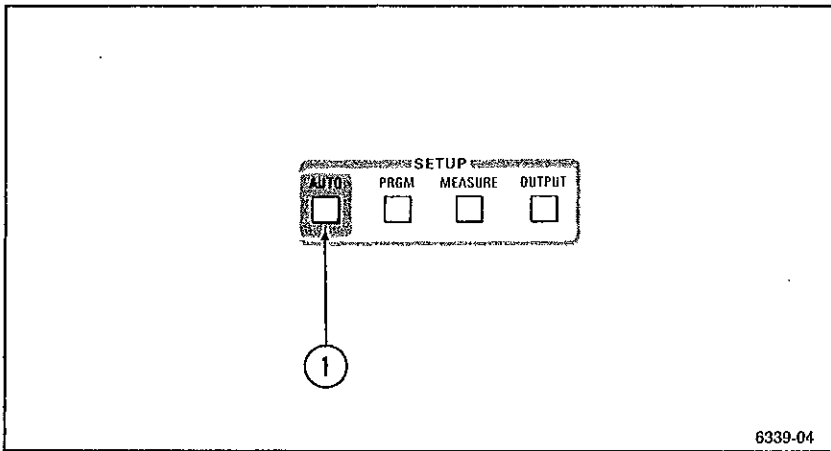


Figure 6. AUTO SETUP Button.

## Auto Setup On-Screen Menus

|               |      |        |       |  |              |
|---------------|------|--------|-------|--|--------------|
| 1. AUTO SETUP | VIEW | PERIOD | PULSE | EDGE  | RES<br>HI:LO |
|               |      |        |       |  |              |

**NOTE**

RES HI:LO only appears when in Measurement modes, (i.e., PERIOD, PULSE, or EDGE).

# PRGM AUTOSTEP

**2 PRGM Button** Selecting PRGM displays the AUTOSTEP SEQUENCER menu. This menu lets you save and recall typically 50 to 200 front-panel setups, and associated control and I/O actions, in as many as named test or measurement procedures.

To save a single front panel:

1. Press PRGM (Program) on front panel.
2. Select SAVE bezel button.
3. Select SAVE bezel button in second level menu.
4. Set up front panel that you want to save.
5. Press PRGM (Program) button on front panel.
6. Press SAVE SEQ bezel button.

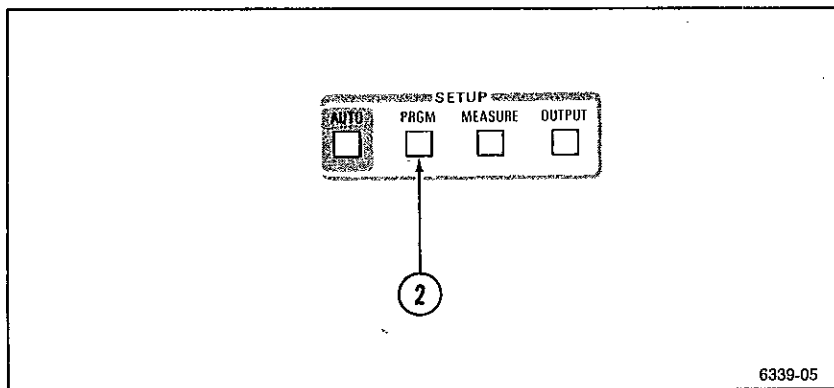


Figure 7. PRGM Button.

6339-05

## AutoStep Sequencer Control Menus

2. PRGM

```
-----AUTOSTEP SEQUENCER----- MEMORY nn%
SAVE  RECALL  DELETE  EDIT      INIT
                                           PANEL
```

Second-level menu for SAVE.

USE ARROW KEYS TO CHANGE NAME:

```
-----
ROLL-CHARS      CURSOR
↑                ↓      < >      SAVE      EXIT
```

Instruction message displayed after pushing SAVE. (This message is displayed any time the user is expected to setup the front-panel controls.)

```
SETUP CONTROLS, PUSH PRGM TO CONTINUE
SEQUENCE <name> STEP <num> MEMORY <%>
```

Third-level menu for second-level SAVE. This menu is displayed after pushing PRGM as directed in the instruction message.

```
SEQUENCE <name> STEP <num> MEMORY <%>
BEGIN STEP
REPEAT      <N>
SELF-CAL    <N>  PRINT/PLOT  <N>
SELF-TEST   <N>  BELL          <N>
LOAD PANEL  SRQ          <N>
AUTOSETUP   <N>  PAUSE         <N>
MEASUREMENTS PROJECT    <N>
                                END STEP
```

```
SET STEP ACTIONS
↑                ↓      Y|N      NEXT      SAVE
                                STEP      SEQ
```

| AutoStep Sequencer Control Menus (cont) |        |        |      |      |
|---|--------|--------|------|------|
| Second-level menu for RECALL.           |        |        |      |      |
| First Labeled Sequence                  |        |        |      |      |
| Second Labeled Sequence                 |        |        |      |      |
| nth Labeled Sequence                    |        |        |      |      |
| -----SELECT-----                        |        |        |      |      |
| ↑                                       | ↓      | RECALL | EXIT |      |
| Second-level menu for DELETE.           |        |        |      |      |
| First Labeled Sequence                  |        |        |      |      |
| Second Labeled Sequence                 |        |        |      |      |
| nth Labeled Sequence                    |        |        |      |      |
| -----SELECT-----                        |        |        |      |      |
| ↑                                       | ↓      | DELETE | EXIT |      |
| Second-level menu for EDIT.             |        |        |      |      |
| First Labeled Sequence                  |        |        |      |      |
| Second Labeled Sequence                 |        |        |      |      |
| nth Labeled Sequence                    |        |        |      |      |
| -----SELECT-----                        |        |        |      |      |
| ↑                                       | ↓      | EDIT   | COPY | EXIT |
| Third-level menu for EDIT.              |        |        |      |      |
| -----SELECT----- DELETE                 |        |        |      |      |
| ↑                                       | ↓      | TO BUF | ADD  | EXIT |
| Third-level menu for COPY.              |        |        |      |      |
| USE ARROW KEYS TO CHANGE NAME:          |        |        |      |      |
| -----                                   |        |        |      |      |
| ROLL-CHARS                              | CURSOR |        |      |      |
| ↑                                       | ↓      | < >    | SAVE | EXIT |
| Fourth-level menu for ADD.              |        |        |      |      |
| LOAD                                    |        |        |      |      |
| BUFFER                                  |        |        |      |      |
| EXIT                                    |        |        |      |      |

# MEASURE

3 **MEASURE Button**  
(Waveform Parameter Extraction)

Pressing this front panel button displays MEASURE menu on screen.

Provides selects for measurement type, setup and snapshots.

**NOTE**

In MEASURE menu, MARK ON selection turns on "X" markers that indicate measurement locations, i.e., 10%-90% risetime locations.

**NOTE**

If WINDOW menu is selected, time cursors must be manually selected. The cursors can then be set to bracket the portion of the waveform to be measured.

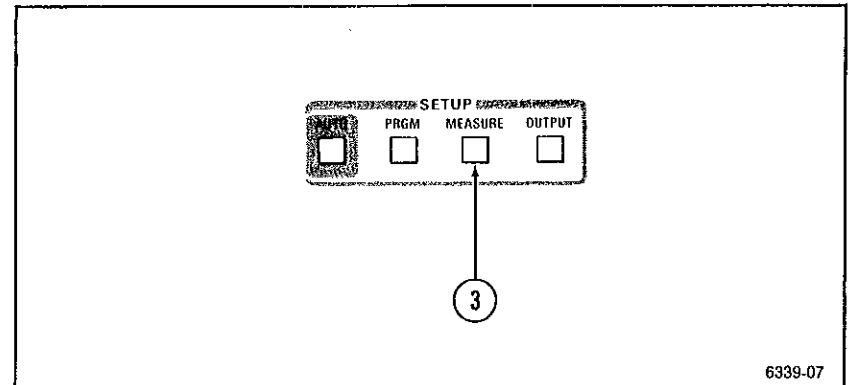


Figure 8. MEASURE Button.

| Measure Menus  |  |       |          |        |
|--|--|-------|----------|--------|
| 3. MEASURE   | MEAS   | SETUP | DISPLAY  | WINDOW |
|  | SNAPSHOT   | TYPE  | ON:OFF   | ON:OFF |
|  | Second-level menu for SNAPSHOT when more than one display source is displayed. |       |          |        |
|  | TARGET:  |       |          |        |
|  | CH1  | CH2   | MULT/ADD | REF    |
| Resulting display when either SNAPSHOT is pressed and only one display source is on screen or when the TARGET waveform is selected.  |  |       |          |        |
| <p>SNAPSHOT READOUT:</p> <p>SNAPSHOT OF CHx USING MIN/MAX METHOD:</p> <p>DIS=4.35 V    TOP=5.01 V    WID=20.3 μS<br/> MES=2.12V    BASE=2.00 mV    DUTY=50%<br/> PRX=-1.23 mV    MEAN=2.32 V    FREQ=24.6 kHz<br/> MAX=5.15 V    OVR=2.0%    PER=40.6 μS<br/> MID=2.47 V    UNDS=1.0%    RISE=28.4 nS<br/> MIN=21.4 mV    RMS=2.65 V    FALL=18.3 nS<br/> P-P=5.36 V    AREA=47.5 nVs</p> <p>DIST=90.0%    MES=50.0%    PROX=10.0%<br/> AGAIN    ↑</p> |  |       |          |        |
| 1: Returns the scope to the MEASURE Menu.  |  |       |          |        |
| AGAIN: Initiates another snapshot.   |  |       |          |        |



| Measure Menus (cont)  |        |          |         |        |
|---|--------|----------|---------|--------|
| Second-level menu for SETUP.  |        |          |         |        |
| .....METHOD.....  |        |          | MARK    |        |
| MIN/MAX   | HIST   | CURSOR   | LEVEL   | ON:OFF |
| This menu is used to set up criteria for extraction of LEVEL. Pushing the menu button labeled LEVEL displays a third level menu which allows the DISTAL, MESIAL, and PROXimal levels on the waveform to be specified.                 |        |          |         |        |
| Third-level menu for LEVEL.   |        |          |         |        |
| ADJUST LEVELS WITH CURSOR/DELAY KNOB  |        |          |         |        |
| nn%   | nn%    | n.nV     | nn%     |        |
| DISTAL  | MESIAL | PROXIMAL | MESIAL2 | %!VOLT |
| Second-level menu for MEAS TYPE.  |        |          |         |        |
| MEAS TYPE: The continuous parameter extraction function is executed by selecting up to four parameters for display from a parameter matrix. Pushing the menu button labeled MEAS causes the Parameter Selection menu to be displayed: |        |          |         |        |
| DISTAL  | MESIAL | PROX     | MAX     | MID    |
| MIN   | PK-PK  | TOP      | BASE    | MEAN   |
| OVRSH   | UNDRSH | RMS      | AREA    | WIDTH  |
| DUTY  | FREQ   | PERIOD   | RISE    | FALL   |
| DELAY   |        |          |         |        |
| ←   | →      | ↓        | ON      | OFF    |

| Measure Menus (cont)  |  |
|---|--|
| <p>Third-level menu for MEAS TYPE when more than one display source is displayed and DELAY is not selected in the parameter matrix.</p> <p>TARGET:<br/>CH1            CH2    MULT/ADD    REF</p> <p>Selection of DELAY as the parameter to be extracted causes a different third- and fourth-level TARGET menu to be displayed.</p> |  |
| <p>Third-level menu for MEAS TYPE when more than one display source is displayed and DELAY is selected in the parameter matrix.</p> <p>DELAY FROM<br/>TARGET:<br/>CH1            CH2    MUL/ADD    REF</p>  |  |
| <p>Fourth-level menu for MEAS TYPE when more than one display source is displayed and DELAY is selected in the parameter matrix.</p> <p>DELAY TO<br/>TARGET:<br/>CH1            CH2    MUL/ADD    REF</p>   |  |

# OUTPUT

## ④ OUTPUT Button

Calls up the OUTPUT menu for configuring the GPIB.

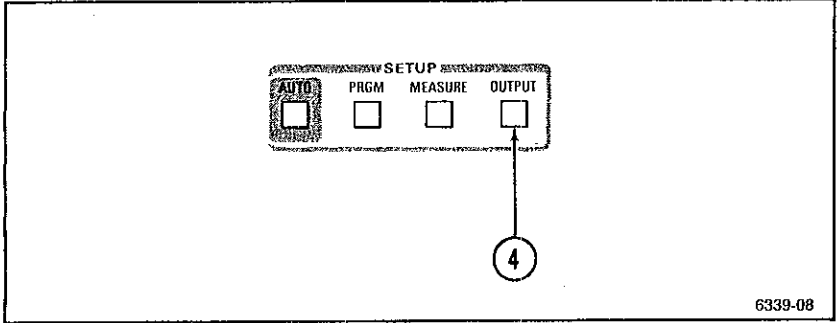


Figure 9. OUTPUT Button.

### OUTPUT Control Menus

|           |  |
|-----------|--|
| 4. OUTPUT | <p>STATUS    SETUP    DEBUG    TRANSMIT/(PRINT)</p> <p>STATUS calls up an on-screen display of most GPIB parameters in which a system user might be interested.</p> <p>TRANSMIT/PRINT/PLOT switches to ABORT when transmitting, printing, or plotting. TRANSMIT/PRINT/PLOT disappears in OFF BUS mode.</p> <p>Second-level menu for GPIB SETUP.</p> <p>OUTPUT SETUP<br/>MODE    TERM    ADDR    ENCDG</p> <p>Third-level menu for GPIB MODE.</p> <p>T/ONLY    L/ONLY    T/L    DEVICES    OFF BUS</p> <p>Selecting DEVICES changes TRANSMIT to PRINT (or PLOT) in the OUTPUT control menu. Selecting OFF BUS turns off the TRANSMIT/PRINT/PLOT choice.</p> <p>Fourth-level menu for DEVICES.</p> <p>HPGL    THINKJET<br/>PLOTTER    PRINTER                    SETUP</p> |
|-----------|--|

**OUTPUT Control Menus (cont)**

|  |                   |                 |              |        |
|--|-------------------|-----------------|--------------|--------|
| Fifth-level menu for SETUP.  |                   |                 |              |        |
| SETTINGS   | TEXT              | GRAT            | WFM          | PGSIZE |
| ON:OFF   | ON:OFF            | ON:OFF          | ON:OFF       | US:A4  |
| Fourth-level menu for GPIB T/ONLY.   |                   |                 |              |        |
| ..... SEND CURVE .....   |                   |                 |              |        |
| ONLY   | WFMPRE/CURVE      | SEND PRGM       |              |        |
| Third-level menu for GPIB TERM.  |                   |                 |              |        |
| EOI  | LF/EOI            |                 |              |        |
| Third-level menu for GPIB ADDR.  |                   |                 |              |        |
| GPIB ADDRESS   | =                 |                 |              | nn     |
|  | ↑                 |                 |              | ↓      |
| Third-level menu for GPIB ENCDG.   |                   |                 |              |        |
| .....WHOLE WFMS.....   |                   |                 | PARTIAL WFMS |        |
| ASCII  | RP                | RI              | RP           | RI     |
| RI encoding is a two's-complement format. RP is positive-integer format. At power-on the scope assumes that the data is formatted RI. The user must select RP (or send ENCDG RP via GPIB) to get positive-integer formats interpreted correctly. |                   |                 |              |        |
| Second-level menu for GPIB DEBUG.  |                   |                 |              |        |
| DEBUG  | .... MONITOR .... | -SCREEN UPDATE- |              |        |
| ON:OFF   | BUS:SCOPE IN:OUT  | SLOW            | PAUSE        |        |

9

# VERTICAL

- ① **VERTICAL POSITION Controls**

CH 1 is the HORIZONTAL POSITION control in XY mode.
- ② **VARIABLE Buttons**

CH 1 VARIABLE uncalibrates the ADD mode readout, but the CH 2 VARIABLE does not. This feature lets you input a sample of an unwanted signal into CH 2 and adjust the CH 2 VARIABLE to cancel the unwanted signal in the ADD display. See Section 3 of the Operators Manual for use of this feature.

Arrow (↑ and ↓) menu button functions are continuous when held down. CAL returns V/D to calibrated setting.
- ③ **VOLTS/DIV Switches**

Readouts automatically adjust to the correct readout scale factor when 1X, 10X, 100X, and 1000X TEK coded-attenuator probes are attached.

VOLTS/DIV is the vertical expansion control in SAVE storage mode and the extended range control in AVG ACQUIRE mode.

10

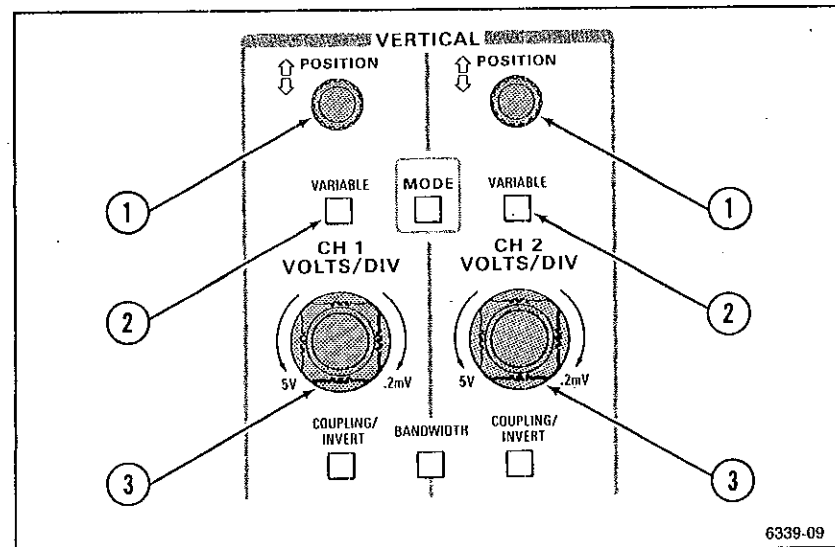


Figure 10a. Vertical Buttons and Controls.

- ④ **MODE Button** Initiates Vertical MODE menu on screen. Active selections are underscored.
- The resultant signal of a MULT display is scaled down by a factor of 5.12 to maintain the display within the graticule area.
- XY mode automatically turns on the CH 1 and CH 2 signals REF 1 vs REF 2, may be displayed as XY REF.

**NOTE**

*In this menu, CH 1, CH 2, ADD and MULT buttons are push/push; one push turns the mode on, another turns it off. Also, selecting ADD turns MULT off, and vice versa. Pushing YT:XY toggles the mode between YT and XY. Functions are underscored when turned on.*

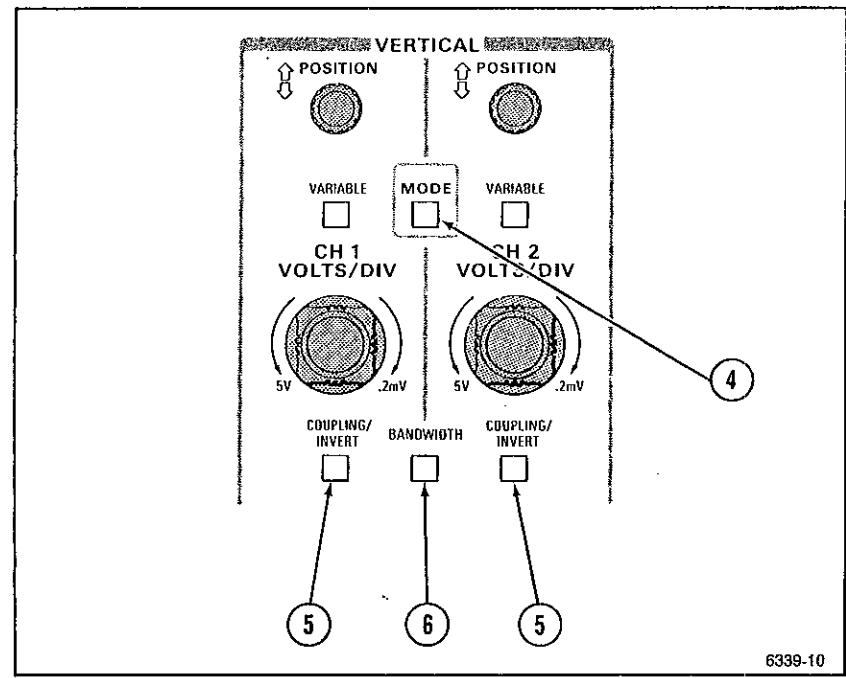


Figure 10b. Vertical Buttons and Controls.

- ⑤ **COUPLING/INVERT Buttons** May be used to switch through the available coupling choices after menu is called up.
- AC coupling and 50 Ω termination are mutually exclusive.
- ⑥ **BANDWIDTH Button** May be used to scroll through menu choices after menu is called up.

**Vertical On-Screen Menus**

|                    |   |            |                                   |                                   |               |
|--------------------|---|------------|-----------------------------------|-----------------------------------|---------------|
| 2. VARIABLE        | CH1 VARIABLE  |            |                                   |                                   |               |
|                    | CAL   | ↓          | ↑                                 |                                   |               |
| 4. VERTICAL MODE   | CH2 VARIABLE  |            |                                   |                                   |               |
|                    | CAL   | ↓          | ↑                                 |                                   |               |
| 4. VERTICAL MODE   | In YT Mode.   |            |                                   |                                   |               |
|                    | VERTICAL MODE   | CH1        | CH2                               | ADD                               | MULT          |
| 5. COUPLING INVERT | In XY Mode.   |            |                                   |                                   |               |
|                    | VERTICAL MODE   | CH1 vs CH2 |                                   |                                   | YT:XY         |
| 5. COUPLING INVERT | CH1 COUPLING  |            |                                   |                                   |               |
|                    | AC  | DC         | GND                               | 50 Ω ON:OFF                       | INVERT ON:OFF |
| 6. BANDWIDTH       | CH2 COUPLING  |            |                                   |                                   |               |
|                    | AC  | DC         | GND                               | 50 Ω ON:OFF                       | INVERT ON:OFF |
| 6. BANDWIDTH       | (For Instruments with Serial # B020000 & Above)   |            |                                   |                                   |               |
|                    | USB=xxxxHz  | USR=xxxx s | SR=xxxxS/s                        | .....BANDWIDTH..... SMOOTH ON:OFF |               |
| 6. BANDWIDTH       | 20 MHz  | 50 MHz     | FULL                              |                                   |               |
|                    | The number xxxx depends on the Acquisition Mode, the SEC/DIV setting, and the bandwidth selected. |            |                                   |                                   |               |
| 6. BANDWIDTH       | (For Instruments with Serial # B019999 & Below)   |            |                                   |                                   |               |
|                    | USB=xxxxHz  | USR=xxxx s | .....BANDWIDTH..... SMOOTH ON:OFF |                                   |               |
| 6. BANDWIDTH       | 20 MHz  | 50 MHz     | FULL                              |                                   |               |
|                    | The number xxxx depends on the Acquisition Mode, the SEC/DIV setting, and the bandwidth selected. |            |                                   |                                   |               |



## HORIZONTAL

- ① **A Button** Selects A Horizontal mode. SEC/DIV switch (2) will control A SEC/DIV.
- ② **A AND B SEC/DIV Switch** Determines sweep rate for A and B sweep functions. Used in SAVE mode to horizontally expand display. Do not change Horizontal mode after entering SAVE storage mode if using horizontal expansion. ROLL mode replaces AUTO mode in the A TRIGGER mode menu for A SEC/DIV settings  $\leq 100$  ms/div.
- ③ **A INTEN Button** Selects A INTENSified Horizontal mode. SEC/DIV switch (2) will control the B SEC/DIV.
- ④ **B Button** Selects B Delayed sweep operation. SEC/DIV switch will now control B sweep rate.

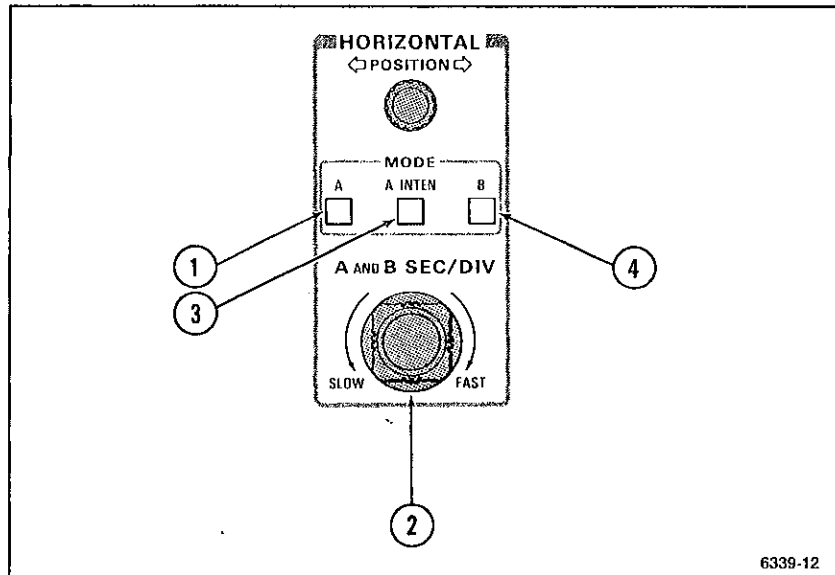


Figure 11. Horizontal Buttons and Controls.

## CURSORS

- ① **FUNCTION Button** Displays CURSOR FUNCTION menu on screen. Selecting a cursor function (VOLTS, etc.) from the menu advances to the second level ATTACH cursors menu. When neither the CURSOR FUNCTION or ATTACH CURSORS menu is displayed, pressing CURSOR FUNCTION twice steps through the CURSOR FUNCTION menu to the ATTACH CURSOR menu. Turning a cursor function off and back on also displays the ATTACH CURSOR menu.
- ② **UNITS Button** Displays UNITS menu on screen.
- ③ **SELECT Button** Selects which cursor the CURSOR/DELAY knob (4) controls.

### NOTE

No cursor, regardless of type, can be positioned off screen; all cursors are bound at the screen perimeter. For cursor functions displaying time cursors, attempting to move either cursor past either edge of the screen causes the display to horizontally reposition. Pressing SELECT moves the bound cursor to center screen.

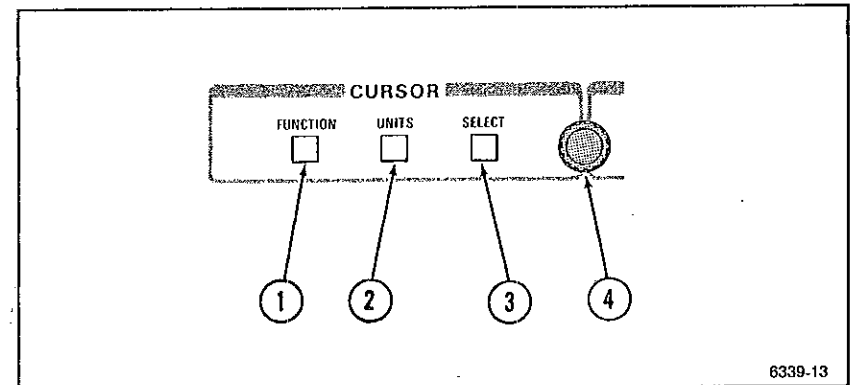


Figure 12. Cursor Buttons and Controls.

**4** **CURSOR/DELAY Control** Controls active cursor positioning, adjusts DELAY TIME or DELAY EVENTS.

When time cursors are displayed and active, the CURSOR/DELAY knob may be used to scroll through the entire record length. Cursors will operate similarly for a reference waveform when attached to that displayed reference waveform.

CURSOR/DELAY knob is a shared control. It positions cursors for cursor functions and sets delay times or delay events number for DELAY functions.

**NOTE**

*Bezel buttons operate in a push/push mode, selecting and deselecting the function. Selection of an alternate function will deselect a previous mode.*

**Cursor On-Screen Menus**

| 1. FUNCTION | CURSOR FUNCTION  | VOLTS | TIME   | V@T     | SLOPE | 1/TIME |
|-------------|--|-------|--------|---------|-------|--------|
|             | Second-level menu for a CURSOR FUNCTION selection.   |       |        |         |       |        |
|             | In YT Mode.  |       |        |         |       |        |
|             | ATTACH CURSORS TO:   |       |        |         |       |        |
|             | No Δ delay   |       |        |         |       |        |
|             | CH1  | CH2   | (func) | (func)Δ | REF   | n      |
|             | Δ delay—CH1 on   |       |        |         |       |        |
|             | CH1  | CH1Δ  | (func) | (func)Δ | REF   | n      |
|             | Δ delay—CH1 and CH2 on   |       |        |         |       |        |
|             | CH1  | CH2Δ  | (func) | (func)Δ | REF   | n      |
|             | Function is either ADD or MULT; they are mutually exclusive. Pressing REF rolls through the displayed reference waveforms. Only waveforms called up for display are included in the ATTACH CURSORS menu. |       |        |         |       |        |
|             | In XY Mode (with CH1 vs CH2 and XYREF selected).   |       |        |         |       |        |
|             | ATTACH CURSORS TO:   |       |        |         |       |        |
|             | CH1 vs CH2   | XYREF |        |         |       |        |

**Cursor On-Screen Menus (cont)**

|            |                        |         |                 |         |       |
|------------|------------------------|---------|-----------------|---------|-------|
| 2. UNITS   | In VOLTS or V@T.       |         |                 |         |       |
|            | UNITS                  | VOLTS   | CURS REF=xxxxxx |         |       |
|            | VOLTS                  | %       | dB              | NEW REF | Δ:ABS |
|            | In SLOPE.              |         |                 |         |       |
| UNITS      | SLOPE CURS REF=xxxxxx  |         |                 |         |       |
| SLOPE      | %                      | DEGREES | NEW REF         |         |       |
| In 1/TIME. |                        |         |                 |         |       |
| UNITS      | 1/TIME CURS REF=xxxxxx |         |                 |         |       |
| Hz         | %                      | DEGREES | NEW REF         | Δ:ABS   |       |
| In TIME.   |                        |         |                 |         |       |
| UNITS      | TIME CURS REF=xxxxxx   |         |                 |         |       |
| SEC        | %                      | DEGREES | NEW REF         | Δ:ABS   |       |

# DELAY FUNCTIONS

- ① **CURSOR/DELAY Control** Sets delay times or delay event number for Delay functions. It defaults to cursors control when neither Delay function menu is displayed.
- ② **EVENTS Button** Selects DELAY by EVENTS function and directs the CURSOR/DELAY knob (1) to control the events count.
- ③ **TIME Button** Selects DELAY by TIME, and switches between Main Delay and Delta Delay functions. CURSOR/DELAY control knob (1) is used to set time delay.

Triggers must be supplied by means of the B trigger circuitry to obtain Event triggering when EVENTS is on. A delayed by B events and B delayed by time may be used sequentially.

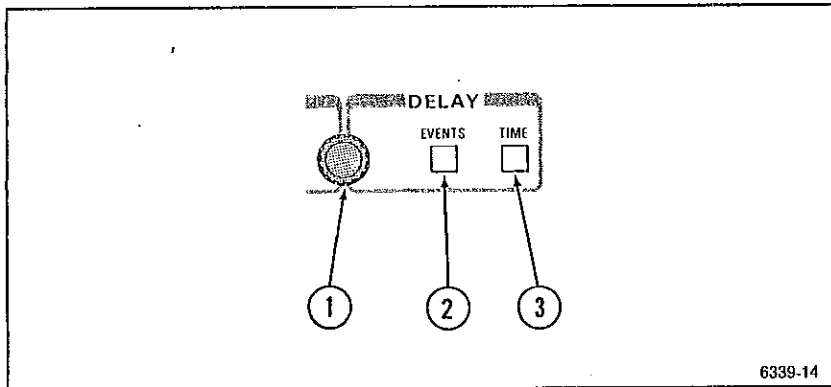


Figure 13. Delay Buttons and Controls.

## Delay On-Screen Menus

|   |  |                  |
|---|--|------------------|
| 2. DELAY by EVENTS  | EVENTS START AT A TRIG<br>EVENTS COUNT = xxxxx B TRIGS | EVENTS<br>ON/OFF |
| 3. DELAY by TIME  | With Δ TIME OFF.                                       |                  |
|   | DELAY TIME = xxxxxx B                                  | ΔTIME<br>ON/OFF  |
|   | With ΔTIME ON.   |                  |
|   | DELAY TIME = xxxxxx B<br>ΔDELAY TIME = xxxxxx B        | ΔTIME<br>ON/OFF  |
| DELAY by TIME button is pressed to switch the CURSOR/DELAY position knob between the Main DELAY TIME and the Δ (delta) DELAY TIME when ΔTIME is ON. |  |                  |

# TRIGGERING

- 1 **CPLG Button** Switches through the menu choices (except VIDEO) when pushed repeatedly.
- 2 **SET VIDEO Button** Displays A VIDEO COUPLING menu (on scopes equipped with Video trigger only). Video coupling is selected by means of the A TRIGGER COUPLING menu; mode (or type) of video coupling is selected by means of the A VIDEO COUPLING menu.

Video signal must be interlaced for field 2 to appear in on-screen readout.
- 3 **SET WORD Button** Displays the Word Recognizer Probe configuration menu.

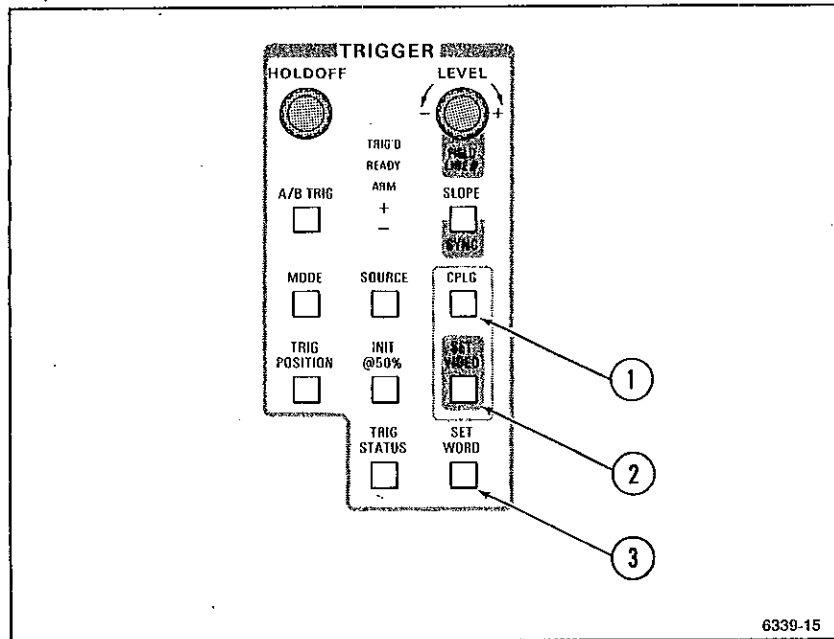


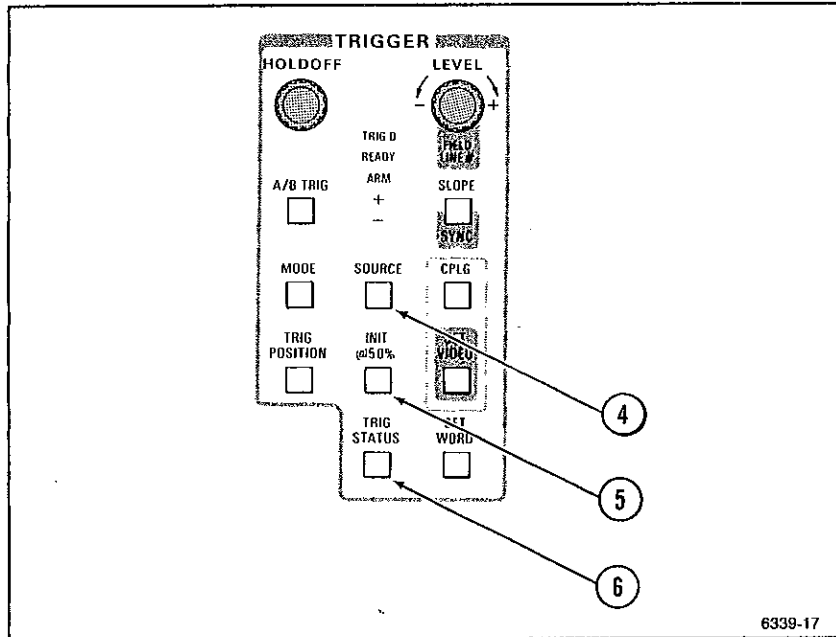
Figure 14. Trigger CPLG, SET VIDEO, and SET WORD Buttons.

## Trigger On-Screen Menus

|  |  |
|--|--|
| 1. TRIGGER CPLG  | Without the Video Option.  |
|  | A COUPLING <span style="float: right;">----REJECT----</span><br>DC AC NOISE HF LF  |
| 2. SET VIDEO   | With the Video Option installed.   |
|  | A VIDEO COUPLING <span style="float: right;">----REJECT----</span><br>DC:AC VIDEO NOISE HF LF  |
| 3. SET WORD  | Video Option only (for interlaced signals).  |
|  | A VIDEO COUPLING <span style="float: right;">CLAMP</span><br>FIELD 1 FIELD 2 ALT TVLINE ON/OFF   |
|  | Video Option only (for non-interlaced signals).  |
| 3. SET WORD  | A VIDEO COUPLING <span style="float: right;">CLAMP</span><br>FIELD 1 TVLINE ON/OFF   |
|  | RADIX <span style="float: right;">----CLOCK----</span> SET<br>OCT:HEX <input type="checkbox"/> <input type="checkbox"/> ASYNC BITS         |
|  | Second-level menu for SET BITS.  |
|  | In HEXadecimal:<br>TRIG WORD:<br>CLK=* HHHH x xxxx xxxx xxxx xxxx<br>1 0 X ← →<br>*Setting for clock in the first-level menu appears here. |
| In OCTal:<br>TRIG WORD:<br>CLK=* 000000 x xxx xxx xxx xxx<br>1 0 X ← →<br>*Setting for clock in the first-level menu appears here. |  |

- 4 **SOURCE Button** Toggles between 1 and 2 if channel or external trigger is the selected source.

A and B trigger conditions must be met to obtain a trigger in A 'AND' B. SOURCE remains as the last valid choice. EXTERNAL GAIN selection is made from the second level of the Trigger SOURCE menu.
- 5 **INIT @50% Button** Causes the 2430A to do a single Auto Level Trigger cycle automatically, setting the trigger level at 50% of peak-to-peak signal value.
- 6 **TRIG STATUS Button** Activates the TRIGGER STATUS menu, which shows the current Trigger mode, Source, Coupling and Trigger position selection for the A and B triggers.



6339-17

Figure 15. Trigger SOURCE, INIT @50%, and TRIG STATUS Buttons.

Trigger On-Screen Menus (cont)

|                   |  |                            |         |          |          |
|-------------------|--|----------------------------|---------|----------|----------|
| 4. TRIGGER SOURCE | A TRIG SOURCE                                    |                            |         |          |          |
|                   | VERT   | CHAN                       | EXT     | LINE     | A*B:WORD |
|                   | CH1  | 1:2                        | 1:2     |          |          |
|                   | CH2  |                            |         |          |          |
|                   | ADD  |                            |         |          |          |
|                   | MULT   |                            |         |          |          |
|                   | Second-level menu for A EXT.                     |                            |         |          |          |
|                   | A EXT  |                            |         |          |          |
|                   | SOURCE   | -----A AND B EXT GAIN----- |         |          |          |
|                   | 1:2  | EXT 1                      | EXT 1/5 | EXT 2    | EXT2/5   |
| 6. TRIG STATUS    | TRIG STATUS                                      |                            |         |          |          |
|                   | A*B MODE   | SOURCE                     | CPLG    | TRIG POS |          |
|                   | ---  | -----                      | ---     | ---      |          |
|                   | A (Setup conditions for the A Trigger Controls.) |                            |         |          |          |
|                   | B (Setup conditions for the B Trigger Controls.) |                            |         |          |          |

# A TRIGGERING

- ⑦ **MODE Button** Displays TRIGGER MODE menu. Steps through the mode choices in menu, except SINGLE SEQ, when pushed repeatedly.
- ⑧ **TRIG POSITION Button** Displays TRIGGER POSITION MENU. Steps through the menu choices when pushed repeatedly.
- ⑨ **A/B TRIG Button** Selects between A and B Trigger menu displays for configuration. SLOPE, MODE, SOURCE, CPLG, LEVEL and TRIG POSITION controls are shared by A and B trigger system.

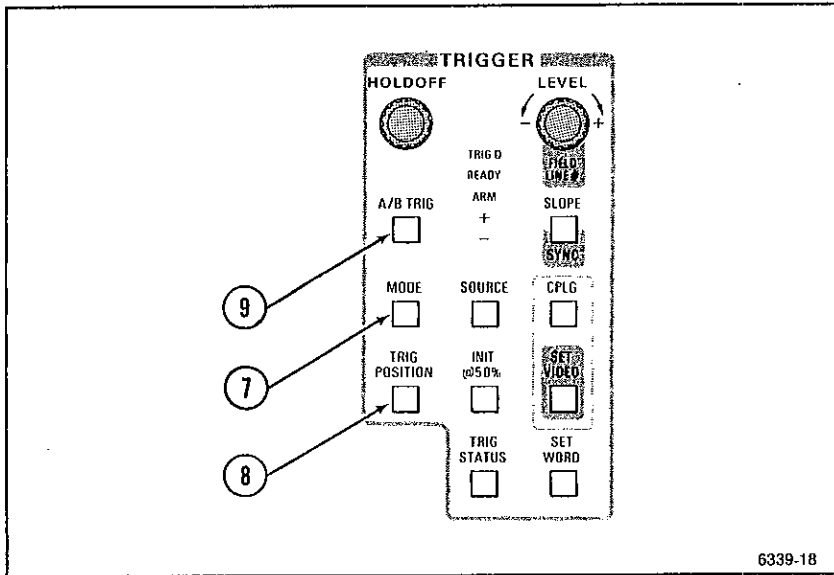


Figure 16. A Trigger MODE, TRIG POSITION, A/B TRIG Buttons.

## A Trigger On-Screen Menus

|                     |   |      |        |     |        |
|---------------------|---|------|--------|-----|--------|
| 7. TRIGGER MODE     | A TRIG MODE                                     |      |        |     |        |
|                     | AUTO  |      |        |     | SINGLE |
|                     | LEVEL   | AUTO | NORMAL |     | SEQ    |
|                     | AUTO switches to ROLL at 100 ms/div and slower. |      |        |     |        |
| 8. TRIGGER POSITION | A TRIGGER POSITION                              |      |        |     |        |
|                     | 1/8   | 1/4  | 1/2    | 3/4 | 7/8    |

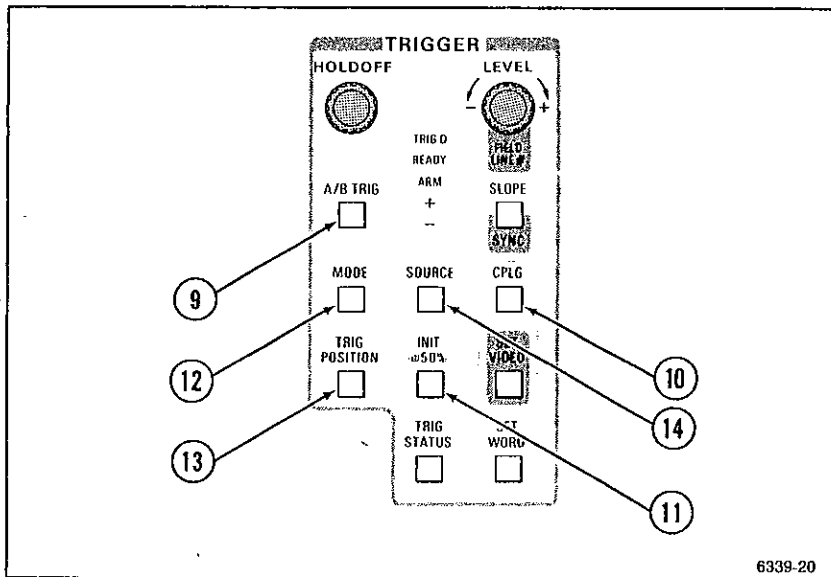
**NOTE**

If a position other than 1/8, 1/4, 1/2, 3/4, 7/8 is selected over GPIB, then no on-screen selection will be underlined.

## B TRIGGERING

- 9 **A/B TRIG Button** Toggles the trigger controls between controlling the A and B trigger systems.
- 10 **CPLG Button** Displays TRIGGER COUPLING menu. Switches through the menu choices when pushed repeatedly.
- 11 **INIT 50% Button** Causes the 2430A to do a single Auto Level Trigger cycle automatically, setting the trigger level at 50% of peak-to-peak signal value.
- 12 **MODE Button** Toggles between RUNS AFTER and TRIG AFTER when pressed repeatedly.

EXT CLK ON sets the time cursor readouts and the delay time numbers to CLK (clock) units. A clock signal must be provided by means of the B trigger circuitry to obtain triggering.



6339-20

Figure 17. B Trigger A/B TRIG, CPLG, INIT @50%, MODE, TRIG POSITION, SOURCE Buttons.

- 13 **TRIG POSITION Button** Displays the control menu used to select the Record Trigger position in the waveform display.
- 14 **SOURCE Button** Displays the B TRIGGER SOURCE menu.

### B Trigger On-Screen Menus

|                   |   |            |            |                |     |
|-------------------|---|------------|------------|----------------|-----|
| 10. TRIGGER CPLG  | In B TRIG AFTER Delay Mode.               |            |            |                |     |
|                   | B COUPLING                                |            |            |                |     |
|                   | B, EXT CLK CPLG (with EXT CLOCK ON)       |            |            |                |     |
|                   | B, EVENTS CPLG (with DELAY by EVENTS ON)  |            |            |                |     |
|                   | B, CLK, EVENTS (with both ON)             |            |            |                |     |
|                   | DC  | AC         | NOISE      | ----REJECT---- | LF  |
|                   |   |            |            | HF             |     |
|                   | In B RUNS AFTER Delay Mode.               |            |            |                |     |
|                   | B COUPLING                                |            |            |                |     |
|                   | EXT CLK CPLG (with EXT CLOCK ON)          |            |            |                |     |
|                   | EVENTS COUPLING (with DELAY by EVENTS ON) |            |            |                |     |
|                   | EVENTS, CLK (with both ON)                |            |            |                |     |
|                   | DC  | AC         | NOISE      | ----REJECT---- | LF  |
|                   |   |            |            | HF             |     |
| 12. TRIGGER MODE  | B TRIG                                    | RUNS AFTER | TRIG AFTER | EXT CLK ON/OFF |     |
| 13. TRIG POSITION | B TRIGGER POSITION                        |            |            |                |     |
|                   | 1/8                                       | 1/4        | 1/2        | 3/4            | 7/8 |

### B Trigger On-Screen Menus (cont)

#### 14. TRIGGER SOURCE

In B TRIG AFTER Delay Mode.

##### B TRIG SOURCE

B, EXT CLOCK SOURCE (with EXT CLOCK ON)  
 B, EVENTS SOURCE (with DELAY by EVENTS ON)  
 B, EXT CLK, EVNT SOURCE (with both ON)

##### SOURCE

| VERT | CHAN | EXT | WORD |
|------|------|-----|------|
| CH1  | 1:2  | 1:2 |      |
| CH2  |      |     |      |
| ADD  |      |     |      |

In B RUNS AFTER Delay Mode.

##### B TRIG SOURCE

EXT CLK SOURCE (with EXT CLOCK ON)  
 EVENTS SOURCE (with DELAY by EVENTS ON)  
 EVENTS, EXT CLK SOURCE (with both ON)

##### SOURCE

| VERT | CHAN | EXT | WORD |
|------|------|-----|------|
| CH1  | 1:2  | 1:2 |      |
| CH2  |      |     |      |
| ADD  |      |     |      |

Second-Level menu for B EXT.

##### B EXT

SOURCE -----A AND B EXT GAIN-----  
 1:2 EXT 1 EXT 1/5 EXT 2 EXT 2/5

## ACQUISITION

### 1 ACQUIRE Button

Starts/restarts the acquisition from SAVE mode.

At the completion of a single-sequence acquisition, the scope switches to SAVE storage mode and displays the SAVE menu. Pushing ACQUIRE button momentarily switches to ACQUIRE menu, but a fast-completing single sequence will switch it back to SAVE menu before the ACQUIRE menu can be used. Turn SINGLE SEQ off in TRIGGER MODE menu before pushing ACQUIRE to use ACQUIRE menu.

NORMAL, ENVELOPE<sup>1</sup>, and AVG select the acquisition mode. REPET extends the bandwidth for repetitive waveforms to 150 MHz when ON. SAVE ON Δ causes the scope to enter SAVE (SAVE ON Δ switches to off) when a live waveform exceeds boundary limits set by a reference envelope waveform. If GPIB mode is set for PRINTER output, screen data will be printed. Then SAVE ON Δ will be turned back on to continue monitoring the incoming live waveforms (not done in ROLL mode).

If GPIB mode is selected for the talk/listen mode, the 2430A will issue an SRQ notifying the Controller of the SAVE event.

Average and Envelope acquisitions in progress will be restarted by any of these front-panel control changes:

1. Any vertical or horizontal mode change.
2. A volts/div setting change of either channel.
3. A vertical position change of either channel. (Average but not Envelope.)
4. Input coupling changes to either channel.
5. Changes in the Trigger mode.
6. Pressing the MENU/OFF button to turn off menus.
7. Delay-by-Events or Delay-by-Time changes (Average only).
8. Changing the trigger slope.

<sup>1</sup>For instruments with serial numbers below B020000, ENVELOPE mode is not available when in ADD or MULT Vertical mode; turning ENVELOPE on turns off ADD or MULT and removes both menu choices from the Vertical mode menu.



| Storage On-Screen Menus |  |          |     |        |           |
|-------------------------|--|----------|-----|--------|-----------|
| 1. ACQUIRE              | ACQUIRE                                | nnn      | nnn | REPET  | SAVE ON Δ |
|                         | NORMAL                                 | ENVELOPE | AVG | ON:OFF | ON:OFF    |
|                         | nnn selections:                        |          |     |        |           |
|                         | ENVELOPE—1,2,4,8,16,32,64,128,256,CONT |          |     |        |           |
|                         | AVG—2,4,8,16,32,64,128,256             |          |     |        |           |

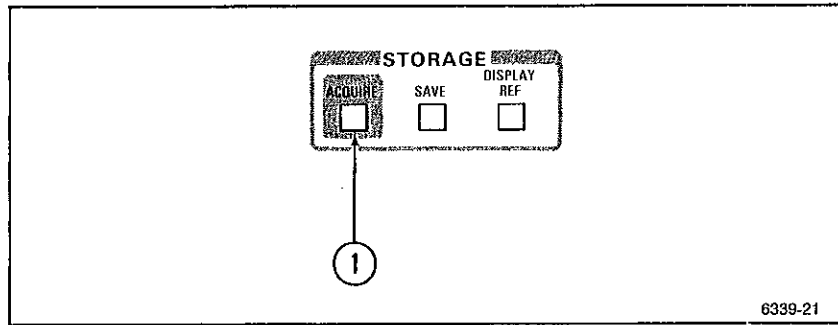


Figure 18. Storage ACQUIRE Button.

6339-21

## SAVE AND DISPLAY REFERENCE

**1 SAVE Button** Displays the SAVE menu and “freezes” waveforms on screen. SAVE mode is also entered when a single sequence completes, or when Save-On-Delta occurs on an out-of-limits waveform. It also occurs momentarily during plotting or printing via the GPIB.

Pressing STACK REF in the SAVEREF SOURCE menu treats the reference memories as a stack; waveforms are stored in predetermined reference memories, depending on what source (CH 1, ADD, etc.) they are displayed in.

**2 DISPLAY REF Button** Toggles between DISPLAY and HORIZONTAL position selection menus.

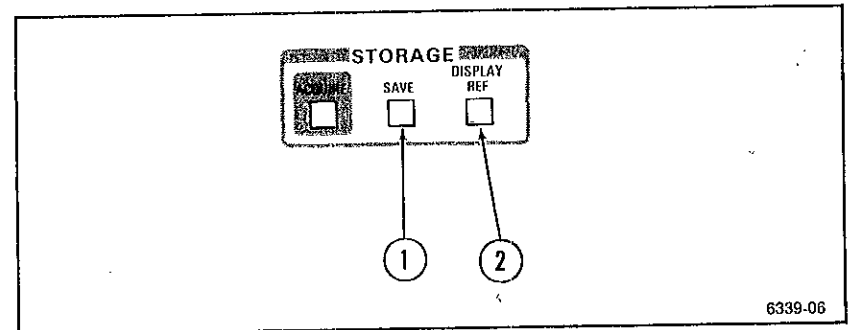


Figure 19. Storage SAVE and DISPLAY REF Button.

6339-06

# GPIB STATUS

## GPIB Status On-Line Screen

|                 |           |             |
|-----------------|-----------|-------------|
| CH1 100mV       | A 1ms     | 35.2mV EXT1 |
| ADDR 3          | RQS ON    | START = 256 |
| MODE THINKJET   | OPC ON    | STOP = 512  |
| TERM EOI        | CER ON    | EVENTS      |
| FASTXMIT        | EXR ON    | NONE        |
| OFF             | EXW ON    |             |
| 1 WFMS REQSTD   | INR ON    |             |
| RIBINARY        | PID OFF   |             |
| SOURCE CH1      | USER OFF  |             |
| TARGET REF1     | PATH ON   |             |
| ENCDG RIBINARY  | LONG ON   |             |
| BINWFM-SCOPE RI | DEBUG OFF |             |
|                 | DEVDEP ON |             |

The GPIB Status menu is displayed on screen when STATUS is selected from the OUTPUT menu. Each underscored item is a GPIB-related function and the adjacent non-underlined item(s) is the setting(s) for the function. The listing "ADDR 3" means the scope's address (a function) is set to 3. The remaining listings at the top of the screen vary with current instrument setup.

| Storage On-Screen Menus (cont)                                   |   |       |            |          |          |                  |
|--|---|-------|------------|----------|----------|------------------|
| 1. SAVE  | -----SAVEREF SOURCE-----  |       |            |          | STACK    |                  |
|  | CH1   | CH2   | (function) | REF      | REF      |                  |
|  | Second-level menu for a SAVEREF SOURCE selection (except REF or STACK REF). If REF is selected, or if Δ DELAY TIME is turned on while B is the HORIZONTAL MODE setting, this menu becomes a third-level menu. |       |            |          |          |                  |
|  | -----SAVEREF DESTINATION-----   |       |            |          | SAVEREF  |                  |
|  | REF1  | REF2  | REF3       | REF4     | SOURCE   |                  |
| Second-Level menu for SAVEREF SOURCE in Δ (delta) DELAY by TIME. |   |       |            |          |          |                  |
| SAVEREF SOURCE—(channel)   |   |       |            |          |          |                  |
| DELAY 1 DELAY 2  |   |       |            |          |          |                  |
| Second-Level menu for REF.                                       |   |       |            |          |          |                  |
| SAVEREF SOURCE—REF   |   |       |            | SAVEREF  |          |                  |
|  | REF1  | REF2  | REF3       | REF4     | SOURCE   |                  |
| 2. DISPLAY REF   | In YT Mode.   |       |            |          |          |                  |
|  | DISPLAY REF   |       |            |          |          |                  |
|  |   | REF1  | REF2       | REF3     | REF4     | POS REF          |
|  | EMPTY appears above reference menu choice if no valid waveform is stored.   |       |            |          |          |                  |
|  | In XY Mode.   |       |            |          |          |                  |
|  |   | XYREF |            |          |          | HORIZ<br>POS REF |
| Second-level menu for HORIZ POS REF. (In YT Mode.)               |   |       |            |          |          |                  |
| ----HORIZONTAL POSITION----                                      |   |       |            | REF HPOS |          |                  |
|  | REF1P   | REF2P | REF3P      | REF4P    | IND!LOCK |                  |
| Second-level menu for HORIZ POS REF. (In XY Mode.)               |   |       |            |          |          |                  |
| ----HORIZONTAL POSITION----                                      |   |       |            | REF HPOS |          |                  |
|  | XY REFP   |       |            |          | IND!LOCK |                  |

Interpretation of GPIB STATUS menu listings:

|   |   |
|---|---|
| <b>ADDR=</b> ADDRESS SELECTION                              | <b>EXR=</b> ASSERT SRQ ON EXECUTION ERROR         |
| <b>MODE=</b> MODE SELECTION                                 | <b>EXW=</b> ASSERT SRQ ON EXECUTION WARNING       |
| <b>TERM=</b> TERMINATION                                    | <b>INR=</b> ASSERT SRQ ON INTERNAL ERROR          |
| <b>SOURCE=</b> WAVEFORM DATA SOURCE                         | <b>PID=</b> ASSERT SRQ ON PROBE IDENTIFICATION    |
| <b>TARGET=</b> WAVEFORM DATA TARGET                         | <b>USER=</b> ASSERT SRQ ON BEZEL BUTTON PUSH      |
| <b>ENCDG=</b> ENCODING                                      | <b>PATH=</b> SEND COMPLETE PATH IN QUERY RESPONSE |
| <b>BINWFM=</b> INCOMING BINARY WAVEFORM INTERPRETATION MODE | <b>LONG=</b> USE LONG FORM IN QUERY RESPONSE      |
| <b>RQS=</b> ASSERT SRQ IF PENDING EVENT                     | <b>DEBUG=</b> TURN ON DEBUG MODE                  |
| <b>OPC=</b> ASSERT SRQ ON OPERATION COMPLETE                | <b>DEVDEP=</b> ASSERT SRQ IF TRANSMIT PUSHED      |
| <b>CER=</b> ASSERT SRQ ON COMMAND ERROR                     | <b>401=</b> POWER ON SRQ (TYPICAL EVENT)          |