

REPLACEABLE MECHANICAL PARTS

PARTS ORDERING INFORMATION

Replacement parts are available from or through your local Tektronix, Inc. Field Office or representative.

Changes to Tektronix instruments are sometimes made to accommodate improved components as they become available, and to give you the benefit of the latest circuit improvements developed in our engineering department. It is therefore important, when ordering parts, to include the following information in your order: Part number, instrument type or number, serial number, and modification number if applicable.

If a part you have ordered has been replaced with a new or improved part, your local Tektronix, Inc. Field Office or representative will contact you concerning any change in part number.

Change information, if any, is located at the rear of this manual.

SPECIAL NOTES AND SYMBOLS

- X000 Part first added at this serial number
- 00X Part removed after this serial number

FIGURE AND INDEX NUMBERS

Items in this section are referenced by figure and index numbers to the illustrations.

INDENTATION SYSTEM

This mechanical parts list is indented to indicate item relationships. Following is an example of the indentation system used in the description column.

- ```

1 2 3 4 5 Name & Description
Assembly and/or Component
Attaching parts for Assembly and/or Component
 ---*---
Detail Part of Assembly and/or Component
Attaching parts for Detail Part
 ---*---
Parts of Detail Part
Attaching parts for Parts of Detail Part
 ---*---

```

Attaching Parts always appear in the same indentation as the item it mounts, while the detail parts are indented to the right. Indented items are part of, and included with, the next higher indentation. The separation symbol ---\*--- indicates the end of attaching parts.

**Attaching parts must be purchased separately, unless otherwise specified.**

## ITEM NAME

In the Parts List, an Item Name is separated from the description by a colon (:). Because of space limitations, an Item Name may sometimes appear as incomplete. For further Item Name identification, the U.S. Federal Cataloging Handbook H6-1 can be utilized where possible.

## ABBREVIATIONS

|       |                    |         |                       |          |                      |         |                 |
|-------|--------------------|---------|-----------------------|----------|----------------------|---------|-----------------|
| "     | INCH               | ELCTRN  | ELECTRON              | IN       | INCH                 | SE      | SINGLE END      |
| #     | NUMBER SIZE        | ELEC    | ELECTRICAL            | INCAND   | INCANDESCENT         | SECT    | SECTION         |
| ACTR  | ACTUATOR           | ELECTLT | ELECTROLYTIC          | INSUL    | INSULATOR            | SEMICON | SEMICONDUCTOR   |
| ADPTR | ADAPTER            | ELEM    | ELEMENT               | INTL     | INTERNAL             | SHLD    | SHIELD          |
| ALIGN | ALIGNMENT          | EPL     | ELECTRICAL PARTS LIST | LPHLDR   | LAMPHOLDER           | SHLDR   | SHOULDERED      |
| AL    | ALUMINUM           | EQPT    | EQUIPMENT             | MACH     | MACHINE              | SKT     | SOCKET          |
| ASSEM | ASSEMBLED          | EXT     | EXTERNAL              | MECH     | MECHANICAL           | SL      | SLIDE           |
| ASSY  | ASSEMBLY           | FIL     | FILLISTER HEAD        | MTG      | MOUNTING             | SLFLKG  | SELF-LOCKING    |
| ATTEN | ATTENUATOR         | FLEX    | FLEXIBLE              | NIP      | NIPPLE               | SLVG    | SLEEVING        |
| AWG   | AMERICAN WIRE GAGE | FLH     | FLAT HEAD             | NON WIRE | NOT WIRE WOUND       | SPR     | SPRING          |
| BD    | BOARD              | FLTR    | FILTER                | OB       | ORDER BY DESCRIPTION | SQ      | SQUARE          |
| BRKT  | BRACKET            | FR      | FRAME or FRONT        | OD       | OUTSIDE DIAMETER     | SST     | STAINLESS STEEL |
| BRS   | BRASS              | FSTNR   | FASTENER              | OVH      | OVAL HEAD            | STL     | STEEL           |
| BRZ   | BRONZE             | FT      | FOOT                  | PH BRZ   | PHOSPHOR BRONZE      | SW      | SWITCH          |
| BSHG  | BUSHING            | FXD     | FIXED                 | PL       | PLAIN or PLATE       | T       | TUBE            |
| CAB   | CABINET            | GSKT    | GASKET                | PLSTC    | PLASTIC              | TERM    | TERMINAL        |
| CAP   | CAPACITOR          | HDL     | HANDLE                | PN       | PART NUMBER          | THD     | THREAD          |
| CER   | CERAMIC            | HEX     | HEXAGON               | PNH      | PAN HEAD             | THK     | THICK           |
| CHAS  | CHASSIS            | HEX HD  | HEXAGONAL HEAD        | PWR      | POWER                | TNSN    | TENSION         |
| CKT   | CIRCUIT            | HEX SOC | HEXAGONAL SOCKET      | RCPT     | RECEPTACLE           | TPG     | TAPPING         |
| COMP  | COMPOSITION        | HLCPS   | HELICAL COMPRESSION   | RES      | RESISTOR             | TRH     | TRUSS HEAD      |
| CONN  | CONNECTOR          | HLEXT   | HELICAL EXTENSION     | RGD      | RIGID                | V       | VOLTAGE         |
| COV   | COVER              | HV      | HIGH VOLTAGE          | RLF      | RELIEF               | VAR     | VARIABLE        |
| CPLG  | COUPLING           | IC      | INTEGRATED CIRCUIT    | RTNR     | RETAINER             | W       | WITH            |
| CRT   | CATHODE RAY TUBE   | ID      | INSIDE DIAMETER       | SCH      | SOCKET HEAD          | WSHR    | WASHER          |
| DEG   | DEGREE             | IDENT   | IDENTIFICATION        | SCOPE    | OSCILLOSCOPE         | XFMR    | TRANSFORMER     |
| DWR   | DRAWER             | IMPLR   | IMPELLER              | SCR      | SCREW                | XSTR    | TRANSISTOR      |

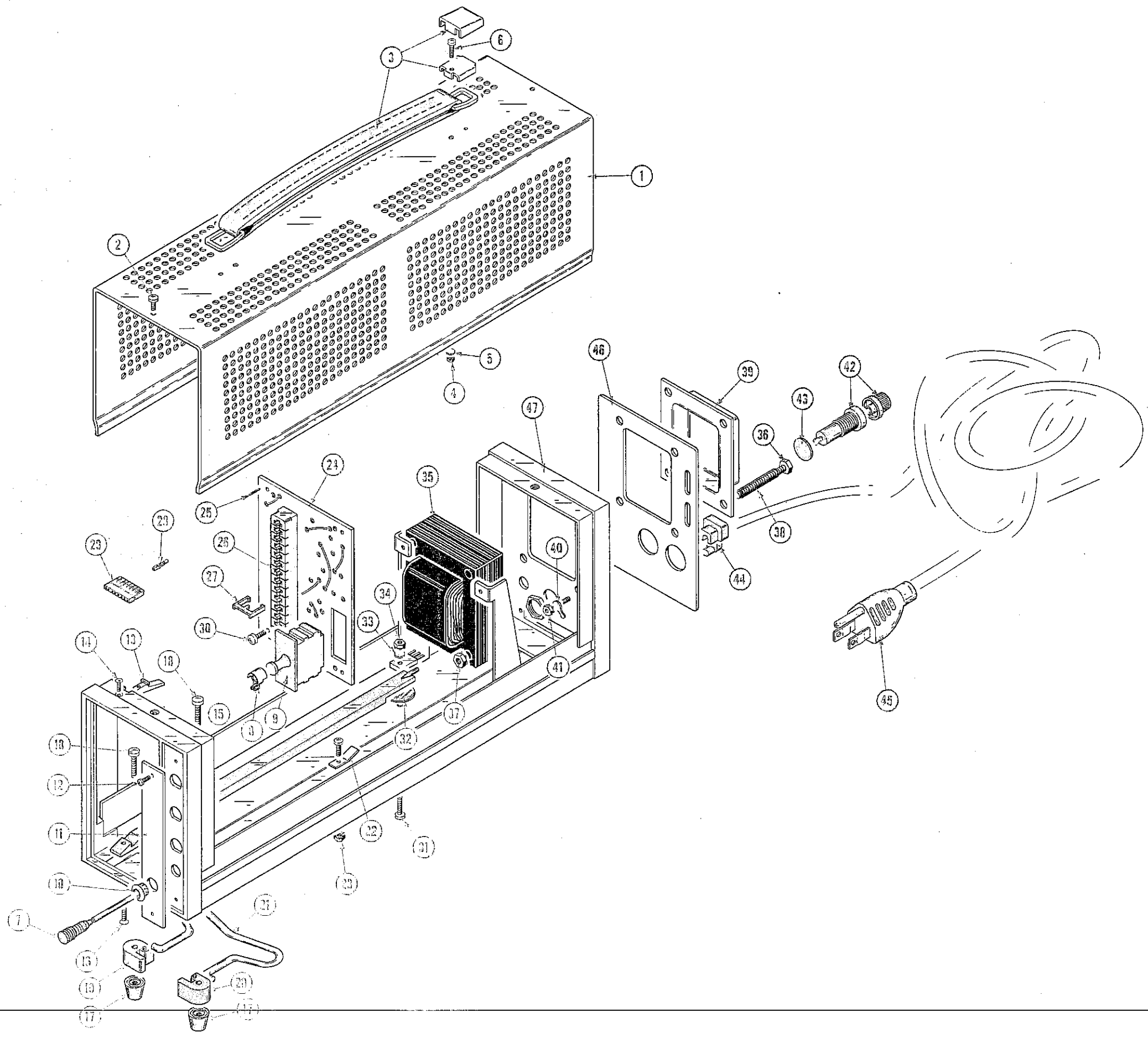
CROSS INDEX MFR. CODE NUMBER TO MANUFACTURER

| MFR.CODE | MANUFACTURER                             | ADDRESS                         | CITY,STATE,ZIP           |
|----------|------------------------------------------|---------------------------------|--------------------------|
| 04713    | MOTOROLA, INC., SEMICONDUCTOR PROD. DIV. | 5005 E MCDOWELL RD,PO BOX 20923 | PHOENIX, AZ 85036        |
| 07707    | USM CORP., USM FASTENER DIV.             | 510 RIVER RD.                   | SHELTON, CT 06484        |
| 22526    | BERG ELECTRONICS, INC.                   | YOUK EXPRESSWAY                 | NEW CUMBERLAND, PA 17070 |
| 28520    | HEYMAN MFG. CO.                          | 147 N. MICHIGAN AVE.            | KENILWORTH, NJ 07033     |
| 45722    | USM CORP., PARKER-KALON FASTENER DIV.    |                                 | CAMPBELLSVILLE, KY 42718 |
| 70485    | ATLANTIC INDIA RUBBER WORKS, INC.        | 571 W. POLK ST.                 | CHICAGO, IL 60607        |
| 75915    | LITTELFUSE, INC.                         | 800 E. NORTHWEST HWY            | DES PLAINES, IL 60016    |
| 78189    | ILLINOIS TOOL WORKS, INC.                |                                 |                          |
|          | SHAKEPROOF DIVISION                      | ST. CHARLES ROAD                | ELGIN, IL 60120          |
| 78471    | TILLEY MFG. CO.                          | 900 INDUSTRIAL RD.              | SAN CARLOS, CA 94070     |
| 79807    | WROUGHT WASHER MFG. CO.                  | 2100 S. O BAY ST.               | MILWAUKEE, WI 53207      |
| 80009    | TEKTRONIX, INC.                          | P O BOX 500                     | BEAVERTON, OR 97077      |
| 83385    | CENTRAL SCREW CO.                        | 2530 CRESCENT DR.               | BROADVIEW, IL 60153      |
| 86445    | PENN FIBRE AND SPECIALTY CO., INC.       | 2032 E. WESTMORELAND ST.        | PHILADELPHIA, PA 19134   |
| 91929    | HONEYWELL, INC., MICRO SWITCH DIV.       | CHICAGO & SPRING STS.           | FREEPORT, IL 61032       |
| 95238    | CONTINENTAL CONNECTOR CORP.              | 34-63 56TH ST.                  | WOODSIDE, NY 11377       |

| Fig. & Index No. | Tektronix Part No. | Serial/Model No. Eff | Dscnt    | Qty | Name & Description                                             |   |   |   |   | Mfr Code | Mfr Part Number  |
|------------------|--------------------|----------------------|----------|-----|----------------------------------------------------------------|---|---|---|---|----------|------------------|
|                  |                    |                      |          |     | 1                                                              | 2 | 3 | 4 | 5 |          |                  |
| 1-1              | 390-0272-00        | B010100              | B059999  | 1   | CABINET, WRAPAROUND:                                           |   |   |   |   | 80009    | 390-0272-00      |
|                  | 390-0272-01        | B060000              |          | 1   | CABINET, WRAPAROUND:<br>(ATTACHING PARTS)                      |   |   |   |   | 80009    | 390-0272-01      |
| -2               | 211-0503-00        |                      |          | 2   | SCREW, MACHINE: 6-32 X 0.188 INCH, PNH STL<br>- - - * - - -    |   |   |   |   | 83385    | OBD              |
| -3               | 367-0171-00        |                      |          | 2   | HANDLE, CARRYING, :W/HARDWARE                                  |   |   |   |   | 80009    | 367-0171-00      |
| -4               | 210-0586-00        | B010100              | B059999  | 2   | NUT, PLAIN, EXT W: 4-40 X 0.25 INCH, STL                       |   |   |   |   | 78189    | OBD              |
|                  | 210-0783-00        | B060000              |          | 2   | RIVET: BLIND POP TYPE 0.125 DIA AL W AL STEM                   |   |   |   |   | 07707    | AD 44 ABS        |
| -5               | 210-0958-00        | B010100              | B059999  | 2   | WASHER, FLAT: 0.115 ID X 0.469 INCH OD, STL                    |   |   |   |   | 78471    | OBD              |
|                  | 210-0993-00        | B060000              |          | 2   | WSHR, SHOULDERED: 0.143" ID X 0.75" OD, BRS                    |   |   |   |   | 79807    | OBD              |
| -6               | 210-0012-00        | B010100              | B059999X | 2   | WASHER, LOCK: INTL, 0.375 ID X 0.50" OD STL                    |   |   |   |   | 78189    | 1220-02-00-0541C |
|                  | 390-0272-00        |                      |          | 1   | CABINET, WRAPAROUND:                                           |   |   |   |   | 80009    | 390-0272-00      |
| -7               | 384-1158-00        |                      |          | 1   | SHAFT, EXTENSION: POWER SWITCH                                 |   |   |   |   | 80009    | 384-1158-00      |
| -8               | 376-0127-00        |                      |          | 1   | COUPLER, SHAFT: PLASTIC                                        |   |   |   |   | 80009    | 376-0127-00      |
| -9               | 260-1222-00        |                      |          | 1   | SWITCH, PUSH-PUL: 10A, 250VAC                                  |   |   |   |   | 91929    | 2DM301           |
| -10              | 358-0216-00        |                      |          | 1   | BUSHING, PLASTIC: 0.257 ID X 0.412 INCH OD                     |   |   |   |   | 80009    | 358-0216-00      |
| -11              | 333-1530-00        |                      |          | 1   | PANEL, FRONT:<br>(ATTACHING PARTS)                             |   |   |   |   | 80009    | 333-1530-00      |
| -12              | 211-0022-00        |                      |          | 2   | SCREW, MACHINE: 2-56 X 0.188 INCH, PNH STL<br>- - - * - - -    |   |   |   |   | 83385    | OBD              |
| -13              | 351-0334-00        | B010100              | B029999  | 1   | GUIDE, PLUG-IN UNI: TOP                                        |   |   |   |   | 80009    | 351-0334-00      |
|                  | 351-0379-01        | B030000              |          | 1   | GUIDE, PLUG-IN UNI: TOP<br>(ATTACHING PARTS)                   |   |   |   |   | 80009    | 351-0379-01      |
| -14              | 213-0254-00        |                      |          | 1   | SCR, TPG, THD CT: 2-56 X 0.25" 100 DEG, FLH STL                |   |   |   |   | 45722    | OBD              |
| -15              | 351-0286-00        | B010100              | B019999  | 1   | GUIDE, PLUG-IN UNI: BOTTOM                                     |   |   |   |   | 80009    | 351-0286-00      |
|                  | 351-0286-01        | B020000              | B039999  | 1   | GUIDE, PLUG-IN UNI: BOTTOM                                     |   |   |   |   | 80009    | 351-0286-01      |
|                  | 351-0286-02        | B040000              | B059999  | 1   | GUIDE, PLUG-IN UNI: BOTTOM                                     |   |   |   |   | 80009    | 351-0286-02      |
|                  | 351-0286-04        | B060000              |          | 1   | GUIDE, PLUG-IN UNI: BOTTOM<br>(ATTACHING PARTS)                |   |   |   |   | 80009    | 351-0286-04      |
| -16              | 211-0101-00        |                      |          | 1   | SCREW, MACHINE: 4-40 X 0.25" 100 DEG, FLH STL<br>- - - * - - - |   |   |   |   | 83385    | OBD              |
| -17              | 348-0187-00        |                      |          | 4   | FOOT, CABINET: 0.780 X 1.650 INCH LONG<br>(ATTACHING PARTS)    |   |   |   |   | 80009    | 348-0187-00      |
| -18              | 211-0551-00        |                      |          | 1   | SCREW, MACHINE: 6-32 X 0.562 INCH, PNH STL<br>- - - * - - -    |   |   |   |   | 83385    | OBD              |
| -19              | 348-0026-00        |                      |          | 2   | HINGE BLOCK, STA: LEFT                                         |   |   |   |   | 80009    | 348-0026-00      |
| -20              | 348-0027-00        |                      |          | 2   | HINGE BLOCK, STA: RIGHT                                        |   |   |   |   | 80009    | 348-0027-00      |
| -21              | 348-0303-00        |                      |          | 1   | STAND, ELEC EQPT:                                              |   |   |   |   | 80009    | 348-0303-00      |
| -22              | 131-1018-00        | B010100              | B019999  | 1   | CONTACT, ELEC: PLUG-IN GROUND                                  |   |   |   |   | 80009    | 131-1018-00      |
|                  | 131-1254-01        | B020000              | B075079X | 1   | CONTACT, ELEC: GROUNDING<br>(ATTACHING PARTS)                  |   |   |   |   | 80009    | 131-1254-01      |
| -23              | 211-0008-00        | B010100              | B075079X | 1   | SCREW, MACHINE: 4-40 X 0.25 INCH, PNH STL                      |   |   |   |   | 83385    | OBD              |
|                  | 210-0586-00        | B010100              | B075079X | 1   | NUT, PLAIN, EXT W: 4-40 X 0.25 INCH, STL<br>- - - * - - -      |   |   |   |   | 78189    | OBD              |
| -24              | -----              |                      |          | 1   | CKT BOARD ASSY: INTERFACE (SEE EPL)                            |   |   |   |   |          |                  |
| -25              | 131-0608-00        |                      |          | 14  | CONTACT, ELEC: 0.365 INCH LONG                                 |   |   |   |   | 22526    | 47357            |
| -26              | 131-1078-00        |                      |          | 1   | CONNECTOR, RCPT: 28/56 CONTACT                                 |   |   |   |   | 95238    | K600-11-56Y25    |
| -27              | 214-1593-02        |                      |          | 1   | KEY, CONN PLZN:                                                |   |   |   |   | 80009    | 214-1593-02      |
| -28              | 131-1200-00        |                      |          | 1   | BUS, CONDUCTOR:                                                |   |   |   |   | 80009    | 131-1200-00      |
|                  | 131-0707-00        |                      |          | 2   | CONTACT, ELEC: 0.48"L, 22-26 AWG WIRE                          |   |   |   |   | 22526    | 47439            |
| -29              | 352-0166-01        |                      |          | 1   | CONN BODY, PL, EL: 8 WIRE BROWN                                |   |   |   |   | 80009    | 352-0166-01      |
|                  | 131-1199-00        |                      |          | 1   | BUS, CONDUCTOR: OPT. 1 ONLY                                    |   |   |   |   | 80009    | 131-1199-00      |
| -30              | 352-0166-02        |                      |          | 1   | CONN BODY, PL, EL: 8 WIRE RED                                  |   |   |   |   | 80009    | 352-0166-02      |
|                  | 131-0707-00        |                      |          | 2   | CONTACT, ELEC: 0.48"L, 22-26 AWG WIRE                          |   |   |   |   | 22526    | 47439            |
| -31              | 352-0166-06        |                      |          | 1   | CONN BODY, PL, EL: 8 WIRE BLUE<br>(ATTACHING PARTS)            |   |   |   |   | 80009    | 352-0166-06      |
|                  | 213-0088-00        |                      |          | 4   | SCR, TPG, THD CTG: 4-24 X 0.25 INCH, PNH STL                   |   |   |   |   | 83385    | OBD              |
| -32              | 211-0012-00        |                      |          | 2   | SCREW, MACHINE: 4-40 X 0.375 INCH, PNH STL                     |   |   |   |   | 83385    | OBD              |
| -33              | 342-0136-00        |                      |          | 2   | INSULATOR, WSHR: 0.812 OD X 0.0025 INCH THK                    |   |   |   |   | 04713    | OBD              |
| -34              | 210-0071-00        |                      |          | 2   | WASHER, SPR TNSN: 0.146 ID X 0.323" OD, STL                    |   |   |   |   | 78189    | 4706-05-01-0531  |
|                  | 210-0586-00        |                      |          | 2   | NUT, PLAIN, EXT W: 4-40 X 0.25 INCH, STL<br>- - - * - - -      |   |   |   |   | 78189    | OBD              |

Replaceable Mechanical Parts—TM 501

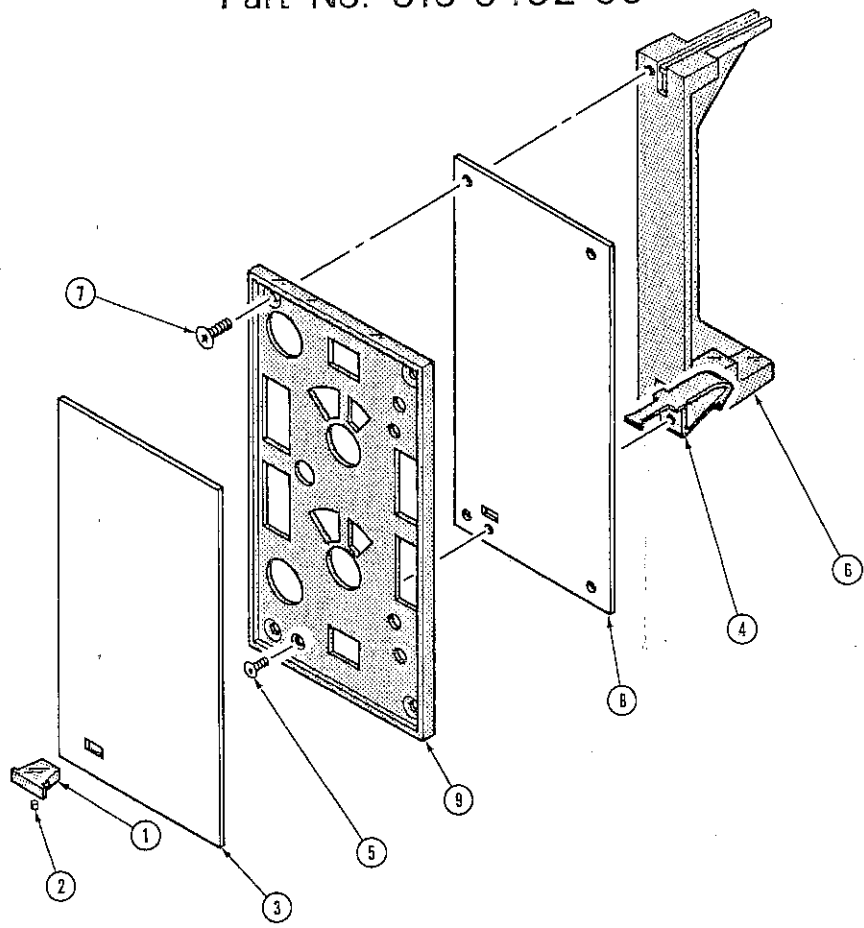
| Fig. &<br>Index<br>No. | Tektronix<br>Part No. | Serial/Model No.<br>Eff | Dscnt   | Qty | 1 2 3 4 5 | Name & Description                                                  | Mfr   |                  |
|------------------------|-----------------------|-------------------------|---------|-----|-----------|---------------------------------------------------------------------|-------|------------------|
|                        |                       |                         |         |     |           |                                                                     | Code  | Mfr Part Number  |
| 1-35                   | -----                 |                         |         | 1   |           | TRANSFORMER: (SEE T1 EPL)<br>(ATTACHING PARTS)                      |       |                  |
| -36                    | 212-0576-00           | B010100                 | B039999 | 4   |           | SCREW, MACHINE: 10-32 X 1.375", HEX, STL                            | 83385 | OBD              |
|                        | 212-0517-00           | B040000                 |         | 4   |           | SCREW, MACHINE: 10-32 X 1.750 INCH, HEX HD STL                      | 83385 | OBD              |
|                        | 210-0812-00           | XB052090                | B091899 | 4   |           | WASHER, NONMETAL: #10, FIBER                                        | 86445 | OBD              |
|                        | 210-0010-00           | B091900                 |         | 4   |           | WASHER, LOCK: INT, 0.20 ID X 0.376" OD, STL                         | 78189 | 1210-00-00-0541C |
|                        | 210-0206-00           | B091900                 |         | 1   |           | TERMINAL, LUG: SE #10                                               | 78189 | 2103-10-00-2520N |
| -37                    | 220-0410-00           |                         |         | 4   |           | NUT, EXTENDED WA: 10-32 X 0.375 INCH, STL                           | 83385 | OBD              |
| -38                    | 166-0226-00           |                         |         | 4   |           | INS SLV, ELEC: 1.125 INCHES LONG                                    | 80009 | 166-0226-00      |
|                        |                       |                         |         |     |           | * - - - -                                                           |       |                  |
| -39                    | 200-0379-01           |                         |         | 1   |           | COVER, ELEC XFMR:                                                   | 80009 | 200-0379-01      |
| -40                    | 210-0201-00           |                         |         | 1   |           | TERMINAL, LUG: SE #4<br>(ATTACHING PARTS)                           | 78189 | 2104-04-00-2520N |
| -41                    | 210-0586-00           |                         |         | 1   |           | NUT, PLAIN, EXT W: 4-40 X 0.25 INCH, STL<br>(ATTACHING PARTS)       | 78189 | OBD              |
|                        |                       |                         |         |     |           | * - - - -                                                           |       |                  |
| -42                    | 352-0076-00           | B010100                 | B049999 | 1   |           | FUSEHOLDER: W/HARDWARE                                              | 75915 | 342012           |
|                        | 352-0362-00           | B050000                 |         | 1   |           | FUSEHOLDER: W/MOUNTING HARDWARE<br>(ATTACHING PARTS)                | 75915 | 345001           |
| -43                    | 210-0873-00           |                         |         | 1   |           | WASHER, NONMETAL: 0.5 ID X 0.688 INCH OD, NPRN<br>(ATTACHING PARTS) | 70485 | OBD              |
|                        |                       |                         |         |     |           | * - - - -                                                           |       |                  |
| -44                    | 358-0161-00           |                         |         | 1   |           | BSHG, STRAIN RLF: FOR 0.50 INCH HOLE, PLASTIC                       | 28520 | SR5P4            |
| -45                    | 161-0033-04           |                         |         | 1   |           | CABLE ASSY, FWR:                                                    | 80009 | 161-0033-04      |
|                        | 210-0201-00           | XB073290                |         | 1   |           | TERMINAL, LUG: SE #4<br>(ATTACHING PARTS)                           | 78189 | 2104-04-00-2520N |
|                        |                       |                         |         |     |           | * - - - -                                                           |       |                  |
|                        | 210-0586-00           | XB073290                |         | 1   |           | NUT, PLAIN, EXT W: 4-40 X 0.25 INCH, STL<br>(ATTACHING PARTS)       | 78189 | OBD              |
|                        |                       |                         |         |     |           | * - - - -                                                           |       |                  |
| -46                    | 333-1560-00           |                         |         | 1   |           | PANEL, REAR:                                                        | 80009 | 333-1560-00      |
| -47                    | 426-0876-00           | B010100                 | B075979 | 1   |           | FRAME ASSEMBLY: CABINET                                             | 80009 | 426-0876-00      |
|                        | 426-0876-02           | B075080                 |         | 1   |           | FRAME ASSEMBLY: CABINET                                             | 80009 | 426-0876-02      |



STANDARD ACCESSORIES

| Index<br>No. | Tektronix<br>Part No. | Serial/Model<br>No. Eff | No.<br>Dscont | Qty |   |   |   |   |   | Name & Description           | Mfr   |                 |
|--------------|-----------------------|-------------------------|---------------|-----|---|---|---|---|---|------------------------------|-------|-----------------|
|              |                       |                         |               |     | 1 | 2 | 3 | 4 | 5 |                              | Code  | Mfr Part Number |
|              | 070-1304-00           |                         |               | 1   |   |   |   |   |   | 1. MANUAL, TECH: INSTRUCTION | 80009 | 070-1304-00     |

**PLUG-IN PANEL, BLANK for 5000 SERIES**  
Part No. 016-0452-00



REPLACEABLE PARTS LIST

| Fig. & Index No. | Tektronix Part No. | Serial/Model No. Eff | Dscont | Qty | 1 | 2 | 3 | 4 | 5 | Name & Description                                                 | Mfr Code | Mfr Part Number |
|------------------|--------------------|----------------------|--------|-----|---|---|---|---|---|--------------------------------------------------------------------|----------|-----------------|
|                  | 016-0452-00        |                      |        | 1   |   |   |   |   |   | PANEL, FRONT: BLANK PLUG-IN                                        | 80009    | 016-0452-00     |
| -1               | 366-1286-03        |                      |        | 1   |   |   |   |   |   | . KNOB: SIL GY, 0.5 X 0.2 X 0.375                                  | 80009    | 366-1286-03     |
| -2               | 214-1840-00        |                      |        | 1   |   |   |   |   |   | . PIN, KNOB SEC: 0.094 OD X 0.120 INCH LONG                        | 80009    | 214-1840-00     |
| -3               | 333-1483-03        |                      |        | 1   |   |   |   |   |   | . PANEL, FRONT:                                                    | 80009    | 333-1483-03     |
| -4               | 214-1513-01        |                      |        | 1   |   |   |   |   |   | . LCH, PLUG-IN RET:<br>(ATTACHING PARTS)                           | 80009    | 214-1513-01     |
| -5               | 213-0254-00        |                      |        | 1   |   |   |   |   |   | . SCR, TPG, THD CTG: 2-32 X 0.250, 100 DEG, FLH<br>-----*-----     | 45722    | OBD             |
| -6               | 351-0311-01        |                      |        | 1   |   |   |   |   |   | . GUIDE, PL-IN UNI:<br>(ATTACHING PARTS)                           | 80009    | 351-0311-01     |
| -7               | 213-0229-00        |                      |        | 2   |   |   |   |   |   | . SCR, TPG, THD FOR: 6-20 X 0.375" 100 DEG, FLH STL<br>-----*----- | 93907    | OBD             |

NO. 016-0452-00  
DATE JUNE 1979  
COPYRIGHT © 1979  
TEKTRONIX, INC.  
ALL RIGHTS RESERVED

| Fig. & Index No.     | Tektronix Part No. | Serial/Model No. Eff Dscont | Qty | 1 | 2 | 3 | 4 | 5 | Name & Description      | Mfr Code | Mfr Part Number |
|----------------------|--------------------|-----------------------------|-----|---|---|---|---|---|-------------------------|----------|-----------------|
| -8                   | 200-1273-02        |                             | 1   |   |   |   |   |   | . COVER, SUBPANEL: REAR | 80009    | 200-1273-02     |
| -9                   | 386-1916-00        |                             | 1   |   |   |   |   |   | . SUBPANEL, FRONT:      | 80009    | 386-1916-00     |
| STANDARD ACCESSORIES |                    |                             |     |   |   |   |   |   |                         |          |                 |
|                      | 062-4326-00        |                             | 1   |   |   |   |   |   | DATA SHEET: 016-0452-00 | 80009    | 062-4326-00     |

CROSS INDEX—MFR. CODE NUMBER TO MANUFACTURER

| Mfr. Code | Manufacturer                          | Address       | City, State, Zip         |
|-----------|---------------------------------------|---------------|--------------------------|
| 45722     | USM CORP., PARKER-KALON FASTENER DIV. |               | CAMPBELLSVILLE, KY 42718 |
| 80009     | TEKTRONIX, INC.                       | P O BOX 500   | BEAVERTON, OR 97077      |
| 93907     | CAMCAR SCREW AND MFG. CO.             | 600 18TH AVE. | ROCKFORD, IL 61101       |

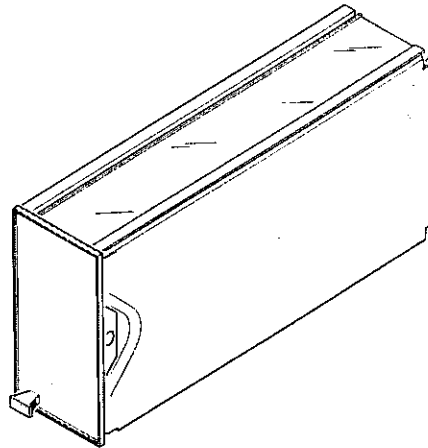
*TM 500 - 30539*  
*5B40*

*5A-98*

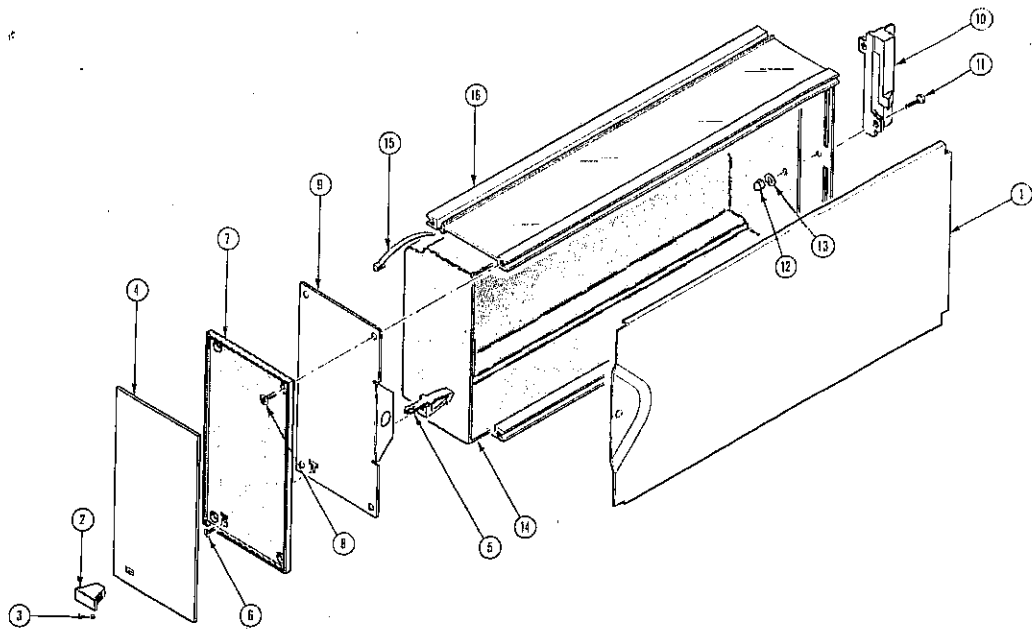
*CR10 152-0488-00 (1) Box 14*  
*C12 290*  
*Q10, 12*



**STORAGE PLUG-IN for TM 500 SERIES**  
Part No. 016-0362-01



To remove the cover from the Storage Plug-In, lay the plug-in on its left side. Depress the plastic catch at the rear with your right thumb and use your left thumb to slide the cover to the rear. To replace the cover, apply slight downward pressure at front and rear and slide the cover into place, guiding the depressed cover detail under the flange at the front. Ensure that lip at the rear depresses the plastic catch and engages the slots in the back panel.



| Fig. & Index No. | Tektronix Part No. | Serial/Model No. Eff | Dscont | Qty | 1 | 2 | 3 | 4 | 5 | Name & Description                               | Mfr Code | Mfr Part Number |
|------------------|--------------------|----------------------|--------|-----|---|---|---|---|---|--------------------------------------------------|----------|-----------------|
|                  | 016-0362-01        |                      |        | 1   |   |   |   |   |   | PLUG-IN, STORAGE:TM500                           | 80009    | 016-0362-01     |
| -1               | 200-1955-01        |                      |        | 1   |   |   |   |   |   | . COVER, PLUG-IN:                                | 80009    | 200-1955-01     |
| -2               | 366-1286-04        |                      |        | 1   |   |   |   |   |   | . KNOB:LATCH                                     | 80009    | 366-1286-04     |
|                  |                    |                      |        |     |   |   |   |   |   | (ATTACHING PARTS)                                |          |                 |
| -3               | 214-1840-00        |                      |        | 1   |   |   |   |   |   | . PIN, KNOB SECRC:0.094 OD X 0.120 INCH LONG     | 80009    | 214-1840-00     |
|                  |                    |                      |        |     |   |   |   |   |   | -----*                                           |          |                 |
| -4               | 333-1483-03        |                      |        | 1   |   |   |   |   |   | . PANEL, FRONT:                                  | 80009    | 333-1483-03     |
| -5               | 214-1513-01        |                      |        | 1   |   |   |   |   |   | . LCH, PLUG-IN RET:                              | 80009    | 214-1513-01     |
|                  |                    |                      |        |     |   |   |   |   |   | (ATTACHING PARTS)                                |          |                 |
| -6               | 213-0113-00        |                      |        | 1   |   |   |   |   |   | . SCR, TPG, THD FOR:2-32 X 0.312 INCH, PNH STL   | 93907    | OBD             |
|                  |                    |                      |        |     |   |   |   |   |   | -----*                                           |          |                 |
| -7               | 386-2402-05        |                      |        | 1   |   |   |   |   |   | . SUBPANEL, FRONT:                               | 80009    | 386-2402-05     |
|                  |                    |                      |        |     |   |   |   |   |   | (ATTACHING PARTS)                                |          |                 |
| -8               | 213-0229-00        |                      |        | 4   |   |   |   |   |   | . SCR, TPG, THD FOR:6-20 X0.375"100 DEG, FLH STL | 93907    | OBD             |
|                  |                    |                      |        |     |   |   |   |   |   | -----*                                           |          |                 |
| -9               | 407-1803-00        |                      |        | 1   |   |   |   |   |   | . BRACKET, LATCH:                                | 80009    | 407-1803-00     |
| -10              | 386-3622-00        |                      |        | 1   |   |   |   |   |   | . SPRT, STOR PL-IN:REAR                          | 80009    | 386-3622-00     |
|                  |                    |                      |        |     |   |   |   |   |   | (ATTACHING PARTS)                                |          |                 |
| -11              | 211-0012-00        |                      |        | 2   |   |   |   |   |   | . SCREW, MACHINE:4-40 X 0.375 INCH, PNH STL      | 83385    | OBD             |
| -12              | 220-0601-00        |                      |        | 2   |   |   |   |   |   | . NUT, PLAIN, CAP.:4-40 X 0.25 INCH HEX, BRS     | 73743    | 93261-03        |
| -13              | 210-0994-00        |                      |        | 2   |   |   |   |   |   | . WASHER, FLAT:0.125 ID X 0.25" OD, STL          | 86928    | 5714-147-20N    |
|                  |                    |                      |        |     |   |   |   |   |   | -----*                                           |          |                 |
| -14              | 348-0498-00        |                      |        | 1   |   |   |   |   |   | . PAD, CUSHIONING:ACCESSORY BOX                  | 80009    | 348-0498-00     |
| -15              | 214-1061-00        |                      |        | 1   |   |   |   |   |   | . SPRING, GROUND:FLAT                            | 80009    | 214-1061-00     |
| -16              | 390-0519-01        |                      |        | 1   |   |   |   |   |   | . CAB., WRAPAROUND:W/FRAME SECTIONS              | 80009    | 390-0519-01     |

STANDARD ACCESSORIES

062-3770-00

1 DATA SHEET:016-0362-01

80009 062-3770-00

CROSS INDEX—MFR. CODE NUMBER TO MANUFACTURER

| Mfr. Code | Manufacturer                  | Address             | City, State, Zip        |
|-----------|-------------------------------|---------------------|-------------------------|
| 74743     | FISCHER SPECIAL MFG. COMPANY  | 446 MORGAN STREET   | CINCINNATI, OHIO 45206  |
| 80009     | TEKTRONIX, INC.               | PO BOX 500          | BEAVERTON, OREGON 97077 |
| 83385     | CENTRAL SCREW COMPANY         | 2530 CRESCENT DRIVE | BROADVIEW, IL 60153     |
| 86928     | SEASTROM MFG. COMPANY, INC.   | 701 SONORA AVENUE   | GLENDALE, CA 91201      |
| 93907     | GAMCAR SCREW AND MFG. COMPANY | 600 18TH AVENUE     | ROCKFORD, IL 61101      |