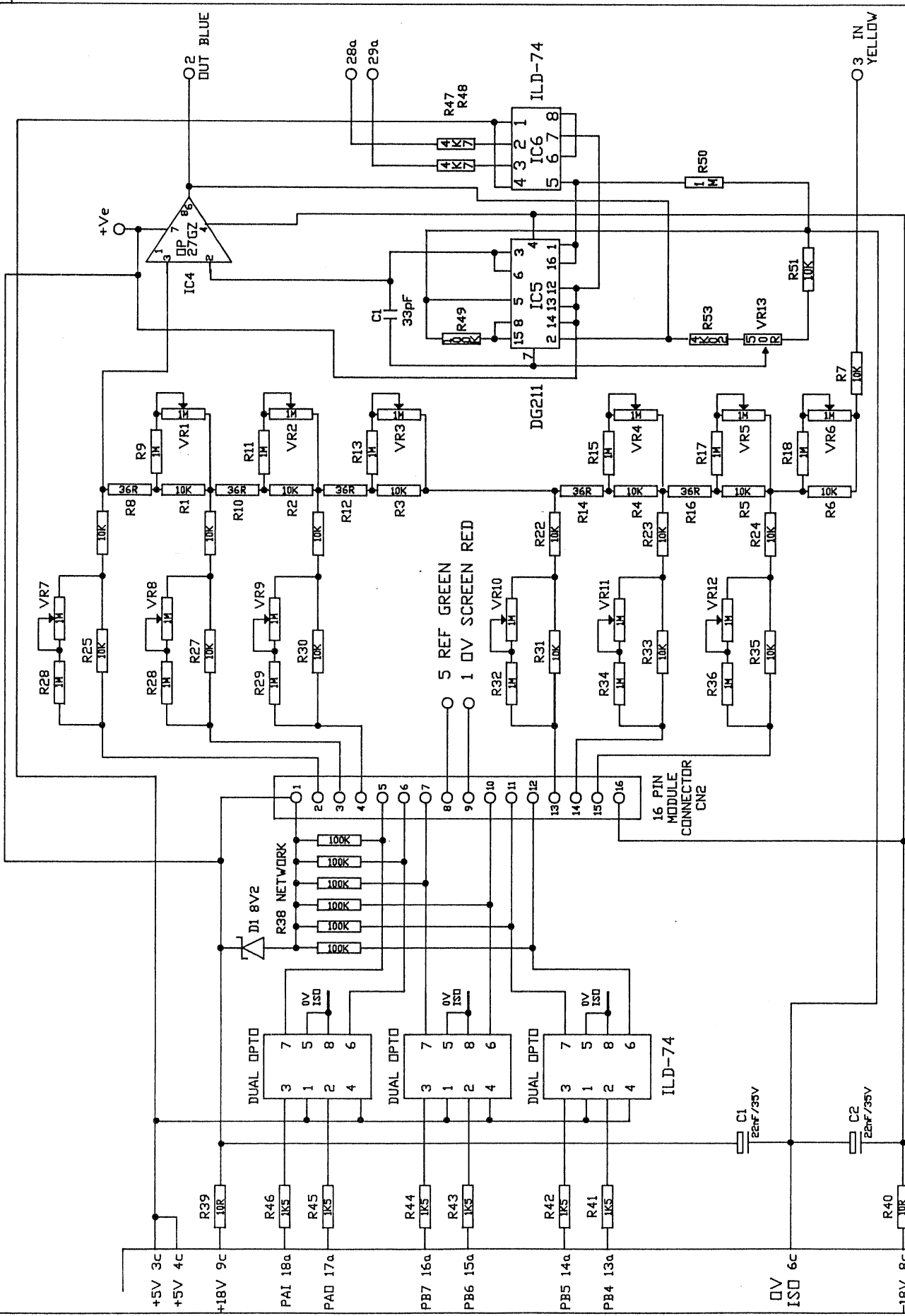


ISSUE D

CHANGES Redrawn with CAD 26/7/85 B.D.



TIME ELECTRONICS LTD

DATE: 20/11/82

SCALE: []

APPRD: []

DRAWN JONES

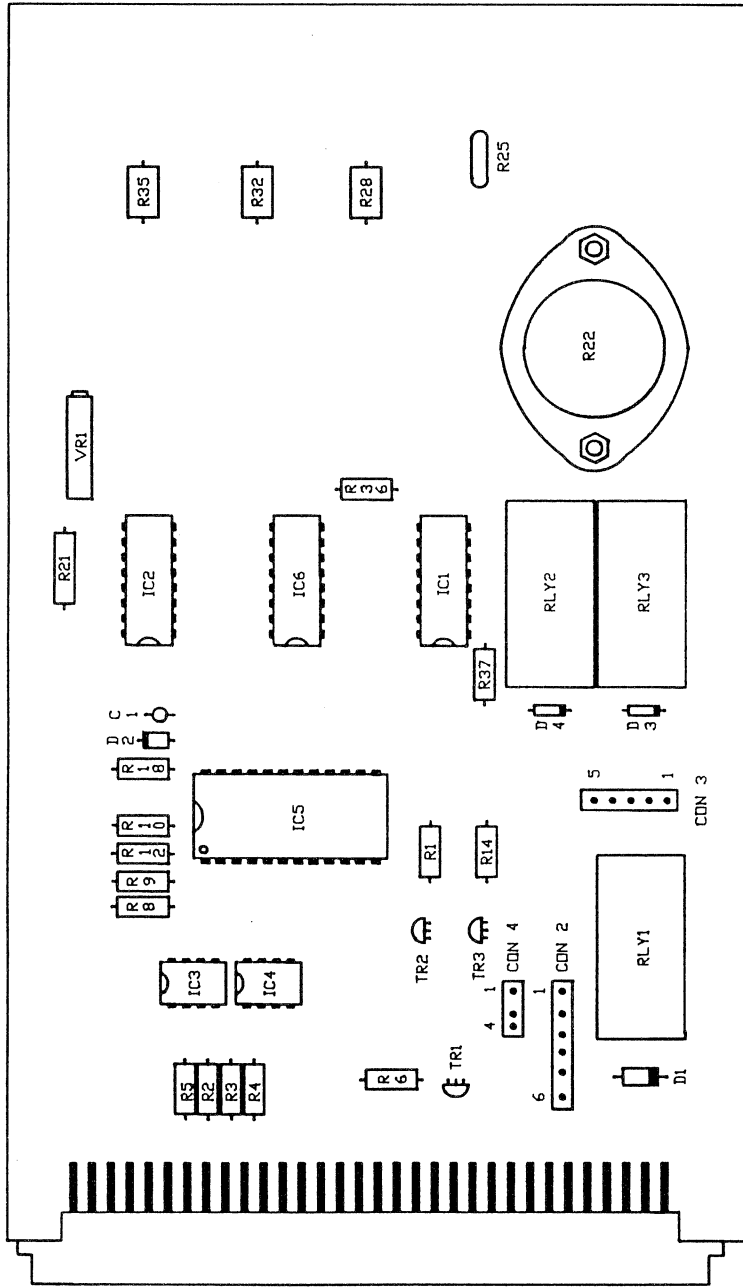
9800 D/A BOARD CIRCUIT DIAGRAM


TITLE: 9403C01

DRG No: []

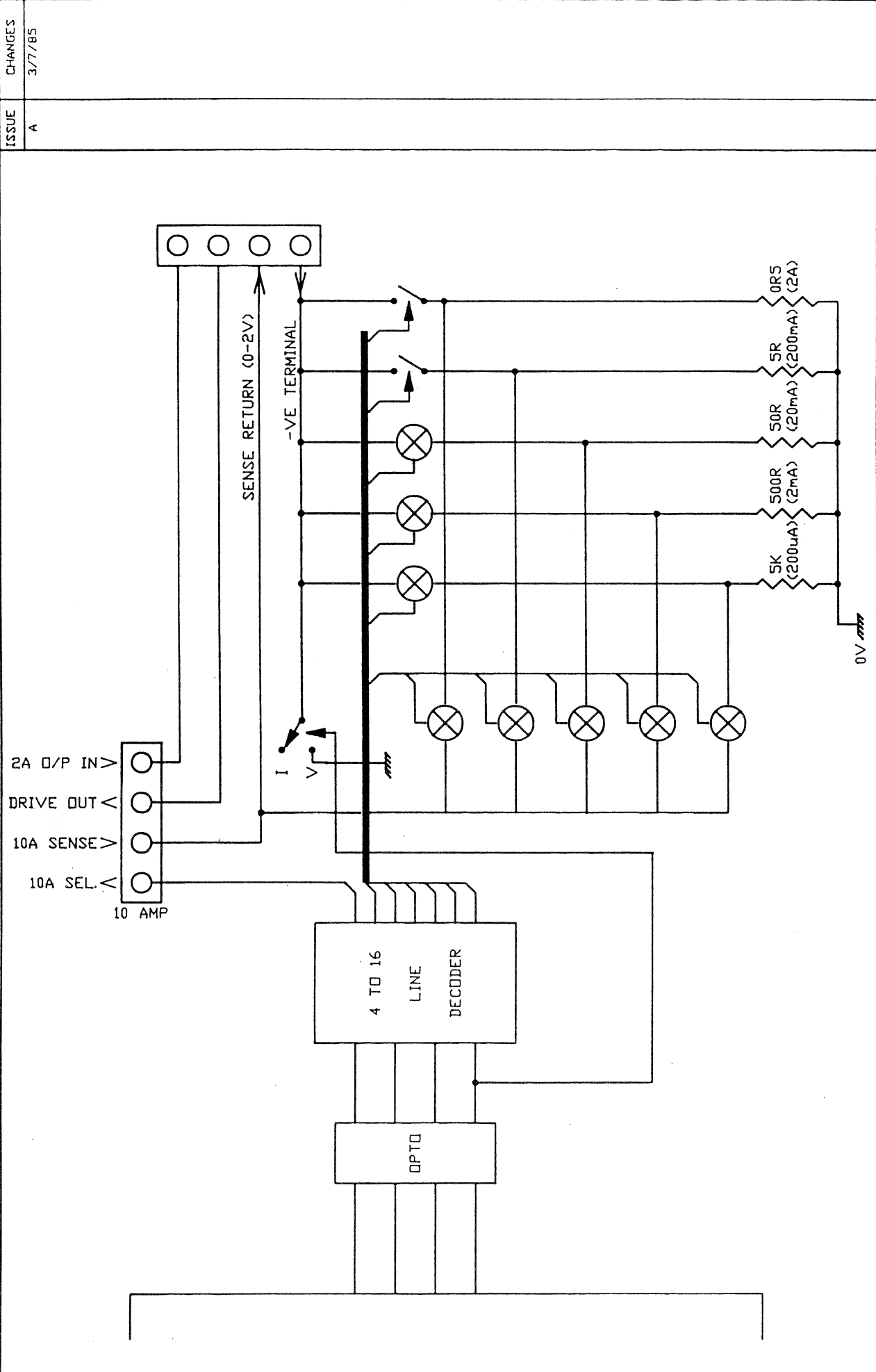
THE CONTENTS OF THIS DRG MUST NOT BE COPIED OR USED WITHOUT PRIOR WRITTEN CONSENT OF TIME ELECTRONICS LIMITED

ISSUE	CHANGES




 TIME ELECTRONICS LTD	DRAWN APPRD SCALE DATE	P.J.G. 9/2/88	TITLE 9800 CURRENT BOARD LAYOUT
	THE CONTENTS OF THIS DRG MUST NOT BE COPIED OR USED WITHOUT PRIOR WRITTEN CONSENT OF TIME ELECTRONICS LIMITED		

9421L01

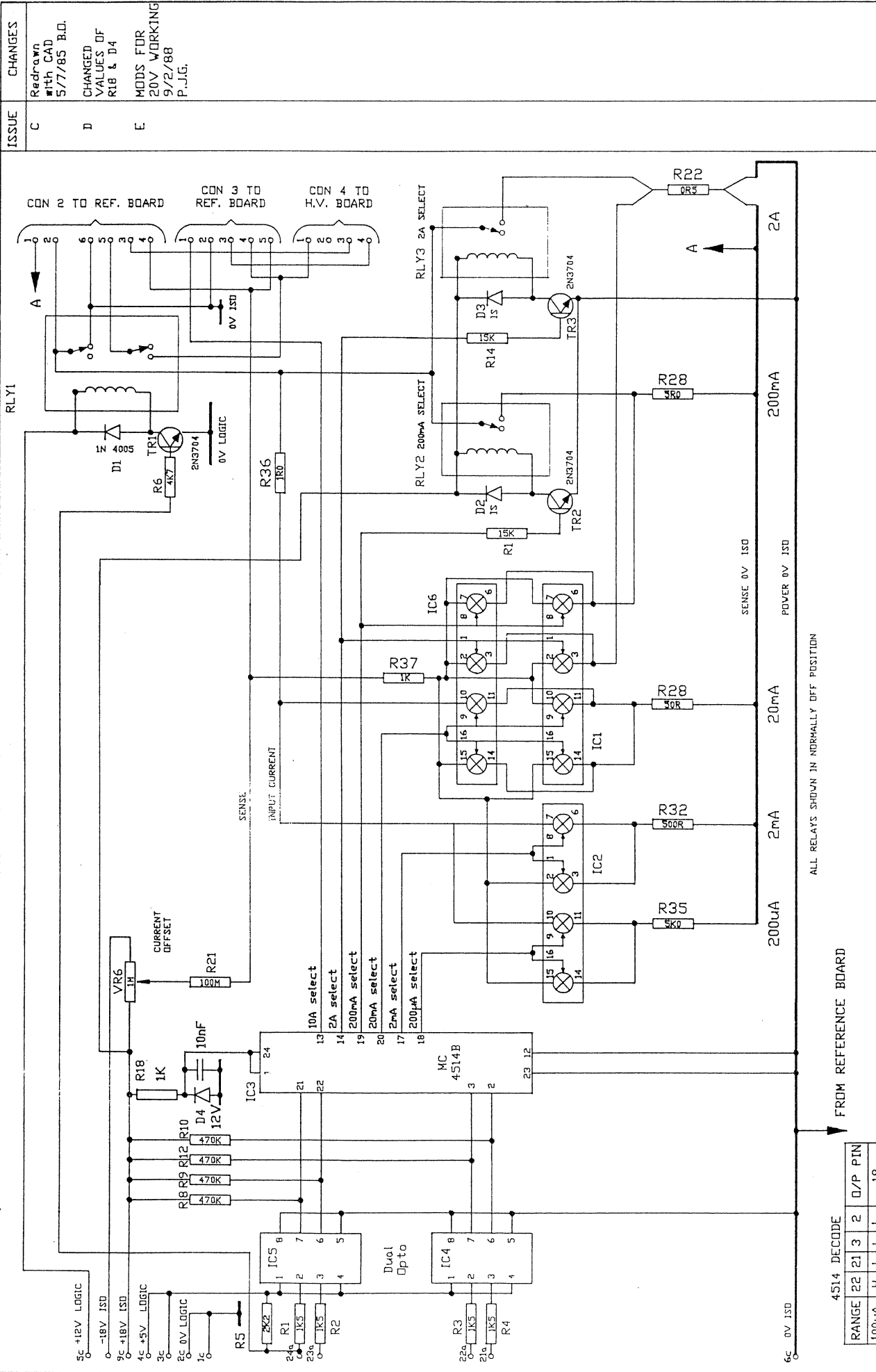


ISSUE	CHANGES
A	3/7/85

 TIME ELECTRONICS LTD		DRAWN	J.B.	TITLE
		APPRD		
		SCALE		
		DATE	3/7/85	DRG No
		THE CONTENTS OF THIS DRG MUST NOT BE REPRODUCED OR USED IN ANY MANNER WITHOUT THE CONSENT OF TIME ELECTRONICS LIMITED		

9800 CURRENT BOARD BLOCK DIAGRAM

9421B01



ISSUE C D E

CHANGES Redrawn with CAD 5/7/85 B.D. CHANGED VALUES OF R18 & D4 MODS FOR 20V WORKING 9/2/88 P.J.G.

CON 2 TO REF. BOARD
CON 3 TO REF. BOARD
CON 4 TO H.V. BOARD

RLY1

RLY2 200µA SELECT
RLY3 2A SELECT

200µA
2mA
20mA
200mA
2A

SENSE 0V ISD
POWER 0V ISD

FROM REFERENCE BOARD

4514 DECODE

RANGE	22	21	3	2	D/P	PIN
100µA	H	L	L	L	H	18
1mA	H	L	L	H	L	17
10mA	H	L	H	L	L	20
100mA	H	L	H	H	L	19
1A	H	H	L	L	L	14
10A	H	H	L	L	H	13

DG308 SUPPLIES

Pin	VOLTS
4	-18 ISD
5	0 ISD
13	-18 ISD

TIME ELECTRONICS LTD

DRAWN JONES
APPRD SCALE
DATE 20/10/82

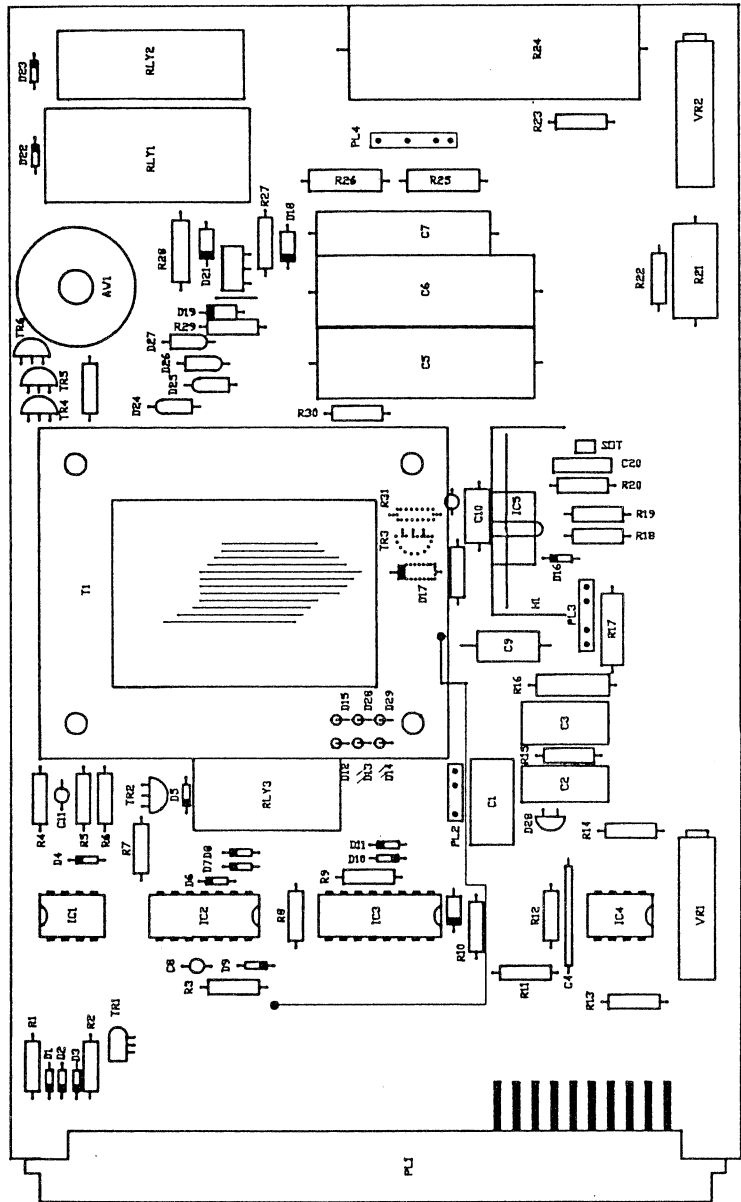
TITLE 9800 CURRENT BOARD CIRCUIT DIAGRAM

DRG No 9421C01

THE CONTENTS OF THIS DRG MUST NOT BE COPIED OR USED WITHOUT PRIOR WRITTEN CONSENT OF TIME ELECTRONICS LIMITED

ALL RELAYS SHOWN IN NORMALLY OFF POSITION

ISSUE	
CHANGES	



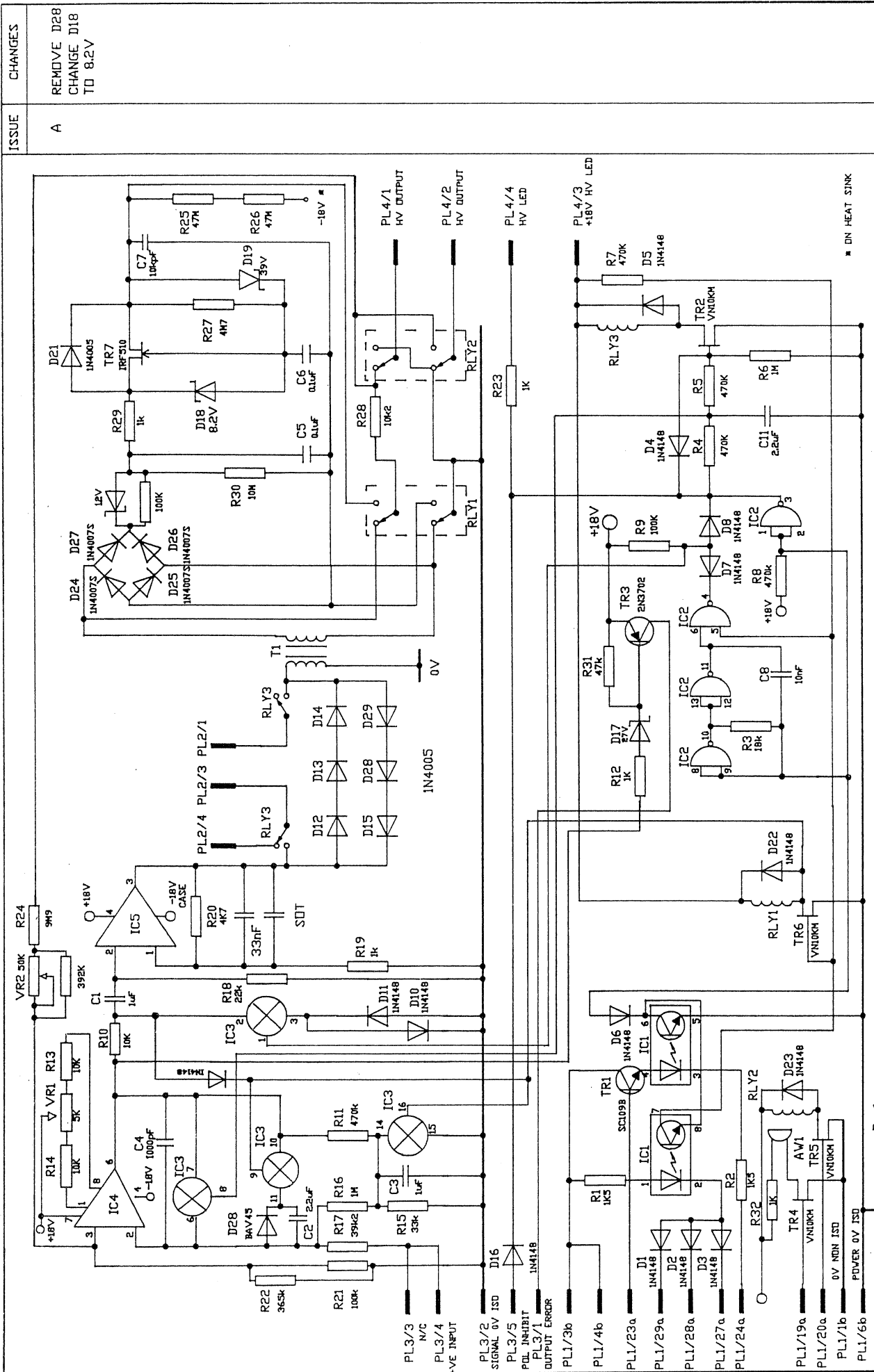
TIME ELECTRONICS LTD

DRAWN	B.O.	TITLE
APPRD		
SCALE		
DATE	2/10/85	

9800 HIGH VOLTAGE BOARD PHYSICAL LAYOUT

THE CONTENTS OF THIS DRG MUST NOT BE REPRODUCED OR USED WITHOUT THE WRITTEN CONSENT OF TIME ELECTRONICS LIMITED

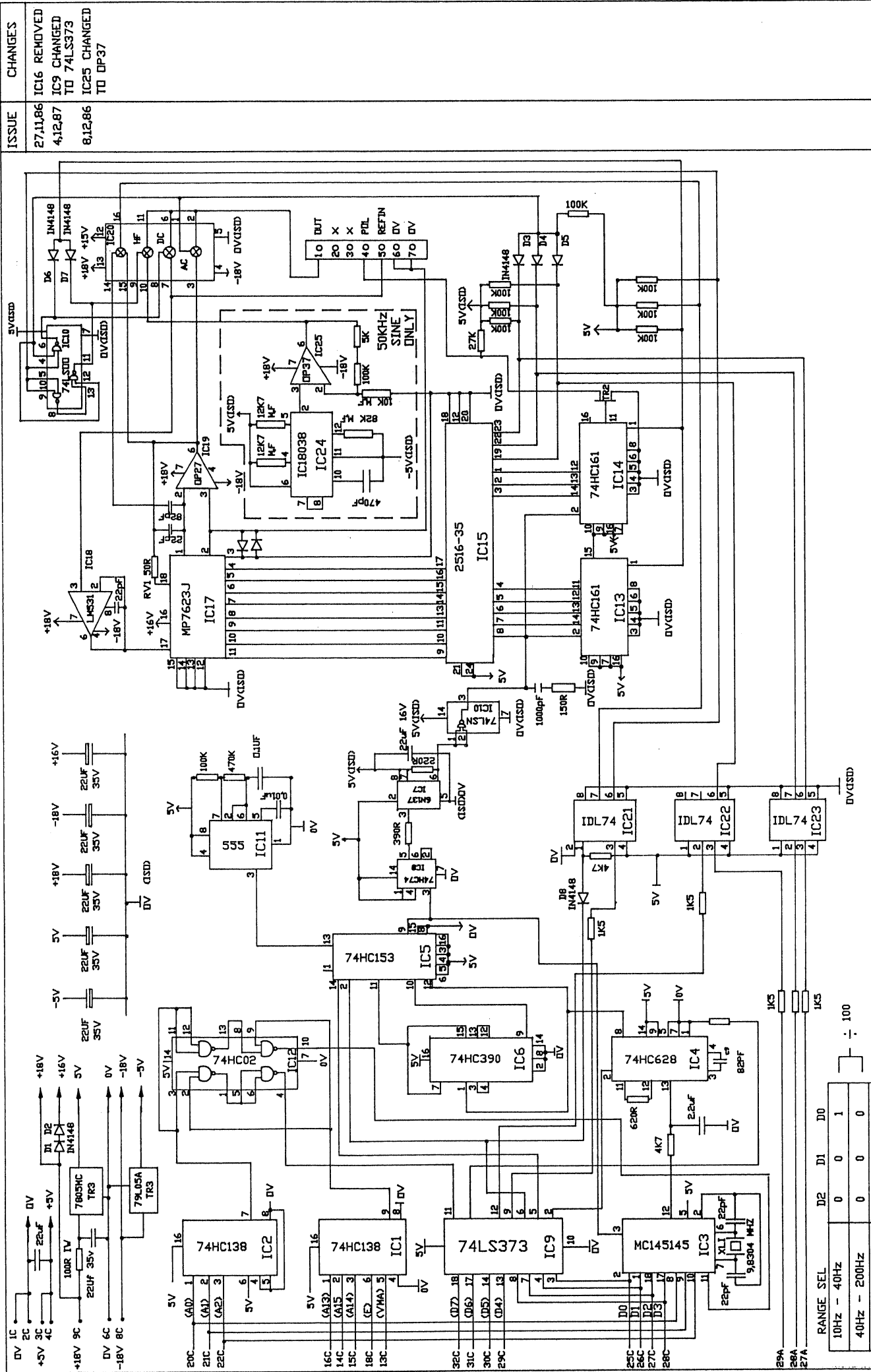
DRG No. 9415L01



ISSUE A

CHANGES REMOVE D28 CHANGE D18 TO 8.2V

TIME ELECTRONICS LTD		8000 HIGH VOLTAGE BOARD CIRCUIT DIAGRAM	
DRAWN	B.O.	TITLE	9415C01
APPRD	SCALE	DATE	
DATE	11/10/85	DRG No	
THE CONTENTS OF THIS DRG MUST NOT BE COPIED OR USED WITHOUT PRIOR WRITTEN CONSENT OF TIME ELECTRONICS LIMITED			



ISSUE	CHANGES
27.11.86	IC16 REMOVED
4.12.87	IC9 CHANGED TO 74LS373
8.12.86	IC25 CHANGED TO DP37

DATE	SCALE	APPROD	C.A.L	TITLE
10-3-86	(1.4=1)			A.C. SYNTHESIZER BOARD

RANGE SEL	D0	D1	D2
10Hz - 40Hz	0	0	1
40Hz - 200Hz	0	0	0
200Hz - 400Hz	0	1	1
400Hz - 2KHz	0	1	0
2KHz - 4KHz	1	0	1
4KHz - 20KHz	1	0	0

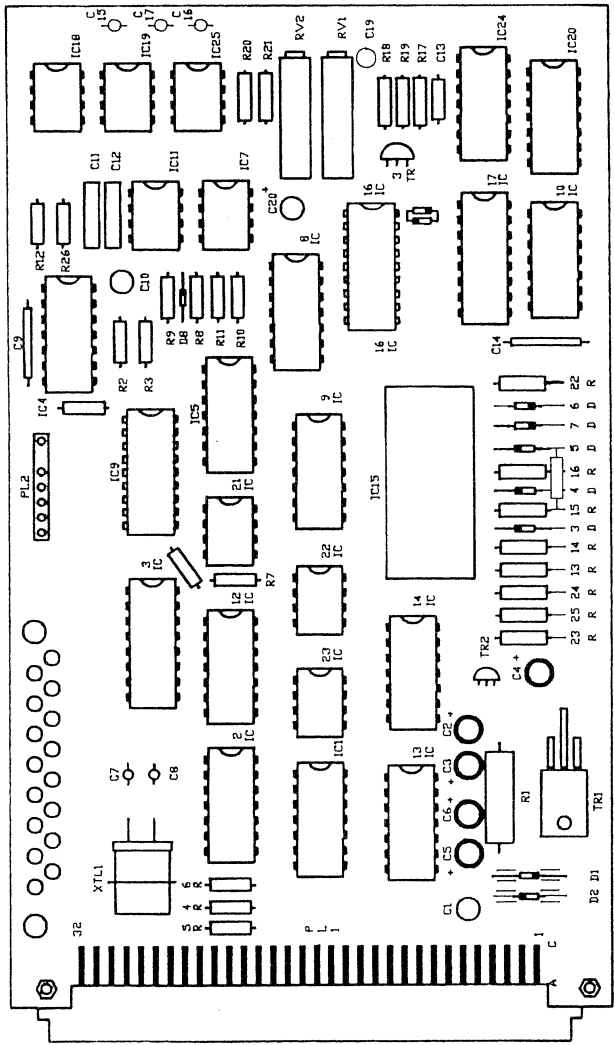
COMPONENT	VALUE
IC1	74HC138
IC2	74HC138
IC3	74LS373
IC4	74HC668
IC5	74HC153
IC6	74HC390
IC7	74HC138
IC8	74HC161
IC9	74LS373
IC10	74HC161
IC11	74HC161
IC12	74HC161
IC13	74HC161
IC14	74HC161
IC15	74HC161
IC16	74HC161
IC17	74HC161
IC18	74HC161
IC19	74HC161
IC20	74HC161
IC21	74HC161
IC22	74HC161
IC23	74HC161
IC24	74HC161
IC25	74HC161
IC26	74HC161
IC27	74HC161
IC28	74HC161
IC29	74HC161
IC30	74HC161
IC31	74HC161
IC32	74HC161
IC33	74HC161
IC34	74HC161
IC35	74HC161
IC36	74HC161
IC37	74HC161
IC38	74HC161
IC39	74HC161
IC40	74HC161
IC41	74HC161
IC42	74HC161
IC43	74HC161
IC44	74HC161
IC45	74HC161
IC46	74HC161
IC47	74HC161
IC48	74HC161
IC49	74HC161
IC50	74HC161
IC51	74HC161
IC52	74HC161
IC53	74HC161
IC54	74HC161
IC55	74HC161
IC56	74HC161
IC57	74HC161
IC58	74HC161
IC59	74HC161
IC60	74HC161
IC61	74HC161
IC62	74HC161
IC63	74HC161
IC64	74HC161
IC65	74HC161
IC66	74HC161
IC67	74HC161
IC68	74HC161
IC69	74HC161
IC70	74HC161
IC71	74HC161
IC72	74HC161
IC73	74HC161
IC74	74HC161
IC75	74HC161
IC76	74HC161
IC77	74HC161
IC78	74HC161
IC79	74HC161
IC80	74HC161
IC81	74HC161
IC82	74HC161
IC83	74HC161
IC84	74HC161
IC85	74HC161
IC86	74HC161
IC87	74HC161
IC88	74HC161
IC89	74HC161
IC90	74HC161
IC91	74HC161
IC92	74HC161
IC93	74HC161
IC94	74HC161
IC95	74HC161
IC96	74HC161
IC97	74HC161
IC98	74HC161
IC99	74HC161
IC100	74HC161


TIME ELECTRONICS LTD

THE CONTENTS OF THIS DRG MUST NOT BE DRG No
 COPIED OR USED WITHOUT PRIOR WRITTEN
 CONSENT OF TIME ELECTRONICS LIMITED

9418C01

ISSUE	
CHANGES	





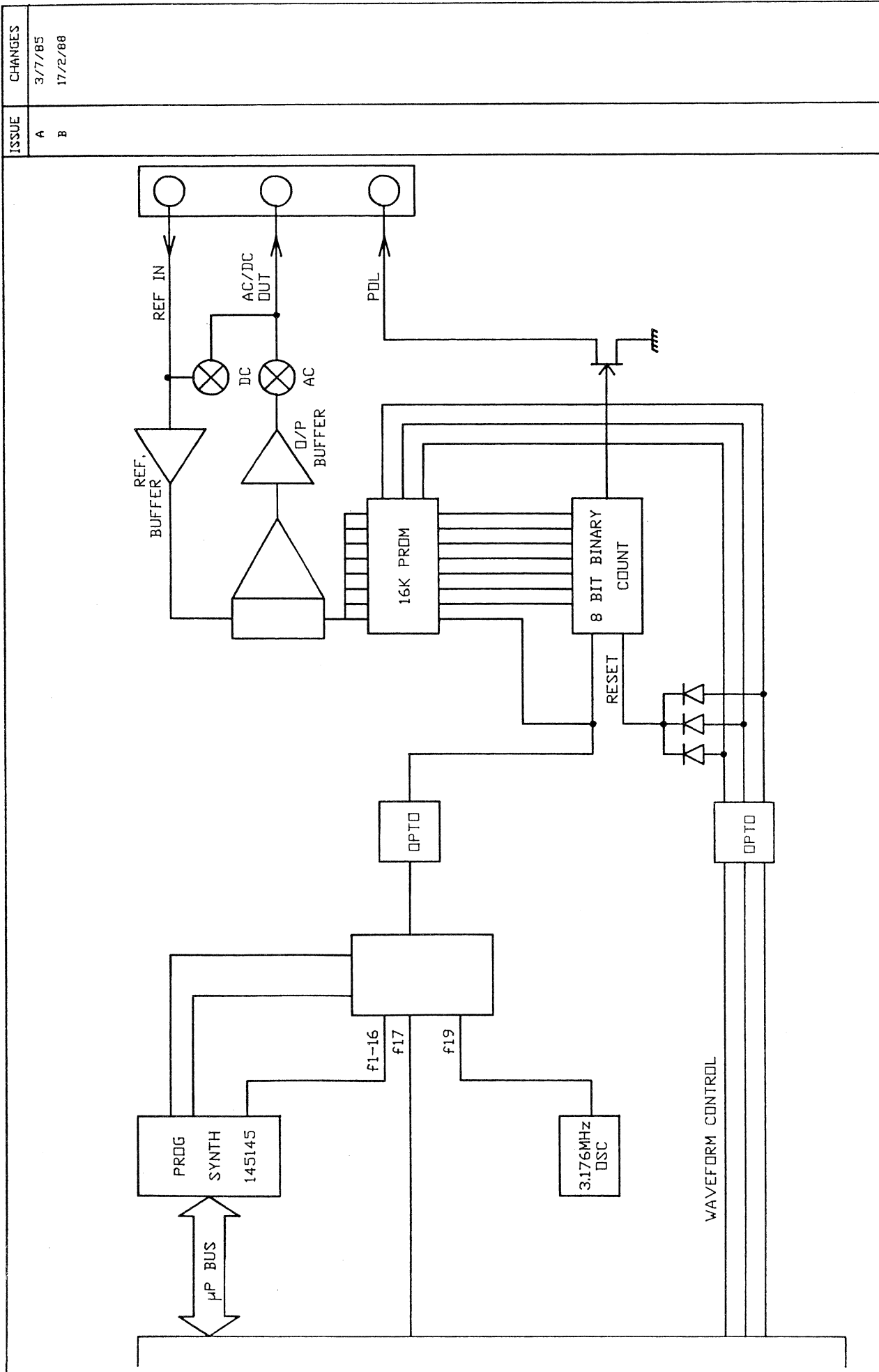
**TIME
ELECTRONICS
LTD**

A.C. SYNTHESIZER BOARD


DRG No 9418L01

DRAWN	C.A.L	TITLE	
APPRD			
SCALE			
DATE	3.12.86		

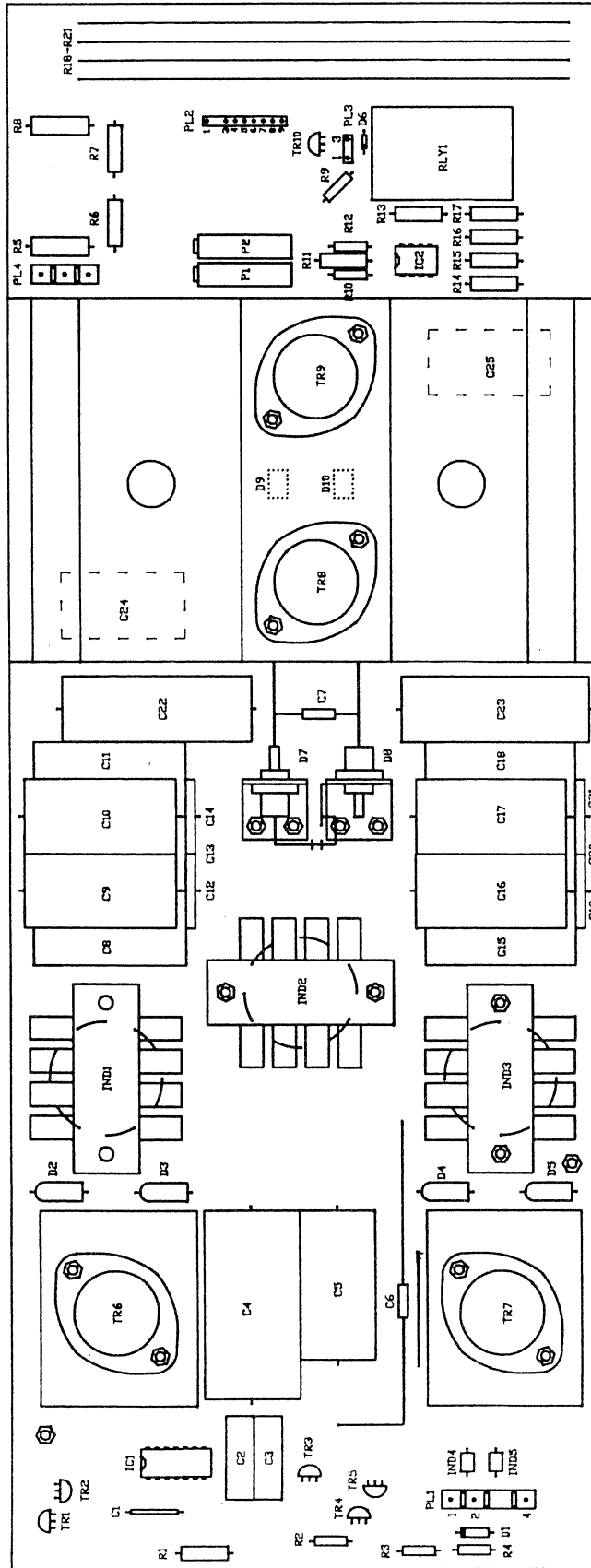
THE CONTENTS OF THIS DRG MUST NOT BE COPIED OR USED WITHOUT PRIOR WRITTEN CONSENT OF TIME ELECTRONICS LIMITED




ISSUE	CHANGES
A	3/7/85
B	17/2/88

 TIME ELECTRONICS LTD	DRAWN APPRD SCALE DATE	J.B. 3/7/85	TITLE
	9800 AC BOARD BLOCK DIAGRAM		
	THE CONTENTS OF THIS DRG MUST NOT BE REPRODUCED OR TRANSMITTED IN ANY FORM OR BY ANY MEANS WITHOUT THE WRITTEN CONSENT OF TIME ELECTRONICS LIMITED		
	DRG No. 9418B01		

ISSUE	CHANGES

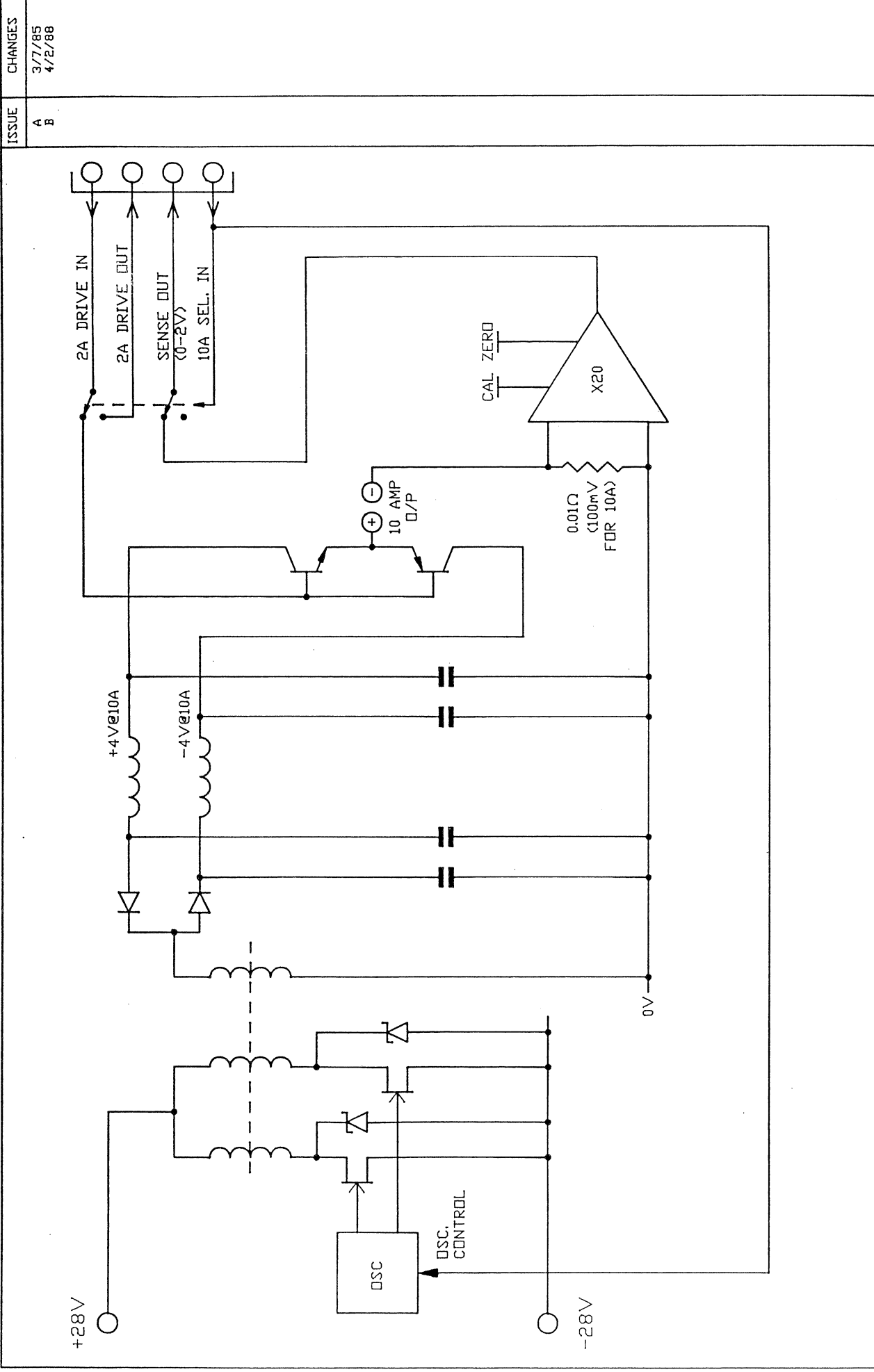


	TIME ELECTRONICS LTD	DRAWN	B.D.	TITLE
		APPRD		
		SCALE		
		DATE	16/9/85	9428L01


9800 10 AMP BOARD LAYOUT

THE CONTENTS OF THIS DRG MUST NOT BE COPIED OR USED WITHOUT PRIOR WRITTEN CONSENT OF TIME ELECTRONICS LIMITED

DRG No 9428L01



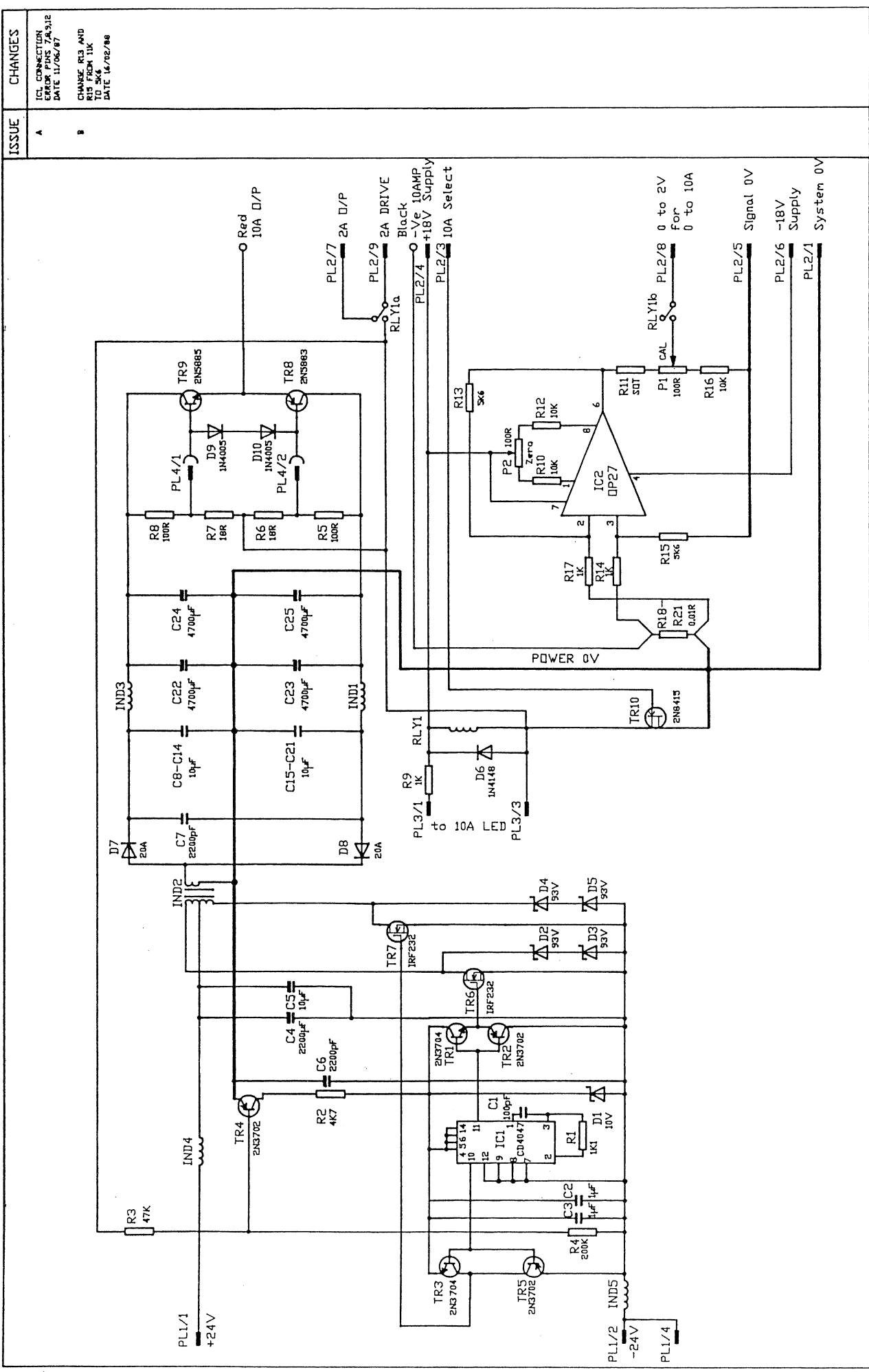
ISSUE	CHANGES
A	3/7/85
B	4/2/88

 TIME ELECTRONICS LTD	DRAWN	J.B.	TITLE
	APPRD		
	SCALE		
	DATE	3/7/85	DRG No


9800 10 AMP BOARD BLOCK DIAGRAM

9428B01

THE CONTENTS OF THIS DRG MUST NOT BE COPIED OR USED WITHOUT PRIOR WRITTEN CONSENT OF TIME ELECTRONICS LIMITED

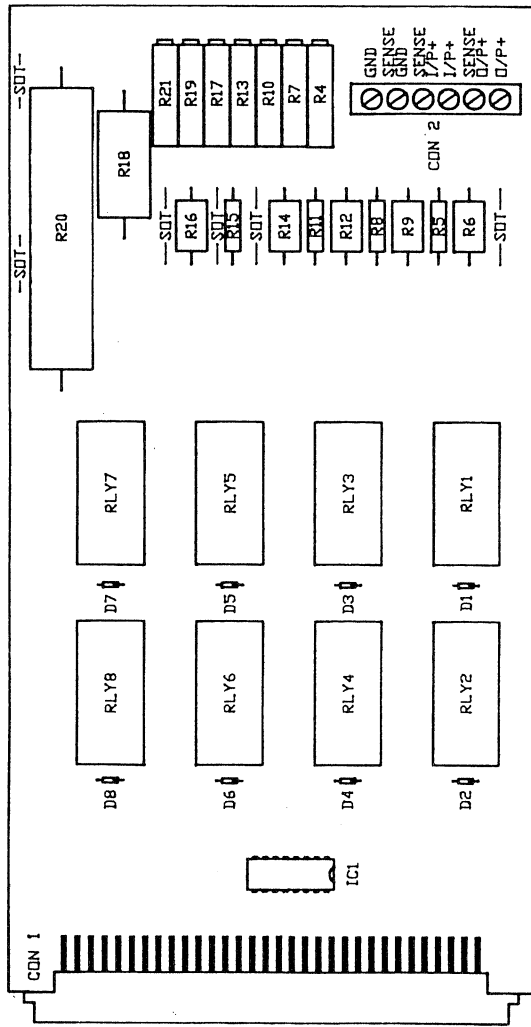



ISSUE	CHANGES
A	ICL CONNECTION ERROR PDS 7A.9.12 DATE 11/02/87
B	CHANGE R13 AND R15 FROM 1K TO 5K DATE 16/02/88

	TIME ELECTRONICS LTD	DATE 25/9/85	SCALE	APPRD	DRAWN	B.D.	TITLE
	10 AMP BOARD CIRCUIT DIAGRAM						

THE CONTENTS OF THIS DRG MUST NOT BE COPIED OR USED WITHOUT PRIOR WRITTEN CONSENT OF TIME ELECTRONICS LIMITED	DRG No 9428C01
---	-----------------------

ISSUE	
CHANGES	

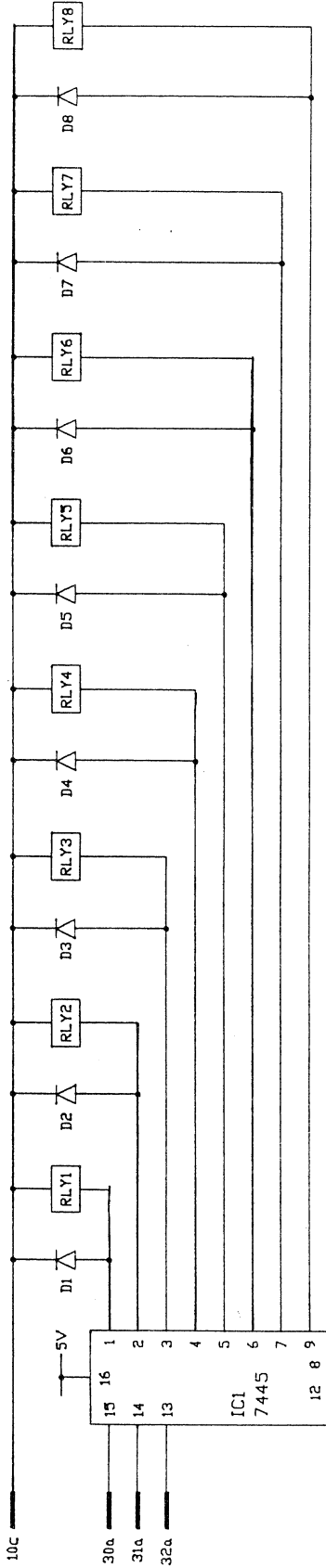
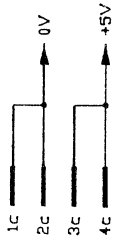


	TIME ELECTRONICS LTD	DATE	12/2/88	CONSENT OF TIME ELECTRONICS LIMITED
	SCALE			DRG No
	APPRD			9414L01
	DRAWN	P.J.G.	TITLE	9800 RESISTANCE BOARD

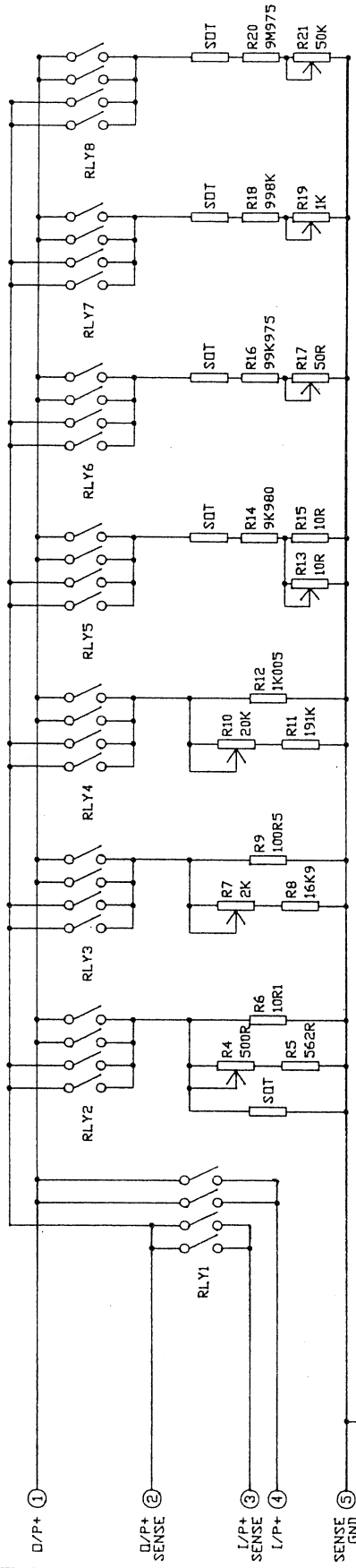
ISSUE E
 CHANGES DRAWN ON ACAD 11/02/88

ALL RELAYS ARE TYPE SDS S4-12V

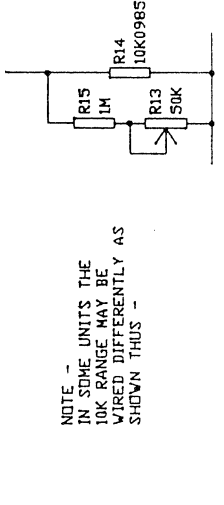
CON 1



CON 2 10R 100R 1K 10K 100K 1M 10M



SEE NOTE



NOTE - IN SOME UNITS THE 10K RANGE MAY BE WIRED DIFFERENTLY AS SHOWN THIS -

TIME ELECTRONICS LTD

PROG. RES. BOARD DIAGRAM

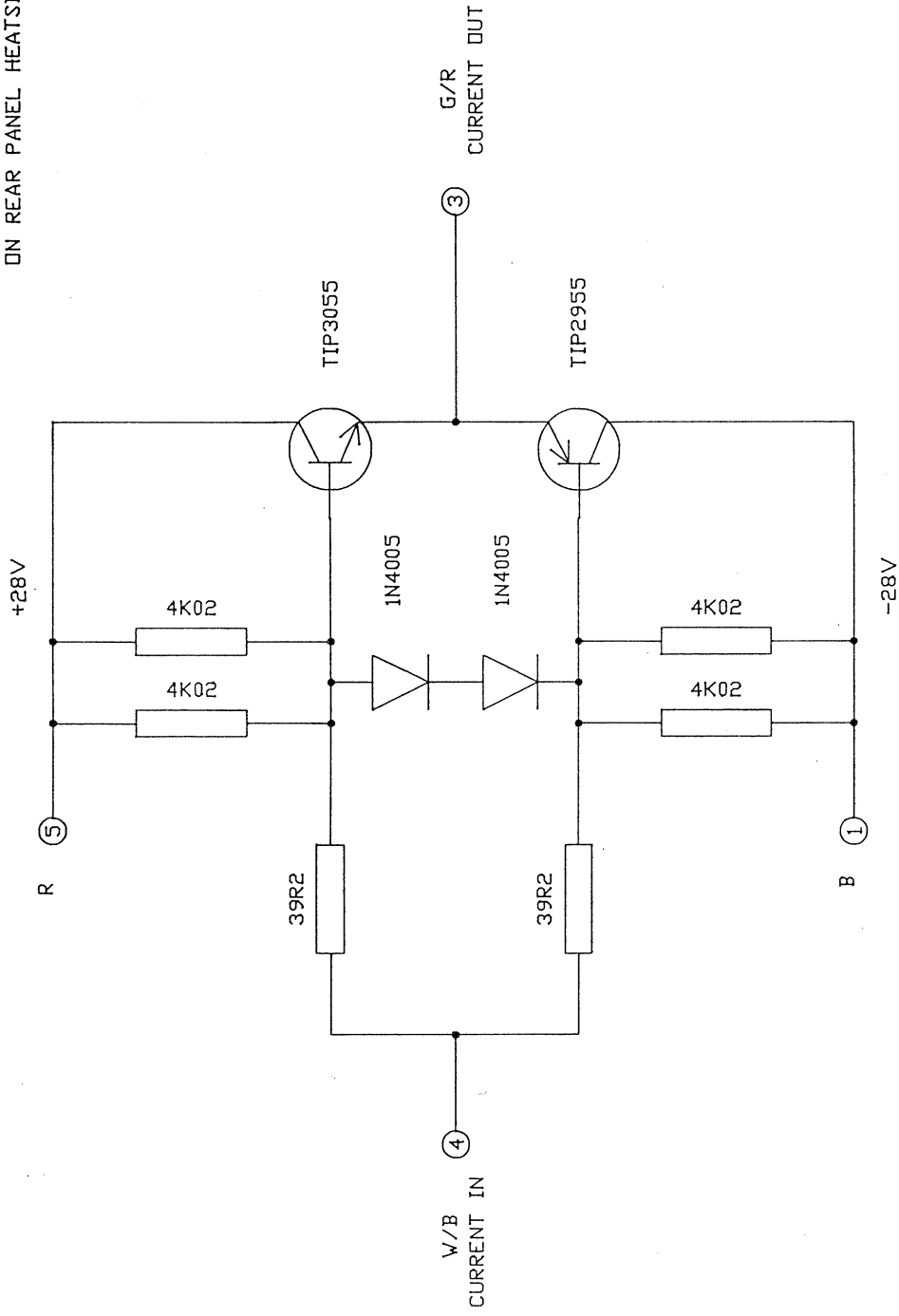
DRAWN	P.J.G.	TITLE
APPRD		
SCALE		
DATE	10/2/88	DRG No


9414C01

THE CONTENTS OF THIS DRG MUST NOT BE COPIED OR USED WITHOUT PRIOR WRITTEN CONSENT OF TIME ELECTRONICS LIMITED

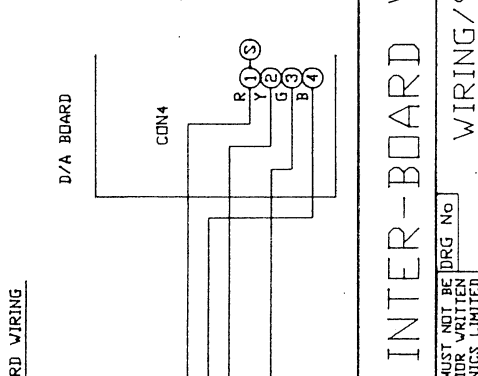
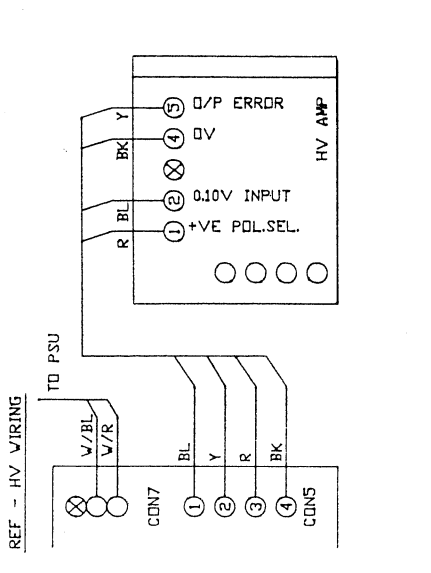
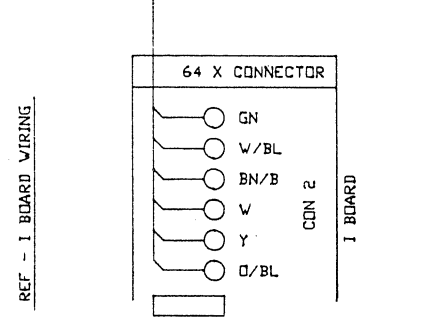
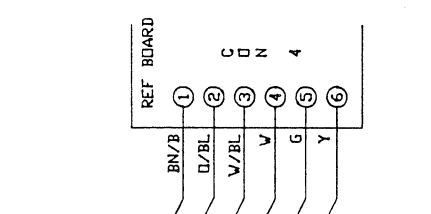
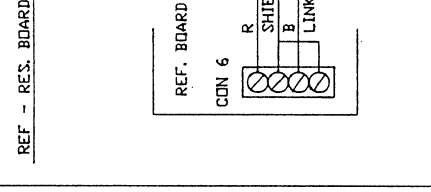
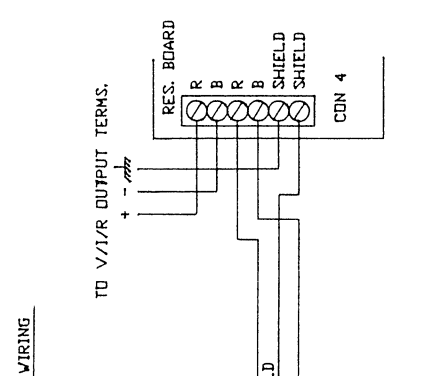
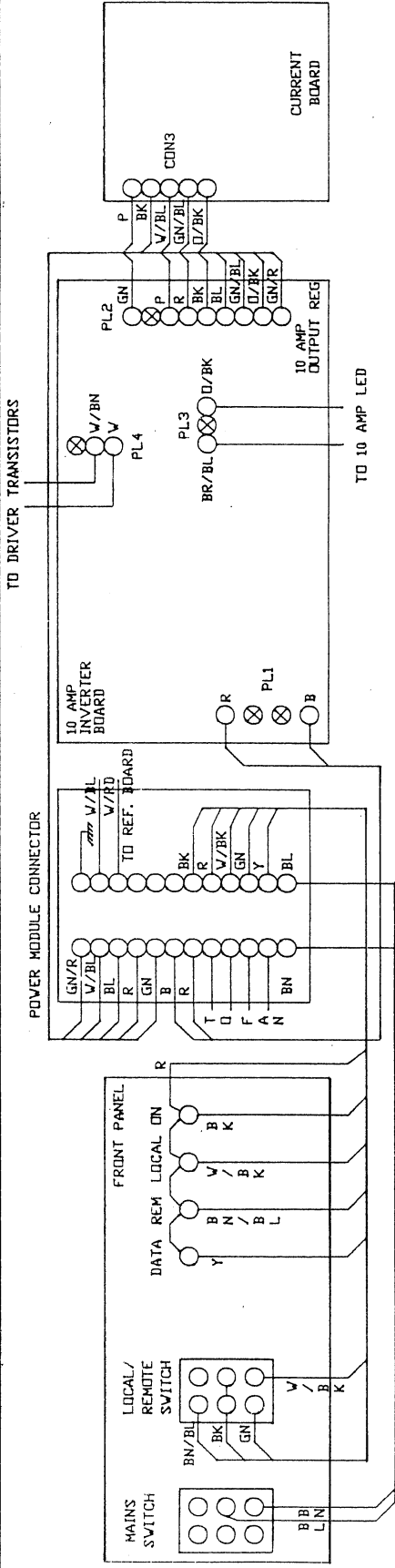
ISSUE	CHANGES

BOTH TRANSISTORS MOUNTED ON REAR PANEL HEATSINK.



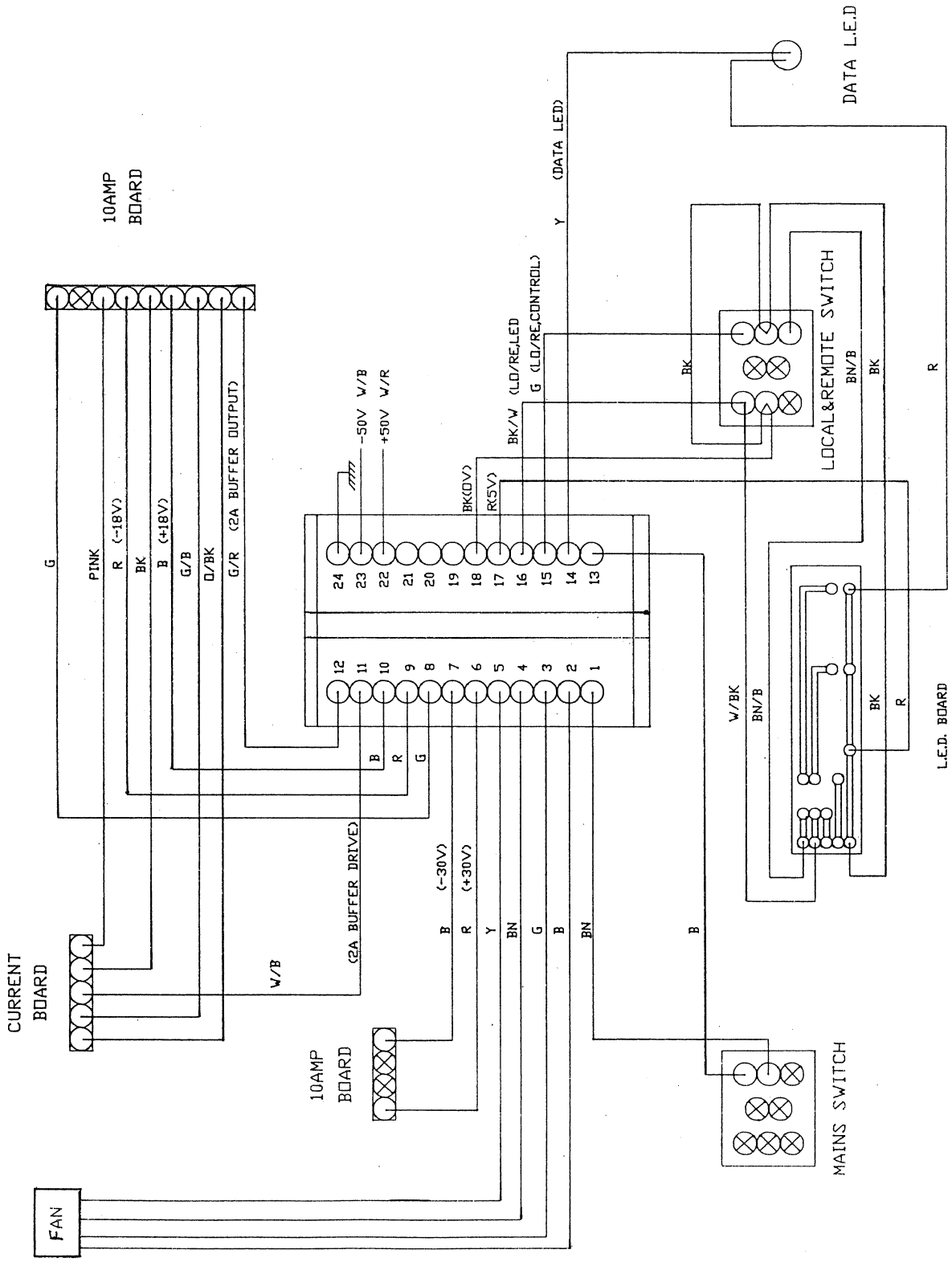
 TIME ELECTRONICS LTD	DRAWN APPRD SCALE DATE	P.J.G. 16/2/88	TITLE 9822 TRANSISTOR NETWORK
	THE CONTENTS OF THIS DRG MUST NOT BE COPIED OR USED WITHOUT PRIOR WRITTEN CONSENT OF TIME ELECTRONICS LIMITED		


DRG No 9572C10



	DATE	SCALE	APPRD	P.J.G.	TITLE
	15/2/88	NON/APP			9822 INTER-BOARD WIRING
THE CONTENTS OF THIS DRG MUST NOT BE COPIED OR USED WITHOUT PRIOR WRITTEN CONSENT OF TIME ELECTRONICS LIMITED					
					DRG No
					WIRING/9822W03

ISSUE	CHANGES
-------	---------



 TIME ELECTRONICS LTD	DRAWN	C.A.L	TITLE
	APPRD		9821, 22, 23 WIRING FROM PSU CON.
	SCALE		
	DATE	13-3-86	DRG No

THE CONTENTS OF THIS DRG MUST NOT BE COPIED OR USED WITHOUT PRIOR WRITTEN CONSENT OF TIME ELECTRONICS LIMITED