

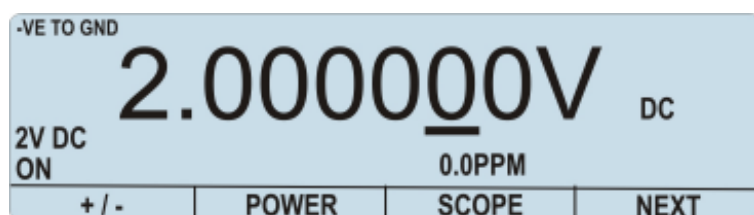
The 3000 Series range of calibrators provides a range hold function to allow the specific calibrator range to be locked.

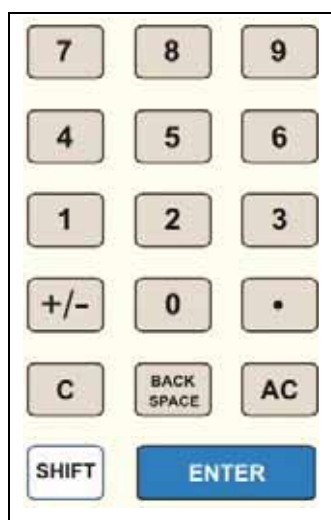
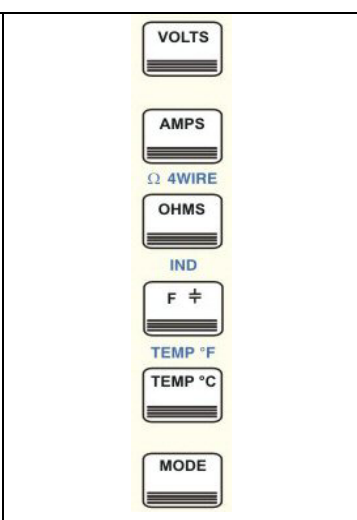

This ability to output lower values from a range results in **lower output resistance** ideal for use with analogue meters.

In order to set this function follow the sequence as shown below :

Example : Set range hold on the 2V range :

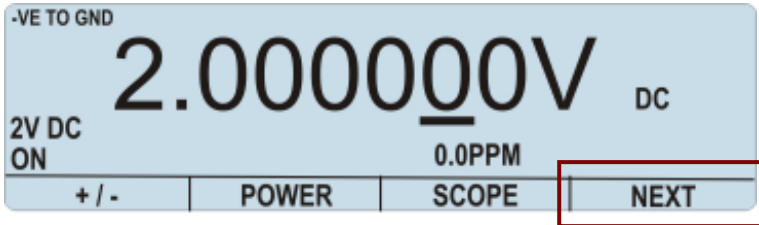
1. Set an output to set calibrator to 2V range



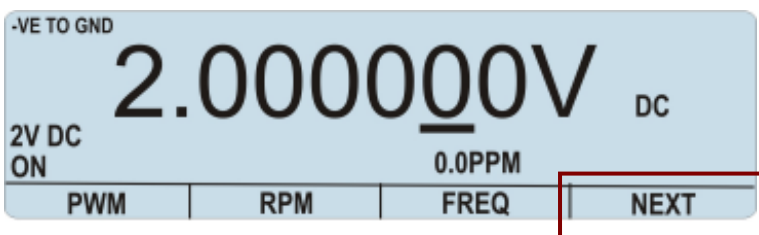
		
<p>Key Digit 2</p>	<p>Press VOLTS Function Key</p>	<p>Press Enter</p>

2. Go to the **SETUP** menu

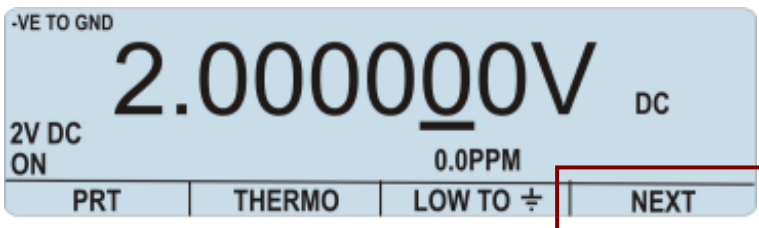
Select **Next**



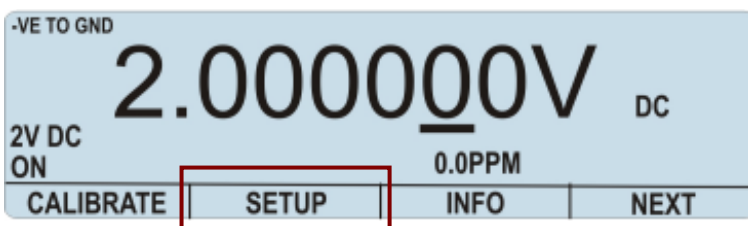
Select **Next**



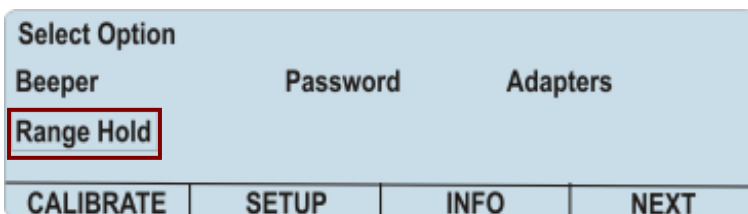
Select **Next**



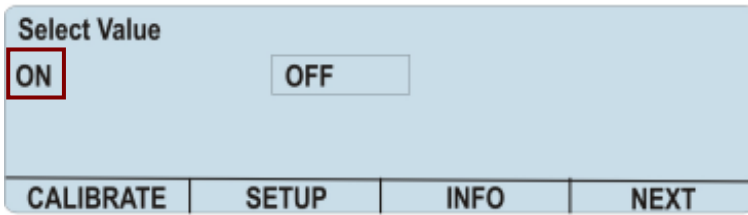
Select **SETUP**



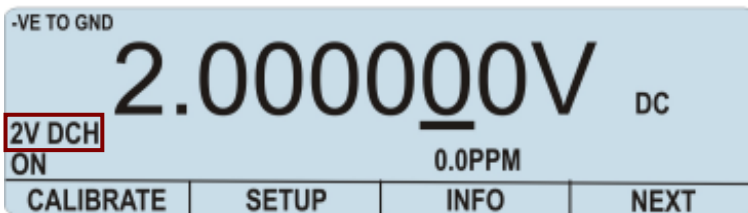
Select **RANGE HOLD** menu item using the cursor keys



Select **On** menu item using the cursor keys
(press enter to confirm selection)

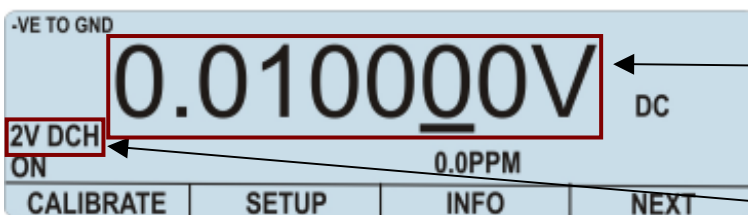


Display will indicate range hold by displaying 2V DCH



3. Set, for example, 10mV - the calibrator will stay on the 2V range

<p>Key Digits 10</p>	<p>Press 'm' Multiplier</p>	<p>Press VOLTS Function Key</p>	<p>Press Enter</p>



OUTPUT SET TO 10mV -
CALIBRATOR RANGE IS
LOCKED TO 2V RANGE

2V DCH INDICATES RANGE
HOLD ACTIVE