

On-Board Weighing System for Bulk Collection

FEATURES

- Capacity: 17 to 50 tonne
- Accuracy: $\pm 1\%$ FSD
- Net payload display
- Gross vehicle weight display
- TipWatch: tipping risks alarm
- Trailer identification
- AxleWatch: axle overload alert
- Alarm sounder
- CANbus or analogue interface to load cells
- Serial printer support
- Password protection
- **Optional:**
 - Body mounted inclinometer
 - Printer: thermal or heavy duty
 - Custom printer headers
 - 511 FreeWeigh: hand-held remote display
 - Up to 3 cameras can be used

DISPLAY FEATURES

- Dash mount only
- Gross/net weight
- Individual axle weights
- Stability indication
- Diagnostics

APPLICATIONS

- Aggregates
- Quarries
- Bulk powder
- Feed delivery



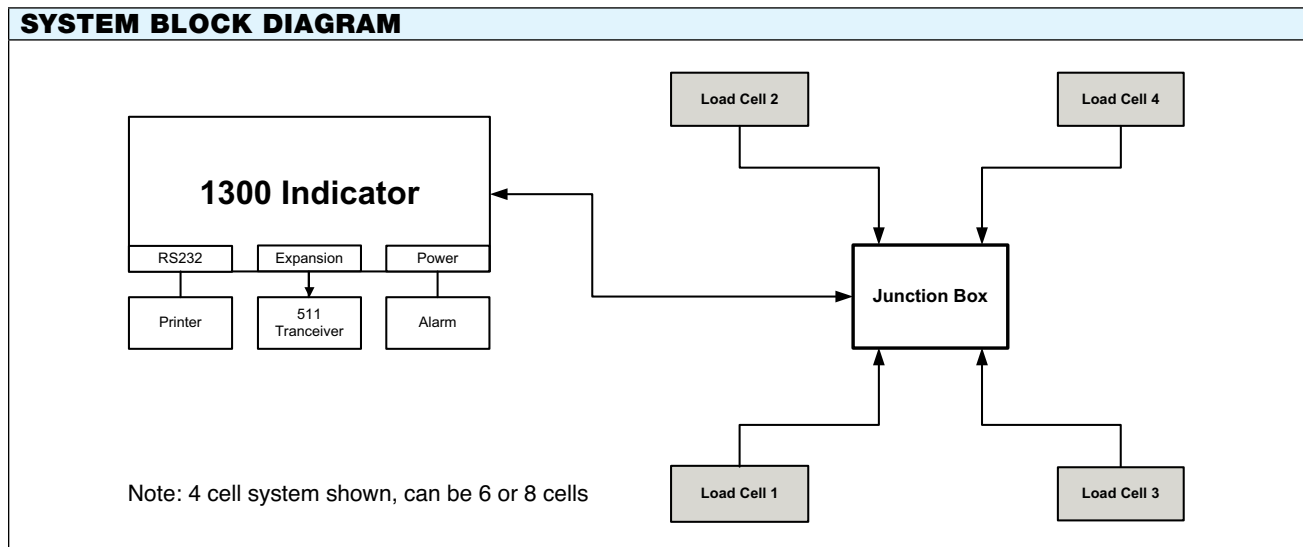
- Off-road
- Demountable
- Skip Vehicles

DESCRIPTION

The durable BulkWeigh system is designed for high accuracy in rugged environments. Waterproofed to marine quality standards, BulkWeigh is the first choice for bulk transport applications suitable for a variety of trucks from 17 to 44 tonne GVW.

The BulkWeigh system provides TipWatch as standard utilising inclinometer based technology within the chassis mounted junction box to monitor load distribution and vehicle positioning on uneven ground. AxleWatch provides operators with individual axle weights and gross vehicle weight which enables even distribution of load and aids drivers to be legally loaded on each axle. Body-up alerts the driver if the body is raised. Retro compatibility makes the 1300 indicator suitable for new and existing systems and Trailer Identification makes it ideal for mixed fleets. In addition the versatile 1300 indicator combines a weight indicator with a rear view monitor for upto three cameras and uses a TFT touch screen to navigate through the available options.

SYSTEM BLOCK DIAGRAM



On-Board Weighing System for Bulk Collection

SPECIFICATIONS				
PARAMETERS	MIN.	TYP.	MAX.	UNIT
SYSTEM				
Accuracy	1			% of Full Scale
Supply voltage	15		30	VDC
Supply current, operation	380		910	mA (depending on supply voltage)
Supply current, standby	12		21	mA (depending on supply voltage)
Video standard output	PAL 1			
Video input, camera	PAL 1			
Camera power spec	12 V, 200 mA, per camera			
Digital inputs	2, drive with 12–30 V (+µε)			
Digital outputs	2, low side switching			
Operating temperature	0		+60	°C
Environmental protection	IP21			
Pasword protection	4 digits, manager and user PIN			
SCREEN				
Size	6.4			Inches
Operating temperature	0		60	°C
Supply voltage	15		30	VDC
Supply current, operation	180		500	mA (depending on supply voltage)
Supply current, standby	12		20	mA (depending on supply voltage)
Video standard	PAL or NTSC			
Touchscreen type	Resistive			
Environmental protection	IP51			dB (A)
INTERFACES				
Serial communications	CANbus 2.0 b			
RS232: Baud rate Connector	2400, 4800, 9600, 19200 9 pin connector – printer			bps
Power/alarm connector	8 way rectangular			
Cable to indicator	8 way			
Camera connectors	8 way			
Load cell connector	4 way			
LOAD CELLS				
Load cell types	Up to 8 CANbus or analogue laod cells			
ACCESSORIES AND OPTIONS				
Overload alarm, visual	On screen display of weight			
Overload alarm, audible	Optional alarm on vehicle			
Alarm output (at 24 VDC)	102			dB (A)
511 FreeWeigh compatible	Wireless remote unit, 868 MHz, 15 channels			
Load deliver capability				
Printer capability	Impact or heavy duty type			
Adjustable bracket				



Disclaimer

ALL PRODUCTS, PRODUCT SPECIFICATIONS AND DATA ARE SUBJECT TO CHANGE WITHOUT NOTICE.

Vishay Precision Group, Inc., its affiliates, agents, and employees, and all persons acting on its or their behalf (collectively, "VPG"), disclaim any and all liability for any errors, inaccuracies or incompleteness contained herein or in any other disclosure relating to any product.

The product specifications do not expand or otherwise modify VPG's terms and conditions of purchase, including but not limited to, the warranty expressed therein.

VPG makes no warranty, representation or guarantee other than as set forth in the terms and conditions of purchase. **To the maximum extent permitted by applicable law, VPG disclaims (i) any and all liability arising out of the application or use of any product, (ii) any and all liability, including without limitation special, consequential or incidental damages, and (iii) any and all implied warranties, including warranties of fitness for particular purpose, non-infringement and merchantability.**

Information provided in datasheets and/or specifications may vary from actual results in different applications and performance may vary over time. Statements regarding the suitability of products for certain types of applications are based on VPG's knowledge of typical requirements that are often placed on VPG products. It is the customer's responsibility to validate that a particular product with the properties described in the product specification is suitable for use in a particular application. You should ensure you have the current version of the relevant information by contacting VPG prior to performing installation or use of the product, such as on our website at vpgsensors.com.

No license, express, implied, or otherwise, to any intellectual property rights is granted by this document, or by any conduct of VPG.

The products shown herein are not designed for use in life-saving or life-sustaining applications unless otherwise expressly indicated. Customers using or selling VPG products not expressly indicated for use in such applications do so entirely at their own risk and agree to fully indemnify VPG for any damages arising or resulting from such use or sale. Please contact authorized VPG personnel to obtain written terms and conditions regarding products designed for such applications.

Product names and markings noted herein may be trademarks of their respective owners.

Copyright Vishay Precision Group, Inc., 2014. All rights reserved.