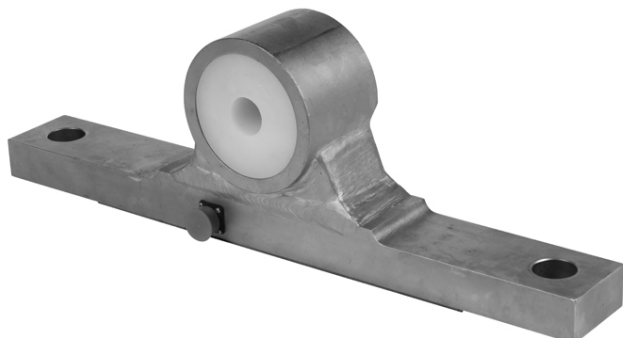


## Fontaine 5<sup>th</sup> Wheel Load Cell



### FEATURES

- Extremely durable
- Compatible with Fontaine 5<sup>th</sup> wheel
- Alloy steel - high resistance to corrosion
- Nickel-plated
- Triple-redundant sealing for durability
- Bolt-on design
- Four-pin side connector
- Temperature and twist compensated

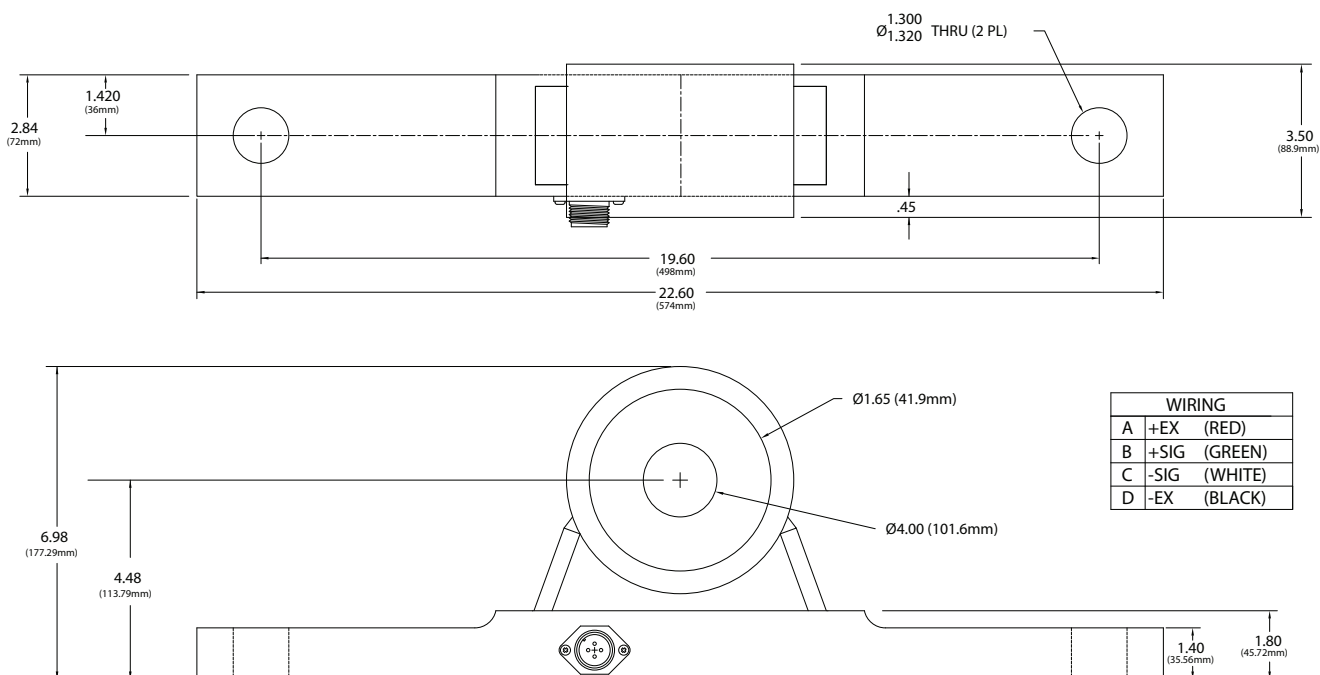
### DESCRIPTION

SI Onboard's heavy-duty 5<sup>th</sup> wheel load cells are designed for weighing utilizing the Fontaine 5<sup>th</sup> wheel to give accurate, reliable drive axle weights. Our performance, reliability and long life speak for itself.

### APPLICATIONS

- Forestry/logging
- Bulk hauling
- Aggregate
- Agriculture
- General highway

### OUTLINE DIMENSIONS



Fontaine 5<sup>th</sup> Wheel Load Cell

<b>SPECIFICATIONS</b>	
<b>PARAMETERS</b>	<b>VALUE</b>
Capacity	60,000 lbs (30,000 kg)
Output	0.50mV/V $\pm$ 0.01 at 17,000 lbs
Non-Linearity, Hysteresis, Repeatability	$\pm$ 1.0% of Full Scale
Creep	$\pm$ 0.1% of Load in 20 Minutes
Temperature Compensated Range	-40° to 150° F (-4° to 65° C)
Maximum Excitation	15 V dc or ac
Impedance	350 Ohm Min.
Isolation Resistance	500 Meg Ohms at 50 Volts
Load Cell Material	Alloy Steel, Nickel-Plated



## Disclaimer

ALL PRODUCTS, PRODUCT SPECIFICATIONS AND DATA ARE SUBJECT TO CHANGE WITHOUT NOTICE.

Vishay Precision Group, Inc., its affiliates, agents, and employees, and all persons acting on its or their behalf (collectively, "VPG"), disclaim any and all liability for any errors, inaccuracies or incompleteness contained herein or in any other disclosure relating to any product.

The product specifications do not expand or otherwise modify VPG's terms and conditions of purchase, including but not limited to, the warranty expressed therein.

VPG makes no warranty, representation or guarantee other than as set forth in the terms and conditions of purchase. **To the maximum extent permitted by applicable law, VPG disclaims (i) any and all liability arising out of the application or use of any product, (ii) any and all liability, including without limitation special, consequential or incidental damages, and (iii) any and all implied warranties, including warranties of fitness for particular purpose, non-infringement and merchantability.**

Information provided in datasheets and/or specifications may vary from actual results in different applications and performance may vary over time. Statements regarding the suitability of products for certain types of applications are based on VPG's knowledge of typical requirements that are often placed on VPG products. It is the customer's responsibility to validate that a particular product with the properties described in the product specification is suitable for use in a particular application. You should ensure you have the current version of the relevant information by contacting VPG prior to performing installation or use of the product, such as on our website at [vpgsensors.com](http://vpgsensors.com).

No license, express, implied, or otherwise, to any intellectual property rights is granted by this document, or by any conduct of VPG.

The products shown herein are not designed for use in life-saving or life-sustaining applications unless otherwise expressly indicated. Customers using or selling VPG products not expressly indicated for use in such applications do so entirely at their own risk and agree to fully indemnify VPG for any damages arising or resulting from such use or sale. Please contact authorized VPG personnel to obtain written terms and conditions regarding products designed for such applications.

Product names and markings noted herein may be trademarks of their respective owners.

Copyright Vishay Precision Group, Inc., 2014. All rights reserved.