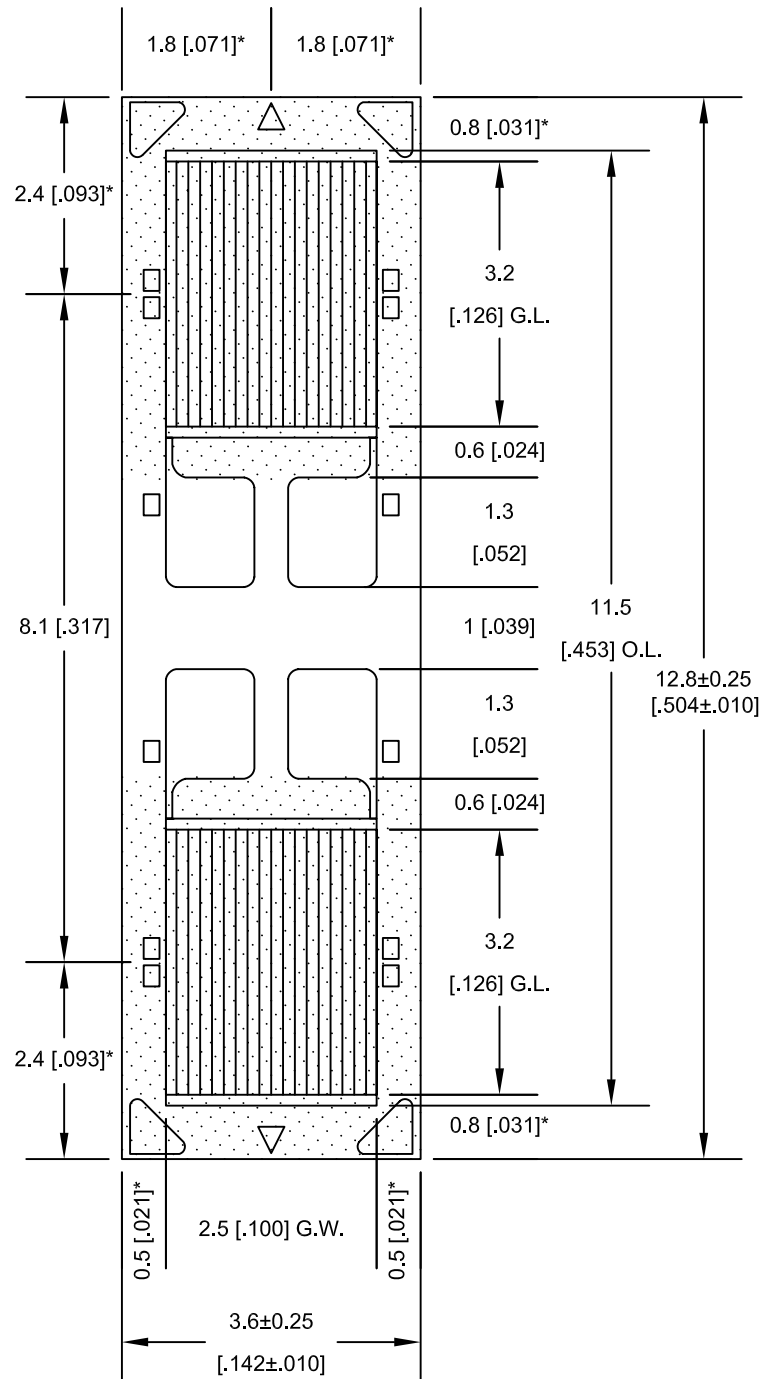


LTR	REVISION	ERN	INITIAL	DATE
A			AR	2012-04-30



ALL DIMENSIONS ARE IN mm [INCHES]

* THESE MATRIX RELATED DIMENSIONS ARE ± 0.12 [± 0.005]

THESE DRAWINGS/SPECIFICATIONS ARE THE EXCLUSIVE PROPERTY OF MICRO-MEASUREMENTS. THEY SHALL NOT BE REPRODUCED OR COMMUNICATED TO OTHERS, IN WHOLE OR IN PART, NOR BE USED AS A BASIS FOR MANUFACTURE OR SALE OF THE ITEMS REPRESENTED, WITHOUT THE WRITTEN PERMISSION OF MICRO-MEASUREMENTS.



Micro-Measurements
Raleigh, North Carolina USA



S5080 PATTERN LAYOUT

CONSTRUCTION:

OPTIONS:

N2A

E3, DG

RESISTANCE:

REFERENCE:

350±0.3%

DRAWN BY:

DATE:

SCALE:

ALL DIMENSIONS ARE IN INCHES
UNLESS OTHERWISE SPECIFIED.

AR
PROJ. ENG.
GY

2012-04-30
DATE:
2012-04-30

N.T.S.
DWG. #

MS-5080-10078

REVISION:

A