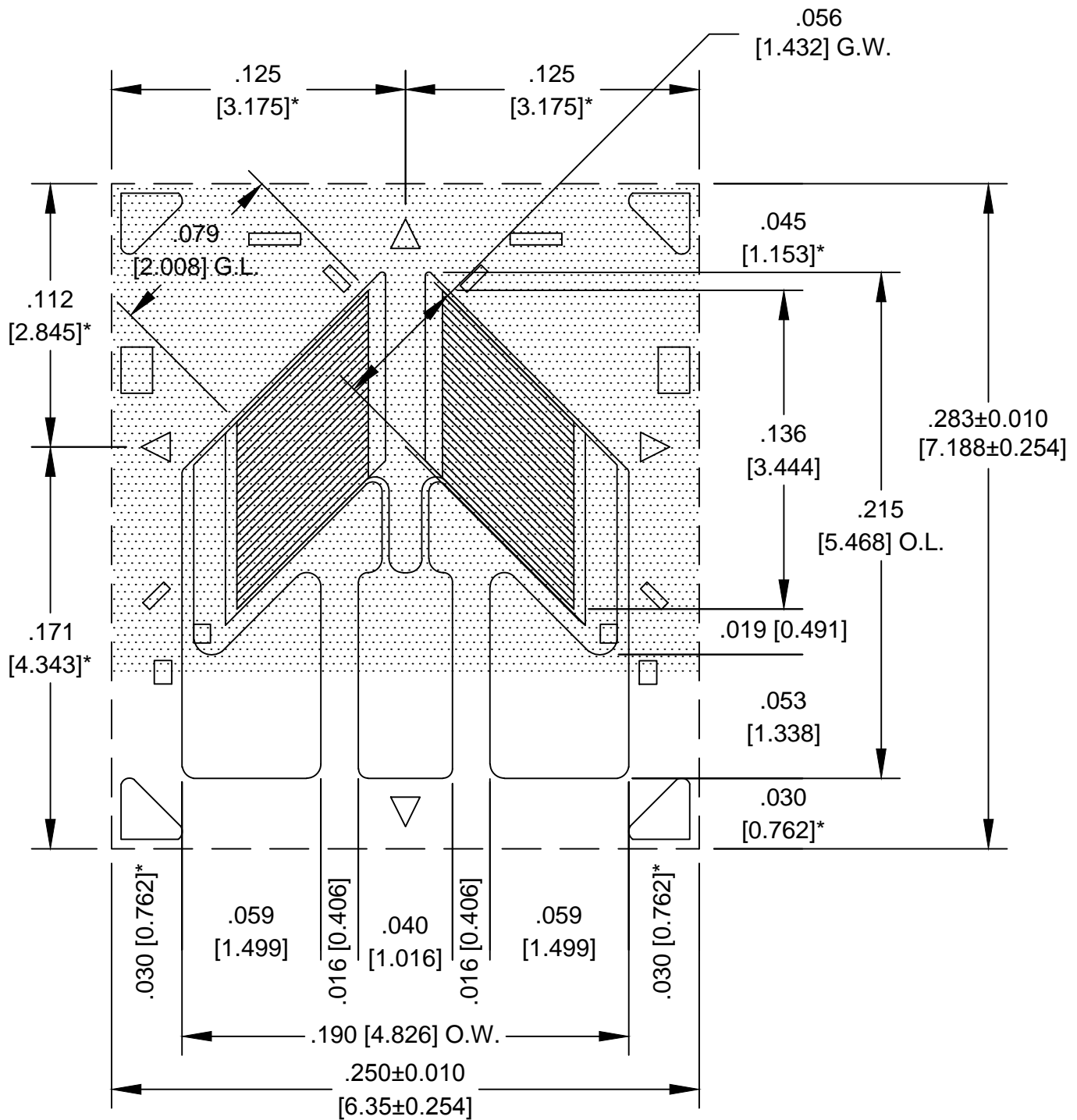


LTR	REVISION	ERN	INITIAL	DATE
A	O/C update		OS	2017-02-23
~			AR	2015-07-08



* THESE MATRIX RELATED DIMENSIONS ARE ±0.005

THESE DRAWINGS/SPECIFICATIONS ARE THE EXCLUSIVE PROPERTY OF MICRO-MEASUREMENTS. THEY SHALL NOT BE REPRODUCED OR COMMUNICATED TO OTHERS, IN WHOLE OR IN PART, NOR BE USED AS A BASIS FOR MANUFACTURE OR SALE OF THE ITEMS REPRESENTED, WITHOUT THE WRITTEN PERMISSION OF MICRO-MEASUREMENTS.



Micro-Measurements
Raleigh, North Carolina USA



S5185 PATTERN LAYOUT

CONSTRUCTION: N2A
OPTIONS: E3, E4

RESISTANCE: 350±0.2%
REFERENCE:

DRAWN BY: OS
DATE: 2017-02-23
PROJ. ENG: AH
DATE: 2017-02-23

SCALE: ALL DIMENSIONS ARE IN INCHES [MM].
DWG. # MS-S5185-10261
REVISION: A