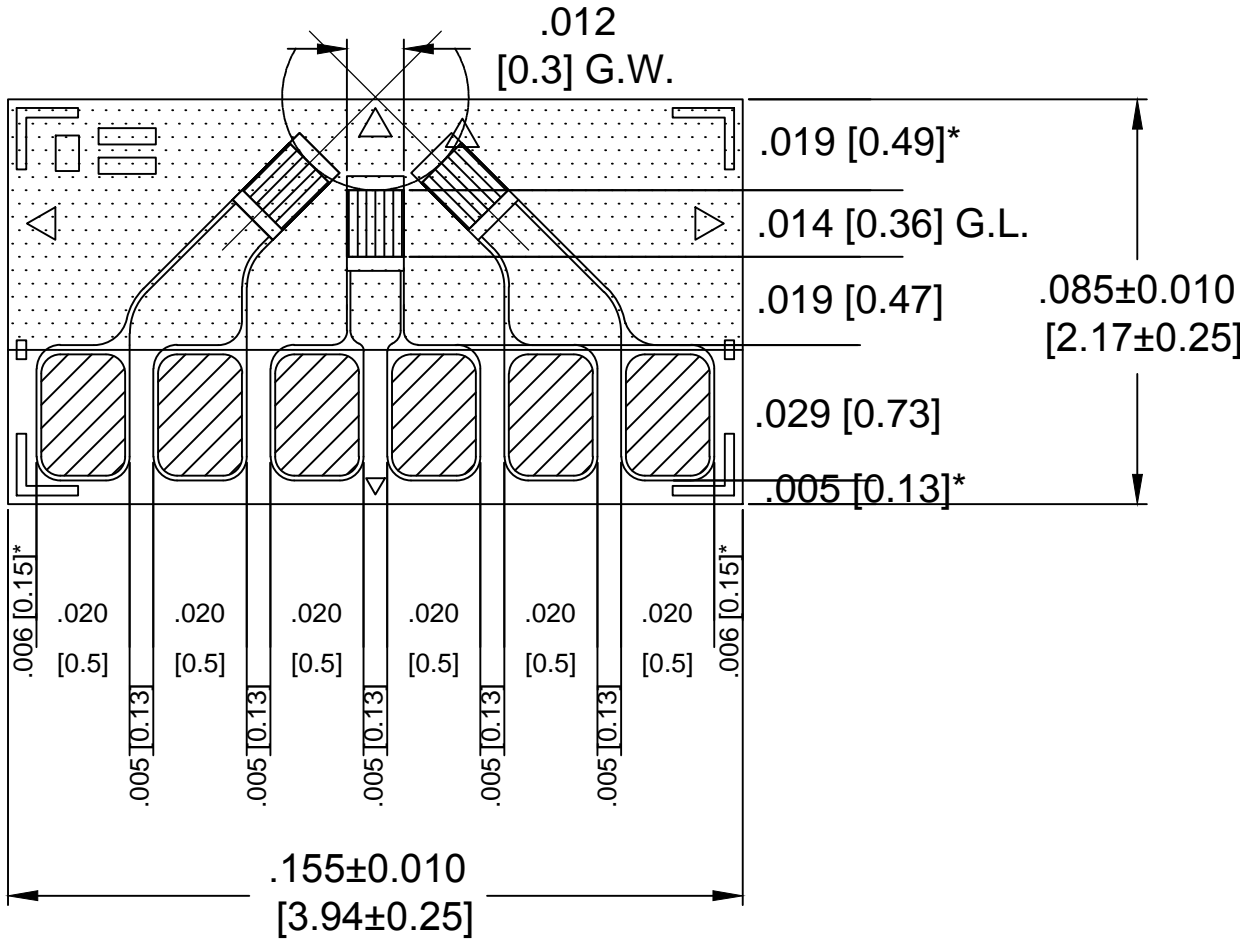


LTR	REVISION	ERN	INITIAL	DATE
~			OS	2016-01-19



* THESE MATRIX RELATED DIMENSIONS ARE ±.0025 [±0.06]

THESE DRAWINGS/SPECIFICATIONS ARE THE EXCLUSIVE PROPERTY OF MICRO-MEASUREMENTS. THEY SHALL NOT BE REPRODUCED OR COMMUNICATED TO OTHERS, IN WHOLE OR IN PART, NOR BE USED AS A BASIS FOR MANUFACTURE OR SALE OF THE ITEMS REPRESENTED, WITHOUT THE WRITTEN PERMISSION OF MICRO-MEASUREMENTS.



Micro-Measurements
Raleigh, North Carolina USA



S5198 PATTERN LAYOUT

CONSTRUCTION: N5K	OPTIONS: E5, DP, DG
RESISTANCE: 350±0.5%	REFERENCE:

DRAWN BY: OS	DATE: 2016-01-19	SCALE: N.T.S.	ALL DIMENSIONS ARE IN INCHES UNLESS OTHERWISE SPECIFIED.
PROJ. ENG. AH	DATE: 2016-01-19	DWG. # MS-S5198-10297	
			REVISION: ~