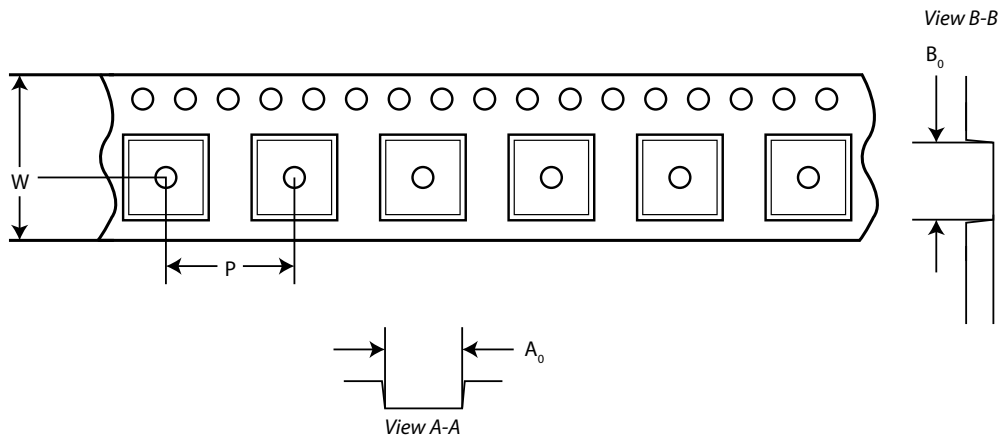


## Specifications for Surface Mount and Through-Hole/Radial Resistors

Surface Mount <sup>(1)</sup>								
RESISTOR TYPE (MODEL)	RESISTOR NOMINAL DIMENSIONS INCHES (mm)	TAPE SIZE <sup>(2)</sup> (W)	CAVITY SIZE mm		CAVITY PITCH (P)	MIN. LEADER LENGTH	MAX. QTY / REEL	
			A <sub>0</sub>	B <sub>0</sub>			7 in	13 in
SMR1D(Z)	0.236 (5.99) X 0.126 (3.20)	12 mm	3.46	6.26	8 mm	400 mm	500	3000
SMR3D(Z)	0.287 (7.29) X 0.17 (4.32)	12 mm	4.72	7.37	8 mm	400 mm	500	2500
SMN (Z)	0.157 (3.99) X 0.197 (5.00)	12 mm	6.7	5.4	8 mm	400 mm	500	2500
FRSM0603 <sup>(3)</sup>	0.063 (1.60) X 0.032 (0.18)	8 mm	1.12	1.85	4 mm	400 mm	3500	N/A
FRSM0805 <sup>(3)</sup>	0.080 (2.03) X 0.050 (1.27)	8 mm	1.524	2.286	4 mm	400 mm	3500	N/A
FRSM1206 <sup>(3)</sup>	0.126 (3.20) X 0.062 (1.57)	8 mm	1.9	3.5	4 mm	400 mm	3500	N/A
FRSM1506 <sup>(3)</sup>	0.150 (3.81) X 0.062 (1.57)	12 mm	2.134	4.343	4 mm	400 mm	4000	10000
FRSM2010 <sup>(3)</sup>	0.198 (5.03) X 0.097 (2.46)	12 mm	2.794	5.588	4 mm	400 mm	2000	8000
VSMP2018	0.204 (5.18) X 0.184 (4.67)	12 mm	5.08	5.59	8 mm	400 mm	2000	8000
FRSM2512	0.249 (6.32) X 0.127 (3.23)	12 mm	3.43	6.63	8 mm	400 mm	1500	8000
VCS1625(Z/ZP)	0.25 (6.35) X 0.160 (4.06)	12 mm	4.928	6.858	8 mm	400 mm	1000	3000
VCS1610(Z)	0.160 (4.06) X 0.1 (2.54)	12 mm	3	4.5	8 mm	400 mm	1000	N/A
FRFC/VFCP0805	0.079 (2.01) X 0.049 (1.24)	8 mm	1.524	2.286	4 mm	400 mm	3500	N/A
FRFC/VFCP1206	0.126 (3.20) X 0.062 (1.57)	8 mm	1.9	3.5	4 mm	400 mm	3500	N/A
FRFC/VFCP1506	0.150 (3.81) X 0.062 (1.57)	12 mm	2.134	4.343	4 mm	400 mm	4000	10000
VFCD1505	0.150 (3.81) X 0.050 (1.27)	12 mm	1.27	3.81	4 mm	400 mm	4000	10000
FRFC/VFCP2010	0.200 (5.08) X 0.100 (2.54)	12 mm	2.794	5.588	4 mm	400 mm	2000	8000
FRFC/VFCP2512	0.250 (6.35) X 0.126 (3.20)	12 mm	3.43	6.63	8 mm	400 mm	1500	8000
CSM2512(S)	0.250 (6.350) X 0.125 (3.175)	12 mm	3.43	6.63	8 mm	400 mm	1500	8000
CSM3637(Z)	0.130 (3.30) X 0.364 (9.24)	16 mm	9.6	9.6	12 mm	400 mm	1000	2000
DSM(Z)	0.160 (4.06) X 0.106 (2.69)	12 mm	3.45	4.83	8 mm	400 mm	1000	2500
VPR220S/221S	0.9 (22.86) X 0.4 (10.16)	44 mm	10.87	23.44	16 mm	400 mm	N/A	700



### Notes

- <sup>(1)</sup> Generally according to CEI 286-2 and DIN IEC 60286/2 Standards
- <sup>(2)</sup> 8, 12, 16 mm Embossed Conductive Tape Conforming to EIA-481
- <sup>(3)</sup> Also applicable for FRSG, FRSH, FRST, VSM, VSMP, 303261-266 and 303133-138 according to relevant size

Through Hole – Radial Resistors	
PARAMETER	VALUE OR UNIT
Resistor type (model)	RNC90 / VSR / S102
Nominal dimensions inches (mm)	H: 0.326 (8.28), L: 0.3 (7.62) LL: 1.0 (25.4)
Min. leader length	600 mm
Maximum quantity per reel	500 units
Maximum permissible outside diameter of fully packed reel	360 mm

DIMENSION	SIZE (mm)
W	18 <sup>+1</sup> <sub>-0.5</sub>
W1	9 <sup>+0.75</sup> <sub>-0.5</sub>
W2	3 max
H	18 <sup>-2</sup> <sub>0</sub>
D	Ø4 <sup>±0.2</sup>
P	12.7 <sup>+0.3</sup>
P1	4.45 <sup>+0.5</sup> <sub>-0.2</sub> for F (L.S) 0.150 inch
	3.81 <sup>+0.5</sup> <sub>-0.2</sub> for F (L.S) 0.200 inch