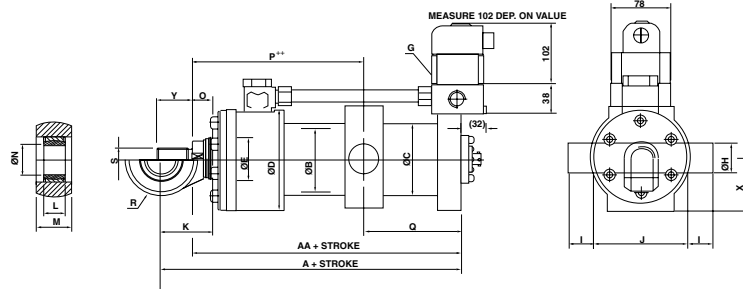


Servo Actuator

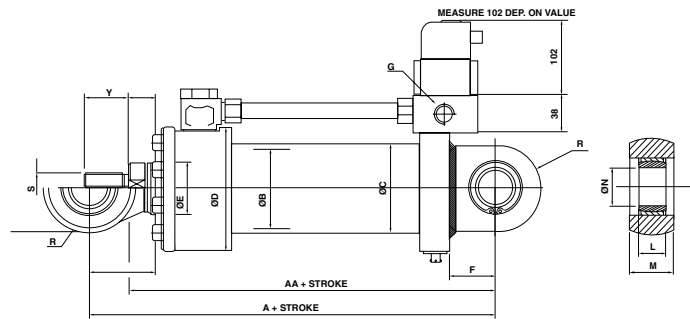
DIMENSIONS POS 100 SV



**Standard position
P=U+ 1/2 stroke

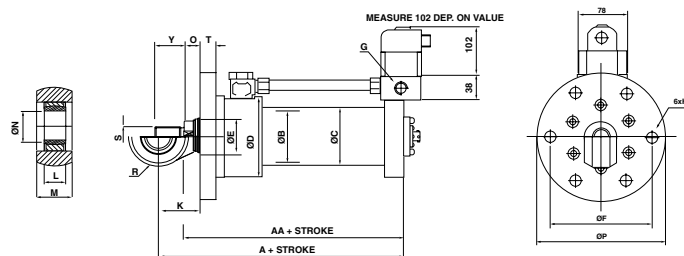
B	A	AA	C	D	E	G	H	I	J	K	L	M	N	O	P min	Q min	R	S	U	X	Y
40	175	163	50	72	25	R $\frac{1}{2}$ "	20	20	70	43	16	20	20	31	130	90	25	M16×1.5	110	39	22
50	180	166	60	85	32	R $\frac{1}{2}$ "	25	24	90	45	20	25	25	31	140	95	30	M20×1.5	115	50	28
63	198	175	73	100	40	R $\frac{1}{2}$ "	32	30	108	54	32	30	32	31	150	100	35	M27×2	115	60	36
80	208	175	90	115	50	R $\frac{1}{2}$ "	40	32	130	64	28	40	40	31	155	130	45	M33×2	115	70	45
100	238	192	110	150	63	R $\frac{3}{4}$ "	50	40	158	77	35	50	50	31	165	145	55	M42×2	115	88	56

DIMENSIONS POS 100 SK



B	A	AA	C	D	E	F	G	K	L	M	N	O	R	S	Y
40	210	198	50	72	25	35	R $\frac{1}{2}$ "	43	16	20	20	31	25	M16×1.5	22
50	215	201	60	85	32	35	R $\frac{1}{2}$ "	45	20	25	25	31	30	M20×1.5	28
63	243	220	73	100	40	45	R $\frac{1}{2}$ "	54	32	30	32	31	35	M27×2	36
80	256	223	90	115	50	48	R $\frac{1}{2}$ "	64	28	40	40	31	45	M33×2	45
100	298	252	110	150	63	60	R $\frac{3}{4}$ "	77	35	50	50	31	55	M42×2	56

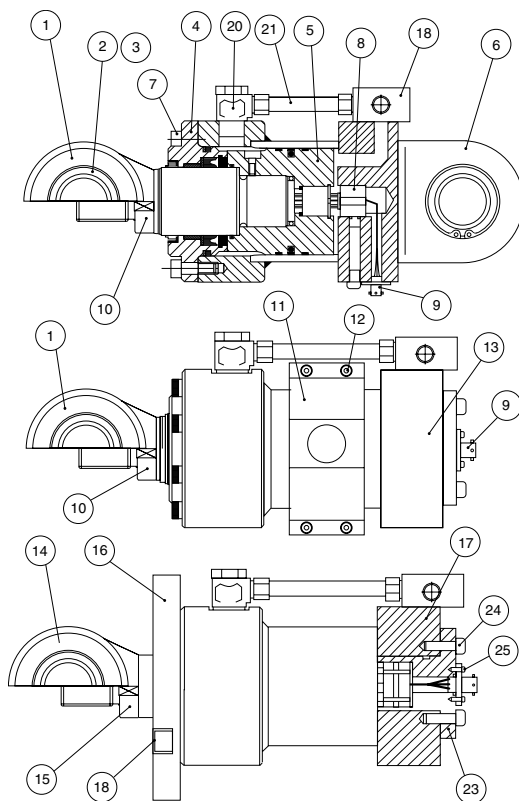
DIMENSIONS POS 100 SF



B	A	AA	C	D	E	F	G	H	K	L	M	N	O	P	R	S	T	Y
40	184	171	50	72	25	106	R $\frac{1}{2}$ "	9	43	16	20	20	31	125	25	M16×1.5	16	22
50	194	178	60	85	32	121	R $\frac{1}{2}$ "	11	45	20	25	25	31	145	30	M20×1.5	20	28
63	207	184	73	100	40	130	R $\frac{1}{2}$ "	14	54	32	30	32	31	160	35	M27×2	20	36
80	222	194	90	115	50	150	R $\frac{1}{2}$ "	16	64	28	40	40	31	185	45	M33×2	25	45
100	265	218	110	150	63	190	R $\frac{3}{4}$ "	22	77	35	50	50	31	235	55	M42×2	30	56

Servo Actuator

POS 100 SPARE PARTS



ITEM	UNIT	DESCRIPTION	40/25	50/32	63/40	80/50	100/63
1	1	Rod, K	34543*	34545*	34547*	34549*	34551*
2	2	Swivel head	71001	71003	71004	71000	71002
3	4	Circlip	72000	72001	72002	72003	72004
4	1	Front head	31001	31101	31201	31301	31401
5	1	Piston	32001	42102	42203	32301	32402
6	1	Housing, K	33532*	33535*	33538*	33541*	33544*
7	6	Screw	74001	74001			
7	8	Screw			74000	74000	74000
8	1	Transducer	6300*	6300*	6300*	6300*	6300*
9	1	Connector	6100	6100	6100	6100	6100
10	1	Rod, U	34544*	34546*	34548*	34550*	34552*
11	1	Trunnion	36000	36001	36200	36302	36401
12	4	Screw	74001	74001	74003	74000	74006
13	1	Housing, V	33533*	33536*	33539*	33542*	33545*
14	1	Rod, K	34533*	33535*	34537*	34539*	34541*
15	1	Rod, U	34534*	34536*	34538*	34540*	34542*
16	1	Flange	36001	36102	36201	36300	36304
17	1	Housing, F	33534*	33537*	33540*	33543*	33546*
18	6	Screw	74002	74002	74003	74007	74006
19	1	Manifold	36500	36501	36501	36501	36501
20	1	Pipe connection	76002	76001	76001	76001	76001
21	1	Pipe	45502*	45501*	45501*	45501*	45501*
22	1	Seal kit	80032	80033	80034	80035	80036
23	1	Holder	48809	48809	48809	48809	48809
24	4	Screw	74001	74001	74001	74001	74001
25	5	Screw	74008	74008	74008	74008	74008

*Depending on stroke



Disclaimer

ALL PRODUCTS, PRODUCT SPECIFICATIONS AND DATA ARE SUBJECT TO CHANGE WITHOUT NOTICE.

Vishay Precision Group, Inc., its affiliates, agents, and employees, and all persons acting on its or their behalf (collectively, "VPG"), disclaim any and all liability for any errors, inaccuracies or incompleteness contained herein or in any other disclosure relating to any product.

The product specifications do not expand or otherwise modify VPG's terms and conditions of purchase, including but not limited to, the warranty expressed therein.

VPG makes no warranty, representation or guarantee other than as set forth in the terms and conditions of purchase. **To the maximum extent permitted by applicable law, VPG disclaims (i) any and all liability arising out of the application or use of any product, (ii) any and all liability, including without limitation special, consequential or incidental damages, and (iii) any and all implied warranties, including warranties of fitness for particular purpose, non-infringement and merchantability.**

Information provided in datasheets and/or specifications may vary from actual results in different applications and performance may vary over time. Statements regarding the suitability of products for certain types of applications are based on VPG's knowledge of typical requirements that are often placed on VPG products. It is the customer's responsibility to validate that a particular product with the properties described in the product specification is suitable for use in a particular application. You should ensure you have the current version of the relevant information by contacting VPG prior to performing installation or use of the product, such as on our website at vpgsensors.com.

No license, express, implied, or otherwise, to any intellectual property rights is granted by this document, or by any conduct of VPG.

The products shown herein are not designed for use in life-saving or life-sustaining applications unless otherwise expressly indicated. Customers using or selling VPG products not expressly indicated for use in such applications do so entirely at their own risk and agree to fully indemnify VPG for any damages arising or resulting from such use or sale. Please contact authorized VPG personnel to obtain written terms and conditions regarding products designed for such applications.

Product names and markings noted herein may be trademarks of their respective owners.

Copyright Vishay Precision Group, Inc., 2014. All rights reserved.