

Evergreen Weigh Aircraft Weighing System with EW9150 Meter

FEATURES

- $\pm 0.1\%$ of applied load or $\pm 0.02\%$ of channel capacity, whichever is greater
- 10,500 to 400,000 lb capacity
- 1 to 5 weighing channels
- 4.3-in graphic color TFT display with LED backlight
- Stainless steel canister and S-type load cells
- RS232 for PC data storage
- **Optional:**
 - Printer
 - Center-of-gravity accessory kit

APPLICATIONS

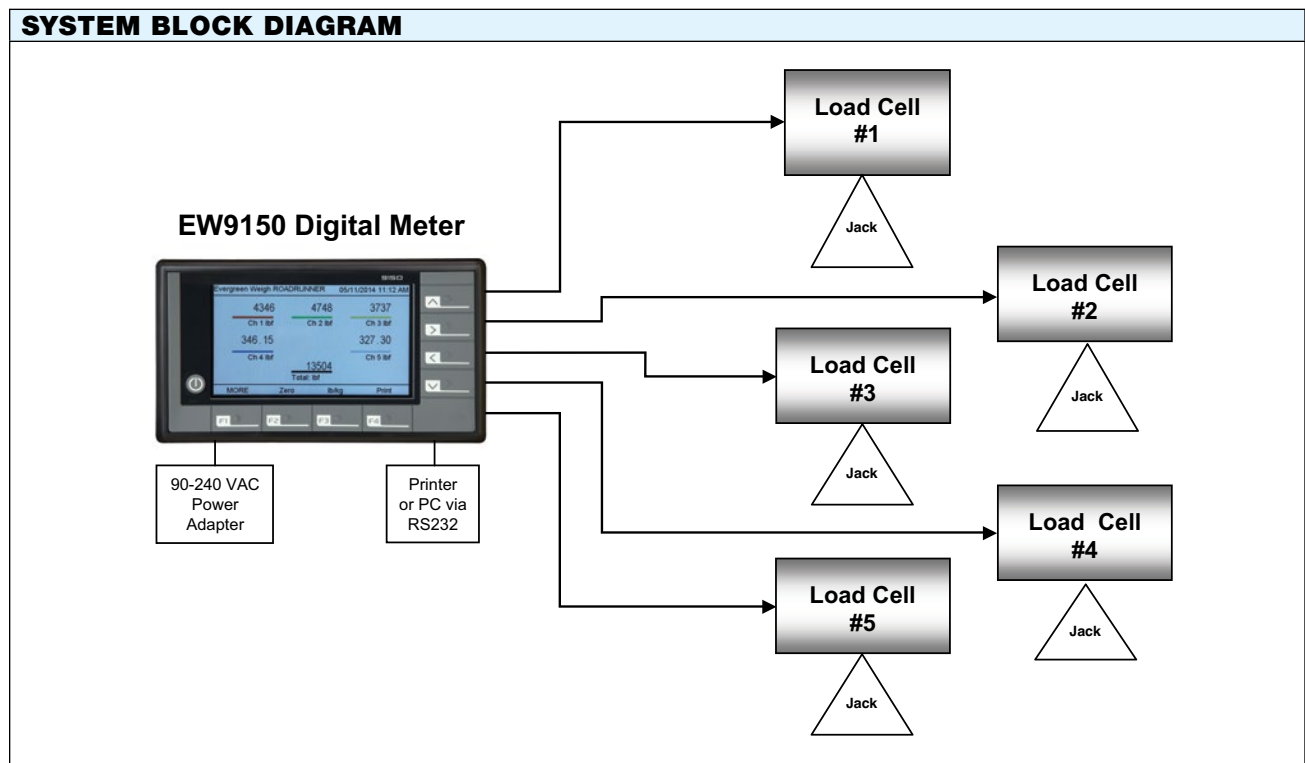
- Aircraft weighing
- Helicopters weighing
- Center of gravity measurement

DESCRIPTION

The Road Runner Jack Point Weighing System is perfect for weighing light to heavy airplanes or helicopters. The EW9150 digital indicator features a graphic color screen with step-by-step operations. Gravity corrections are applied based on customer site parameters of latitude and elevation.



SYSTEM BLOCK DIAGRAM



Evergreen Weigh Aircraft Weighing System with EW9150 Meter

SPECIFICATIONS		
PARAMETER	DESCRIPTION	
SYSTEM		
Accuracy	+0.1% of applied load or +0.02% of channel capacity, whichever is greater	
Capacity	10,500 to 400,000 lb	
Display resolution	1, 2, or 5 lb; 0.5, 1, or 2 kg	
Number of weighing channels	3 to 5 channels, color coded	
Weight display	Total weight, individual channel weights, in pounds or kilogram	
Weighing functions	System zeroing	
	Automatic zero tracking	
	G-factor compensation (by latitude and elevation)	
METER		
Display	4.3", graphic color TFT display	
Communication	RS232 serial interface to PC and printer	
Power	90–240 VAC, 50/60 Hz	
Environmental conditions	Operating temperature	14°F to 120°F, -10°C to 50°C
	Humidity	Up to 95% relative humidity (non-condensing)
Enclosure dimensions and weight	Load cells and accessories carrying case	31" L x 25" W x 18" H, 55–95 lb
	Meter carrying case	10.5" L x 10" W x 5" D, 5 lb
KIT CONTENT		
Load cells (1 to 5), color-coded cables, power adaptor and cord, load cells adaptors accessories kit, EW9150 meter, rugged carrying case.		

KIT CONFIGURATION ¹						
PARAMETER	MODEL					
	JP5000-3	JP5000-4	JP15000-3	JP15000-4	JP25000-3	JP50000-3
No. of load cells	3	4	3	4	3	3
Cell capacity (lb)	5,000		15,000		25,000	50,000
System capacity (lb)	15,000	20,000	45,000	60,000	75,000	150,000
	JP50000-4	JP100000-3	JP100000-4	JP6000	JP5500	JP200000
No. of load cells	4	3	4	5	3	1
Cell capacity (lb)	50,000	100,000		3 x 5,000 2 x 500	2 x 5,000 1 x 500	200,000
System capacity (lb)	200,000	300,000	400,000	16,000	10,500	200,000

Note

¹ Other configurations available. Contact us for more information.



Disclaimer

ALL PRODUCTS, PRODUCT SPECIFICATIONS AND DATA ARE SUBJECT TO CHANGE WITHOUT NOTICE.

Vishay Precision Group, Inc., its affiliates, agents, and employees, and all persons acting on its or their behalf (collectively, "VPG"), disclaim any and all liability for any errors, inaccuracies or incompleteness contained herein or in any other disclosure relating to any product.

The product specifications do not expand or otherwise modify VPG's terms and conditions of purchase, including but not limited to, the warranty expressed therein.

VPG makes no warranty, representation or guarantee other than as set forth in the terms and conditions of purchase. **To the maximum extent permitted by applicable law, VPG disclaims (i) any and all liability arising out of the application or use of any product, (ii) any and all liability, including without limitation special, consequential or incidental damages, and (iii) any and all implied warranties, including warranties of fitness for particular purpose, non-infringement and merchantability.**

Information provided in datasheets and/or specifications may vary from actual results in different applications and performance may vary over time. Statements regarding the suitability of products for certain types of applications are based on VPG's knowledge of typical requirements that are often placed on VPG products. It is the customer's responsibility to validate that a particular product with the properties described in the product specification is suitable for use in a particular application. You should ensure you have the current version of the relevant information by contacting VPG prior to performing installation or use of the product, such as on our website at vpgsensors.com.

No license, express, implied, or otherwise, to any intellectual property rights is granted by this document, or by any conduct of VPG.

The products shown herein are not designed for use in life-saving or life-sustaining applications unless otherwise expressly indicated. Customers using or selling VPG products not expressly indicated for use in such applications do so entirely at their own risk and agree to fully indemnify VPG for any damages arising or resulting from such use or sale. Please contact authorized VPG personnel to obtain written terms and conditions regarding products designed for such applications.

Product names and markings noted herein may be trademarks of their respective owners.

Copyright Vishay Precision Group, Inc., 2014. All rights reserved.