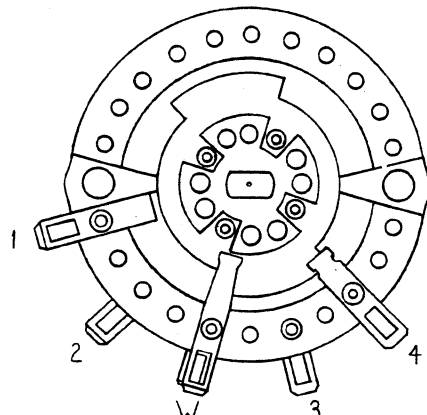


NOTES: (UNLESS OTHERWISE SPECIFIED)

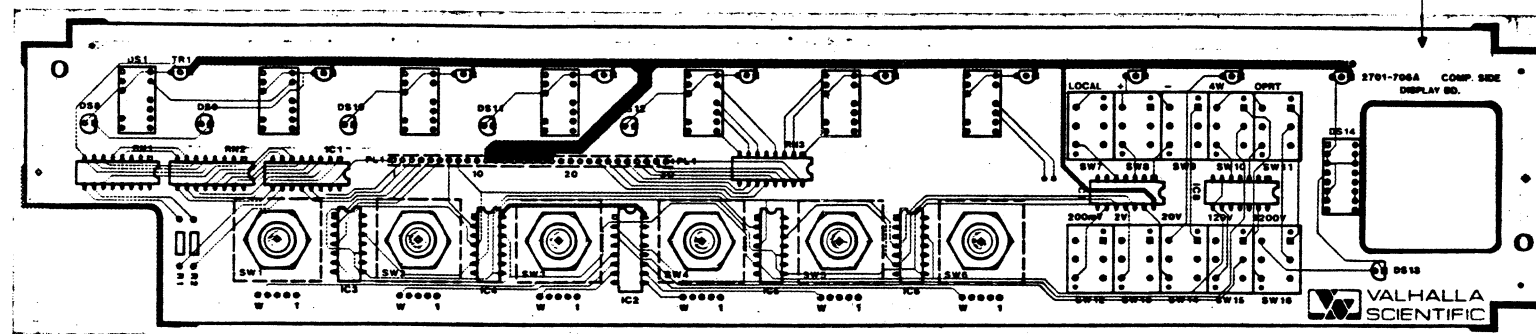
① FOR PARTS LIST SEE 2701-606

REAR VIEW OF SWITCHES  
SW1 - SW6

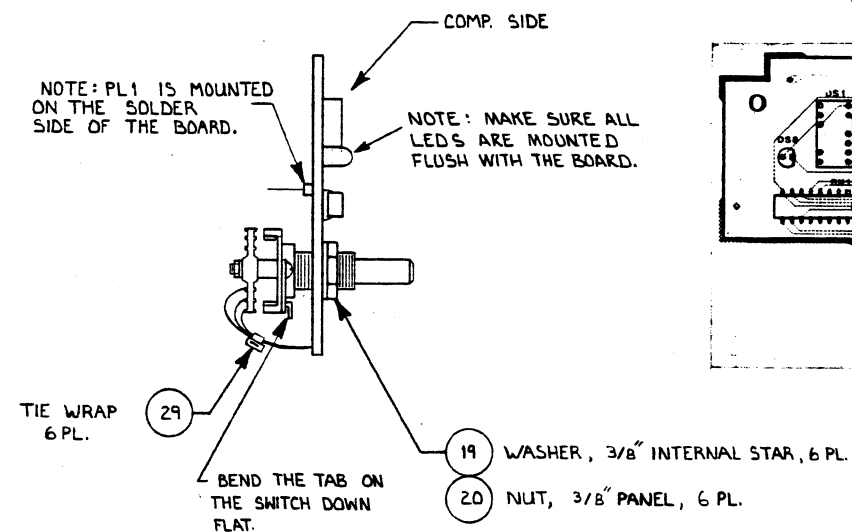


WIRING INSTRUCTION		
FROM	TO	
TAB #	PAD #	COLOR
W	W	GRN
1	1	YEL
2	2	BRN
3	3	ORN
4	4	RED

WIRE TABS OF EACH SWITCH  
TO CORRESPONDING PADS ON THE BOARD.

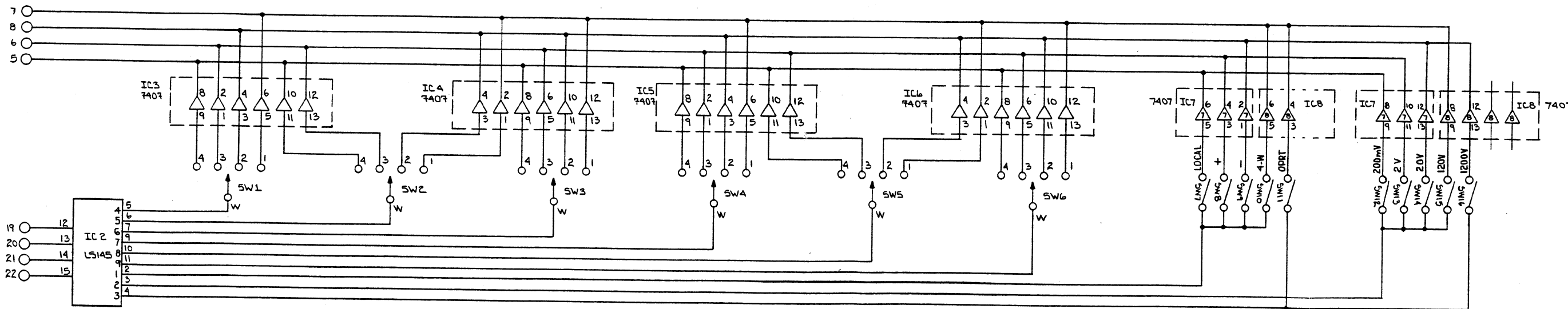
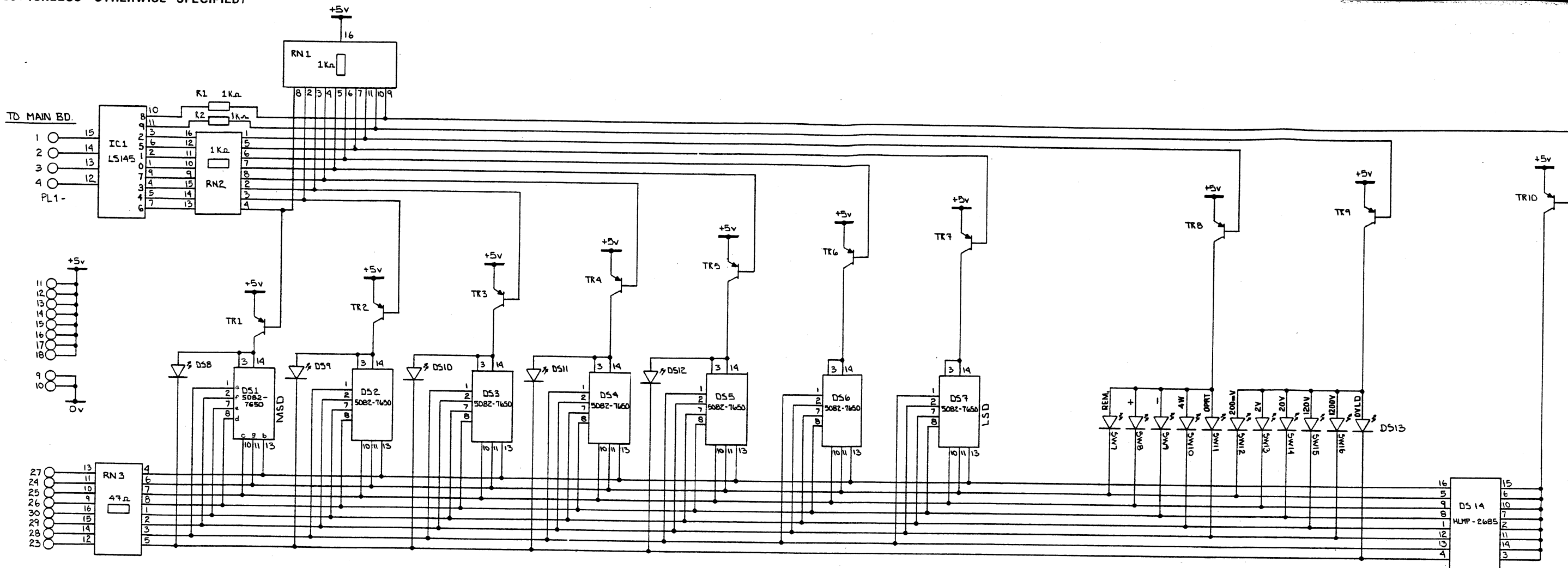


HAND SOLDER SW7 - SW16 AND  
AVOID CONTACT WITH SOLVENTS.



				TOLERANCES	MATERIAL	 Valhalla Scientific Inc. SAN DIEGO, CA
				X = ± .30' .XX = ± .03 .XXX = ± .010		
				BREAK ALL SHARP CORNERS AND EDGES, MACH SURFACES	FINISH	2701 DISPLAY BOARD
DASH NO	QTY REQD	NEXT ASSEMBLY	USED ON	64		SCALE 1:1
						CODE IDENT 53504
						SIZE D
						DRAWING NO 2701-606
						REV C

NOTES: (UNLESS OTHERWISE SPECIFIED)



- NOTES:  
 1. DS8-DS13 ARE ALL 5082-4655.  
 2. TR1-TR10 ARE ALL MP5D54.

POWER TABLE

IC#	0v	+5v
IC1,2	8	16
IC3-8	7	14

FIRST USED	NOT USED	LAST USED	TOLERANCES	MATERIAL
DS1	—	DS14	X° = ± 30'	~
IC1	—	IC8	.XX = ± .03	~
R1	—	R2	.XXX = ± .010	~
RN1	—	RN3	BREAK ALL SHARP CORNERS AND EDGES, MACH SURFACES	FINISH
SW1	—	SW6	64	~
TR1	—	TR10		

**Valhalla Scientific Inc.**  
SAN DIEGO, CA

**2701C DISPLAY BD. SCHEMATIC**

SCALE: ~ CODE IDENT: 53504 SIZE: D DRAWING NO: 2701-076 REV: B

SHEET 1 OF 1

4

3

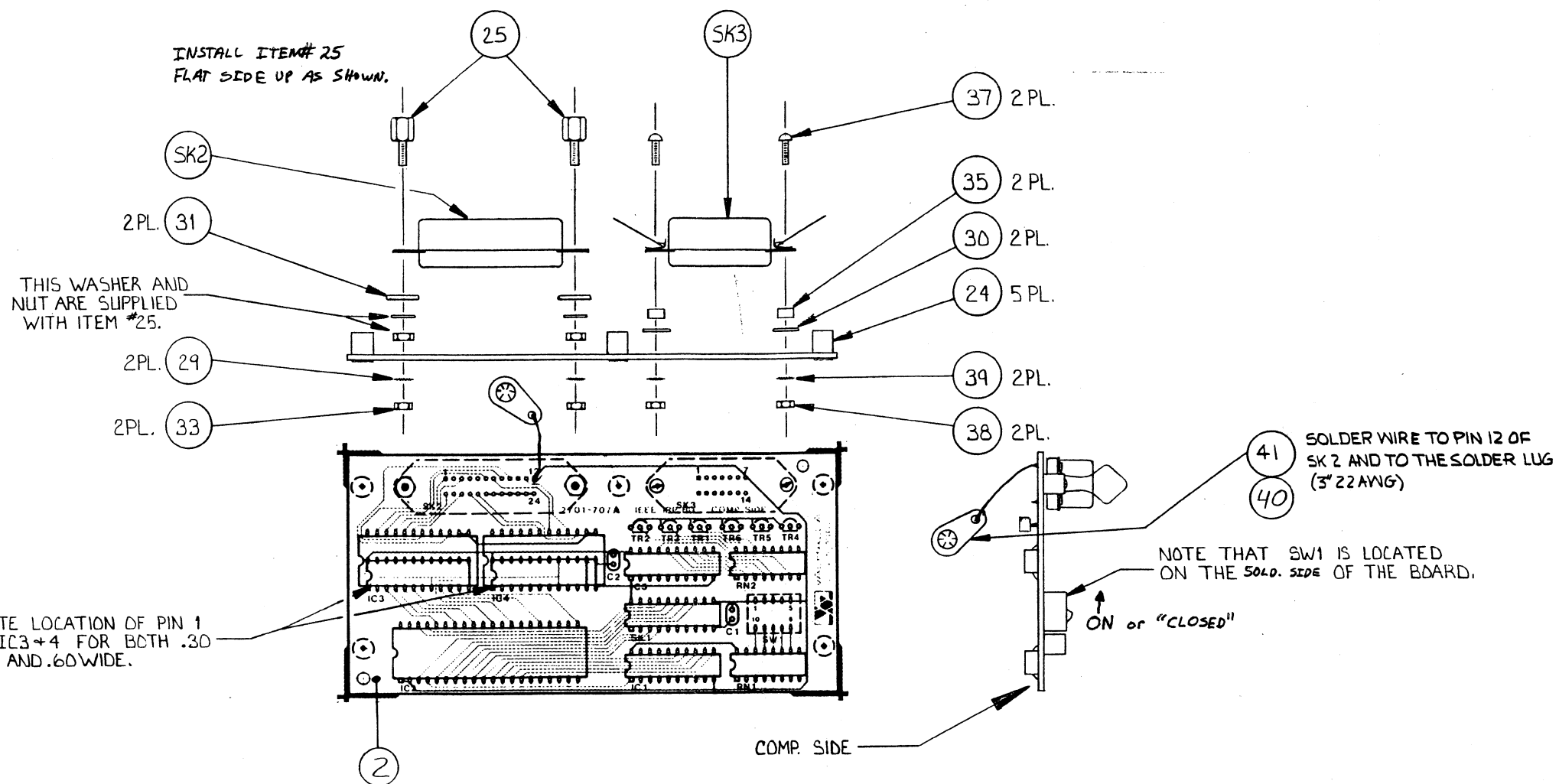
2

1

FOR PARTS LIST SEE 2701-607

D

D



C

C

B

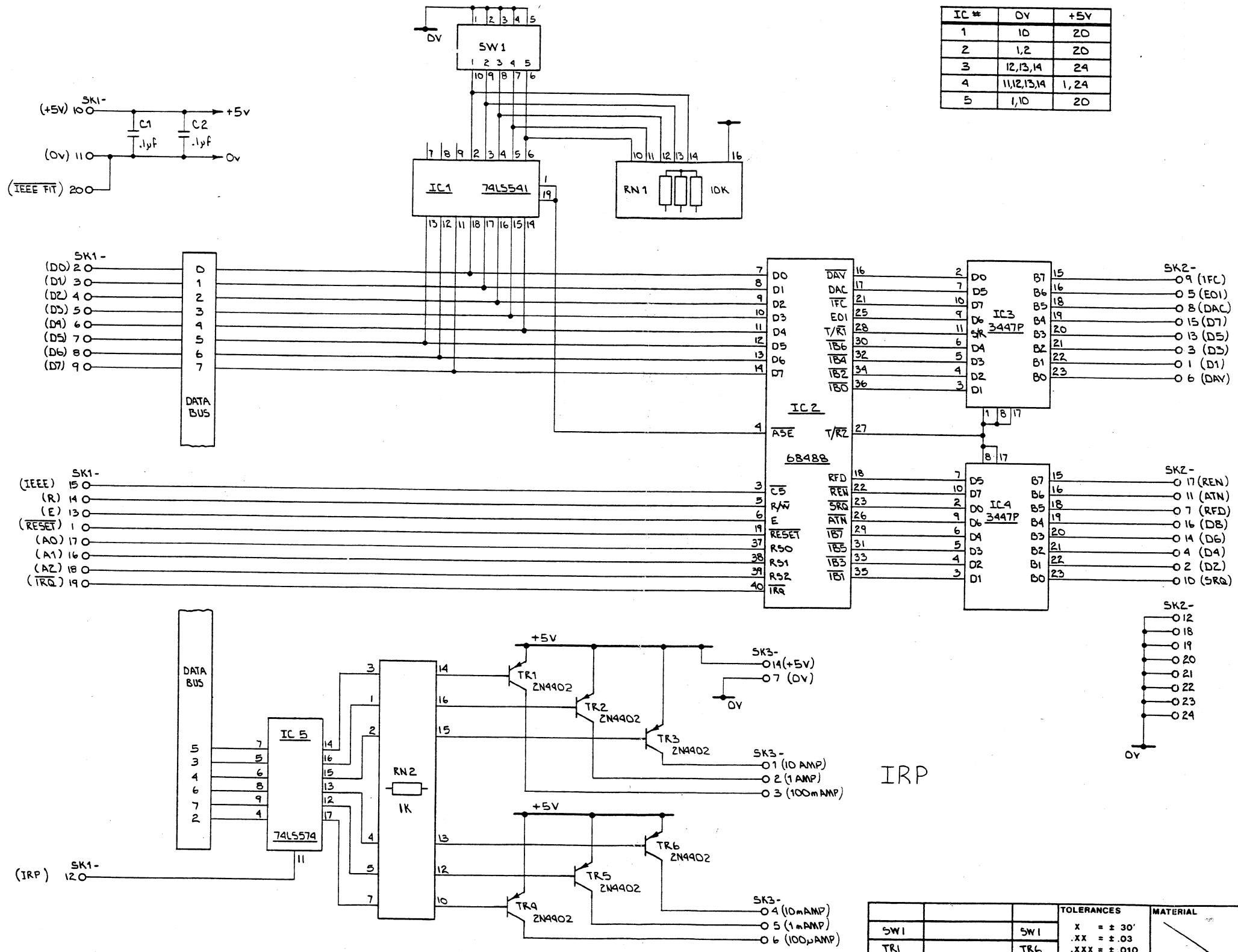
B

A

A

				<b>TOLERANCES</b> X = ± .30' .XX = ± .03 .XXX = ± .010		<b>MATERIAL</b> 		 <b>Valhalla Scientific Inc.</b> SAN DIEGO, CA	
				<b>BREAK ALL SHARP CORNERS AND EDGES. MACH SURFACES</b> 64 ✓		<b>FINISH</b> 			
<b>DASH NO</b> 53504		<b>QTY REQD</b> C		<b>NEXT ASSEMBLY</b> 2701C TL-3 "IEEE/IRP ASSY DRAWING"		<b>SCALE</b> 1:1		<b>CODE IDENT</b> 2701-607	
<b>SHEET</b> 1 OF 1		<b>SIZE</b> C		<b>DRAWING NO</b> 2701-607		<b>REV</b> D			

NOTES: (UNLESS OTHERWISE SPECIFIED)




GPIO

IRP

FIRST USED		NOT USED		LAST USED		TOLERANCES	MATERIAL	FINISH	
SW1		SW1		SW1		X = ± .30'		B4	
TR1		TR6		TR6		.XX = ± .03			
SK1		SK3		SK3		.XXX = ± .010			
RN1		RN2		RN2		BREAK ALL SHARP CORNERS AND EDGES, MACH SURFACES			
IC1		IC5		IC5					
C1		C2		C2					

		<b>Valhalla Scientific Inc.</b> SAN DIEGO, CA	
2701C IEEE/IRP SCHEMATIC OPTION TL-3			
SCALE	CODE IDENT	SIZE	DRAWING NO
	53504	D	2701-077
SHEET 1 OF 1			REV B