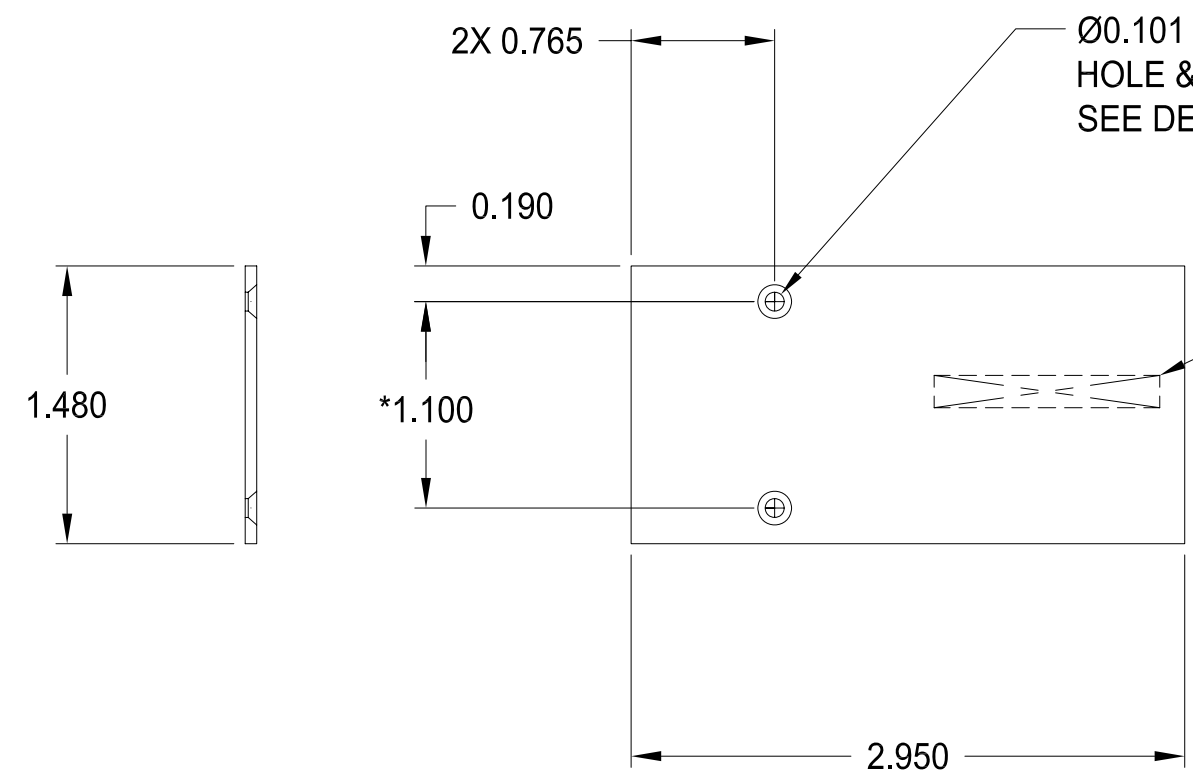


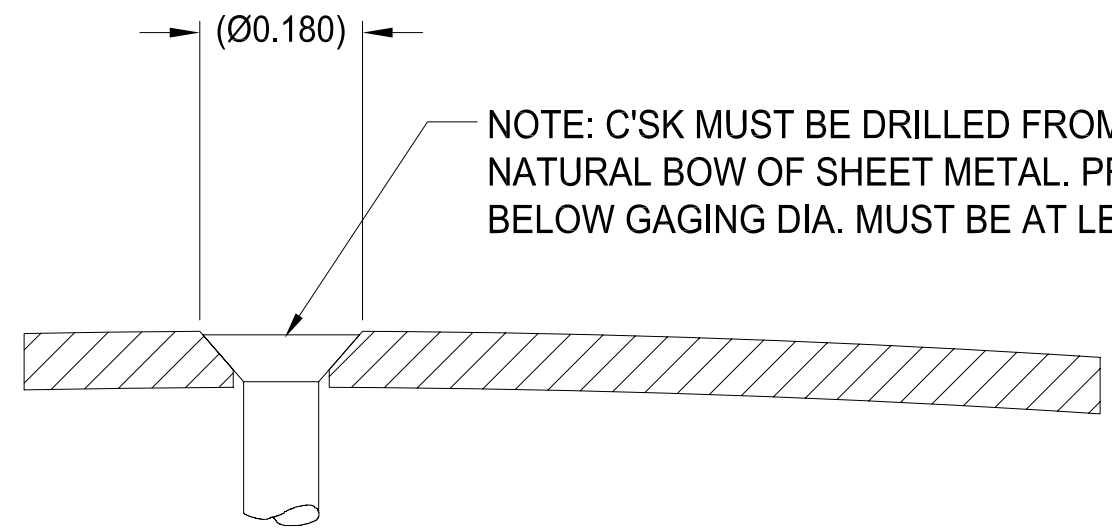
PROPRIETARY STATEMENT: ULTRAVOLT INC.
CONFIDENTIAL DRAWING

REVISIONS				
LTR	DESCRIPTION	BY	DATE	APPD
1	PROTOTYPE	SRO	7/3/02	DP
2	ADDED DETAIL "A" REVISED PER ECO # UV3094	SRO	8/14/03	D.P.
A	REVISED PER EC-00510-UV	JC	11/15/07	SRO

B



SEE NOTE 3
FAR SIDE



DETAIL 'A'

A

- NOTES:
- 1- MATERIAL: 0.062 THK ALUM ALLOY 5052-H32 PER QQ-A-250/8.
 - 2- FINISH: BLACK ANODIZE PER MIL-A-8625, TYPE II, CLASS 2.
 - 3- MARK PART NUMBER AND REVISION. STAMP OR USE A NON-CONDUCTIVE INDELIBLE INK, (FREE OF CARBON) CONTRASTING COLOR, OR STAMP 0.09 - 0.125 HIGH CHARACTERS LOCATE APPROXIMATELY AS SHOWN, FAR SIDE. ie. XX-XXX_revX
 - 4- REMOVE ALL BURRS AND SHARP EDGES.
 - 5- DIMENSIONS WITH ASTERISK (*) TOLERANCE ARE ±0.005

UNLESS OTHERWISE SPECIFIED DIMENSION ARE IN INCHES TOLERANCES ARE:		CUSTOMER	
2 PL DEC ± .02	FRACT ± 1/64	DRAWN	SRO
3 PL DEC ± .010	ANGLES ± 2°	DATE	7/3/02
		CHKD	D.S.
		8/26/02	
		MFG	N/A
		MFG ENGR	D. PARANT
		8/26/02	
		PROCESS	N/A
		QA	TONY CHLIEK
		9/3/02	
		CHIEF ENG	J.M.
		9/3/02	
		CFI:	HS-026_revA.dwg

ULTRAVOLT, INC.
1800 OCEAN AVE. FRNT, RONKONKOMA, N.Y. 11779
1-631-471-4444

HEAT SINK PLATE
"AA" SERIES

B PART NUMBER: HS-026 REV A

SCALE NONE DO NOT SCALE THIS DRAWING SHEET 1 OF 1