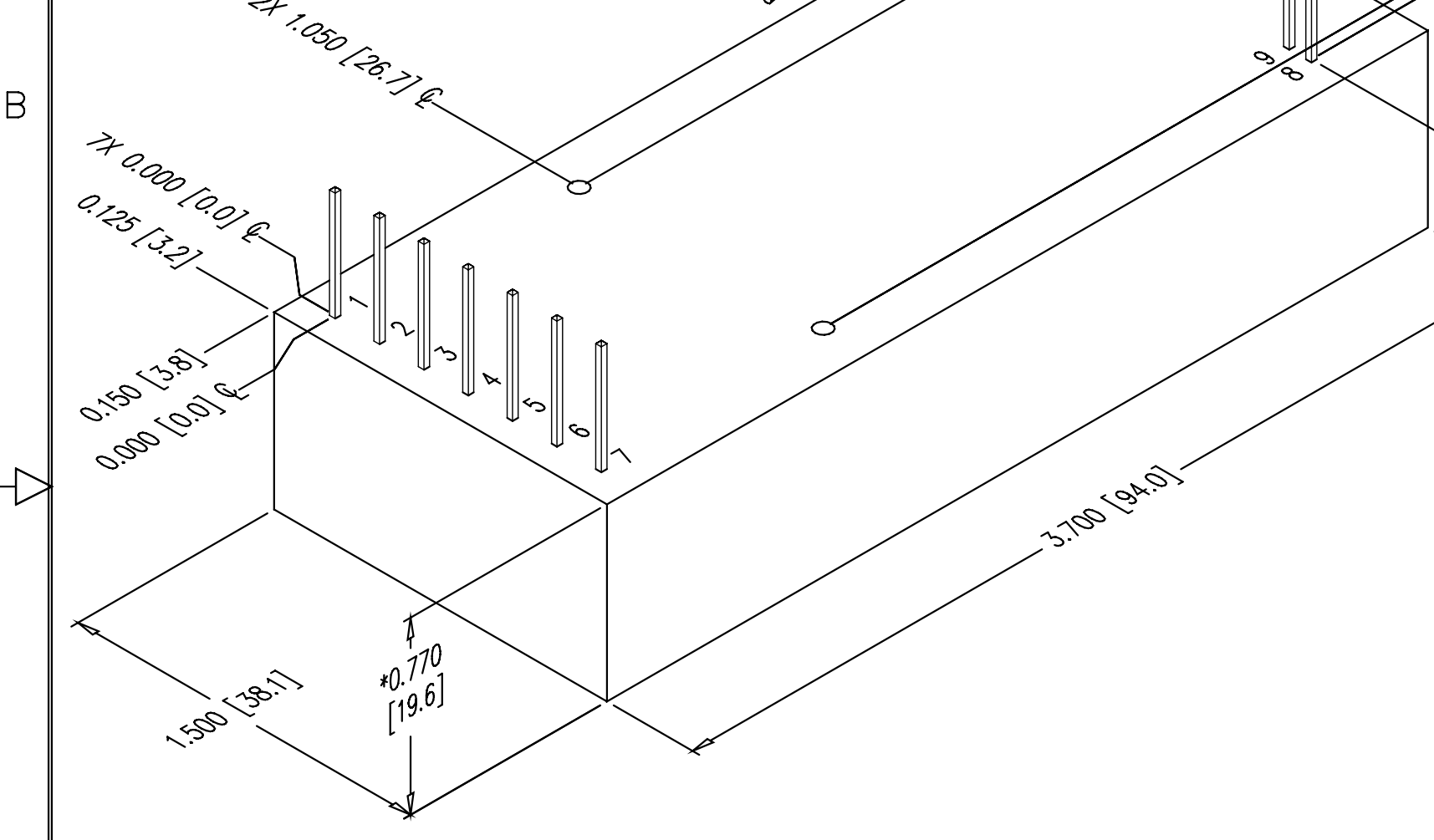


PROPRIETARY STATEMENT: ULTRAVOLT INC.
CONFIDENTIAL DRAWING

B PART NUMBER: OL-037 REV B SH 1

REVISIONS				
LTR	DESCRIPTION	BY	DATE	APPD
A	NEW RELEASE	SRO	9/29/04	DP
B	REVISED PER ECO 3376	SRO	6/20/05	CP



- NOTES:
- 1- PINS:
 - A- MATERIAL: GOLD PLATED 0.025 [0.64] SQ.
 - B- THE CENTER OF THE PINS AND MOUNTING HOLES ARE LOCATED FROM THE CENTER OF PIN 1.
 - C- PINS 1 THRU 7 SPACING 0.200 [5.08] ON CENTER, HEIGHT FROM COVER 0.280 [7.11] MIN.
 - D- PINS 8, 9 SPACING 0.100 [2.54] ON CENTER, HEIGHT FROM COVER 0.280 [7.11] MIN.
 - 2- FLYING LEAD:
 - A- 10KV WHITE ϕ 0.187 [ϕ 4.8] MAX. APPROX. 18.00 [457.2] LONG.
 - SHOULDER MATERIAL: FR4, FILLED WITH EPOXY.
 - SHOULDER SIZE: OD 0.500 [12.70] X ID 0.380 [9.52] X 0.400 [10.16] HEIGHT FROM COVER.
 - 3- MOUNTING:
 - A- 2-56X0.30 DP UNC-2B THD 2 PLACES.
 - B- THREADED POST MAY NOT BE FLUSH TO COVER.
 - 4- CONSTRUCTION:
 - EPOXY FILLED DAP BOX CERTIFIED TO ASTM-D-5948.
 - 5- TOLERANCE:
 - A- OVERALL +/-0.050 [1.27]
 - B- PIN TO PIN +/-0.015 [0.38]
 - C- MOUNTING HOLE LOCATION +/- 0.025 [0.64]
 - *6- 20 & 30 WATT VERSIONS ARE AN ADDITIONAL 0.062 [1.57] IN HEIGHT.
 - *7- -M EQUIPPED UNITS ARE AN ADDITIONAL 0.030 [0.76] IN HEIGHT.

A

A

UNLESS OTHERWISE SPECIFIED DIMENSION ARE IN INCHES TOLERANCES ARE: 2 PL DEC ± .02 FRACT ± 1/64 3 PL DEC ± .010 ANGLES ± 2°			CUSTOMER		ULTRAVOLT, INC. 1800 OCEAN AVE. FRNT, RONKONKOMA, N.Y. 11779 1-631-471-4444		
HOLE DIA TOLERANCES			DRAWN	S. Orban		DATE	9/29/04
.0135 THRU .125 +.004			CHKD	G. McLaren	10/12/04		
.126 THRU .250 +.005			MFG	N/A			
.251 THRU .500 +.006			MFG ENGR	D. Burkard	10/13/04		
.501 THRU .750 +.008			PROCESS	N/A			
.751 THRU 1.000 +.010			QA	Tony Chliek	10/13/04		
1.001 THRU 2.000 +.012			CHIEF ENG	J. Morrison	10/20/04		
DASH NUMBER	NEXT ASSY	USED ON	CFN: OL-037_revB_A-C-Z33.dwg	PART NUMBER: OL-037			REV B
APPLICATION			SCALE NONE	DO NOT SCALE THIS DRAWING		SHEET 1 OF 1	

2

1