

0.00" 0.25" 0.50" 0.75" 1.00" 1.25" 1.50" 1.75" 2.00"

PROPRIETARY STATEMENT: ULTRAVOLT INC.  
CONFIDENTIAL DRAWING

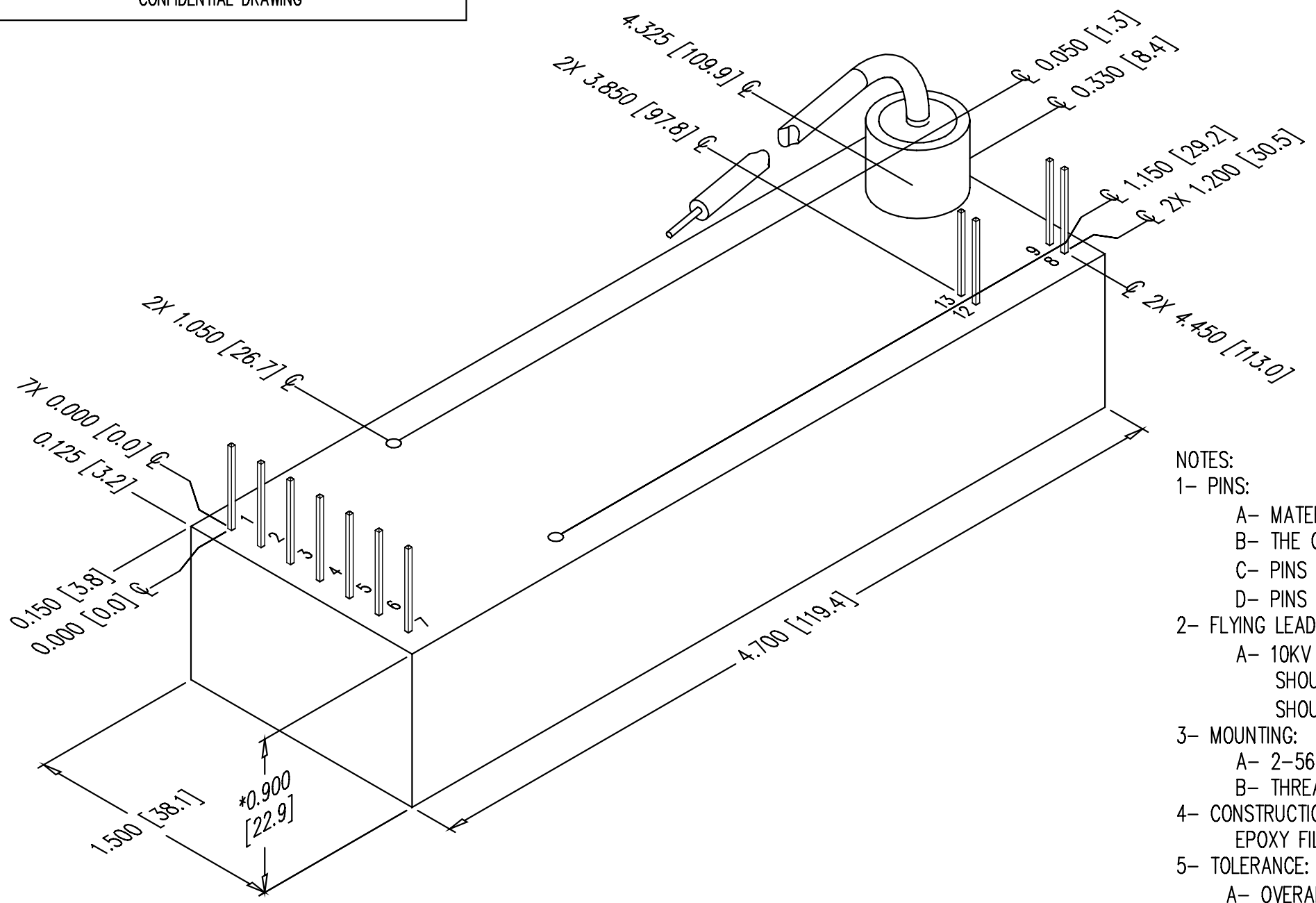
2

B PART NUMBER: OL-039 REV B SH 1

REVISIONS				
LTR	DESCRIPTION	BY	DATE	APPD
A	NEW RELEASE	SRO	9/24/04	J.M.
B	REVISED PER ECO UV3376	SRO	6/20/05	CP

B

A



NOTES:

1- PINS:  
 A- MATERIAL: GOLD PLATED 0.025 [0.64] SQ.  
 B- THE CENTER OF THE PINS AND MOUNTING HOLES ARE LOCATED FROM THE CENTER OF PIN 1.  
 C- PINS 1 THRU 7 SPACING 0.200 [5.08] ON CENTER, HEIGHT FROM COVER 0.280 [7.11] MIN.  
 D- PINS 8, 9 SPACING 0.100 [2.54] ON CENTER, HEIGHT FROM COVER 0.280 [7.11] MIN.

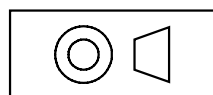
2- FLYING LEAD:  
 A- 10KV WHITE  $\phi$ 0.187 [ $\phi$ 4.8] MAX. APPROX. 18.00 [457.2] LONG.  
 SHOULDER MATERIAL: FR4, FILLED WITH EPOXY.  
 SHOULDER SIZE: OD 0.500 [12.70] X ID 0.380 [9.52] X 0.400 [10.16] HEIGHT FROM COVER.

3- MOUNTING:  
 A- 2-56X0.30 DP UNC-2B THD 2 PLACES.  
 B- THREADED POST MAY NOT BE FLUSH TO COVER.

4- CONSTRUCTION:  
 EPOXY FILLED DAP BOX CERTIFIED TO ASTM-D-5948

5- TOLERANCE:  
 A- OVERALL  $\pm$ 0.050 [1.27]  
 B- PIN TO PIN  $\pm$ 0.015 [0.38]  
 C- MOUNTING HOLE LOCATION  $\pm$  0.025 [0.64]

\*6- 20 & 30 WATT VERSIONS ARE AN ADDITIONAL 0.062 [1.57] IN HEIGHT.  
 \*7- -M EQUIPPED UNITS ARE AN ADDITIONAL 0.030 [0.76] IN HEIGHT.



UNLESS OTHERWISE SPECIFIED DIMENSION ARE IN INCHES TOLERANCES ARE:			CUSTOMER			ULTRAVOLT, INC.		
2 PL DEC $\pm$ .02	FRACT $\pm$ 1/64	ANGLES $\pm$ 2'	DRAWN	S. Orban	DATE	1800 OCEAN AVE. FRNT, RONKONKOMA, N.Y. 11779 1-631-471-4444		
3 PL DEC $\pm$ .010			CHKD	G. McLaren	10/12/04			
HOLE DIA	TOLERANCES	MFG	N/A			OUTLINE F Z33 OPTION SERIES		
.0135 THRU .125	+ .004 - .004	MFG ENGR	D. Burkard	10/13/04				
.126 THRU .250	+ .005 - .005	PROCESS	N/A			PART NUMBER: OL-039 REV B		
.251 THRU .500	+ .008 - .008	QA	Tony Chliek	10/13/04				
.501 THRU .750	+ .008 - .008	CHIEF ENG	J. Morrison	10/20/04		SCALE NONE DO NOT SCALE THIS DRAWING SHEET 1 OF 1		
.751 THRU 1.000	+ .010 - .010	CFN: OL-039_revB_F-Z33.dwg						
1.001 THRU 2.000	+ .012 - .012							
DASH NUMBER	NEXT ASSY	USED ON	APPLICATION					

2

1