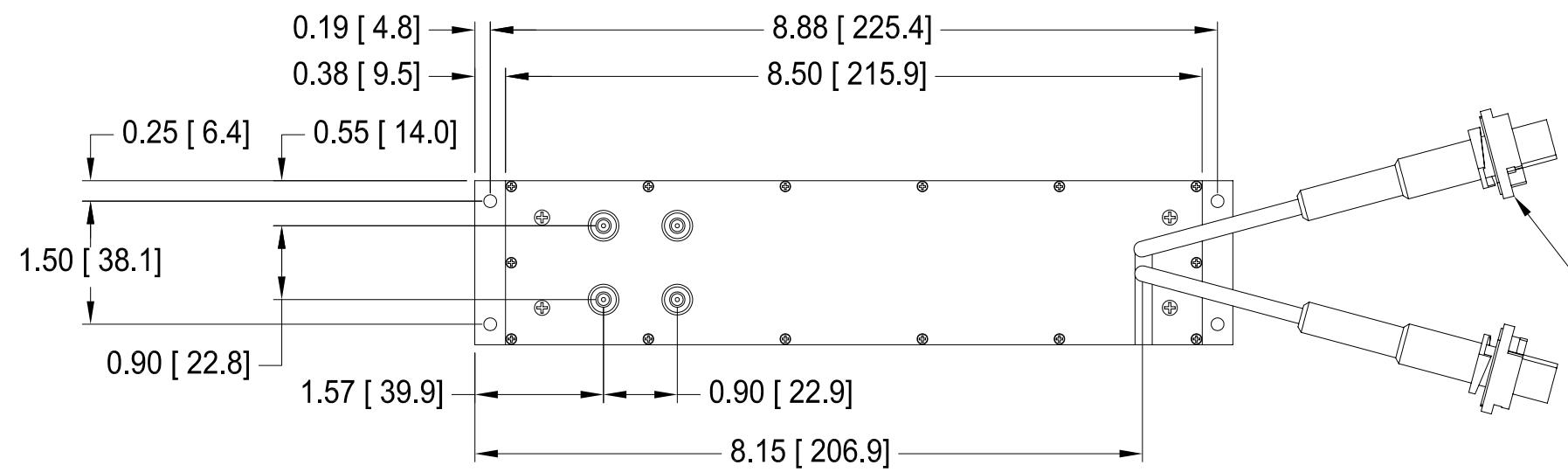


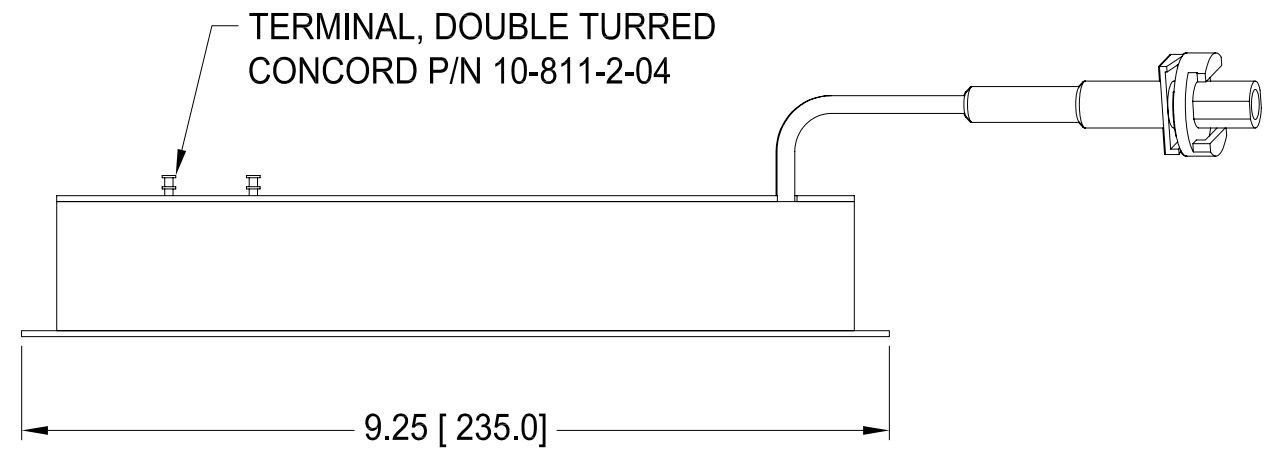
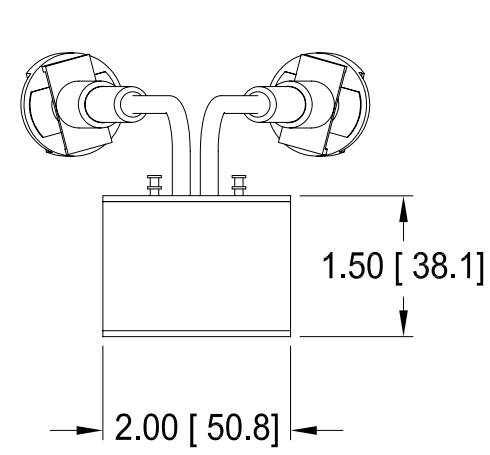
PROPRIETARY STATEMENT: ULTRAVOLT INC.
CONFIDENTIAL DRAWING

B PART NUMBER: OL-044 REV A SH 1

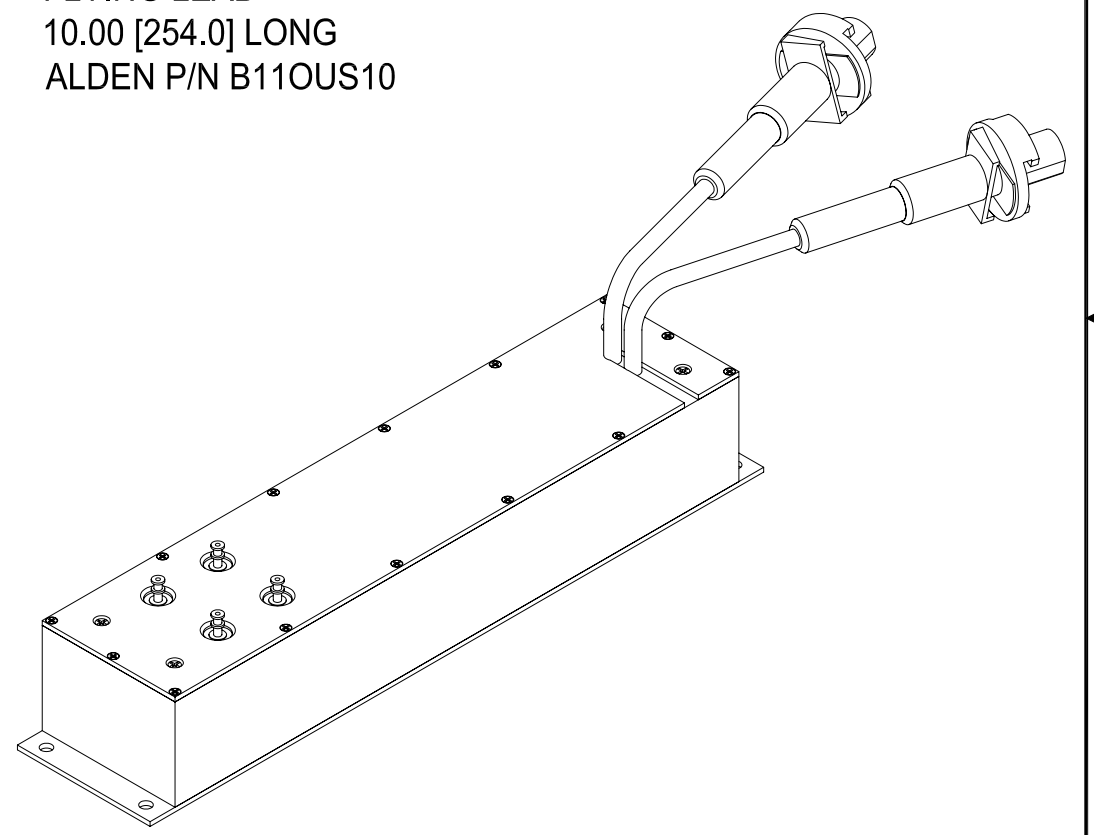
REVISIONS				
LTR	DESCRIPTION	BY	DATE	APPD
1	ENGINEERING PRELIMINARY RELEASE	SRO	11/19/04	
A	RELEASED TO DOC-CTRL	SRO	5/16/06	SRO



FLYING LEAD
10.00 [254.0] LONG
ALDEN P/N B110US10



TERMINAL, DOUBLE TURRED
CONCORD P/N 10-811-2-04



- NOTES:
 1- MOUNTING:
 FOUR HOLES Ø0.156 [Ø3.96] THROUGH A 0.062 [1.57] THK PLATE.
 2- CONSTRUCTION:
 ALUMINUM BOX CHEM FILM PER MIL-C-5541 CLASS 1A.
 3- TOLERANCE:
 A- OVERALL +/-0.050 [1.27]
 B- PIN TO PIN +/-0.015 [0.38]

UNLESS OTHERWISE SPECIFIED DIMENSION ARE IN INCHES TOLERANCES ARE:		CUSTOMER	
2 PL DEC ± .02	FRACT ± 1/64	DRAWN	SRO
3 PL DEC ± .010	ANGLES ± 2°	CHKD	J. CAMPISI
		MFG	N/A
		MFG ENGR	J. GOULDING
		PROCESS	J. TANNER
		QA	J. MORRISON
		CHIEF ENG	P. MATCH
		CFN: OL-044_revA_40TF-ACV&DCD.dwg	

ULTRAVOLT, INC.
 1800 OCEAN AVE. FRNT, RONKONKOMA, N.Y. 11779
 1-631-471-4444

OUTLINE
 40TF-ACV & DCD

PART NUMBER: **OL-044** REV **A**

SCALE NONE DO NOT SCALE THIS DRAWING SHEET 1 OF 1

DASH NUMBER	NEXT ASSY	USED ON
APPLICATION		

B

B

A

A

2

2

1