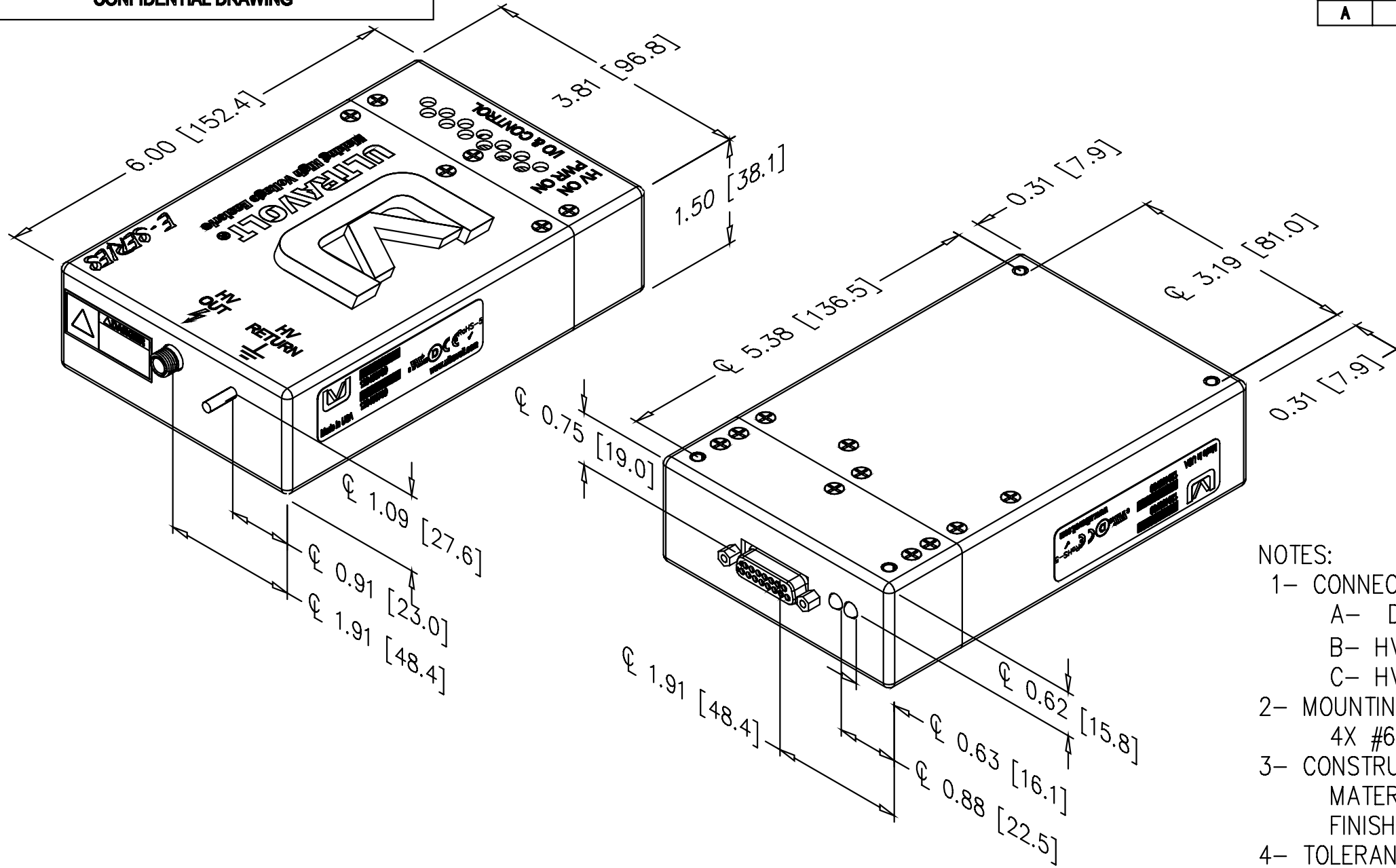


0.00"
0.25"
0.50"
0.75"
1.00"
1.25"
1.50"
1.75"
2.00"

PROPRIETARY STATEMENT: ULTRAVOLT INC.
CONFIDENTIAL DRAWING

B PART NUMBER: OL-055 REV A SH 1

REVISIONS				
LTR	DESCRIPTION	BY	DATE	APPD
A	RELEASED TO DOC-CTRL	A.S.	3/10/10	PM



- NOTES:
- 1- CONNECTIONS:
 - A- D-SUB 15 PIN FEMALE
 - B- HV CONNECTOR, LGH 1/2 LI
 - C- HV RETURN, #6-32 X 0.437 LG THD POST
 - 2- MOUNTING:
 - 4X #6-32 X 0.230 DP THD
 - 3- CONSTRUCTION:
 - MATERIAL: ALUM ALLOY 5052-H32
 - FINISH: ANODIZE MIL-A-8625E BLUE
 - 4- TOLERANCE:
 - A- OVERALL +/-0.030 [1.27]
 - B- MOUNTING HOLE LOCATION +/-0.025 [0.64]

B

B

A

A

UNLESS OTHERWISE SPECIFIED DIMENSION ARE IN INCHES TOLERANCES ARE:		CUSTOMER	
2 PL DEC ± .02	FRACT ± 1/64	DRAWN	S Orban
3 PL DEC ± .010	ANGLES ± 2°	CHKD	D. Burkard
		DATE	4/21/10
		MFG	N/A
		MFG ENGR	G. McLaren
		PROCESS	J. Tanner
		QA	C. Crothers
		CHIEF ENG	Peter Match
		CR: OL-055_revA_E-GEN-III.dwg	

ULTRAVOLT, INC.
1800 OCEAN AVE. FRNT, RONKONKOMA, N.Y. 11779
1-631-471-4444

**OUTLINE,
E SERIES GEN III**

B PART NUMBER: **OL-055** REV **A**

SCALE NONE DO NOT SCALE THIS DRAWING SHEET 1 OF 1

DASH NUMBER	NEXT ASSY	E-SERIES USED ON
		APPLICATION

2

2

1