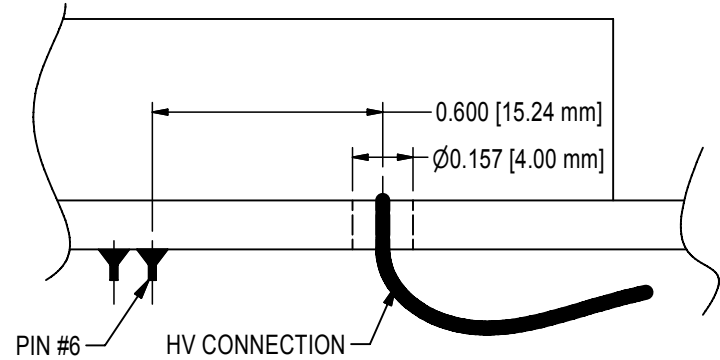
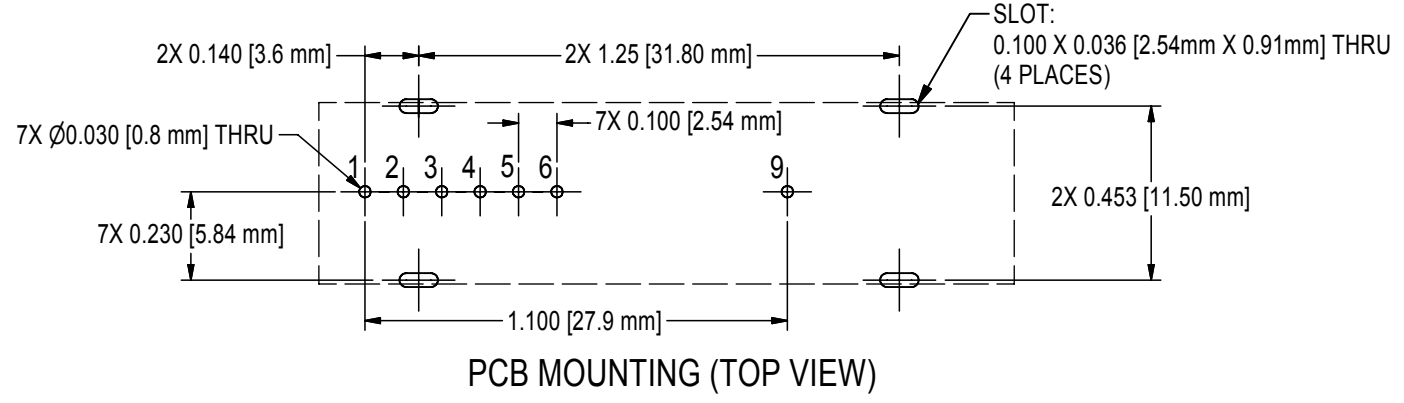
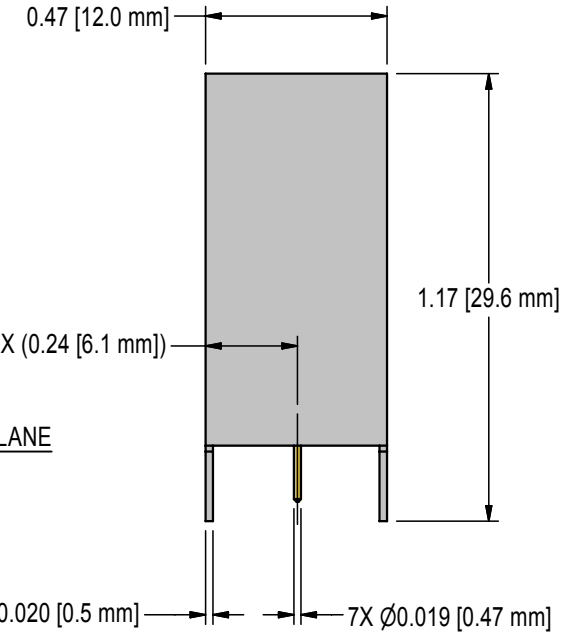
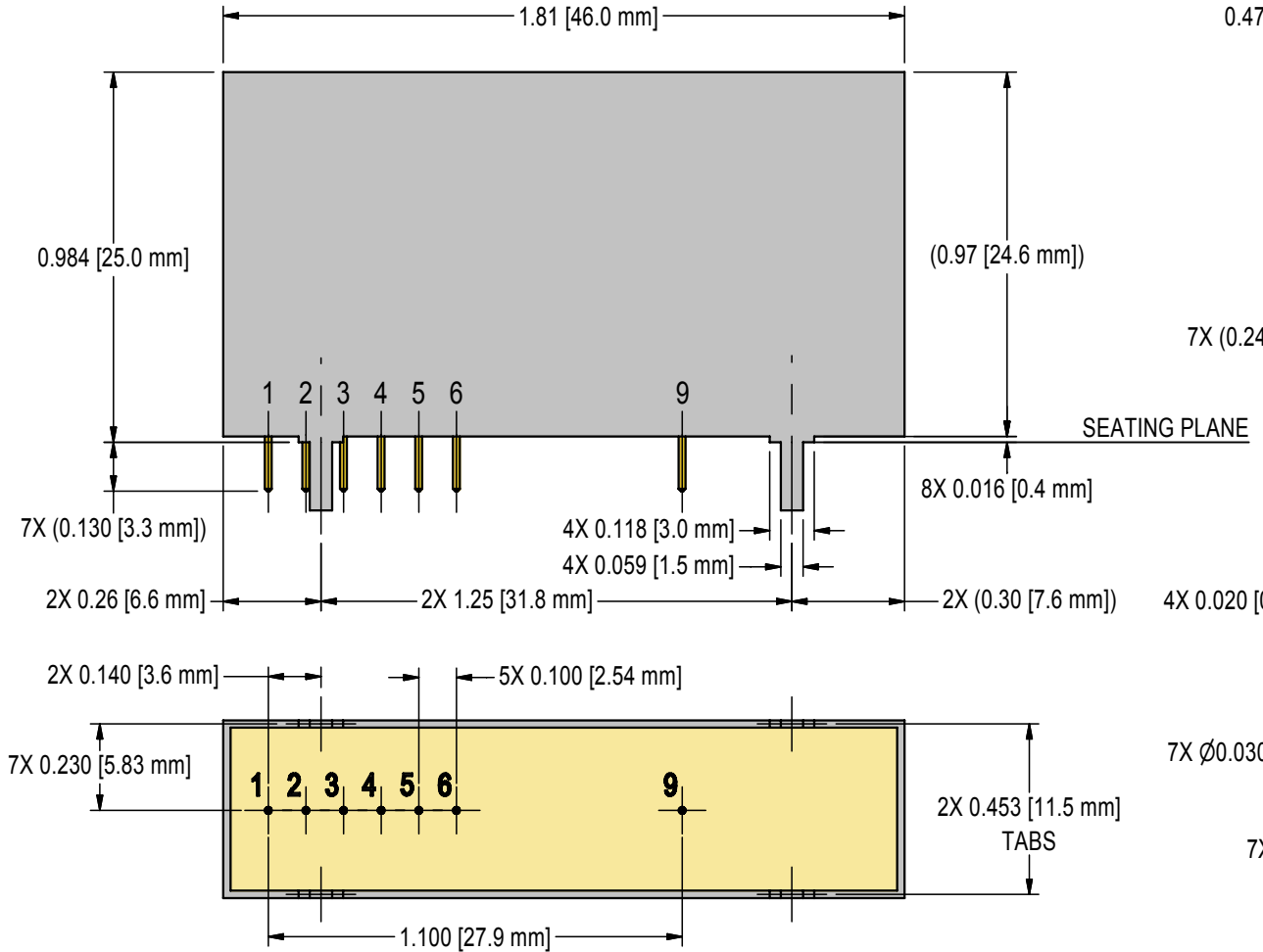


PROPRIETARY STATEMENT: ULTRAVOLT INC.
CONFIDENTIAL DRAWING

REVISIONS				
REV	DESCRIPTION	BY	DATE	APPD
A	RELEASED TO DOC-CTRL	A.S.	05/10/2012	



- NOTES:
- 1- PINS:
 - 1.1- MATERIAL: GOLD PLATED 0.019 [0.47mm] ROUND.
 - 1.2- THE CENTER OF THE PINS TABS ARE LOCATED FROM CENTER OF PIN 1.
 - 1.3- PINS 1 THRU 6 SPACING 0.100 [2.54mm] ON CENTER, HEIGHT FROM SEATING PLANE 0.118 [3.0mm] MIN.
 - 2- OPTIONAL FLYING LEAD:
 - COAXIAL CABLE (RG178), 0.079 [2.0mm] DIA., 19.685 [500mm] LONG. WIRE LENGTH TOLERANCE IS ±0.500 [12.7mm].
 - 3- CONSTRUCTION:
 - STEEL TIN PLATED, 0.020 [0.50mm] THICK.
 - INSULATION: FULLY POTTED IN AN EPOXY RESIN.
 - 4- TOLERANCES:
 - 4.1- OVERALL ±0.040 [1.01mm]
 - 4.2- PIN TO PIN ±0.015 [0.38mm]
 - 4.3- PIN TO TABS ±0.020 [0.51mm]
 - 5- RoHS:
 - UNITS ARE RoHS COMPLIANT.

UNLESS OTHERWISE SPECIFIED DIMENSION ARE IN INCHES [mm]			CUSTOMER		
TOLERANCES ARE:			DRAWN	Adrian Siu	DATE
2 PL DEC ± .02 FRACT ± 1/64			CHECKED		5/9/2012
3 PL DEC ± .010 ANGLES ± 2'			CSD		
HOLE DIA	TOLERANCES		MFG ENGR		
.0135 THRU .125	+.004 -.004		MARKETING		
.126 THRU .250	+.005 -.005		QA		
.251 THRU .500	+.006 -.006		ENG		
.501 THRU .750	+.008 -.008				
.751 THRU 1.000	+.010 -.010				
1.001 THRU 2.000	+.012 -.012				
DASH NUMBER	NEXT ASSY	USED ON	CFN: OL-077_revA_V.idw		
APPLICATION					

ULTRAVOLT, INC.
1800 OCEAN AVE. FRNT, RONKONKOMA, N.Y. 11779
1-631-471-4444

OUTLINE, V SERIES

PART NUMBER: **OL-077** REV **A**

SCALE NONE DO NOT SCALE THIS DRAWING SHEET 1 OF 1