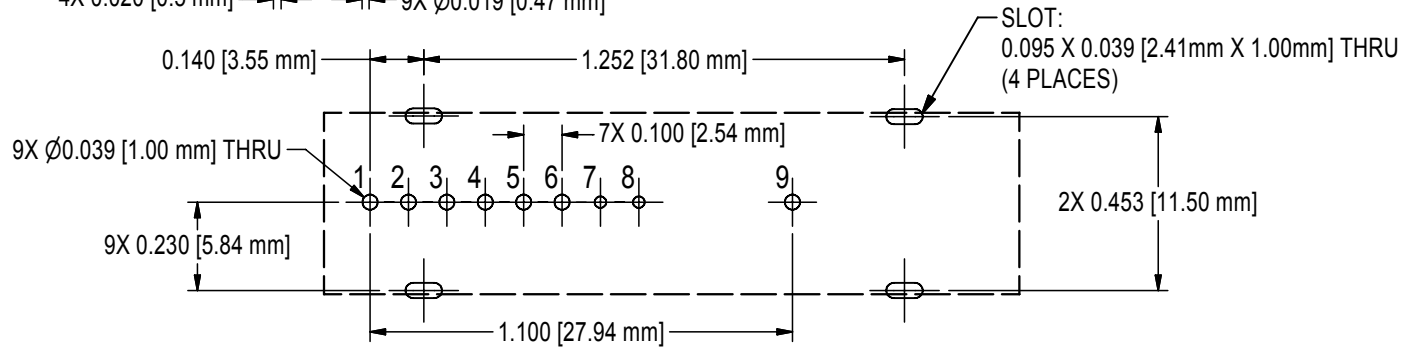
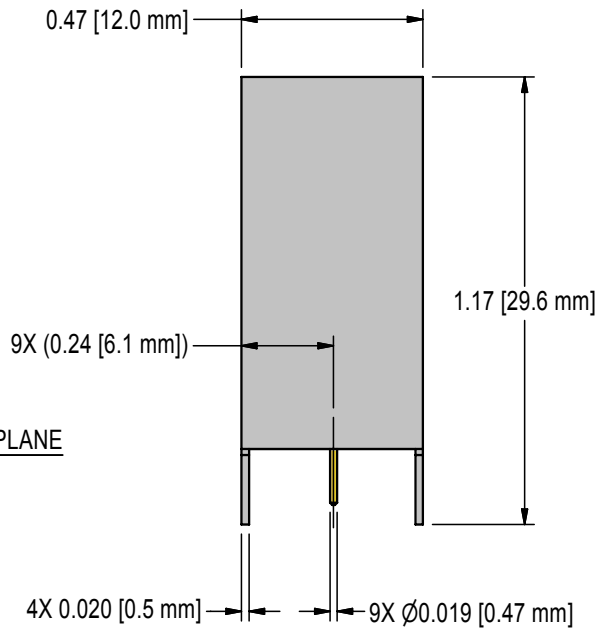
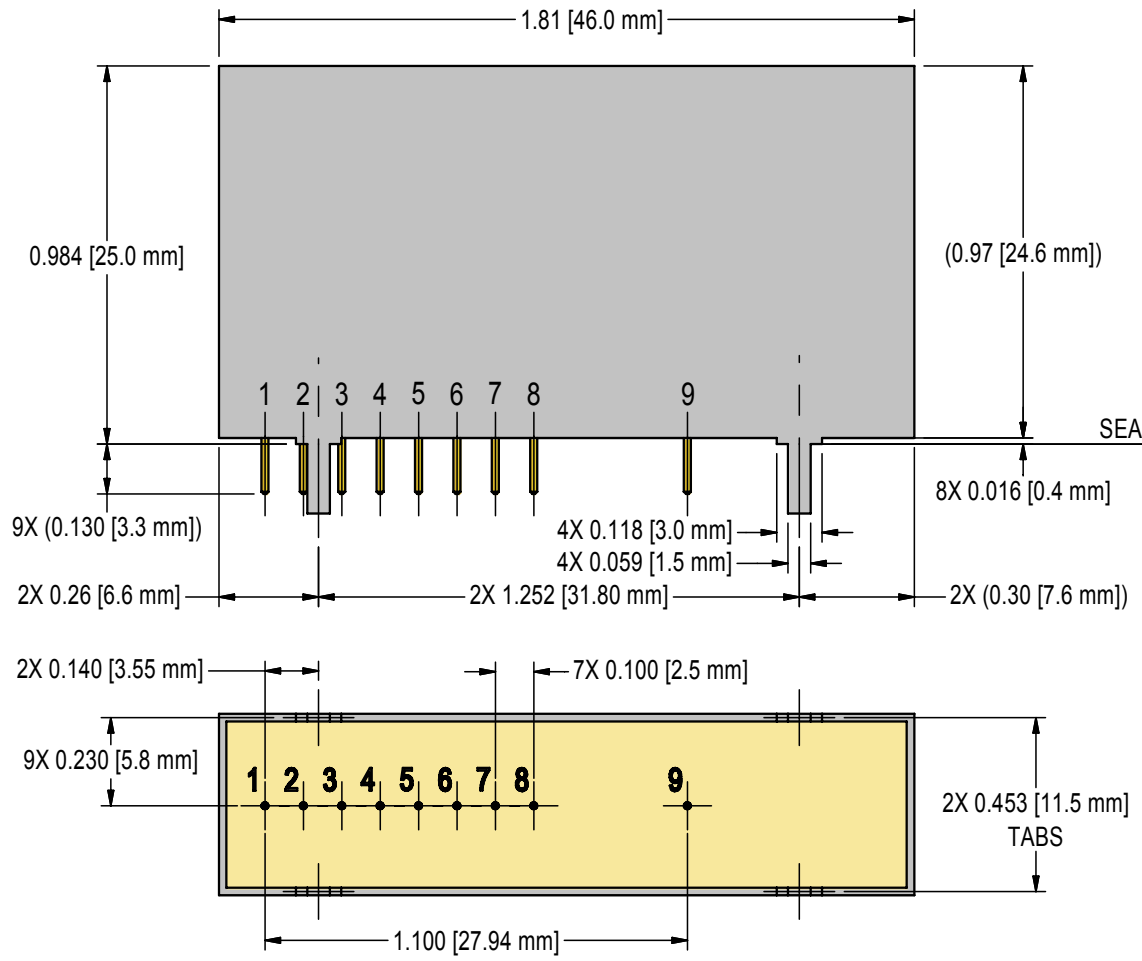


PROPRIETARY STATEMENT: ULTRAVOLT INC.
CONFIDENTIAL DRAWING

REVISIONS				
REV	DESCRIPTION	BY	DATE	APPD
A	RELEASED TO DOC-CTRL	A.S.	05/09/2012	LH



- NOTES:
- 1- PINS:
 - 1.1- MATERIAL: GOLD PLATED 0.019 [0.47mm] ROUND.
 - 1.2- THE CENTER OF THE PINS TABS ARE LOCATED FROM CENTER OF PIN 1.
 - 1.3- PINS 1 THRU 8 SPACING 0.100 [2.54mm] ON CENTER, HEIGHT FROM SEATING PLANE 0.118 [3.0mm] MIN.
 - 2- CONSTRUCTION:
 - STEEL, TIN PLATED, 0.020 [0.51mm] THICK.
 - INSULATION: FULLY POTTED IN AN EPOXY RESIN.
 - 3- TOLERANCES:
 - 4.1- OVERALL ± 0.030 [0.76mm]
 - 4.2- PIN TO PIN ± 0.015 [0.38mm]
 - 4.3- PIN TO TAB ± 0.020 [0.51mm]
 - 4.4- TAB TO TAB ± 0.010 [0.25mm]
 - 4.5- TAB FEATURES ± 0.005 [0.13mm]
 - 4- RoHS:
 - UNITS ARE RoHS COMPLIANT.

UNLESS OTHERWISE SPECIFIED DIMENSION ARE IN INCHES [mm]		TOLERANCES ARE:		CUSTOMER	
2 PL DEC $\pm .02$		FRACT $\pm 1/64$		DRAWN	Adrian Siu
3 PL DEC $\pm .010$		ANGLES $\pm 2'$		DATE	5/9/2012
HOLE DIA		TOLERANCES		CHECKED	Justin Kubicki
.0135 THRU .125		+.004 -.004		DATE	5/22/2012
.126 THRU .250		+.005 -.005		CSD	Scott Wilson
.251 THRU .500		+.006 -.006		MFG ENGR	Lloyd Hasluck
.501 THRU .750		+.008 -.008		MARKETING	Rich Bailey
.751 THRU 1.000		+.010 -.010		QA	Ralph Palotta
1.001 THRU 2.000		+.012 -.012		ENG	Brian Long
DASH NUMBER	NEXT ASSY	USED ON	CFN: OL-084_revA_V-El.idw	DATE	5/22/2012
APPLICATION			CFN: OL-084_revA_V-El.idw		

ULTRAVOLT, INC.
1800 OCEAN AVE. FRNT, RONKONKOMA, N.Y. 11779
1-631-471-4444

OUTLINE,
V SERIES, WITH "-EI" OPTION

PART NUMBER: **OL-084** REV **A**

SCALE NONE DO NOT SCALE THIS DRAWING SHEET 1 OF 1