

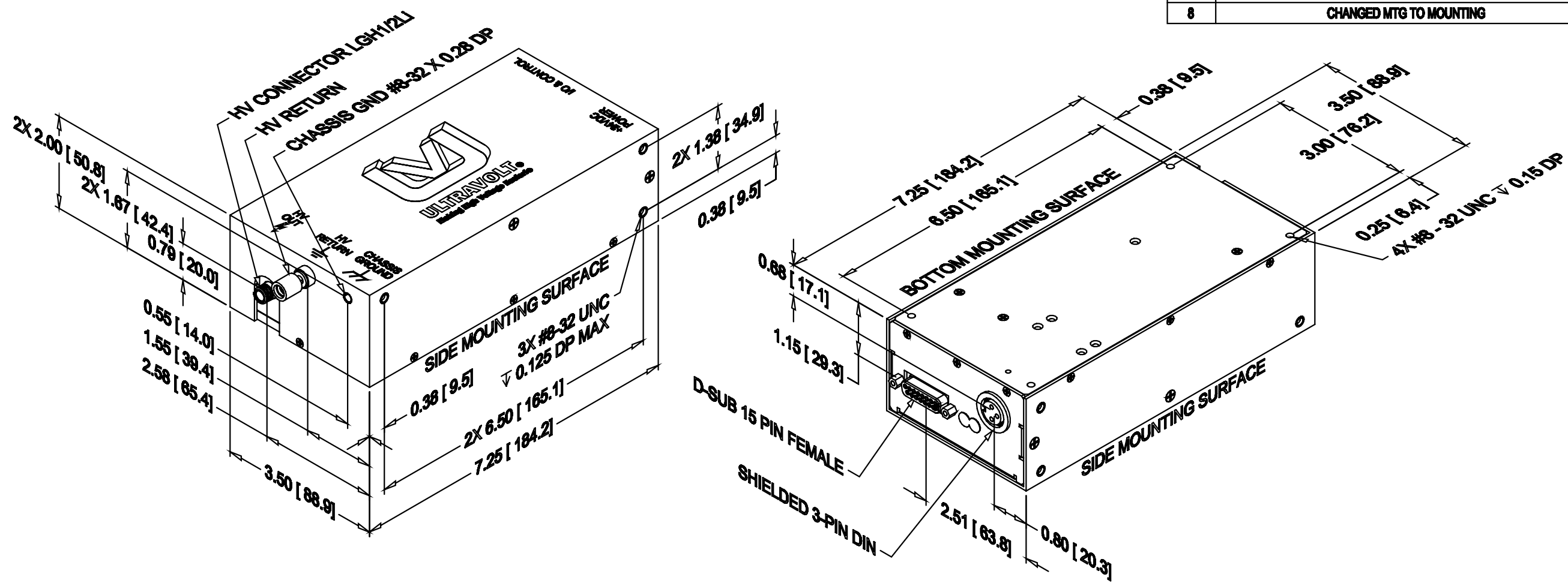
0.00"
0.25"
0.50"
0.75"
1.00"
1.25"
1.50"
1.75"
2.00"

PROPRIETARY STATEMENT: ULTRAVOLT INC.
CONFIDENTIAL DRAWING

2

B PART NUMBER: OL-530 REV 8 SH 1

REVISIONS				
LTR	DESCRIPTION	BY	DATE	APPD
1	ENGINEERING RELEASE			
2	DB15 CONN LOCATION WAS 0.422	SRO	4/4/06	
3	REVISED TITLE BLOCK	SRO	8/2/06	
4	SIZE OF UNIT WAS 8.25 LONG	SRO	7/19/07	
5	ADDED CONNECTOR PLATE	SRO	8/28/07	
6	VIEW CHANGED TO ISO VIEWS	SRO	8/28/08	
7	REMOVED P/N'S FROM CONNECTORS	SRO	8/3/08	
8	CHANGED MTG TO MOUNTING	SRO	10/29/08	



B

B

A

A

UNLESS OTHERWISE SPECIFIED DIMENSION ARE IN INCHES TOLERANCES ARE:		CUSTOMER	
2 PL DEC ± .02	FRAGT ± 1/8"	DRAWN	DATE
3 PL DEC ± .010	ANGLES ± 2°	CHKD	
HOLE DIA	TOLERANCES	MFG	
.0135 THRU .125	+ .004	MFG ENGR	
.126 THRU .250	- .004	PROCESS	
.251 THRU .500	+ .005	QA	
.501 THRU .750	- .005	CHIEF ENG	
.751 THRU 1.000	+ .008		
1.001 THRU 2.000	- .008		
DASH NUMBER	NEXT ASSY	USED ON	
APPLICATION			

ULTRAVOLT, INC.
1800 OCEAN AVE. FRNT, RONKONKOMA, N.Y. 11779
1-831-471-4444

**OUTLINE,
E-SERIES, 1KV - 15KV**

PART NUMBER: **OL-530** REV **8**

SCALE NONE DO NOT SCALE THIS DRAWING SHEET 1 OF 1

2

1