

0.00" 0.25" 0.50" 0.75" 1.00" 1.25" 1.50" 1.75" 2.00"

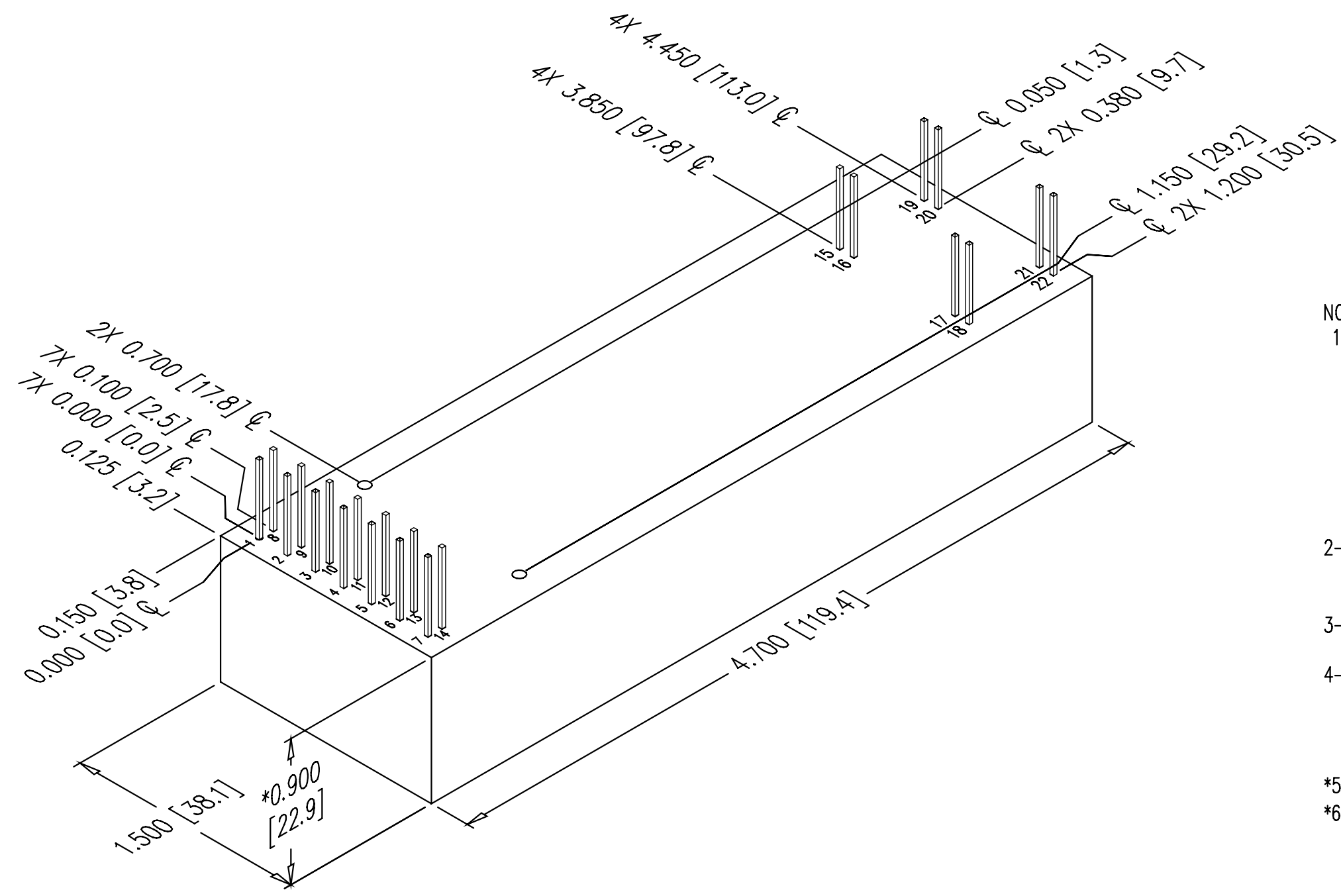
PROPRIETARY STATEMENT: ULTRAVOLT INC.  
CONFIDENTIAL DRAWING

B PART NUMBER: OL-532 REV A1 SH 1

REVISIONS				
LTR	DESCRIPTION	BY	DATE	APPD
A	RELEASED TO DOC-DTRL	SRO	7/19/06	JC
A1	REVISED PER EC-00788-UV	SRO	10/29/08	EB

B

A



NOTES:

- 1- PINS:
  - A- MATERIAL: GOLD PLATED 0.025 [0.64] SQ.
  - B- THE CENTER OF THE PINS AND MOUNTING HOLES ARE LOCATED FROM THE CENTER OF PIN 1.
  - C- PINS 1 THRU 14 SPACING 0.100 [2.54] X 0.200 [5.08] ON CENTER, HEIGHT FROM COVER 0.375 [9.5] MIN.
  - D- PINS 15, 16 AND 17, 18 AND 19, 20 AND 21, 22 SPACING 0.100 [2.54] ON CENTER, HEIGHT FROM COVER 0.375 [9.5] MIN.
- 2- MOUNTING:
  - A- 2-56 X 0.30 [7.62] DP UNC-2B THD 2 PLACES
  - B- THREADED POST MAY NOT BE FLUSH TO COVER.
- 3- CONSTRUCTION:
  - EPOXY FILLED DAP BOX CERTIFIED TO ASTM-D-5948
- 4- TOLERANCE:
  - A- OVERALL +/-0.050 [1.27]
  - B- PIN TO PIN +/-0.015 [0.38]
  - C- MOUNTING HOLE LOCATION +/- 0.025 [0.64]
- \*5- 20 & 30 WATT VERSIONS ARE AN ADDITIONAL 0.062 [1.57] IN HEIGHT.
- \*6- -M EQUIPPED UNITS ARE AN ADDITIONAL 0.030 [0.76] IN HEIGHT.

B

A

UNLESS OTHERWISE SPECIFIED DIMENSION ARE IN INCHES TOLERANCES ARE: 2 PL DEC ± .02 FRACT ± 1/64 3 PL DEC ± .010 ANGLES ± 2'			CUSTOMER	
			DRAWN	S. Orban
			DATE	7/19/06
			CHKD	J. CAMPISI
			7/24/06	
			MFG	N/A
			MFG ENGR	N/A
			PROCESS	N/A
			QA	J. MORRISON
			8/2/06	
			CHIEF ENG	P. MATCH
			8/2/06	
			CFN: OL-532_revA1_FIL-5V-3A.dwg	
DASH NUMBER	NEXT ASSY	USED ON		
APPLICATION				

**ULTRAVOLT, INC.**  
1800 OCEAN AVE. FRNT, RONKONKOMA, N.Y. 11779  
1-631-471-4444

OUTLINE  
FIL-5V-3A

PART NUMBER: OL-532 REV A1

SCALE NONE DO NOT SCALE THIS DRAWING SHEET 1 OF 1

2

1