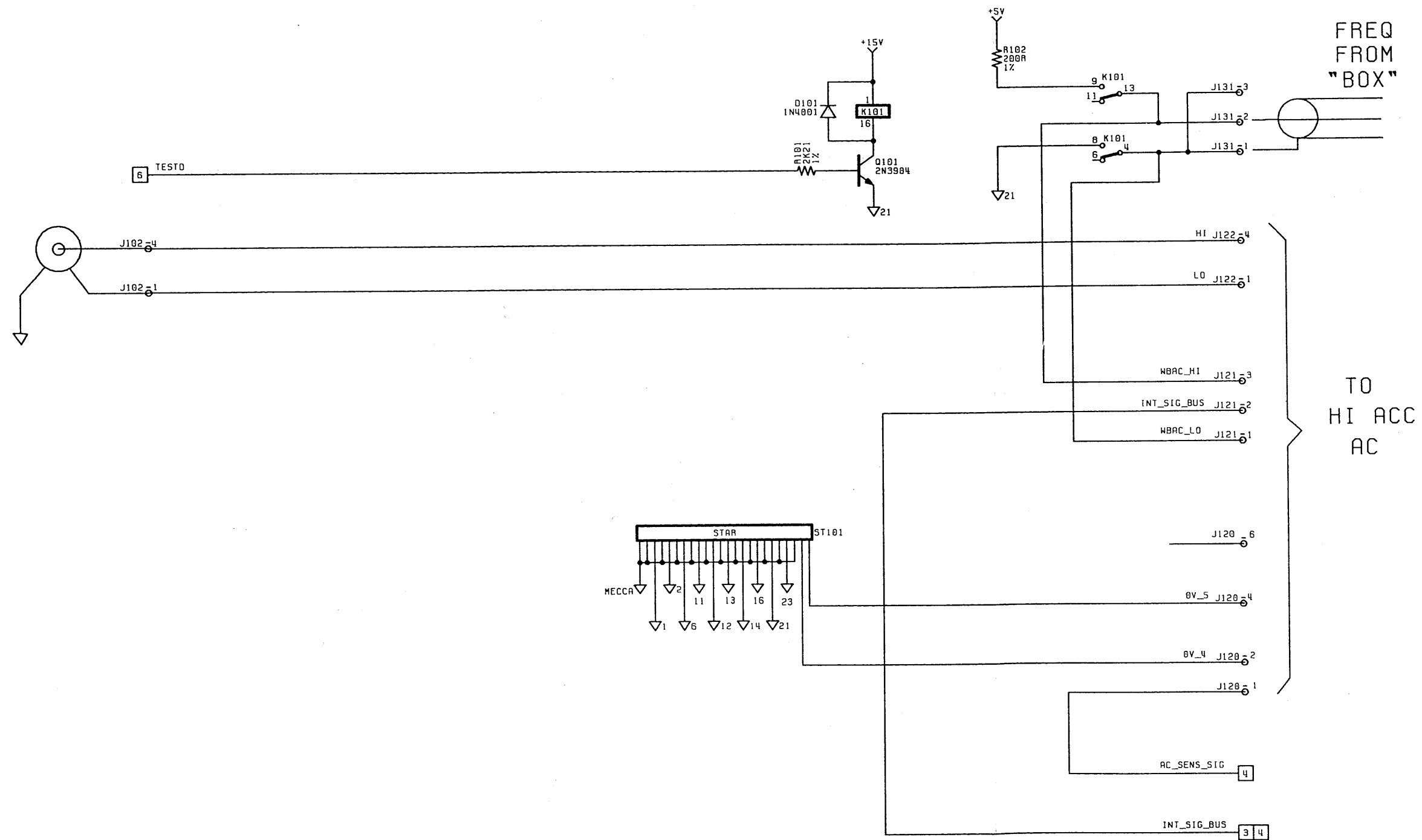


4920M  
**datron**  
 WAVETEK

© Datron Instruments 1990

**A-D ASSEMBLY**

Drawing No. DA400936 Sheet 1



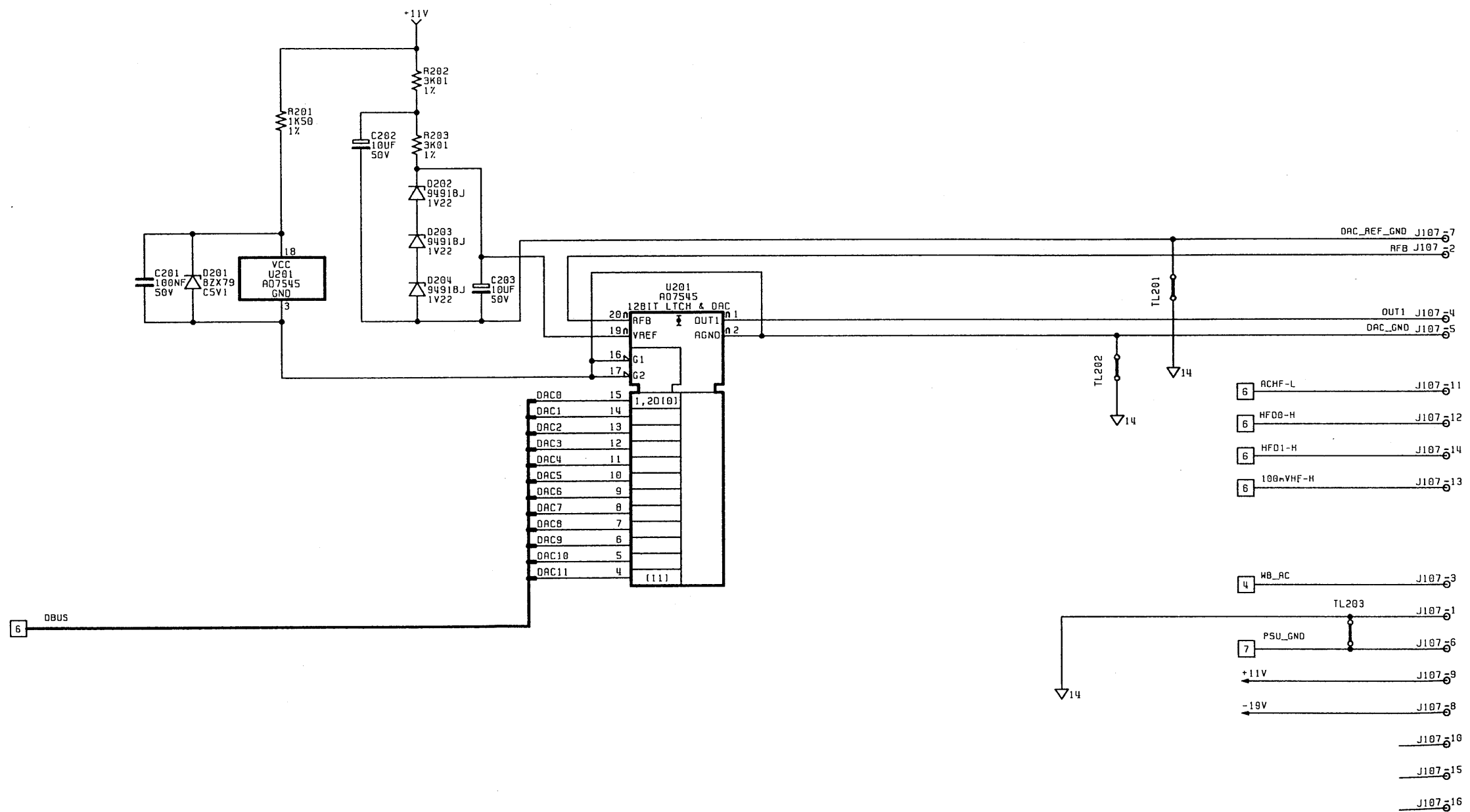
A-D ASSEMBLY  
Signal Interconnections

Drawing No. DC400936 Sheet 1 of 7



© Datron Instruments 1990

4920M

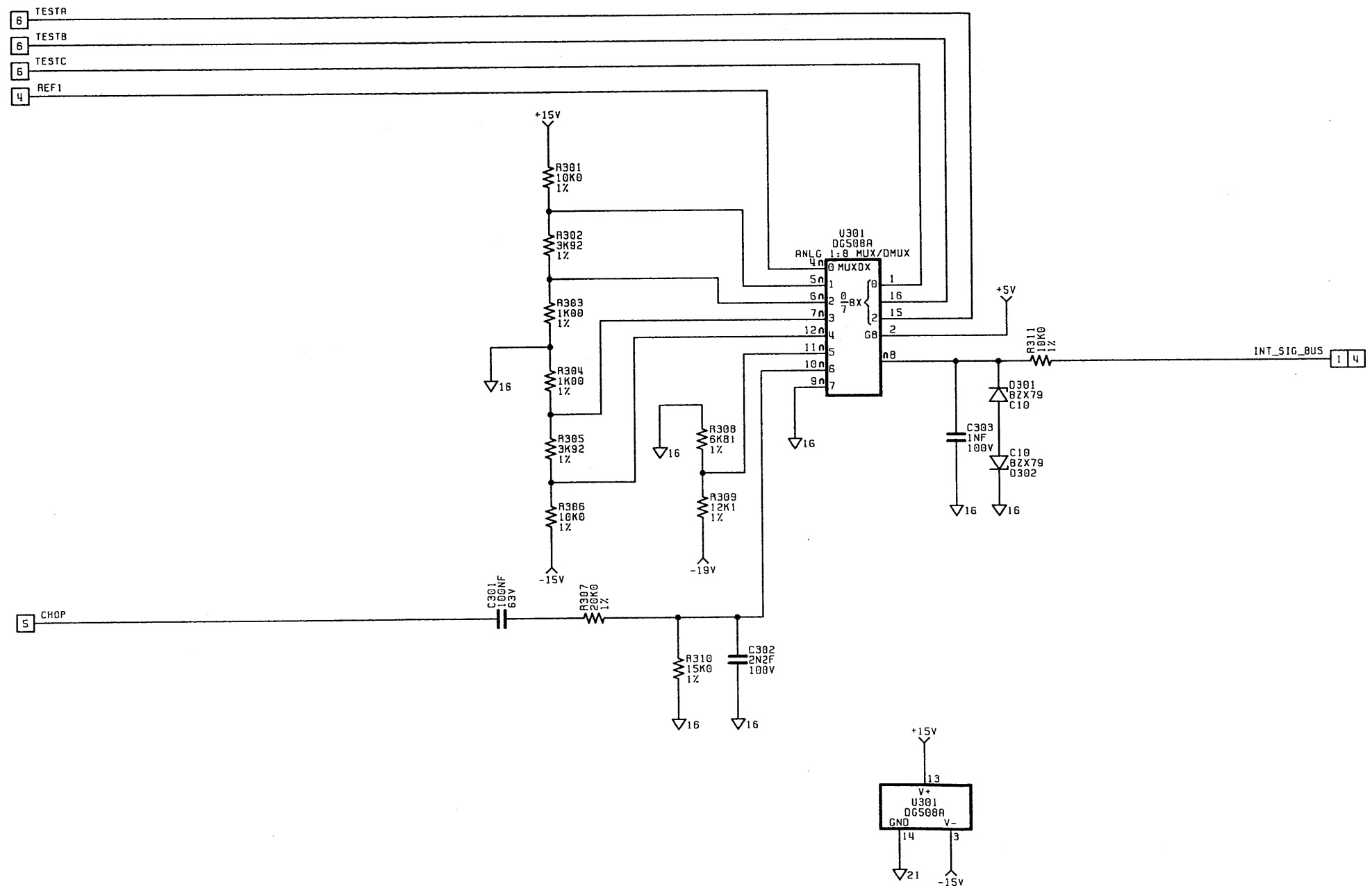


A-D ASSEMBLY  
 WB Characterization  
 Drawing No. DC400936

Sheet 2 of 7



© Datron Instruments 1990



**A-D ASSEMBLY**

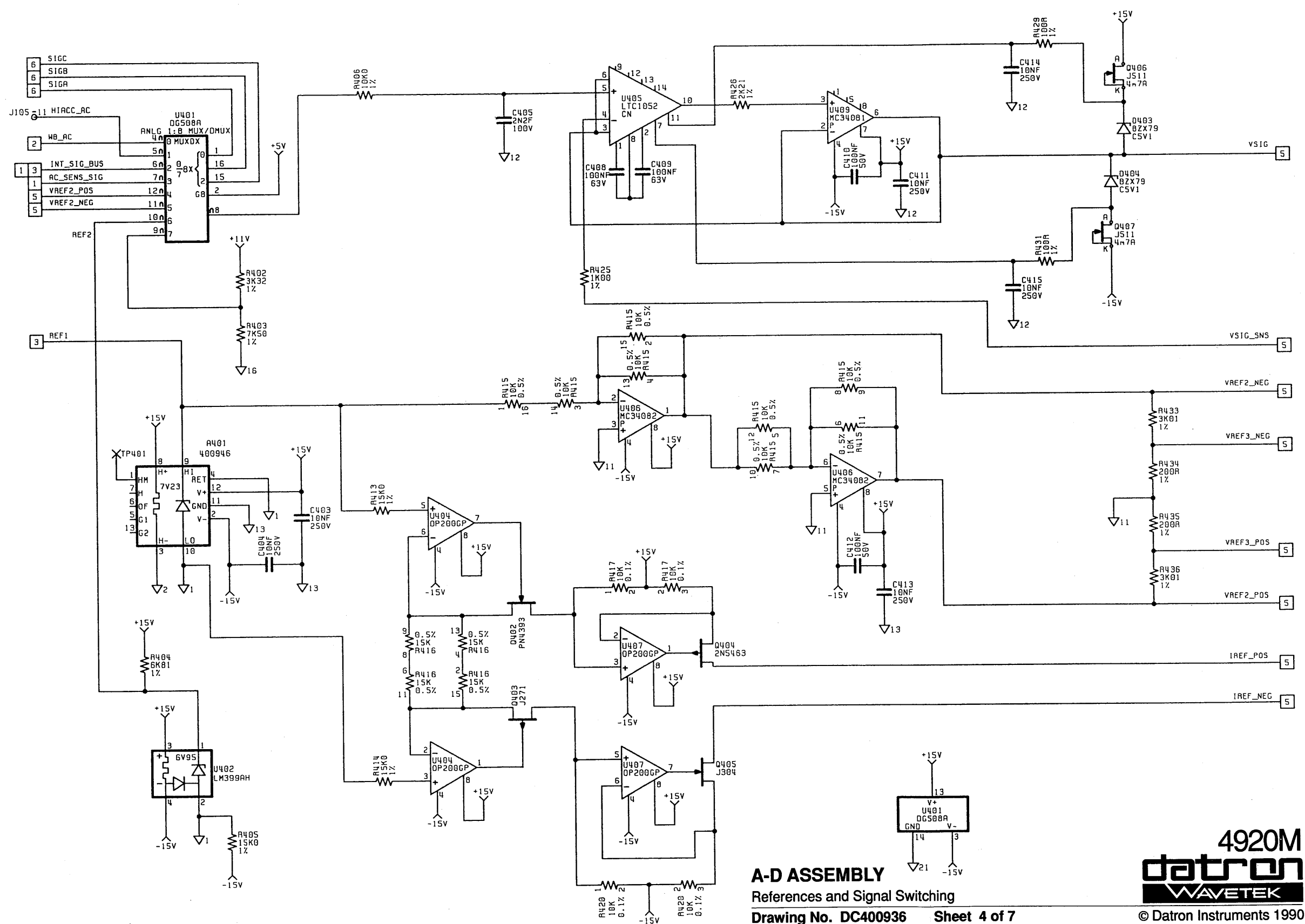
Test

Drawing No. DC400936

Sheet 3 of 7



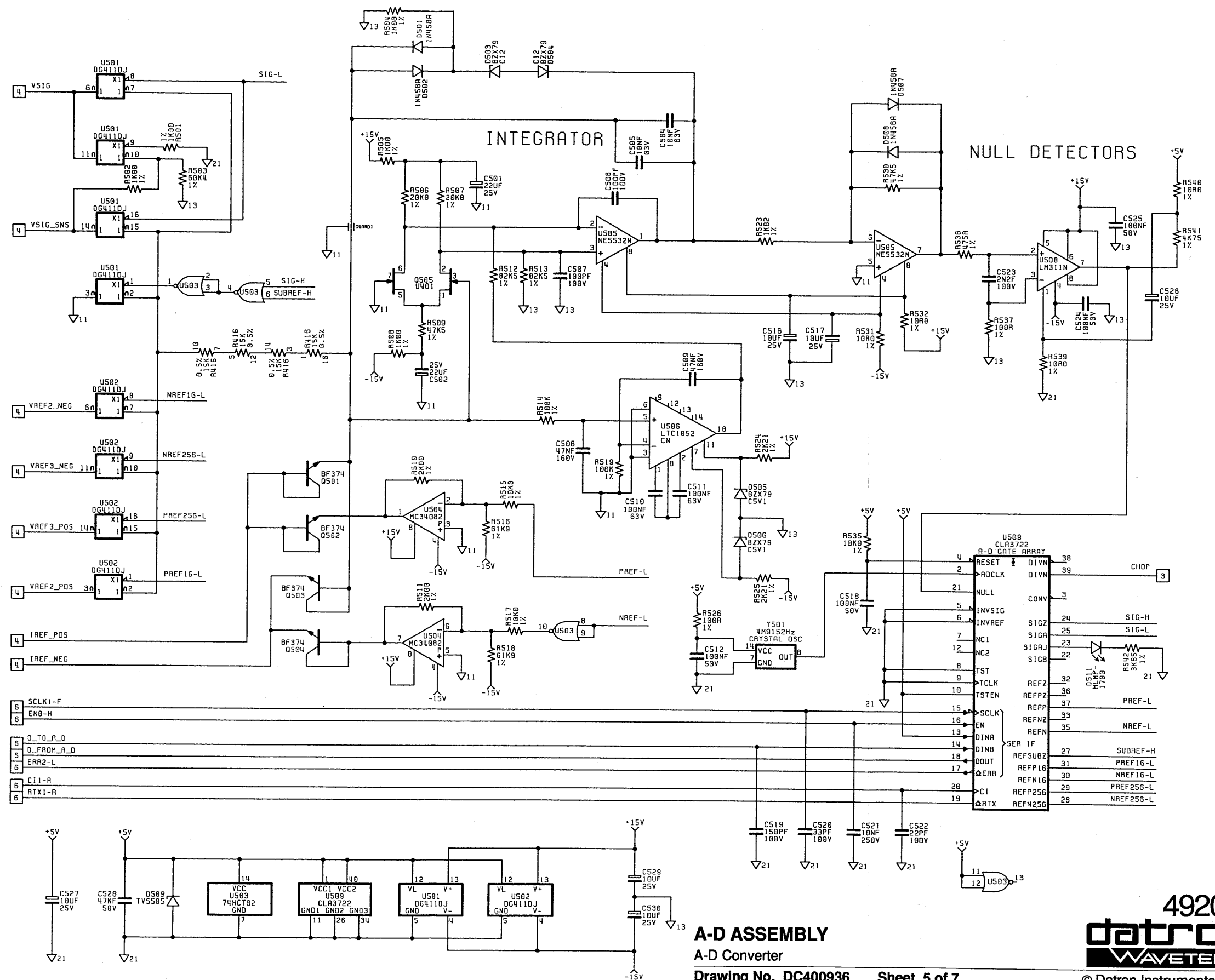
© Datron Instruments 1990



**A-D ASSEMBLY**  
References and Signal Switching  
Drawing No. DC400936 Sheet 4 of 7



© Datron Instruments 1990



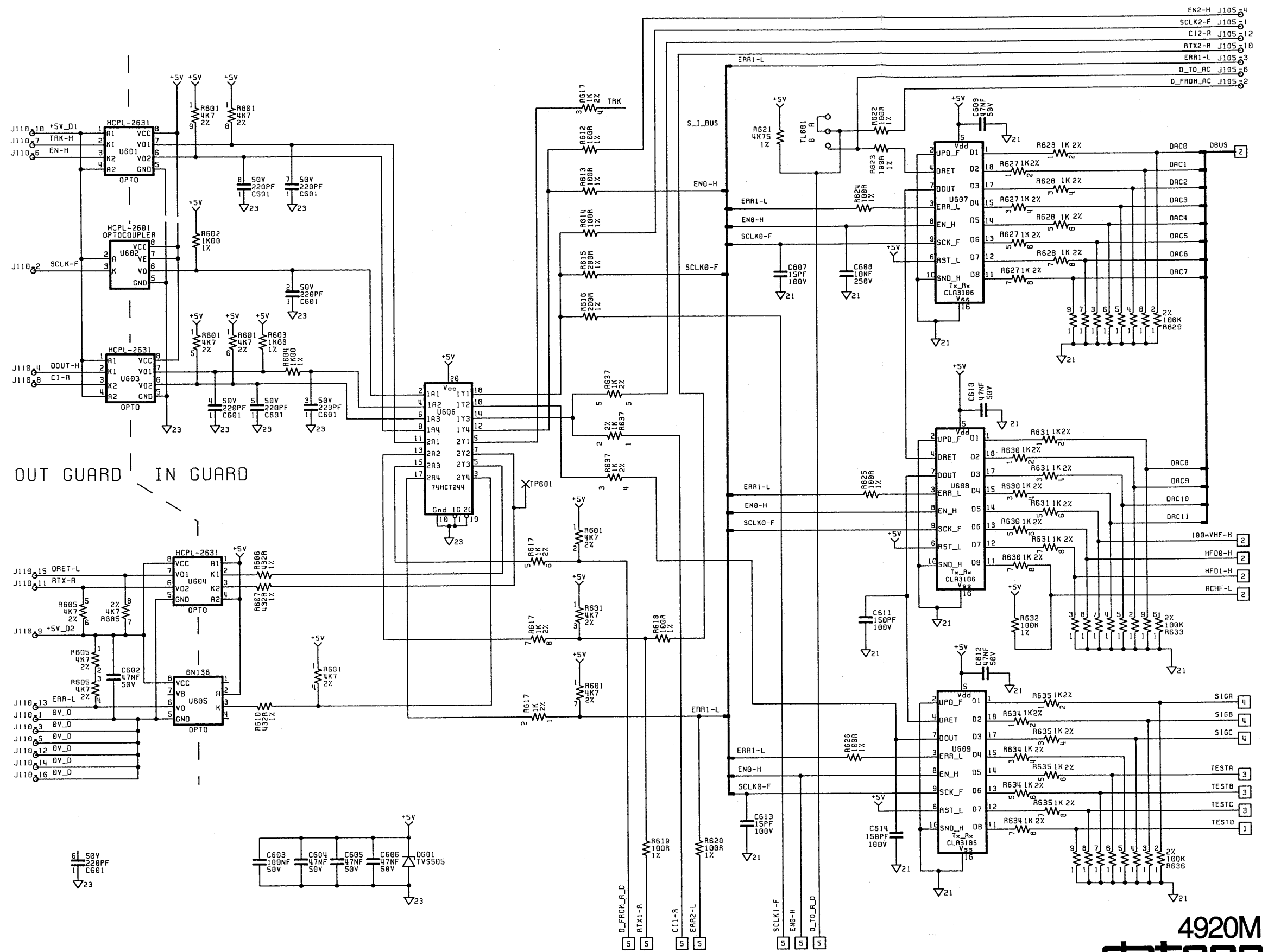
**A-D ASSEMBLY**

A-D Converter

Drawing No. DC400936 Sheet 5 of 7



© Datron Instruments 1990



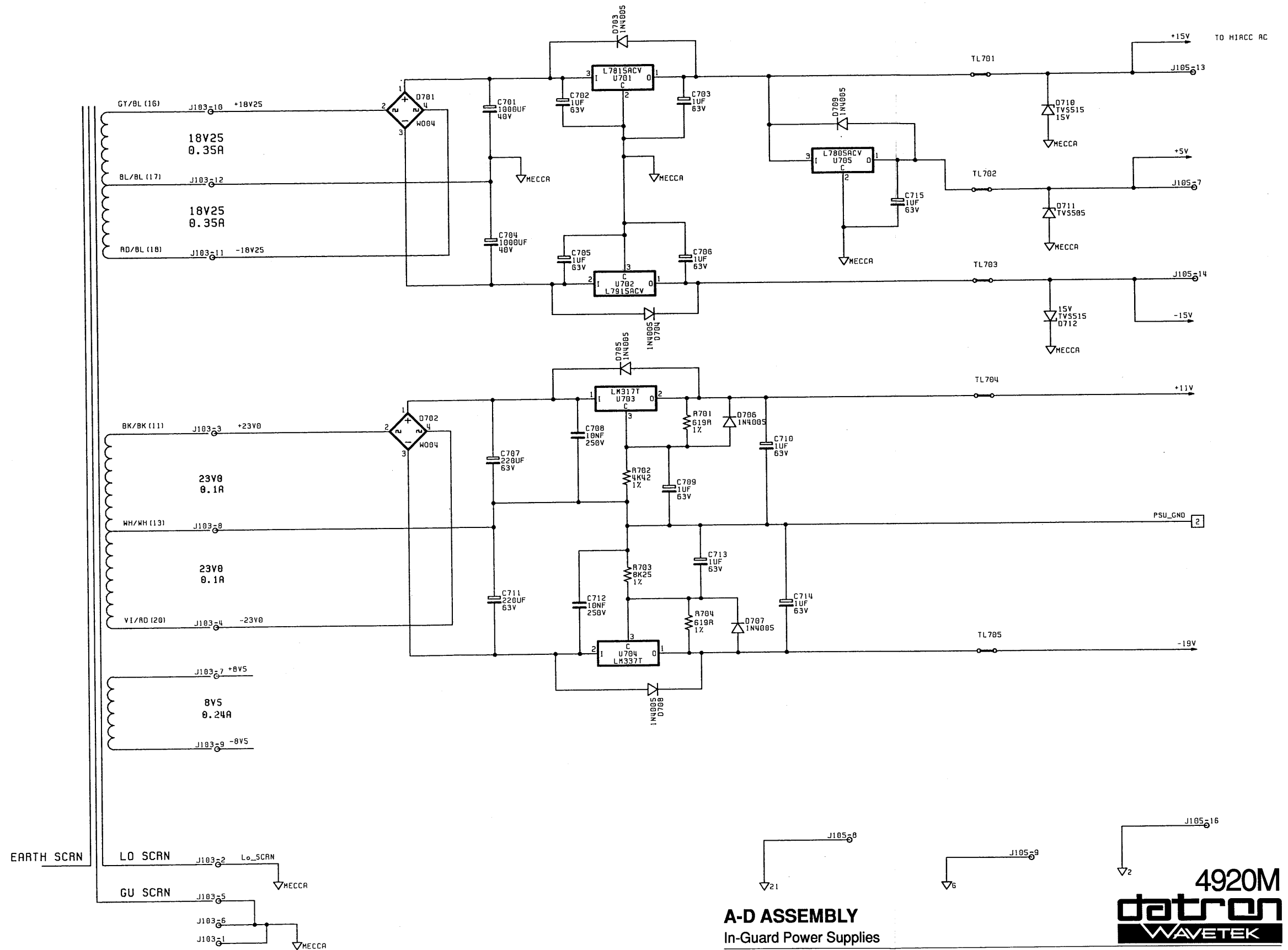
OUT GUARD IN GUARD

**A-D ASSEMBLY**  
Serial Interface

Drawing No. DC400936 Sheet 6 of 7



© Datron Instruments 1990

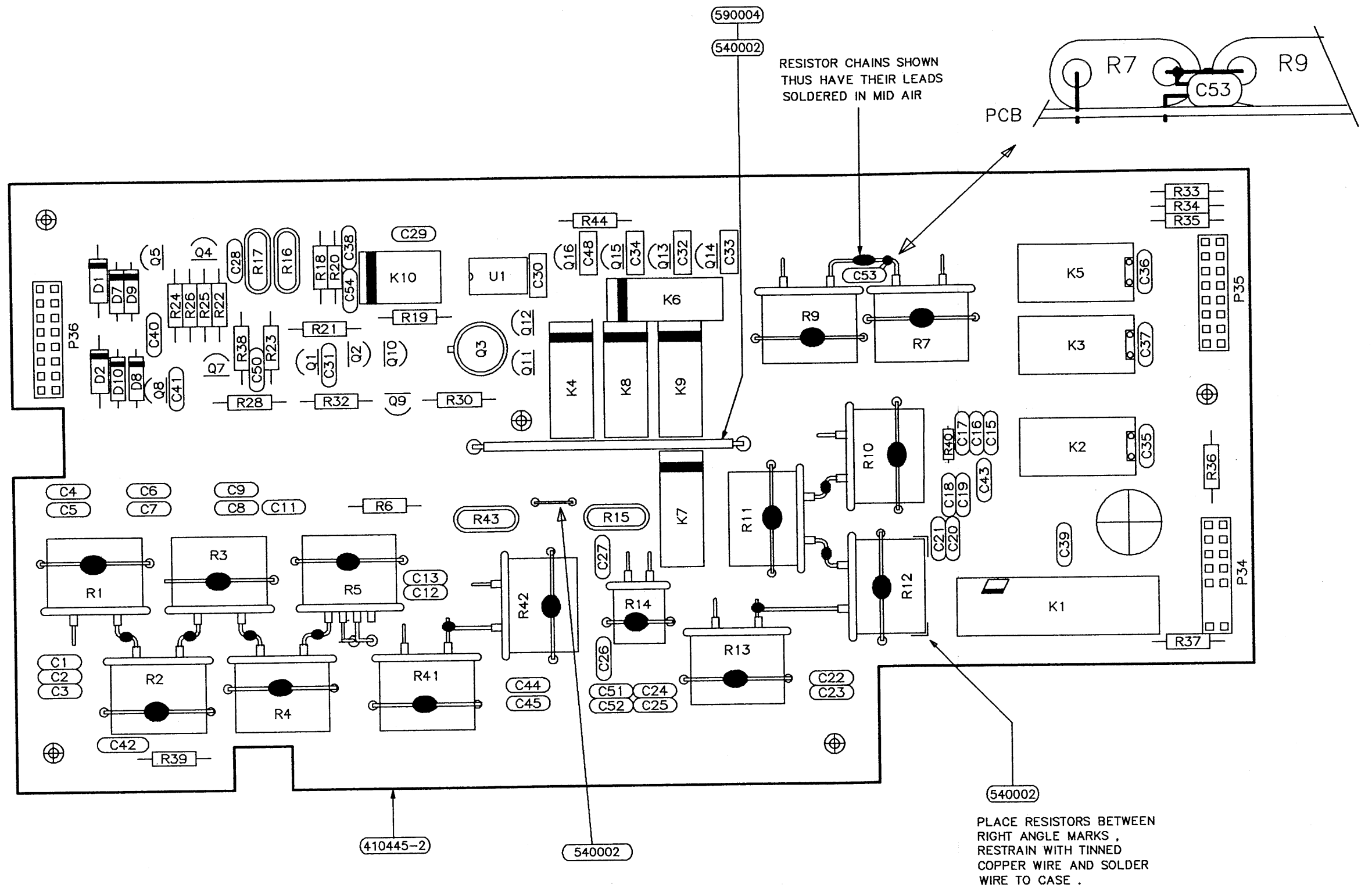


**A-D ASSEMBLY**  
 In-Guard Power Supplies  
 Drawing No. DC400936

Sheet 7 of 7

4920M  
**datron**  
 WAVETEK  
 © Datron Instruments 1990



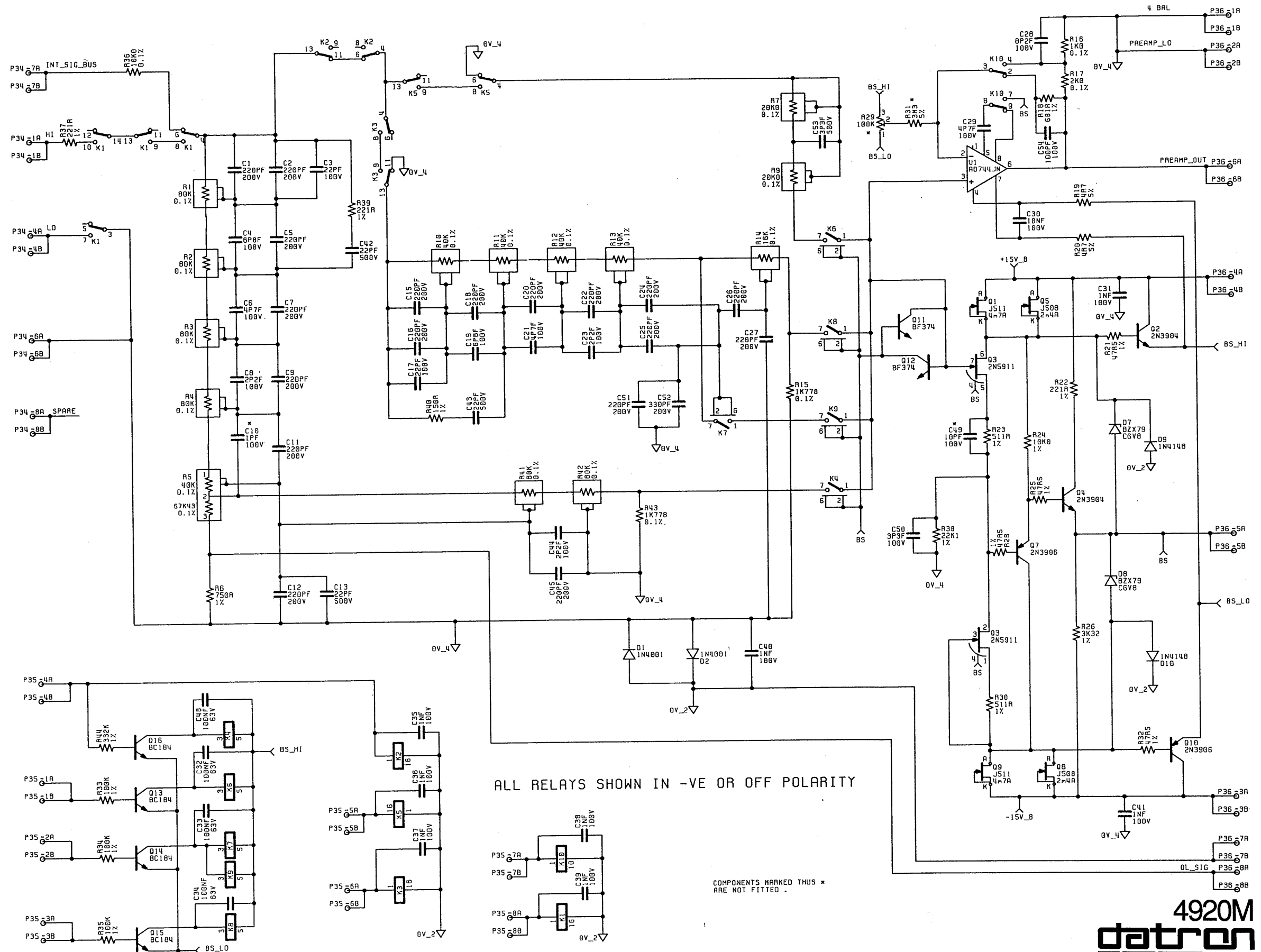


**AC PREAMP ASSEMBLY**

Drawing No. DA400938-1.2 Sheet 1 of 1

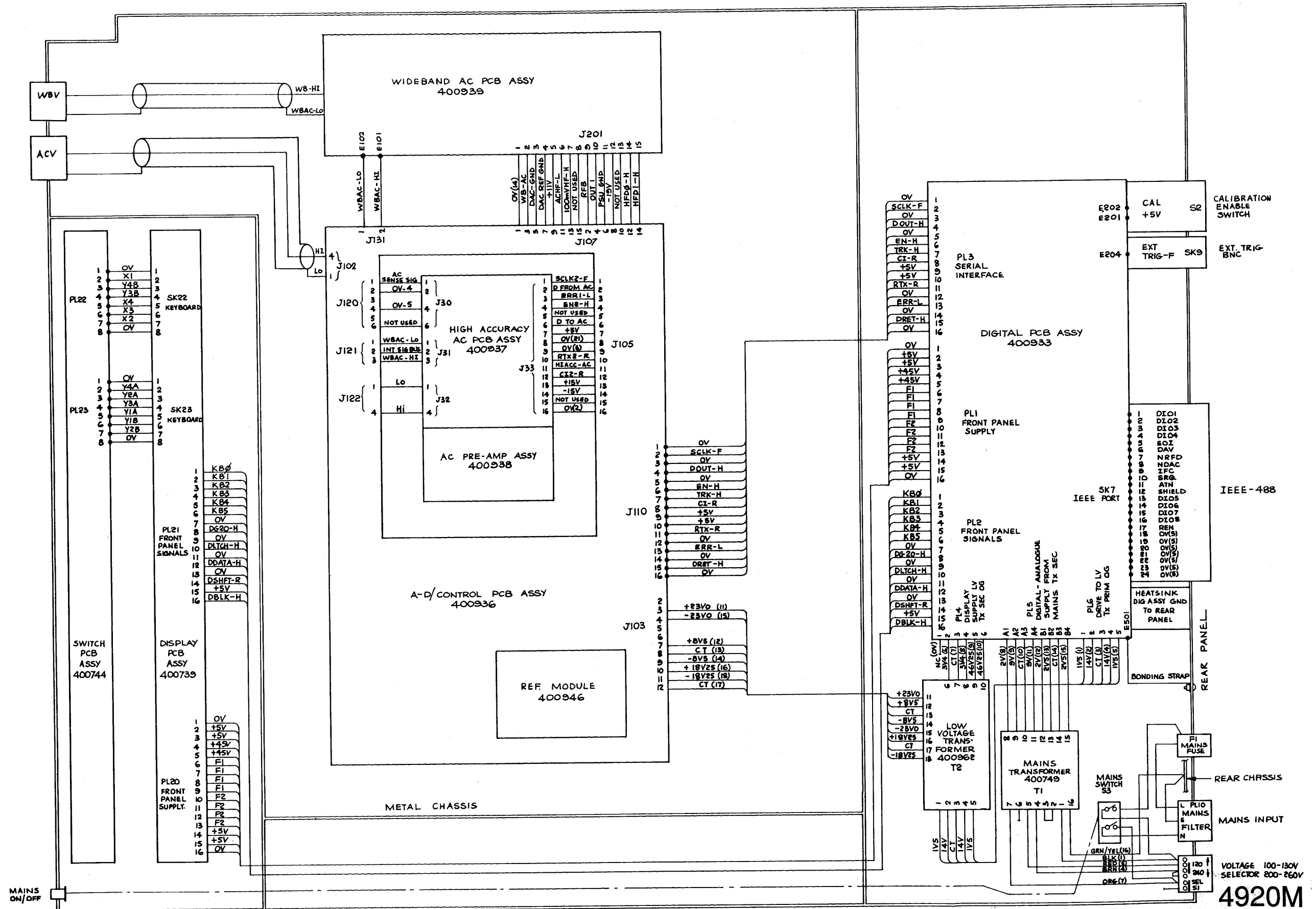


© Datron Instruments 1990



ALL RELAYS SHOWN IN -VE OR OFF POLARITY

COMPONENTS MARKED WITH \* ARE NOT FITTED.



**INTERCONNECTION DIAGRAM**

Drawing No. DC400927 Sheet 1



© Datron-Instruments 1990