

FEATURES

Full-featured evaluation board for the AD7453
Evaluation control board (EVAL-CONTROL-BRD2) compatible
Standalone capability
On-board analog buffering and reference
Various linking options
PC software for control and data analysis when used with EVAL-CONTROL-BRD2

FUNCTIONAL BLOCK DIAGRAM

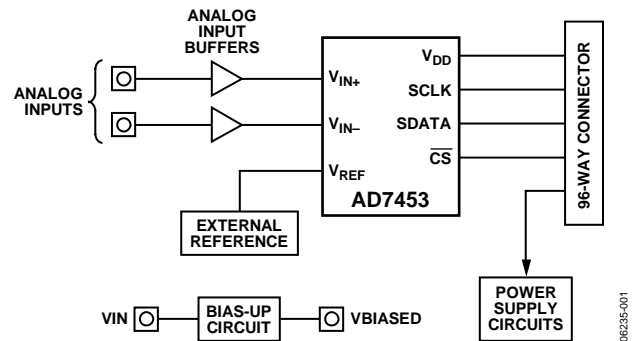


Figure 1.

GENERAL DESCRIPTION

This data sheet describes the evaluation board for the AD7453, a 12-bit, high speed, low power successive approximation ADC with a pseudo differential analog input. This part operates from a single 2.7 V to 5.25 V power supply. Full details on the AD7453 are available in the AD7453 data sheet, which is available from Analog Devices, Inc., and should be consulted in conjunction with this data sheet when using the evaluation board.

On-board components include:

- One AD780, which is a pin-programmable, 2.5 V or 3 V ultrahigh precision band gap reference
- One AD8022 dual op amp
- One AD8021 single op amp
- One AD713 quad op amp
- One 7S04 inverter

Various link options are explained in detail in Table 1.

Interfacing to this board is through a 96-way connector, which is compatible with the EVAL-CONTROL-BRD2 from Analog Devices. External sockets are provided for a number of signals including the V_{REF} input, the V_{IN+} and V_{IN-} inputs, the optional external SCLK and \overline{CS} inputs, and SDATA out.

Rev. 0

Evaluation boards are only intended for device evaluation and not for production purposes. Evaluation boards as supplied "as is" and without warranties of any kind, express, implied, or statutory including, but not limited to, any implied warranty of merchantability or fitness for a particular purpose. No license is granted by implication or otherwise under any patents or other intellectual property by application or use of evaluation boards. Information furnished by Analog Devices is believed to be accurate and reliable. However, no responsibility is assumed by Analog Devices for its use, nor for any infringements of patents or other rights of third parties that may result from its use. Analog Devices reserves the right to change devices or specifications at any time without notice. Trademarks and registered trademarks are the property of their respective owners. Evaluation boards are not authorized to be used in life support devices or systems.

TABLE OF CONTENTS

Features	1	Operating with the EVAL-CONTROL-BRD2.....	6
Functional Block Diagram	1	Evaluation Board Software.....	7
General Description	1	Installing the Software	7
Revision History	2	Setting Up the EVAL-CONTROL-BRD2.....	7
Evaluation Board Hardware.....	3	Configuring the Evaluation Board.....	7
Power Supplies	3	Using the Software	8
Link Options	3	Evaluation Board Schematics and Artwork.....	11
Initial Setup Conditions	4	Ordering Information.....	15
Interfacing to the Evaluation Board.....	5	Bill of Materials.....	15
Sockets	6	Ordering Guide	15
Connectors	6	ESD Caution.....	15
Test Points.....	6		

REVISION HISTORY

1/07—Revision 0: Initial Version

EVALUATION BOARD HARDWARE

POWER SUPPLIES

When using this evaluation board with the EVAL-CONTROL-BRD2, all supplies are provided from the EVAL-CONTROL-BRD2 through the 96-way connector.

When using the board as a standalone unit, external supplies must be provided. This evaluation board has three power supply inputs: +12 V, –12 V, and +5 V. If the evaluation board is used in standalone mode, 2.7 V to 5.25 V must be connected to the V_{DD} input to supply the AD7453 V_{DD} pin. To supply the AD8022 dual op amp, the AD8021 single op amp, the AD713 quad op amp, and the AD780 voltage reference, +12 V and –12 V is needed, and +5 V is needed to supply the 7S04 inverter. The supplies are decoupled to the relevant ground plane with 10 μ F tantalum and 0.1 μ F multilayer ceramic capacitors at the point

where they enter the board. The supply pins of all the op amps and the reference are also decoupled to AGND with 10 μ F tantalum and a 0.1 μ F ceramic capacitor. The AD7453 V_{DD} supply pin is decoupled to AGND with 10 μ F tantalum and 0.1 μ F multilayer ceramic capacitors.

Extensive ground planes are used on this board to minimize the effect of high frequency noise interference. There are two ground planes, AGND and DGND. These are connected at one location close to the AD7453.

LINK OPTIONS

There are 16 link options that must be set for the required operating setup before using the evaluation board. The functions of these options are outlined in Table 1.

Table 1. Link Option Functions

Link No.	Function
LK1	This link option selects the source of the V_{DD} supply for the ADC. In Position A, the V_{DD} is supplied from the EVAL-CONTROL-BRD2. In Position B, the V_{DD} must be supplied from an external source via the power connector J2.
LK2	This link option selects the analog input to V_{IN+} . In Position A, the analog input is generated by the bias-up circuit. In Position B, an external unipolar single-ended signal must be applied to the V_{IN+} input via P1. In Position C, the input to U2A, the AD8022 op amp used to buffer the single-ended signal is tied to AGND.
LK3	This link option selects the analog input to V_{IN-} . In Position A, an external dc signal can be applied to the V_{IN-} input via P2. In Position B, V_{IN-} is tied to GND.
LK4	This link option selects the reference voltage applied to the V_{REF} pin of the AD7453. In Position A, an external signal must be supplied to the V_{REF} pin via P3. In Position B, the AD780 provides a 2.5 V/3 V reference to the V_{REF} pin. In Position C, a divided down reference of 4/5 th of the output of the AD780 is applied to the V_{REF} pin. Resistor R2 and Resistor R3 can be varied to alter the reference input.
LK5	This link option selects whether the output of the AD780 reference is applied directly to the AD7453 or if it is divided down before being applied. This link should be in Position A if a 2.5 V reference is required. In this case, LK7 should be inserted. This link should be in Position B if a 2 V reference is required. In this case, LK7 should be removed.
LK6	This link option controls the program pin of the AD780 reference voltage. When this link is inserted the AD780 output voltage is set to 3.0 V. When this link is removed the AD780 output voltage is set to 2.5 V.
LK7	This link option selects the analog input to U5, the op amp used to buffer the divided reference output from the AD780. When this link is removed, the divided reference voltage is applied to the noninverting input of the op amp and, in this case, acts as a buffer. When this link is inserted, the noninverting input to the op amp is tied to GND. This link should be inserted if the op amp is not being used.
LK8	This link option sets the dc bias voltage that is applied to the bias-up circuit being used. In Position A, the bias voltage is set to V_{REF} , that is, the output of the AD780. In Position B, the bias voltage is set to $4/5 \times V_{REF}$. In Position C, the bias voltage is set to AGND. In this configuration, the bias-up circuit is not used.
LK9	This link option selects where the serial data out (SDATA) appears. In Position A, the data can be read by the EVAL-CONTROL-BRD2. In Position B, the data can be read via the external socket, P5.

EVAL-AD7453

Link No.	Function
LK10	This link is used to control the polarity of the serial clock applied to the SCLK pin. This link must be in Position A when LK11 is in Position A and when SCLK is provided by the EVAL-CONTROL-BRD2. This means data is valid on the falling edge of SCLK. This link can be placed in Position B when LK11 is in Position B, to invert an SCLK from P6 if necessary. This means data can be read on the rising edge of SCLK but is only possible with a slower SCLK frequency.
LK11	This link option selects the source of the SCLK input. In Position A, the SCLK input is provided by the EVAL-CONTROL-BRD2. In Position B, the SCLK input is provided via the external socket, P6.
LK12	This link option selects the source of the \overline{CS} input. In Position A, the \overline{CS} input is provided by the EVAL-CONTROL-BRD2. In Position B, the \overline{CS} input is provided via the external socket, P7.
LK13	This link option adds a 50 Ω termination to AGND at the VIN socket of the bias-up circuit (P4) for the analog input. This link should be inserted if a 50 Ω termination is required on the analog input.
LK14	This link option is used to select the source of the V $-$ (–12 V) supply, which is used to power the op amps. When this link is in Position A, the V $-$ is supplied from the EVAL-CONTROL-BRD2 through the 96-way connector. When this link is in Position B, the V $-$ is supplied from an external source via the power connector, J3.
LK15	This link option is used to select the source of the V $+$ (+12 V) supply, which is used to power the op amps and the external reference. In Position A, V $+$ is supplied from the EVAL-CONTROL-BRD2 through the 96-way connector. In Position B, V $+$ is supplied from an external source via the power connector, J3.
LK16	This link option selects the source of the +5 V digital supply. In Position A, +5 V is supplied by the EVAL-CONTROL-BRD2. In Position B, +5 V must be supplied from an external source via J4.

INITIAL SETUP CONDITIONS

Care should be taken before applying power and signals to the evaluation board to ensure that all link positions are set up per the required operating mode. Table 2 shows the position in which all the links are set when the evaluation board is shipped. The board is compatible with the EVAL-CONTROL-BRD2 when shipped.

Table 2. Initial Link Positions

Link No.	Position	Function
LK1	A	V _{DD} is supplied by the EVAL-CONTROL-BRD2.
LK2	A	The analog input applied to V _{IN+} is from the bias-up circuit.
LK3	B	V _{IN-} is tied to GND.
LK4	B	The voltage reference applied to V _{REF} is supplied by the AD780.
LK5	A	The voltage reference is taken directly from the output of the AD780.
LK6	Removed	The AD780 is set to provide a 2.5 V reference.
LK7	Inserted	U5 is not used so the input is tied to GND.
LK8	A	A voltage of 2.5 V from the AD780 is applied to the bias-up circuit.
LK9	A	SDATA is read by the EVAL-CONTROL-BRD2.
LK10	A	SCLK is not inverted.
LK11	A	SCLK is supplied by the EVAL-CONTROL-BRD2.
LK12	A	\overline{CS} is supplied by the EVAL-CONTROL-BRD2.
LK13	Removed	A 50 Ω termination to GND is not applied to the input of the bias-up circuit.
LK14	A	V $-$ is supplied by the EVAL-CONTROL-BRD2.
LK15	A	V $+$ is supplied by the EVAL-CONTROL-BRD2.
LK16	A	+5 V is supplied by the EVAL-CONTROL-BRD2.

INTERFACING TO THE EVALUATION BOARD

Interfacing to the evaluation board is via a 96-way connector, J1. J1 is used to connect the evaluation board to the EVAL-CONTROL-BRD2 or other system. The pinout for the J1 connector is shown in Figure 2. Table 3 gives a description of the pins on the 96-way connector used to interface between the EVAL-CONTROL-BRD2 and the EVAL-AD7453CB, and Table 4 gives its pin designations.

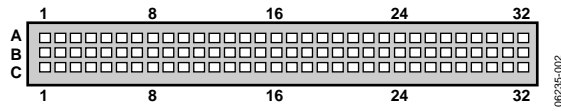


Figure 2. Pin Configuration for the 96-Way Connector, J1

Table 3. 96-Way Connector Pin Descriptions

Mnemonic	Description
DR0	Data Receive Zero. This input is connected to the SDATA pin of the AD7453 via LK9. The data stream of the AD7453 consists of four leading zeros followed by the 12 bits of conversion data, provided MSB first.
SCLK0	Serial Clock Zero. This continuous clock output is connected to the SCLK pin of the AD7453 via LK11.
TFS0	Transmit Frame Sync Zero. This output is connected to the CS pin of the AD7453 via LK12 to initiate conversions and to frame the serial data transfer.
RFS0	Receive Frame Sync Zero. This input is connected to the TFS0 pin of the ADSP-2189 to frame the serial data read.
+5 V	+5 V Digital Supply. Powers digital circuitry connected through LK16.
DGND	Digital Ground. These lines are connected to the digital ground plane on the evaluation board. This allows the user to provide the digital supply via the connector along with the other digital signals.
AGND	Analog Ground. These lines are connected to the analog ground plane on the evaluation board.
AVSS	Analog -5 V Supply. These lines are connected to the AVSS supply line on the board via LK2 to supply -5 V to the AD8138 differential amplifier.
AVDD	Analog +5 V Supply. These lines are connected to the VDD supply line on the board via LK1 to provide the supply for the AD7453.
+12 V	+12 V Supply. This line is connected to the +12 V supply line on the board via LK15 to supply +12 V to the AD713, the AD8022, and to the AD780.
-12 V	-12 V Supply. This line is connected to the -12 V supply line on the board via LK15 to supply -12 V to the AD713 and the AD8022.

Table 4. 96-Way Connector Pin Functions¹

Pin No.	ROW A	ROW B	ROW C
1			
2			
3			
4	DGND	DGND	DGND
5			DR0
6	TFS0		RFS0
7	SCLK0		SCLK0
8	+5 V	+5 V	+5 V
9			
10			
11			
12	DGND	DGND	DGND
13			
14			
15			
16	DGND	DGND	DGND
17			
18			
19			
20	DGND	DGND	DGND
21	AGND	AGND	AGND
22	AGND	AGND	AGND
23	AGND	AGND	AGND
24	AGND	AGND	AGND
25	AGND	AGND	AGND
26	AGND	AGND	AGND
27		AGND	
28		AGND	
29	AGND	AGND	AGND
30	-12 V	AGND	+12 V
31	AVSS	AVSS	AVSS
32	AVDD	AVDD	AVDD

¹ The unused pins of the 96-way connector are not shown.

EVAL-AD7453

SOCKETS

There are seven input sockets relevant to the operation of the AD7453 on this evaluation board. All of these sockets are used to apply an externally generated signal to the evaluation board. When operating the board with the EVAL-CONTROL-BRD2, the only necessary external socket used is P1. All of the other sockets are optional, and if they are not used their signals are supplied by the EVAL-CONTROL-BRD2. Most of these sockets are used when operating the board as a standalone unit, as all the signals required are supplied from external sources. The functions of these sockets are outlined in Table 5.

Table 5. Socket Functions

Socket	Function	Description
P1	VIN+ EXT	Subminiature BNC socket for an external unipolar input to be applied to the V_{IN+} analog input.
P2	VIN- EXT	Subminiature BNC socket for an external dc input to be applied to the V_{IN-} analog input.
P3	EXT VREF	Subminiature BNC socket for an external reference input to be applied to the V_{REF} input.
P4	VIN	Subminiature BNC socket for a bipolar analog input signal to the V_{IN+} analog input (via the bias-up circuit).
P5	SDATA EXT	Subminiature BNC socket for the SDATA output.
P6	EXT SCLK	Subminiature BNC socket for an external SCLK input.
P7	EXT \overline{CS}	Subminiature BNC socket for an external \overline{CS} input.

CONNECTORS

There are four connectors on the AD7453 evaluation board as outlined in Table 6.

Table 6. Connector Functions

Connector	Function
J1	The 96-way connector for serial interface and power supply connections.
J2	External V_{DD} and GND power connector.
J3	External +12 V, -12 V, and A_{GND} power connector.
J4	External +5 V power connector.

TEST POINTS

There are five test points on the AD7453 inputs and data output on the evaluation board. These enable you to have easy access to these signals for probing, evaluation, and debugging.

OPERATING WITH THE EVAL-CONTROL-BRD2

The evaluation board can be operated as a standalone unit or in conjunction with the EVAL-CONTROL-BRD2. The EVAL-CONTROL-BRD2 is available from Analog Devices under the order entry "EVAL-CONTROL-BRD2."

When interfacing the EVAL-AD7453 directly to the EVAL-CONTROL-BRD2, all supplies and control signals to operate the AD7453 are provided by the EVAL-CONTROL-BRD2.

Software to communicate with the EVAL-CONTROL-BRD2 and AD7453 is provided with the AD7453 evaluation board package. This EVAL-CONTROL-BRD2 also operates with all Analog Devices evaluation boards with model numbers ending in the letters CB.

The 96-way connector on the EVAL-AD7453CB plugs directly into the 96-way connector on the EVAL-CONTROL-BRD2. The EVAL-CONTROL-BRD2 provides all the supplies for the evaluation board. It is powered from a 12 V ac transformer. Suitable transformers are available from Analog Devices as an accessory under the following part numbers:

- EVAL-110VAC-US (for use in the U.S. or Japan)
- EVAL-220VAC-UK (for use in the U.K.)
- EVAL-220VAC-EU (for use in Europe)

These transformers are also available from other suppliers including Digi-Key (U.S.) and Campbell Collins, Ltd. (U.K.)

Connection between the EVAL-CONTROL-BRD2 and the serial port of a PC is via a standard Centronics printer port cable that is provided as part of the EVAL-CONTROL-BRD2 package. Refer to the manual that accompanies the EVAL-CONTROL-BRD2 for more details on this package.

EVALUATION BOARD SOFTWARE

INSTALLING THE SOFTWARE

The EVAL-AD7453 kit includes a CD-ROM containing the software that controls the EVAL-CONTROL-BRD2 and, therefore, the evaluation board.

When the CD is inserted into a PC, an installation program automatically begins. This program installs the evaluation software.

SETTING UP THE EVAL-CONTROL-BRD2

This section describes how the evaluation board, the EVAL-CONTROL-BRD2 and software should be set up to begin using the complete system.

Connect the EVAL-CONTROL-BRD2 and evaluation board together via the 96-way connector.

Apply the power to the EVAL-CONTROL-BRD2 via a 12 V ac transformer.

At this stage, the red LED should be flashing, which indicates that the EVAL-CONTROL-BRD2 is functional and ready to receive instructions.

Note that the software should be installed before the printer port cable is connected between the EVAL-CONTROL-BRD2 and the PC. This ensures that the printer port initializes properly. The printer port cable can then be connected between the PC and the EVAL-CONTROL-BRD2.

CONFIGURING THE EVALUATION BOARD

For the AD7453 evaluation board and EVAL-CONTROL-BRD2 to communicate with the software, the required configuration files must be loaded from the **Setup Menu** (see Figure 3).

The configuration files are text-based files that contain information about the particular evaluation board to be tested and the part connected to the EVAL-CONTROL-BRD2, such as the part name, number of samples to be taken, default and maximum sampling frequency, and power supply settings. The configuration file also contains the name of the DSP program file that is to be downloaded to the EVAL-CONTROL-BRD2.

To load the required configuration files, follow these steps:

1. Open the AD7453 evaluation software.
2. Open the **File** menu and select **Setup**. This displays the setup form (as shown in Figure 3).
3. In the **Select a Configuration File** list box, select the **ad7453.cfg** file.
4. Click **Load**. This resets the EVAL-CONTROL-BRD2 and downloads the DSP program. When the download is complete, the power supply settings indicated in the configuration file are set. You may hear some of the relays clicking. Drop-down list boxes such as **Select No. of Samples** and **Select Sample Frequency** have been set to the default values specified by the configuration file. You are free to change these at will to choose the sampling frequency and the number of samples to take.
5. Once all the settings are set, click **Close** to return to the main window.

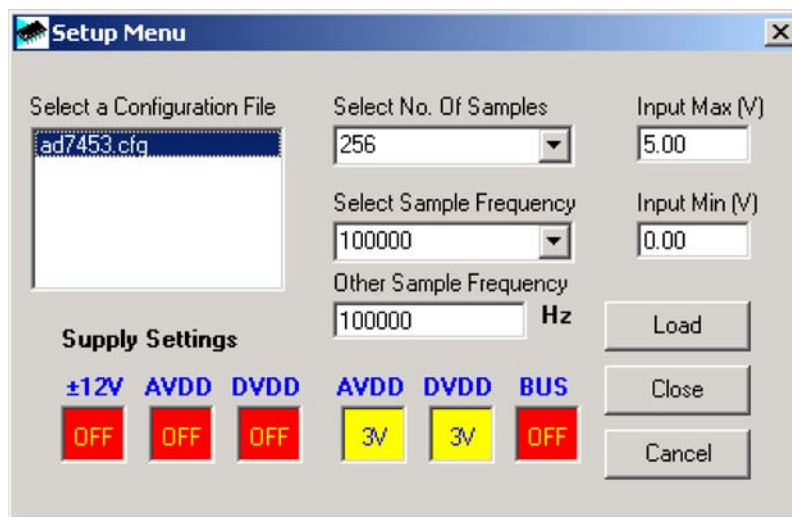


Figure 3. The Setup Window

EVAL-AD7453

The following is a typical software configuration (*.cfg) file.

```
EVAL-CONTROL BOARD
partname:AD7453
programname:ad7453.PRG
samplefrequency:100000
maxsamplefrequency:555000
samples:2048
+/-15V:on
dvdd:5:on
avdd:5:on
bus:on
;options 2scomp, binary
dataformat:Binary
numberofbits:12
inputVmax:2.5
inputVmin:0
[endofconfig]
```

Operating with Difference Voltage Reference Inputs

The functionality of the AD7453 allows a variable reference input in the range 100 mV to 3.5 V with the allowable reference input dependent on the power supply to ensure the maximum ratings of the device are not exceeded. The standard reference on the evaluation board is 2.5 V. This maximum input voltage is set up in the configuration file (see the **inputVmax: 2.5** in the configuration file in the preceding section). As you change the reference input, you must ensure that you adjust the **inputVmax** figure in the configuration file to ensure that accurate data is displayed in the software.

USING THE SOFTWARE

With the hardware properly set up, you can at this point use the software to control the EVAL-CONTROL-BRD2 and the AD7453 evaluation board.

Figure 4 shows the main window that appears when the software is run. The main function of this window is to allow you to read a predetermined number of samples from the evaluation board and display them in both the time and frequency domain.

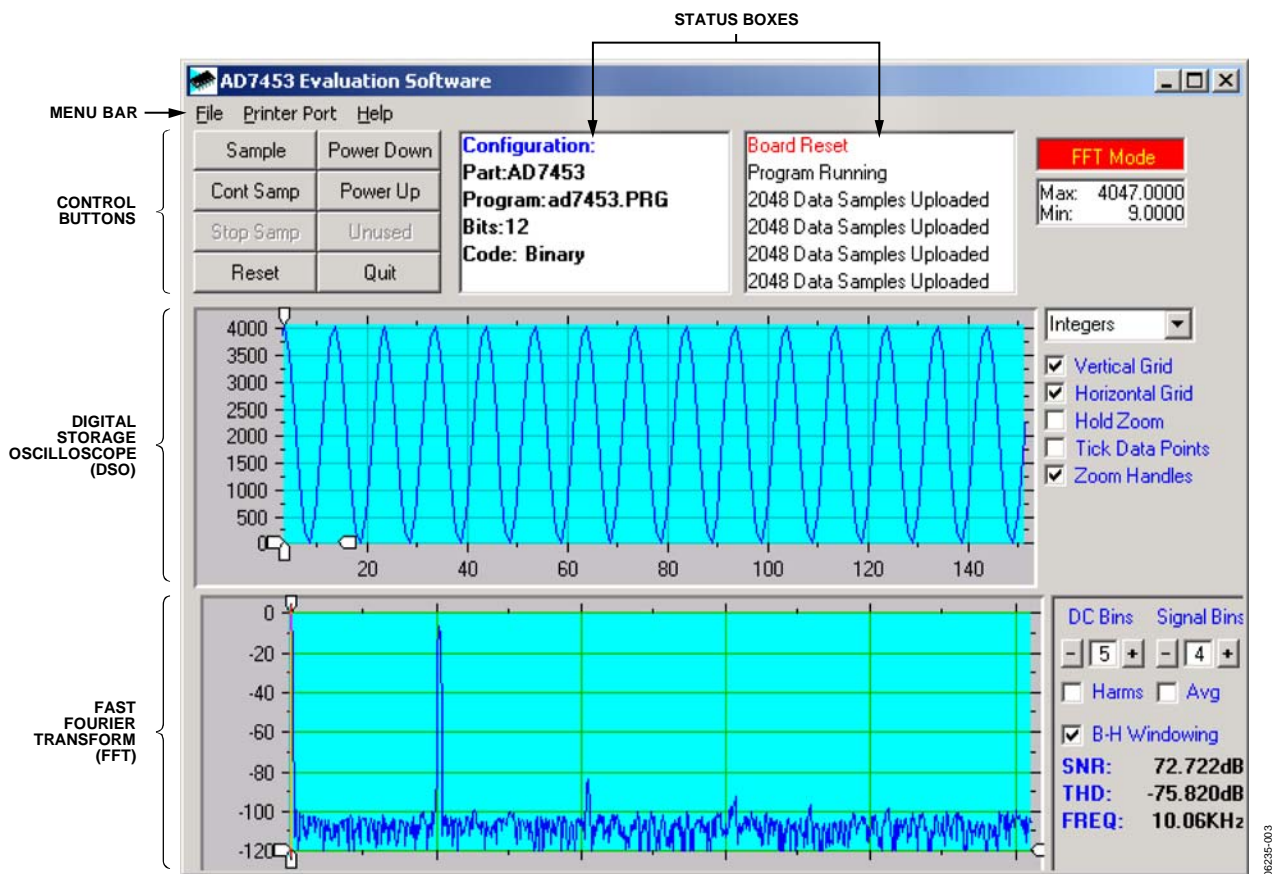


Figure 4. AD7453 Evaluation Software, Main Window

Menu Bar

The **menu bar** allows you to enter the setup menu, select which printer port is to be used to control the EVAL-CONTROL-BRD2, load and save data, and get information about the software.

The main window of the EVAL-CONTROL-BRD2 contains a number of options available as pull-down menu items: **File**, **Printer Port**, and **Help**.

File Menu

The **File** menu offers the following options:

Setup Menu. Selecting this option displays the Setup Window. See Figure 3 and the Configuring the Evaluation Board section for a detailed description of this menu.

Load Raw Data. Selecting this option allows you to load data that had been saved by the software during a previous session.

Save Raw Data. Selecting this option allows you to save the current set of sample data points. The data can be reloaded to the EVAL-CONTROL-BRD2 software at a later date or can be used by other programs for further analysis.

Save Binary Data. Selecting this option allows you to save the current set of sample data points. The data is saved in binary format as a text file. This method can be useful for examining code flicker and looking for stuck bits.

Save FFT Data. Selecting this option allows you to save the current set of FFT data points. FFT data cannot be reloaded into the EVAL-CONTROL-BRD2 software but can be loaded into other software packages for further analysis.

Exit. Quits the program.

Printer Port

If the operating system being used is Windows® 95 or Windows® 98, this menu item allows you to select which printer port should be used for communication with the EVAL-CONTROL-BRD2.

LPT1. This option selects 0x378 as the printer port address. This is the default option.

LPT2. This option selects 0x278 as the printer port address.

PRN. This option selects 0x3BC as the printer port address. If Windows® 2000 or NT is used, the software automatically detects the first printer port.

Help

This drop-down menu item gives information about the current revision of software for the particular evaluation board being used.

Control Buttons

The control buttons allow you to take samples, power down and power up the part, reset the part, and quit the program.

Sample Button

When you click **Sample**, the software instructs the EVAL-CONTROL-BRD2 to take the required number of samples at the required frequency from the evaluation board. The AD7453 evaluation board runs up to 555 kSPS so you can choose the sampling frequency up to this rate, and the number of samples to be taken. The samples taken are then uploaded and displayed. An FFT and histogram are also calculated and displayed.

If you click **Cont Samp** the software repeats the process indefinitely until you click the **Stop Samp** button. While the software is continuously sampling data, the other control buttons are disabled.

Power-Down/Power-Up Buttons

These buttons allow you to place the part into power-down mode, and power the part up again.

To enter power-down mode, click the **Power Down** button.

To exit power-down, click the **Power Up** button (see the AD7453 data sheet for further information on the modes of operation).

Reset Button

Clicking the **Reset** button causes the EVAL-CONTROL-BRD2 to perform a reset function. When this happens, the power supplies are turned off and the program in DSP memory is lost. Repeat the setup instructions to download another program if required.

Quit Button

Clicking the **Quit** button exits the software. However, the program running on the EVAL-CONTROL-BRD2 is not terminated.

Status Boxes

The status windows indicate the setup of the evaluation board/device, number of samples taken, and any information or error messages that are generated.

Digital Storage Oscilloscope (DSO)

When samples are uploaded from the EVAL-CONTROL-BRD2, they are displayed here. The samples can be displayed either as integer values or as voltages. Once samples have been displayed, click at any point on the graph to display the sample number and value of the point directly beneath the cursor. Along the axes of the graph are the zoom handles. These allow you to zoom in and out to get a closer look at a particular sample, if required.

When another set of samples is taken, the graph attempts to display all values collected unless the **Hold Zoom** check box is selected. In this case, the graph keeps the same axis settings as for the previous set of data samples. Additional check boxes are provided to give you control over the vertical and horizontal grids and data points.

EVAL-AD7453

Fast Fourier Transform or Histogram

The lower portion of the Main Window shows a fast Fourier transform (FFT) of the data, or a histogram that shows the number of occurrences of each particular code read back.

The FFT (the default option) is typically used when you are concerned with examining the ADC performance in the

frequency domain and the histogram gives an indication of the ADC performance to dc signals. The option displayed can be switched by clicking on the **FFT Mode/Histogram Mode** button in the top right of the window. Figure 5 shows the main window when the **Histogram Mode** option is selected.

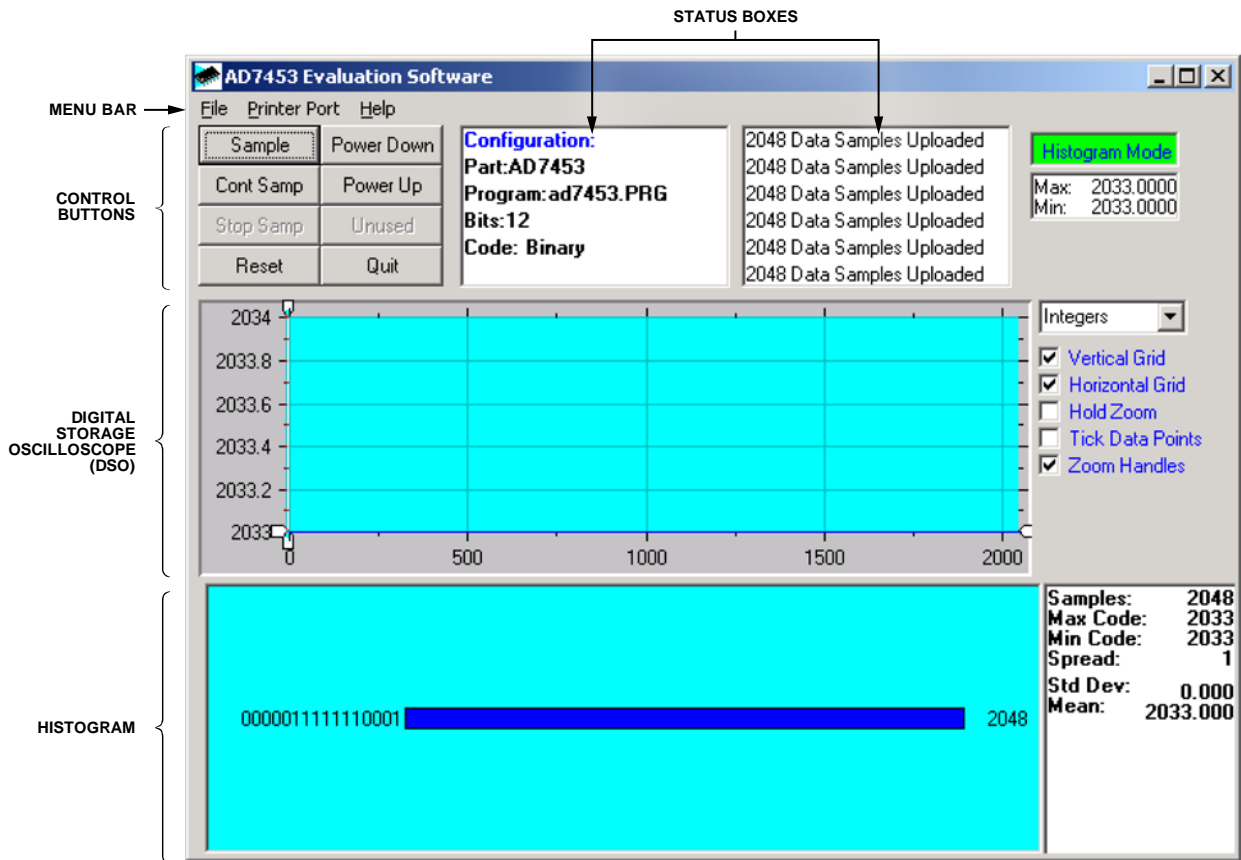


Figure 5. AD7453 Evaluation Software, Main Window—Histogram Mode

EVALUATION BOARD SCHEMATICS AND ARTWORK

06235-006

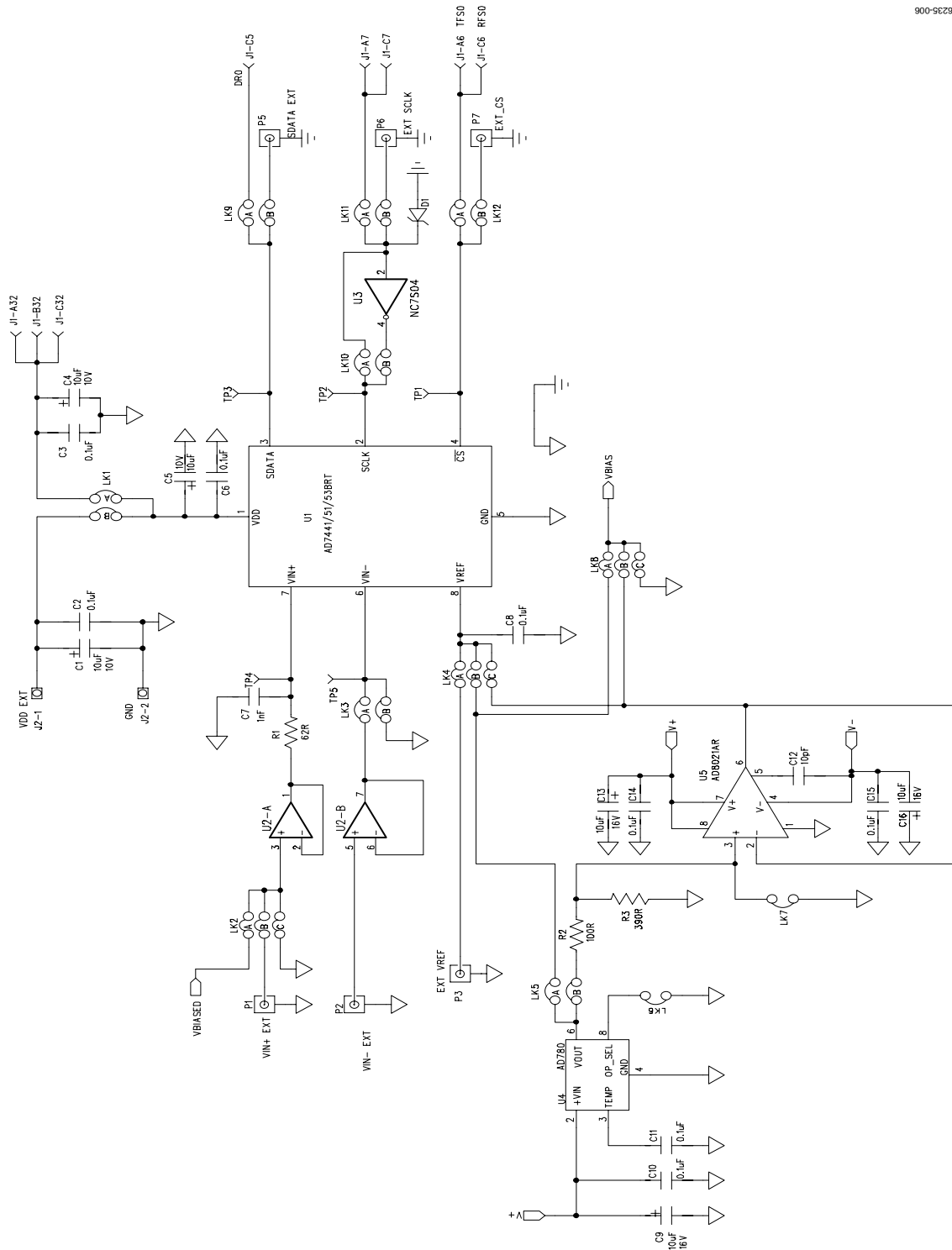


Figure 6. AD7453 Evaluation Board Schematic, Page 1

EVAL-AD7453

06235-000

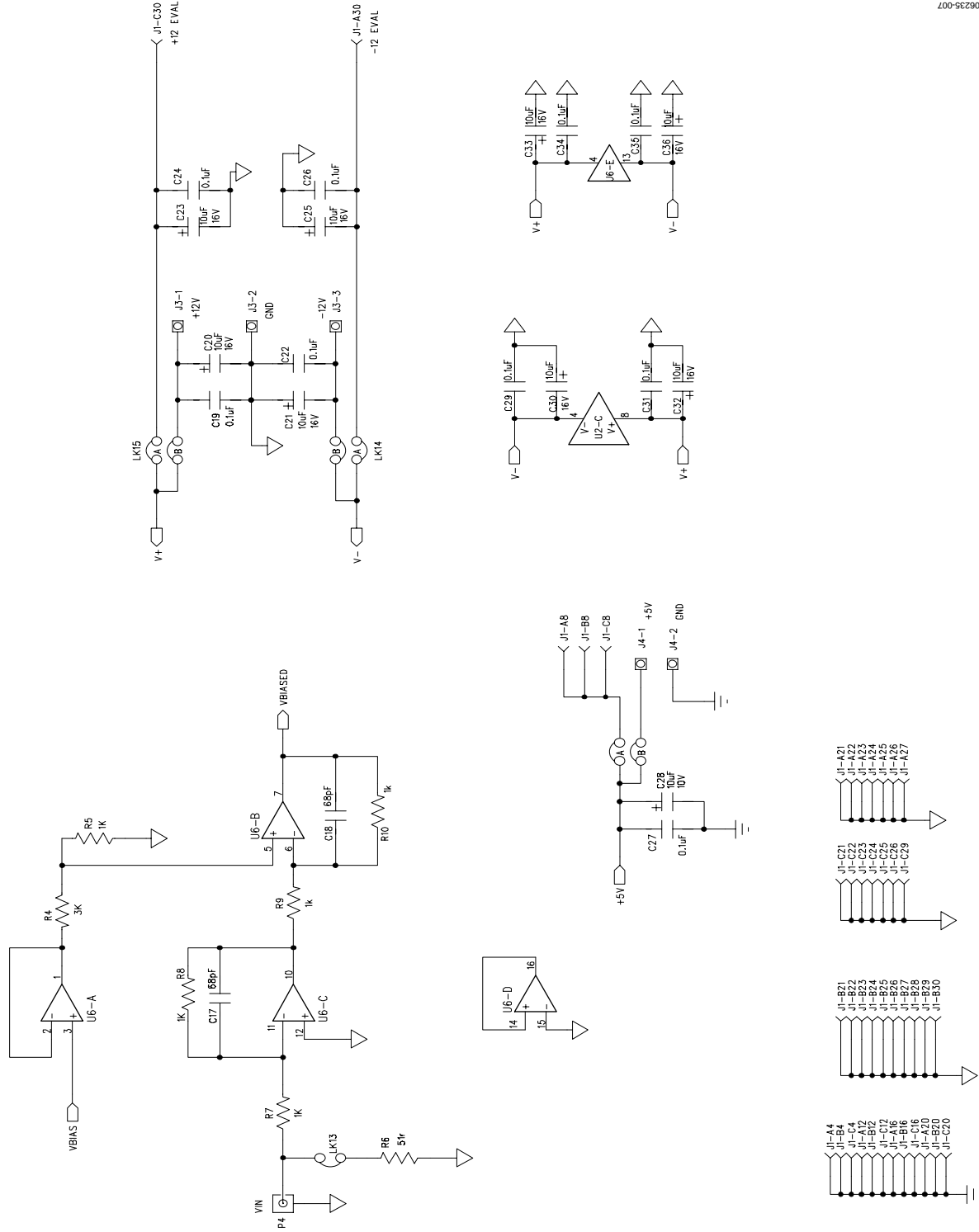
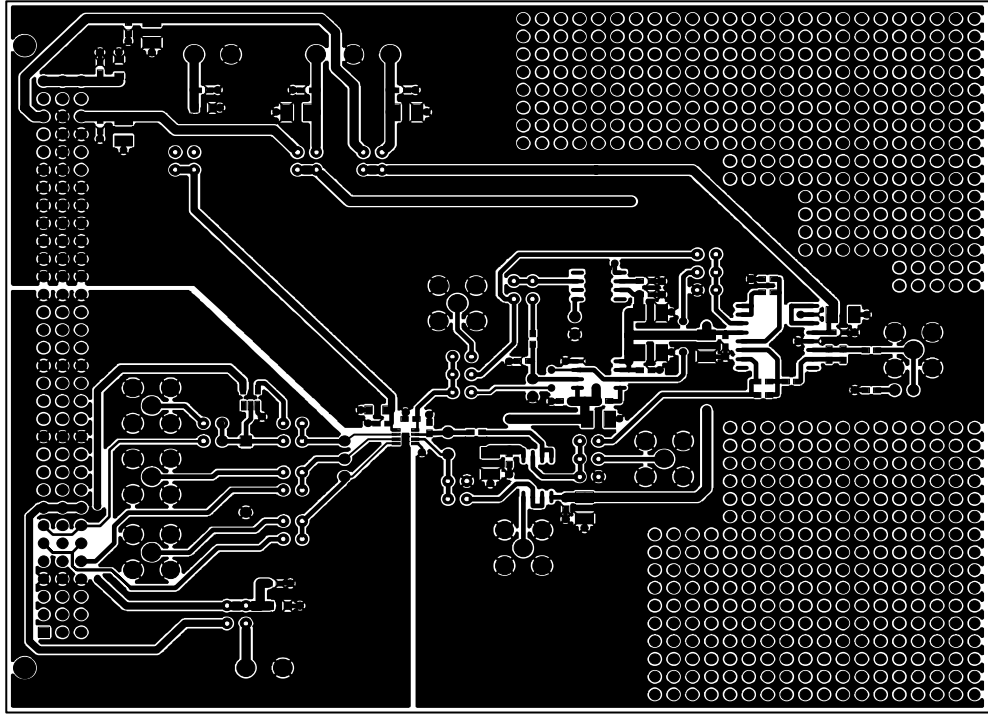
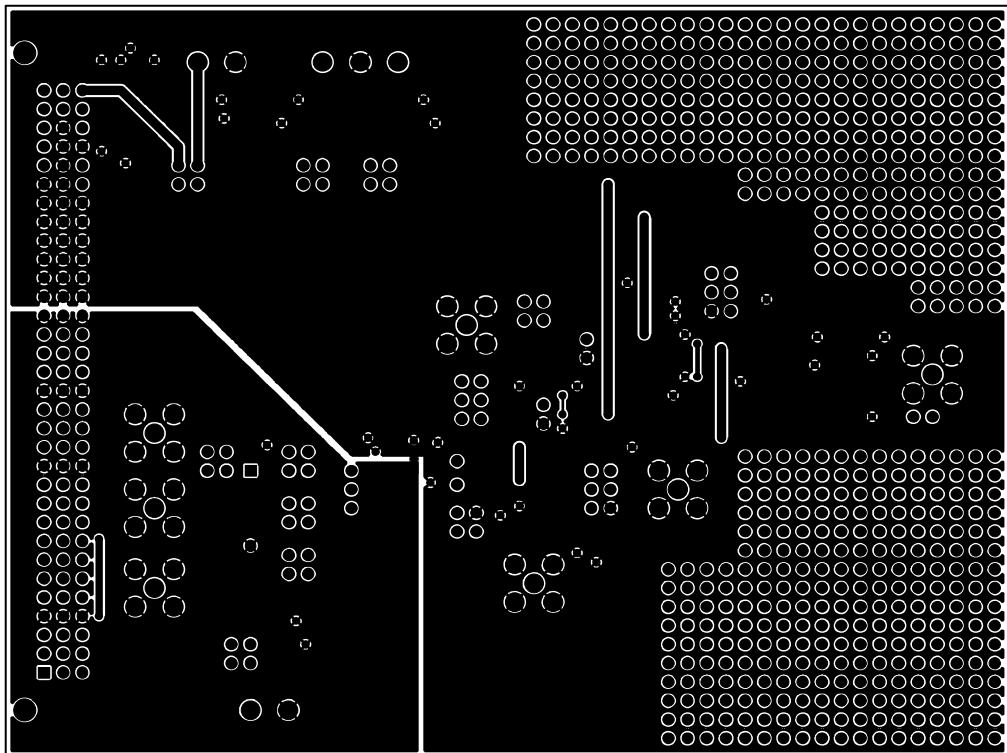


Figure 7. AD7453 Evaluation Board Schematic, Page 2



06235-008

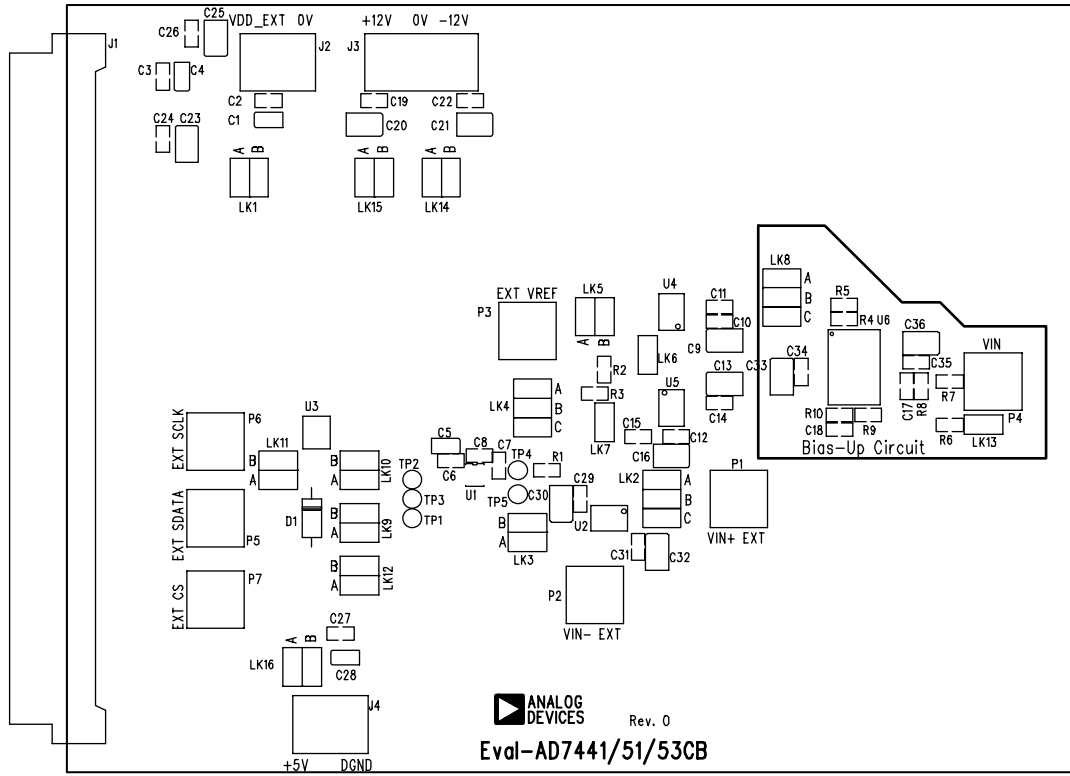
Figure 8. Component Side Artwork



06235-009

Figure 9. Solder Side Artwork

EVAL-AD7453



06235-010

Figure 10. AD7453 Evaluation Board Component Placement Drawing

ORDERING INFORMATION

BILL OF MATERIALS

Table 7.

Qty	Part Type	Reference Designator	Order No.
1	AD7453	U1	AD7453BRT
1	AD8022	U2	AD8022AR
1	NC7504M5	U3	FEC ¹ 685-914
1	AD780	U4	AD780AR
1	AD8021	U5	AD8021AR
1	AD713	U6	AD713JN
4	10 µF tantalum capacitor, 10 V	C1, C4, C5, C28	FEC 197-130
17	0.1 µF ceramic capacitor, SMD 0603	C2, C3, C6, C8, C10, C11, C14, C15, C19, C22, C24, C26, C27, C29, C31, C34, C35	FEC 699-675
1	1 nF ceramic capacitor, SMD 0603	C7	FEC 317-202
10	10 µF tantalum capacitor, 16 V	C9, C13, C16, C20, C21, C23, C25, C30, C32, C33	FEC 498-737
2	68 pF ceramic capacitor, SMD 0603	C17, C18	FEC 722-066
1	SC103C Schottky diode	D1	SD 103C
1	62 Ω 0.1 W, 0.1% resistor, SMD 0603	R1	FEC 357-1257
1	100 Ω 0.1 W, 0.1% resistor, SMD 0603	R2	FEC 911-122
1	390 Ω, 0.1 W, 0.1% resistor SMD 0603	R3	FEC 911-185
1	3 kΩ, 0.1 W, 0.1% resistor SMD 0603	R4	FEC 357-1452
5	1 kΩ, 0.1 W, 0.1% resistor, SMD 0603	R5, R7, R8, R9, R10	FEC 911-239
1	51 Ω, 0.1 W, 0.1% resistor SMD 0603	R6	FEC 357-1245
1	CON\41612\96 connector	J1	FEC 225-393
2	2-pin terminal block	J2, J4	FEC 151-785
1	3-pin terminal block	J3	FEC 151-786
10	2-way jumper (2 × 2)	LK1, LK3, LK5, LK9 to LK12, LK14 to LK16	FEC 511-791
3	3-way jumper (2 × 3)	LK2, LK4, LK8	FEC 511-780
3	1-way jumper (2 × 1)	LK6, LK7, LK13	FEC 511-705
16	Shorting link	LK1 to LK16	FEC 150-411
7	Gold 50 Ω SMB jack	P1 to P7	FEC 310-682
5	Test point	TP1, TP2, TP3, TP4, TP5	FEC 240-333
4	Stick-on feet	Each corner	FEC 148-922

¹ FEC = Farnell Electronics

ORDERING GUIDE

Model	Description
EVAL-AD7453CB	AD7453 Evaluation Board

ESD CAUTION



ESD (electrostatic discharge) sensitive device. Charged devices and circuit boards can discharge without detection. Although this product features patented or proprietary protection circuitry, damage may occur on devices subjected to high energy ESD. Therefore, proper ESD precautions should be taken to avoid performance degradation or loss of functionality.

EVAL-AD7453

NOTES