

PMCU-XXXX EMI/RFI COMMON MODE LINE FILTERS

LOW PROFILE-HORZ

- ① Rated Voltage: 250Vac, 45/400Hz
- ② $\leq 30^{\circ}\text{C}$ Temp Rise & Rated Current ⁽¹⁾
- ③ Operating Temp -40 to +80 $^{\circ}\text{C}$
- ④ Low Profile Horizontal Construction
- ⑤ 3750Vrms Isolation
- ⑥ Insulation Resistance @ 500Vdc >100M Ω

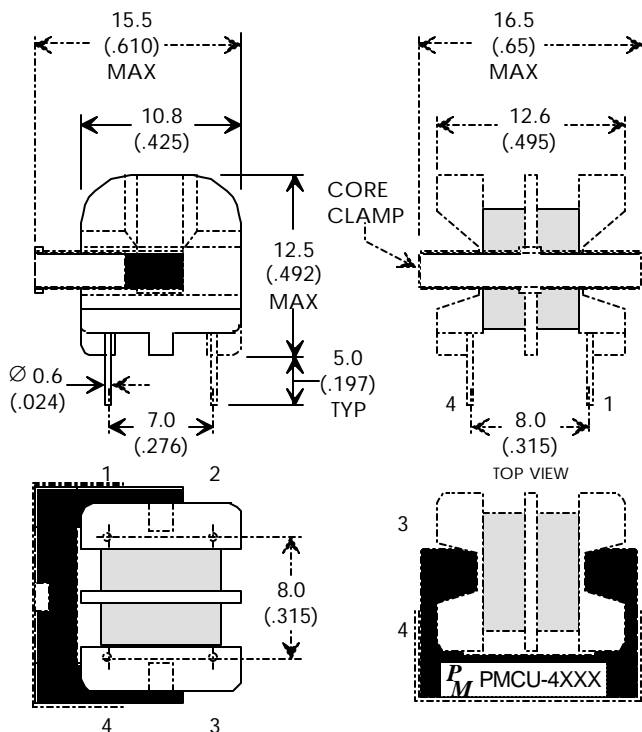
ELECTRICAL SPECIFICATIONS AT 25 $^{\circ}\text{C}$ - OPERATING TEMPERATURE RANGE -40 $^{\circ}\text{C}$ TO +80 $^{\circ}\text{C}$

| PART NUMBER | RATED RMS Current mA _{rms} | Load VA @ RMS Line | | INDUCTANCE @ 1KHz (mH Min.) | DCR EACH WINDING (Ohms Max.) | PACKAGE |
|-------------|--|-----------------------|--------|-----------------------------------|------------------------------------|---------|
| | | 115V | 230V | | | |
| PMCU-4470 | 150 | 17.25 | 34.50 | 47.0 | 6.90 | U9.8 |
| PMCU-4330 | 200 | 23.00 | 46.00 | 33.0 | 5.50 | U9.8 |
| PMCU-4220 | 250 | 28.75 | 57.50 | 22.0 | 3.70 | U9.8 |
| PMCU-4100 | 350 | 40.25 | 80.50 | 10.0 | 1.40 | U9.8 |
| PMCU-4056 | 450 | 51.75 | 103.50 | 5.6 | 0.75 | U9.8 |
| PMCU-4033 | 600 | 69.00 | 138.00 | 3.3 | 0.50 | U9.8 |
| PMCU-4015 | 800 | 92.00 | 184.00 | 1.5 | 0.30 | U9.8 |
| PMCU-4009 | 1000 | 115.00 | 230.00 | 0.9 | 0.16 | U9.8 |
| PMCU-4005 | 1500 | 172.50 | 345.00 | 0.5 | 0.12 | U9.8 |
| PMCU-4002 | 2000 | 230.00 | 460.00 | 0.2 | 0.06 | U9.8 |
| PMCU-4001 | 3000 | 345.00 | 690.00 | 0.1 | 0.03 | U9.8 |

Notes:

- (1) Temperature Rise is specified at maximum continuous current. Lower currents will result in reduced temperature rise. Design point is $\leq 30^{\circ}\text{C}$ rise at rated current.

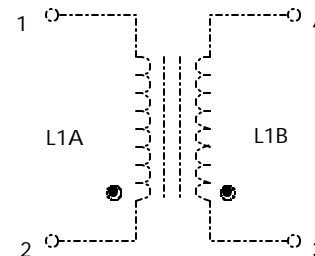
DIMENSIONS mm (IN)



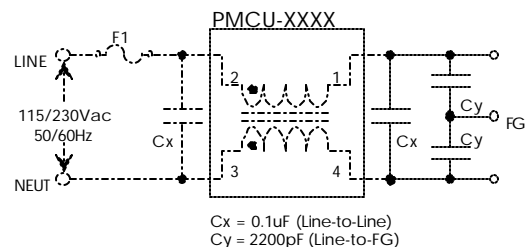
SCHEMATIC

PART IS REVERSIBLE.
IT CAN BE INSERTED INTO PCB EITHER WAY.

DOT ON BOBBIN
DENOTES PIN #1



TYPICAL APPLICATION CIRCUIT



PMCU-XXXX EMI/RFI COMMON MODE LINE FILTERS

LOW PROFILE-VERT

- ① Rated Voltage: 250Vac, 45/400Hz
- ② $\leq 30^{\circ}\text{C}$ Temp Rise & Rated Current ⁽¹⁾
- ③ Operating Temp -40 to +80 $^{\circ}\text{C}$
- ④ Low Profile Vertical Construction
- ⑤ 3750Vrms Isolation
- ⑥ Insulation Resistance @ 500Vdc >100M Ω

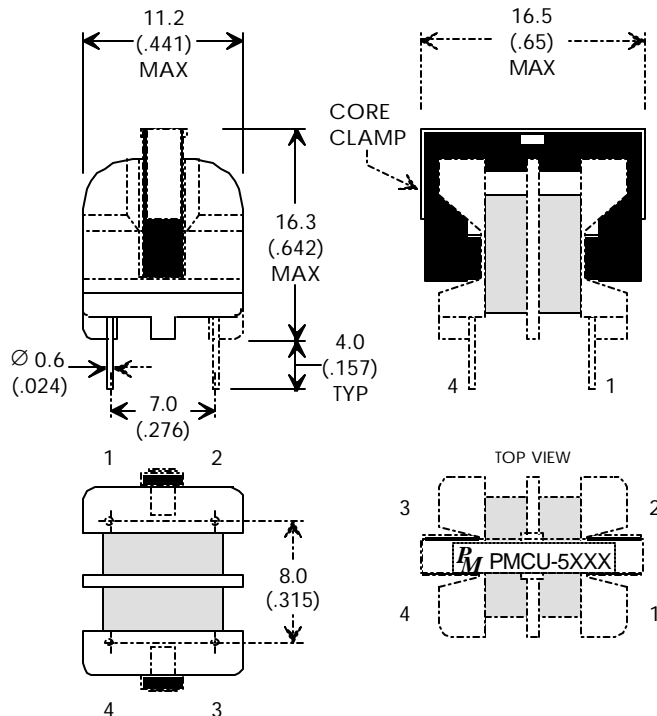
ELECTRICAL SPECIFICATIONS AT 25 $^{\circ}\text{C}$ - OPERATING TEMPERATURE RANGE -40 $^{\circ}\text{C}$ TO +80 $^{\circ}\text{C}$

| PART NUMBER | RATED RMS Current mA _{rms} | Load VA @ RMS Line | | INDUCTANCE @ 1KHz (mH Min.) | DCR EACH WINDING (Ohms Max.) | PACKAGE |
|-------------|--|-----------------------|--------|-----------------------------------|------------------------------------|---------|
| | | 115V | 230V | | | |
| PMCU-5470 | 150 | 17.25 | 34.50 | 47.0 | 6.90 | U9.8 |
| PMCU-5330 | 200 | 23.00 | 46.00 | 33.0 | 4.95 | U9.8 |
| PMCU-5220 | 250 | 28.75 | 57.50 | 22.0 | 3.70 | U9.8 |
| PMCU-5100 | 350 | 40.25 | 80.50 | 10.0 | 1.40 | U9.8 |
| PMCU-5056 | 450 | 51.75 | 103.50 | 5.6 | 0.75 | U9.8 |
| PMCU-5033 | 600 | 69.00 | 138.00 | 3.3 | 0.50 | U9.8 |
| PMCU-5015 | 800 | 92.00 | 184.00 | 1.5 | 0.30 | U9.8 |
| PMCU-5009 | 1000 | 115.00 | 230.00 | 0.9 | 0.16 | U9.8 |
| PMCU-5005 | 1500 | 172.50 | 345.00 | 0.5 | 0.12 | U9.8 |
| PMCU-5002 | 2000 | 230.00 | 460.00 | 0.2 | 0.06 | U9.8 |
| PMCU-5001 | 3000 | 345.00 | 690.00 | 0.1 | 0.03 | U9.8 |

Notes:

- (1) Temperature Rise is specified at maximum continuous current. Lower currents will result in reduced temperature rise. Design point is $\leq 30^{\circ}\text{C}$ rise at rated current.

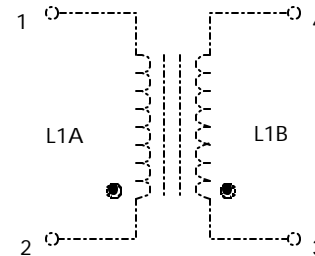
DIMENSIONS mm (IN)



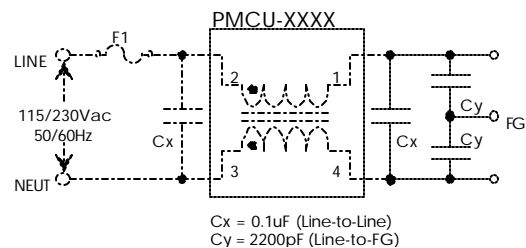
SCHEMATIC

PART IS REVERSIBLE.
IT CAN BE INSERTED INTO PCB EITHER WAY.

DOT ON BOBBIN
DENOTES PIN #1



TYPICAL APPLICATION CIRCUIT



Specifications subject to change without notice.

pmcu 12/98

PMCU-XXXX EMI/RFI COMMON MODE LINE FILTERS

MEDIUM POWER

- ① Rated Voltage: 250Vac, 45/400Hz
- ② $\leq 50^{\circ}\text{C}$ Temp Rise & Rated Current ⁽¹⁾
- ③ Operating Temp -40 to +80 $^{\circ}\text{C}$
- ④ Low Profile Construction
- ⑤ 3750Vrms Isolation
- ⑥ Insulation Resistance @ 500Vdc >100M Ω

ELECTRICAL SPECIFICATIONS AT 25°C - OPERATING TEMPERATURE RANGE -40°C TO +80°C

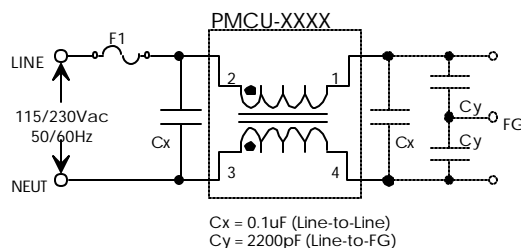
| PART NUMBER | RATED RMS Current Amps rms | Load VA @ RMS Line | | INDUCTANCE @ 1KHz (mH Min.) | DCR EACH WINDING (Ohms Max.) | PACKAGE |
|-------------|-------------------------------|-----------------------|--------|-----------------------------------|------------------------------------|---------|
| | | 115V | 230V | | | |
| PMCU-0470 | 0.35 | 40.25 | 80.50 | 47.0 | 2.40 | U10.5 |
| PMCU-0330 | 0.40 | 46.00 | 92.00 | 33.0 | 2.00 | U10.5 |
| PMCU-0220 | 0.50 | 57.50 | 115.00 | 22.0 | 1.20 | U10.5 |
| PMCU-0100 | 0.65 | 74.75 | 149.50 | 10.0 | 0.75 | U10.5 |
| PMCU-0056 | 1.00 | 115.00 | 230.00 | 5.6 | 0.40 | U10.5 |
| PMCU-0033 | 1.20 | 138.00 | 276.00 | 3.3 | 0.25 | U10.5 |
| PMCU-0015 | 1.80 | 207.00 | 414.00 | 1.5 | 0.11 | U10.5 |
| PMCU-2470 | 0.50 | 57.50 | 115.00 | 47.0 | 1.35 | U16 |
| PMCU-2330 | 0.60 | 69.00 | 138.00 | 33.0 | 1.00 | U16 |
| PMCU-2220 | 0.75 | 86.25 | 172.50 | 22.0 | 0.60 | U16 |
| PMCU-2100 | 1.00 | 115.00 | 230.00 | 10.0 | 0.34 | U16 |
| PMCU-2056 | 1.40 | 161.00 | 322.00 | 5.6 | 0.15 | U16 |
| PMCU-2033 | 2.00 | 230.00 | 460.00 | 3.3 | 0.10 | U16 |
| PMCU-2015 | 2.70 | 287.50 | 575.00 | 1.5 | 0.04 | U16 |

Notes:

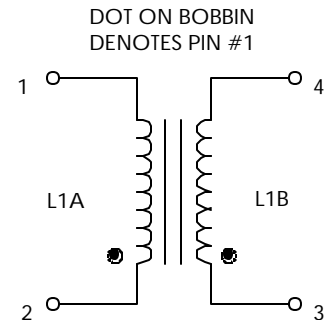
- (1) Temperature Rise is specified at maximum continuous current. Lower currents will result in reduced temperature rise. Design point is $\leq 50^{\circ}\text{C}$ rise at rated current.

APPLICATION

TYPICAL APPLICATION CIRCUIT



SCHEMATIC

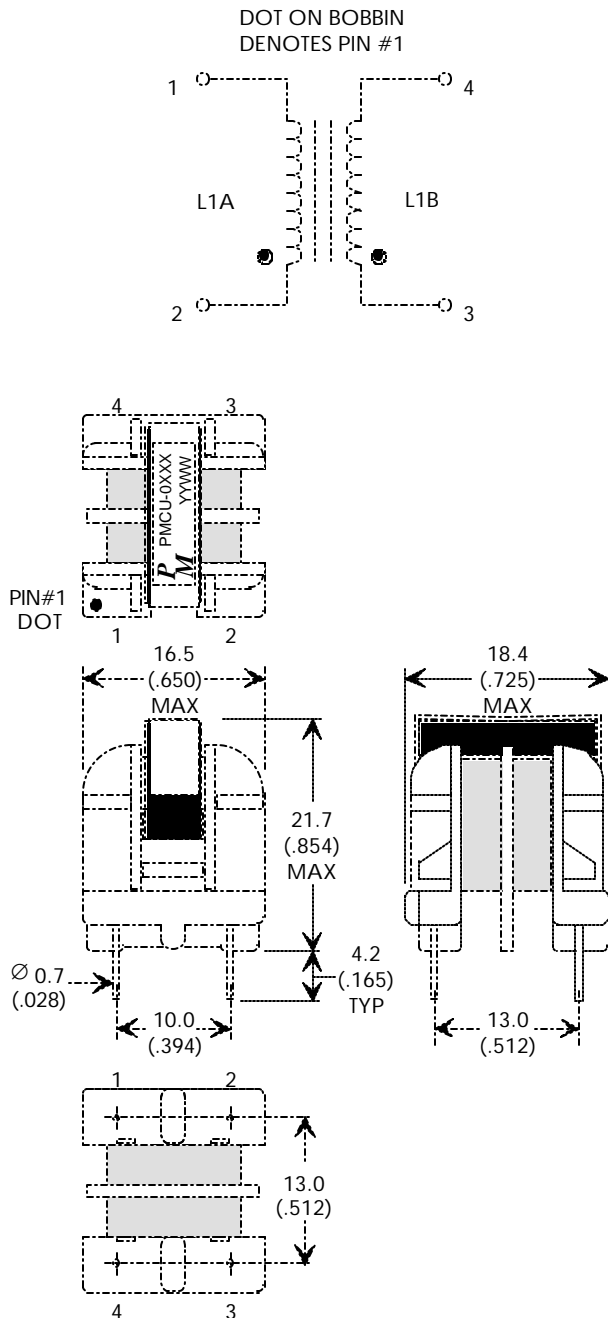


PMCU-XXXX EMI/RFI COMMON MODE LINE FILTERS

PMCU-0XXX U10.5

Dimensions in mm (inches)

PART IS REVERSIBLE.
IT CAN BE INSERTED INTO PCB EITHER WAY.



PMCU-2XXX U16

Dimensions in mm (inches)

PART IS REVERSIBLE.
IT CAN BE INSERTED INTO PCB EITHER WAY.

