

**PULSE-WIDTH-MODULATION CONTROL CIRCUITS****AZ7500B/C****Description**

The AZ7500B/C is a voltage mode pulse width modulation switching regulator control circuit designed primarily for power supply control. The AZ7500B/C consists of a reference voltage circuit, two error amplifiers, an on-chip adjustable oscillator, a dead-time control (DTC) comparator, a pulse-steering control flip-flop, and an output control circuit. The precision of voltage reference (V_{REF}) is improved up to $\pm 1\%$ through trimming and this provides a better output voltage regulation. The AZ7500B/C provides for push-pull or single-ended output operation, which can be selected through the output control.

Features

- Stable 4.95V/5V Reference Voltage Trimmed to $\pm 1.0\%$ Accuracy
- Uncommitted Output TR for 200mA Sink or Source Current
- Single-End or Push-Pull Operation Selected by Output Control
- Internal Circuitry Prohibits Double Pulse at Either Output
- Complete PWM Control Circuit with Variable Duty Cycle
- On-Chip Oscillator With Master or Slave Operation

Applications

- SMPS
- Back Light Inverter
- Charger

Parametric Table

Reference Voltage (V)	AZ7500B	4.95
	AZ7500C	5
Reference Voltage Tolerance		1%
Frequency Change with Temperature (Max)		1%
Open Loop Voltage Gain (db)		95
Unity-Gain Bandwidth (KHz)		650
Output Saturation Voltage (Common Emitter) (V)		1.1
Rise Time (ns)		100
Fall Time (ns)		25
Supply Voltage (V)		7 to 36
Package	DIP-16	
	SOIC-16	

Benefits

- Higher Power Glitch Rejection
- Very competitive price

Additional Available Materials

- Samples
- Preliminary Datasheet
- Reliability Report
- ESD Report
- Application Notes
- Demo Board

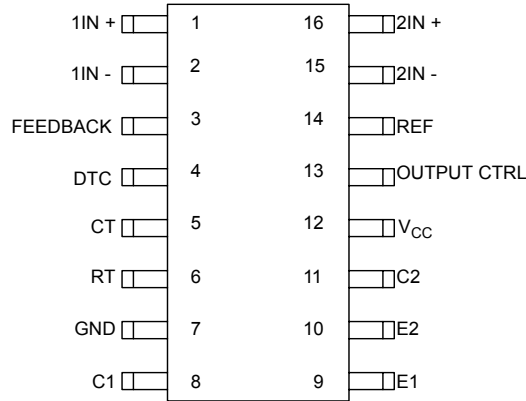


PULSE-WIDTH-MODULATION CONTROL CIRCUITS

AZ7500B/C

Pin Configuration

SOIC-16 / DIP-16



Ordering Information

Package	Temperature Range	Part Number		Marking ID		Packing Type
		Tin Lead	Lead Free	Tin Lead	Lead Free	
SOIC-16	-40 to 85°C	AZ7500BM	AZ7500BM-E1	AZ7500BM	AZ7500BM-E1	Tube
		AZ7500BMTR	AZ7500BMTR-E1	AZ7500BM	AZ7500BM-E1	Tape & Reel
		AZ7500CM	AZ7500CM-E1	AZ7500CM	AZ7500CM-E1	Tube
		AZ7500CMTR	AZ7500CMTR-E1	AZ7500CM	AZ7500CM-E1	Tape & Reel
DIP-16		AZ7500BP	AZ7500BP-E1	AZ7500BP	AZ7500BP-E1	Tube
		AZ7500CP	AZ7500CP-E1	AZ7500CP	AZ7500CP-E1	Tube

Detailed information please refer to the relevant datasheet.

Sales Office:

USA

3170 De La Cruz Blvd, Suite # 105 Santa Clara, CA 95054-2411, U.S.A
 Tel : +1-408-988 6388
 Fax : +1-408-988 6386

Shanghai

8F, B Zone, 900 Yi Shan Road, Shanghai 200233, China
 Tel : 86-21-6495 9539
 Fax : 86-21-6485 9673

Taiwan

4F, 298-1 Rui Guang Road, Nei-Hu District, Taipei, Taiwan
 Tel : 886-2-2656-2808
 Fax : 886-2-2656-2806

Shenzhen

Room 27B, Tower C, No. 2070, Shennanzhong Road, Shenzhen 518031, China
 Tel : 86-755-8368 3987
 Fax : 86-755-8368 3166