

**300mA ULTRA LOW-DROPOUT PMOS MICROPOWER REGULATORS**

PRELIMINARY DATA SHEET

**DESCRIPTION**

The NX113x series are PMOS LDO regulators optimized for battery operated systems to deliver low noise, low dropout voltage while maintaining low quiescent current. The device is ideal for all portable applications such as PDAs, notebook computers, mobile phone or similar battery powered applications. It provides a minimum of 300mA current from 2.5V to 5.5V input making it ideal for single cell Lithium Ion battery applications. The NX113x parts consumes less than 1uA current during the shut down mode.

The NX1130 is available in 6-pin MPLD package with ADJ pin available which offers programmable output voltage. NX1131,32,33 offer fixed output voltage: 1.5V, 1.8V, 2.5V, 2.85V and 3.3V.

**FEATURES**

- 2.5 to 5.5V input voltage range
- 300mA Output Current Capability
- Stable with ceramic output capacitor
- < 1uA quiescent current at shut down
- Enable pin available (all products)
- Pgood Output Flag (NX1130/1131/33)
- BYP pin reduces output noise(NX1131/1132)
- Adjustable output from 1.25V to 4.5V(NX1130)
- 1.5V, 1.8V, 2.5V, 2.85V and 3.3V fixed output available(NX1131/1132/1133)

**APPLICATIONS**

- Notebook and PDA Computers
- Wireless handsets
- Handheld Instruments
- PCMCIA Cards
- Digital Cameras

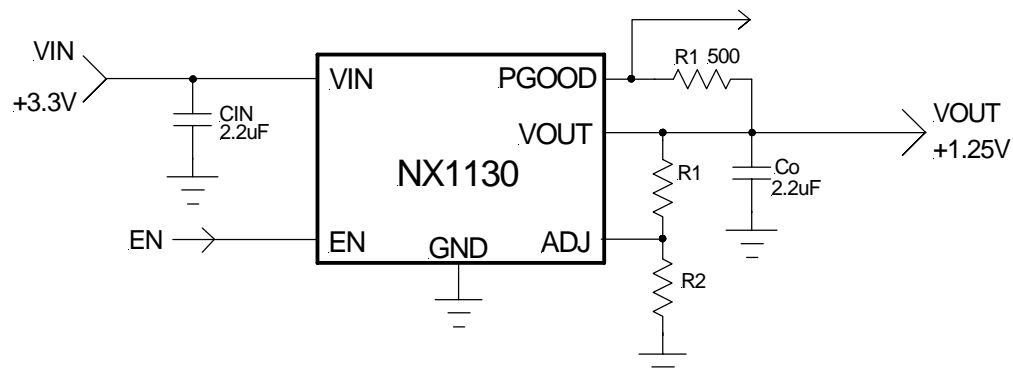
**TYPICAL APPLICATION**

Figure1 - Typical application of 1130

**ORDERING INFORMATION**

Device	Temperature	Package	Output Voltage	PGOOD	BYP
NX1130CMTR	0 to 70°C	MLPD-6L	ADJUSTABLE	Yes	NO
NX1131-XXCMTR	0 to 70°C	MLPD-6L	FIXED	Yes	Yes
NX1132-XXCZ1TR	0 to 70°C	SOT23-5L	FIXED	NO	Yes
NX1133-XXCZ1TR	0 to 70°C	SOT23-5L	FIXED	Yes	NO

Note: Fixed output voltage identification for NX1131,32 and 33.

XX=15	Fixed Output Voltage=1.5V
=18	=1.8V
=25	=2.5V
=28	=2.85V
=33	=3.3V