

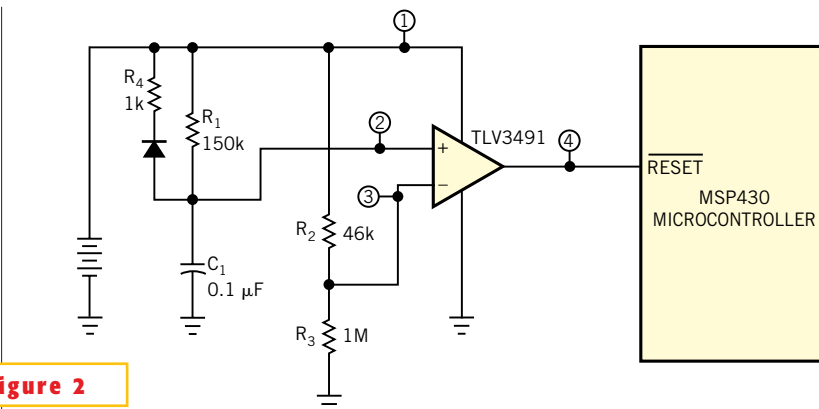
Edited by Bill Travis

## Reset supervisor waits for stable supply

Mike Mitchell, Texas Instruments, Dallas, TX

**T**HE POWER-UP CYCLE of the supply voltage in embedded-system applications is sometimes not a clean event. This fact holds especially true in battery-operated systems, because the insertion of a battery often causes significant ringing or glitching on the supply line (Figure 1). In products with on-off switches, the contact bounce of the switch can cause an unclean power-up. A power-up cycle such as the one in Figure 1 can often cause a processor to enter a brownout condition. This condition constitutes an errant condition of the

processor, which requires a reset to take place before the processor behaves as expected. The processor is often “lost” or “in the weeds” during a brownout condition. Usually, a reset supervisor controls the reset line to the processor and thus avoids the brownout condition. Traditional supply-voltage-supervisor circuits hold the processor in reset until the supply voltage reaches a predetermined value. They also reset the processor if the voltage dips below the predetermined value. However, the level at which the SVS operates often does not suit the system. For example, the level may be lower than the minimum operating voltage of the processor, or it may be higher than the desired operating voltage of the system. The reset circuit in Figure 2 provides a reset to the processor based on stabilization



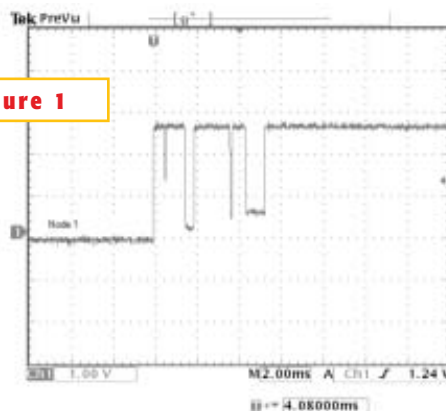
**Figure 2**

This circuit resets a processor based on the stabilization time of the supply voltage.

of the supply voltage and not on a predetermined value.

The circuit uses a TLV3491 from Texas Instruments (www.ti.com). The comparator draws approximately 1 µA and operates from 1.8 to 5.5V, making it well-adapted to battery-operated applications. The input to the minus terminal is a simple resistor divider. The resistor values should be relatively high to reduce the power consumption of the circuit. The input to the plus terminal is basically an RC circuit. The RC time constant provides a tunable power-up delay. When you apply power or insert a battery, the output of the comparator is low, holding the processor in the reset condition. The plus input of the comparator becomes higher than the minus input only after the supply voltage stabilizes, resulting in a high output state and thus releasing the processor for operation. The stabilization time for the supply voltage depends on the RC-network component values. Here, the use of low-value resistors carries no penalty, because no current flows through the RC network after

**Figure 1**



Insertion of a battery supply often results in glitching and ringing.

supply stabilization. By selecting  $R_1$ ,  $C_1$ ,  $R_2$ , and  $R_3$ , you can guarantee a reliable reset signal to the processor for a given  $dV/dt$  for  $V_{CC}$ . The equations for the voltages at the comparator’s inputs are:

$$V^+ = V_{CC} - V_{CC} e^{-\frac{t}{R_1 C_1}}$$

$$V^- = V_{CC} \frac{R_3}{R_2 + R_3}$$

To hold the processor in reset, you

Reset supervisor waits for stable supply .....91

Small circuit forms programmable 4- to 20-mA transmitter .....92

High-side current sensor monitors negative rail .....96

Transconductance amp gives oscillator reciprocal response.....98

**Publish your Design Idea in EDN. See the What's Up section at www.edn.com.**

need the condition  $V^- > V^+$ . That condition yields:

$$V_{CC} \frac{R_3}{R_2 + R_3} > V_{CC} - V_{CC} e^{-\frac{t}{R_1 C_1}}$$

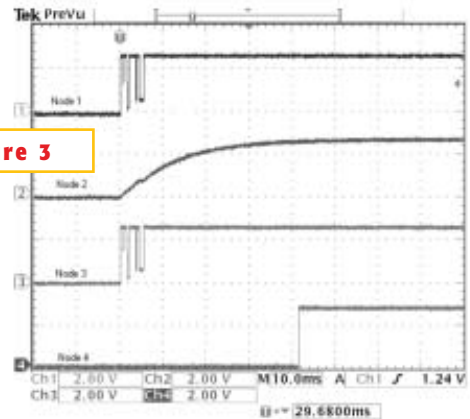
Solving for t, you obtain

$$t < -R_1 C_1 \ln \left( \frac{R_2}{R_2 + R_3} \right)$$

From the last equation, you can calculate the amount of time the processor stays in reset. Therefore, as long as the supply ramps to a steady state in a shorter time, you're guaranteed a reliable reset. The reverse-biased diode and resistor  $R_4$  provide a faster discharge path for the capacitor. This fast discharge allows the circuit to quickly react to negative glitches in the supply voltage during normal operation, in which it may be desirable to reset the processor.  $R_4$  allows you to tune the response time of the circuit for any expected supply-voltage glitches. Removal of the resistor yields the fastest response time to supply-voltage glitches but may result in undesired resets for the processor. The

pullup resistor at the output of the comparator is necessary because of the comparator's open-drain output. The capacitor at the comparator's output smooths any fast switching the comparator may encounter.

The current consumption of the circuit in **Figure 2** is approximately 1  $\mu$ A (the current consumption of the comparator) plus the current through  $R_2$  and  $R_3$ . The circuit costs less than many dedicated supply-voltage supervisors. **Figure 3** illustrates the performance of the circuit. **Figure 3** is a scope capture of the same battery insertion of **Figure 1**. The top trace is the supply voltage; the next trace is the positive input to the comparator. The negative input to the comparator is the next trace, and the bottom trace is the comparator's output (connected to the microcontroller's reset pin). You can clearly see that the circuit holds the processor in reset until the



**Figure 3**

The circuit in **Figure 2** enables the processor well after the stabilization of the power-supply voltage.

supply stabilizes. Thus, the performance depends not on any predefined supply-voltage level, but rather on stabilization time.

**Is this the best Design Idea in this issue?** Select at [www.edn.com](http://www.edn.com).

## Small circuit forms programmable 4- to 20-mA transmitter

Alan Li and Jeritt Kent, Analog Devices, Bellevue, WA

ONE OF THE KEY challenges in the design of 4- to 20-mA current transmitters is the voltage-to-current conversion stage. Conventional transmitters use multiple op amps and transistors to perform the conversion function. These approaches have been around for a long time, but they are usually inflexible, have poor power efficiency, and have limited current compliance. An improved Howland current pump, on the other hand, can be cost-effective, because it addresses the cited problems. In addition, it closely models an ideal current source with the potential for nearly infinite output impedance. **Figure 1** shows the improved Howland-current-pump topology, implemented with a high-resolution DAC, a precision reference, and a high-current op amp. Analyzing the circuit in **Figure 1** (neglecting the loading effects at the output of  $IC_3$ ), the voltage at  $V_x$  is  $V_x = (V_{REF} \times D) / 2^N$ , where D is the

decimal equivalent of the DAC's digital code and N is the number of bits.

Analyzing nodes  $V_L$  and  $V_N$ , you obtain

$$I_L = \frac{V_{OUT} - V_L}{R'_3} - \frac{V_L}{R'_1 + R'_2} \quad (1)$$

$$\frac{V_N - V_X}{R_1} = \frac{V_{OUT} - V_N}{R_2 + R_3} \quad (2)$$

Because  $V_N$  and  $V_P$  are virtually shorted, you obtain

$$V_N = \frac{R'_1}{R'_1 + R'_2} V_L \quad (3)$$

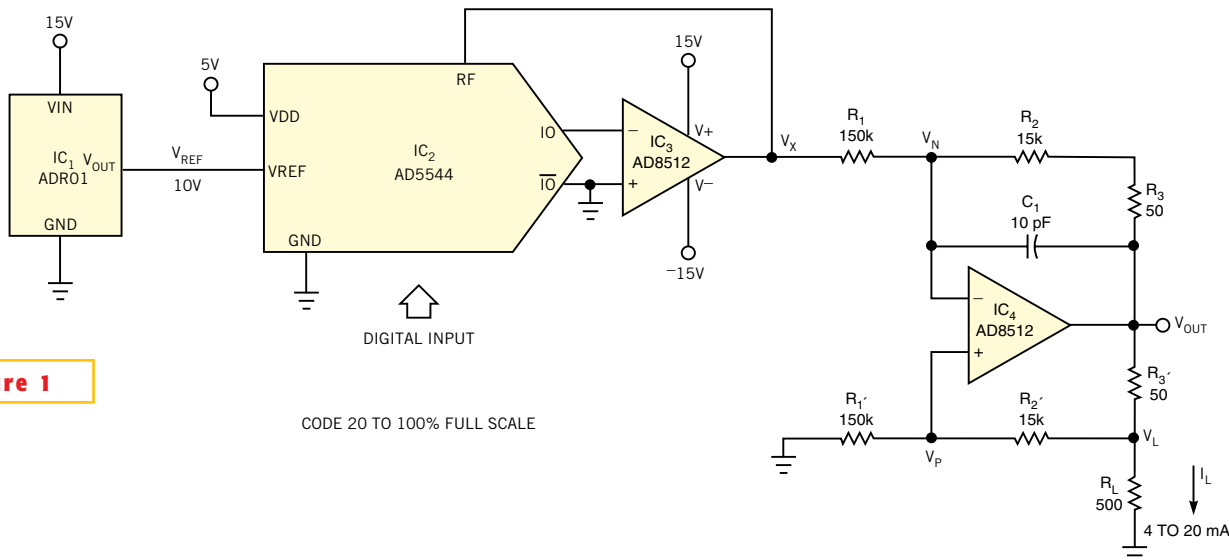
Substituting  $V_N$  and  $V_{OUT}$ ,  $I_L$  becomes

$$I_L = \frac{(R_2 + R_3) / R_1}{R'_3} V_X + \frac{(R'_1 R_2 - R_1 R'_2) + (R'_1 R_3 - R_1 R'_3)}{R_1 R'_3 (R'_1 + R'_2)} V_L \quad (4)$$

Making  $R_1 = R'_1$ ,  $R_2 = R'_2$ , and  $R_3 = R'_3$  simplifies **Equation 4** to

$$I_L = \frac{(R_2 + R_3) / R_1}{R'_3} \cdot \frac{V_{REF} \cdot D}{2^N} \quad (5)$$

According to **Equation 5**, you can use  $R'_3$  to set the circuit's sensitivity. You can make  $R'_3$  as small as necessary to achieve the desired current and improve the load range. As an alternative, you can make the other resistors large to keep the quiescent current low for high power efficiency. The improved Howland current pump is flexible. It offers both current-sink and -source capability. The input voltage at  $V_x$  is polarity-insensitive; you can apply it to either  $R_1$  or  $R'_1$ . You can connect the load to the supply rail as a high-side load, or you can refer it to a low-side supply or ground (**Figure 1**). Further, one of the primary advantages of this topology is that the current pump provides poten-



**Figure 1**

An improved Howland current pump forms the heart of this precision 4- to 20-mA transmitter.

tially infinite output impedance, like that of an ideal current source. However, you must pay strict attention to resistor matching. You can see the importance of matching by examining the circuit's output impedance. If you ground all inputs and apply a test voltage at  $V_L$ , you can see that

$$Z_{OUT} = \frac{V(t)}{I(t)} = \frac{R_1 R'_3 (R'_1 + R'_2)}{R'_1 (R_2 + R_3) - R_1 (R'_2 + R'_3)} \quad (6)$$

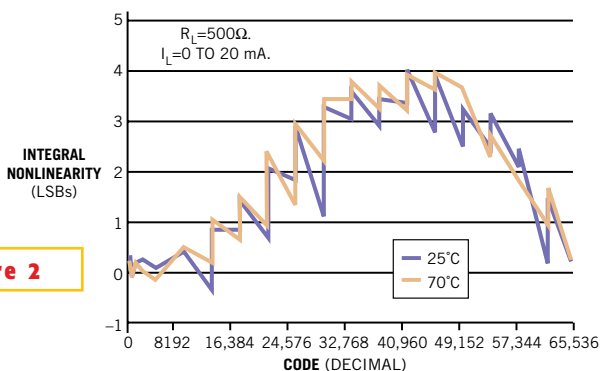
Equation 6 shows that, if the resistors are perfectly matched,  $Z_{OUT}$  is infinite. Infinite output impedance is a desirable characteristic of a current source because the resistance of the load does not affect the current flowing in the load. On the other hand, if the resistors are not matched,  $Z_{OUT}$  can be either positive or negative. Negative  $Z_{OUT}$  causes instability because of the existence of a right-half-plane pole in the s-plane domain. Any amount of parasitic capacitance—from poor pc-board layout, op-amp differential capacitance, or both—at the inverting node of  $IC_4$  could cause instability or worse. These parasitics, along with  $R_3$ , introduce a zero into the noise-gain transfer function, resulting in a slope of 20 dB per decade. If the noise-gain transfer function of the amplifier intersects with

the open-loop response at a slope (rate of closure) equal to or greater than 40 dB per decade and the open-loop gain at the intersection exceeds unity, then the circuit is likely to be unstable. The circuit may ring, show gain peaking, or conditionally oscillate after a step function in the DAC adjustment.

An effective approach to the stability problem is to insert a pole into the noise-gain transfer function by adding a compensation capacitor,  $C_1$ . This capacitor creates a pole to keep the rate of closure at 20 dB per decade. Optimum compensation occurs when  $R_1 C_{PARASITIC} = R_2 C_1$ . Because  $C_{PARASITIC}$  is unknown, you should determine  $C_1$  empirically to obtain optimum results. In general,  $C_1$  in the range of some tenths of a picofarad to a few picofarads satisfies compensation

requirements. Note that optimum compensation attempts to balance the fact that a small  $C_1$  cannot compensate for all possible causes of oscillation, whereas large values of  $C_1$  could adversely affect the settling time of any DAC. Consider the following design objectives: 16-bit programmability, four channels, small form factor, a maximum ground-referred load of 500Ω with 10V compliance, 90% minimum efficiency, and 50-mW maximum dissipation from each resistor.

Given the requirements of small form factor and high precision, the design in Figure 1 uses  $IC_2$ , the a 16-bit current-output AD5544 DAC, with an external op amp instead of a voltage-output DAC. You face some important trade-offs in deciding whether to use a current-output or a voltage-output DAC. Current-output devices typically cost less than voltage-output DACs. The design must convert the current to a voltage to run the current pump, and the external op amp determines the accuracy of this conversion. Thus, you have control of the amount of accuracy as your application requires. Voltage-output DACs generally cost more than current-output devices because the current-to-voltage conversion takes place in the package, entailing the inclusion of an op amp. Al-



**Figure 2**

Integral-nonlinearity errors from the circuit in Figure 1 don't exceed 4 LSBs at 16-bit resolution.

though a voltage-output DAC reduces component count in this design, you have to accept a particular accuracy figure based on the specifications of the op-amp buffer inside the DAC. Both approaches typically require an external reference. In the end, a current-output approach yields the highest accuracy at comparable cost and board space.

Although IC<sub>3</sub>, which performs the current-to-voltage conversion, can be almost any precision op amp using ±15V supplies, IC<sub>4</sub> requires adequate current-driving capability to handle the maximum 20-mA load. The improved Howland current pump is insensitive to load-resistance perturbations. Only IC<sub>4</sub>'s supply voltages limit the compliance voltage. A 500Ω load, for example, can place V<sub>L</sub> as high as 10V at 20-mA load current. This scenario sets V<sub>OUT</sub> at 11V, requiring the

op amp to swing within 4V of the positive rail. The AD8512 dual op amp can drive 20 mA into a 500Ω load using ±15V supplies. However, IC<sub>4</sub>'s output-voltage swing is likely to limit resistive loads to 500Ω in this application. This design uses the 10V ADR01 reference because it is precise and compact.

To minimize the power in the resistors, you start with R<sub>3</sub>' = 50Ω. R<sub>3</sub>' is in the direct load-current path, and it carries just slightly more current than the load, assuming R<sub>2</sub>' + R<sub>1</sub>' >> R<sub>1</sub>'. At the 20-mA peak current, the power dissipation is just above 20 mW. With the limited headroom between the supply and the compliance voltages, you should scale the ratio between R<sub>2</sub> and R<sub>3</sub> such that the additional gain does not saturate IC<sub>4</sub>. As a result, you should choose R<sub>2</sub> to be 10 times smaller than R<sub>1</sub>. Using Equation 5

and the resistance-matching criteria, you obtain the following values: R<sub>1</sub> = R<sub>1</sub>' = 150 kΩ; R<sub>2</sub> = R<sub>2</sub>' = 15 kΩ, and R<sub>3</sub> = R<sub>3</sub>' = 50Ω. It's desirable to add a 1- to 10-pF capacitor, C<sub>1</sub>, to the negative-feedback path to avoid possible oscillation arising from eventual resistor mismatch.

A 16-bit, programmable, 4- to 20-mA current transmitter theoretically has 0.3-μA resolution. The actual measured performance of the circuit in Figure 1 shows that the worst-case integral-nonlinearity error is approximately 4 LSBs. This error is equivalent to 1.2 μA, or 0.006% total system error, well within most systems' requirements. Figure 2 shows the measured results at 25 and 70°C.

**Is this the best Design Idea in this issue?** Select at [www.edn.com](http://www.edn.com).

## High-side current sensor monitors negative rail

Ken Yang, Maxim Integrated Products, Sunnyvale, CA

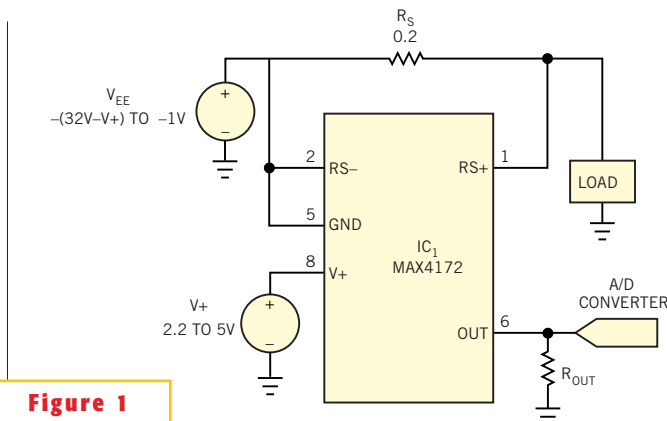
**A**LL DEDICATED current-sense amplifiers provide high-side sensing on a positive supply, but you can adapt such circuits for monitoring a negative supply (Figure 1). The positive-supply pin, V+, connects to the system's positive supply, and the ground pin, GND, connects to the negative supply, V<sub>EE</sub>. That arrangement monitors the negative supply and provides a positive output voltage for the external interface—typically, an A/D converter. The RS+ pin of the

current-sense amplifier, IC<sub>1</sub>, connects to the load, and the RS- pin connects to the negative supply. IC<sub>1</sub>'s current-source output drives a current that is proportional to load current flowing to ground, not to the GND pin. Output resistor R<sub>OUT</sub> converts the current to a voltage, which an optional ADC then digitizes.

Saturation in the internal transistors, which occurs at approximately ((V+) - 1.2V), limits the maximum output voltage. Thus, V+ must exceed the full-scale

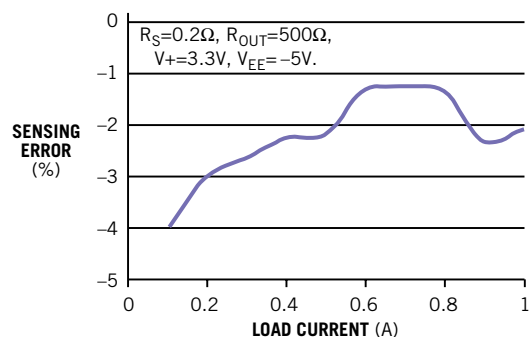
output by at least 1.2V. If, for instance, the full-scale output is 1V, then V+ ≥ 2.2V. To meet the device's maximum and minimum operating voltages, 0 ≥ V<sub>EE</sub> ≥ -(32 - V+), and ((V+) - V<sub>EE</sub>) ≥ 3V. Figure 2 shows the variation of current measurement accuracy with load current.

**Is this the best Design Idea in this issue?** Select at [www.edn.com](http://www.edn.com).



**Figure 1**

Connecting this positive-supply monitor allows it to monitor a negative current and generate a positive output voltage for the ADC.



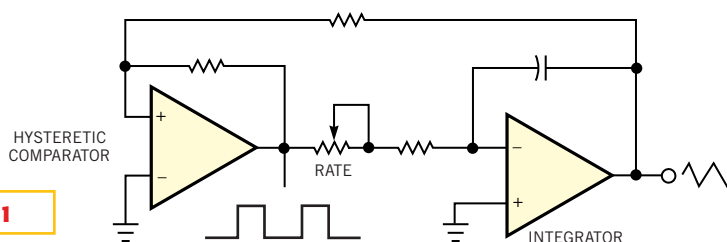
**Figure 2**

The current-sensing error of the circuit in Figure 1 varies with load current.

# Transconductance amp gives oscillator reciprocal response

Mike Irwin, Shawville, PQ, Canada

**T**HE CIRCUIT IN **Figure 1** is a variation on the familiar integrator/comparator triangle-wave oscillator, which you typically implement with two op amps. An integrator and a comparator connect in a positive-feedback loop; the comparator drives the integrator and vice versa. A fixed amount of hysteresis exists in the comparator, producing a triangle wave at the integrator's output. The wave oscillates between the fixed threshold voltages. You can vary the oscillation rate using a potentiometer to set the integrator's gain and thus obtain a constant-amplitude, variable-frequency, triangle-wave output. In the circuit of **Figure 2**, the integrator's gain is fixed, whereas the comparator's hysteresis is



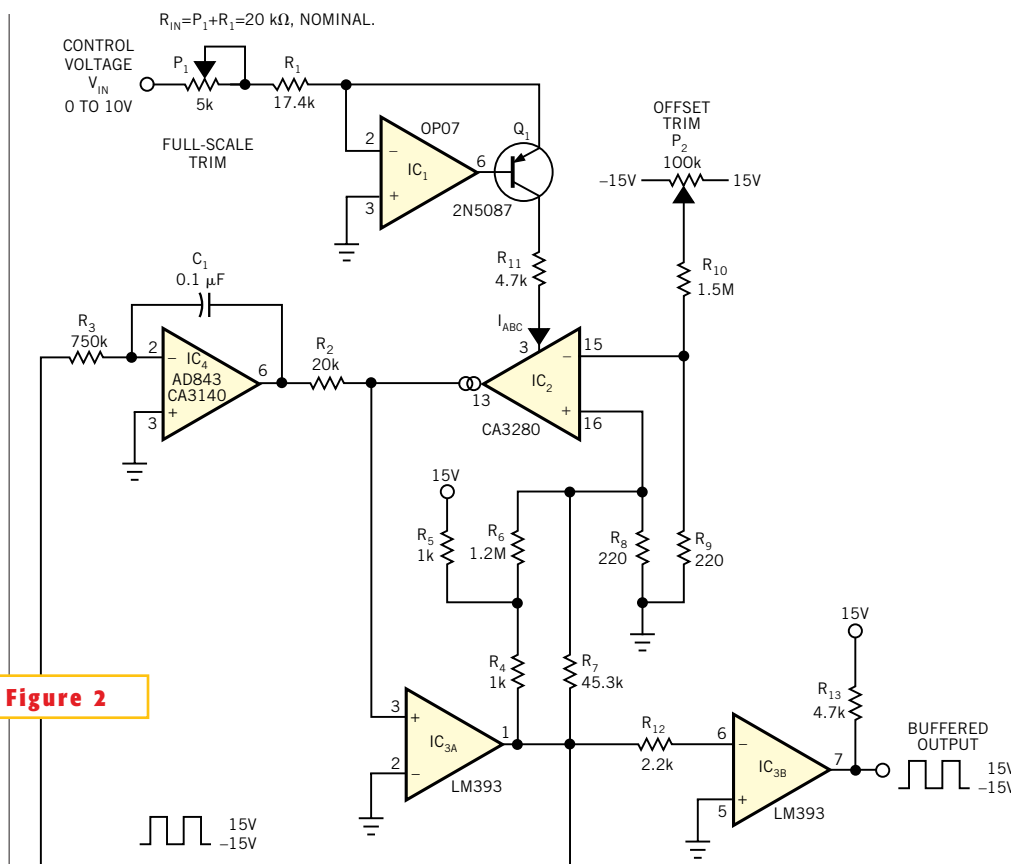
**Figure 1**

This circuit is a classic triangle-wave generator, using an integrator and a comparator with hysteresis.

variable. An OTA (operational transconductance amplifier), IC<sub>2</sub>, sets the hysteresis, producing an oscillator in which the period is a linear function of an externally applied voltage. The oscillation rate is inversely proportional to the control volt-

age; in other words, the oscillator has a 1/x response. Such an oscillator is useful in A/D-converter applications and for clocking time-delay systems, such as audio-delay lines.

In **Figure 2**, R<sub>3</sub> and the ±15V output of comparator IC<sub>3A</sub> fix the integrator current at ±20 μA. The integrator produces a triangle of fixed ±200V/sec slope, and the peak amplitude is a function of the hysteresis. OTA IC<sub>2</sub> provides voltage control of the hysteresis. With increasing V<sub>IN</sub>, the hysteresis and triangle-wave peak-to-peak amplitude increase, consequently increasing the oscillator period, T. The triangle wave's amplitude changes from approximately 1 mV p-p to a maximum of 20V p-p as V<sub>IN</sub> varies from 0 to 10V. With the same V<sub>IN</sub> span, the period increases from 20 μsec to 200 msec. IC<sub>1</sub> and Q<sub>1</sub> form a linear voltage-controlled current source that supplies bias current, I<sub>ABC</sub>, to the OTA. The current I<sub>ABC</sub> = V<sub>IN</sub>/R<sub>IN</sub>. You can see that I<sub>ABC</sub> increases from 0 to 0.5 mA as V<sub>IN</sub> varies from 0 to 10V. The OTA is a switched-current generator, producing a bidirec-



**Figure 2**

This VCO uses an OTA and a hysteretic comparator to deliver a reciprocal (1/x) response to the control voltage.

tional output current approximately equal in amplitude to  $I_{ABC}$ , when it receives drive from the comparator's open-collector output.

The OTA sources current when the comparator's output is 15V and sinks an identical current when the output is -15V. Pullup resistors  $R_4$  and  $R_5$ , along with resistors  $R_6$  through  $R_9$ , provide a symmetrical  $\pm 70$ -mV drive to the OTA's noninverting input. The high-compliance output of the OTA provides hysteresis by translating the voltage at the comparator's noninverting input up and down by the amount  $R_2 I_{ABC} = R_2 V_{IN} / R_{IN}$ . The resulting threshold voltages are symmetrical around the comparator's input offset voltage. This symmetry reduces the effect of offset voltage on the oscillator's period. This design uses an LM393 comparator for its relatively low maximum bias current of 25 nA. The comparator's output changes state when the integrator's output begins to exceed the thresh-

old voltage set by hysteresis, reversing the direction of the OTA's output current and the threshold polarity. This action makes the integrator's slope reverse and initiates the next half-cycle.

You can calculate the oscillator's period as follows:

$$T = \frac{4I_{ABC}R_2C}{I_{INT}} = \frac{4(V_{IN}/R_{IN})R_2C}{V_{SUPPLY}/R_3}$$

For the given component values,

$$T = \frac{4(V_{IN}/20 \text{ k}\Omega)(20 \text{ k}\Omega) 10^{-7}}{15\text{V}/750 \text{ k}\Omega} =$$

$$0.02V_{IN}(\text{SEC}).$$

$$\text{RATE} = \frac{50}{V_{IN}}(\text{Hz}).$$

Potentiometer  $P_1$  sets the full-scale period for  $V_{IN} = 10\text{V}$ , and  $P_2$  nulls the OTA's input offset voltage to optimize the performance at small values of  $V_{IN}$ . With the component values shown, the circuit

covers a three-decade range from 200  $\mu\text{sec}$  to 200 msec with lower than 1% linearity error. The error increases to 2% for  $T = 100 \mu\text{sec}$ . With a 10-nF integrator capacitor, the circuit oscillates at frequencies as high as approximately 150 kHz ( $T = 6.7 \mu\text{sec}$ ). The CA3280 OTA provides the best performance in this circuit, thanks to its excellent offset specifications. Using the CA3080 and LM13600 in the circuit reduces performance. The integrator op amp should have low input-bias current and high-speed response to minimize ringing on triangle peaks. The AD843 and CA3140 both work well. You could add temperature compensation by including a thermistor in the OTA's input-attenuator circuit. Finally, note that you should use polystyrene or polypropylene capacitors in the integrator.

**Is this the best Design Idea in this issue?** Select at [www.edn.com](http://www.edn.com).