



ARCHIVED BY FREESCALE SEMICONDUCTOR, INC. 2005

2.0 GHz Super Low Power Dual Modulus Prescaler

The MC12054A is a super low power dual modulus prescaler used in phase-locked loop applications. Motorola's advanced Bipolar MOSAIC™ V technology is utilized to achieve low power dissipation of 5.4 mW at a minimum supply voltage of 2.7 V.

The MC12054A can be used with CMOS synthesizers requiring positive edges to trigger internal counters such as Motorola's MC145XXX series in a PLL to provide tuning signals up to 2.0 GHz in programmable frequency steps.

A Divide Ratio Control (SW) permits selection of a 64/65 or 128/129 divide ratio as desired.

The Modulus Control (MC) selects the proper divide number after SW has been biased to select the desired divide ratio.

- 2.0 GHz Toggle Frequency
- The MC12054 is Pin and Functionally Compatible with the MC12031
- Low Power 2.0 mA Typical
- 2.6mA Maximum, -40 to 85°C, V_{CC} = 2.7 to 5.5 Vdc
- Short Setup Time (t_{set}) 10ns Maximum @ 2.0 GHz
- Modulus Control Input Level is Compatible with Standard CMOS and TTL
- Maximum Input Voltage Should Be Limited to 6.5 Vdc

MOSAIC V is a trademark of Motorola

FUNCTIONAL TABLE

SW	MC	Divide Ratio
H	H	64
H	L	65
L	H	128
L	L	129

NOTES: 1. SW: H = V_{CC}, L = Open. A logic L can also be applied by grounding this pin, but this is not recommended due to increased power consumption.
2. MC: H = 2.0 V to V_{CC}, L = GND to 0.8 V.

MAXIMUM RATINGS

Characteristic	Symbol	Range	Unit
Power Supply Voltage, Pin 2	V _{CC}	-0.5 to 7.0	Vdc
Operating Temperature Range	T _A	-40 to 85	°C
Storage Temperature Range	T _{stg}	-65 to 150	°C
Modulus Control Input, Pin 6	MC	-0.5 to 6.5	Vdc

NOTE: ESD data available upon request.

MC12054A

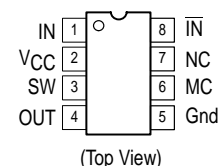
MECL PLL COMPONENTS ÷64/65, ÷128/129 LOW POWER DUAL MODULUS PRESCALER

SEMICONDUCTOR TECHNICAL DATA



D SUFFIX
PLASTIC PACKAGE
CASE 751
(SO-8)

PIN CONNECTIONS



ORDERING INFORMATION

Device	Operating Temp Range	Package
MC12054AD	T _A = -40 to 85°C	SO-8

Freescale Semiconductor, Inc. ARCHIVED BY FREESCALE SEMICONDUCTOR, INC. 2005

ARCHIVE INFORMATION

ELECTRICAL CHARACTERISTICS (V_{CC} = 2.7 to 5.5 Vdc, T_A = -40 to 85°C, unless otherwise noted.)

Characteristic	Symbol	Min	Typ	Max	Unit
Toggle Frequency (Sine Wave Input)	f _t	0.1	2.5	2.0	GHz
Supply Current (Pin 2)	I _{CC}	–	2.0	2.6	mA
Modulus Control Input High (MC)	V _{IH1}	2.0	–	V _{CC} + 0.5 V	V
Modulus Control Input Low (MC)	V _{IL1}	Gnd	–	0.8	V
Divide Ratio Control Input High (SW)	V _{IH2}	V _{CC} – 0.5 V	V _{CC}	V _{CC} + 0.5 V	VDC
Divide Ratio Control Input Low (SW)	V _{IL2}	Open	Open	Open	–
Output Voltage Swing (Note 2) (C _L = 8.0 pF, R _L = 1.65 kΩ)	V _{out}	0.8	1.1	–	V _{pp}
Modulus Setup Time MC to Out @ 2000 MHz	t _{set}	–	8.0	10	ns
Input Voltage Sensitivity 250–2000 MHz 100–250 MHz	V _{in}	100 400	– –	1000 1000	mV _{pp}
Output Current (Note 1) V _{CC} = 2.7 V, C _L = 8.0 pF, R _L = 1.65 kΩ V _{CC} = 5.0 V, C _L = 8.0 pF, R _L = 3.6 kΩ	I _O	– –	1.0 1.0	4.0 4.0	mA

NOTES: 1. Divide ratio of +64/65 @ 2.0 GHz
2. Valid over voltage range 2.7 to 5.5 V; R_L = 1.65 kΩ @ V_{CC} = 2.7 V; R_L = 3.6 kΩ @ V_{CC} = 5.0 V

Figure 1. Logic Diagram (MC12054A)

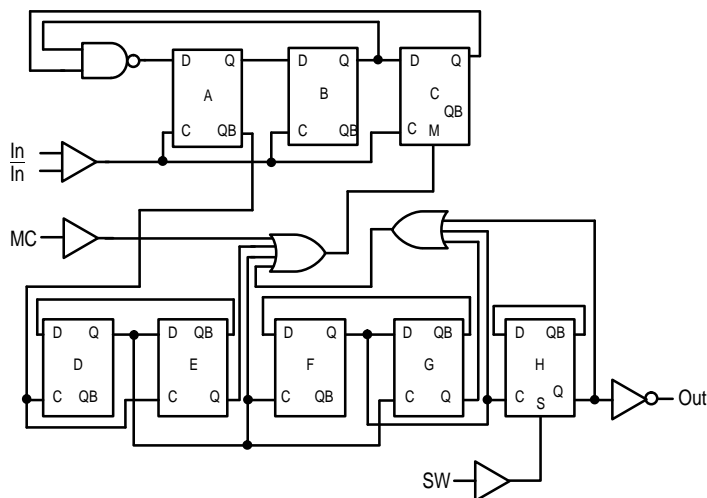
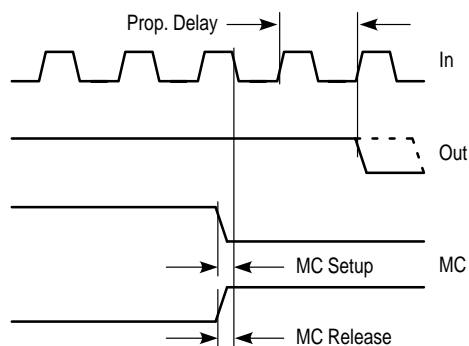
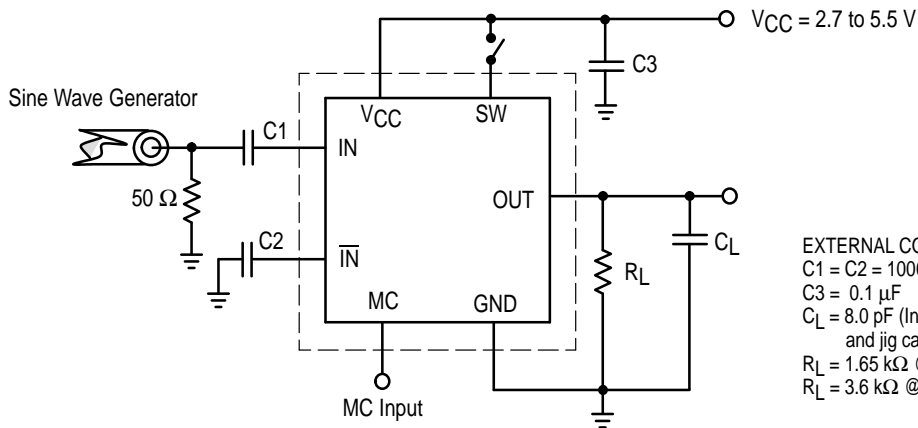


Figure 2. Modulus Setup Time



Modulus setup time MC to out is the MC setup or MC release plus the prop delay.

Figure 3. AC Test Circuit



EXTERNAL COMPONENTS
 C1 = C2 = 1000 pF
 C3 = 0.1 μF
 C_L = 8.0 pF (Including Scope and jig capacitance)
 R_L = 1.65 kΩ @ V_{CC} = 2.7 V
 R_L = 3.6 kΩ @ V_{CC} = 5.0 V

OUTLINE DIMENSIONS

ARCHIVED BY FREESCALE SEMICONDUCTOR, INC. 2005

D-SUFFIX
PLASTIC PACKAGE
CASE 751-06
(SO-8)
ISSUE T

NOTES:

1. DIMENSIONING AND TOLERANCING PER ASME Y14.5M, 1994.
2. DIMENSIONS ARE IN MILLIMETER.
3. DIMENSION D AND E DO NOT INCLUDE MOLD PROTRUSION.
4. MAXIMUM MOLD PROTRUSION 0.15 PER SIDE.
5. DIMENSION B DOES NOT INCLUDE DAMBAR PROTRUSION. ALLOWABLE DAMBAR PROTRUSION SHALL BE 0.127 TOTAL IN EXCESS OF THE B DIMENSION AT MAXIMUM MATERIAL CONDITION.

DIM	MILLIMETERS	
	MIN	MAX
A	1.35	1.75
A1	0.10	0.25
B	0.35	0.49
C	0.19	0.25
D	4.80	5.00
E	3.80	4.00
e	1.27 BSC	
H	5.80	6.20
h	0.25	0.50
L	0.40	1.25
θ	0°	7°

Freescale Semiconductor, Inc. ARCHIVE INFORMATION

ARCHIVE INFORMATION

Motorola reserves the right to make changes without further notice to any products herein. Motorola makes no warranty, representation or guarantee regarding the suitability of its products for any particular purpose, nor does Motorola assume any liability arising out of the application or use of any product or circuit, and specifically disclaims any and all liability, including without limitation consequential or incidental damages. "Typical" parameters which may be provided in Motorola data sheets and/or specifications can and do vary in different applications and actual performance may vary over time. All operating parameters, including "Typicals" must be validated for each customer application by customer's technical experts. Motorola does not convey any license under its patent rights nor the rights of others. Motorola products are not designed, intended, or authorized for use as components in systems intended for surgical implant into the body, or other applications intended to support or sustain life, or for any other application in which the failure of the Motorola product could create a situation where personal injury or death may occur. Should Buyer purchase or use Motorola products for any such unintended or unauthorized application, Buyer shall indemnify and hold Motorola and its officers, employees, subsidiaries, affiliates, and distributors harmless against all claims, costs, damages, and expenses, and reasonable attorney fees arising out of, directly or indirectly, any claim of personal injury or death associated with such unintended or unauthorized use, even if such claim alleges that Motorola was negligent regarding the design or manufacture of the part. Motorola and are registered trademarks of Motorola, Inc. Motorola, Inc. is an Equal Opportunity/Affirmative Action Employer.

Mfax is a trademark of Motorola, Inc.

How to reach us:

USA/EUROPE/Locations Not Listed: Motorola Literature Distribution; P.O. Box 5405, Denver, Colorado 80217. 1-303-675-2140 or 1-800-441-2447

JAPAN: Motorola Japan Ltd.; SPD, Strategic Planning Office, 141, 4-32-1 Nishi-Gotanda, Shinagawa-ku, Tokyo, Japan. 81-3-5487-8488

Customer Focus Center: 1-800-521-6274

Mfax™: RMFAX0@email.sps.mot.com – TOUCHTONE 1-602-244-6609
Motorola Fax Back System – US & Canada ONLY 1-800-774-1848
– http://sps.motorola.com/mfax/

ASIA/PACIFIC: Motorola Semiconductors H.K. Ltd.; Silicon Harbour Centre, 2, Dai King Street, Tai Po Industrial Estate, Tai Po, N.T., Hong Kong. 852-26629298

HOME PAGE: <http://motorola.com/sps/>



For More Information On This Product, Go to: www.freescale.com