

**Addendum**

MC68HC705KJ1AD/D  
Rev. 1, 1/2002

Addendum to  
MC68HC705KJ1  
MC68HRC705KJ1  
MC68HLC705KJ1  
Technical Data

This addendum provides corrections to:

*MC68HC705KJ1, MC68HRC705KJ1, and MC68HLC705KJ1 Technical Data (Motorola document number MC68HC705KJ1/D Rev. 2.0)*

**Front Cover**

Some printed documents may have a label on the front cover to correct the last listed device number. If your document has not been corrected, please change MC68HLC705JK1 to MC68HLC705KJ1.

**Page 26**

Correct **Figure 2-3. Crystal Connections with Oscillator Internal Resistor Mask Option** and **Figure 2-4. Crystal Connections without Oscillator Internal Resistor Mask Option** by changing PA7 designator to OSC1 (two places in each diagram).

**Page 27**

Correct **Figure 2-5. Ceramic Resonator Connections with Oscillator Internal Resistor Mask Option** and **Figure 2-6. Ceramic Resonator Connections without Oscillator Internal Resistor Mask Option** by changing PA7 designator to OSC1 (two places in each diagram).

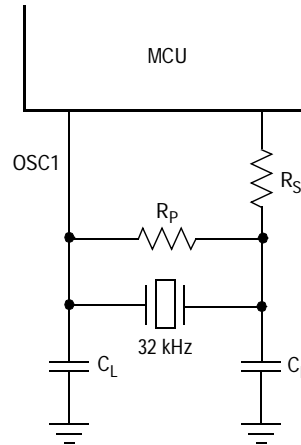
**Page 28**

Correct **Figure 2-7. External Clock Connections** by changing PA7 designator to OSC1.

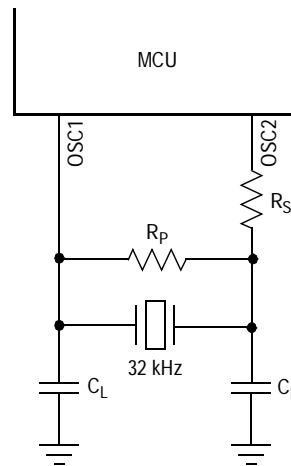


**Page 140** Correct **Figure B-1. Crystal Connections** by adding the OSC2 designation as shown here.

*From:*



*To:*



Change the table title:

*From:* **Table B-3. MC68HLC705KJ1 (High Speed) Order Numbers**

*To:* **Table B-3. MC68HLC705KJ1 Order Numbers**



**Home Page:**

[www.freescale.com](http://www.freescale.com)

**email:**

[support@freescale.com](mailto:support@freescale.com)

**USA/Europe or Locations Not Listed:**

Freescale Semiconductor  
 Technical Information Center, CH370  
 1300 N. Alma School Road  
 Chandler, Arizona 85224  
 (800) 521-6274  
 480-768-2130  
[support@freescale.com](mailto:support@freescale.com)

**Europe, Middle East, and Africa:**

Freescale Halbleiter Deutschland GmbH  
 Technical Information Center  
 Schatzbogen 7  
 81829 Muenchen, Germany  
 +44 1296 380 456 (English)  
 +46 8 52200080 (English)  
 +49 89 92103 559 (German)  
 +33 1 69 35 48 48 (French)  
[support@freescale.com](mailto:support@freescale.com)

**Japan:**

Freescale Semiconductor Japan Ltd.  
 Headquarters  
 ARCO Tower 15F  
 1-8-1, Shimo-Meguro, Meguro-ku  
 Tokyo 153-0064, Japan  
 0120 191014  
 +81 2666 8080  
[support.japan@freescale.com](mailto:support.japan@freescale.com)

**Asia/Pacific:**

Freescale Semiconductor Hong Kong Ltd.  
 Technical Information Center  
 2 Dai King Street  
 Tai Po Industrial Estate,  
 Tai Po, N.T., Hong Kong  
 +800 2666 8080  
[support.asia@freescale.com](mailto:support.asia@freescale.com)

**For Literature Requests Only:**

Freescale Semiconductor  
 Literature Distribution Center  
 P.O. Box 5405  
 Denver, Colorado 80217  
 (800) 441-2447  
 303-675-2140  
 Fax: 303-675-2150  
[LDCForFreescaleSemiconductor@hibbertgroup.com](mailto:LDCForFreescaleSemiconductor@hibbertgroup.com)

Information in this document is provided solely to enable system and software implementers to use Freescale Semiconductor products. There are no express or implied copyright licenses granted hereunder to design or fabricate any integrated circuits or integrated circuits based on the information in this document. Freescale Semiconductor reserves the right to make changes without further notice to any products herein. Freescale Semiconductor makes no warranty, representation or guarantee regarding the suitability of its products for any particular purpose, nor does Freescale Semiconductor assume any liability arising out of the application or use of any product or circuit, and specifically disclaims any and all liability, including without limitation consequential or incidental damages. "Typical" parameters which may be provided in Freescale Semiconductor data sheets and/or specifications can and do vary in different applications and actual performance may vary over time. All operating parameters, including "Typicals" must be validated for each customer application by customer's technical experts. Freescale Semiconductor does not convey any license under its patent rights nor the rights of others. Freescale Semiconductor products are not designed, intended, or authorized for use as components in systems intended for surgical implant into the body, or other applications intended to support or sustain life, or for any other application in which the failure of the Freescale Semiconductor product could create a situation where personal injury or death may occur. Should Buyer purchase or use Freescale Semiconductor products for any such unintended or unauthorized application, Buyer shall indemnify and hold Freescale Semiconductor and its officers, employees, subsidiaries, affiliates, and distributors harmless against all claims, costs, damages, and expenses, and reasonable attorney fees arising out of, directly or indirectly, any claim of personal injury or death associated with such unintended or unauthorized use, even if such claim alleges that Freescale Semiconductor was negligent regarding the design or manufacture of the part.

