

*Advance Information*

MPC8245RZUPNS/D  
Rev. 0, 3/2002

MPC8245 Part Number  
Specification for the  
XPC8245RZUnnx Series



*Motorola Part Numbers Affected:*

XPC8245RZU400B

This document describes part-number-specific changes to recommended operating conditions and revised electrical specifications, as applicable, from those described in the general *MPC8245 Integrated Processor Hardware Specifications* (order # MPC8245EC/D).

Specifications provided in this document supersede those in the *MPC8245 Integrated Processor Hardware Specifications*, Rev.0.5 or later, for the part numbers listed in Table A only. Specifications not addressed herein are unchanged. Because this document is frequently updated, refer to <http://www.motorola.com/semiconductors> or to your Motorola sales office for the latest version.

Note that headings and table numbers in this document are not consecutively numbered. They are intended to correspond to the heading or table affected in the general hardware specification.

Part numbers addressed in this document are listed in Table A. For more detailed ordering information see Section 1.9, “Ordering Information.”

**Table A. Part Numbers Addressed by this Data Sheet**

Motorola Part Number	Operating Conditions			Significant Differences from Hardware Specification
	CPU Frequency	V <sub>DD</sub>	T <sub>J</sub> (°C)	
XPC8245RZU400B	400 MHz	2.1 ± 100 mV	0 to 85	Modified voltage and temperature Specifications to achieve 400 MHz

**Note:** The X prefix in a Motorola part number designates a “Pilot Production Prototype” as defined by Motorola SOP 3-13. These are from a limited production volume of prototypes manufactured, tested, and Q.A. inspected on a qualified technology to simulate normal production. These parts have only preliminary reliability and characterization data. Before pilot production prototypes may be shipped, written authorization from the customer must be on file in the applicable sales office acknowledging the qualification status and the fact that product changes may still occur while shipping pilot production prototypes.

## 1.2 Features

This section summarizes changes to the features of the MPC8245 described in the *MPC8245 Integrated Processor Hardware Specifications*.

- Power management
  - 2.1-V processor core

**PRELIMINARY—SUBJECT TO CHANGE WITHOUT NOTICE**

**For More Information On This Product,  
Go to: [www.freescale.com](http://www.freescale.com)**

## 1.3 General Parameters

This section summarizes changes to the general parameters of the MPC8245 described in the *MPC8245 Integrated Processor Hardware Specifications*.

- Core power supply 2.1 V ± 100 mV DC nominal

### 1.4.1.2 DC Electrical Characteristics

Table 2 provides the recommended operating conditions for the MPC8245 part numbers described herein.

**Table 2. Recommended Operating Conditions**

Characteristic	Symbol	Recommended Value	Unit
Supply voltage	V <sub>DD</sub>	2.1 V ± 100 mV	V
CPU PLL supply voltage	AV <sub>DD</sub>	2.1 V ± 100 mV	V
PLL supply voltage - Peripheral Logic	AV <sub>DD2</sub>	2.1 V ± 100 mV	V
Die-junction temperature	T <sub>j</sub>	0 to 85	°C

**Note:** These are the recommended and tested operating conditions. Proper device operation outside of these conditions is not guaranteed.

### 1.4.1.5 Power Characteristics

The AC electrical characteristics and AC timing for all parts described herein are unaffected and comply with the *MPC8245 Integrated Processor Hardware Specifications*.

**Table 5. Preliminary Power Consumption**

Mode	PCI Bus Clock / Memory Bus Clock CPU Clock Frequency (MHz)		Units	Notes
	33/ 132/ 396	40/ 100/ 400		
Typical	2.2	2.3	W	1, 5
Max - FP	2.8	2.9	W	1, 2
Max - INT	2.4	2.5	W	1, 3
Doze	1.6	1.7	W	1, 4, 6
Nap	0.6	0.7	W	1, 4, 6
Sleep	0.2	0.4	W	1, 4, 6
<b>I/O Power Supplies<sup>10</sup></b>				
Mode	Range		Units	Notes
Typ-OVdd	200 - 500	200 - 500	mW	7,8
Typ-GVdd	300 - 700	300 - 700	mW	7,9

**Notes:**

1. The values include Vdd, AVdd, and AVdd2 but do not include I/O Supply Power, see Section 1.7.2, "Power Supply Sizing," for information on OVdd and GVdd supply power. Values shown in parenthesis ( ) indicate power consumption at Vdd/AVdd/AVdd2 = 2.1 V.
2. Maximum - FP power is measured at Vdd = 2.1 V with dynamic power management enabled while running an entirely cache-resident, looping, floating point multiplication instruction.
3. Maximum - INT power is measured at Vdd = 2.1 V with dynamic power management enabled while running entirely cache-resident, looping, integer instructions.
4. Power saving mode maximums are measured at Vdd = 2.1 V while the device is in doze, nap, or sleep mode.
5. Typical power is measured at Vdd = AVdd = 2.1 V, OVdd = 3.3 V where a nominal FP value, a nominal INT value, and a value where there is a continuous flush of cache lines with alternating ones and zeroes on 64 bit boundaries to local memory are averaged.
6. Power saving mode data measured with only two PCI\_CLKs and two SDRAM\_CLKs enabled.
7. The typical minimum I/O power values were results of the MPC8245 performing cache resident integer operations at the slowest frequency combination of 33:66:200 (PCI:Mem:CPU) MHz.
8. The typical maximum OVdd value resulted from the MPC8245 operating at the fastest frequency combination of 66:100:350 (PCI:Mem:CPU) MHz and performing continuous flushes of cache lines with alternating ones and zeroes to PCI memory.
9. The typical maximum GVdd value resulted from the MPC8245 operating at the fastest frequency combination of 66:100:350 (PCI:Mem:CPU) MHz and performing continuous flushes of cache lines with alternating ones and zeroes on 64 bit boundaries to local memory.
10. Power consumption of PLL supply pins (AVdd and AVdd2) < 15 mW. Guaranteed by design and is not tested.

## 1.6 PLL Configuration

The MPC8245 internal PLLs are configured by the PLL\_CFG[0:4] signals. For a given PCI\_SYNC\_IN (PCI bus) frequency, the PLL configuration signals set both the Peripheral Logic/Memory Bus PLL (VCO) frequency of operation for the PCI-to-Memory frequency multiplying and the 603e CPU PLL (VCO) frequency of operation for Memory-to-CPU frequency multiplying. The PLL configurations for the MPC8245 is shown in Table 1.

**Table 1. MPC8245 PLL Configurations for the 400 MHz Part Offering**

Ref	PLL_CFG [0:4] <sup>10,13</sup>	400 MHz Part <sup>9</sup>			Multipliers	
		PCI Clock Input (PCI_SYNC_IN) Range <sup>1</sup> (MHz)	Periph Logic/Mem Bus Clock Range (MHz)	CPU Clock Range (MHz)	PCI to Mem (Mem VCO)	Mem to CPU (CPU VCO)
0	00000 <sup>12</sup>	25 - 44 <sup>2</sup>	75 - 132	188 - 330	3 (2)	2.5 (2)
1	00001 <sup>12</sup>	25 - 44 <sup>5</sup>	75 - 132	225 - 396	3 (2)	3 (2)
2	00010 <sup>11</sup>	50 <sup>17</sup> - 66 <sup>1</sup>	50 - 66	225 - 297	1 (4)	4.5 (2)
3	00011 <sup>11,14</sup>	50 <sup>16</sup> - 66 <sup>1</sup>	50 - 66	100 - 133	1(Bypass)	2 (4)
4	00100 <sup>12</sup>	25 - 46 <sup>4</sup>	50 - 92	100 - 184	2 (4)	2 (4)
6	00110 <sup>15</sup>	Bypass			Bypass	Bypass
7	00111 <sup>14</sup>	60 <sup>6</sup> - 66 <sup>1</sup>	60 - 66	180 - 198	1(Bypass)	3 (2)
8	01000 <sup>12</sup>	60 <sup>6</sup> - 66 <sup>1</sup>	60 - 66	180 - 198	1 (4)	3 (2)
9	01001 <sup>18</sup>	45 <sup>6</sup> - 66 <sup>1</sup>	90 - 132	180 - 264	2 (2)	2 (2)
A	01010 <sup>12</sup>	25 - 44 <sup>5</sup>	50 - 88	225 - 396	2 (4)	4.5 (2)
B	01011 <sup>18</sup>	45 <sup>3</sup> - 66 <sup>1</sup>	68 - 99	204 - 297	1.5 (2)	3 (2)
C	01100 <sup>12</sup>	36 <sup>6</sup> - 46 <sup>4</sup>	72 - 92	180 - 230	2 (4)	2.5 (2)
D	01101 <sup>18</sup>	45 <sup>3</sup> - 66 <sup>1</sup>	68 - 99	238 - 347	1.5 (2)	3.5 (2)
E	01110 <sup>12</sup>	30 <sup>6</sup> - 46 <sup>4</sup>	60 - 92	180 - 276	2 (4)	3 (2)
F	01111 <sup>18</sup>	25 - 38 <sup>5</sup>	75 - 114	263 - 399	3(2)	3.5(2)
10	10000 <sup>12</sup>	30 <sup>6</sup> - 44 <sup>2</sup>	60 - 132	180 - 264	3 (2)	2 (2)
11	10001 <sup>18</sup>	25 - 33 <sup>2</sup>	100 - 132	250 - 330	4(2)	2.5(2)
12	10010 <sup>12</sup>	60 <sup>6</sup> - 66 <sup>1</sup>	90 - 99	180 - 198	1.5 (2)	2 (2)
13	10011 <sup>18</sup>	25 - 33 <sup>5</sup>	100 - 132	300 - 396	4(2)	3(2)
14	10100 <sup>12</sup>	26 <sup>6</sup> - 47 <sup>4</sup>	52 - 94	182 - 329	2 (4)	3.5 (2)
15	10101 <sup>18</sup>	27 <sup>3</sup> - 40 <sup>5</sup>	68 - 100	272 - 400	2.5 (2)	4 (2)
16	10110 <sup>12</sup>	25 - 46 <sup>4</sup>	50 - 92	200 - 368	2 (4)	4 (2)

**Table 1. MPC8245 PLL Configurations for the 400 MHz Part Offering (Continued)**

Ref	PLL_CFG [0:4] <sup>10,13</sup>	400 MHz Part <sup>9</sup>			Multipliers	
		PCI Clock Input (PCI_SYNC_IN) Range <sup>1</sup> (MHz)	Periph Logic/Mem Bus Clock Range (MHz)	CPU Clock Range (MHz)	PCI to Mem (Mem VCO)	Mem to CPU (CPU VCO)
17	10111 <sup>18</sup>	25 - 33 <sup>2</sup>	100 - 132	200 - 264	4 (2)	2 (2)
18	11000 <sup>12</sup>	27 <sup>3</sup> - 53 <sup>5</sup>	68 - 132	204 - 396	2.5 (2)	3 (2)
19	11001 <sup>18</sup>	36 <sup>6</sup> - 66 <sup>1</sup>	72 - 132	180 - 330	2 (2)	2.5 (2)
1A	11010 <sup>12</sup>	50 <sup>17</sup> - 66 <sup>1</sup>	50 - 66	200 - 264	1 (4)	4 (2)
1B	11011 <sup>18</sup>	33 <sup>6</sup> - 66 <sup>1</sup>	66 - 132	198 - 396	2 (2)	3 (2)
1C	11100 <sup>12</sup>	44 <sup>6</sup> - 66 <sup>1</sup>	66 - 99	198 - 297	1.5 (2)	3 (2)
1D	11101 <sup>12</sup>	48 <sup>6</sup> - 66 <sup>1</sup>	72 - 99	180 - 248	1.5 (2)	2.5(2)
1E	11110 <sup>8</sup>	Not Usable			Off	Off
1F	11111 <sup>8</sup>	Not Usable			Off	Off

**Notes:**

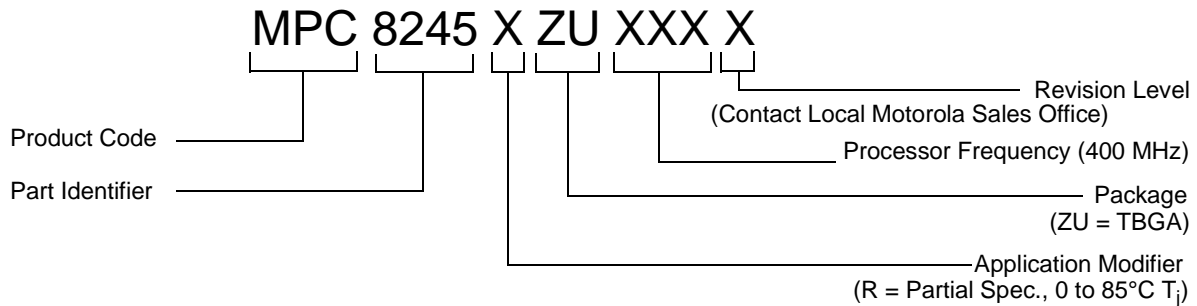
1. Limited by maximum PCI input frequency (66 MHz).
2. Limited by maximum system memory interface operating frequency (133 MHz).
3. Limited by minimum memory VCO frequency. (133 MHz)
4. Limited due to maximum memory VCO frequency. (372 MHz)
5. Limited by maximum CPU operating frequency. (400 MHz)
6. Limited by minimum CPU VCO frequency. (360 MHz)
7. Limited by maximum CPU VCO frequency. (800)
8. In Clock Off mode, no clocking occurs inside the MPC8245 regardless of the PCI\_SYNC\_IN input.
9. Range values are shown rounded down to the nearest whole number (decimal place accuracy removed) for clarity.
10. PLL\_CFG[0:4] settings not listed (01011, 01101, 01111, 10001, 10011, 10101, 11001, and 11011) are reserved.
11. Multiplier ratios for this PLL\_CFG[0:4] setting are different from the MPC8240 and are not backwards compatible.
12. PCI\_SYNC\_IN range for this PLL\_CFG[0:4] setting is different from the MPC8240 and may not be fully backwards compatible.
13. Bits 7– 4 of register offset <0xE2> contain the PLL\_CFG[0:4] setting value.
14. In PLL Bypass mode, the PCI\_SYNC\_IN input signal clocks the internal processor directly, the peripheral logic PLL is disabled, and the bus mode is set for 1:1 (PCI:Mem) mode operation. This mode is intended for hardware modeling support. The AC timing specifications given in this document do not apply in PLL Bypass mode.
15. In Dual PLL Bypass mode, the PCI\_SYNC\_IN input signal clocks the internal peripheral logic directly, the peripheral logic PLL is disabled, and the bus mode is set for 1:1 (PCI\_SYNC\_IN:Mem) mode operation. In this mode, the OSC\_IN input signal clocks the internal processor directly in 1:1 (OSC\_IN:CPU) mode operation, and the processor PLL is disabled. The PCI\_SYNC\_IN and OSC\_IN input clocks must be externally synchronized. This mode is intended for hardware modeling support. The AC timing specifications given in this document do not apply in Dual PLL Bypass mode.
16. Limited by minimum CPU operating frequency.(100 MHz)
17. Limited by minimum memory bus frequency. (50 MHz)

18. PCI\_SYNC\_IN range for this PLL\_CFG[0:4] setting does not exist on the MPC8240 and may not be fully backwards compatible.

## 1.9 Ordering Information

This section provides the part numbering nomenclature for the MPC8245. Note that the individual part numbers correspond to a maximum processor core frequency. For available frequencies, contact your local Motorola sales office.

Figure provides the Motorola part numbering nomenclature for the MPC8245. In addition to the processor frequency, the part numbering scheme also consists of an application modifier. The application modifier may specify special application conditions such as specific temperature or voltage ranges. Each part number also contains a revision code. This refers to the die mask revision number and is specified in the part numbering scheme for identification purposes only.



**Figure 33. Motorola Part Number Key**



## HOW TO REACH US:

### USA/EUROPE/LOCATIONS NOT LISTED:

Motorola Literature Distribution;  
P.O. Box 5405, Denver, Colorado 80217  
1-303-675-2140 or 1-800-441-2447

### JAPAN:

Motorola Japan Ltd.; SPS, Technical Information Center,  
3-20-1, Minami-Azabu Minato-ku, Tokyo 106-8573 Japan  
81-3-3440-3569

### ASIA/PACIFIC:

Motorola Semiconductors H.K. Ltd.; Silicon Harbour  
Centre, 2 Dai King Street, Tai Po Industrial Estate,  
Tai Po, N.T., Hong Kong  
852-26668334

### TECHNICAL INFORMATION CENTER:

1-800-521-6274

### HOME PAGE:

<http://www.motorola.com/semiconductors>

### DOCUMENT COMMENTS:

FAX (512) 933-2625,  
Attn: RISC Applications Engineering

Information in this document is provided solely to enable system and software implementers to use Motorola products. There are no express or implied copyright licenses granted hereunder to design or fabricate any integrated circuits or integrated circuits based on the information in this document.

Motorola reserves the right to make changes without further notice to any products herein. Motorola makes no warranty, representation or guarantee regarding the suitability of its products for any particular purpose, nor does Motorola assume any liability arising out of the application or use of any product or circuit, and specifically disclaims any and all liability, including without limitation consequential or incidental damages. "Typical" parameters which may be provided in Motorola data sheets and/or specifications can and do vary in different applications and actual performance may vary over time. All operating parameters, including "Typicals" must be validated for each customer application by customer's technical experts. Motorola does not convey any license under its patent rights nor the rights of others. Motorola products are not designed, intended, or authorized for use as components in systems intended for surgical implant into the body, or other applications intended to support or sustain life, or for any other application in which the failure of the Motorola product could create a situation where personal injury or death may occur. Should Buyer purchase or use Motorola products for any such unintended or unauthorized application, Buyer shall indemnify and hold Motorola and its officers, employees, subsidiaries, affiliates, and distributors harmless against all claims, costs, damages, and expenses, and reasonable attorney fees arising out of, directly or indirectly, any claim of personal injury or death associated with such unintended or unauthorized use, even if such claim alleges that Motorola was negligent regarding the design or manufacture of the part.



Motorola and the Stylized M Logo are registered in the U.S. Patent and Trademark Office. digital dna is a trademark of Motorola, Inc. All other product or service names are the property of their respective owners. Motorola, Inc. is an Equal Opportunity/Affirmative Action Employer.

© Motorola, Inc. 2001

MPC8245RZUPNS/D

**For More Information On This Product,  
Go to: [www.freescale.com](http://www.freescale.com)**