

# PF5020

## Power management integrated circuit (PMIC) for high performance applications

Rev. 3 — 20 September 2021

Product data sheet

## 1 Overview

---

The PF5020 integrates multiple high performance buck regulators. It can operate as a stand-alone point-of-load regulator IC, or as a companion chip to a larger PMIC.

Built-in one-time programmable (OTP) memory stores key startup configurations, drastically reducing external components typically used to set output voltage and sequence of regulators. Regulator parameters are adjustable through high-speed I<sup>2</sup>C after start up offering flexibility for different system states.

## 2 Features

---

- Three high efficiency buck converters
- One linear regulator with load switch options
- RTC supply and coin cell charger
- Watchdog timer/monitor
- Monitoring circuit to fit ASIL B safety level
- One-time programmable device configuration
- 3.4 MHz I<sup>2</sup>C communication interface
- 40-pin QFN package with wettable flank and exposed pad



### 3 Simplified application diagram

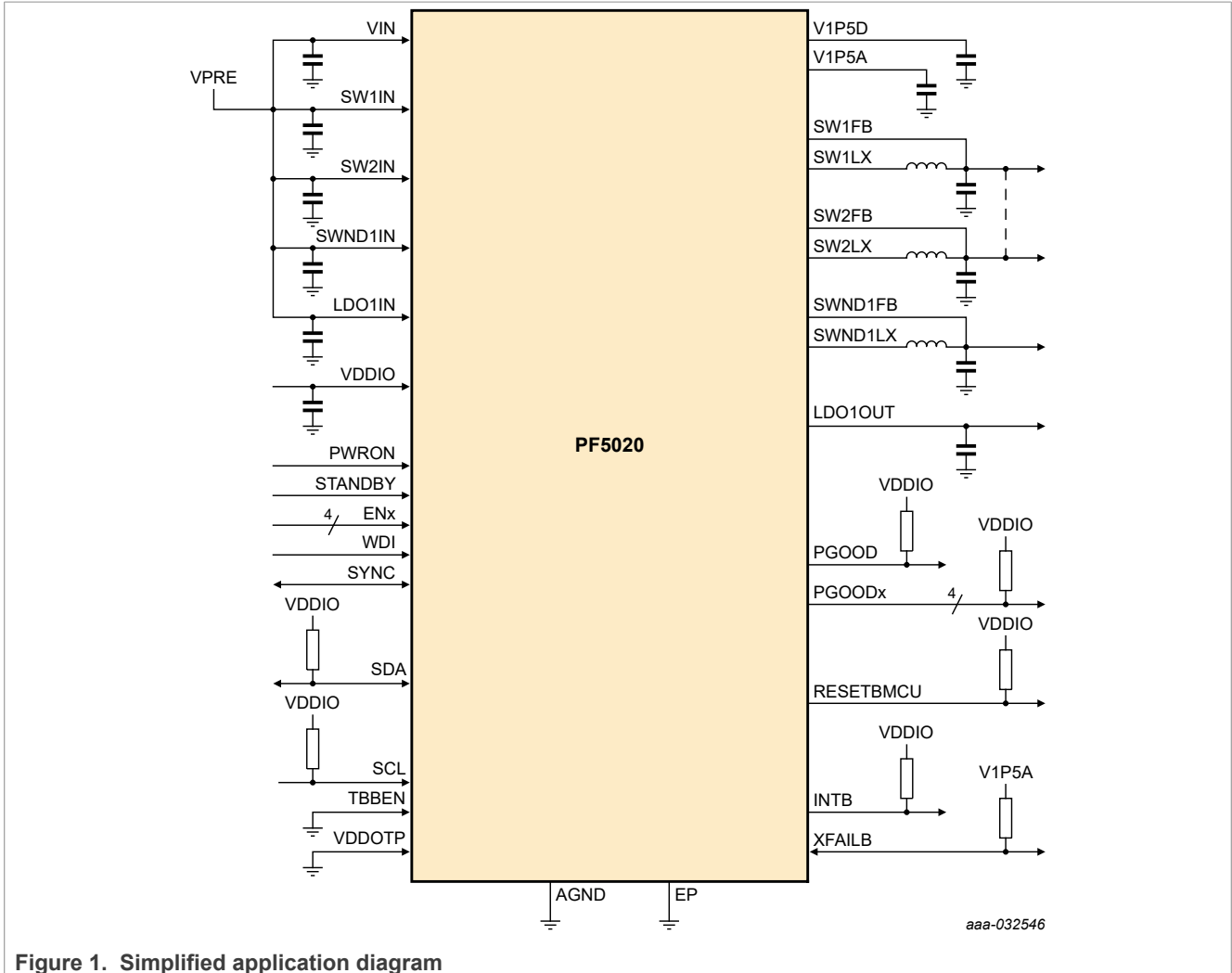


Figure 1. Simplified application diagram

### 4 Ordering information

Table 1. Ordering information

Type number <sup>[1]</sup>	Package		
	Name	Description	Version
MPF5020CMBA0ES <sup>[2]</sup>	HVQFN40	Plastic thermal enhanced very thin quad flat pack; no leads, wettable flank, Dimple cut, 40 terminals, 0.5 mm pitch, 6 mm x 6 mm x 0.9 mm body Temperature grade: 125 °C	SOT618-17(D)
MPF5020CMMA0ES <sup>[3]</sup>			
MPF5020CMMACES <sup>[4]</sup>			
MPF5020CVNA0ES <sup>[5]</sup>			
		Plastic thermal enhanced very thin quad flat pack; no leads, wettable flank, Dimple cut, 40 terminals, 0.5 mm pitch, 6 mm x 6 mm x 0.9 mm body Temperature grade: 105 °C	

[1] To order parts in tape and reel, add the R2 suffix to the part number.  
 [2] Automotive part, Safety grade: ASIL B  
 [3] Automotive part, Safety grade: QM  
 [4] Automotive part, IMX RT1170 Reference part, Safety grade: QM  
 [5] Industrial part

## 5 Applications

- Automotive Infotainment
- High-end consumer and industrial

## 6 Internal block diagram

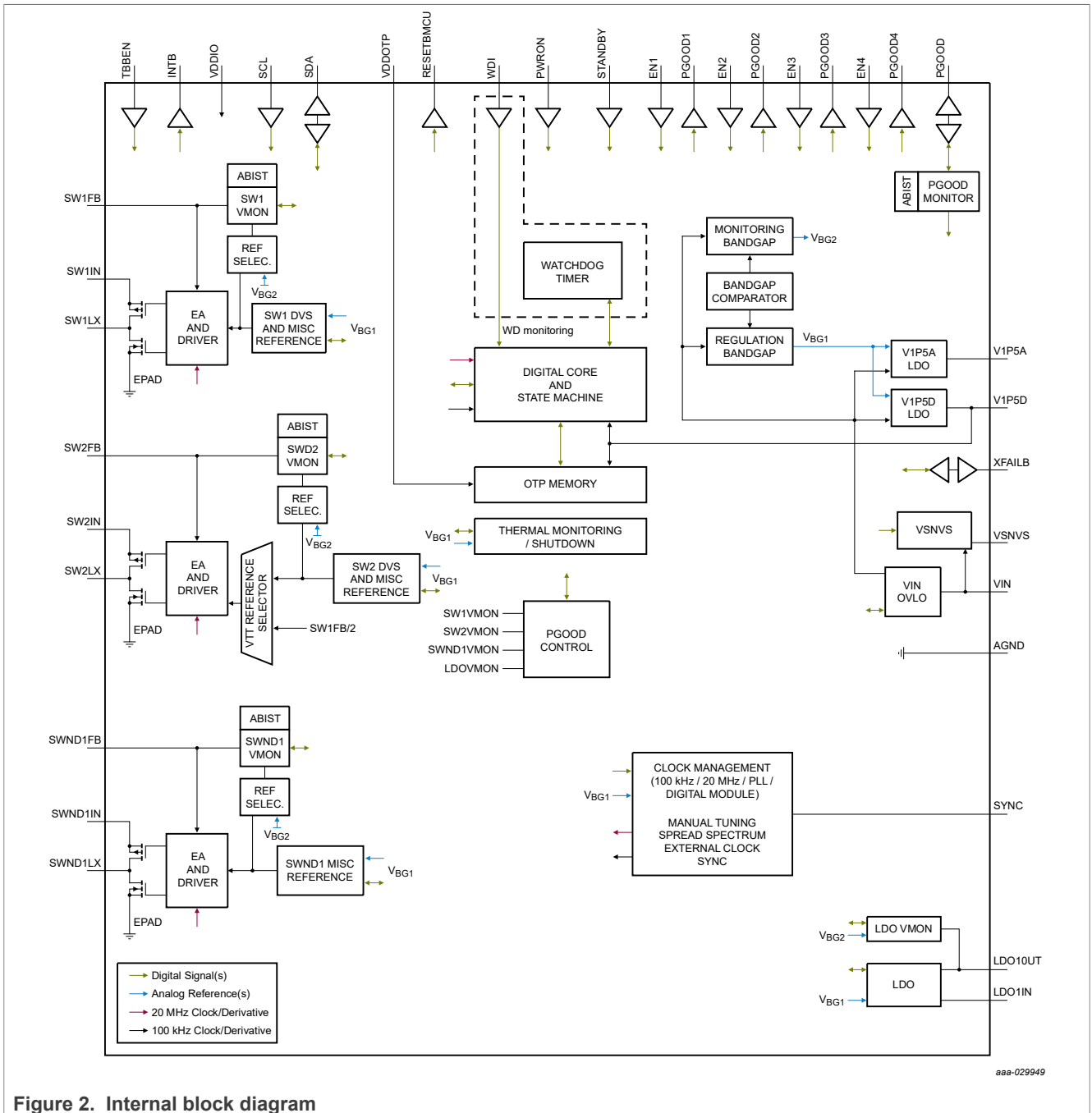


Figure 2. Internal block diagram

## 7 Pinning information

### 7.1 Pinning

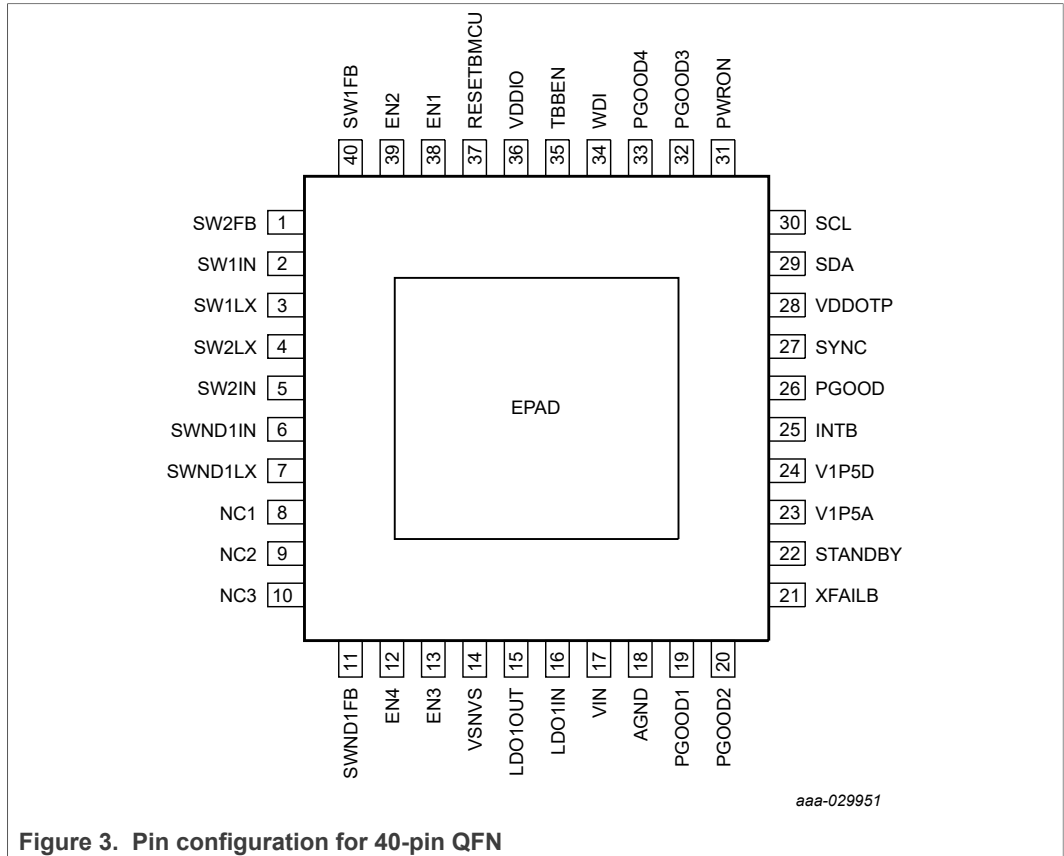


Figure 3. Pin configuration for 40-pin QFN

### 7.2 Pin description

Table 2. Pin description

QFN pin number	Pin name	Pin description	Min	Max	Units
1	SW2FB	Buck 2 output voltage feedback	-0.3	6.0	V
2	SW1IN	Buck 1 input supply	-0.3	6.0	V
3	SW1LX	Buck 1 switching node	-0.3	6.0	V
4	SW2LX	Buck 2 switching node	-0.3	6.0	V
5	SW2IN	Buck 2 input supply	-0.3	6.0	V
6	SWND1IN	Buck 3 input supply	-0.3	6.0	V
7	SWND1LX	Buck 3 switching node	-0.3	6.0	V
8	NC1.	not connected	-0.3	6.0	V
9	NC2	not connected	-0.3	6.0	V
10	NC3	not connected	-0.3	6.0	V
11	SWND1FB	Buck 3 output voltage feedback	-0.3	6.0	V
12	EN4	LDO1 enable input	-0.3	6.0	V
13	EN3	SWND1 enable input	-0.3	6.0	V
14	VSNVS	VSNVS regulator output	-0.3	6.0	V

## Power management integrated circuit (PMIC) for high performance applications

Table 2. Pin description...continued

QFN pin number	Pin name	Pin description	Min	Max	Units
15	LDO1OUT	LDO1 output	-0.3	6.0	V
16	LDO1IN	LDO1 input supply	-0.3	6.0	V
17	VIN	Main input voltage	-0.3	6.0	V
18	AGND	Ground	-0.3	0.3	V
19	PGOOD1	SW1 PGOOD output	-0.3	6.0	V
20	PGOOD2	SW2 PGOOD output	-0.3	6.0	V
21	XFAILB	XFAILB input/output	-0.3	6.0	V
22	STANDBY	STANDBY signal input	-0.3	6.0	V
23	V1P5A	1.6 V regulator output for internal analog	-0.3	2	V
24	V1P5D	1.6 V regulator output for internal digital	-0.3	2	V
25	INTB	Interrupt open-drain output	-0.3	6.0	V
26	PGOOD	Global PGOOD output	-0.3	6.0	V
27	SYNC	External clock input/output for synchronization	-0.3	6.0	V
28	VDDOTP	Power supply for OTP programing block	-0.3	10	V
29	SDA	I <sup>2</sup> C SDA	-0.3	6.0	V
30	SCL	I <sup>2</sup> C SCL	-0.3	6.0	V
31	PWRON	PWRON input	-0.3	6.0	V
32	PGOOD3	SWND1 PGOOD output	-0.3	6.0	V
33	PGOOD4	LDO1 PGOOD output	-0.3	6.0	V
34	WDI	External watchdog reset input	-0.3	6.0	V
35	TBBEN	TBBEN mode control input	-0.3	6.0	V
36	VDDIO	I/O supply voltage. Connect to voltage rail at 1.8 V or 3.3 V	-0.3	6.0	V
37	RESETBMCU	RESETBMCU open-drain output	-0.3	6.0	V
38	EN1	SW1 enable input	-0.3	6.0	V
39	EN2	SW2 enable input	-0.3	6.0	V
40	SW1FB	Buck 1 output voltage feedback	-0.3	6.0	V
41	EPAD	Exposed pad. Connect to ground.	-0.3	0.3	V

## 8 Absolute maximum ratings

Table 3. Absolute maximum ratings

Symbol	Parameter	Min	Typ	Max	Unit
VIN	Main input supply voltage <sup>[1]</sup>	-0.3	—	6.0	V
SWxVIN, LDOxVIN	Regulator input supply voltage <sup>[1]</sup>	-0.3	—	6.0	V
VDDOTP	OTP programming input supply voltage	-0.3	—	10	V

[1] Pin reliability may be affected if system voltages are above the maximum operating range of 5.5 V for extended period of time. To minimize system reliability impact, system must not operate above 5.5 V for more than 1800 sec over the lifetime of the device.

## 9 ESD ratings

**Table 4. ESD ratings**

All ESD specifications are compliant with AEC-Q100 specification.

Symbol	Parameter	Min	Typ	Max	Unit
V <sub>ESD</sub>	Human body model <sup>[1]</sup>	—	—	2000	V
V <sub>ESD</sub>	Charge device model <sup>[1]</sup> QFN package - all pins	—	—	500	V
I <sub>LATCHUP</sub>	Latch-up current	—	—	100	mA

[1] ESD testing is performed in accordance with the human body model (HBM) (CZAP = 100 pF, RZAP = 1500 Ω), and the charge device model (CDM), robotic (CZAP = 4.0 pF).

## 10 Thermal characteristics

**Table 5. Thermal characteristics**

Symbol	Parameter	Min	Typ	Max	Unit
T <sub>A</sub>	Ambient operating temperature	−40	—	125	°C
T <sub>J</sub>	Junction temperature	−40	—	150	°C
T <sub>ST</sub>	Storage temperature range	−55	—	150	°C
T <sub>PPRT</sub>	Peak package reflow temperature	—	—	260	°C

**Table 6. QFN40 thermal resistance and package dissipation ratings**

Symbol	Parameter	Typ	Unit
R <sub>θJA</sub>	Junction to Ambient Thermal Resistance <sup>[1] [2] [3]</sup> JESD51-7, 2s2p	32.6	°C/W
R <sub>θJA</sub>	Junction to Ambient Thermal Resistance <sup>[1] [2] [4]</sup> JESD51-7, 2s6p	26.8	°C/W
Ψ <sub>JT</sub>	Junction to Top of Package Thermal Parameter <sup>[1] [2] [3]</sup> JESD51-7, 2s2p	0.46	°C/W
Ψ <sub>JT</sub>	Junction to Top of Package Thermal Parameter <sup>[1] [2] [4]</sup> JESD51-7, 2s6p	0.39	°C/W
Ψ <sub>JB</sub>	Junction to Board Thermal Parameter <sup>[1] [2] [3]</sup> JESD51-7, 2s2p	13.9	°C/W
Ψ <sub>JB</sub>	Junction to Board Thermal Parameter <sup>[1] [2] [4]</sup> JESD51-7, 2s6p	12.3	°C/W

[1] Determined in accordance to JEDEC JESD51-2A natural convection environment and uniform power.

[2] Thermal resistance data in this report is solely for a thermal performance comparison of one package to another in a standardized specified environment. It is not meant to predict the performance of a package in an application-specific environment.

[3] Thermal test board meets JEDEC specification for this package (JESD51-7, 2s2p). PCB has a 3×3 array of thermal via under the exposed pad.

[4] 2s6p PCB identical to 51-7 but with four additional internal layers at 35 μm thickness.

## 11 Operating conditions

**Table 7. Operating conditions**

Symbol	Parameter	Min	Typ	Max	Unit
V <sub>IN</sub>	Main input supply voltage	UVDET	—	5.5	V

## 12 General description

### 12.1 Features

The PF5020 is a power management integrated circuit (PMIC) designed to be the primary power management building block for NXP high-end multimedia application processors from the i.MX 8 and S32V series. It is also capable of providing power solution to the high end i.MX 6 series as well as several non-NXP processors.

- Buck regulators
  - SW1, SW2: 0.4 V to 1.8 V; 2500 mA
  - SWND1; 1.0 V to 4.1 V; 2500 mA
  - Dynamic voltage scaling on SW1 and SW2
  - SW1, SW2 configurable as a dual phase regulator
  - VTT termination mode on SW2
  - Programmable current limit
  - Spread-spectrum and manual tuning of switching frequency
- LDO regulator
  - LDO1, 1.5 V to 5.0 V, 400 mA; with optional load switch mode
- RTC LDO/switch supply from system supply
  - RTC supply VSNVS 1.8 V/3.0 V/3.3 V, 10 mA
- PGOOD output and monitor
  - Global PGOOD output and PGOOD monitor
  - Independent PGOOD output for each regulator
- Independent enable input for each regulator
- Clock synchronization through configurable input/output sync pin
- System features
  - Fast PMIC startup
  - Advanced state machine for seamless processor interface
  - High speed I<sup>2</sup>C interface support (up to 3.4 MHz)
  - User programmable Standby and Off modes
  - Programmable soft start sequence and power down sequence
  - Programmable regulator configuration
- OTP (One-time programmable) memory for device configuration
- Monitoring circuit to fit ASIL B safety level
  - Independent voltage monitoring with programmable fault protection
  - Advance thermal monitoring and protection
  - External watchdog monitoring and programmable internal watchdog counter
  - I<sup>2</sup>C CRC and write protection mechanism
  - Analog built-in self-test (ABIST)

### 12.2 Functional block diagram

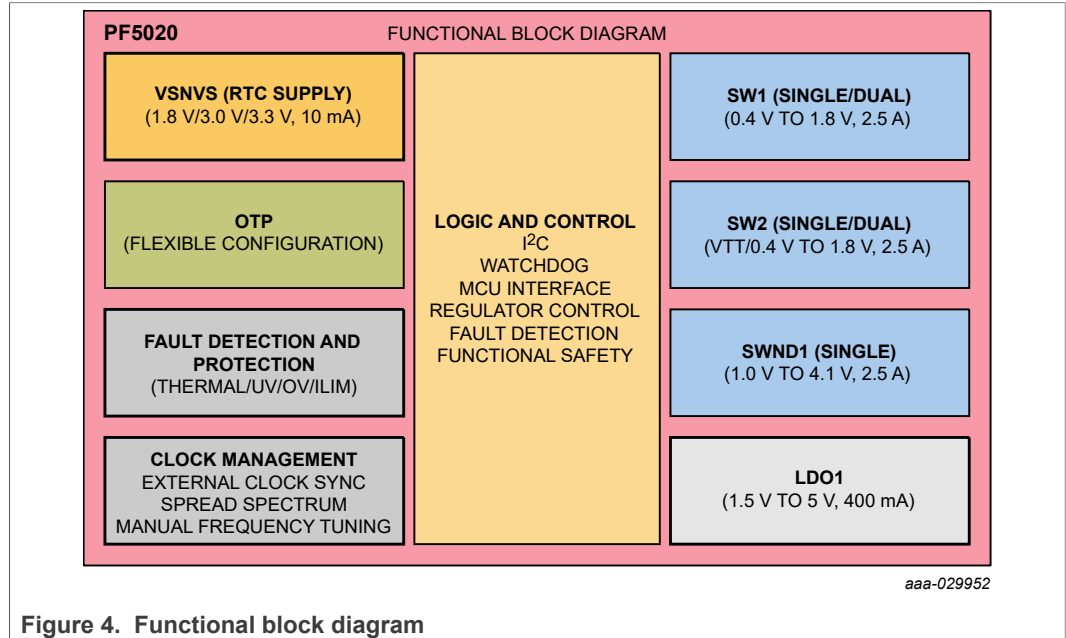


Figure 4. Functional block diagram

### 12.3 Power tree summary

The following table provides a summary of the voltage regulators in the PF5020.

Table 8. Voltage supply summary

Regulator	Type	Input supply	Regulated output range (V)	VOUT programmable step (mV)	IRATED (mA)
SW1	Buck	SW1IN	0.4 V to 1.8 V	6.25	2500
SW2	Buck	SW2IN	VTT/0.4 V to 1.8 V	6.25	2500
SWND1	Buck	SWND1IN	1.0 V to 4.1 V	—	2500
LDO1	Linear	LDO1IN	1.5 V to 5.0 V	—	400
VSNVS	LDO/Switch	VIN/LICELL	1.8 V/3.0 V/3.3 V	—	10

### 12.4 Device differences

Table 9. Device differences

Description	PF5020 non-safety	PF5020 ASIL B	Bits not available on PF5020 non-safety
During the self-test, the device checks: <ul style="list-style-type: none"> <li>The high speed oscillator circuit is operating within a maximum of 15 % tolerance</li> <li>A CRC is performed on the mirror registers during the self-test routine to ensure the integrity of the registers before powering up</li> <li>The output of both the voltage generation bandgap and the monitoring bandgap are not more than 5 % to 12 % apart from each other</li> <li>ABIST test on all voltage monitors and toggling signals</li> </ul>	Not available	Available	AB_SWx_OV AB_SWx_UV AB_LDO1_OV AB_LDO1_UV STEST_NOK AB_RUN



Table 9. Device differences...continued

Description	PF5020 non-safety	PF5020 ASIL B	Bits not available on PF5020 non-safety
Fail-safe state: to lock down the system in case of critical failures cycling the PMIC ON/OFF.	Not available	Available	FS_CNT[3:0] OTP_FS_BYPASS OTP_FS_MAX_CNT[3:0] OTP_FS_OK_TIMER[2:0]
Secure I <sup>2</sup> C write: I <sup>2</sup> C write procedure to modify registers dedicated to safety features (I <sup>2</sup> C CRC is still available).	Not available	Available	I2C_SECURE_EN OTP_I2C_SECURE_EN (always 0) RANDOM_GEN[7:0] RANDOM_CHK[7:0]



Power management integrated circuit (PMIC) for high performance applications

Table 10. State machine transition definition

Symbol	Description	Conditions
Transition A	Standby to run	1. (STANDBY = 0 && STANDBYINV bit = 0)
		2. (STANDBY = 1 && STANDBYINV bit = 1)
Transition B	Run to standby	1. (STANDBY = 1 && STANDBYINV bit = 0)
		2. (STANDBY = 0 && STANDBYINV bit = 1)
Transition C	System ON to WD reset	1. Hard WD Reset event
Transition D	WD reset to system ON	1. 30 $\mu$ s delay passed && WD_EVENT_CNT < WD_MAX_CNT
Transition E	WD reset to power down (fault)	1. WD_EVENT_CNT = WD_MAX_CNT
Transition J	LP_Off to self-test (PF5020 ASIL B only)	Transitory off state: device pass through LP_Off to self-test to QPU_Off (no power up event present) 1. LPM_OFF = 1 && TBBEN = Low
		Power up event from LP_Off state 2. LPM_OFF = 0 && TBBEN = Low && (PWRON = 1 && OTP_PWRON_MODE = 0) && UVDET < VIN < VIN_OVLO (or VIN_OVLO disabled) && T <sub>J</sub> < TSD && TRIM_NOK = 0 && OTP_NOK = 0
		Power up event from LP_Off state 3. LPM_OFF = 0 && TBBEN = Low && (PWRON H to L && OTP_PWRON_MODE = 1) && UVDET < VIN < VIN_OVLO (or VIN_OVLO disabled) && T <sub>J</sub> < TSD && TRIM_NOK = 0 && OTP_NOK = 0
		Conditions: Transitory OFF state to go into TBB mode. Device pass through LP_Off to self-test to QPU_Off (no power up event present) 4. TBBEN = high (V1P5D)
Transition K	Self-test to QPU_Off (PF5020 ASIL B only)	1. Pass self-tests
		2. TBBEN = high (V1P5D)
Transition F	LP_Off to QPU_Off (PF5020 QM only)	Transitory OFF state: device pass through LP_Off to QPU_Off (no power up event present) 1. LPM_OFF = 1 && TBBEN = Low
		Power up event from LP_Off state 2. LPM_OFF = 0 && TBBEN = Low && (PWRON = 1 && OTP_PWRON_MODE = 0) && UVDET < VIN < VIN_OVLO (or VIN_OVLO disabled) && T <sub>J</sub> < TSD && TRIM_NOK = 0 && OTP_NOK = 0
		Power up event from LP_Off state 3. LPM_OFF = 0 && TBBEN = Low && (PWRON H to L && OTP_PWRON_MODE = 1) && UVDET < VIN < VIN_OVLO (or VIN_OVLO disabled) && T <sub>J</sub> < TSD && TRIM_NOK = 0 && OTP_NOK = 0
		Transitory OFF state: device pass through LP_Off to QPU_Off (no power up event present) 4. TBBEN = High (V1P5D)

Table 10. State machine transition definition...continued

Symbol	Description	Conditions
Transition L	QPU_Off to power up	Transitory QPU_Off state, power on event occurs from LP_Off state, after self-test is passed, QPU_Off is just a transitory state until power up sequence starts. 1. LPM_OFF = 0 && TBBEN = Low && TRIM_NOK = 0 && OTP_NOK = 0 && STEST_NOK = 0 && OTP_XFAILB_EN = 0
		Power up event from QPU_Off state 2. LPM_OFF = 0 && TBBEN = Low && TRIM_NOK = 0 && OTP_NOK = 0 && STEST_NOK = 0 && OTP_XFAILB_EN = 0
		Power up event from QPU_Off state 3. LPM_OFF = 1 && (PWRON = 1 && OTP_PWRON_MODE = 0) && UVDET < VIN < VIN_OVLO (or VIN_OVLO disabled) && T <sub>J</sub> < T <sub>SD</sub> && TRIM_NOK = 0 && OTP_NOK = 0 && STEST_NOK=0 && OTP_XFAILB_EN = 0
		Power up event from QPU_Off state 4. LPM_OFF = 1 && (PWRON = 1 && OTP_PWRON_MODE = 0) && UVDET < VIN < VIN_OVLO (or VIN_OVLO disabled) && T <sub>J</sub> < T <sub>SD</sub> && TRIM_NOK = 0 && OTP_NOK = 0 && STEST_NOK = 0 && OTP_XFAILB_EN=1 && XFAILB = 1
		Power up event from QPU_Off state 5. LPM_OFF = 1 && (PWRON H to L && OTP_PWRON_MODE = 1) && UVDET < VIN < VIN_OVLO (or VIN_OVLO disabled) && T <sub>J</sub> < T <sub>SD</sub> && TRIM_NOK = 0 && OTP_NOK = 0 && STEST_NOK = 0 && OTP_XFAILB_EN = 0
		Power up event from QPU_Off state 6. LPM_OFF = 1 && (PWRON H to L && OTP_PWRON_MODE = 1) && UVDET < VIN < VIN_OVLO (or VIN_OVLO disabled) && TRIM_NOK = 0 && OTP_NOK = 0 && STEST_NOK = 0 && OTP_XFAILB_EN = 1 && XFAILB = 1
		Power up event from QPU_Off state 7. TBBEN = High && (PWRON = 1 && OTP_PWRON_MODE = 0) && UVDET < VIN < VIN_OVLO (or VIN_OVLO disabled) && T <sub>J</sub> < T <sub>SD</sub> && TRIM_NOK = 0 && OTP_NOK = 0 && STEST_NOK = 0 && OTP_XFAILB_EN = 0
		Power up event from QPU_Off state 8. TBBEN = High && (PWRON = 1 && OTP_PWRON_MODE = 0) && UVDET < VIN < VIN_OVLO (or VIN_OVLO disabled) && T <sub>J</sub> < T <sub>SD</sub> && TRIM_NOK = 0 && OTP_NOK = 0 && STEST_NOK = 0 && OTP_XFAILB_EN = 1 && XFAILB = 1

## Power management integrated circuit (PMIC) for high performance applications

Table 10. State machine transition definition...continued

Symbol	Description	Conditions
		Power up event from QPU_Off state 9. TBBEN = High && (PWRON H to L && OTP_PWRON_MODE = 1) && UVDET < VIN < VIN_OVLO (or VIN_OVLO disabled) && T <sub>J</sub> < T <sub>SD</sub> && TRIM_NOK = 0 && OTP_NOK = 0 && STEST_NOK = 0 && OTP_XFAILB_EN = 0
		Power up event from QPU_Off state 10. TBBEN = High && (PWRON H to L && OTP_PWRON_MODE = 1) && UVDET < VIN < VIN_OVLO (or VIN_OVLO disabled) && T <sub>J</sub> < T <sub>SD</sub> && TRIM_NOK = 0 && OTP_NOK = 0 && STEST_NOK = 0 && OTP_XFAILB_EN = 1 && XFAILB = 1
Transition M	Power up sequence to system ON	1. RESETBMCU is released as part of the power up sequence
Transition N	System ON to power down (turn off)	Requested turn off event 1. OTP_PWRON_MODE = 0 && PWRON = 0
		Requested turn off event 2. OTP_PWRON_MODE = 1 && (PWRON H to L && PWRON = low for t > TRESET)
		Requested turn off event 3. PMIC_OFF = 1 && 500µs_Shutdown_Timer_Expired
		Protective turn off event (no PMIC fault) 4. VIN_OVLO_SDWN = 1 && VIN_OVLO detected for longer than VIN_OVLO_DBNC time
		External turn off event 5. OTP_XFAILB_EN = 1 && XFAILB = 0
Transition Z	System ON to power down (fault)	Turn off event due to PMIC fault 1. Fault timer expired
		Turn off event due to PMIC fault 2. FAULT_CNT = FAULT_MAX_CNT
		Turn off event due to PMIC fault 3. Thermal shutdown T <sub>J</sub> > TSD
Transition O	Power down (turn off) to LP_Off	Requested turn off event moves directly to LP_Off 1. Power down sequences finished
Transition Q	Power up to power down (fault)	Power up failure 1. Failure during power up sequence
Transition R	Self-test to fail-safe transition	1. Self-tests fail 3 times && TBBEN = low
Transition S	Power down (fault) to fail-safe transition	Turn off event due to a fault condition moves to fail-safe transition 1. Power down sequence is finished
Transition U	Fail-safe transition to LP_Off	1. FS_CNT < FS_MAX_CNT
		2. OTP_FS_BYPASS = 1
Transition P	Fail-safe transition to fail-safe state (PF5020 ASILB only)	1. FS_CNT = FS_MAX_CNT && OTP_FS_BYPASS = 0

## 13.1 State descriptions

### 13.1.1 OTP/TRIM load

Upon VIN application, the V1P5D and V1P5A regulators are turned on automatically. Once the V1P5D and V1P5A cross their respective POR thresholds, the fuses (for trim and OTP) are loaded into the mirror registers and into the functional I<sup>2</sup>C registers if configured by the voltage on the VDDOTP pin.

The fuse circuits have a CRC error check routine which reports and protects against register loading errors on the mirror registers. If a register loading error is detected, the corresponding TRIM\_NOK or OTP\_NOK flag is asserted. See [Section 17 "OTP/TBB and hardware default configurations"](#) for details on handling fuse load errors.

If no fuse load errors are present, VSNVS is configured as indicated in the OTP configuration bits, and the state machine moves to the LP\_off state.

### 13.1.2 LP\_Off state

The LP\_Off state is a low power off mode selectable by the LPM\_OFF bit during the system On mode. By default, the LPM\_OFF = 0 when VIN crosses the UVDET threshold, therefore the state machine stops at the LP\_Off state until a valid power up event is present. When LPM\_OFF = 1, the state machine transitions automatically to the QPU\_Off state if no power up event has been present and waits in the QPU\_Off until a valid power up event is present.

The selection of the LPM\_OFF bit is based on whether prioritizing low quiescent current (stay in the LP\_Off state) or quick power up (move to the QPU\_Off state).

If a power up event is started in LP\_Off state with LPM\_OFF = 0 and a fuse loading error is detected, the PF5020 ignores the power up event and remains in the LP\_Off state to avoid any potential damage to the system.

### 13.1.3 Self-test routine (PF5020 ASIL B only)

When the device transitions from the LP\_Off state, it turns on all necessary internal circuits as it moves into the self-test routine and performs a self-check routine to verify the integrity of the internal circuits.

During the self-test routine the following blocks are verified:

- The high speed clock circuit is operating within a maximum of 15 % tolerance
- The output of both the voltage generation bandgap and the monitoring bandgap are not more than 5 % to 12 % apart from each other
- A CRC is performed on the mirror registers during the self-test routine, to ensure the integrity of the registers before powering up
- ABIST test on all voltage monitors.

To allow for varying settling times for the internal bandgap and clocks, the self-test block is executed up to three times (with 2.0 ms between each test) if a failure is encountered, the state machine proceeds to the fail-safe transition.

A failure in the ABIST test is not interpreted as a self-test failure and it only sets the corresponding ABIST flag for system information. The MCU is responsible for reading the information and deciding whether it can continue with a safe operation. See [Section 18.1 "System safety strategy"](#) for the functional safety strategy of PF5020.

Upon a successful self-test, the state machine proceeds to the QPU\_Off state.

#### 13.1.4 QPU\_Off state

The QPU\_Off state is a higher power consumption Off mode, in which all internal circuitry required for a power on is biased and ready to start a power up sequence.

If LPM\_OFF = 1 and no turn on event is present, the device stops at the QPU\_Off state, and waits until a valid turn on event is present.

In this state, if VDDIO supply is provided externally, the device is able to communicate through I<sup>2</sup>C to access and modify the mirror registers in order to operate the device in TBB mode or to program the OTP registers as described in [Section 17 "OTP/TBB and hardwire default configurations"](#).

If a power up event is started and any of the TRIM\_NOK, OTP\_NOK or STEST\_NOK flags are asserted, the device ignores the power up event and remains in the QPU\_Off state. See [Section 17 "OTP/TBB and hardwire default configurations"](#) for debugging a fuse loading failure.

Upon a power up event, the default configuration from OTP or hardwire is loaded into their corresponding I<sup>2</sup>C functional register in the transition from QPU\_Off to power up state.

#### 13.1.5 Power up sequence

During the power up sequence, the external regulators are turned on in a predefined order as programmed by the default (OTP or hardwire) sequence.

The RESETBMCU is also programmed as part of the power up sequence, and it is used as the condition to enter the system On state. The RESETBMCU may be released in the middle of the power up sequence, in this case, the remaining supplies in the power up continues to power up as the device is in the run state. See [Section 14.5.2 "Power up sequencing"](#) for details.

#### 13.1.6 System On state

During the system On state, the MCU is powered and out of reset and the system is fully operational.

The system On is a virtual state composed by two modes of operations:

- Run state
- Standby state

Register to control the regulators output voltage, regulator enable, interrupt masks, and other miscellaneous functions can be written to or read from the functional I<sup>2</sup>C register map during the system On state.

##### 13.1.6.1 Run state

If the power up state is successfully completed, the state machine transitions to the run state. In this state, RESETBMCU is released high, and the MCU is expected to boot up and set up specific registers on the PMIC as required during the system boot up process.

The Run mode is intended to be used as the normal mode of operation for the system.

## Power management integrated circuit (PMIC) for high performance applications

Each regulator has specific registers to control its output voltage, operation mode and/or enable/disable state during the run state.

By default, the VSWx\_RUN[7:0] / VLDOx\_RUN[3:0] registers are loaded with the data stored in the OTP\_VSWx[7:0] or OTP\_VLDOx[3:0] bits respectively.

SWND1 uses only one global register to configure the output voltage during run or standby mode. Upon power up, the VSWND1[4:0] bits are loaded with the values of the OTP\_VSWND1[4:0].

Upon power up, if the switching regulator is part of the power up sequence, the SWx\_RUN\_MODE[1:0] bits will be loaded as needed by the system:

- When OTP\_SYNC\_MODE = 1, default SWx\_RUN\_MODE at power up is always set to PWM (0b01)
- When OTP\_SYNC\_MODE = 0 and OTP\_SYNCOUT\_EN = 1, default SWx\_RUN\_MODE at power up is always set to PWM (0b01)
- When OTP\_FSS\_EN = 1, default SWx\_RUN\_MODE at power up shall always set to PWM (0b01)
- If none of the above conditions are met, the default value of the SWx\_RUN\_MODE bits at power up will be set by the OTP\_SW\_MODE bits.

When OTP\_SW\_MODE = 0, the default value of the SWx\_RUN\_MODE bits are set to 0b11 (autoskip).

When OTP\_SW\_MODE = 1, the default value of the SWx\_RUN\_MODE bits are set to 0b01 (PWM).

If the switching regulator is not part of the power up sequence, the SWx\_RUN\_MODE[1:0] bits are loaded with 0b00 (Off mode).

Likewise, if the LDO is part of the power up sequence, the LDOx\_RUN\_EN bit is set to 1 (enabled) by default. If the LDO is not selected as part of the power up sequence, the LDOx\_RUN\_EN bit is set to 0 (disabled) by default.

In a typical system, each time the processor boots up (PMIC transitions from Off mode to run state), all output voltage configurations are reset to the default OTP configuration, and the MCU should configure the PMIC to its desired usage in the application.

### 13.1.6.2 Standby state

The standby state is intended to be used as a low power (state retention) mode of operation. In this state, the voltage regulators can be preset to a specific low power configuration in order to reduce the power consumption during system's sleep or state retention modes of operations.

The standby state is entered when the STANDBY pin is pulled high or low as defined by the STANDBYINV bit. The STANDBY pin is pulled high/low by the MCU to enter/exit system low power mode. See [Section 14.9.2 "STANDBY"](#) for detailed configuration of the STANDBY pin.

Each regulator has specific registers to control its output voltage, operation mode and/or enable/disable state during the standby state.

By default, the VSWx\_STBY[7:0] / VLDOx\_STBY[3:0] registers are loaded with the data stored in the OTP\_VSWx[7:0] or OTP\_VLDOx[3:0] bits respectively.

Upon power up, if the switching regulator is part of the power up sequence, the SWx\_STBY\_MODE[1:0] bits will be loaded as needed by the system:



- When `OTP_SYNC_MODE = 1`, default `SWx_STBY_MODE` at power up is always set to PWM (0b01)
- When `OTP_SYNC_MODE = 0` and `OTP_SYNCOUT_EN = 1`, default `SWx_STBY_MODE` at power up is always set to PWM (0b01)
- When `OTP_FSS_EN = 1`, default `SWx_STBY_MODE` at power up shall always set to PWM (0b01)
- If none of the above conditions are met, the default value of the `SWx_STBY_MODE` bits at power up will be set by the `OTP_SW_MODE` bits.

When `OTP_SW_MODE = 0`, the default value of the `SWx_STBY_MODE` bits are set to 0b11 (autoskip).

When `OTP_SW_MODE = 1`, the default value of the `SWx_STBY_MODE` bits are set to 0b01 (PWM).

If the switching regulator is not part of the power up sequence, the `SWx_STBY_MODE[1:0]` bits are loaded with 0b00 (Off mode).

Likewise, if the LDO is part of the power up sequence, the `LDOx_RUN_EN` bit is set to 1 (enabled) by default. If the LDO is not selected as part of the power up sequence, the `LDOx_RUN_EN` bit is set to 0 (disabled) by default.

Upon power up, the standby registers are loaded with the same default OTP values as the run mode. The MCU is expected to program the desired standby values during boot up.

If any of the external regulators are disabled in the standby state, the power down sequencer is engaged as described in [Section 14.6.2 "Power down sequencing"](#).

### 13.1.7 WD\_Reset

When a hard watchdog reset is present, the state machine increments the `WD_EVENT_CNT[3:0]` register and compares against the `WD_MAX_CNT[3:0]` register. If `WD_EVENT_CNT[3:0] = WD_MAX_CNT[3:0]`, the state machine detects a cyclic watchdog failure, it powers down the external regulators and proceeds to the fail-safe transition.

If `WD_EVENT_CNT[3:0] < WD_MAX_CNT[3:0]`, the state machine performs a hard WD reset.

A hard WD reset can be generated from either a transition in the WDI pin or a WD event initiated by the internal watchdog counter as described in [Section 15.10.2 "Watchdog reset behaviors"](#).

### 13.1.8 Power down state

During power down state, all regulators except VSNVS are disabled as configured in the power down sequence. The power down sequence is programmable as defined in [Section 14.6.2 "Power down sequencing"](#).

Two types of events may lead to the power down sequence:

- Non faulty turn off events: move directly into LP\_Off state as soon as power down sequence is finalized.
- Turn off events due to a PMIC fault: move to the fail-safe transition as soon as the power down sequence is finalized.

### 13.1.9 Fail-safe transition

The fail-safe transition is entered if the PF5020 initiates a turn off event due to a PMIC fault.

If the fail-safe transition is entered, the PF5020 provides four FAIL bits to indicate the source of the failure:

- The PU\_FAIL is set to 1 when the device shuts down due to a power up failure
- The WD\_FAIL is set to 1 when the device shuts down due to a watchdog event counter max out
- The REG\_FAIL is set to 1 when the device shuts down due to a regulator failure (fault counter maxed out or fault timer expired)
- The TSD\_FAIL is set to 1 when the device shuts down due to a thermal shutdown

The value of the FAIL bits is retained as long as  $V_{IN} > UVDET$ .

The MCU can read the FAIL bits during the system On state in order to obtain information about the previous failure and can clear them by writing a 1 to them, provided the state machine is able to power up successfully after such failure.

In the PF5020, when the state machine enters the fail-safe transition, a fail-safe counter is compared and increased, if the FS\_CNT[3:0] reaches the maximum count, the device can be programmed to move directly to the fail-safe state to prevent a cyclic failure from happening.

### 13.1.10 Fail-safe state (PF5020 ASIL B only)

The fail-safe state works as a safety lock-down upon a critical device/system failure. It is reached when the FS\_CNT [3:0] = FS\_MAX\_CNT [3:0].

A bit is provided to enable or disable the device to enter the fail-safe state upon a cyclic failure. When the OTP\_FS\_BYPASS = 1, the fail-safe bypass operation is enabled and the device always move to the LP\_Off state, regardless of the value of the FS\_CNT[3:0]. If the OTP\_FS\_BYPASS = 0, the fail-safe bypass is disabled, and the device moves to the fail-safe state when the proper condition is met.

The maximum number of times the device can pass through the fail-safe transition continuously prior to moving to a fail state is programmed by the OTP\_FS\_MAX\_CNT[3:0] bits. If the FS\_MAX\_CNT[3:0] = 0x00, the device moves into the fail-safe state as soon as it fails for the very first time.

The device can exit the fail-safe state only after a power cycle ( $V_{IN}$  crossing UVDET) event is present.

To avoid reaching the fail-safe state due to isolated fail-safe transition events, the FS\_CNT [3:0] is gradually decreased based on a fail-safe OK timer. The OTP\_FS\_OK\_TIME[2:0] bits select the default time configuration for the fail-safe OK timer between 1 to 60 min.

Table 11. Fail-safe OK timer configuration

OTP_FS_OK_TIME[2:0]	FS_CNT decrease period (min)
000	1
001	5
010	10
011	15
100	20
101	30
110	45
111	60

When the fail-safe OK timer reaches the configured time during the system On state, the state machine decreases the FS\_CNT[3:0] bits by one and starts a new count until the FS\_CNT[3:0] is 0x00. The FS\_CNT[3:0] may be manually cleared during the system On state if the system wants to control this counter manually.

## 14 General device operation

### 14.1 UVDET

UVDET works as the main operation threshold for the PF5020. Crossing UVDET on the rising edge is a mandatory condition for OTP fuses to be loaded into the mirror registers and allows the main PF5020 operation.

If VIN is below the UVDET threshold, the device remains in an unpowered state. A 200 mV hysteresis is implemented on the UVDET comparator to set the falling threshold.

Table 12. UVDET threshold

Symbol	Parameter	Min	Typ	Max	Unit
UVDET	Rising UVDET	2.7	2.8	2.9	V
UVDET	Falling UVDET	2.5	2.6	2.7	V

### 14.2 VIN OVLO condition

The VIN\_OVLO circuit monitors the main input supply of the PF5020. When this block is enabled, the PF5020 monitors its input voltage and can be programmed to react to an overvoltage in two ways:

- When the VIN\_OVLO\_SDWN = 0, the VIN\_OVLO event triggers an OVLO interrupt but does not turn off the device
- When the VIN\_OVLO\_SDWN = 1, the VIN\_OVLO event initiates a power down sequence

When the VIN\_OVLO\_EN = 0, the OVLO monitor is disabled and when the VIN\_OVLO\_EN = 1, the OVLO monitor is enabled. The default configuration of the VIN\_OVLO\_EN bit is set by the OTP\_VIN\_OVLO\_EN bit in OTP. Likewise, the default value of the VIN\_OVLO\_SDWN bit is set by the OTP\_VIN\_OVLO\_SDWN upon power up.

During a power up transition, if the OTP\_VIN\_OVLO\_SDWN = 0 the device allows the external regulators to come up and the PF5020 announces the VIN\_OVLO condition

through an interrupt. If the `OTP_VIN_OVLO_SDWN = 1`, the device stops the power up sequence and returns to the corresponding Off mode.

Debounce on the `VIN_OVLO` comparator is programmable to 10  $\mu$ s, 100  $\mu$ s or 1.0 ms, by the `VIN_OVLO_DBNC[1:0]` bits. The default value for the `VIN_OVLO` debounce is set by the `OTP_VIN_OVLO_DBNC[1:0]` bits upon power up.

**Table 13. VIN\_OVLO debounce configuration**

VIN_OVLO_DBNC[1:0]	VIN OVLO debounce value ( $\mu$ s)
00	10
01	100
10	1000
11	Reserved

**Table 14. VIN\_OVLO specifications**

Symbol	Parameter	Min	Typ	Max	Unit
VIN_OVLO	VIN overvoltage lockout rising <sup>[1]</sup>	5.6	5.8	6.0	V
VIN_OVLO_HYS	VIN overvoltage lockout hysteresis <sup>[1]</sup>	—	—	200	mV

[1] Operating the device above the maximum `VIN = 5.5 V` for extended period of time may degrade and cause permanent damage to the device.

### 14.3 IC startup timing with PWRON pulled up

The PF5020 features a fast internal core power up sequence to fulfill system power up timings of 5.0 ms or less, from power application until MCU is out of reset. Such requirement needs a maximum ramp up time of 1.5 ms for `VIN` to cross the `UVDET` threshold in the rising edge.

A maximum core biasing time of 1.5 ms from `VIN` crossing to `UVDET` until the beginning of the power up sequence is ensured to allow up to 1.5 ms time frame for the voltage regulators power up sequence.

Timing for the external regulators to start up is programmed by default in the OTP fuses.

The 5.0 ms power up timing requirement is only applicable when the `PWRON` pin operates in level sensitive mode `OTP_PWRON_MODE = 0`, however turn on timing is expected to be the same for both level or edge sensitive modes after the power on event is present.

In applications using the `VSNVS` regulator, if `VSNVS` is required to reach regulation before system regulators come up, the system should use the `SEQ[7:0]` bits to delay the system regulators to allow enough time for `VSNVS` to reach regulation before the power up sequence is started.

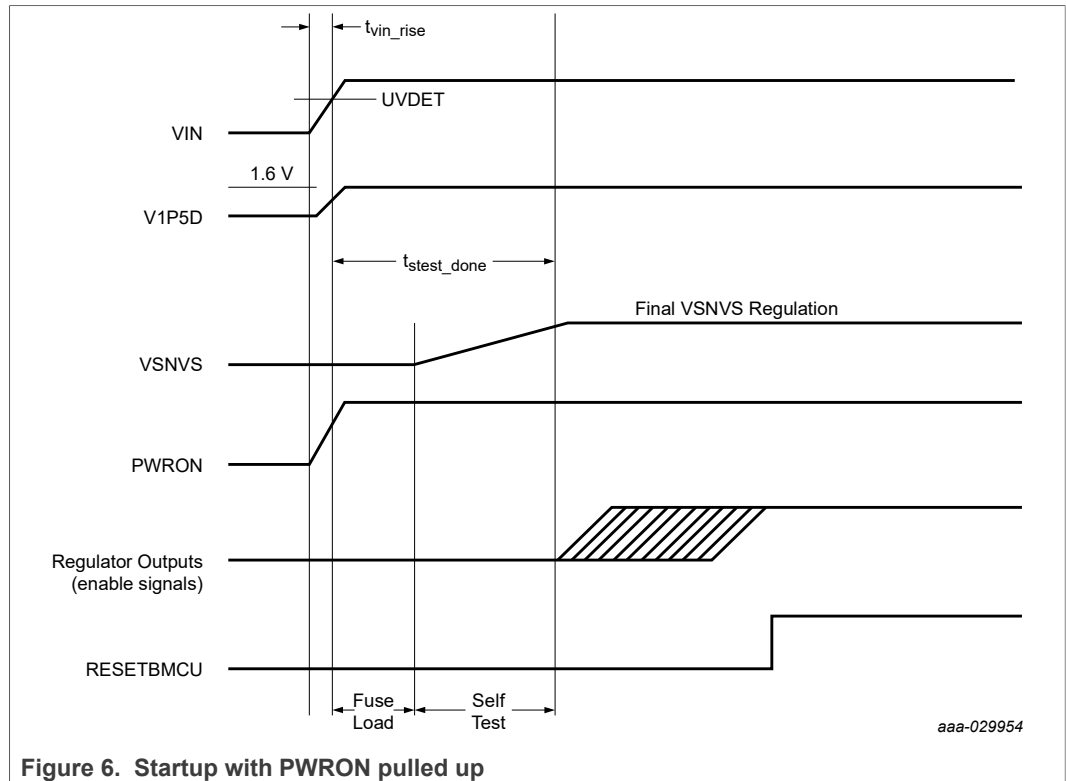


Table 15. Startup timing requirements (PWRON pulled up)

Symbol	Parameter	Min	Typ	Max	Unit
$t_{vin\_rise}$	Rise time of VIN from VPWR application to UVDET (system dependent)	10	—	1500	$\mu s$
$t_{stest\_done}$	Time from VIN crossing UVDET to first slot of power up sequence	—	—	1.5	ms

### 14.4 IC startup timing with PWRON pulled low during VIN application

It is possible that PWRON is held low when VIN is applied. By default, LPM\_OFF bit is reset to 0 upon crossing UVDET, therefore the PF5020 remains in the LP\_Off state as described in [Section 13.1.2 "LP\\_Off state"](#). In this scenario, the quiescent current in the LP\_Off state is kept to a minimum. When PWRON goes high with LPM\_OFF = 0, the PMIC startup is expected to take longer, since it has to enable most of the internal circuits and perform the self-test before starting a power up sequence.

[Figure 7](#) shows startup timing with LPM\_OFF = 0.

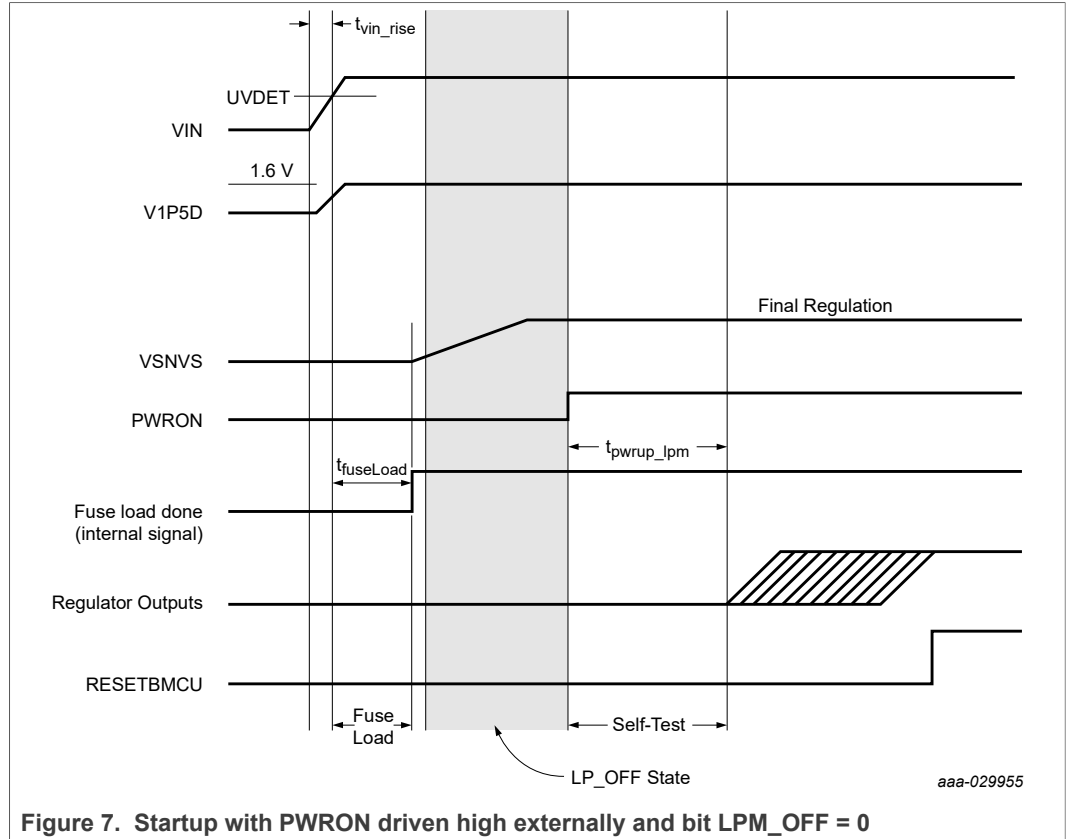


Figure 7. Startup with PWRON driven high externally and bit LPM\_OFF = 0

Table 16. Startup with PWRON driven high externally and LPM\_OFF = 0

Symbol	Parameter	Min	Typ	Max	Unit
$t_{vin\_rise}$	Rise time of VIN from VPWR application to UVDET (system dependent)	10	—	1500	$\mu$ s
$t_{fuseload}$	Time from VIN crossing UVDET to Fuse_Load_done (fuse loaded correctly)	—	—	600	$\mu$ s
$t_{pwrup\_lpm}$	Time from PWRON going high to the first slot of the power up sequence	—	—	800	$\mu$ s

## 14.5 Power up

### 14.5.1 Power up events

Upon a power cycle ( $VIN > UVDET$ ), the LPM\_OFF bit is reset to 0, therefore the device moves to the LP\_Off state by default. The actual value of the LPM\_OFF bit can be changed during the Run mode and is maintained until VIN crosses the UVDET threshold.

In either one of the Off modes, the PF5020 can be enabled by the following power up events:

1. When OTP\_PWRON\_MODE = 0, PWRON pin is pulled high.
2. When OTP\_PWRON\_MODE = 1, PWRON pin experiences a high to low transition and remains low for as long as the PWRON\_DBNC timer.

A power up event is valid only if:

- $VIN > UVDET$
- $VIN < VIN_{OVLO}$  (unless the OVLO is disabled or  $OTP\_VIN\_OVLO\_SDWN = 0$ )

- $T_j <$  thermal shutdown threshold
- TRIM\_NOK = 0 && OTP\_NOK = 0 && STEST\_NOK = 0

**14.5.2 Power up sequencing**

The power up sequencer controls the time and order in which the voltage regulators and other controlling I/O are enabled when going from the Off mode into the run state.

The OTP\_SEQ\_TBASE[1:0] bits set the default time base for the power up and power down sequencer.

The SEQ\_TBASE[1:0] bits can be modified during the system On state in order to change the sequencer timing during run/standby transitions as well as the power down sequence.

**Table 17. Power up time base register**

OTP bits OTP_SEQ_TBASE[1:0]	Functional bits SEQ_TBASE[1:0]	Sequencer time base ( $\mu$ s)
00	00	30
01	01	120
10	10	250
11	11	500

The power up sequence may include any of the following:

- Switching regulators
- LDO regulator
- PGOOD pin if programmed as a GPO
- RESETBMCU

The default sequence slot for each one of these signals is programmed via the OTP configuration registers. They can be modified in the functional I<sup>2</sup>C register map to change the order in which the sequencer behaves during the run/standby transitions as well as the power down sequence.

The x\_SEQ[7:0] bits set the regulator/pin sequence from 0 to 254. Sequence code 0x00 indicates that the particular output is not part of the startup sequence and remains in OFF (in case of a regulator) or remains low/disabled (in case PGOOD pin used as a GPO).

**Table 18. Power up sequence registers**

OTP bits OTP_SWx_SEQ[7:0]/ OTP_LDOx_SEQ[7:0]/ OTP_PGOOD_SEQ[7:0]/ OTP_RESETBMCU_SEQ[7:0]	Functional bits SWx_SEQ[7:0]/ LDOx_SEQ[7:0]/ PGOOD_SEQ[7:0]/ RESETBMCU_SEQ[7:0]	Sequence slot	Startup time ( $\mu$ s)
00000000	00000000	Off	Off
00000001	00000001	0	SLOT0 (right after PWRON event is valid)
00000010	00000010	1	SEQ_TBASE x SLOT1
.	.	.	.
.	.	.	.
.	.	.	.
11111111	11111111	254	SEQ_TBASE x SLOT254

If RESETBMCU is not programmed in the OTP sequence, it will be enabled by default after the last regulator programmed in the power up sequence.

When the \_SEQ[7:0] bits of all regulators and PGOOD used as a GPIO are set to 0x00 (OFF) and a power on event is present, the device moves to the run state in companion mode. In this mode, the device is enabled without any voltage regulator or GPO enabled. If the RESETBMCU is not programmed in a power up sequence slot, it is released when the device enters the run state.

The companion mode is a special case of the power up sequence to address the scenario where the PF5020 is working as a secondary PMIC, and supplies are meant to be enabled by the MCU during the system operation. In this scenario, if RESETBMCU is used, it is connected to the primary device RESETBMCU pin.

Figure 8 provides an example of the power up/down sequence coming from the Off modes.

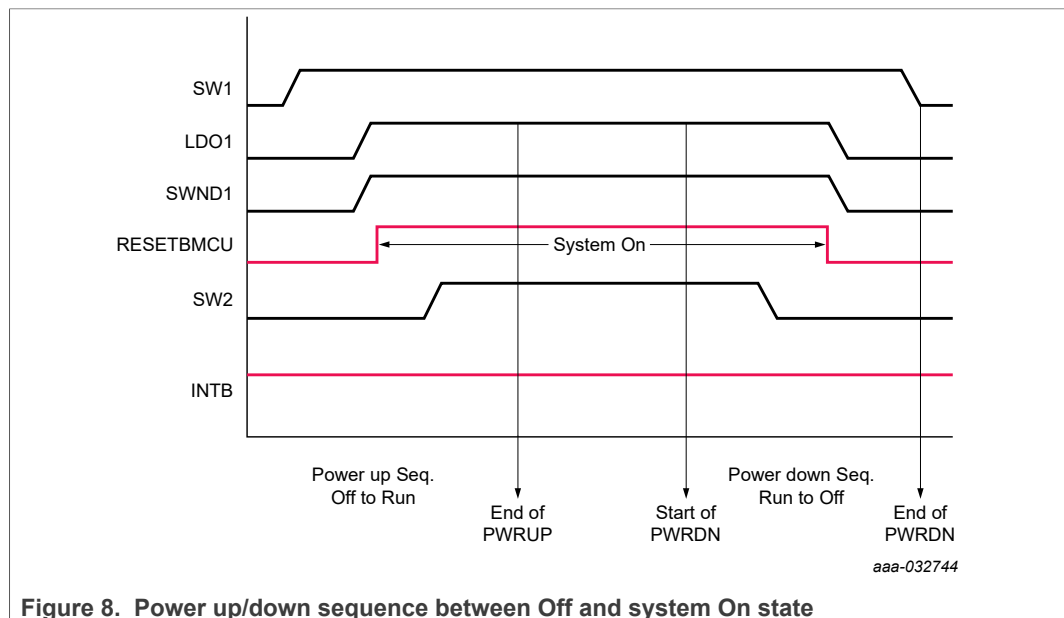


Figure 8. Power up/down sequence between Off and system On state

When transitioning from Standby mode to Run mode, the power up sequencer is activated only if any of the external regulators is re-enabled during this transition. If none of the regulators toggle from Off to On and only voltage changes are being performed when entering or exiting Standby mode, the changes for the voltage regulators are made simultaneously rather than going through the power up sequencer.

Figure 9 shows an example of the power up/down sequence when transitioning between Run and Standby modes.



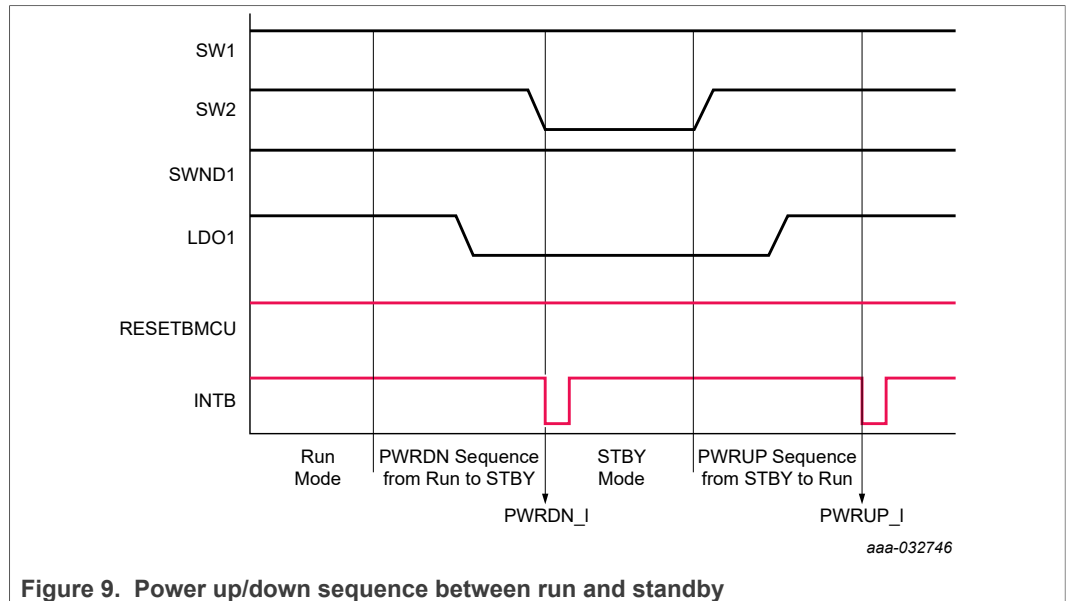


Figure 9. Power up/down sequence between run and standby

The PWRUP\_I interrupt is set while transitioning from standby to run, even if the sequencer is not used. This is used to indicate that the transition is complete and device is ready to perform proper operation.

## 14.6 Power down

### 14.6.1 Turn off events

Turn off events may be requested by the MCU (non-PMIC fault related) or due to a critical failure of the PMIC (hard fault condition).

The following are considered non-PMIC failure turn off events:

1. When `OTP_PWRON_MODE = 0`, the device starts a power down sequence when the PWRON pin is pulled low.
2. When `OTP_PWRON_MODE = 1`, the device starts a power down sequence when the PWRON pin sees a transition from high to low and remains low for longer than TRESET.
3. When bit `PMIC_OFF` is set to 1, the device starts a 500  $\mu$ s shutdown timer. When the shutdown timer is started, the PF5020 sets the `SDWN_I` interrupt and asserts the INTB pin provided it is not masked. At this point, the MCU can read the interrupt and decide whether to continue with the turn off event or stop it in case it was sent by mistake.  
If the `SDWN_I` bit is cleared before the 500  $\mu$ s shutdown timer is expired, the shutdown request is canceled and the shutdown timer is reset; otherwise, if the shutdown timer is expired, the PF5020 starts a power down sequence.  
The `PMIC_OFF` bit self-clears after `SDWN_I` flag is cleared.
4. When `VIN_OVLO_EN = 1` and `VIN_OVLO_SDWN = 1`, and a `VIN_OVLO` event is present.

Turn off events due to a hard fault condition:

1. If an OV, UV or ILIM condition is present long enough for the fault timer to expire.
2. In the event that an OV, UV or ILIM condition appears and clears cyclically, and the `FAULT_CNT[3:0] = FAULT_MAX_CNT[3:0]`.

3. If the watchdog fail counter is overflown, that is `WD_EVENT_CNT = WD_MAX_CNT`.
4. When  $T_j$  crosses the thermal shutdown threshold as the temperature rises.

When the PF5020 experiences a turn off event due to a hard fault condition, the device pass through the fail-safe transition after regulators have been powered down.

### 14.6.2 Power down sequencing

During a power down sequence, output voltage regulators can be turned off in two different modes as defined by the `PWRDWN_MODE` bit.

1. When `PWRDWN_MODE = 0`, the regulators power down in sequential mode.
2. When `PWRDWN_MODE = 1`, the regulators power down by groups.

During transition from run to standby, the power down sequencer is activated in the corresponding mode, if any of the external regulators are turned off in the standby configuration. If external regulators are not turned off during this transition, the power down sequencer is bypassed and the transition happens at once (any associated DVS transitions could still take time).

The `PWRDN_I` interrupt is set at the end of the transition from run to standby when the last regulator has reached its final state, even if external regulators are not turned off during this transition.

#### 14.6.2.1 Sequential power down

When the device is set to the sequential power down, it uses the same `_SEQ[7:0]` registers as the power up sequence to power down in reverse order.

All regulators with the `_SEQ[7:0]` bits set to `0x00`, power down immediately and the remaining regulators power down one `OTP_SEQ_TBASE[1:0]` delay after, in reverse order as defined in the `_SEQ[7:0]` bits.

If `PGOOD` pin is used as a GPO, it is de-asserted as part of the power down sequence as indicated by the `PGOOD_SEQ[7:0]` bits.

If the MCU requires a different power down sequence, it can change the values of the `SEQ_TBASE[1:0]` and the `_SEQ[7:0]` bits during the system On state.

When the state machine passes through any of the Off modes, the contents of the `SEQ_TBASE[1:0]` and `_SEQ[7:0]` bits are reloaded with the corresponding mirror register (OTP) values before it starts the next power up sequence.

#### 14.6.2.2 Group power down

When the device is configured to power down in groups, the regulators are assigned to a specific power down group. All regulators assigned to the same group are disabled at the same time when the corresponding group is due to be disabled.

Power down groups shut down in decreasing order starting from the lowest hierarchy group with a regulator shutting down (for instance Group 4 being the lowest hierarchy and Group 1 the highest hierarchy group). If no regulators are set to the lowest hierarchy group, the power down sequence timer starts off the next available group that contains a regulator to power down.

Each regulator has its own `_PDGRP[1:0]` bits to set the power down group it belongs to as shown in [Table 19](#).

**Table 19. Power down regulator group bits**

OTP_SWx_PDGRP[1:0] OTP_LDO1_PDGRP[1:0] OTP_PGOOD_PDGRP[1:0] OTP_RESETBMCU_PDGRP[1:0]	SWx_PDGRP[1:0] LDO1_PDGRP[1:0] PGOOD_PDGRP[1:0] RESETBMCU_PDGRP[1:0]	Description
00	00	Regulator belongs to Group 4
01	01	Regulator belongs to Group 3
10	10	Regulator belongs to Group 2
11	11	Regulator belongs to Group 1

If PGOOD pin is used as a GPO, the PGOOD\_PDGRP[1:0] is used to turn off the PGOOD pin in a specific group during the power down sequence. If PGOOD pin is used in power good mode, it is recommended that the OTP\_PGOOD\_PDGRP bits are set to 11 to ensure the group power down sequencer does not detect these bits as part of Group 4.

Each one of power down groups have programmable time delay registers to set the time delay after the regulators in this group have been turned off, and the next group can start to power down.

**Table 20. Power down counter delay**

OTP bits OTP_GRPx_DLY[1:0]	Functional bits GRPx_DLY[1:0]	Power down delay (µs)
00	00	120
01	01	250
10	10	500
11	11	1000

If RESETBMCU is required to be asserted first before any of the external regulators from the corresponding group, the RESETBMCU\_DLY provides a selectable delay to disable the regulators after RESETBMCU is asserted.

**Table 21. Programmable delay after RESETBMCU is asserted**

OTP bits OTP_RESETBMCU_DLY[1:0]	Functional bits RESETBMCU_DLY[1:0]	RESETBMCU delay (µs)
00	00	No delay
01	01	10
10	10	100
11	11	500

If RESETBMCU\_DLY is set to 0x00, all regulators in the same power down group as RESETBMCU is disabled at the same time RESETBMCU is asserted.

[Figure 10](#) shows an example of the power down sequence when PWRDWN\_MODE = 1.

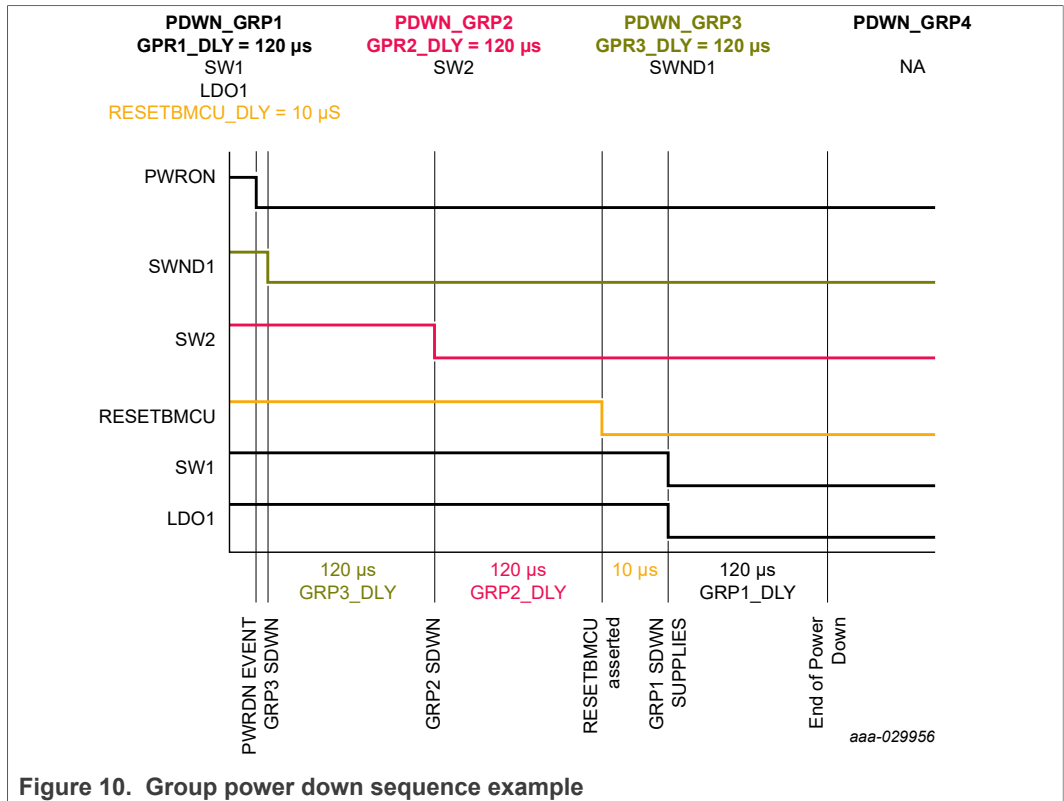


Figure 10. Group power down sequence example

14.6.2.3 Power down delay

After a power down sequence is started, the PWRON pin shall be masked until the sequence is finished and the programmable power down delay is reached. The device can power up again if a power up event is present. The power down delay time can be programmed on an OTP via the OTP\_PD\_SEQ\_DLY[1:0] bits.

Table 22. Power down delay selection

OTP_PD_SEQ_DLY[1:0]	Delay after power down sequence
00	No delay
01	1.5 ms
10	5.0 ms
11	10 ms

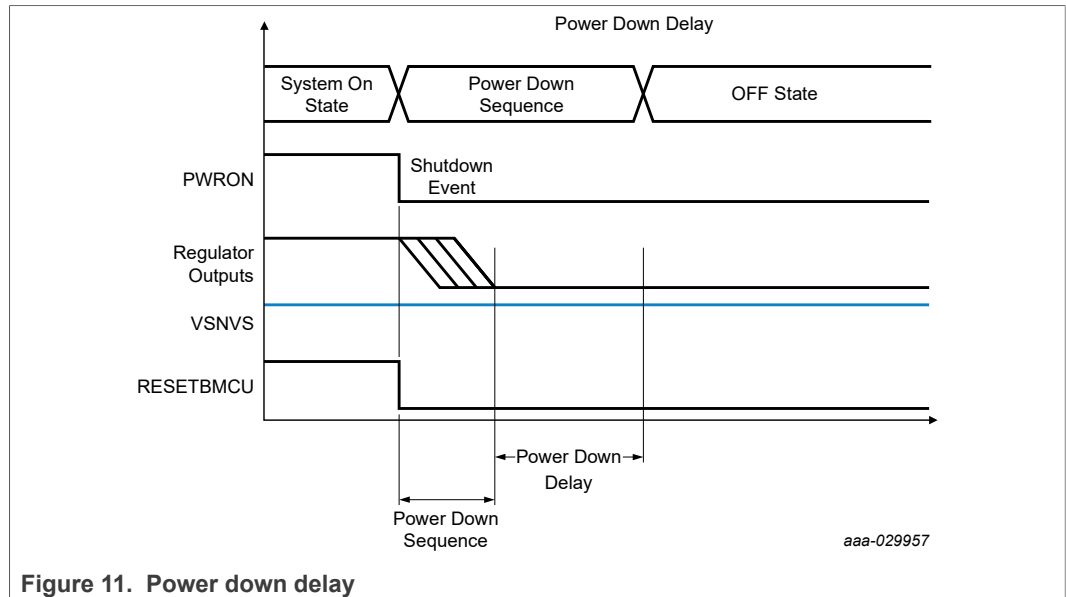


Figure 11. Power down delay

The default value of the OTP\_PD\_SEQ\_DLY[1:0] bits on an unprogrammed OTP device shall be 00.

### 14.7 Fault detection

Three types of faults are monitored per regulator: UV, OV and ILIM. Faults are monitored during power up sequence, run, standby and WD reset states. A fault event is notified to the MCU through the INTB pin if the corresponding fault is not masked.

The fault configuration registers are reset to their default value after the power up sequences, and system must configure them as required during the boot-up process via I<sup>2</sup>C commands.

For each type of fault, there is an I<sup>2</sup>C bit that is used to select whether the regulator is kept enabled or disabled when the corresponding regulator experience a fault event.

SW<sub>x</sub>\_ILIM\_STATE / LDO<sub>x</sub>\_ILIM\_STATE

- 0 = regulator disables upon an ILIM fault event
- 1 = regulator remains on upon an ILIM fault event

SW<sub>x</sub>\_OV\_STATE / LDO<sub>x</sub>\_OV\_STATE

- 0 = regulator disables upon an OV fault event
- 1 = regulator remains on upon an OV fault event

SW<sub>x</sub>\_UV\_STATE / LDO<sub>x</sub>\_UV\_STATE

- 0 = regulator disables upon an UV fault event
- 1 = regulator remains on upon an UV fault event

The following table lists the functional bits associated with enabling/disabling the external regulators when they experience a fault.

Table 23. Regulator control during fault event bits

Regulator	Bit to disable the regulator during current limit	Bit to disable the regulator during undervoltage	Bit to disable the regulator during overvoltage
SW1	SW1_ILIM_STATE	SW1_UV_STATE	SW1_OV_STATE
SW2	SW2_ILIM_STATE	SW2_UV_STATE	SW2_OV_STATE
SWND1	SWND1_ILIM_STATE	SWND1_UV_STATE	SWND1_OV_STATE
LDO1	LDO1_ILIM_STATE	LDO1_UV_STATE	LDO1_OV_STATE

ILIM faults are debounced for 1.0 ms before they can be detected as a fault condition. If the regulator is programmed to disable upon an ILIM condition, the regulator turns off as soon as the ILIM condition is detected.

OV/UV faults are debounced for defined filter time before they are detected as a fault condition. If the regulator is programmed to disable upon an OV or UV, the regulator will turn off if the fault persists for longer than 300 μs after the OV/UV fault has been detected.

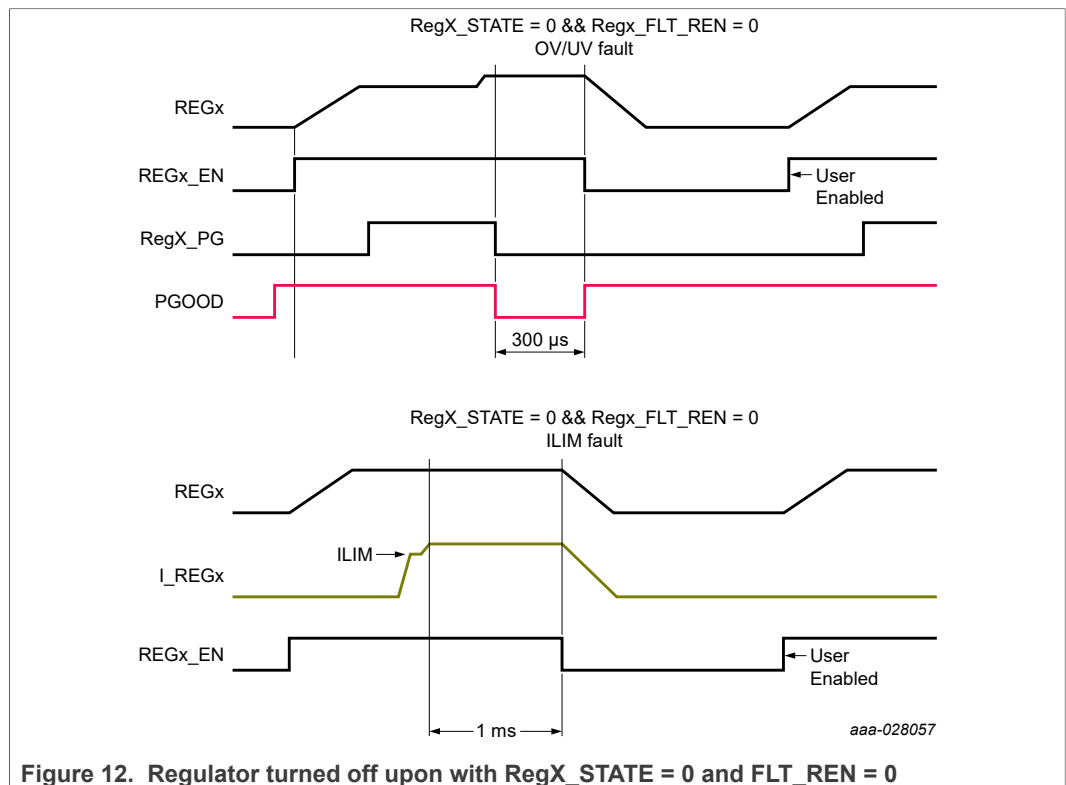


Figure 12. Regulator turned off upon with RegX\_STATE = 0 and FLT\_REN = 0

When a regulator is programmed to disable upon an OV, UV, or ILIM fault, a bit is provided to decide whether a regulator can return to its previous configuration or remain disabled when the fault condition is cleared.

SWx\_FLT\_REN / LDOx\_FLT\_REN

- 0 = regulator remains disabled after the fault condition is cleared or no longer present
- 1 = regulator returns to its previous state if fault condition is cleared

If a regulator is programmed to remain disabled after clearing the fault condition, the MCU can turn it back ON during the system On state by toggling OFF and ON the corresponding mode/enable bits.

Power management integrated circuit (PMIC) for high performance applications

When the bit SW<sub>x</sub>\_FLT\_REN = 1, if a regulator is programmed to turn off upon an OV, UV or ILIM condition, the regulator returns to its previous state 500 μs after the fault condition is cleared. If the regulator is programmed to turn off upon an ILIM condition, the device may take up to 1.0 ms to debounce the ILIM condition removal, in addition to the 500 μs wait period to re-enable the regulator.

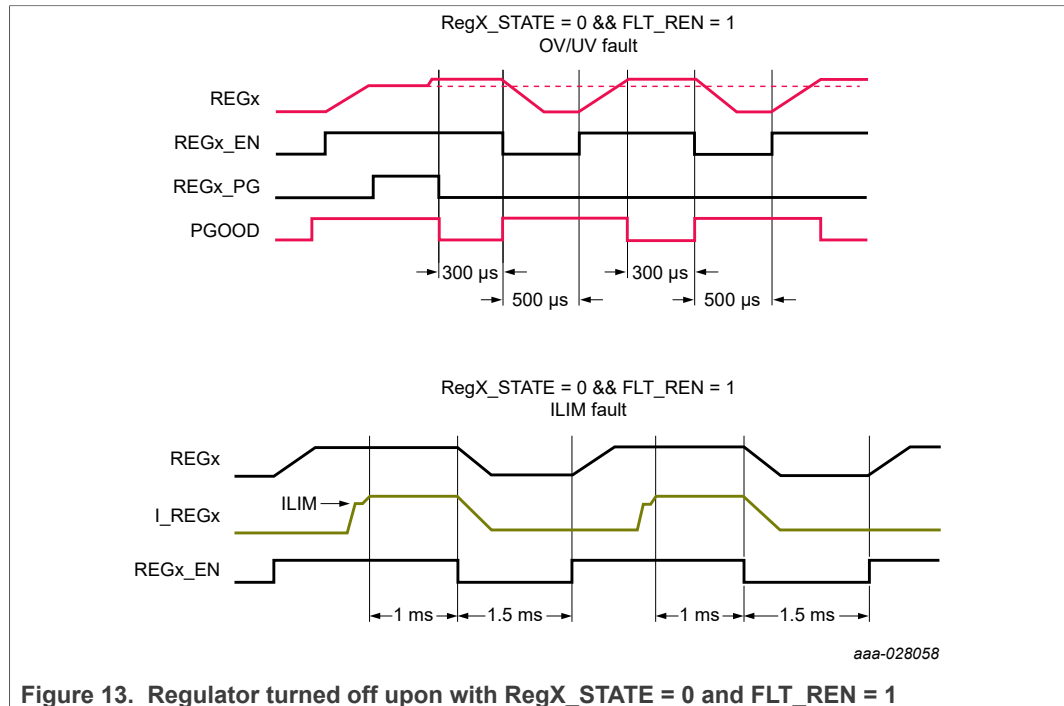


Figure 13. Regulator turned off upon with RegX\_STATE = 0 and FLT\_REN = 1

When any of the regulators is controlled by hardware using the EN<sub>x</sub> pins and programmed to turn off upon an OV, UV or ILIM fault, the \_FLT\_REN bit still controls whether the regulator returns to its previous state or not regardless the state of the EN<sub>x</sub> pin.

To avoid fault cycling, a global fault counter is provided. Each time any of the external regulators encounter a fault event, the PF5020 compares the value of the FAULT\_CNT[3:0] against the FAULT\_MAX\_CNT, and if it not equal, it increments the FAULT\_CNT[3:0] and proceeds with the fault protection mechanism.

The processor is expected to read the counter value and reset it when the faults have been cleared and the device returns to a normal operation. If the processor does not reset the fault counter and it equals the FAULT\_MAX\_CNT[3:0] value, the state machine initiates a power down sequence.

The default value of the FAULT\_MAX\_CNT[3:0] is loaded from the OTP\_FAULT\_MAX\_CNT[3:0] bits during the power up sequence.

When the FAULT\_MAX\_CNT[3:0] is set to 0x00, the system disables the turn-off events due to a fault counter maxing out.

When a regulator experiences a fault event, a fault timer is started. While this timer is in progress, the expectation is that the processor takes actions to clear the fault. For example, it could reduce its load in the event of a current limit fault, or turn off the regulator in the event of an overvoltage fault.

If the fault clears before the timer expires, the state machine resumes the normal operation, and the fault timer gets reset. If the fault does not clear before the timer expires, a power down sequence is initiated to turn off the voltage regulators.

The default value of the fault timer is set by the OTP\_TIMER\_FAULT[3:0], however the duration of the fault timer can be changed during the system On state by modifying the TIMER\_FAULT[3:0] bits in the I<sup>2</sup>C registers.

**Table 24. Fault timer register configuration**

OTP bits OTP_TIMER_FAULT [3:0]	Functional bits TIMER_FAULT [3:0]	Timer value (ms)
0000	0000	1
0001	0001	2
0010	0010	4
0011	0011	8
0100	0100	16
0101	0101	32
0110	0110	64
0111	0111	128
1000	1000	256
1001	1001	512
1010	1010	1024
1011	1011	2056
1100	1100	Reserved
1101	1101	Reserved
1110	1110	Reserved
1111	1111	Disabled

Each voltage regulator has a dedicated I<sup>2</sup>C bit that is used to bypass the fault detection mechanism for each specific fault.

**SWx\_ILIM\_BYPASS / LDOx\_ILIM\_BYPASS**

- 0 = ILIM protection enabled
- 1 = ILIM fault bypassed

**SWx\_OV\_BYPASS / LDOx\_OV\_BYPASS**

- 0 = OV protection enabled
- 1 = OV fault bypassed

**SWx\_UV\_BYPASS / LDOx\_UV\_BYPASS**

- 0 = UV protection enabled
- 1 = UV fault bypassed

**Table 25. Fault bypass bits**

Regulator	Bit to bypass a current limit	Bit to bypass an undervoltage	Bit to bypass an overvoltage
SW1	SW1_ILIM_BYPASS	SW1_UV_BYPASS	SW1_OV_BYPASS
SW2	SW2_ILIM_BYPASS	SW2_UV_BYPASS	SW2_OV_BYPASS
SWND1	SWND1_ILIM_BYPASS	SWND1_UV_BYPASS	SWND1_OV_BYPASS



Table 25. Fault bypass bits...continued

Regulator	Bit to bypass a current limit	Bit to bypass an undervoltage	Bit to bypass an overvoltage
LDO1	LDO1_ILIM_BYPASS	LDO1_UV_BYPASS	LDO1_OV_BYPASS

The default value of the OV\_BYPASS, UV\_BYPASS and ILIM\_BYPASS bits upon power up can be configured by their corresponding OTP bits.

Bypassing the fault detection prevents the specific fault from starting any of the protective mechanism:

- Increment the counter
- Start the fault timer
- Disable the regulator if the corresponding \_STATE bit is 0
- OV/UV condition asserting the PGOOD and PGOODx pins low

When a fault is bypassed, the corresponding interrupt bit is still set and the INTB pin is asserted, provided the interrupt has not been masked.

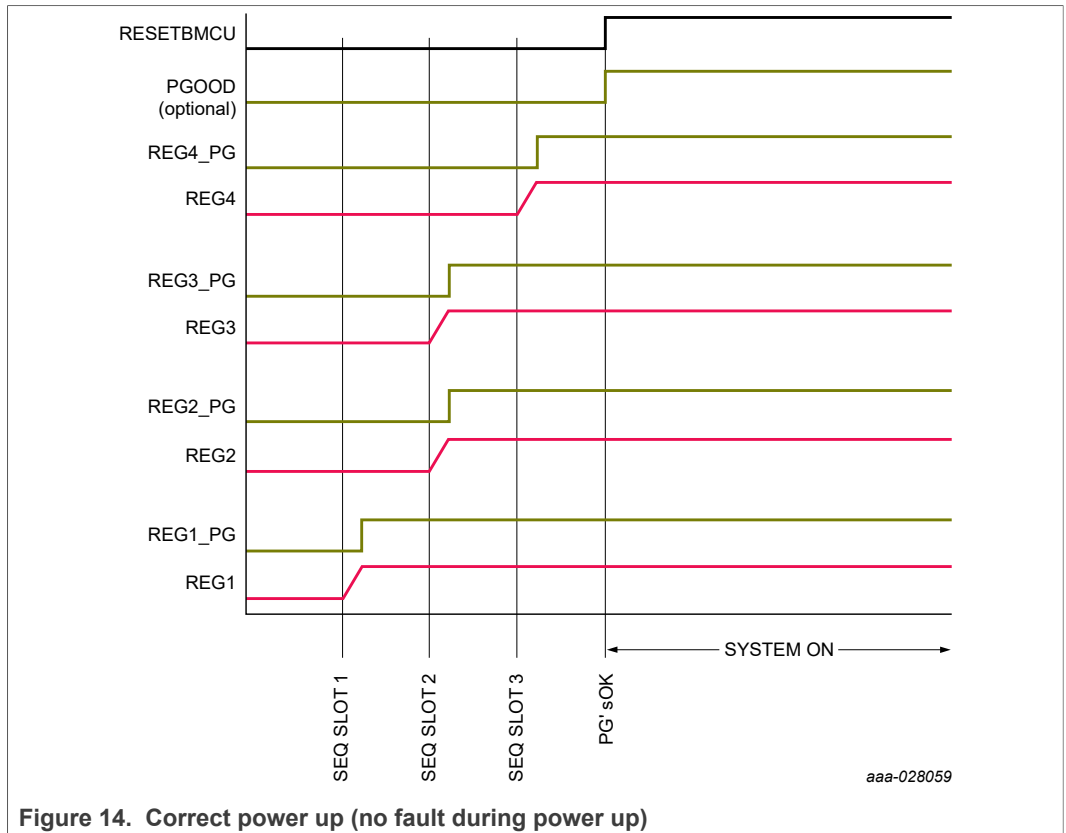
### 14.7.1 Fault monitoring during power up state

An OTP bit is provided to select whether the output of the switching regulators is verified during the power up sequence and used as a gating condition to release the RESETBMCU or not.

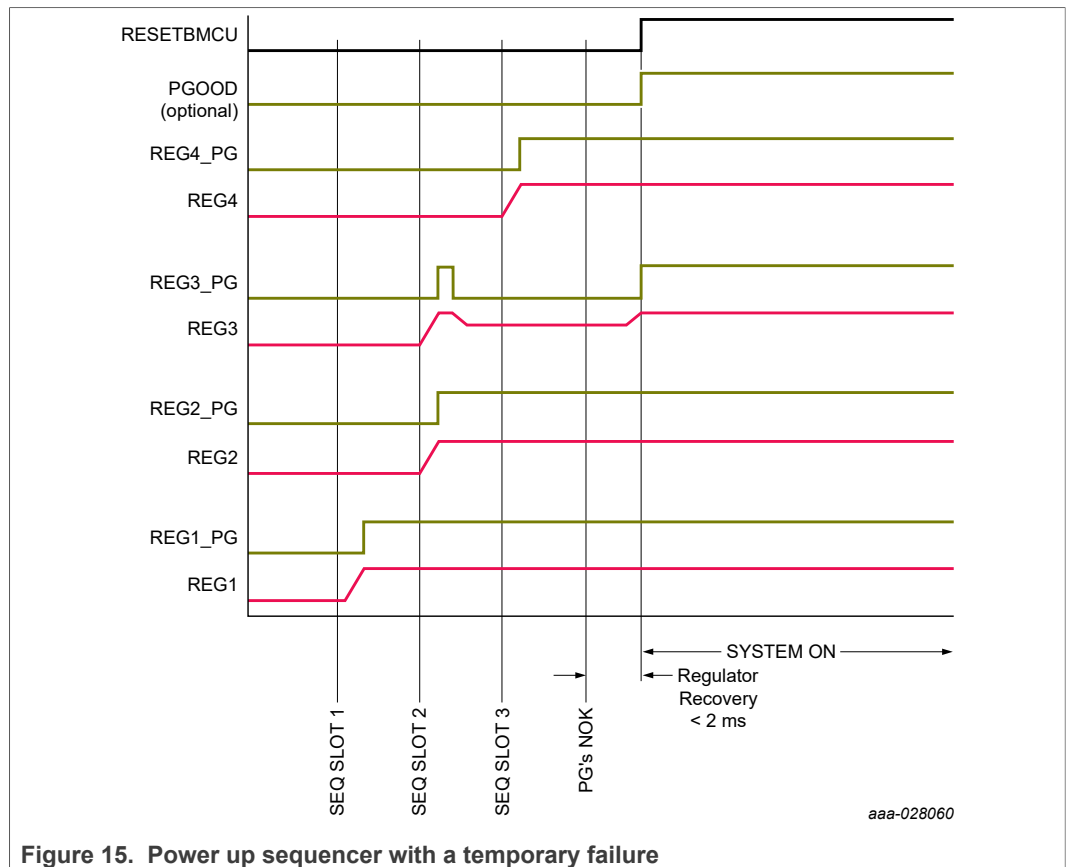
- When OTP\_PG\_CHECK = 0, the output voltage of the regulators is not checked during the power up sequence and power good indication is not required to de-assert the RESETBMCU. In this scenario, the OV/UV monitors are masked until RESETBMCU is released; after this event, all regulators may start checking for faults after their corresponding blanking period.
- When OTP\_PG\_CHECK = 1, the output voltage of the regulators is verified during the power up sequence and a power good condition is required to release the RESETBMCU.

When OTP\_PG\_CHECK = 1, OV and UV faults during the power up sequence are reported based on the internal PG (Power Good) signals of the corresponding external regulator. The PGOOD pin can be used as an external indicator of an OV/UV failure when the RESETBMCU is ready to be de-asserted and it has been configured in the PGOOD mode. See [Section 14.9.6 "PGOOD"](#) for details on PGOOD pin operation and configuration.

Regardless of the PGOOD pin configured as a power good indicator or not, the PF5020 masks the detection of an OV/UV failure until RESETBMCU is ready to be released, at this point the device checks for any OV/UV condition for the regulators turned on so far. If all regulators powered up before or in the same sequence slot than RESETBMCU are in regulation, RESETBMCU is de-asserted and the power up sequence can continue as shown in [Figure 14](#).



If any of the regulators are powered up before RESETBMCU is out of regulator, RESETBMCU is not de-asserted and the power up sequence is stopped for up to 2.0 ms. If the fault is cleared and all internal PG signals are asserted within the 2.0 ms timer, RESETBMCU is de-asserted and the power up sequence continues where it stopped as shown in [Figure 15](#).



If the faulty condition is not cleared within the 2.0 ms timer, the power up sequence is aborted and the PF5020 turns off all voltage regulators enabled so far as shown in [Figure 16](#).

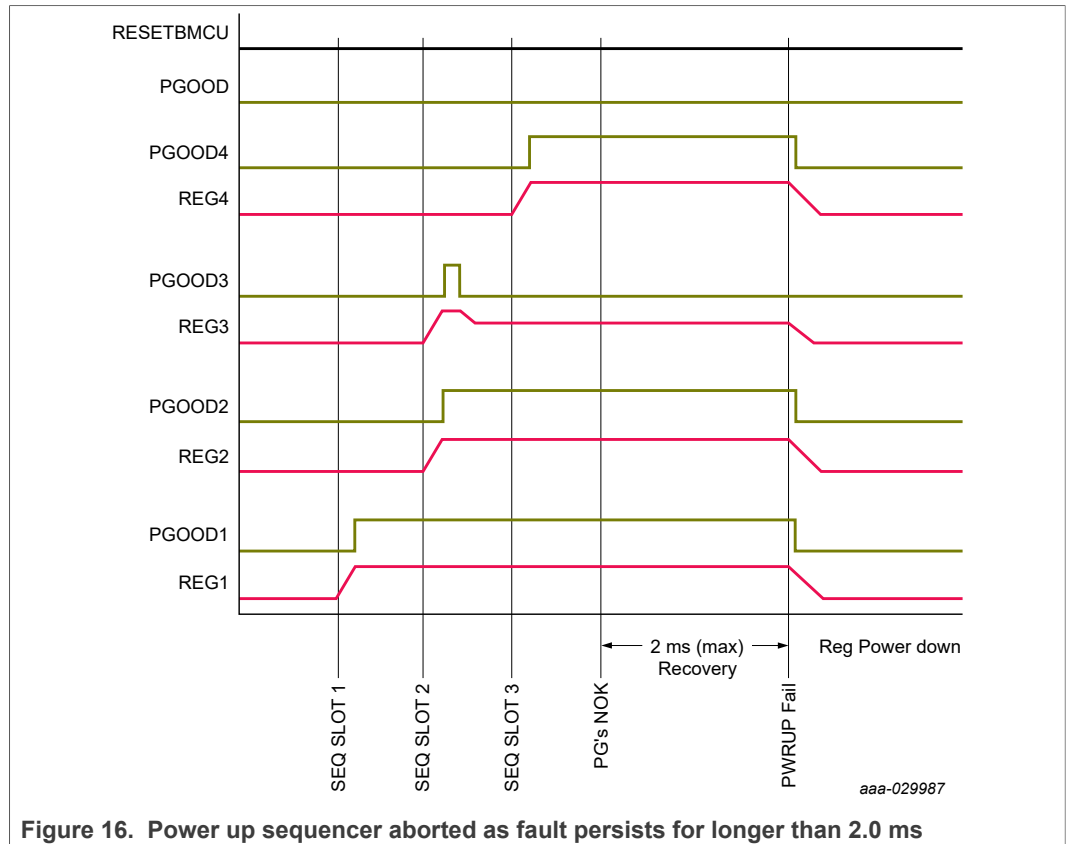


Figure 16. Power up sequencer aborted as fault persists for longer than 2.0 ms

Supplies enabled after RESETBMCU are checked for OV, UV and ILIM faults after each of them are enabled. If an OV, UV or ILIM condition is present, the PF5020 starts a fault detection and protection mechanism as described in [Section 14.7 "Fault detection"](#). At this point, the MCU should be able to read the interrupt and react upon a fault event as defined by the system.

When OTP\_PG\_CHECK=1, If PGOOD is used as a GPIO, it may be released at any time in the power up sequence as long as the RESETBMCU is released after one or more of the SW regulators or LDO regulator.

If a regulator fault occurs after RESETBMCU is de-asserted but before the power up sequence is finalized, the power up sequences continue to turn on the remaining regulators as configured, even if a fault detection mechanism is active on an earlier regulator.

### 14.8 Interrupt management

The MCU is notified of any interrupt through the INTB pin and various interrupt registers.

The interrupt registers are composed by three types of bits to help manage all the interrupt requests in the PF5020:

- The interrupt latch XXXX\_I: this bit is set when the corresponding interrupt event occurs. It can be read at any time, and is cleared by writing a 1 to the bit.
- The mask bit XXXX\_M: this bit controls whether a given interrupt latch pulls the INTB pin low or not.
- When the mask bit is 1, the interrupt latch does not control the INTB pin.

- When the mask bit is 0, the INTB pin is pulled low as long as the corresponding latch bit is set.
- The sense bit XXXX\_S: if available, the sense bit provides the actual status of the signal triggering the interrupt.

The INTB pin is a reflection of an “OR” logic of all the interrupt status bits which control the pin.

Interrupts are stored in two levels on the interrupts registers. At first level, the SYS\_INT register provides information about the Interrupt register that originated the interrupt event.

The corresponding SYS\_INT bits is set as long as the INTB pin is programmed to assert with any of the interrupt bits of the respective interrupt registers.

- STATUS1\_I: this bit is set when the interrupt is generated within the INT STATUS1 register
- STATUS2\_I: this bit is set when the interrupt is generated within the INT STATUS2 register
- MODE\_I: this bit is set when the interrupt is generated within the SW MODE INT register
- ILIM\_I: this bit is set when the interrupt is generated within any of the SW ILIM INT or LDO ILIM INT registers
- UV\_I: this bit is set when the interrupt is generated within any of the SW UV INT or LDO UV INT registers
- OV\_I: this bit is set when the interrupt is generated within any of the SW OV INT or LDO OV INT registers
- PWRON\_I: this bit is set when the interrupt is generated within the PWRON INT register
- EWARN\_I (EWARN time set by OTP\_EWARN\_TIME[1:0]): is set when an early warning event occurs to indicate an imminent shutdown

Table 26. EWARN configuration

OTP_EWARN_TIME[1:0]	EWARN delay time
00	100 μs
01	5.0 ms
10	20 ms
11	50 ms

The SYS\_INT bits are set when the INTB pin is asserted by any of the second level interrupt bits that have not been masked in their corresponding mask registers. When the second level interrupt bit is cleared, the corresponding first level interrupt bit on the SYS\_INT register will be cleared automatically.

The INTB pin will remain asserted if any of the first level interrupts bit is set, and it will be de-asserted only when all the unmasked second level interrupts are cleared and thus all the first level interrupts are cleared as well.

At second level the remaining registers provide the exact source for the interrupt event.

[Table 27](#) shows a summary of the interrupt latch, mask and sense pins available on the PF5020.

Table 27. Interrupt registers

Register name	BIT7	BIT6	BIT5	BIT4	BIT3	BIT2	BIT1	BIT0
INT STATUS1	SDWN_I	FREQ_RDY_I	CRC_I	PWRUP_I	PWRDN_I	—	PGOOD_I	VIN_OVLO_I
INT MASK1	SDWN_M	FREQ_RDY_M	CRC_M	PWRUP_M	PWRDN_M	—	PGOOD_M	VIN_OVLO_M
INT SENSE1	—	—	—	—	—	—	PGOOD_S	VIN_OVLO_S
THERM INT	WDI_I	FSYNC_FLT_I	THERM_155_I	THERM_140_I	THERM_125_I	THERM_110_I	THERM_95_I	THERM_80_I
THERM MASK	WDI_M	FSYNC_FLT_M	THERM_155_M	THERM_140_M	THERM_125_M	THERM_110_M	THERM_95_M	THERM_80_M
THERM SENSE	WDI_S	FSYNC_FLT_S	THERM_155_S	THERM_140_S	THERM_125_S	THERM_110_S	THERM_95_S	THERM_80_S
SW MODE INT	—	SWND1_MODE_I	—	—	—	—	SW2_MODE_I	SW1_MODE_I
SW MODE MASK	—	SWND1_MODE_M	—	—	—	—	SW2_MODE_M	SW1_MODE_M
SW ILIM INT	—	SWND1_ILIM_I	—	—	—	—	SW2_ILIM_I	SW1_ILIM_I
SW ILIM MASK	—	SWND1_ILIM_M	—	—	—	—	SW2_ILIM_M	SW1_ILIM_M
SW ILIM SENSE	—	SWND1_ILIM_S	—	—	—	—	SW2_ILIM_S	SW1_ILIM_S
LDO ILIM INT	—	—	—	—	—	—	—	LDO1_ILIM_I
LDO ILIM MASK	—	—	—	—	—	—	—	LDO1_ILIM_M
LDO ILIM SENSE	—	—	—	—	—	—	—	LDO1_ILIM_S
SW UV INT	—	SWND1_UV_I	—	—	—	—	SW2_UV_I	SW1_UV_I
SW UV MASK	—	SWND1_UV_M	—	—	—	—	SW2_UV_M	SW1_UV_M
SW UV SENSE	—	SWND1_UV_S	—	—	—	—	SW2_UV_S	SW1_UV_S
SW OV INT	—	SWND1_OV_I	—	—	—	—	SW2_OV_I	SW1_OV_I
SW OV MASK	—	SWND1_OV_M	—	—	—	—	SW2_OV_M	SW1_OV_M
SW OV SENSE	—	SWND1_OV_S	—	—	—	—	SW2_OV_S	SW1_OV_S
LDO UV INT	—	—	—	—	—	—	—	LDO1_UV_I
LDO UV MASK	—	—	—	—	—	—	—	LDO1_UV_M
LDO UV SENSE	—	—	—	—	—	—	—	LDO1_UV_S
LDO OV INT	—	—	—	—	—	—	—	LDO1_OV_I
LDO OV MASK	—	—	—	—	—	—	—	LDO1_OV_M
LDO OV SENSE	—	—	—	—	—	—	—	LDO1_OV_S
PWRON INT	BGMON_I	PWRON_8S_I	PWRON_4S_I	PRON_3S_I	PWRON_2S_I	PWRON_1S_I	PWRON_REL_I	PWRON_PUSH_I
PWRON MASK	BGMON_M	PWRON_8S_M	PWRON_4S_M	PRON_3S_M	PWRON_2S_M	PWRON_1S_M	PWRON_REL_M	PWRON_PUSH_M
PWRON SENSE	BGMON_S	—	—	—	—	—	—	PWRON_S
EN_SENSE	—	—	—	—	EN4_S	EN3_S	EN2_S	EN1_S
SYS INT	EWARN_I	PWRON_I	OV_I	UV_I	ILIM_I	MODE_I	STATUS2_I	STATUS1_I

### 14.9 I/O interface pins

The PF5020 PMIC is fully programmable via the I<sup>2</sup>C interface. Additional communication between MCU, PF5020 and other companion PMIC is provided by direct logic interfacing including INTB, RESETBMCU, PGOOD, among other pins.

Power management integrated circuit (PMIC) for high performance applications

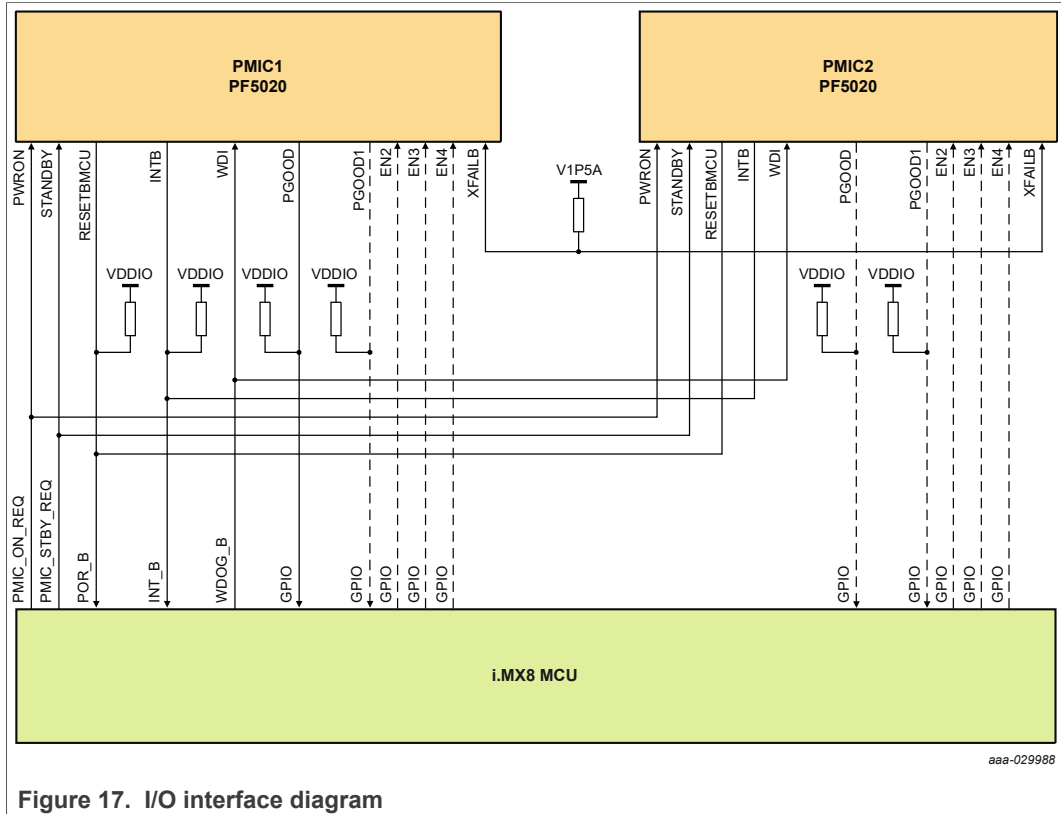


Figure 17. I/O interface diagram

Table 28. I/O electrical specifications

Symbol	Parameter	Min	Typ	Max	Unit
PWRON_V <sub>IL</sub>	PWRON low input voltage	—	—	0.4	V
PWRON_V <sub>IH</sub>	PWRON high input voltage	1.4	—	5.5	V
STANDBY_V <sub>IL</sub>	STANDBY low input voltage	—	—	0.4	V
STANDBY_V <sub>IH</sub>	STANDBY high input voltage	1.4	—	5.5	V
RESETBCMU_V <sub>OL</sub>	RESETBCMU low output voltage -2.0 mA load current	0	—	0.4	V
INTB_V <sub>OL</sub>	INTB low output voltage -2.0 mA load current	0	—	0.4	V
ENx_V <sub>IL</sub>	ENx low input voltage	—	—	0.4	V
ENx_V <sub>IH</sub>	ENx high input voltage	1.4	—	5.5	V
WDI_V <sub>IL</sub>	WDI low input voltage	—	—	0.3*VDDIO	V
WDI_V <sub>IH</sub>	WDI high input voltage	0.7*VDDIO	—	5.5	V
R <sub>WDI_PD</sub>	WDI internal pull-down resistance	0.475	1.0	—	MΩ
PGOOD_V <sub>OL</sub>	PGOOD low output voltage -2.0 mA load current	0	—	0.4	V
PGOODx_V <sub>OL</sub>	PGOODx low output voltage -2.0 mA load current	0	—	0.4	V
TBBEN_V <sub>IL</sub>	TBBEN low input voltage	—	—	0.4	V
TBBEN_V <sub>IH</sub>	TBBEN high input voltage	1.4	—	5.5	V
R <sub>TBBEN_PD</sub>	TBBEN internal pull-down resistance	0.475	1.0	—	MΩ
XFAILB_V <sub>IL</sub>	XFAILB low input voltage	—	—	0.4	V
XFAILB_V <sub>IH</sub>	XFAILB high input voltage	1.4	—	5.5	V

Table 28. I/O electrical specifications...continued

Symbol	Parameter	Min	Typ	Max	Unit
XFAILB_VOH	XFAILB high output voltage Pulled-up to V1P5A	V1P5A - 0.5	—	—	V
XFAILB_VOL	XFAILB low output voltage -2.0 mA load current	0	—	0.4	V
SCL_VIL	SCL low input voltage	—	—	0.3*VDDIO	V
SCL_VIH	SCL high input voltage	0.7*VDDIO	—	VDDIO	V
SDA_VIL	SDA low input voltage	—	—	0.3*VDDIO	V
SDA_VIH	SDA high input voltage	0.7*VDDIO	—	VDDIO	V
SDA_VOL	SDA low output voltage -20 mA load current	0	—	0.4	V

### 14.9.1 PWRON

PWRON is an input signal to the IC that acts as a power up event signal in the PF5020.

The PWRON pin has two modes of operation as programmed by the OTP\_PWRON\_MODE bit.

When OTP\_PWRON\_MODE = 0, the PWRON pin operates in level sensitive mode. In this mode, the device is in the corresponding off mode when the PWRON pin is pulled low. Pulling the PWRON pin high is a necessary condition to generate a power on event.

PWRON may be pulled up to VSNVS or VIN with an external 100 kΩ resistor if device is intended to come up automatically with VIN application. See [Section 14.5 "Power up"](#) for details on power up requirements.

When OTP\_PWRON\_MODE = 1, the PWRON pin operates in edge sensitive mode. In this mode, PWRON is used as an input from a push button connected to the PMIC.

When the switch is not pressed, the PWRON pin is pulled up to VIN externally through a 100 kΩ resistor. When the switch is pressed, the PWRON pin should be shorted to ground. The PWRON\_S bit is low whenever the PWRON pin is at logic 0 and is high whenever the PWRON pin is at logic 1.

The PWRON pin has a programmable debounce on the rising and falling edges as shown in [Table 29](#).

Table 29. PWRON debounce configuration in edge detection mode

Bits	Value	Falling edge debounce (ms)	Rising edge debounce (ms)
PWRON_DBNC[1:0]	00	32	32
PWRON_DBNC[1:0]	01	32	32
PWRON_DBNC[1:0]	10	125	32
PWRON_DBNC[1:0]	11	750	32

The default value for the power on debounce is set by the OTP\_PWRON\_DBNC[1:0] bits.

Pressing the PWRON switch for longer than the debounce time starts a power on event as well as generate interrupts which the processor may use to initiate PMIC state transitions.

During the system On state, when the PWRON button is pushed (logic 0) for longer than the debounce setting, the PWRON\_PUSH\_I interrupt is generated. When the PWRON



button is released (logic 1) for longer than the debounce setting, the PWRON\_REL\_I interrupt is generated.

The PWRON\_1S\_I, PWRON\_2S\_I, PWRON\_3S\_I, PWRON\_4S\_I and PWRON\_8S\_I interrupts are generated when the PWRON pin is held low for longer than 1, 2, 3, 4 and 8 seconds respectively.

If PWRON\_RST\_EN = 1, pressing the PWRON for longer than the delay programmed by TRESET[1:0] forces a PMIC reset. A PMIC reset initiates a power down sequence, wait for 30 μs to allow all supplies to discharge and then it powers back up with the default OTP configuration.

If PWRON\_RST\_EN = 0, the device starts a turn off event after push button is pressed for longer than TRESET[1:0].

**Table 30. TRESET configuration**

TRESET[1:0]	Time to reset
00	2 s
01	4 s
10	8 s
11	16 s

The default value of the TRESET delay is programmable through the OTP\_TRESET[1:0] bits.

### 14.9.2 STANDBY

STANDBY is an input signal to the IC, when this pin is asserted, the device enters the standby mode and when de-asserted, the part exits Standby mode.

STANDBY can be configured as active high or active low using the STANDBYINV bit.

**Table 31. Standby pin polarity control**

STANDBY (pin)	STANDBYINV (I <sup>2</sup> C bit)	STANDBY control
0	0	Not in Standby mode
0	1	In Standby mode
1	0	In Standby mode
1	1	Not in Standby mode

### 14.9.3 RESETBMCU

RESETBMCU is an open-drain, active low output used to bring the processor (and peripherals) in and out of reset.

The time slot RESETBMCU is de-asserted during the power up sequence is programmed by the OTP\_RESETBMCU\_SEQ[7:0] bits, and it is a condition to enter the system On state.

During the system On state, the RESETBMCU is de-asserted (pulled high), and it is asserted (pulled low) as indicated in the power down sequence, when a system power down or reset is initiated.

In the application, RESETBMCU can be pulled up to VDDIO or VSNVS by a 10 kΩ external resistor. It is also recommended to add a 10 nF bypass capacitor close to the pin to improve the EM immunity performance.

#### 14.9.4 INTB

INTB is an open-drain, active low output. This pin is asserted (pulled low) when any interrupt occurs, provided that the interrupt is not masked.

INTB is de-asserted after the corresponding interrupt latch is cleared by software, which requires writing a "1" to the interrupt bit.

An INTB\_TEST bit is provided to allow a manual test of the INTB pin. When INTB\_TEST is set to 1, the interrupt pin asserts for 100  $\mu$ s and then de-asserts to its normal state. The INTB\_TEST bit self-clears to 0 automatically after the test pulse is generated.

In the application, INTB can be pulled up to VDDIO with an external 100 k $\Omega$  resistor.

#### 14.9.5 WDI

WDI is an input pin to the PF5020 and is intended to operate as an external watchdog monitor.

When the WDI pin is connected to the watchdog output of the processor, this pin is used to detect a pulse to indicate a watchdog event is requested by the processor. When the WDI pin is asserted, the device starts a watchdog event to place the PMIC outputs in a default known state.

The WDI pin is monitored during the system On state. In the Off modes and during the power up sequence, the WDI pin is masked until RESETBMCU is de-asserted.

The WDI can be configured to assert on the rising or the falling edge using the OTP\_WDI\_INV bit.

- When OTP\_WDI\_INV = 0, the device starts a WD event on the falling edge of the WDI.
- When OTP\_WDI\_INV = 1, the device starts a WD event on the rising edge of the WDI.

A 10  $\mu$ s debounce filter is implemented on either rising or falling edge detection to prevent false WDI signals to start a watchdog event.

The WDI\_MODE bit allows the WDI pin to react in two different ways:

- When WDI\_MODE = 1, a WDI asserted performs a hard WD reset.
- When WDI\_MODE = 0, a WDI asserted performs a soft WD reset.

The default value of the WDI\_MODE bit is set by the OTP\_WDI\_MODE bit in the OTP register space.

The WDI\_STBY\_ACTIVE bit allows the WDI pin to generate a watchdog event during the standby state.

- When WDI\_STBY\_ACTIVE = 0, asserting the WDI will not generate a watchdog event during the standby state.
- When WDI\_STBY\_ACTIVE = 1, asserting the WDI will start a watchdog event during the standby state.

The OTP\_WDI\_STBY\_ACTIVE is used to configure whether the WDI is active in the standby state or not by default upon power up.

See [Section 15.10 "Watchdog event management"](#) for details on watchdog event.

### 14.9.6 PGOOD

PGOOD is an open drain output programmable as a power good indicator pin or GPO. In the application, PGOOD can be pulled up to VDDIO with a 100 k $\Omega$  resistor.

When OTP\_PG\_ACTIVE = 0, the PGOOD pin is used as a general purpose output.

As a GPO, during the run state, the state of the pin is controlled by the RUN\_PG\_GPO bit in the functional I<sup>2</sup>C registers:

- When RUN\_PG\_GPO = 1, the PGOOD pin is high
- When RUN\_PG\_GPO = 0, the PGOOD pin is low

During the standby state, the state of the pin is controlled by the STBY\_PG\_GPO bit in the functional I<sup>2</sup>C registers:

- When STBY\_PG\_GPO = 1, the PGOOD pin is high
- When STBY\_PG\_GPO = 0, the PGOOD pin is low

When used as a GPO, the PGOOD pin can be enabled high as part of the power up sequence as programmed by the OTP\_SEQ\_TBASE[1:0] and the OTP\_PGOOD\_SEQ[7:0] bits. If enabled as part of the power up sequence, both the RUN\_PG\_GPO and STBY\_PG\_GPO bits are loaded with 1, otherwise they are loaded with 0 upon power up.

When OTP\_PG\_ACTIVE = 1, the PGOOD pin is in Power good (PG) mode and it acts as a PGOOD indicator for the selected output voltages in the PF5020.

There is an individual PG monitor for every regulator. Each monitor provides an internal PG signal that can be selected to control the status of the PGOOD pin upon an OV or UV condition when the corresponding SWxPG\_EN / LDO1PG\_EN bits are set. The status of the PGOOD pin is a logic AND function of the internal PG signals of the selected monitors.

- When the PG\_EN = 1, the corresponding regulator becomes part of the AND function that controls the PGOOD pin.
- When the PG\_EN = 0, the corresponding regulator does not control the status of the PGOOD pin.

The PGOOD pin is pulled low when any of the selected regulator outputs falls above or below the programmed OV/UV thresholds and the corresponding OV/UV interrupt is generated. If the faulty condition is removed, the corresponding OV\_S/UV\_S bit goes low to indicate the output is back in regulation, however, the interrupt remains latched until it is cleared.

The actual condition causing the interrupt (OV, UV) can be read in the fault interrupt registers. For more details on handling interrupts, see [Section 14.8 "Interrupt management"](#).

When a particular regulator is disabled (via OTP, or I<sup>2</sup>C, or by change in state of PMIC such as going to standby mode), it no longer controls the PGOOD pin.

In the Off mode and during the power up sequence, the PGOOD pin is held low until RESETBMCU is ready to be released, at this point, the PG monitors are unmasked and the PGOOD pin is released high if all the internal PG monitors are in regulation. In the event that one or more outputs are not in regulation by the time RESETBMCU is ready to de-assert, the PGOOD pin is held low and the PF5020 performs the corresponding fault protection mechanism as described in [Section 14.7.1 "Fault monitoring during power up state"](#).

### 14.9.7 PGOODx

The PGOODx pins are open drain outputs to provide the power good status of each regulator. In the application, PGOODx can be pulled up to VDDIO with a 100 kΩ resistor.

The PGOODx pin is pulled low when the corresponding regulator output falls above or below the programmed OV/UV thresholds.

The actual condition causing the interrupt (OV, UV) can be read in the fault interrupt registers. For more details on handling interrupts, see [Section 14.8 "Interrupt management"](#).

**Table 32. PGOODx assignment**

Pin	PF5020 regulator
PGOOD1	SW1
PGOOD2	SW2
PGOOD3	SWND1
PGOOD4	LDO1

### 14.9.8 ENx

The ENx input pin is used to enable or disable the dedicated regulator via hardware.

When the ENx pin is asserted high, the corresponding regulator is controlled by SWx\_RUN\_MODE, SWND1\_RUN\_MODE and LDO1\_RUN\_EN during the run state, and SWx\_STBY\_MODE, SWND1\_STBY\_MODE and LDO1\_STBY\_EN in standby state.

When the ENx pin is asserted low, the corresponding regulator is turned off.

During power up and power down sequence, after the sequencing starts, the ENx pins are masked. Any change in the ENx pin will not reflect on the status of the particular regulator.

**Table 33. ENx assignment**

Pin	PF5020 regulator
EN1	SW1
EN2	SW2
EN3	SWND1
EN4	LDO1

The status of the ENx pin can be monitored via the corresponding ENx\_S flag bit in the EN SENSE register.

- When ENx is in low state, ENx\_S flag is set to 0.
- When ENx is in high state, ENx\_S flag is set to 1.

### 14.9.9 TBBEN

The TBBEN is an input pin provided to allow the user to program the mirror registers in order to operate the device with a custom configuration as well as programming the default values on the OTP fuses.

- When TBBEN pin is pulled low to ground, the device is operating in normal mode.
- When TBBEN pin is pulled high to V1P5D, the device enables the TBB configuration mode.

See [Section 17 "OTP/TBB and hardwire default configurations"](#) for details on TBB and OTP operation.

When TBBEN pin is pulled high to V1P5D the following conditions apply:

- The device uses a fixed I<sup>2</sup>C device address (0x08)
- Disable the watchdog operation, including WDI monitoring and internal watchdog timer
- Disable the CRC and I<sup>2</sup>C secure write mechanism while no power up event is present (TBB/OTP programming mode).

Disabling the watchdog operation may be required for in-line MCU programming where output voltages are required but watchdog operation should be completely disabled.

#### 14.9.10 XFAILB

XFAILB is a bidirectional pin with an open drain output used to synchronize the power up and power down sequences of two or more PMICs. It should normally be pulled up externally to V1P5A supply.

The OTP\_XFAILB\_EN bit is used to enable or disable the XFAILB mode of operation.

- When OTP\_XFAILB\_EN = 0, the XFAILB mode is disabled and any events on this pin are ignored.
- When OTP\_XFAILB\_EN = 1, the XFAILB mode is enabled

When the XFAILB mode is enabled, and the PF5020 has a turn off event generated by an internal fault, the XFAILB pin is asserted low 20  $\mu$ s before starting the power down sequence.

A power down event caused by the following conditions will assert the XFAILB pin:

- Fault timer expired
- FAULT\_CNT = FAULT\_MAX\_CNT (Regulator fault counter max out)
- WD\_EVENT\_CNT = WD\_MAX\_CNT (Watchdog event counter max out)
- Power up failure
- Thermal shutdown
- Hard WD event

The XFAILB pin is forced low during the Off mode.

During the system On state, if the XFAILB pin is externally pulled low, it will detect an XFAIL event after a 20  $\mu$ s debounce. When an XFAIL event is detected, the XFAILB pin is asserted low internally and the device starts a power down sequence.

If a PWRON event is present, the device will start a turn on event and proceed to release the XFAILB pin when its ready to start the power up sequence state. If the XFAILB pin is pulled down externally during the power up event, the PF5020 will stop the power up sequence until the pin is no longer pulled down externally. This will help both PMICs to synchronize the power up sequence allowing it to continue only when both PMICs are ready to initiate the power up sequence.

A hard WD event will set the XFAILB pin 20  $\mu$ s before it starts its power down sequence. After all regulator outputs have been turned off, the device will release the XFAILB pin internally after a 30  $\mu$ s delay, proceed to load the default OTP configuration and wait for the XFAILB pin to be released externally before it can restart the power up sequence.

Power management integrated circuit (PMIC) for high performance applications

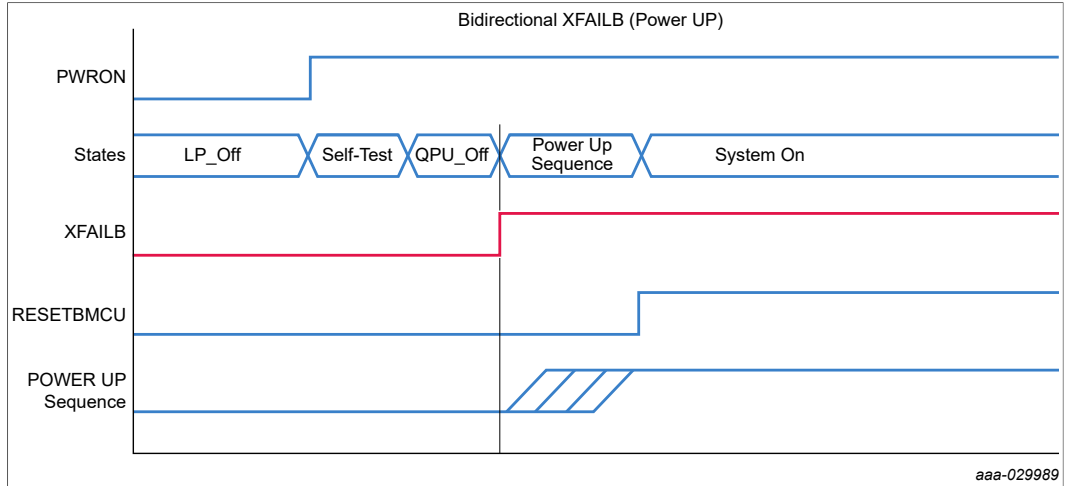


Figure 18. XFAILB behavior during a power up sequence

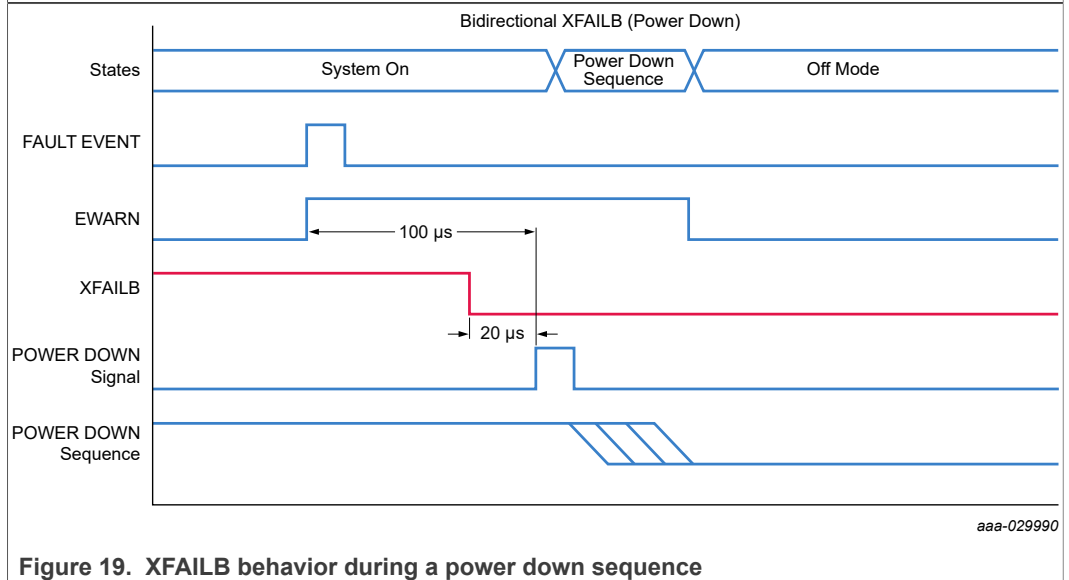


Figure 19. XFAILB behavior during a power down sequence

Power management integrated circuit (PMIC) for high performance applications

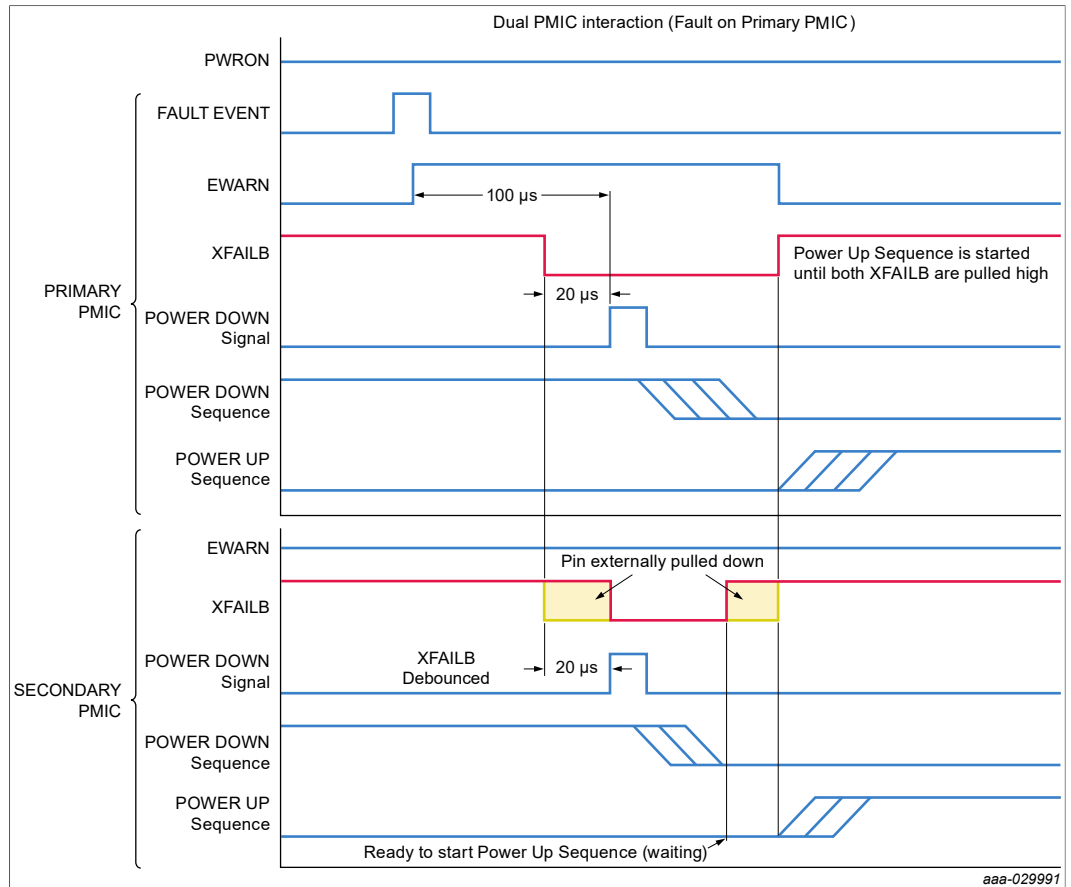


Figure 20. Behavior during an external XFAILB event

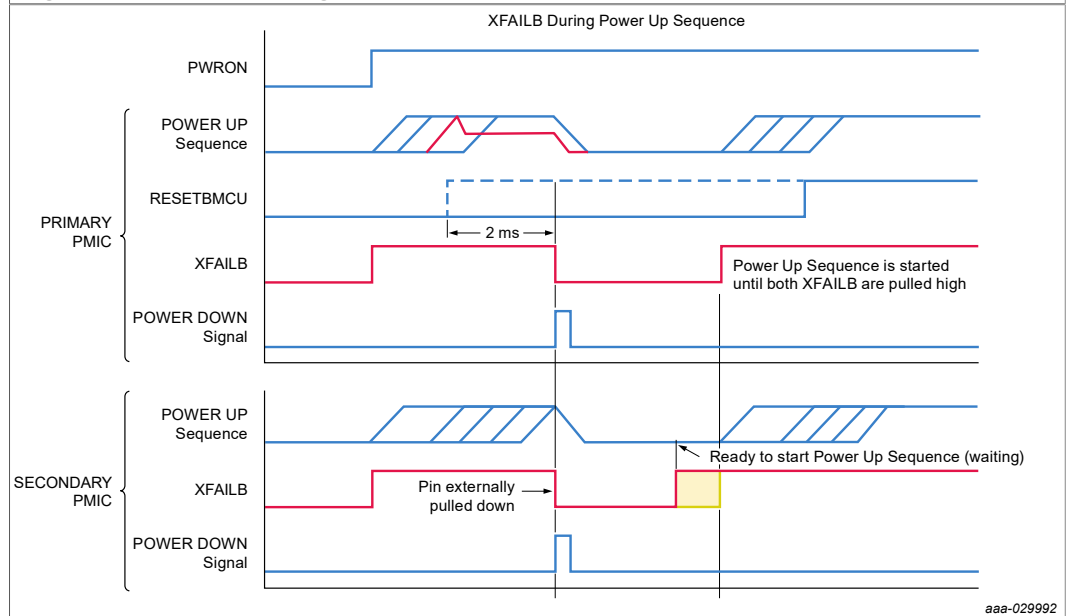


Figure 21. External XFAILB event during a power up sequence

### 14.9.11 SDA and SCL (I<sup>2</sup>C bus)

Communication with the PF5020 is done through I<sup>2</sup>C and it supports high-speed operation mode with up to 3.4 MHz operation. SDA and SCL are pulled up to VDDIO with 1.5 kΩ resistors.

The PF5020 is designed to operate as a secondary device during I<sup>2</sup>C communication. The default I<sup>2</sup>C device address is set by the OTP\_I2C\_ADD[2:0].

Table 34. I<sup>2</sup>C address configuration

OTP_I2C_ADD[2:0]	Device address
000	0x08
001	0x09
010	0x0A
011	0x0B
100	0x0C
101	0x0D
110	0x0E
111	0x0F

See [http://www.nxp.com/documents/user\\_manual/UM10204.pdf](http://www.nxp.com/documents/user_manual/UM10204.pdf) for detailed information on the digital I<sup>2</sup>C communication protocol implementation.

During an I<sup>2</sup>C transaction, the communication will latch after the 8th bit sent. If the data sent is not a multiple of 8 bit, any word with less than 8 bits will be ignored. If only 7 bits are sent, no data is written and the logic will not provide an ACK bit to the MCU.

From an IC level, a wrong I<sup>2</sup>C command can create a system level safety issue. For example, though the MCU may have intended to set a given regulator's output to 1.0 V, it may be erroneously registered as 1.1 V due to noise in the bus.

To prevent a wrong I<sup>2</sup>C configuration, various protective mechanisms are implemented.

#### 14.9.11.1 I<sup>2</sup>C CRC verification

When this feature is enabled, a selectable CRC verification is performed on each I<sup>2</sup>C transaction.

- When OTP\_I2C\_CRC\_EN = 0, the CRC verification mechanism is disabled.
- When OTP\_I2C\_CRC\_EN = 1, the CRC verification mechanism is enabled.

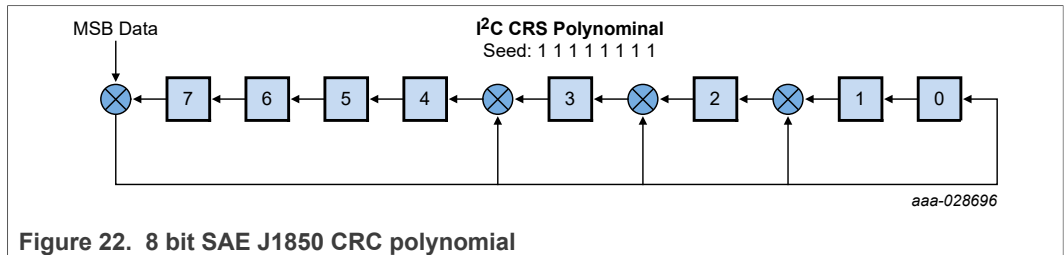
After each I<sup>2</sup>C transaction, the device calculates the corresponding CRC byte to ensure the configuration command has not been corrupted.

When a CRC fault is detected, the PF5020 ignores the erroneous configuration command and triggers a CRC\_I interrupt asserting the INTB pin, provided the interrupt is not masked.

The PF5020 implements a CRC-8-SAE, per the SAE J1850 specification.

- Polynomial = 0x11D
- Initial value = 0xFF





14.9.11.2 I<sup>2</sup>C secure write

A secure write mechanism is implemented for specific registers critical to the functional safety of the device.

- When OTP\_I2C\_SECURE\_EN = 0, the secure write is disabled.
- When OTP\_I2C\_SECURE\_EN = 1, the secure write is enabled.

When the secure write is enabled, a specific sequence must be followed in order to grant writing access on the corresponding secure register.

Secure write sequence is as follows:

- MCU sends command to modify the secure registers
- PMIC generates a random code in the RANDOM\_GEN register
- MCU reads the random code from the RANDOM\_GEN register and writes it back on the RANDOM\_CHK register

The PMIC compares the RANDOM\_CHK against the RANDOM\_GEN register:

- If RANDOM\_CHK [7:0] = RANDOM\_GEN[7:0], the device applies the configuration on the corresponding secure register, and self-clears both the RANDOM\_GEN and RANDOM\_CHK registers.
- If RANDOM\_CHK[7:0] different from RANDOM\_GEN[7:0], the device ignores the configuration command and self-clears both the RANDOM\_GEN and RANDOM\_CHK registers.

In the event the MCU sends any other command instead of providing a value for the RANDOM\_CHK register, the state machine cancels the ongoing secure write transaction and performs the new I<sup>2</sup>C command.

In the event the MCU does not provide a value for the RANDOM\_CHK register, the I<sup>2</sup>C transaction will time out 10 ms after the RANDOM\_GEN code is generated, and device is ready for a new transaction.

Table 35. Secure bits

Register	Bit	Description
ABIST OV1	AB_SW1_OV	Writing a 1 to this flag to clear the ABIST fault notification
ABIST OV1	AB_SW2_OV	Writing a 1 to this flag to clear the ABIST fault notification
ABIST OV1	AB_SWND1_OV	Writing a 1 to this flag to clear the ABIST fault notification
ABIST OV2	AB_LDO1_OV	Writing a 1 to this flag to clear the ABIST fault notification
ABIST UV1	AB_SW1_UV	Writing a 1 to this flag to clear the ABIST fault notification

Table 35. Secure bits ...continued

Register	Bit	Description
ABIST UV1	AB_SW2_UV	Writing a 1 to this flag to clear the ABIST fault notification
ABIST UV1	AB_SWND1_UV	Writing a 1 to this flag to clear the ABIST fault notification
ABIST UV2	AB_LDO1_UV	Writing a 1 to this flag to clear the ABIST fault notification
ABIST RUN	AB_RUN	Writing a 1 starts an ABIST on demand
CTRL1	TMP_MON_EN	Writing a 0 disables the thermal monitor, preventing the thermal interrupts and thermal shutdown event from being detected
CTRL1	VIN_OVLO_EN	Writing a 0 disables the VIN overvoltage lockout monitor completely
CTRL1	WDI_MODE	Writing a 0 sets the WDI event to soft WD reset Writing a 1 sets the WDI event to hard WD reset
CTRL1	VIN_OVLO_SDWN	Writing a 0 disables a shutdown event upon a VIN overvoltage condition (only interrupts are provided)
CTRL1	WD_EN	Writing a 0 disables the watchdog counter block
CTRL1	WD_STBY_EN	Writing a 0 disables the watchdog counter during the standby mode
CTRL1	WDI_STBY_ACTIVE	Writing a 0 disables the monitoring of WDI input during standby mode
CTRL1	I2C_SECURE_EN	Writing a 0 disables de I <sup>2</sup> C secure write mode
VMONEN1	SW1VMON_EN	Writing a 0 disables the OV/UV monitor for SW1
VMONEN1	SW2VMON_EN	Writing a 0 disables the OV/UV monitor for SW2
VMONEN1	SWND1VMON_EN	Writing a 0 disables the OV/UV monitor for SWND1
VMONEN2	LDO1VMON_EN	Writing a 0 disables the OV/UV monitor for LDO1

## 15 Functional blocks

### 15.1 Analog core and internal voltage references

All regulators use the main bandgap as the reference for the output voltage generations, this bandgap is also used as reference for the internal analog core and digital core supplies. The performance of the regulators is directly dependent on the performance of the bandgap.

No external DC loading is allowed on V1P5A and V1P5D. V1P5D is kept powered as long as there is a valid supply and it may be used as a reference voltage for the VDDOTP and TBBEN pins during system power on.

The analog reference supply V1P5A is used as the internal reference supply for the voltage regulators. It is disabled in the LP\_OFF state to achieve low quiescent currents. In applications where there is two or more PMICs supplying a system, the V1P5A may be used to pull up the XFAILB pin to achieve proper power up and power down synchronization during system operation.

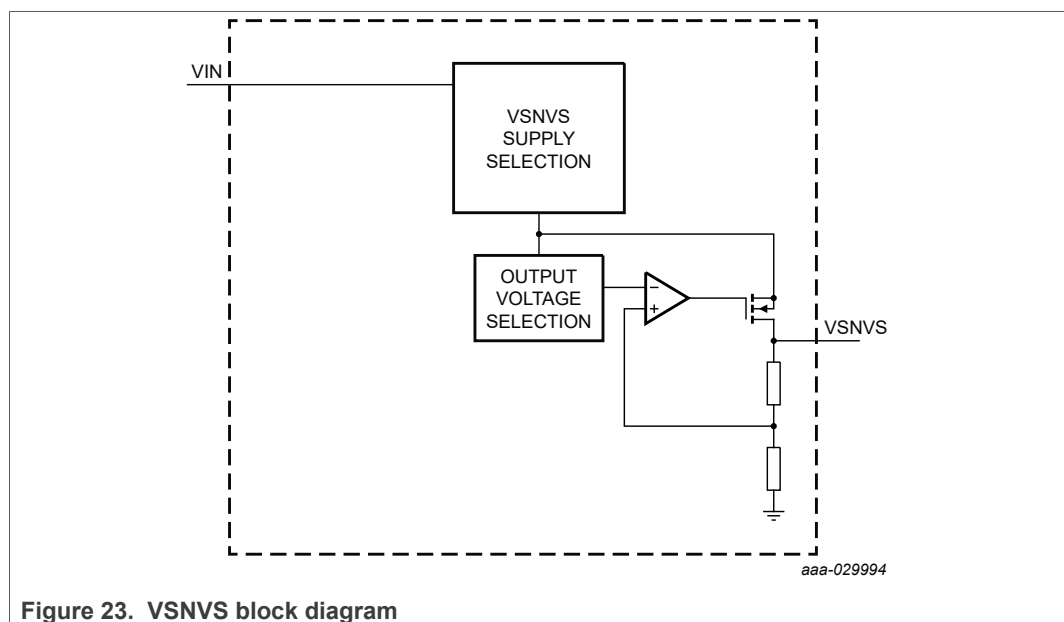
A second bandgap is provided as the reference for all the monitoring circuits. This architecture allows the PF5020 to provide a reliable way to detect not only single point but also latent faults in order to meet the metrics required by an ASIL B level application.

**Table 36. Internal supplies electrical characteristics**

Symbol	Parameter	Min	Typ	Max	Unit
V <sub>1P5D</sub>	V1P5D output voltage	1.50	1.60	1.65	V
C <sub>1P5D</sub>	V1P5D output capacitor	—	1.0	—	μF
V <sub>1P5A</sub>	V1P5A output voltage	1.50	1.60	1.65	V
C <sub>1P5A</sub>	V1P5A output capacitor	—	1.0	—	μF

### 15.2 VSNVS LDO/switch

VSNVS is a 10 mA LDO/switch provided to power the RTC domain in the processor. In systems using the i.MX 8 processors, it powers the VDD\_SNVS\_IN domain of the MCU.



**Figure 23. VSNVS block diagram**

When VIN is rising and VIN > UVDET, the VSNVS is powered by VIN. When operating from VIN, it can regulate the output to 1.8 V, 3.0 V or 3.3 V. If the configured output voltage is higher than the input source, the VSNVS operates in dropout mode to track the input voltage.

**Table 37. VSNVS output voltage configuration**

OTP_VSNVSVOLT[1:0]	VSNVSVOLT[1:0]	VSNVS output voltage (V)
00	00	OFF
01	01	1.8
10	10	3.0
11	11	3.3

The VSNVS output keeps regulation through all states, including the system On, Off modes, power down sequence, watchdog reset, fail-safe transition and fail-safe state as long as it has a valid input (VIN), and the output has been configured by the OTP\_VSNVSVOLT[1:0] registers.

For system debugging purposes, the VSNVS output may be changed during the system On state by changing the VSNVSVOLT[1:0] bits in the functional I<sup>2</sup>C registers.

## Power management integrated circuit (PMIC) for high performance applications

**Table 38. VSNVS electrical characteristics**

All parameters are specified at  $T_A = -40\text{ °C}$  to  $125\text{ °C}$ , unless otherwise noted. Typical values are characterized at  $V_{IN} = 5.0\text{ V}$ , and  $T_A = 25\text{ °C}$ , unless otherwise noted.

Symbol	Parameter	Min	Typ	Max	Unit
$V_{IN\_SNVS}$	Operating voltage range from VIN	2.5	—	5.5	V
$V_{LICELL\_SNVS}$	Operating voltage range from LICELL	1.728	—	5.5	V
$I_{SNVS}$	VSNVS load current range	0	—	10	mA
$V_{SNVS\_ACC}$	VSNVS output voltage accuracy in LDO mode	-5.0	—	5.0	%
$V_{SNVS\_RDSON}$	VSNVS LDO on resistance VSNVSVOLT[1:0] = 10 or 11	—	—	20	$\Omega$
$V_{SNVS\_IQ}$	VSNVS quiescent current in LDO mode	—	5.0	—	$\mu\text{A}$
$V_{SNVS\_HDR}$	VSNVS LDO headroom voltage Minimum voltage above setting VSNVSVOLT[1:0] = 10 or 11 to guarantee regulation with 5 % tolerance	200	—	—	mV
$V_{SNVS\_HDR}$	VSNVS LDO headroom voltage Minimum voltage above setting VSNVSVOLT[1:0] = 01 to guarantee regulation with 5 % tolerance	500	—	—	mV
$V_{SNVS\_OS}$	VSNVS startup overshoot	—	—	200	mV
$V_{SNVS\_TRANS}$	VSNVS load transient	-100	—	100	mV
$V_{SNVS\_SW\_R}$	VSNVS switch mode resistance VSNVSVOLT[1:0] = 10 or 11	—	—	20	$\Omega$
$V_{SNVS\_LICELL\_IQ}$	VSNVS quiescent current in switch mode VSNVSVOLT[1:0] = 10 or 11	—	1.0	—	$\mu\text{A}$
$V_{SNVS\_ILIM}$	VSNVS current limit	20	—	60	mA
$V_{SNVS\_TON}$	VSNVS turn on time Block enabled to VSNVS at 90 % of final value	—	—	1.35	ms

### 15.3 Type 1 buck regulators (SW1 and SW2)

The PF5020 features two low voltage regulators with input supply range from 2.5 V to 5.5 V and output voltage range from 0.4 V to 1.8 V in 6.25 mV steps. Each voltage regulator is capable to supply 2.5 A and features a programmable soft-start and DVS ramp for system power optimization.

Power management integrated circuit (PMIC) for high performance applications

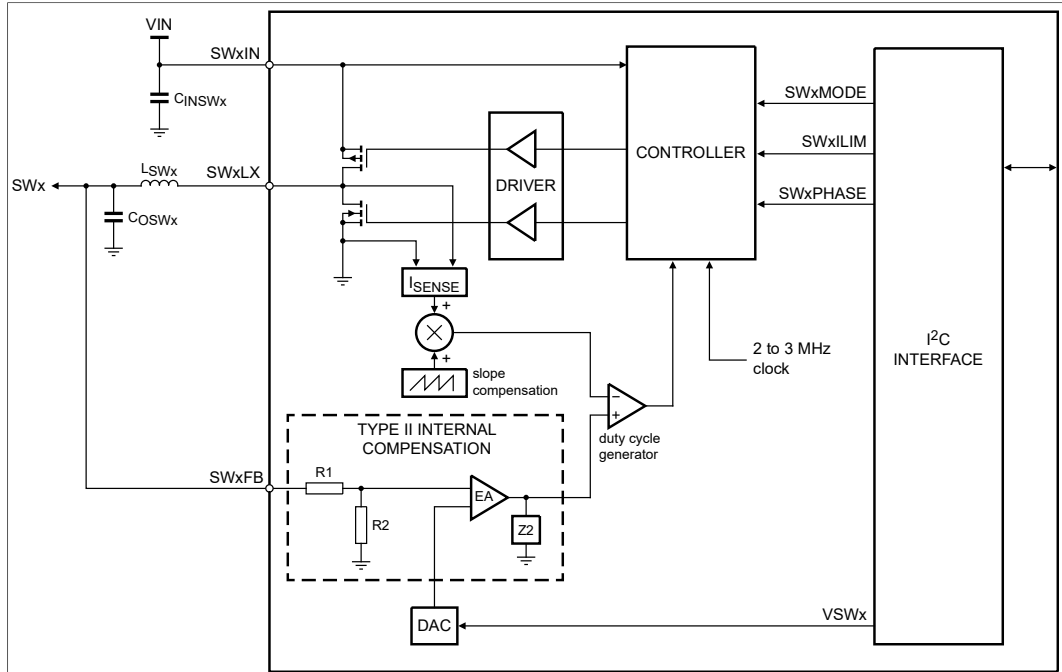


Figure 24. Buck regulator block diagram

The OTP\_SWxDVS\_RAMP bit sets the default step/time ratio for the power up ramp during the power up/down sequence as well as the DVS slope during the system On.

The power down ramp and DVS rate during the system On of SW1 and SW2 can be modified during the system On state by changing the SWxDVS\_RAMP bits on the I<sup>2</sup>C register map.

The DVS ramp rate between 0.4 V and 1.5 V output setting is based on the internal clock configuration as shown in [Table 39](#).

The ramp rate at 1.8 V output setting is 20 % faster than the values in [Table 39](#).

Table 39. SWx ramp rates

All ramp rates are typical values.  
Clock frequency tolerance = ± 6 %.

CLK_FREQ[3:0]	Switching regulators frequency (MHz)	DVS_RAMP = 00		DVS_RAMP = 01		DVS_RAMP = 10		DVS_RAMP = 11	
		Ramp up rate (mV/μs)	Ramp down rate (mV/μs)	Ramp up rate (mV/μs)	Ramp down rate (mV/μs)	Ramp up rate (mV/μs)	Ramp down rate (mV/μs)	Ramp up rate (mV/μs)	Ramp down rate (mV/μs)
0000	2.500	7.81	5.21	15.63	10.42	3.91	2.60	1.95	1.30
0001	2.625	8.20	5.47	16.41	10.94	4.10	2.73	2.05	1.37
0010	2.750	8.59	5.73	17.19	11.46	4.30	2.86	2.15	1.43
0011	2.875	8.98	5.99	17.97	11.98	4.49	2.99	2.25	1.50
0100	3.000	9.38	6.25	18.75	12.50	4.69	3.13	2.34	1.56
1001	2.000	6.25	4.17	12.50	8.33	3.13	2.08	1.56	1.04
1010	2.125	6.64	4.43	13.28	8.85	3.32	2.21	1.66	1.11
1011	2.250	7.03	4.69	14.06	9.38	3.52	2.34	1.76	1.17
1100	2.375	7.42	4.95	14.84	9.90	3.71	2.47	1.86	1.24

Buck regulators SWx use 8 bits to set the output voltage.

- The VSWx\_RUN[7:0] set the output voltage during Run mode.
- The VSWx\_STBY[7:0] set the output voltage during Standby mode.

The default output voltage configuration for Run and Standby modes is loaded from the OTP\_VSWx[7:0] registers upon power up.

**Table 40. SWx output voltage configuration**

Set point	VSWx_RUN[7:0] VSWx_STBY[7:0]	V <sub>SWxFB</sub> (V)
0	00000000	0.40000
1	00000001	0.40625
2	00000010	0.41250
3	00000011	0.41875
.	.	.
.	.	.
175	10101111	1.49375
176	10110000	1.50000
177	10110001	1.80000
178 to 255	10110010 to 11111111	Reserved

DVS operation is available for all voltage settings between 0.4 V to 1.5 V. However, the SWx regulator is not intended to perform DVS transitions to or from the 1.8 V configuration. In the event a voltage change is requested between any of the low voltage settings and 1.8 V, the switching regulator is automatically disabled first and then re-enabled at the selected voltage level to avoid an uncontrolled transition to the new voltage setting.

Each regulator is provided with two bits to set its mode of operation.

- The SWx\_RUN\_MODE[1:0] bits allow the user to change the mode of operation of the SWx regulators during the Run state. If the regulator was programmed as part of the power up sequence, the SWx\_RUN\_MODE[1:0] bits are loaded with 0b11 (autoskip) by default. Otherwise, it is loaded with 0b00 (disabled).
- The SWx\_STBY\_MODE[1:0] bits allow the user to change the mode of operation of the SWx regulators during the Standby state. If the regulator was programmed as part of the power up sequence, the SWx\_STBY\_MODE[1:0] bits are loaded with 0b11 (autoskip) by default. Otherwise, it is loaded with 0b00 (disabled).

**Table 41. SWx regulator mode configuration**

SWx_MODE[1:0]	Mode of operation
00	OFF
01	PWM mode
10	PFM mode
11	Auto skip mode

The SWx\_MODE\_I interrupt asserts the INTB pin when any of the Type 1 regulators have changed the mode of operation, provided the corresponding interrupt is not masked.

To avoid potential detection of an OV/UV fault during SWx ramp up, it is recommended to power up the regulator in PWM or autoskip mode.

SWx regulators use 2 bits SWxILIM[1:0], to program the current limit detection.

Table 42. SWx current limit selection

SWxILIM[1:0]	Typical current limit
00	2.1 A
01	2.6 A
10	3.0 A
11	4.5 A

The current limit specification is given with respect to the inductor peak current. To calculate the DC current at which the buck regulator would enter into current limitation, it is necessary to calculate the inductor ripple current. An ideal approximation is enough to obtain the ripple current as follows:

$$\Delta iL = [(VIN-VOUT) \times (VOUT/VIN)] / (L \times FSW)$$

Where L is the inductance value and Fsw is the selected switching frequency.

The DC current limit is then calculated by

$$DC\ ILIM = ILIM - (\Delta iL / 2)$$

In order to account for component tolerances, use the minimum inductor value per the inductor specification.

During single phase operation, all buck regulators use 3 bits (SWxPHASE[2:0]) to control the phase shift of the switching frequency. Upon power up, the switching phase of all regulators is defaulted to 0 degrees and can be modified during the system On state.

Table 43. SWx phase configuration

SWx_PHASE[2:0]	Phase shift [degrees]
000	45
001	90
010	135
011	180
100	225
101	270
110	315
111	0 (default)

Each one of the buck regulator provides 2 OTP bits to configure the value of the inductor used in the corresponding block. The OTP\_SWx\_LSELECT[1:0] allows to choose the inductor as shown in [Table 44](#).

Table 44. SWx inductor selection bits

OTP_SWx_LSELECT[1:0]	Inductor value
00	1.0 $\mu$ H
01	0.47 $\mu$ H
10	1.5 $\mu$ H
11	Reserved

### 15.3.1 SW2 VTT operation

SW2 features a selectable VTT mode to create VTT termination for DDR memories.

When SW2\_VTTEN = 1, the VTT mode is enabled. In this mode, SW2 reference voltage is internally connected to SW1FB output through a divider by 2.

During the VTT mode, the DVS operation on SW2 is disabled and SW2 output is given by  $V_{SW1FB} / 2$ . In this mode, the minimum output voltage configuration for SW1 should be 800 mV to ensure the SW2 is still within the regulation range at its output.

During the power up sequence, the SW2 (VTT) may be turned on in the same or at a slot higher than SW1, as required by the system. When SW2 and SW1 are enabled in the same slot, SW2 will always track the VSW1/2. When SW2 is enabled after SW1, it will ramp up gradually to a predefined voltage and once this voltage is reached, it will start tracking VSW1/2. The user may adjust the value at which the SW2 should start tracking the voltage on the SW1 regulator by setting the OTP\_VSW2 register accordingly.

During normal operation, if the SW1 is disabled via the I<sup>2</sup>C command, SW2 tracks the output of SW1 and both regulators are discharged together and pulled down internally. When SW1 is enabled back via the I<sup>2</sup>C commands, the SW1 output ramps up to the corresponding voltage while SW2 is always VSW1/2.

When only SW2 is disabled the PMIC uses the OTP\_VTT\_PDOWN bit to program whether the SW2 regulator is disabled with the output in high impedance or discharged internally.

- When OTP\_VTT\_PDOWN = 0, the output is disabled in high impedance mode.
- When OTP\_VTT\_PDOWN = 1, the output is disabled with the internal pull down enabled.

When SW2 is requested to enable back again, the SW2 ramps up to the voltage set on the VSW2\_RUN or VSW2\_STBY registers. Once it reaches the final DVS value, it will change its reference to start tracking SW1 output again. Note that VSW2\_RUN(STBY) must be set to VSW1\_RUN(STBY)/2 or the closest code by the MCU to ensure proper operation.

When operating in VTT mode, the minimum output voltage configuration for SW1 should be 800 mV to ensure the SW2 is still within the regulation range at its output.

### 15.3.2 Multiphase operation

Regulators SW1 and SW2 can be configured in dual phase mode. In this mode, SW1 registers control the output voltage and other configurations. Likewise, SW1FB pin becomes the main feedback node for the resulting voltage rail, however the two FB pins should be connected together.

The OTP\_SW1CONFIG[1:0] bits are used to select the multiphase configuration for SW1/SW2.

Table 45. OTP\_SW1CONFIG register description

OTP_SW1CONFIG[1:0]	Description
00	SW1 and SW2 operate in single phase mode
01	SW1/SW2 operate in dual phase mode
10	Reserved
11	Reserved



## 15.3.3 Electrical characteristics

Table 46. Type 1 buck regulator electrical characteristics

All parameters are specified at  $T_A = -40$  to  $125$  °C,  $V_{SWxIN} = UVDET$  to  $5.5$  V,  $V_{SWxFB} = 1.0$  V,  $I_{SWx} = 500$  mA, typical external component values,  $f_{SW} = 2.25$  MHz, unless otherwise noted. Typical values are characterized at  $V_{SWxIN} = 5.0$  V,  $V_{SWxFB} = 1.0$  V,  $I_{SWx} = 500$  mA, and  $T_A = 25$  °C, unless otherwise noted.

Symbol	Parameter <sup>[1][2]</sup>	Min	Typ	Max	Unit
$V_{SWxIN}$	Operating functional input voltage	UVDET	—	5.5	V
$V_{SWxACC}$	Output voltage accuracy PWM mode $0.4 \text{ V} \leq V_{SWxFB} \leq 0.8 \text{ V}$ $0 \leq I_{SWx} \leq 2.5 \text{ A}$	-10	—	10	mV
$V_{SWxACC}$	Output voltage accuracy PWM mode $0.8 \text{ V} < V_{SWxFB} \leq 1.0 \text{ V}$ $0 \leq I_{SWx} \leq 2.5 \text{ A}$	-2.0	—	2.0	%
$V_{SWxACC}$	Output voltage accuracy PWM mode $1.0 \text{ V} < V_{SWxFB} \leq 1.5 \text{ V}$ $0 \leq I_{SWx} \leq 2.5 \text{ A}$	-1.5	—	1.5	%
$V_{SWxACC}$	Output voltage accuracy PWM mode $V_{SWxFB} = 1.8 \text{ V}$ $0 \leq I_{SWx} \leq 2.5 \text{ A}$	-1.5	—	1.5	%
$V_{SWxACCPFM}$	Output voltage accuracy PFM mode $0.4 \text{ V} \leq V_{SWxFB} \leq 1.5 \text{ V}$ $0 \leq I_{SWx} \leq 100 \text{ mA}$	-36	—	36	mV
$V_{SWxACCPFM}$	Output voltage accuracy PFM mode $V_{SWxFB} = 1.8 \text{ V}$ $0 \leq I_{SWx} \leq 100 \text{ mA}$	-57	—	57	mV
$t_{PFMtoPWM}$	PFM to PWM transition time	30	—	—	$\mu\text{s}$
$I_{SWx}$	Max load current in single phase <sup>[3]</sup>	2500	—	—	mA
$I_{SWx\_DP}$	Max load current in dual phase <sup>[3]</sup>	5000	—	—	mA
$I_{SWxLIM}$	Current limiter - inductor peak current detection $SWxILIM[1:0] = 00$	1.6	2.1	2.5	A
$I_{SWxLIM}$	Current limiter - inductor peak current detection $SWxILIM[1:0] = 01$	2.0	2.6	3.1	A
$I_{SWxLIM}$	Current limiter - inductor peak current detection $SWxILIM[1:0] = 10$	2.4	3.0	3.7	A
$I_{SWxLIM}$	Current limiter - inductor peak current detection $SWxILIM[1:0] = 11$	3.6	4.5	5.45	A
$I_{SWxNLIM}$	Negative current limit in single phase mode	0.6	1.0	1.4	A
$I_{SWxxLIM\_DP}$	Current limit in dual phase operation $SWxILIM = 00$ (primary)	3.2	4.2	5.0	A
$I_{SWxxLIM\_DP}$	Current limit in dual phase operation $SWxILIM = 01$ (primary)	4.0	5.2	6.2	A
$I_{SWxxLIM\_DP}$	Current limit in dual phase operation $SWxILIM = 10$ (primary)	4.8	6.0	7.4	A
$I_{SWxxLIM\_DP}$	Current limit in dual phase operation $SWxILIM = 11$ (primary)	7.2	9.0	10.9	A
$V_{SWxOSH}$	Startup overshoot $SWxDVS \text{ RAMP} = 6.25 \text{ mV}/\mu\text{s}$ $V_{SWxIN} = 5.5 \text{ V}$ , $V_{SWxFB} = 1.0 \text{ V}$	-25	25	50	mV

Power management integrated circuit (PMIC) for high performance applications

**Table 46. Type 1 buck regulator electrical characteristics...continued**

All parameters are specified at  $T_A = -40$  to  $125$  °C,  $V_{SWxIN} = UVDET$  to  $5.5$  V,  $V_{SWxFB} = 1.0$  V,  $I_{SWx} = 500$  mA, typical external component values,  $f_{SW} = 2.25$  MHz, unless otherwise noted. Typical values are characterized at  $V_{SWxIN} = 5.0$  V,  $V_{SWxFB} = 1.0$  V,  $I_{SWx} = 500$  mA, and  $T_A = 25$  °C, unless otherwise noted.

Symbol	Parameter <sup>[1][2]</sup>	Min	Typ	Max	Unit
$t_{ONSWxMAX}$	Maximum turn on time From enable to 90 % of end value SWxDVS RAMP = 11 (1.56 mV/μs, 2 MHz) VSWxIN = 5.5 V, VSWxFB= 1.5 V	—	—	895	μs
$t_{ONSWx\_MIN}$	Minimum turn on time From enable to 90 % of end value SWxDVS RAMP = 01 (18.75 mV/μs, 3 MHz) VSWxIN = 5.5 V, VSWxFB= 0.4 V	49.2	—	—	μs
$\eta_{SWx}$	Efficiency (PFM mode, 1.0 V, 1.0 mA)	—	80	—	%
$\eta_{SWx}$	Efficiency (PFM mode, 1.0 V, 50 mA)	—	81	—	%
$\eta_{SWx}$	Efficiency ( PFM Mode, 1.0 V, 100 mA)	—	82	—	%
$\eta_{SWx}$	Efficiency (PWM mode, 1.0 V, 500 mA)	—	83	—	%
$\eta_{SWx}$	Efficiency (PWM mode, 1.0 V, 1000 mA)	—	82	—	%
$\eta_{SWx}$	Efficiency (PWM mode, 1.0 V, 2000 mA)	—	79	—	%
$V_{SWxLOTR}$	Transient load regulation (overshoot/undershoot) at $0.8$ V < $V_{SWxFB} \leq 1.2$ V, $C_{OUT} = 44$ μF per phase ILOAD = 200 mA to 1.0 A, di/dt = 2.0 A/μs (Single phase) ILOAD = 400 mA to 2.0 A, di/dt = 4.0 A/μs (Dual phase)	-25	—	25	mV
$V_{SWxLOTR}$	Transient load regulation (overshoot/undershoot) at $1.25$ V < $V_{SWxFB} \leq 1.8$ V, $C_{OUT} = 44$ μF per phase ILOAD = 200 mA to 1.0 A, di/dt = 2.0 A/μs (Single phase) ILOAD = 400 mA to 2.0 A, di/dt = 4.0 A/μs (Dual phase)	-3.0	—	3.0	%
$F_{SWx}$	PWM switching frequency range Frequency set by CLK_FREQ[3:0]	1.9	2.5	3.15	MHz
$T_{OFFminSWx}$	Minimum off time	—	27	—	ns
$T_{DBSWx}$	Deadband time	—	3.0	—	ns
$T_{slew}$	Slewing time (10 % to 90 %)	—	—	5.0	ns
$D_{VSWx}$	Output ripple in PWM mode at $V_{SWxFB} = 1.0$ V	—	—	1.0	%
$I_{RCS}$	DCM (skip mode) reverse current sense threshold Current flowing from PGND to SWxLX	-200	—	200	mA
$I_{SWxQ}$	Quiescent current PFM mode	—	14	—	μA
$I_{SWxQ}$	Quiescent current Auto skip mode	—	160	250	μA
$I_{SWxQ\_DP}$	Quiescent current in dual phase PWM mode	—	200	320	μA
$R_{ONSWxHS}$	SWx high-side P-MOSFET $R_{DS(on)}$ <sup>[4]</sup>	—	—	135	mΩ
$R_{ONSWxLS}$	SWx low-side N-MOSFET $R_{DS(on)}$ <sup>[4]</sup>	—	—	80	mΩ
$R_{SWxDIS}$	Discharge resistance Regulator disabled and ramp down completed	50	100	200	Ω

- [1] For VSWx configurations greater than 1.35 V, full parametric operation is guaranteed for  $2.7$  V <  $SWxVIN$  <  $5.5$  V. Below 2.7 V, the SWx regulators are fully functional with degraded operation due to headroom limitation.
- [2] For VSWx = 1.8 V, output capacitance should be kept at or below the maximum recommended value. Likewise, it is recommended to use the slow turn on/off ramp rate to ensure the output is discharged completely when it is disabled.
- [3] The Type 1 buck regulator in single or multi phase configuration is capable of providing output current above the nominal max current specification as long as it does not reach the current limitation. However, if operating above the nominal maximum current, overall thermal considerations must be taken into account to prevent PMIC thermal shutdown during high ambient temperature conditions.
- [4] Max  $R_{DS(on)}$  does not include bondwire resistance. Consider +/- 50 % tolerance to account for bondwire and pin loss.

Table 47. Recommended external components

Symbol	Parameter	Min	Typ	Max	Unit
L	Output inductor Maximum inductor DC resistance 50 mΩ Minimum saturation current at full load: 3.0 A	0.47	1.0	1.5	μH
C <sub>out</sub>	Output capacitor Use 2 × 22 μF, 6.3 V X7T ceramic capacitor to reduce output capacitance ESR	35	44	53	μF
C <sub>in</sub>	Input capacitor 4.7 μF, 10 V X7R ceramic capacitor	4.23	4.7	5.17	μF

[1] Keep inductor DCR as low as possible to improve regulator efficiency.

### 15.4 Type 2 buck regulator (SWND1)

The PF5020 also features one single phase low voltage buck regulator (SWND1) with an input voltage range between 2.5 V and 5.5 V and an output voltage range from 1.0 V to 4.1 V.

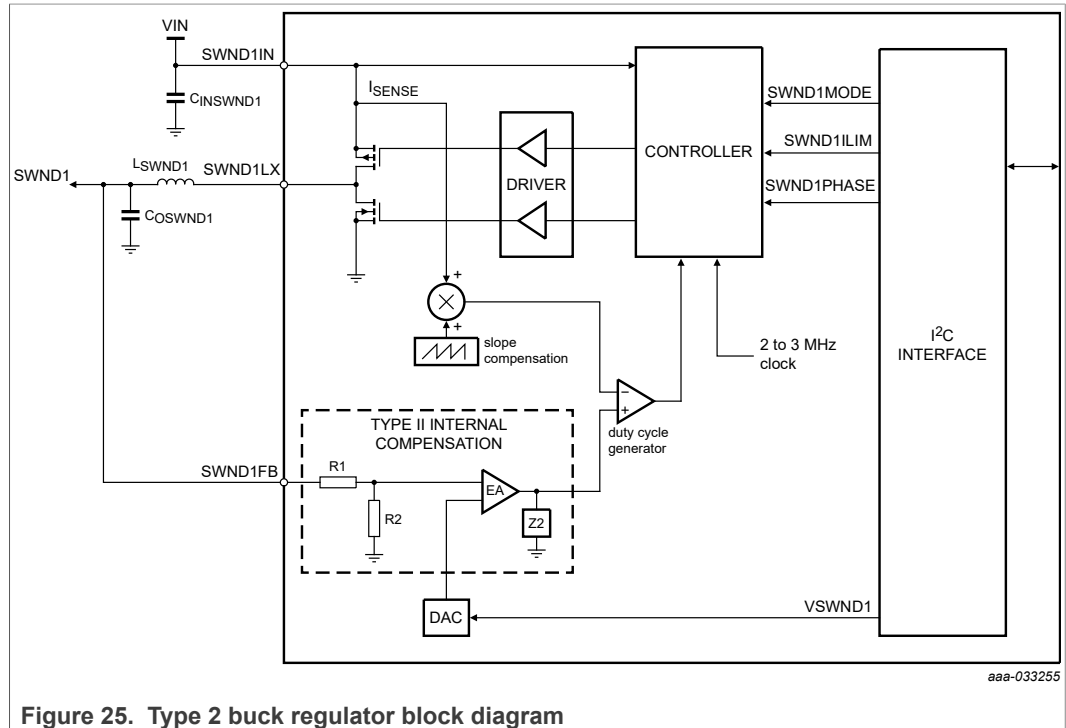


Figure 25. Type 2 buck regulator block diagram

Buck regulator SWND1 uses 5 bits to set the output voltage. The VSWND1[4:0] sets the output voltage during Run and Standby mode.

The SWND1 is designed to have a fixed voltage throughout the system operation. In the event a system requires this regulator to change its output voltage during the system On state, when the SWND1 is commanded to change the voltage via the I<sup>2</sup>C command, the output will be discharged first and then enabled back to the new voltage level as stated in the VSWND1[4:0] bits.

The default output voltage configuration for Run and the Standby modes is loaded from the OTP\_VSWND1[4:0] registers upon power up.

Table 48. SWND1 output voltage configuration

Set point	V <sub>SWND1</sub> [4:0]	V <sub>SWND1FB</sub> (V)
0	0 0000	1.00
1	0 0001	1.10
2	0 0010	1.20
3	0 0011	1.25
4	0 0100	1.30
5	0 0101	1.35
6	0 0110	1.50
7	0 0111	1.60
8	0 1000	1.80
9	0 1001	1.85
10	0 1010	2.00
11	0 1011	2.10
12	0 1100	2.15
13	0 1101	2.25
14	0 1110	2.30
15	0 1111	2.40
16	1 0000	2.50
17	1 0001	2.80
18	1 0010	3.15
19	1 0011	3.20
20	1 0100	3.25
21	1 0101	3.30
22	1 0110	3.35
23	1 0111	3.40
24	1 1000	3.50
25	1 1001	3.80
26	1 1010	4.00
27	1 1011	4.10
28	1 1100	4.10
29	1 1101	4.10
30	1 1110	4.10
31	1 1111	4.10

Regulator SWND1 is provided with 2 bits to set its mode of operation.

- The SWND1\_RUN\_MODE[1:0] bits allow the user to change the mode of operation of the SWND1 regulators during the run state. If the regulator was programmed as part of the power up sequence, the SWND1\_RUN\_MODE[1:0] bits are loaded with 0b11 (autoskip) by default. Otherwise, it is loaded with 0b00 (disabled).
- The SWND1\_STBY\_MODE[1:0] bits allow the user to change the mode of operation of the SWND1 regulators during the standby state. If the regulator was programmed as part of the power up sequence, the SWND1\_STBY\_MODE[1:0] bits are loaded with 0b11 (autoskip) by default. Otherwise, it is loaded with 0b00 (disabled).

**Table 49. SWND1 regulator mode configuration**

SWND1_MODE[1:0]	Mode of operation
00	OFF
01	PWM mode
10	PFM mode
11	Autoskip mode

The SWND1\_MODE\_I interrupt asserts the INTB pin when the SWND1 regulator has changed the mode of operation, provided the corresponding interrupt is not masked.

When the device toggles from Run to Standby mode, the SWND1 output voltage remains the same, unless the regulator is enabled/disabled by the corresponding SWND1\_RUN\_MODE[1:0] or SWND1\_STBY\_MODE[1:0] bits.

The SWND1ILIM [1:0] bits are used to program the current limit detection level of SWND1.

**Table 50. SWND1 current limit selection**

SWND1ILIM[1:0]	Typical current limit
00	2.1 A
01	2.6 A
10	3.0 A
11	4.5 A

The current limit specification is given with respect to the inductor peak current. To calculate the DC current at which the buck regulator would enter into current limitation, it is necessary to calculate the inductor ripple current. An ideal approximation is enough to obtain the ripple current as follows:

$$\Delta i_L = [(V_{IN}-V_{OUT}) \times (V_{OUT}/V_{IN})]/(L \times F_{SW})$$

Where L is the inductance value and Fsw is the selected switching frequency.

The DC current limit is then calculated by

$$DC\ ILIM = ILIM - (\Delta i_L / 2)$$

In order to account for component tolerances, use the minimum inductor value per the inductor specification.

Regulator SWND1 uses 3 bits (SWxPHASE[2:0]) to control the phase shift of the switching frequency. Upon power up, the switching phase is defaulted to 0° and can be modified during the system On state.

**Table 51. SWND1 phase configuration**

SWND1_PHASE[2:0]	Phase shift (°)
000	45
001	90
010	135
011	180
100	225
101	270
110	315

Power management integrated circuit (PMIC) for high performance applications

Table 51. SWND1 phase configuration...continued

SWND1_PHASE[2:0]	Phase shift (°)
111	0

SWND1 buck regulator provide 2 OTP bits to configure the value of the inductor used in the power stage. The OTP\_SWND1\_LSELECT[1:0] allow to choose the inductor as shown in Table 52.

Table 52. SWND1 inductor selection bits

OTP_SWND1_LSELECT[1:0]	Inductor value
00	1.0 µH
01	0.47 µH
10	1.5 µH
11	Reserved

15.4.1 Electrical characteristics

Table 53. Type 2 buck regulator electrical characteristics

All parameters are specified at  $T_A = -40$  to  $125$  °C,  $V_{IN} = V_{SWND1IN} = UVDET$  to  $5.5$  V,  $V_{SWND1FB} = 1.8$  V,  $I_{SWND1} = 500$  mA, typical external component values,  $f_{SW} = 2.25$  MHz, unless otherwise noted. Typical values are characterized at  $V_{SWND1IN} = 5.0$  V,  $V_{SWND1FB} = 1.8$  V,  $I_{SWND1} = 500$  mA, and  $T_A = 25$  °C, unless otherwise noted.

Symbol	Parameter	Min	Typ	Max	Unit
$V_{SWND1IN}$	Operating input voltage range $1.2 \text{ V} < V_{SWND1FB} \leq 1.85 \text{ V}$ , $DCR \leq 40 \text{ m}\Omega$	UVDET	—	5.5	V
$V_{SWND1IN}$	Operating input voltage range $1.85 \text{ V} < V_{SWND1FB} < 4.5 \text{ V}$ , $DCR \leq 40 \text{ m}\Omega$	$V_{SWND1FB} + 0.65$	—	5.5	V
$V_{SWND1ACC}$	Output voltage accuracy PWM mode $0 \leq I_{SWND1} \leq 2.5 \text{ A}$	-2.0	—	2.0	%
$V_{SWND1ACC}$	Output voltage accuracy PFM mode $0 \leq I_{SWND1} \leq \Delta I/2$	-4.0	—	4.0	%
$t_{PFMtoPWM}$	PFM to PWM transition time	10	—	—	µs
$I_{SWND1}$	Maximum output load [1]	2500	—	—	mA
$I_{SWND1LIM}$	Current limiter - inductor peak current detection SWND1LIM = 00	1.6	2.1	2.5	A
$I_{SWND1LIM}$	Current limiter - inductor peak current detection SWND1LIM = 01	2.0	2.6	3.1	A
$I_{SWND1LIM}$	Current limiter - inductor peak current detection SWND1LIM = 10	2.4	3.0	3.7	A
$I_{SWND1LIM}$	Current limiter - inductor peak current detection SWND1LIM = 11	3.6	4.5	5.45	A
$I_{SWND1NILIM}$	Negative current limit - inductor valley current detection	0.7	1.0	1.3	A
$t_{SWND1RAMP}$	Soft-start ramp time during power up and power down $V_{SWND1FB} = 1.8 \text{ V}$	90	—	200	µs
$t_{ONSWND1}$	Turn on time From regulator enabled to 90 % of end value $V_{SWND1FB} = 1.8 \text{ V}$	100	180	300	µs
$V_{SWND1OSH}$	Startup overshoot	-50	—	50	mV
$\eta_{SWND1}$	Efficiency PFM mode, 3.3 V, 1.0 mA, $T_J = 125$ °C	—	85	—	%

Power management integrated circuit (PMIC) for high performance applications

Table 53. Type 2 buck regulator electrical characteristics...continued

All parameters are specified at  $T_A = -40$  to  $125$  °C,  $V_{IN} = V_{SWND1IN} = UVDET$  to  $5.5$  V,  $V_{SWND1FB} = 1.8$  V,  $I_{SWND1} = 500$  mA, typical external component values,  $f_{SW} = 2.25$  MHz, unless otherwise noted. Typical values are characterized at  $V_{SWND1IN} = 5.0$  V,  $V_{SWND1FB} = 1.8$  V,  $I_{SWND1} = 500$  mA, and  $T_A = 25$  °C, unless otherwise noted.

Symbol	Parameter	Min	Typ	Max	Unit
$\eta_{SWND1}$	Efficiency PFM mode, 3.3 V, 50 mA, $T_J = 125$ °C	—	88	—	%
$\eta_{SWND1}$	Efficiency PFM mode, 3.3 V, 100 mA, $T_J = 125$ °C	—	90	—	%
$\eta_{SWND1}$	Efficiency PWM mode, 3.3 V, 400 mA, $T_J = 125$ °C	—	91	—	%
$\eta_{SWND1}$	Efficiency PWM mode, 3.3 V, 1000 mA, $T_J = 125$ °C	—	92	—	%
$\eta_{SWND1}$	Efficiency PWM mode, 3.3 V, 2000 mA, $T_J = 125$ °C	—	90	—	%
$F_{SWx}$	PWM switching frequency range Frequency set by CLK_FREQ[3:0]	1.9	2.5	3.15	MHz
$T_{ONminSWND1}$	Minimum on time	—	50	—	ns
$T_{DBSWND1}$	Deadband time	—	3.0	—	ns
$T_{slew}$	Slewing time 10 % to 90 % $V_{SWND1IN} = 5.5$ V	—	—	5.0	ns
$\Delta V_{SWND1}$	Output ripple Output cap ESR ~ 10 m $\Omega$ , $2 \times 22$ $\mu$ F	-1.0	—	1.0	%
$V_{SWND1LOTR}$	Transient load regulation (overshoot/undershoot) at $V_{SWND1FB} = 1.8$ V, $C_{OUT} = 44$ $\mu$ F ILOAD = 200 mA to 1.0 A, di/dt = 2.0 A/ $\mu$ s	-50	—	50	mV
$I_{RCS}$	DCM (skip mode) reverse current sense threshold	—	10	—	mA
$I_{SWND1Q}$	Quiescent current PFM mode	—	18	—	$\mu$ A
$I_{SWND1Q}$	Quiescent current Auto skip mode	—	150	250	$\mu$ A
$R_{ONSWND1HS}$	SWND1 high-side P-MOSFET $R_{DS(on)}$ [2]	—	—	135	m $\Omega$
$R_{ONSWND1LS}$	SWND1 low-side N-MOSFET $R_{DS(on)}$ [2]	—	—	80	m $\Omega$
$R_{SWND1DIS}$	SWND1 discharge resistance (normal operation)	—	100	200	$\Omega$
$R_{SWND1TBB}$	SWND1 discharge resistance during TBB mode TBBEN = 1 and QPU_OFF state	1.0	2.0	3.0	k $\Omega$

[1] The Type 2 buck regulator is capable of providing output current above the nominal maximum current specification as long as it does not reach the current limitation. However, if operating above the nominal maximum current, overall thermal considerations must be taken into account to prevent PMIC thermal shutdown during high ambient temperature conditions.

[2] Max  $R_{DS(on)}$  does not include bondwire resistance. Consider +/- 50 % tolerance to account for bondwire and pin loss.

Table 54. Recommended external components

Symbol	Parameter	Min	Typ	Max	Unit
L	Output inductor [1] Maximum inductor DC resistance 50 m $\Omega$ Minimum saturation current at full load: 3.0 A	0.47	1.0	1.5	$\mu$ H
$C_{out}$	Output capacitor Use $2 \times 22$ $\mu$ F, 6.3 V X7T ceramic capacitor to reduce output capacitance ESR	—	44	—	$\mu$ F
$C_{in}$	Input capacitor 4.7 $\mu$ F, 10 V X7R ceramic capacitor	—	4.7	—	$\mu$ F

[1] Keep inductor DCR as low as possible to improve regulator efficiency.

### 15.5 Linear regulator

The PF5020 has one low-dropout (LDO) regulator with the following features:

- 400 mA current capability
- Input voltage range from 2.5 V to 5.5 V
- Programmable output voltage between 1.5 V and 5.0 V
- Soft-start ramp control during power up (enable)
- Discharge mechanism during power down (disable)
- OTP programmable load switch mode

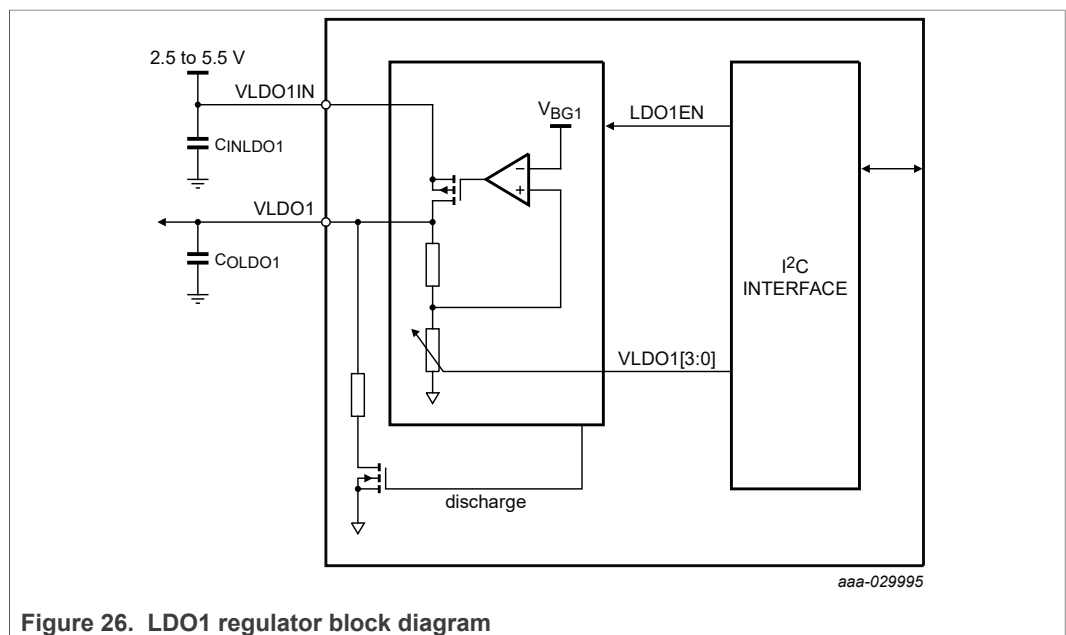


Figure 26. LDO1 regulator block diagram

LDO1 is provided with one bit to enable or disable its output during the system On state.

- When LDO1\_RUN\_EN = 0, the LDO is disabled during Run mode. If the regulator is part of the power up sequence, this bit is set during the power up sequence. Otherwise, it is defaulted to 0.
- When LDO1\_STBY\_EN = 0, the LDO is disabled during Standby mode. If the regulator is part of the power up sequence, this bit is set during the power up sequence. Otherwise, it is defaulted to 0.

The mode of operation of the LDO1 is selected on OTP via the OTP\_LDO1LS bit.

Table 55. LDO operation description

LDO1_RUN_EN / LDO1_STBY_EN	OTP_LDO1LS	LDO operation mode (Run or Standby mode)
0	X	Disabled with output pull down active
1	0	Enabled in normal mode
1	1	Enabled in load switch configuration

LDO1 use four bits to set the output voltage.



## Power management integrated circuit (PMIC) for high performance applications

- The VLDO1\_RUN[3:0] sets the output voltage during Run mode.
- The VLDO1\_STBY[3:0] sets the output voltage during Standby mode.

The default output voltage configuration for the run and the standby modes is loaded from the OTP\_VLDO1[3:0] registers on power up.

**Table 56. LDO output voltage configuration**

Set point	VLDO1_RUN[3:0] VLDO1_STBY[3 :0]	VLDO1 output (V)
0	0000	1.5
1	0001	1.6
2	0010	1.8
3	0011	1.85
4	0100	2.15
5	0101	2.5
6	0110	2.8
7	0111	3.0
8	1000	3.1
9	1001	3.15
10	1010	3.2
11	1011	3.3
12	1100	3.35
13	1101	4.0
14	1110	4.9
15	1111	5.0

### 15.5.1 LDO load switch operation

When the LDO1LS bit is set to 1, the corresponding LDO operates as a load switch, allowing a pass-through from the LDO1VIN to the LDO1VOUT output through a typical 130 mΩ resistance. In this mode of operation, the input must be kept inside the LDO operating input voltage range (2.5 V to 5.5 V)

The LDO1EN bit is used to enable or disable the switch.

### 15.5.2 LDO regulator electrical characteristics

**Table 57. LDO regulator electrical characteristics**

All parameters are specified at  $T_A = -40$  to  $125$  °C,  $V_{LDO1IN} = 2.5$  V to  $5.5$  V,  $V_{LDO1} = 1.8$  V,  $I_{LDO1} = 100$  mA, typical external component values, unless otherwise noted. Typical values are characterized at  $V_{LDO1IN} = 5.5$  V,  $V_{LDO1} = 1.8$  V,  $I_{LDO1} = 100$  mA, and  $T_A = 25$  °C, unless otherwise noted.

Symbol	Parameter	Min	Typ	Max	Units
$V_{LDO1IN}$	LDO1 operating input voltage range $1.5 \text{ V} \leq V_{LDO1} < 2.25 \text{ V}$	2.5	—	5.5	V
$V_{LDO1IN}$	LDO1 operating input voltage range $2.25 \text{ V} < V_{LDO1} < 5.0 \text{ V}$	$V_{LDO1NOM} + 0.25$	—	5.5	V
$I_{LDO1}$	Maximum load current	400	—	—	mA
$V_{LDO1TOL}$	Output voltage tolerance $1.5 \text{ V} \leq V_{LDO1} \leq 5.0 \text{ V}$ $0 \text{ mA} < I_{LDO1} \leq 400 \text{ mA}$	-3.0	—	3.0	%
$V_{LDO1LOR}$	Load regulation	—	0.10	0.20	mV/mA

## Power management integrated circuit (PMIC) for high performance applications

Table 57. LDO regulator electrical characteristics...continued

All parameters are specified at  $T_A = -40$  to  $125$  °C,  $V_{LDO1IN} = 2.5$  V to  $5.5$  V,  $V_{LDO1} = 1.8$  V,  $I_{LDO1} = 100$  mA, typical external component values, unless otherwise noted. Typical values are characterized at  $V_{LDO1IN} = 5.5$  V,  $V_{LDO1} = 1.8$  V,  $I_{LDO1} = 100$  mA, and  $T_A = 25$  °C, unless otherwise noted.

Symbol	Parameter	Min	Typ	Max	Units
$V_{LDO1LIR}$	Line regulation	—	1.0	20	mV/V
$I_{LDO1LIM}$	Current limit $I_{LDO1}$ when VLDO1 is forced to $V_{LDO1NOM}/2$	450	800	1200	mA
$I_{LDO1Q}$	Quiescent current (measured at $T_A = 25$ °C)	—	9.4	12.5	μA
$R_{DS(on)}$	Drop-out/load switch on resistance $V_{LDO1INx} = 3.3$ V (at $T_J = 125$ °C)	—	—	130	mΩ
$PSRR_{VLDO1}$	DC PSRR $I_{LDO1} = 150$ mA $VLDO1[3:0] = 0000$ to $1111$ $V_{LDO1INx} = V_{LDO1INMIN}$	48	—	—	dB
$TR_{VLDO1}$	Turn on rise time (soft-start ramp) 10 % to 90 % of end value $V_{LDO1} = 3.3$ V $I_{LDO1} = 0.0$ mA	—	220	360	μs
$t_{ONLDO1}$	Turn on time Enable to 90 % of end value $V_{LDO1} = 5.0$ V $I_{LDO1} = 0.0$ mA	—	—	500	μs
$t_{OFFLDO1}$	Turn off time Disable to 10 % of initial value $V_{LDO1} = 5.0$ V $I_{LDO1} = 0.0$ mA	—	—	2500	μs
$V_{LDO1OSHT}$	Startup overshoot $V_{LDO1INx} = V_{LDO1INxMIN}$ $V_{LDO1} = 5.0$ V $I_{LDO1} = 0.0$ mA	—	1.0	2.0	%
$V_{LDO1LOTR}$	Transient load response $I_{LDO1} = 10$ mA to $200$ mA in $2.0$ μs Peak of overshoot or undershoot of LDO1 with respect to final value	-3.0	—	3.0	%
$T_{onLDO1LS}$	Load switch mode turn on rise time	—	100	500	μs
$R_{dischLDO1}$	Output discharge resistance when LDO is disabled LDO and switch mode	45	90	135	Ω
$I_{LSxLIM}$	Load switch mode current limit when enabled $LSxILIM\_EN = 1$	450	800	1200	mA
$R_{LDO1TBB}$	LDO1 pull-down resistance during TBB mode $TBBEN = 1$ and in QPU_OFF state	1.0	2	—	kΩ

[1] Maximum  $R_{DS(on)}$  resistance does not include bondwire resistance. Consider  $\pm 50$  % tolerance to account for bondwire and pin losses.

## 15.6 Voltage monitoring

The PF5020 provides OV and UV monitoring capability for the following voltage regulators:

- SW1, SW2 and SWND1
- LDO1

A programmable UV threshold is selected via the  $OTP\_SWxUV\_TH[1:0]$  and  $OTP\_LDOxUV\_TH[1:0]$  bits. UV threshold selection represents a percentage of the nominal voltage programmed on each regulator.

Table 58. UV threshold configuration register

OTP_SWxUV_TH[1:0] OTP_LDOxUV_TH[1:0]	UV threshold level
00	95 %
01	93 %
10	91 %
11	89 %

A programmable OV threshold is selected via the OTP\_SWxOV\_TH[1:0] and OTP\_LDOxOV\_TH[1:0] bits. OV threshold selection represents a percentage of the nominal voltage programmed on each regulator.

Table 59. OV threshold configuration register

OTP_SWxOV_TH OTP_LDOxOV_TH	OV threshold level
00	105 %
01	107 %
10	109 %
11	111 %

Two functional bits are provided to program the UV debounce time for the voltage regulators.

Table 60. UV debounce timer configuration

UV_DB[1:0]	UV debounce time
00	5 $\mu$ s
01	15 $\mu$ s
10	30 $\mu$ s
11	40 $\mu$ s

The default value of the UV\_DB[1:0] upon a full register reset is 0b10.

Two functional bits to program the OV debounce time for all the voltage regulators.

Table 61. OV debounce timer configuration

OV_DB[1:0]	OV debounce time
00	30 $\mu$ s
01	50 $\mu$ s
10	80 $\mu$ s
11	125 $\mu$ s

The default value of the OV\_DB[1:0] upon a full register reset is 0b00.

The VMON\_EN bits enable or disable the OV/UV monitor for each one of the external regulators (SWxVMON\_EN, LDOxVMON\_EN).

- When the VMON\_EN bit of a specific regulator is 1, the voltage monitor for that specific regulator is enabled.
- When the VMON\_EN bit of a specific regulator is 0, the voltage monitor for that specific regulator is disabled.

By default, the VMON\_EN bits are set to 1 on power up.

When the I2C\_SECURE\_EN = 1, a secure write must be performed to set or clear the VMON\_EN bits to enable or disable the voltage monitoring for a specific regulator.

On enabling a regulator, the UV/OV monitor is masked until the corresponding regulator reaches the point of regulation. If a voltage monitor is disabled, the UV\_S and OV\_S indicators from that monitor are reset to 0.

Figure 27 shows the PF5020 voltage monitoring architecture.

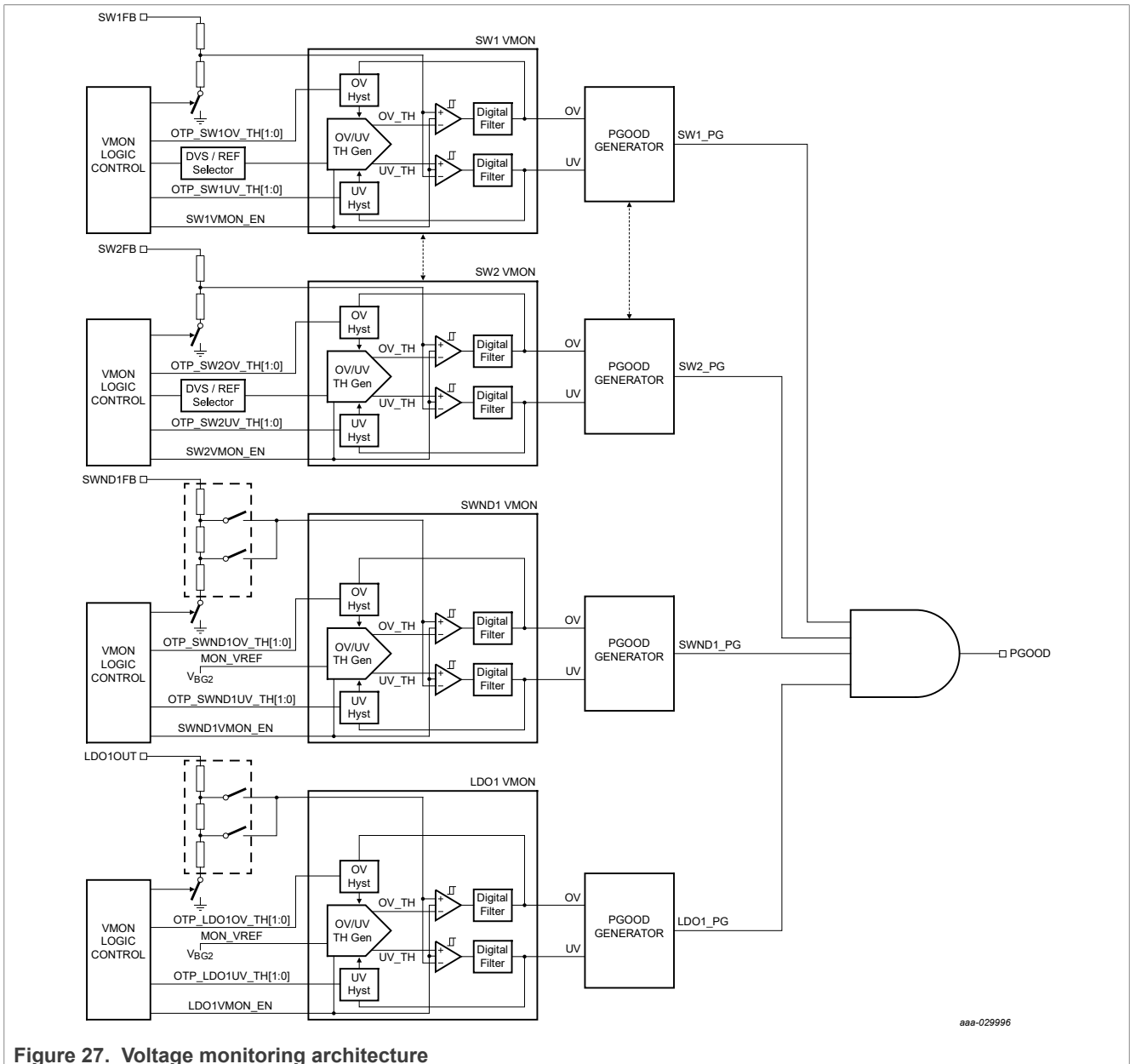


Figure 27. Voltage monitoring architecture

### 15.6.1 Electrical characteristics

**Table 62. VMON electrical characteristics**

All parameters are specified at  $T_A = -40\text{ }^{\circ}\text{C}$  to  $125\text{ }^{\circ}\text{C}$ , unless otherwise noted. Typical values are characterized at  $V_{IN} = 5.0\text{ V}$ ,  $V_{xFB} = 1.5\text{ V}$  (Type 1 Buck regulator),  $3.3\text{ V}$  (Type 2 Buck regulator, LDO regulator), and  $T_A = 25\text{ }^{\circ}\text{C}$ , unless otherwise noted.

Symbol	Parameter	Min	Typ	Max	Unit
$I_{QON}$	Block quiescent current, when block is enabled one block per regulator one block per regulator	—	10	13	$\mu\text{A}$
$I_{OFF}$	Block leakage current when disabled	—	—	500	nA
$t_{ON\_MON}$	Voltage monitor settling time after enabled	—	—	30	$\mu\text{s}$
$V_{xFBUVHysteresis}$	Power good (UV) hysteresis Voltage difference between UV rising and falling thresholds	—	0.5	—	%
$V_{UV\_Tol}$	Undervoltage falling threshold accuracy With respect to target feedback voltage tolerance For type 2 switching regulator and LDO regulator For type 1 switching regulator when $V_{SWxFB} > 0.75\text{ V}$	-2	—	2	%
$V_{UV\_Tol}$	Under voltage falling threshold accuracy With respect to target feedback voltage For type 1 switching regulator when $V_{SWxFB} \leq 0.75\text{ V}$	-3	—	3	%
$t_{UV\_DB}$	Power good (UV) debounce time UV_DV = 00	2.5	5.0	7.5	$\mu\text{s}$
	Power good (UV) debounce time UV_DV = 01	10	15	20	
	Power good (UV) debounce time UV_DV = 10	20	30	40	
	Power good (UV) debounce time UV_DV = 11	25	40	55	
$V_{OV\_Tol}$	Overvoltage rising threshold accuracy With respect to target feedback voltage tolerance For type 2 switching regulator and LDO regulators For type 1 switching regulator when $V_{SWxFB} > 0.75\text{ V}$	-2	—	2	%
$V_{OV\_Tol}$	Overvoltage rising threshold With respect to target feedback voltage tolerance For type 1 switching regulator when $V_{SWxFB} \leq 0.75\text{ V}$	-3	—	3	%
$V_{xFBOVHysteresis}$	Overvoltage (OV) hysteresis Voltage difference between OV rising and falling thresholds	—	0.5	—	%
$t_{OV\_DB}$	Power good (OV) debounce time OV_DV = 00	20	30	40	$\mu\text{s}$
	Power good (OV) debounce time OV_DV = 01	35	50	65	
	Power good (OV) debounce time OV_DV = 10	55	80	105	
	Power good (OV) debounce time OV_DV = 11	90	135	160	

## 15.7 Clock management

The clock management provides a top-level management control scheme of internal clock and external synchronization intended to be primarily used for the switching regulators. The clock management incorporates various subblocks:

- Low power 100 kHz clock
- Internal high frequency clock with programmable frequency
- Phase Locked Loop (PLL)

A digital clock management interface is in charge of supporting interaction among these blocks.

The clock management provides clocking signals for the internal state machine, the switching frequencies for the buck converters as well as the multiples of those switching frequencies in order to enable phase shifting for multiple phase operation.

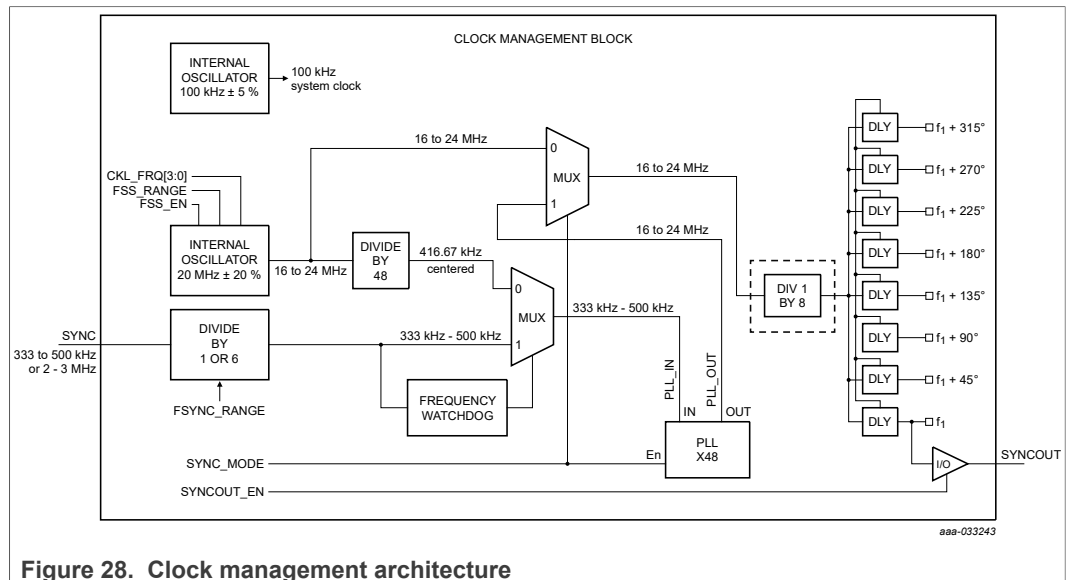


Figure 28. Clock management architecture

### 15.7.1 Low frequency clock

A low power 100 kHz clock is provided for overall logic and digital control. Internal logic and debounce timers are based on this 100 kHz clock.

### 15.7.2 High frequency clock

The PF5020 features a high frequency clock with nominal frequency of 20 MHz. Clock frequency is programmable over a range of  $\pm 20\%$  via the CLK\_FREQ[3:0] control bits.

### 15.7.3 Manual frequency tuning

The PF5020 features a manual frequency tuning to set the switching frequency of the high frequency clock. The CLK\_FREQ [3:0] bits allow a manual frequency tuning of the high frequency clock from 16 MHz to 24 MHz.

If a frequency change of two or more steps is requested by a single I<sup>2</sup>C command, the device performs a gradual frequency change passing through all steps in between with a 5.2  $\mu$ s time between each frequency step. When the frequency reaches the programmed value, The FREQ\_RDY\_I asserts the INTB pin, provided it is not masked.

When the internal clock is used as the main frequency for the power generation, an internal frequency divider by 8 is used to generate the switching frequency for all the buck regulators. Adjusting the frequency of the high frequency clock allows for manual tuning of the switching frequencies for the buck regulators from 2.0 MHz to 3.0 MHz.

**Table 63. Manual frequency tuning configuration**

CLK_FREQ[3:0]	High speed clock frequency (MHz)	Switching regulators frequency (MHz)
0000	20	2.500
0001	21	2.625
0010	22	2.750
0011	23	2.875
0100	24	3.000
0101	Not used	Not used
0110	Not used	Not used
0111	Not used	Not used
1000	Not used	Not used
1001	16	2.000
1010	17	2.125
1011	18	2.250
1100	19	2.375
1101	Not used	Not used
1110	Not used	Not used
1111	Not used	Not used

The default switching frequency is set by the OTP\_CLK\_FREQ[3:0] bits.

Manual tuning cannot be applied when frequency spread-spectrum or external clock synchronization is used. However, during external clock synchronization, it is recommended to program the CLK\_FREQ[3:0] bits to match the external frequency as close as possible.

### 15.7.4 Spread-spectrum

The internal clock provides a programmable frequency spread spectrum with two ranges for narrow spread and wide spread to help manage EMC in the automotive applications.

- When the FSS\_EN = 1, the frequency spread-spectrum is enabled.
- When the FSS\_EN = 0, the frequency spread-spectrum is disabled.

The default state of the FSS\_EN bit upon a power up can be configured via the OTP\_FSS\_EN bit.

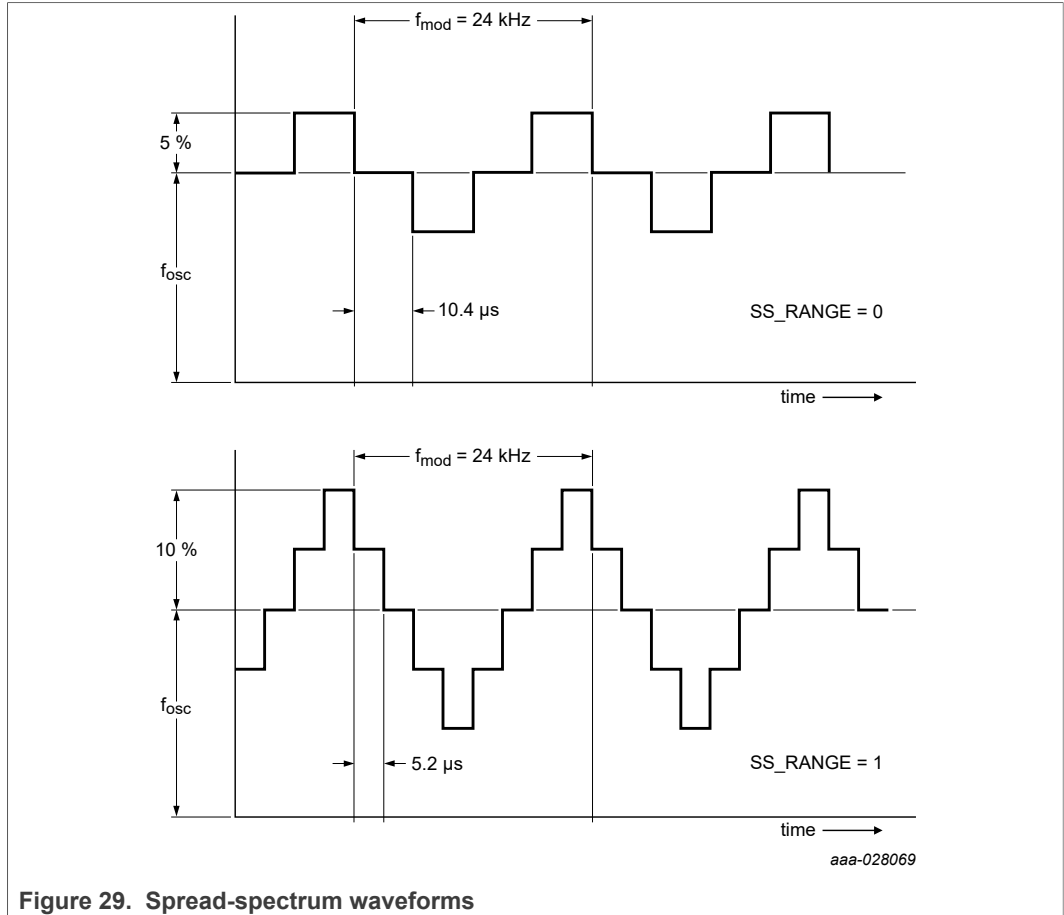
The FSS\_RANGE bit is provided to select the clock frequency range.

- When FSS\_RANGE = 0, the maximum clock frequency range is  $\pm 5\%$ .
- When FSS\_RANGE = 1, the maximum clock frequency range is  $\pm 10\%$ .

The default value of the FSS\_RANGE bit upon a power up can be configured via the OTP\_FSS\_RANGE bit.

The frequency spread-spectrum is performed at a 24 kHz modulation frequency when the internal high frequency clock is used to generate the switching frequency for the switching regulators. When the external clock synchronization is enabled, the spread-spectrum is disabled.

[Figure 29](#) shows implementation of spread-spectrum for two settings.



If the frequency spread-spectrum is enabled, the switching regulators should be set in PWM mode to ensure clock synchronization at all time.

If the external clock synchronization is enabled, (SYNC\_MODE = 1), the spread spectrum is disabled regardless of the value of the FSS\_EN bit.

### 15.7.5 Clock synchronization

An external clock can be fed via the SYNC pin to synchronize the switching regulators to this external clock.

When the OTP\_SYNC\_MODE = 0, the external clock synchronization is disabled. In this case, the PLL is disabled, and the device always uses the internal high frequency clock to generate the main frequency for the switching regulators.

When the OTP\_SYNC\_MODE = 1, the external clock synchronization is enabled. In this case, the internal PLL is always enabled and it uses either the internal high frequency clock or the SYNC pin as the source to generate the main frequency for the switching regulators.

If the SYNCIN function is not used, the pin should be grounded. If the external clock is meant to start up after the PMIC has started, the SYNC pin must be maintained low until the external clock is applied.

The SYNC pin is prepared to detect clock signals with a 1.8 V or 3.3 V amplitude and within the frequency range set by the FSYNC\_RANGE bit.



Power management integrated circuit (PMIC) for high performance applications

- When the FSYNC\_RANGE = 0, the input frequency range at SYNC pin should be between 2000 kHz and 3000 kHz.
- When the FSYNC\_RANGE = 1, the input frequency range at SYNC pin should be between 333 kHz and 500 kHz.

The OTP\_FSYNC\_RANGE bit is used to select the default frequency range accepted in the SYNC pin.

The external clock duty cycle at the SYNC pin should be between 40 % and 60 %. An input frequency in the SYNC pin outside the range defined by the FSYNC\_RANGE bit is detected as invalid. If the external clock is not present or invalid, the device automatically switches to the internal clock and sets the FSYNC\_FLT\_I interrupt, which in turn asserts the INTB pin provided it is not masked.

The FSYNC\_FLT\_S bit is set to 1 as long as the input frequency is not present or invalid, and it is cleared to 0 when the SYNC has a valid input frequency.

The device switches back to the external switching frequency only when both, the FSYNC\_FLT\_I interrupt has been cleared and the SYNC pin sees a valid frequency.

When the external clock is selected, the switching regulators should be set in PWM mode to ensure clock synchronization at all time.

Upon an external clock failure, the MCU must ensure the integrity of the external clock by implementing a three step diagnostic strategy.

1. MCU shall acknowledge and find the source of the interrupt event.
2. After deciding the interrupt is generated by the FSYNC\_FLT\_I event, the MCU must read the FSYNC\_FLT\_S bit to verify if the fault condition is persistent or not.
3. a. If FSYNC\_FLT\_S bit is 0, the fault condition can be considered as a transient condition and the system is ready to switch over to the external clock by clearing the FSYNC\_FLT\_I flag.
  - b. If the FSYNC\_FLT\_S bit is 1, the fault is considered a persistent fault and the MCU must take corrective action to send the system to safe operation.

It is responsibility of the system designer to define the tolerance time to allow the external frequency to be lost before taking a corrective action such as stopping the system or placing the system in safe state in safety related applications.

When the OTP\_SYNC\_MODE = 0 and OTP\_SYNCOUT\_EN = 1, the SYNC pin is used to synchronize an external device to the PF5020.

The SYNC pin outputs the main frequency used for the switching regulators in the range of 2.0 MHz to 3.0 MHz. The SYNCOUT\_EN bit can be used to enable or disable the SYNCOUT feature via I<sup>2</sup>C during the system On state.

- When SYNCOUT\_EN = 0, the SYNCOUT feature is disabled and the pin is internally pulled to ground.
- When SYNCOUT\_EN = 1, the SYNC pin toggles at the base frequency used by the switching regulators.

The SYNCOUT function can be enabled or disabled by default by using the OTP\_SYNCOUT\_EN bit.

**Table 64. Clock management specifications**

All parameters are specified at T<sub>A</sub> = -40 to 125 °C, unless otherwise noted. Typical values are characterized at V<sub>IN</sub> = 5.0 V and T<sub>A</sub> = 25 °C, unless otherwise noted.

Symbol	Parameter	Min	Typ	Max	Unit
<b>Low frequency clock</b>					

## Power management integrated circuit (PMIC) for high performance applications

**Table 64. Clock management specifications...continued**

All parameters are specified at  $T_A = -40$  to  $125$  °C, unless otherwise noted. Typical values are characterized at  $V_{IN} = 5.0$  V and  $T_A = 25$  °C, unless otherwise noted.

Symbol	Parameter	Min	Typ	Max	Unit
$I_{Q100KHz}$	100 kHz clock quiescent current	—	—	3.0	μA
$f_{100KHzACC}$	100 kHz clock accuracy	-5.0	—	5.0	%
<b>High frequency clock</b>					
$f_{20MHz}$	High frequency clock nominal frequency via CLK_FREQ[3:0] = 0000	—	20	—	MHz
$f_{20MzACC}$	High frequency clock accuracy	-6.0	—	6.0	%
$t_{20MHzStep}$	Clock step transition time Minimum time to transition from one frequency step to the next in manual tuning mode	—	5.2	—	μs
$FSS_{RANGE}$	Spread-spectrum range FSS_RANGE= 0 via CLK_FREQ[3:0] Spread-spectrum is done around center frequency of 20 MHz	—	±5.0	—	%
$FSS_{RANGE}$	Spread-spectrum range FSS_RANGE= 1 via CLK_FREQ[3:0] Spread-spectrum is done around center frequency of 20 MHz	—	±10	—	%
$FSS_{mod}$	Spread spectrum frequency modulation	—	24	—	kHz
<b>Clock synchronization</b>					
$f_{SYNCIN}$	SYNC input frequency range FSYNC_RANGE = 0	2000	—	3000	kHz
$f_{SYNCIN}$	SYNC input frequency range FSYNC_RANGE = 1	333	—	500	kHz
$f_{SYNCOUT}$	SYNC output frequency range via CLK_FREQ[3:0]	2000	—	3000	kHz
$V_{SYNCINLO}$	Input frequency low voltage threshold	—	—	0.3*VDDIO	V
$V_{SYNCINHI}$	Input frequency high voltage threshold	0.7*VDDIO	—	—	V
$R_{PD\_SYNCIN}$	SYNC internal pull down resistance	0.475	1.0	—	MΩ
$V_{SYNCOUTLO}$	Output frequency low voltage threshold	0	—	0.4	V
$V_{SYNCOUTH}$	Output frequency high voltage threshold	VDDIO - 0.5	—	—	V

## 15.8 Thermal monitoring

The PF5020 features a temperature sensor at the center of the die which is used to generate the thermal interrupts and thermal shutdown.

[Figure 30](#) shows a high level block diagram of the thermal monitoring architecture in PF5020.

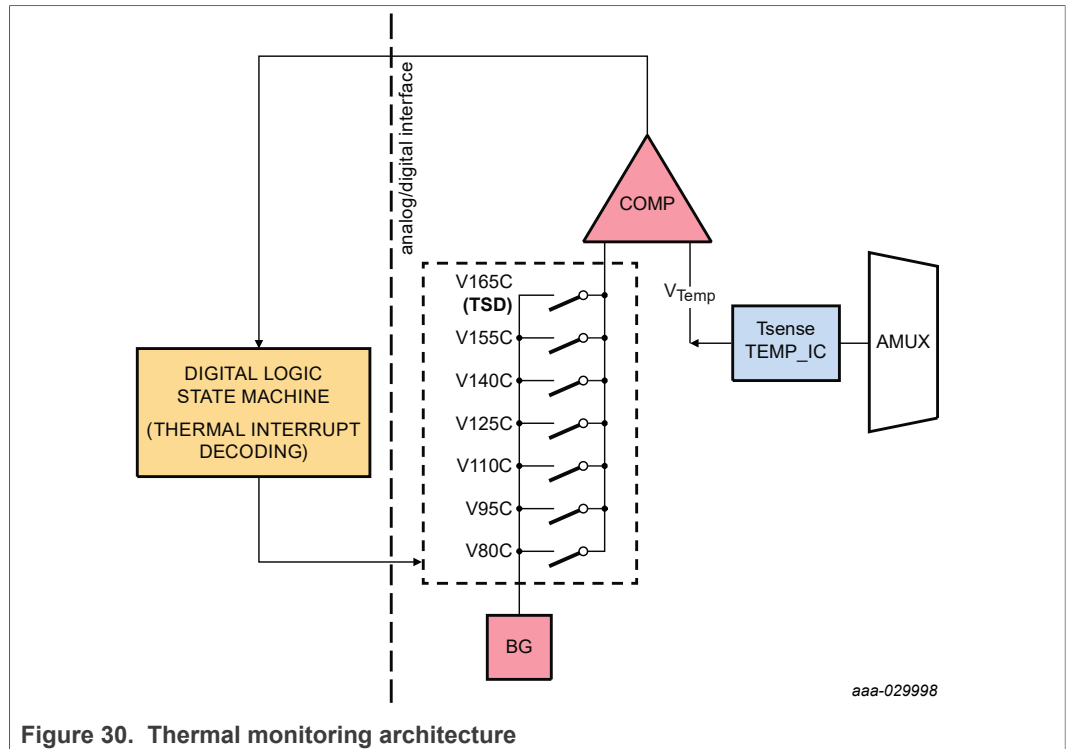


Figure 30. Thermal monitoring architecture

Table 65. Thermal monitor specifications

Symbol	Parameter	Min	Typ	Max	Unit
V <sub>IN</sub>	Operating voltage range of thermal circuit	UVDET	—	5.5	V
TCOF	Thermal sensor coefficient	—	-3.8	—	mV/°C
V <sub>TSROMM</sub>	Thermal sensor voltage 24 °C	—	1.414	—	V
T <sub>SEN_RANGE</sub>	Thermal sensor temperature range	-40	—	175	°C
T <sub>80C</sub>	80 °C temperature threshold	70	80	90	°C
T <sub>95C</sub>	95 °C temperature threshold	85	95	105	°C
T <sub>110C</sub>	110 °C temperature threshold	100	110	120	°C
T <sub>125C</sub>	125 °C temperature threshold	115	125	135	°C
T <sub>140C</sub>	140 °C temperature threshold	130	140	150	°C
T <sub>155C</sub>	155 °C temperature threshold	145	155	165	°C
T <sub>SD</sub>	Thermal shutdown threshold	155	165	175	°C
T <sub>WARN_HYS</sub>	Thermal threshold hysteresis	—	5.0	—	°C
T <sub>SD_HYS</sub>	Thermal shutdown hysteresis	—	10	—	°C
t <sub>temp_db</sub>	Debounce timer for temperature thresholds (bidirectional)	—	10	—	µs
t <sub>interval</sub>	Sampling interval time When TMP_MON_AON = 1	—	3.0	—	ms
t <sub>window</sub>	Sampling window When TMP_MON_AON = 1	—	450	—	µs

As the temperature crosses the thermal thresholds, the corresponding interrupts are set to notify the system. The processor may take appropriate action to bring down the temperature (either by turning off external regulators, reducing load, or turning on a fan).

A 5 °C hysteresis is implemented on a falling temperature in order to release the corresponding THERM\_x\_S signal. When the shutdown threshold is crossed, the

PF5020 initiates a thermal shutdown and it prevents from turning back on until the 15 °C thermal shutdown hysteresis is crossed as the device cools down.

The temperature monitor can be enabled or disabled via I<sup>2</sup>C with the TMP\_MON\_EN bit.

- When TMP\_MON\_EN = 0, the temperature monitor circuit is disabled.
- When TMP\_MON\_EN = 1, the temperature monitor circuit is enabled.

In the Run state, the temperature sensor can operate in always On or Sampling modes.

- When the TMP\_MON\_AON = 1, the device is always on during the Run mode.
- When the TMP\_MON\_AON = 0, the device operates in sampling mode to reduce current consumption in the system. In Sampling mode, the thermal monitor is turned on during 450 µs at a 3.0 ms sampling interval.

In the Standby mode, the thermal monitor operates only in sampling mode as long as the TMP\_MON\_EN = 1.

**Table 66. Thermal monitor bit description**

Bit(s)	Description
THERM_80_I, THERM_80_S, THERM_80_M	Interrupt, sense and mask bits for 80 °C threshold
THERM_95_I, THERM_95_S, THERM_95_M	Interrupt, sense and mask bits for 95 °C threshold
THERM_110_I, THERM_110_S, THERM_110_M	Interrupt, sense and mask bits for 110 °C threshold
THERM_125_I, THERM_125_S, THERM_125_M	Interrupt, sense and mask bits for 125 °C threshold
THERM_140_I, THERM_140_S, THERM_140_M	Interrupt, sense and mask bits for 140 °C threshold
THERM_155_I, THERM_155_S, THERM_155_M	Interrupt, sense and mask bits for 155 °C threshold
TMP_MON_EN	Disables temperature monitoring circuits when cleared
TMP_MON_AON	When set, the temperature monitoring circuit is always ON. When cleared, the temperature monitor operates in Sampling mode.

## 15.9 Analog multiplexer

An analog multiplexer (AMUX) is provided to allow access to internal temperature monitor. The selected voltage is buffered and made available on the PGOOD1 output pin.

When the AMUX\_EN bit is 0, the AMUX block is disabled and the PGOOD1 block is enabled.

When the AMUX\_EN bit is 1, the AMUX block is enabled and the PGOOD1 block is disabled. The system can select the channel to be read using the AMUX\_SEL bits. The AMUX output is selected by the AMUX\_SEL[4:0] bits.

**Table 67. AMUX channel selection**

AMUX_EN	AMUX_SEL[4:0]	AMUX selection
0	XXXXX	PGOOD mode
1	00000	Disabled - high impedance
1	00001 to 00110	Reserved
1	00111	TEMP_IC
1	01000 to 11111	Reserved

When the AMUX\_EN = 1, and the AMUX\_SEL = 00000, the AMUX output is set to a high impedance mode to allow an external signal to drive the AMUX node. The AMUX is enabled and accessible during the system On states.

### 15.10 Watchdog event management

A watchdog event may be started in two ways:

- The WDI pin toggles low due to a watchdog failure on the MCU
- The internal watchdog expiration counter reaches the maximum value the WD timer is allowed to expire

A watchdog event initiated by the WDI pin may perform a hard WD reset or a soft WD reset as defined by the WDI\_MODE bit. A watchdog event initiated by the internal watchdog always performs a hard WD reset.

#### 15.10.1 Internal watchdog timer

The internal WD timer counts up and it expires when it reaches the value in the WD\_DURATION[3:0] register. When the WD timer starts counting, the WD\_CLEAR flag is set to 1. Clearing the WD\_CLEAR flag within the valid window is interpreted as a successful watchdog refresh and the WD timer gets reset. The MCU must write a 1 to clear the WD\_CLEAR flag.

The WD timer is reset when device goes into any of the Off modes and does not start counting until RESETBMCU is deasserted in the next power up sequence.

The OTP\_WD\_DURATION[3:0] selects the initial configuration for the watchdog window duration between 1.0 ms and 32768 ms (typical values).

The watchdog window duration can change during the system On state by modifying the WD\_DURATION[3:0] bits in the functional register map. If the WD\_DURATION[3:0] bits get changed during the system On state, the WD timer is reset.

Table 68. Watchdog duration register

WD_DURATION[3:0]	Watchdog timer duration (ms)
0000	1
0001	2
0010	4
0011	8
0100	16
0101	32
0110	64
0111	128
1000	256
1001	512
1010	1024
1011	2048
1100	4096
1101	8192
1110	16384

Table 68. Watchdog duration register...continued

WD_DURATION[3:0]	Watchdog timer duration (ms)
1111	32768

The WD\_EXPIRE\_CNT[2:0] counter is used to ensure no cyclic watchdog condition occurs. When the WD\_CLEAR flag is cleared successfully before the WD timer expires, the WD\_EXPIRE\_CNT[2:0] is decreased by 1. Every time the WD timer is not successfully refreshed, it gets reset and starts a new count and the WD\_EXPIRE\_CNT[2:0] is increased by 2.

If WD\_EXPIRE\_CNT[2:0] = WD\_MAX\_EXPIRE[2:0], a WD event is initiated. The default maximum amount of time the watchdog can expire before starting a WD reset, is set by the OTP\_WD\_MAX\_EXPIRE[2:0]. Writing a value less than or equal to 0x02 on the OTP\_WD\_MAX\_EXPIRE causes the watchdog event to be initiated, as soon as the WD timer expires for the first time.

The OTP\_WDWINDOW bit selects whether the watchdog is single ended or window mode.

- When OTP\_WDWINDOW = 0, the WD\_CLEAR flag can be cleared within 100 % of the watchdog timer.
- When OTP\_WDWINDOW = 1, the WD\_CLEAR flag can only be cleared within the second half of the programmed watchdog timer. Clearing the WD\_CLEAR flag within the first half of the watchdog window is interpreted as a failure to refresh the watchdog.

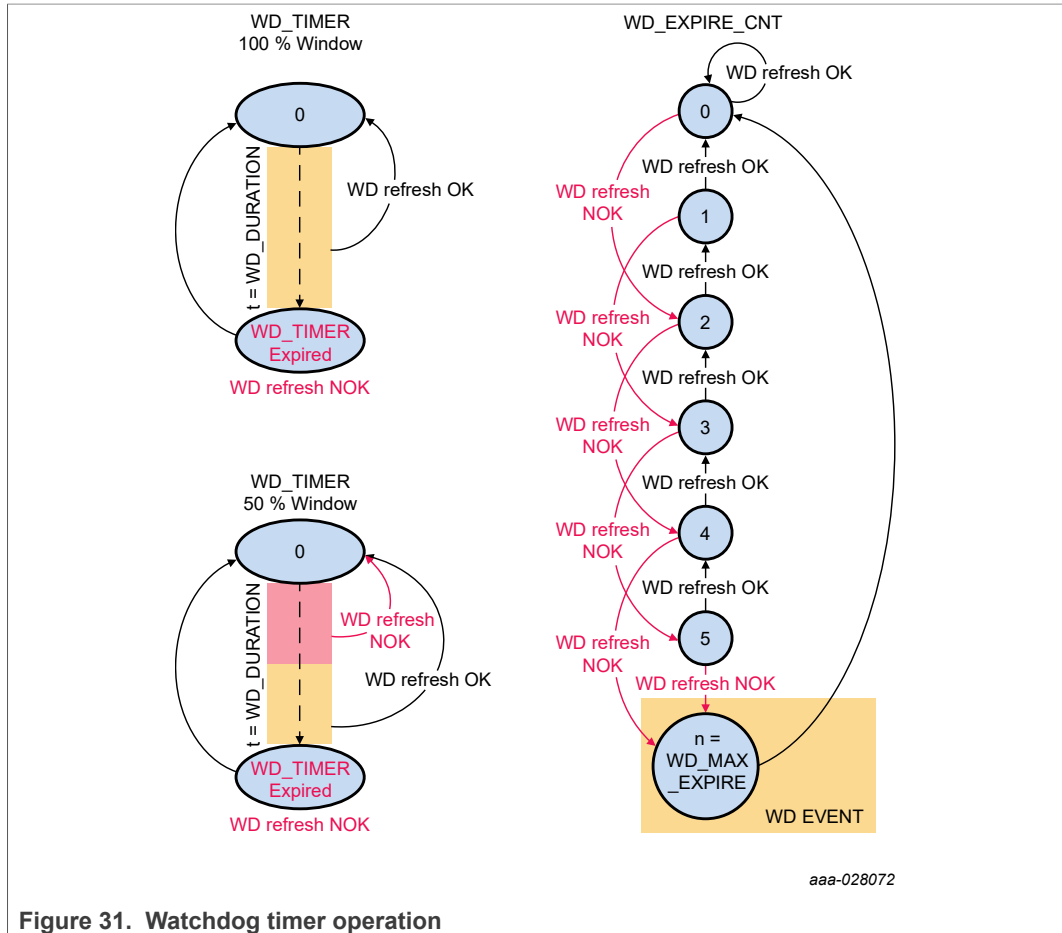


Figure 31. Watchdog timer operation

The watchdog function can be enabled or disabled by writing the WD\_EN bit in the I<sup>2</sup>C register map. When the I2C\_SECURE\_EN = 1, a secure write must be performed to change the WD\_EN bit.

- When WD\_EN = 0 the internal watchdog timer operation is disabled.
- When WD\_EN = 1 the internal watchdog timer operation is enabled.

The OTP\_WD\_EN bit is used to select the default status of the watchdog counter upon power up.

The watchdog function can be programmed to be enabled or disabled during the Standby state by writing the WD\_STBY\_EN bit in the I<sup>2</sup>C register map. When the I2C\_SECURE\_EN = 1, a secure write must be performed to modify the WD\_STBY\_EN bit.

- When WD\_STBY\_EN = 0 the internal watchdog timer operation during standby is disabled.
- When WD\_STBY\_EN = 1 the internal watchdog timer operation during standby is enabled.

The OTP\_WD\_STBY\_EN bit selects whether the watchdog is active in Standby mode by default or not.

### 15.10.2 Watchdog reset behaviors

When a watchdog event is started, a watchdog (WD) reset is performed. There are two types of watchdog reset:

- Soft WD reset
- Hard WD reset

A soft WD reset is used as a safe way for the MCU to force the PMIC to return to a known default configuration without forcing a POR reset on the MCU. During a soft WD reset, the RESETBMCU remains de-asserted all the time.

Upon a soft WD reset, a partial OTP register reload is performed on the registers as shown in [Table 69](#).

**Table 69. Soft WD register reset**

Bit name	Register	Bits
<b>Configuration registers</b>		
STANDBYINV	CTRL2	2
RUN_PG_GPO	CTRL2	1
STBY_PG_GPO	CRTL2	0
RESETBMCU_SEQ[7:0]	RESETBMCU PWRUP	7:0
PGOOD_SEQ[7:0]	PGOOD PWRUP	7:0
WD_EN	CTRL1	3
WD_DURATION[3:0]	WD CONFIG	3:0
WD_STBY_EN	CTRL1	2
WDI_STBY_ACTIVE	CTRL1	1
<b>SW registers</b>		
SWx_WDBYPASS	SWx CONFIG1	1
SWx_PG_EN	SWx CONFIG1	0

Table 69. Soft WD register reset...continued

Bit name	Register	Bits
SWxDVS_RAMP	SWx CONFIG2	5
SWxILIM[1:0]	SWx CONFIG2	4:3
SWxPHASE[2:0]	SWx CONFIG2	2:0
SWx_SEQ[7:0]	SWx PWRUP	7:0
SWx_PDGRP[1:0]	SWx MODE	5:4
SWx_STBY_MODE [1:0]	SWx MODE	3:2
SWx_RUN_MODE [1:0]	SWx MODE	1:0
VSWx_RUN [7:0]	SWx RUN VOLT	7:0
VSWx_STBY [7:0]	SWx STBY VOLT	7:0
VSWND1 [4:0]	SWND1 VOLT	4:0
SW2_VTTEN	SW2_CONFIG2	6
<b>LDO registers</b>		
LDO1_WDBYPASS	LDO1 CONFIG1	1
LDO1_PG_EN	LDO1 CONFIG1	0
LDO1_PDGRP[1:0]	LDO1 CONFIG2	6:5
LDO1LS	LDO1 CONFIG2	2
LDO1_RUN_EN	LDO1 CONFIG2	1
LDO1_STBY_EN	LDO1 CONFIG2	0
LDO1_SEQ [7:0]	LDO1 PWRUP	7:0
VLDO1_RUN[3:0]	LDO1 RUN VOLT	3:0
VLDO1_STBY[3:0]	LDO1 STBY VOLT	3:0

A soft WD reset may require all or some regulators to be reset to their default OTP configuration. In the event a regulator is required to keep its current configuration during a soft WD reset, a watchdog bypass bit is provided for each regulator (SWx\_WDBYPASS / LDOx\_WDBYPASS).

- When the WDBYPASS = 0, the watchdog bypass is disabled and the output of the corresponding regulator is returned to its default OTP value during the soft WD reset.
- When the WDBYPASS = 1, the watchdog bypass is enabled and the output of the corresponding regulator is not affected by the soft WD reset, keeping its current configuration.

During a soft WD reset, only regulators that are activated in the power up sequence go back to their default voltage configuration if their corresponding WDBYPASS = 0.

Switching regulators returning to their default voltages configuration, will gradually reach the new output voltage using its DVS configuration. LDO regulator returning to their default configuration, will change to the default output voltage configuration instantaneously. Regulators with WDBYPASS = 0 and which are not activated during the power up sequence will turn off immediately.

After all output voltages have transitioned to their corresponding default values, the device waits for at least 30  $\mu$ s before returning to the Run state and announces it has finalized the soft WD reset by asserting the INTB pin, provided the WDI\_I interrupt is not masked.



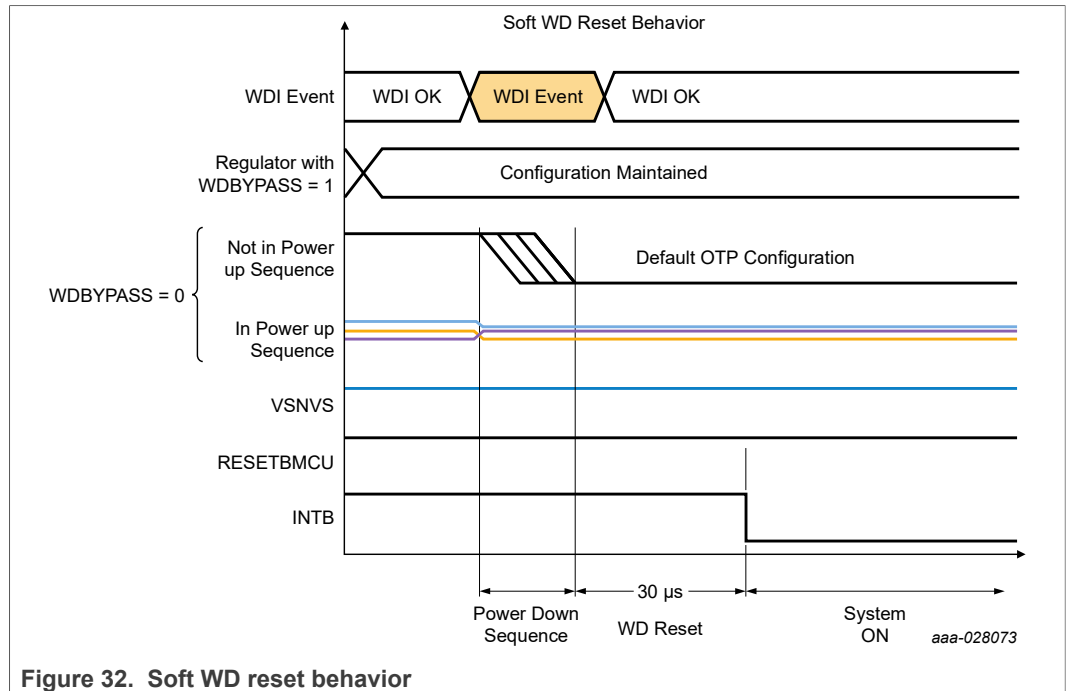


Figure 32. Soft WD reset behavior

A hard WD reset is used to force a system power-on reset when the MCU has become unresponsive. In this scenario, a full OTP register reset is performed.

During a hard WD reset, the device turns off all regulators and asserts RESETBMCU as indicated by the power down sequence. If PGOOD is programmed as a GPO and configured as part of the power up sequence, it will also be disabled accordingly.

After all regulator's outputs have gone through the power down sequence and the power down delay is finished, the device waits for 30 µs before reloading the default OTP configuration and get ready to start a power up sequence if the XFAILB pin is not held low externally.

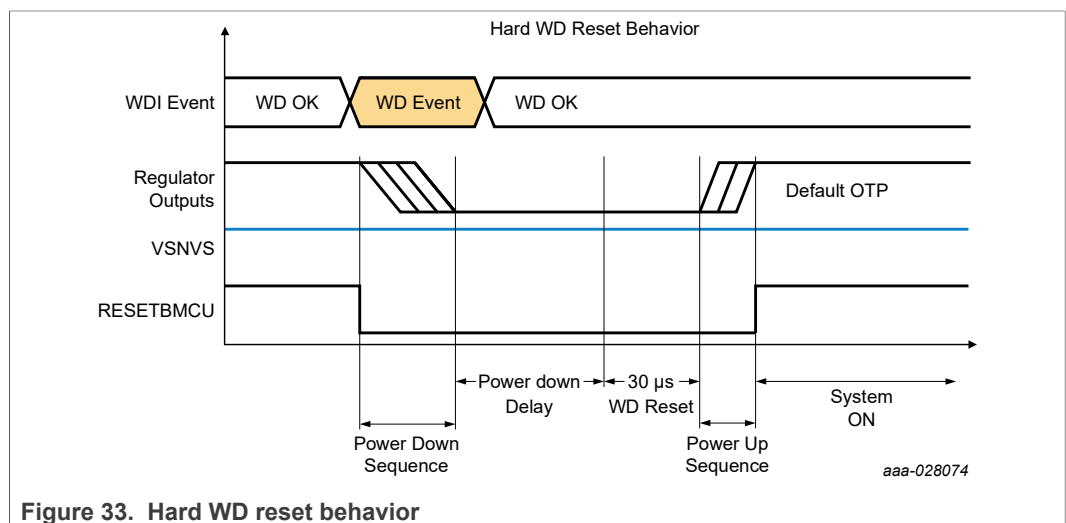


Figure 33. Hard WD reset behavior

After a WD reset, the PMIC may enter the Standby state depending on the status of STANDBY pin.

Every time a WD event occurs, the WD\_EVENT\_CNT[3:0] nibble is incremented. To prevent continuous failures, if the WD\_EVENT\_CNT[3:0] = WD\_MAX\_CNT[3:0] the state machine will proceed to the fail-safe transition. The MCU is expected to clear the WD\_EVENT\_CNT[3:0] when it is able to do so in order to keep proper operation. Upon power up, the WD\_MAX\_CNT[3:0] is loaded with the values on the OTP\_WD\_MAX\_CNT[3:0] bits.

Every time the device passes through the off states, the WD\_EVENT\_CNT[3:0] is reset to 0x00, to ensure the counter has a fresh start after a device power down.

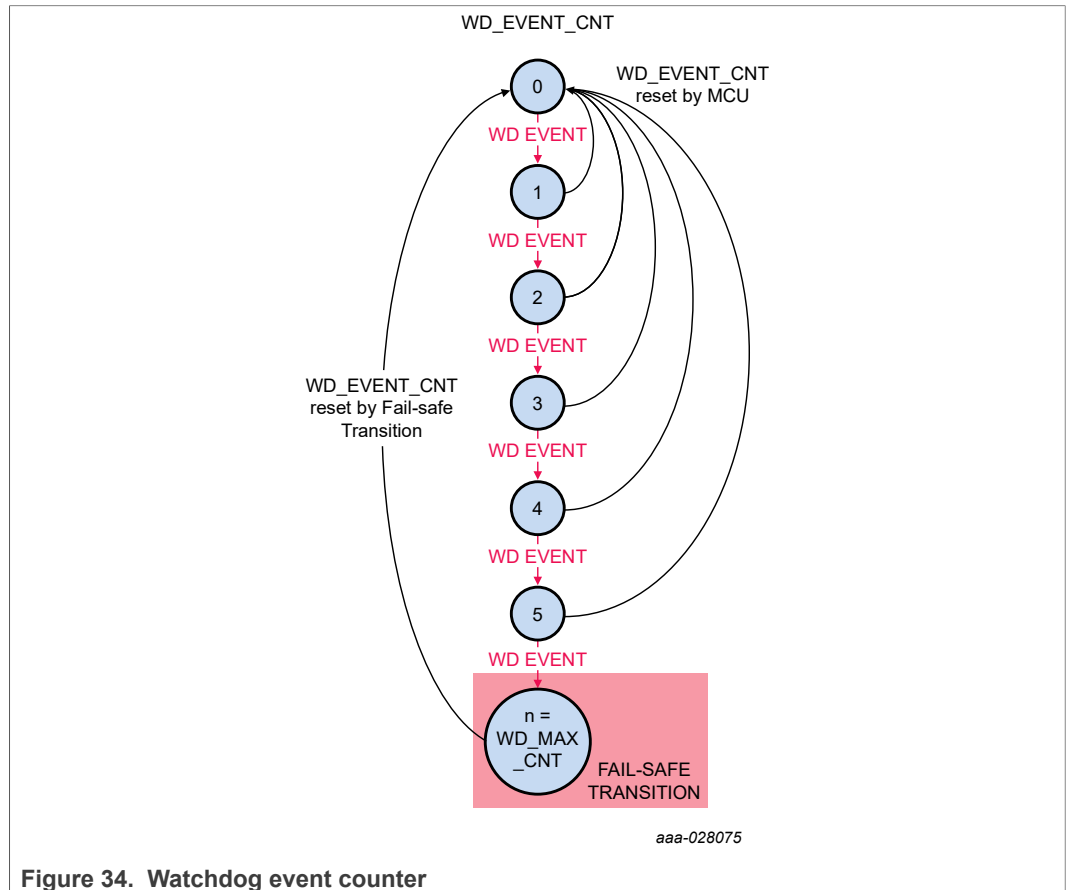


Figure 34. Watchdog event counter

## 16 I<sup>2</sup>C register map

The PF5020 provides a complete set of registers for control and diagnostics of the PMIC operation. The configuration of the device is done at two different levels.

At first level, the OTP mirror registers provide the default hardware and software configuration for the PMIC upon power up. These are one-time programmable and should be defined during the system development phase, and are not meant to be modified during the application. See [Section 17 "OTP/TBB and hardware default configurations"](#) for the OTP configuration feature.

At a second level, the PF5020 provides a set of functional registers intended for system configuration and diagnostics during the system operation. These registers are accessible during the system On state and can be modified at any time by the system control unit.

Power management integrated circuit (PMIC) for high performance applications

The device ID register provides general information about the PMIC:

- DEVICE\_FAM[3:0]: indicates the PF50x0 family of devices.  
0101 (fixed)
- DEVICE\_ID[3:0]: provides the device type identifier  
0000 = PF5020 QM  
1000 = PF5020 ASIL B

Registers 0x02 and 0x03 provide a customizable program ID registers to identify the specific OTP configuration programmed in the part.

- EMREV (Address 0x02): contains the MSB bits PROG\_ID[8:11]
- PROG\_ID (Address 0x03): contains the LSB bit PROG\_ID[7:0]

16.1 PF5020 OTP mirror register map

Reset types	
OFF_OTP	Register loads the OTP mirror register values during power up
OTP	Register available in OTP bank only, Reset From fuses when VIN crosses UVDET threshold
VSNVS	Reset when BOS has no valid input (VIN < UVDET → VSNVS not present)

MR ADDR	FUSE ADDR	Register name	BIT7	BIT6	BIT5	BIT4	BIT3	BIT2	BIT1	BIT0
A0	0	OTP I2C	—	—	—	OTP_I2C_SECURE_EN	OTP_I2C_CRC_EN	OTP_I2C_ADD[2:0]		
A1	1	OTP CTRL1	—	—	OTP_EWARN_TIME[1:0]		OTP_FS_BYPASS	OTP_STANDBYINV	OTP_PG_ACTIVE	OTP_PG_CHECK
A2	2	OTP CTRL2	OTP_FSS_EN	OTP_FSS_RANGE	—	OTP_XFAILB_EN	OTP_VIN_OVLO_SDWN	OTP_VIN_OVLO_EN	OTP_VIN_OVLO_DBNC[1:0]	
A3	3	OTP CTRL3	OTP_VTT_PDOWN	OTP_SW2_VTTEN	—	—	Reserved		OTP_SW1CONFIG[1:0]	
A4	4	OTP FREQ CTRL	OTP_SW_MODE	OTP_SYNC_MODE	OTP_SYNCOU_EN	OTP_FSYNC_RANGE	OTP_CLK_FREQ[3:0]			
A5	5	OTP PWRON	—	—	OTP_PWRON_MODE	OTP_PWRON_DBNC[1:0]		OTP_PWRON_RST_EN	OTP_TRESET[1:0]	
A6	6	OTP WD CONFIG	—	—	OTP_WDI_MODE	OTP_WDI_INV	OTP_WD_EN	OTP_WD_STBY_EN	OTP_WDI_STBY_ACTIVE	OTP_WDWINDOW
A7	7	OTP WD EXPIRE	—	—	—	—	—	OTP_WD_MAX_EXPIRE[2:0]		
A8	8	OTP WD COUNTER	OTP_WD_DURATION[3:0]				OTP_WD_MAX_CNT [3:0]			
A9	9	OTP FAULT COUNTERS	OTP_FS_MAX_CNT[3:0]				OTP_FAULT_MAX_CNT[3:0]			
AA	A	OTP FAULT TIMERS	—	OTP_FS_OK_TIMER[2:0]			OTP_TIMER_FAULT[3:0]			
AB	B	OTP PWRDN DLY1	OTP_GRP4_DLY[1:0]		OTP_GRP3_DLY[1:0]		OTP_GRP2_DLY[1:0]		OTP_GRP1_DLY[1:0]	
AC	C	OTP PWRDN DLY2	OTP_PD_SEQ_DLY[1:0]		—	—	—	—	OTP_RESETBMCU_DLY[1:0]	
AD	D	OTP PWRUP CTRL	—	OTP_PWRDWN_MODE	OTP_PGOOD_PDGRP[1:0]		OTP_RESETBMCU_PDGRP[1:0]		OTP_SEQ_TBASE[1:0]	
AE	E	OTP RESETBMCU PWRUP	OTP_RESETBMCU_SEQ[7:0]							
AF	F	OTP PGOOD PWRUP	OTP_PGOOD_SEQ[7:0]							
B0	10	OTP SW1 VOLT	OTP_VSW1[7:0]							
B1	11	OTP SW1 PWRUP	OTP_SW1_SEQ[7:0]							
B2	12	OTP SW1 CONFIG1	OTP_SW1UV_TH[1:0]		OTP_SW1OV_TH[1:0]		OTP_SW1_PDGRP[1:0]		OTP_SW1LIM[1:0]	
B3	13	OTP SW1 CONFIG2	OTP_SW1_LSELECT[1:0]		OTP_SW1PHASE[2:0]			—	OTP_SW1_PG_EN	OTP_SW1_WDBYPASS
B4	14	OTP SW2 VOLT	OTP_VSW2[7:0]							
B5	15	OTP SW2 PWRUP	OTP_SW2_SEQ[7:0]							

Power management integrated circuit (PMIC) for high performance applications

MR ADDR	FUSE ADDR	Register name	BIT7	BIT6	BIT5	BIT4	BIT3	BIT2	BIT1	BIT0
B6	16	OTP SW2 CONFIG1	OTP_SW2UV_TH[1:0]		OTP_SW2OV_TH[1:0]		OTP_SW2_PDGRP[1:0]		OTP_SW2ILIM[1:0]	
B7	17	OTP SW2 CONFIG2	OTP_SW2_LSELECT[1:0]		OTP_SW2PHASE[2:0]			—	OTP_SW2_PG_EN	OTP_SW2_WDBYPASS
C0	20	OTP SWND1_VOLT	—	—	—	OTP_VSWND1[4:0]				
C1	21	OTP SWND1 PWRUP	OTP_SWND1_SEQ[7:0]							
C2	22	OTP SWND1 CONFIG1	OTP_SWND1UV_TH[1:0]		OTP_SWND1OV_TH[1:0]		OTP_SWND1_PDGRP[1:0]		OTP_SWND1ILIM[1:0]	
C3	23	OTP SWND1 CONFIG2	OTP_SWND1_LSELECT[1:0]		OTP_SWND1PHASE[2:0]			—	OTP_SWND1_PG_EN	OTP_SWND1_WDBYPASS
C4	24	OTP LDO1 VOLT	OTP_LDO1UV_TH[1:0]		OTP_LDO1OV_TH[1:0]		OTP_VLDO1[3:0]			
C5	25	OTP LDO1 PWRUP	OTP_LDO1_SEQ[7:0]							
C6	26	OTP LDO1 CONFIG	OTP_LDO1_PDGRP[1:0]		—	—	—	OTP_LDO1_PG_EN	OTP_LDO1_WDBYPASS	OTP_LDO1LS
C7	27	OTP VSNVS CONFIG	—	—	—	—	—	—	OTP_VSNVSVOLT [1:0]	
C8	28	OTP_OV_BYPASS1	—	OTP_SWND1_OVBYPASS	—	—	Reserved	Reserved	OTP_SW2_OVBYPASS	OTP_SW1_OVBYPASS
C9	29	OTP_OV_BYPASS2	—	—	—	—	—	—	—	OTP_LDO1_OVBYPASS
CA	2A	OTP_UV_BYPASS1	—	OTP_SWND1_UVBYPASS	—	—	Reserved	Reserved	SW2_UVBYPASS	OTP_SW1_UVBYPASS
CB	2B	OTP_UV_BYPASS2	—	—	—	—	—	—	—	OTP_LDO1_UVBYPASS
CC	2C	OTP_ILIM_BYPASS1	—	OTP_SWND1_ILIMBYPASS	—	—	Reserved	Reserved	OTP_SW2_ILIMBYPASS	OTP_SW1_ILIMBYPASS
CD	2D	OTP_ILIM_BYPASS2	—	—	—	—	—	—	—	OTP_LDO1_ILIMBYPASS
CE	2E	OTP_PROG_IDH	—	—	—	—	OTP_PROG_ID11	OTP_PROG_ID10	OTP_PROG_ID9	OTP_PROG_ID8
CF	2F	OTP_PROG_IDL	OTP_PROG_ID7	OTP_PROG_ID6	OTP_PROG_ID5	OTP_PROG_ID4	OTP_PROG_ID3	OTP_PROG_ID2	OTP_PROG_ID1	OTP_PROG_ID0
D0	30	OTP DEBUG1	—	—	—	—	—	—	—	BGMON_BYPASS
D1	31	OTP SW COMP1	—	—	OTP_SW2_GM_COMP[2:0]			OTP_SW1_GM_COMP[2:0]		
D3	33	OTP SW COMP3	OTP_SWND1_GM	OTP_SWND1_RC	—	—	—	—	—	—
D4	34	OTP SW RAMP	Reserved		Reserved		OTP_SW2DVS_RAMP[1:0]		OTP_SW1DVS_RAMP[1:0]	
D5	35	OTP_SO_CRC_LSB	OTP_SO_CRC_LSB[7:0]							
D6	36	OTP_SO_CRC_MSB	OTP_SO_CRC_MSB[7:0]							

16.2 PF5020 functional register map

RESET signals		R/W types		Default values	
UVDET	Reset when VIN crosses UVDET threshold	R	Read only	1	bit set on reset
OFF_OTP	Bits are loaded with OTP values (mirror register)	R/W	Read and Write	0	bit cleared on reset
OFF_TOGGLE	Reset when device goes to OFF mode	RW1C	Read, Write a 1 to clear	x	unknown state
SC	Self-clear after write	R/SW	Read/Secure Write	F	loaded from OTP fuse
NO_VSNVS	Reset when BOS has no valid input (VIN < UVDET → VSNVS not present)	R/TW	Read/Write on TBB	T	Trimmable

ADDR	Register name	R/W	Default	BIT7	BIT6	BIT5	BIT4	BIT3	BIT2	BIT1	BIT0
00	DEVICE ID	R	0101_TTTT	DEVICE_FAM[3:0]			DEVICE_ID[3:0]				
01	REV ID	R	TTTT_TTTT	FULL_LAYER_REV[3:0]			METAL_LAYER_REV[3:0]				
02	EMREV	R	FFFF_TTTT	PROG_ID[11:8]				—	EMREV[2:0]		
03	PROG ID	R	FFFF_FFFF	PROG_ID[7:0]							
04	INT STATUS1	RW1C	0000_0000	SDWN_I	FREQ_RDY_I	CRC_I	PWRUP_I	PWRDN_I	—	PGOOD_I	VIN_OVLO_I
05	INT MASK1	R/W	1111_1011	SDWN_M	FREQ_RDY_M	CRC_M	PWRUP_M	PWRDN_M	—	PGOOD_M	VIN_OVLO_M
06	INT SENSE1	R	0000_00xx	—	—	—	—	—	—	PGOOD_S	VIN_OVLO_S
07	INT STATUS2	RW1C	0000_0000	WDI_I	FSYNC_FLT_I	THERM_155_I	THERM_140_I	THERM_125_I	THERM_110_I	THERM_95_I	THERM_80_I
08	INT MASK2	R/W	1111_1111	WDI_M	FSYNC_FLT_M	THERM_155_M	THERM_140_M	THERM_125_M	THERM_110_M	THERM_95_M	THERM_80_M
09	INT SENSE2	R	xxxx_xxxx	WDI_S	FSYNC_FLT_S	THERM_155_S	THERM_140_S	THERM_125_S	THERM_110_S	THERM_95_S	THERM_80_S
0A	SW MODE INT	RW1C	0000_0000	—	SWND1_MODE_I	—	—	Reserved	Reserved	SW2_MODE_I	SW1_MODE_I
0B	SW MODE MASK	R/W	0100_1111	—	SWND1_MODE_M	—	—	Reserved	Reserved	SW2_MODE_M	SW1_MODE_M
0C	SW ILIM INT	RW1C	0000_0000	—	SWND1_ILIM_I	—	—	Reserved	Reserved	SW2_ILIM_I	SW1_ILIM_I
0D	SW ILIM MASK	R/W	0100_1111	—	SWND1_ILIM_M	—	—	Reserved	Reserved	SW2_ILIM_M	SW1_ILIM_M
0E	SW ILIM SENSE	R	0x00_00xx	—	SWND1_ILIM_S	—	—	Reserved	Reserved	SW2_ILIM_S	SW1_ILIM_S
0F	LDO ILIM INT	RW1C	0000_0000	—	—	—	—	—	—	—	LDO1_ILIM_I
10	LDO ILIM MASK	R/W	0000_0001	—	—	—	—	—	—	—	LDO1_ILIM_M
11	LDO ILIM SENSE	R	0000_000x	—	—	—	—	—	—	—	LDO1_ILIM_S
12	SW UV INT	RW1C	0000_0000	—	SWND1_UV_I	—	—	Reserved	Reserved	SW2_UV_I	SW1_UV_I
13	SW UV MASK	R/W	0100_1111	—	SWND1_UV_M	—	—	Reserved	Reserved	SW2_UV_M	SW1_UV_M
14	SW UV SENSE	R	0x00_00xx	—	SWND1_UV_S	—	—	Reserved	Reserved	SW2_UV_S	SW1_UV_S
15	SW OV INT	RW1C	0000_0000	—	SWND1_OV_I	—	—	Reserved	Reserved	SW2_OV_I	SW1_OV_I
16	SW OV MASK	R/W	0100_1111	—	SWND1_OV_M	—	—	Reserved	Reserved	SW2_OV_M	SW1_OV_M
17	SW OV SENSE	R	0x00_00xx	—	SWND1_OV_S	—	—	Reserved	Reserved	SW2_OV_S	SW1_OV_S
18	LDO UV INT	RW1C	0000_0000	—	—	—	—	—	—	—	LDO1_UV_I
19	LDO UV MASK	R/W	0000_0001	—	—	—	—	—	—	—	LDO1_UV_M
1A	LDO UV SENSE	R	0000_000x	—	—	—	—	—	—	—	LDO1_UV_S
1B	LDO OV INT	RW1C	0000_0000	—	—	—	—	—	—	—	LDO1_OV_I
1C	LDO OV MASK	R/W	0000_0001	—	—	—	—	—	—	—	LDO1_OV_M
1D	LDO OV SENSE	R	0000_000x	—	—	—	—	—	—	—	LDO1_OV_S
1E	PWRON INT	RW1C	0000_0000	BGMON_I	PWRON_8S_I	PWRON_4S_I	PRON_3S_I	PWRON_2S_I	PWRON_1S_I	PWRON_REL_I	PWRON_PUSH_I
1F	PWRON MASK	R/W	1111_1111	BGMON_M	PWRON_8S_M	PWRON_4S_M	PRON_3S_M	PWRON_2S_M	PWRON_1S_M	PWRON_REL_M	PWRON_PUSH_M
20	PWRON SENSE	R	0x00_000x	BGMON_S	—	—	—	—	—	—	PWRON_S
21	EN SENSE	R	0000_xxxx	—	—	—	—	EN4_S	EN3_S	EN2_S	EN1_S
22	SYS INT	R	0000_0000	EWARN_I	PWRON_I	OV_I	UV_I	ILIM_I	MODE_I	STATUS2_I	STATUS1_I
23	HARDFULT FLAGS	RW1C	0000_0000	—	—	—	—	PU_FAIL	WD_FAIL	REG_FAIL	TSD_FAIL
24											
25	ABIST PGOOD MON	R/SW	0000_0000	—	—	—	—	—	—	—	AB_PGOOD_MON
26	ABIST OV1	R/SW	0000_0000	—	AB_SWND1_OV	—	—	Reserved	Reserved	AB_SW2_OV	AB_SW1_OV
27	ABIST OV2	R/SW	0000_0000	—	—	—	—	—	—	—	AB_LDO1_OV

Power management integrated circuit (PMIC) for high performance applications

ADD#	Register name	R/W	Default	BIT7	BIT6	BIT5	BIT4	BIT3	BIT2	BIT1	BIT0
28	ABIST UV1	R/SW	0000_0000	—	AB_SWND1_OV	—	—	Reserved	Reserved	AB_SW2_UV	AB_SW1_UV
29	ABIST UV2	R/SW	0000_0000	—	—	—	—	—	—	—	AB_LDO1_UV
2A	TEST FLAGS	R/TW	0000_0000	—	—	—	—	—	STEST_NOK	TRIM_NOK	OTP_NOK
2B	ABIST RUN	R/SW	0000_0000	—	—	—	—	—	—	—	AB_RUN
2C											
2D	RANDOM GEN	R	xxxx_xxxx	RANDOM_GEN[7:0]							
2E	RANDOM CHK	R/W	0000_0000	RANDOM_CHK[7:0]							
2F	VMONEN1	R/SW	0100_1111	—	SWND1VMON_EN	—	—	Reserved	Reserved	SW2VMON_EN	SW1VMON_EN
30	VMONEN2	R/SW	0000_0001	—	—	—	—	—	—	—	LDO1VMON_EN
31	CTRL1	R/SW	FFF1_FFFF	VIN_OVLO_EN	VIN_OVLO_SDWN	WDL_MODE	TMP_MON_EN	WD_EN	WD_STBY_EN	WDL_STBY_ACTIVE	I2C_SECURE_EN
32	CTRL2	R/W	FF01_0FFF	VIN_OVLO_DBNC[1:0]		—	TMP_MON_AON	LPM_OFF	STANDBYINV	RUN_PG_GPO	STBY_PG_GPO
33	CTRL3	R/W	0010_0000	OV_DB[1:0]		UV_DB[1:0]		—	—	PMIC_OFF	INTB_TEST
34	PWRUP CTRL	R/W	0FFF_FFFF	—	PWRDWN_MODE	PGOOD_PDGRP[1:0]		RESETBMCU_PDGRP[1:0]		SEQ_TBASE[1:0]	
35											
36	RESETBMCU PWRUP	R/W	FFFF_FFFF	RESETBMCU_SEQ[7:0]							
37	PGOOD PWRUP	R/W	FFFF_FFFF	PGOOD_SEQ[7:0]							
38	PWRDN DLY1	R/W	FFFF_FFFF	GRP4_DLY[1:0]		GRP3_DLY[1:0]		GRP2_DLY[1:0]		GRP1_DLY[1:0]	
39	PWRDN DLY2	R/W	0000_00FF	—	—	—	—	—	—	RESETBMCU_DLY[1:0]	
3A	FREQ CTRL	R/W	FFFF_FFFF	SYNCOU_EN	FSYNC_RANGE	FSS_EN	FSS_RANGE	CLK_FREQ[3:0]			
3B											
3C	PWRON	R/W	000F_FFFF	—	—	—	PWRON_DBNC[1:0]		PWRON_RST_EN	TRESET[1:0]	
3D	WD CONFIG	R/W	0000_FFFF	—	—	—	—	WD_DURATION[3:0]			
3E	WD CLEAR	R/W1C	0000_0000	—	—	—	—	—	—	—	WD_CLEAR
3F	WD EXPIRE	R/W	0FFF_0000	—	WD_MAX_EXPIRE[2:0]			—	WD_EXPIRE_CNT[2:0]		
40	WD COUNTER	R/W	FFFF_0000	WD_MAX_CNT[3:0]				WD_EVENT_CNT[3:0]			
41	FAULT COUNTER	R/W	FFFF_0000	FAULT_MAX_CNT[3:0]				FAULT_CNT[3:0]			
42	FSAFE COUNTER	R/W	0000_0000	—	—	—	—	FS_CNT[3:0]			
43	FAULT TIMERS	R/W	0000_FFFF	—	—	—	—	TIMER_FAULT[3:0]			
44	AMUX	R/W	0000_0000	—	—	AMUX_EN	AMUX_SEL[4:0]				
45											
46	SW RAMP	R/W	FFFF_FFFF	Reserved		Reserved		SW2DVS_RAMP [2:0]		SW1DVS_RAMP [2:0]	
47	SW1 CONFIG1	R/W	FFF1_11FF	SW1_UV_BYPASS	SW1_OV_BYPASS	SW1_ILIM_BYPASS	SW1_UV_STATE	SW1_OV_STATE	SW1_ILIM_STATE	SW1_WDBYPASS	SW1_PG_EN
48	SW1 CONFIG2	R/W	10FF_FFFF	SW1_FLT_REN	—	—	SW1ILIM[1:0]		SW1PHASE[2:0]		
49	SW1 PWRUP	R/W	FFFF_FFFF	SW1_SEQ[7:0]							
4A	SW1 MODE	R/W	00FF_FFFF	—	—	SW1_PDGRP[1:0]		SW1_STBY_MODE[1:0]		SW1_RUN_MODE[1:0]	
4B	SW1 RUN VOLT	R/W	FFFF_FFFF	VSW1_RUN[7:0]							
4C	SW1 STBY VOLT	R/W	FFFF_FFFF	VSW1_STBY[7:0]							
4D											
4E											
4F	SW2 CONFIG1	R/W	FFF1_11FF	SW2_UV_BYPASS	SW2_OV_BYPASS	SW2_ILIM_BYPASS	SW2_UV_STATE	SW2_OV_STATE	SW2_ILIM_STATE	SW2_WDBYPASS	SW2_PG_EN
50	SW2 CONFIG2	R/W	1FFF_FFFF	SW2_FLT_REN	SW2_VTTEN	—	SW2ILIM[1:0]		SW2PHASE[2:0]		
51	SW2 PWRUP	R/W	FFFF_FFFF	SW2_SEQ[7:0]							
52	SW2 MODE1	R/W	00FF_FFFF	—	—	SW2_PDGRP[1:0]		SW2_STBY_MODE[1:0]		SW2_RUN_MODE[1:0]	
53	SW2 RUN VOLT	R/W	FFFF_FFFF	VSW2_RUN[7:0]							
54	SW2 STBY VOLT	R/W	FFFF_FFFF	VSW2_STBY[7:0]							
55											
56											
5D											
5E											
65											
66											
67	SWND1 CONFIG1	R/W	FFF1_11FF	SWND1_UV_BYPASS	SWND1_OV_BYPASS	SWND1_ILIM_BYPASS	SWND1_UV_STATE	SWND1_OV_STATE	SWND1_ILIM_STATE	SWND1_WDBYPASS	SWND1_PG_EN

## Power management integrated circuit (PMIC) for high performance applications

ADDf	Register name	R/W	Default	BIT7	BIT6	BIT5	BIT4	BIT3	BIT2	BIT1	BIT0
68	SWND1 CONFIG2	R/W	100F_FFFF	SWND1_FLT_REN	—	—	SWND1_ILIM[1:0]		SWND1PHASE[2:0]		
69	SWND1 PWRUP	R/W	FFFF_FFFF	SWND1_SEQ[7:0]							
6A	SWND1 MODE1	R/W	00FF_FFFF	—	—	SWND1_PDGRP[1:0]		SWND1_STBY_MODE[1:0]		SWND1_RUN_MODE[1:0]	
6B	SWND1 RUN VOLT	R/W	000F_FFFF	—	—	—	VSWND1[4:0]				
6C											
6D											
6E	LDO1 CONFIG1	R/W	FFF1_11FF	LDO1_UV_BYPASS	LDO1_OV_BYPASS	LDO1_ILIM_BYPASS	LDO1_UV_STATE	LDO1_OV_STATE	LDO1_ILIM_STATE	DO1_WDBYPASS	LDO1_PG_EN
6F	LDO1 CONFIG2	R/W	1FF0_00FF	LDO1_FLT_REN	LDO1_PDGRP[1:0]		—	—	—	LDO1_RUN_EN	LDO1_STBY_EN
70	LDO1 PWRUP	R/W	FFFF_FFFF	LDO1_SEQ[7:0]							
71	LDO1 RUN VOLT	R/W	0000_FFFF	—	—	—	—	VLDO1_RUN[3:0]			
72	LDO1 STBY VOLT	R/W	0000_FFFF	—	—	—	—	VLDO1_STBY[3:0]			
73											
74											
75	VSNVS CONFIG1	R/W	0000_00FF	—	—	—	—	—	—	VSNVSVOLT [1:0]	
76											
77	PAGE SELECT	R/TW	0000_0000	—	—	—	—	—	PAGE[2:0]		

## 17 OTP/TBB and hardwire default configurations

The PF5020 supports OTP fuse bank configuration and a predefined hardwire configuration to select the default power up configuration via the VDDOTP pin.

The default power up configuration is loaded into the functional I<sup>2</sup>C registers based on the voltage on VDDOTP pin on register loading.

- If VDDOTP = GND, the device loads the configuration from the OTP mirror registers.
- If VDDOTP = V1P5D, the device loads the configuration from the default hardwire configuration.

When OTP configuration is selected, the register loading occurs in two stages:

- In the first stage, the fuses are loaded in the OTP mirror registers each time VIN crosses the UVDET threshold in the rising edge.
- At the second stage, the data from the mirror registers are loaded into the functional I<sup>2</sup>C registers for device operation.

When VDDOTP = GND, the mirror registers hold the default configuration to be used on a power-on event. The mirror registers can be modified during the TBB mode in order to test a custom power up configuration and/or burn the configuration into the OTP fuses to generate a customized default power up configuration.

When VDDOTP = V1P5D, the I<sup>2</sup>C functional register will always be loaded from the hardwire configuration each time a default loading is required. Therefore, no TBB operation is possible in this configuration.

In the event of a TRIM/OTP loading failure or a self-test failure, the corresponding fault flag is set and any PWRUP event is ignored until the flags are cleared by writing a 1 during the QPU\_OFF state.

The TRIM\_NOK, OTP\_NOK and STEST\_NOK flags can only be written when the TBBEN = V1P5D (in TBB mode). In normal operation, the TRIM\_NOK, OTP\_NOK and STEST\_NOK flags can only be read, but not cleared.

## 17.1 TBB (Try Before Buy) operation

The PF5020 allows temporary configuration (TBB) to debug or test a customized power up configuration in the system. In order to access the TBB mode, the TBBEN pin should be pulled up to V1P5D.

In this mode of operation, the device ignores the default value of the LPM\_OFF bit and moves into the QPU\_Off state, regardless of the result of the self-test. However, the actual result of the self-test is notified by the STEST\_NOK flag.

- When the self-test is successful the STEST\_NOK flag is set to 0.
- When the self-test has failed, the STEST\_NOK flag is set to 1.

In the TBB mode, the following conditions are valid:

- I<sup>2</sup>C communication uses standard communication with no CRC and secure write disabled.
- Default I<sup>2</sup>C address is 0x08 regardless of the address configured by OTP.
- Watchdog monitoring is disabled (including WDI and internal watchdog timer).
- The PF5020 can communicate through I<sup>2</sup>C as long as V<sub>DDIO</sub> is provided to the PMIC externally.

The PAGE[2:0] bits are provided to grant access to the mirror registers and other OTP dedicated bits. When the device is in the TBB mode, it can access the mirror registers in the extended register Page 1. With the TBBEN pin pulled low, access to the extended register pages is not allowed.

The mirror registers are preloaded with the values from the OTP configuration. These may be modified to set the proper power up configuration during TBB operation.

If a power up event is present with the TBBEN pin pulled to V1P5D, the device will power up with the proper configuration but limited functionality.

Limited functionality includes:

- Default I<sup>2</sup>C address = 0x08
- CRC and secure write disabled
- Watchdog operation/monitoring disable

In order to allow TBB operation with full functionality, the TBBEN pin must be low when the power up event occurs.

The PF5020 can operate normally using the TBB configuration, as long as VIN does not go below the UVDET threshold. If VIN is lost (VIN < UVDET) the mirror register will be reset and TBB configuration must be performed again.



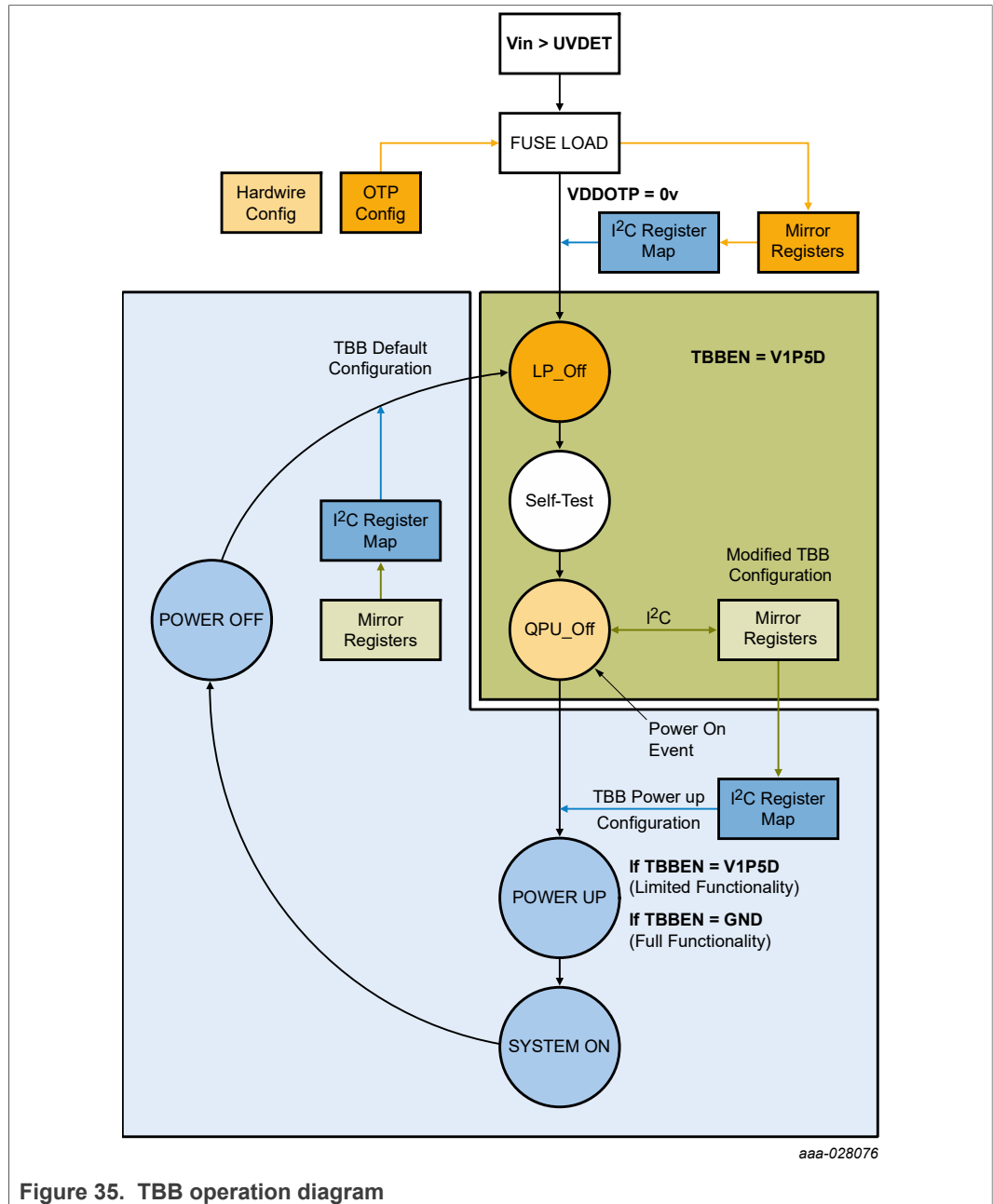


Figure 35. TBB operation diagram

## 17.2 OTP fuse programming

A permanent OTP configuration is possible by burning the OTP fuses. OTP fuse burning is performed in the TBBEN mode during the QPU\_Off state. Contact your NXP representative for detailed information on OTP fuse programming.

## 17.3 Default hardwire configuration

If VDDOTP = V1P5D, the device loads the configuration from the default hardwire configuration directly into the corresponding I<sup>2</sup>C functional registers each time the registers need to be reloaded.

When using the hardwire configuration, the TRIM values are still loaded from the OTP fuses. In the event of a TRIM loading failure, the corresponding fault flag is set to 1.

When the hardwire configuration is used, the PF5020 does not allow TBB mode operation. When TBBEN = V1P5D, the device enters a debug mode. In this mode of operation, the device ignores the default value of the LPM\_OFF bit and moves into the QPU\_Off state, regardless of the result of the self-test. However, the actual result of the self-test is notified by the STEST\_NOK flag.

- When the self-test is successful, the STEST\_NOK flag is set to 0
- When the self-test has failed, the STEST\_NOK flag is set to 1

During hardwire configuration, the OTP\_NOK flag is always set to 0.

When any of the TRIM\_NOK, OTP\_NOK or STEST\_NOK flags are set, any PWRUP event is ignored until the flags are cleared by writing a 0. These flags can only be written when the system is in the debug mode, (TBBEN = V1P5D). In normal operation, the TRIM\_NOK, OTP\_NOK and STEST\_NOK flags are read only.

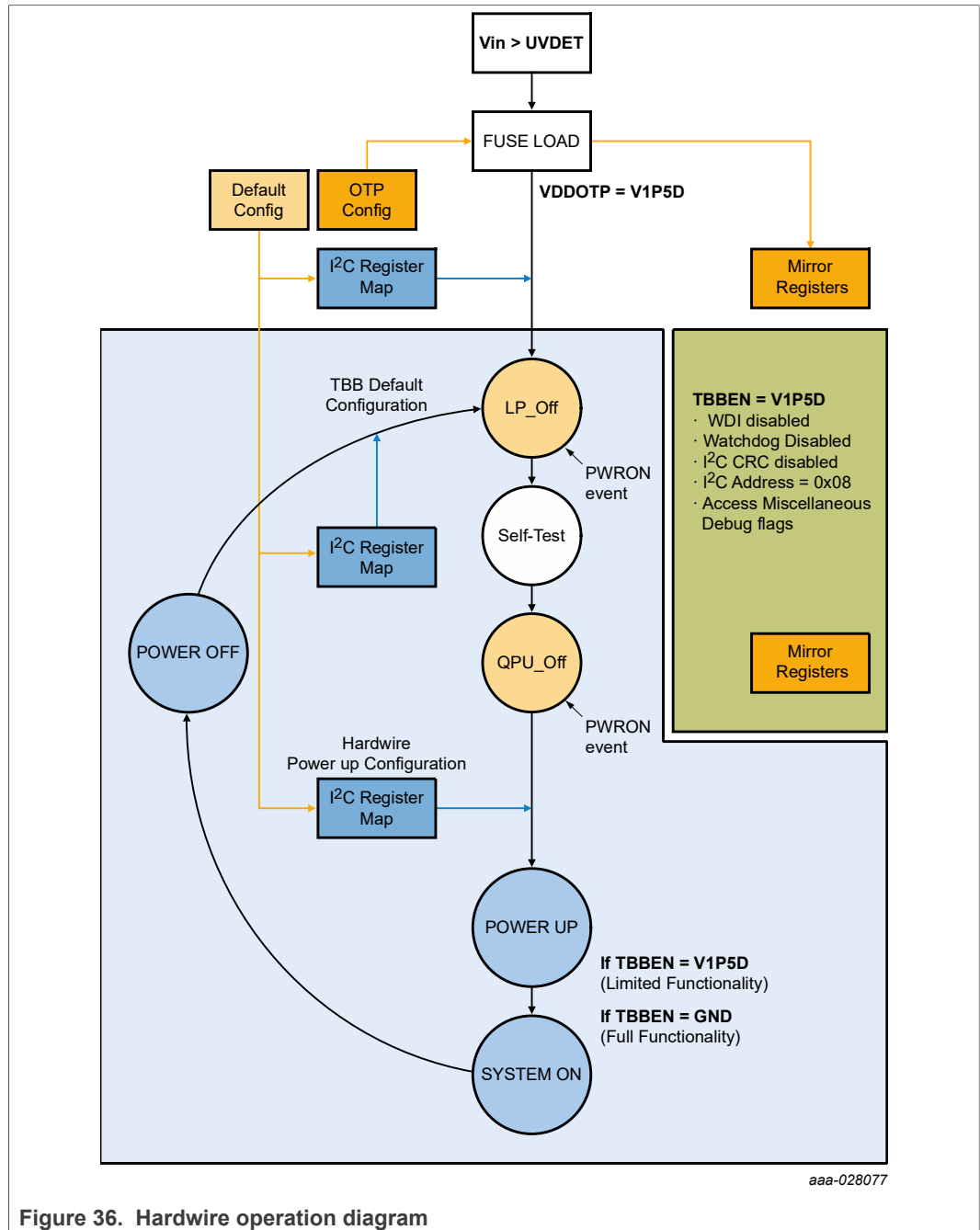


Figure 36. Hardware operation diagram

For simplicity, the default hardware configuration in PF5020 is organized based on the OTP register map as shown in [Table 70](#).

Table 70. Default hardware configuration

ADDR	Register name	BIT7	BIT6	BIT5	BIT4	BIT3	BIT2	BIT1	BIT0	Configuration
A0	OTP I2C	0	0	0	0	0	0	0	0	Secured I2C disabled   I2C CRC disabled   I2C address = 0x08
A1	OTP CTRL1	0	0	0	0	0	0	1	0	EWARN_TIME = 100 μs   Fail-safe state enabled   STANDBY active high   PGOOD indicator   RESETBMCU is not influenced by power-up
A2	OTP CTRL2	0	0	0	0	0	1	0	1	XFAIL = disabled   VIN_OVLO shutdown disabled   VIN_OVLO enabled   VIN_OVLO debounce = 100 μs

## Power management integrated circuit (PMIC) for high performance applications

Table 70. Default hardware configuration...continued

ADDR	Register name	BIT7	BIT6	BIT5	BIT4	BIT3	BIT2	BIT1	BIT0	Configuration
A3	OTP CTRL3	0	0	0	0	0	0	0	1	VTT pull down enabled   Dual phase: SW1/SW2
A4	OTP FREQ CTRL	0	0	0	0	0	0	0	0	SYNCIN = disabled   SYNCOUT disabled   SYNCIN range = 2 MHz to 3 MHz   CLK frequency = 2.5 MHz
A5	OTP PWRON	0	0	0	0	0	0	0	0	PWRON = Level sensitive
A6	OTP WD CONFIG	0	0	0	1	0	0	0	0	WDI generates soft WD reset   WDI detect on rising edge   WD timer disabled   WD timer in standby disabled   WDI detect in standby disabled   WD Windows = 100 %
A7	OTP WD EXPIRE	0	0	0	0	0	1	1	1	Max WD expire count = 8
A8	OTP WD COUNTER	1	0	1	0	1	1	1	1	WD duration = 1024 ms   Max WD count = 16
A9	OTP FAULT COUNTERS	1	1	1	1	1	1	1	1	Fail-safe MAX counter = 16   Regulator fault Max Counter = 16
AA	OTP FAULT TIMERS	0	0	0	0	1	1	1	1	Fail-safe OK timer = 1 minute   Regulator fault timer = disabled
AB	OTP PWRDN DLY1	0	0	0	0	0	0	0	0	GRP4 delay = 125 $\mu$ s   GRP 3 delay = 125 $\mu$ s   GRP 2 delay = 125 $\mu$ s   GRP 1 delay = 125 $\mu$ s
AC	OTP PWRDN DLY2	0	0	0	0	0	0	0	1	Power Down Delay = 0   RESETBMCU delay = 10 $\mu$ s
AD	OTP PWRUP CTRL	0	0	0	0	0	0	1	0	PD mirror sequence   RESETBMCU PD Group2   TBASE = 250 $\mu$ s
AE	OTP RESETBMCU PWRUP	0	0	0	0	0	1	1	1	RESETBMCU SEQ = Slot 6 (TBASE x 6 = 1500 $\mu$ s)
AF	OTP PGOOD PWRUP	0	0	0	0	0	0	0	0	PGOOD SEQ = OFF
B0	OTP SW1 VOLT	0	1	1	0	0	0	0	0	Voltage = 1.0 V
B1	OTP SW1 PWRUP	0	0	0	0	0	0	0	1	SEQ = Slot 0
B2	OTP SW1 CONFIG1	0	1	0	1	0	0	1	1	UV mon = 7 %   OV mon = 7 %   SW PD Group4   ILIM min 3.1 A
B3	OTP SW1 CONFIG2	0	0	1	1	1	1	1	0	L = 1 $\mu$ H   Phase = 0°   DVS Ramp = 12.5 mV/ $\mu$ s   PG = EN   WDBYPASS = disable
B4	OTP SW2 VOLT	0	1	1	0	0	0	0	0	Voltage = 1.0 V
B5	OTP SW2 PWRUP	0	0	0	0	0	0	0	1	SEQ = Slot 0
B6	OTP SW2 CONFIG1	0	1	0	1	0	0	1	1	UV mon = 7 %   OV mon = 7 %   SW PD Group4   ILIM min 3.1 A
B7	OTP SW2 CONFIG2	0	0	0	1	1	1	1	0	L = 1 $\mu$ H   Phase = 180°   DVS Ramp = 12.5 mV/ $\mu$ s   PG = EN   WDBYPASS = disabled
C0	OTP SWND1 VOLT	0	0	0	1	0	1	0	1	Voltage = 3.3 V
C1	OTP SWND1 PWRUP	0	0	0	0	0	0	1	1	SEQ = Slot 2 (TBASE x 2 = 500 $\mu$ s)
C2	OTP SWND1 CONFIG1	0	1	0	1	0	0	1	1	UV mon = 7 %   OV mon = 7 %   SW PD Group4   ILIM min 3.1 A
C3	OTP SWND1 CONFIG2	0	0	1	1	1	0	1	0	L = 1 $\mu$ H   Phase = 0°   PG = EN   WDBYPASS = disable
C4	OTP LDO1 VOLT	0	1	0	1	0	0	1	0	Voltage = 1.8 V
C5	OTP LDO1 PWRUP	0	0	0	0	0	0	0	1	SEQ = Slot 0
C6	OTP LDO1 CONFIG	0	0	0	0	0	1	0	0	LDO PD Group 4   PG = EN   WDBYPASS = Disable   LDO mode
C7	OTP VSNVS CONFIG	0	0	0	0	0	0	1	0	Voltage = 3.0 V
C8	OTP_OV_BYPASS1	0	0	0	0	0	0	0	0	SWND1 and SWx OVBYPASS disabled
C9	OTP_OV_BYPASS2	0	0	0	0	0	0	0	0	LDO1 OVBYPASS disabled
CA	OTP_UV_BYPASS1	0	0	0	0	0	0	0	0	SWND1 and SWx UVBYPASS disabled
CB	OTP_UV_BYPASS2	0	0	0	0	0	0	0	0	LDO1 UVBYPASS disabled

Table 70. Default hardware configuration...continued

ADDR	Register name	BIT7	BIT6	BIT5	BIT4	BIT3	BIT2	BIT1	BIT0	Configuration
CC	OTP_ILIM_BYPASS1	1	1	1	1	1	1	1	1	SWND1 and SWx ILIMBYPASS enabled
CD	OTP_ILIM_BYPASS2	0	0	0	0	1	1	1	1	LDO1 ILIMBYPASS enabled
CE	OTP_PROG_IDH	0	0	0	0	1	1	1	1	Default Program ID high Nibble = 0x0F
CF	OTP_PROF_IDL	1	1	1	1	1	1	1	1	Default Program ID low Byte = 0xFF
D0	OTP_DEBUG1	0	0	0	0	0	0	0	0	BG monitor disabled
D1	OTP_SW_COMP1	0	0	0	0	0	0	0	0	SW2 = 65GM   SW1 = 65GM
D3	OTP_SW_COMP3	0	0	0	0	0	0	0	0	SWND1 GM = 65, SWND1 RC = XX
D4	SW_RAMP	0	0	0	0	0	0	0	0	SWxDVS_RAMP = 00

## 18 Functional safety

### 18.1 System safety strategy

The PF5020 is defined in a context of safety and shall provide a set of features to achieve the safety goals on such context. It provides a flexible yet complete safety architecture to comply with ASIL B systems providing full programmability to enable or disable features to address the safety goal. This architecture includes protective mechanisms to avoid unwanted modification on the respective safety features, as required by the system.

The following are features considered to be critical for the functional safety strategy:

- Internal watchdog timer
- External watchdog monitoring input (WDI)
- Output voltage monitoring with dedicated bandgap reference
- Protected I<sup>2</sup>C protocol with CRC verification
- Input overvoltage protection
- Analog built-in self-test (ABIST)

### 18.2 Output voltage monitoring with dedicated bandgap reference

For the type 2 buck regulator and LDOs, the OV/UV monitors operate from a dedicated bandgap reference for voltage monitoring.

For the type 1 buck regulators, the OV/UV monitor operate from the same reference as the regulator. To ensure the integrity of the type 1 buck regulators, a comparison between the regulator bandgap and the monitoring bandgap is performed. A 5 % to 12 % difference between the two bandgaps is an indicator of a potential regulation or monitoring fault and is considered as a critical issue. Therefore, the device prevents the switching regulators from powering up.

On the PF5020 ASIL B device, if a bandgap error is detected during a power up event, the self-test will fail and prevent the device from powering up regardless of the value of the OTP\_BGMON\_BYPASS bit.

During system On state, if a drift between two bandgaps is detected:

- When OTP\_BGMON\_BYPASS = 0, the power stage of the voltage regulators will be shutdown.

- When `OTP_BGMON_BYPASS = 1`, The bandgap monitor only sends an interrupt to the system to announce the bandgap failure.

The `BGMON_I` is asserted when a bandgap failure occurs, provided it is not masked.

The `BGMON_S` bit is set to 0 when the bandgaps are within range, and set to 1 when the bandgaps are out of range.

### 18.3 ABIST verification

The PF5020 ASIL B implements an ABIST verification of all output voltage monitors as well as `PGOOD` pin. The ABIST verification on the output voltage monitoring behaves as follows:

- Device tests the OV comparators for each individual `SWx` and `LDOx` supply during the self-test routine
- Device tests the UV comparators for each individual `SWx` and `LDOx` supply during the self-test routine
- During the ABIST verification, it is required to ensure the corresponding OV/UV comparators are able to toggle, which in turn is a sign of the integrity of these functions
- If any of the comparators is not able to toggle, a warning bit is set on the I<sup>2</sup>C register map.
  - The `ABIST_OV1` register contain the `AB_SWx_OV` bits for all external regulators.
  - The `ABIST_OV2` register contain the `AB_LDOx_OV` bits for all external regulators.
  - The `ABIST_UV1` register contain the `AB_SWx_UV` bits for all external regulators.
  - The `ABIST_UV2` register contain the `AB_LDOx_UV` bits for all external regulators.
- The ABIST registers are cleared or overwritten each time the ABIST check is performed.
- The ABIST registers are part of the secure registers and will require an I<sup>2</sup>C secure write to be cleared if this feature is enabled.

Once ABIST check is performed, the PF5020 can proceed with the power up sequence and the MCU should be able to request the value of these registers and learn if ABIST failed for any of the voltage monitors.

The `AB_RUN` bit is provided to perform an ABIST verification on demand.

When the `AB_RUN` bit is set to 1, the control logic perform an ABIST verification on all OV/UV monitoring circuits. When the ABIST verification is finished, the `AB_RUN` bit self-clear to 0 and a new ABIST verification can be commanded as needed.

When the secure write feature is enabled, the system must perform a secure write sequence in order to start an ABIST verification on demand.

When the PF5020 performs an ABIST verification on demand, the OV/UV fault monitoring is blanked for a maximum period of 200  $\mu$ s. During this time, the system must ensure it is in a safe state, or it is safe to perform this action without violating the safety goals of the system.

If a failure on the OV/UV monitor is detected during the ABIST on demand request, the PMIC will assert the corresponding ABIST flags. It is responsibility of the system to perform a diagnostic check after each ABIST verification to ensure it places the system in safe state if an ABIST fault is detected.

## 19 IC level quiescent current requirements

**Table 71. Quiescent current requirements**

All parameters are specified at  $T_A = -40$  to  $125$  °C, unless otherwise noted. Typical values are characterized at  $V_{IN} = 5.0$  V and  $T_A = 25$  °C, unless otherwise noted.

Symbol	Parameter	Min	Typ	Max	Unit
$I_{LPOFF}$	LP_Off state LPM_OFF = 0 VIN > UVDET VSNVS = ON	—	40	150	μA
$I_{QPUOFF}$	QPU_Off LPM_OFF = 1 System ready to power on	—	750	1000	μA
$I_{SYSON}$	System On core current Run or standby and all regulators disabled	—	750	1000	μA
$I_{FSAFE}$	Fail-safe mode VIN > UVDET VSNVS = ON	—	40	150	μA





21 Package outline

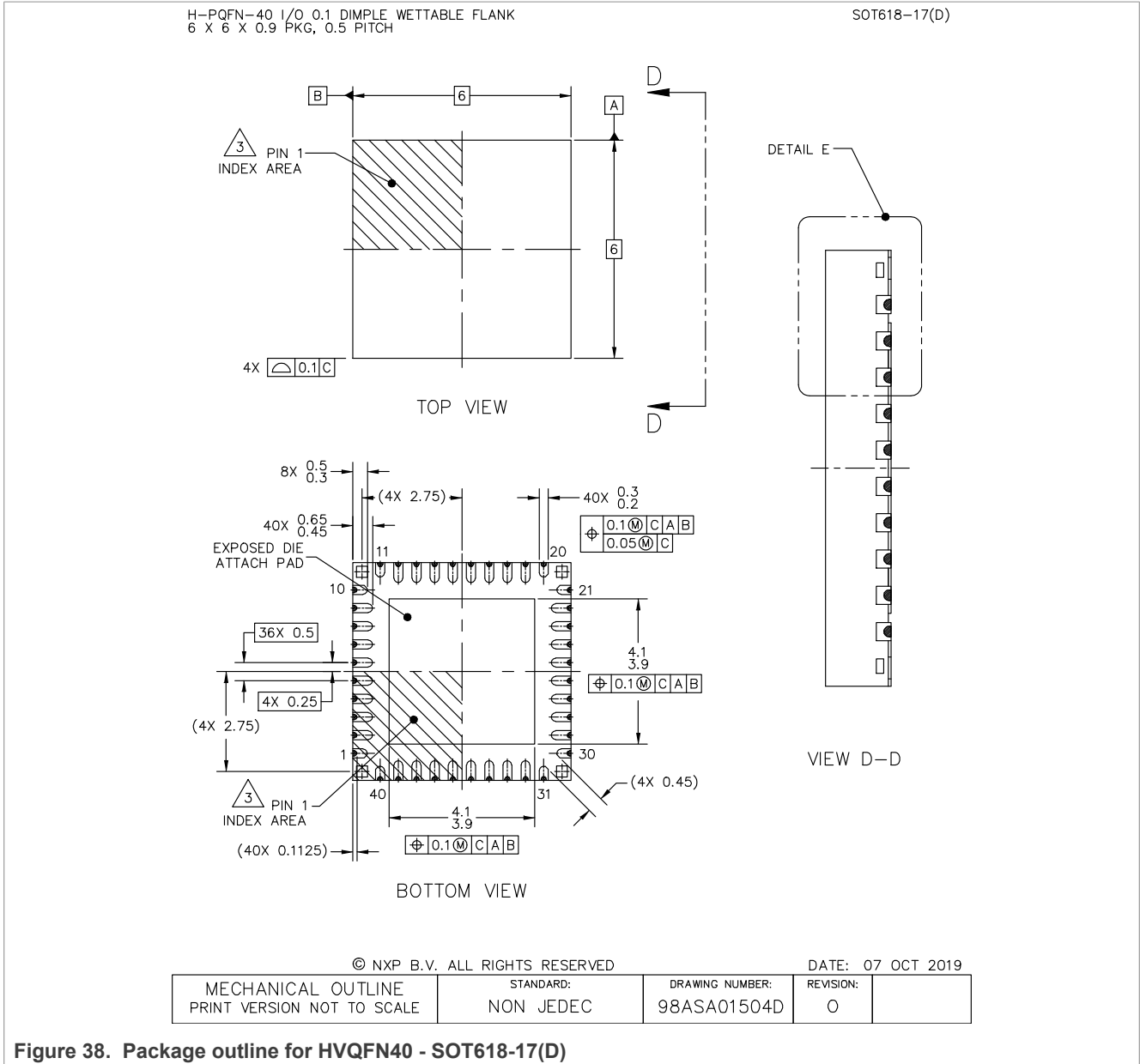
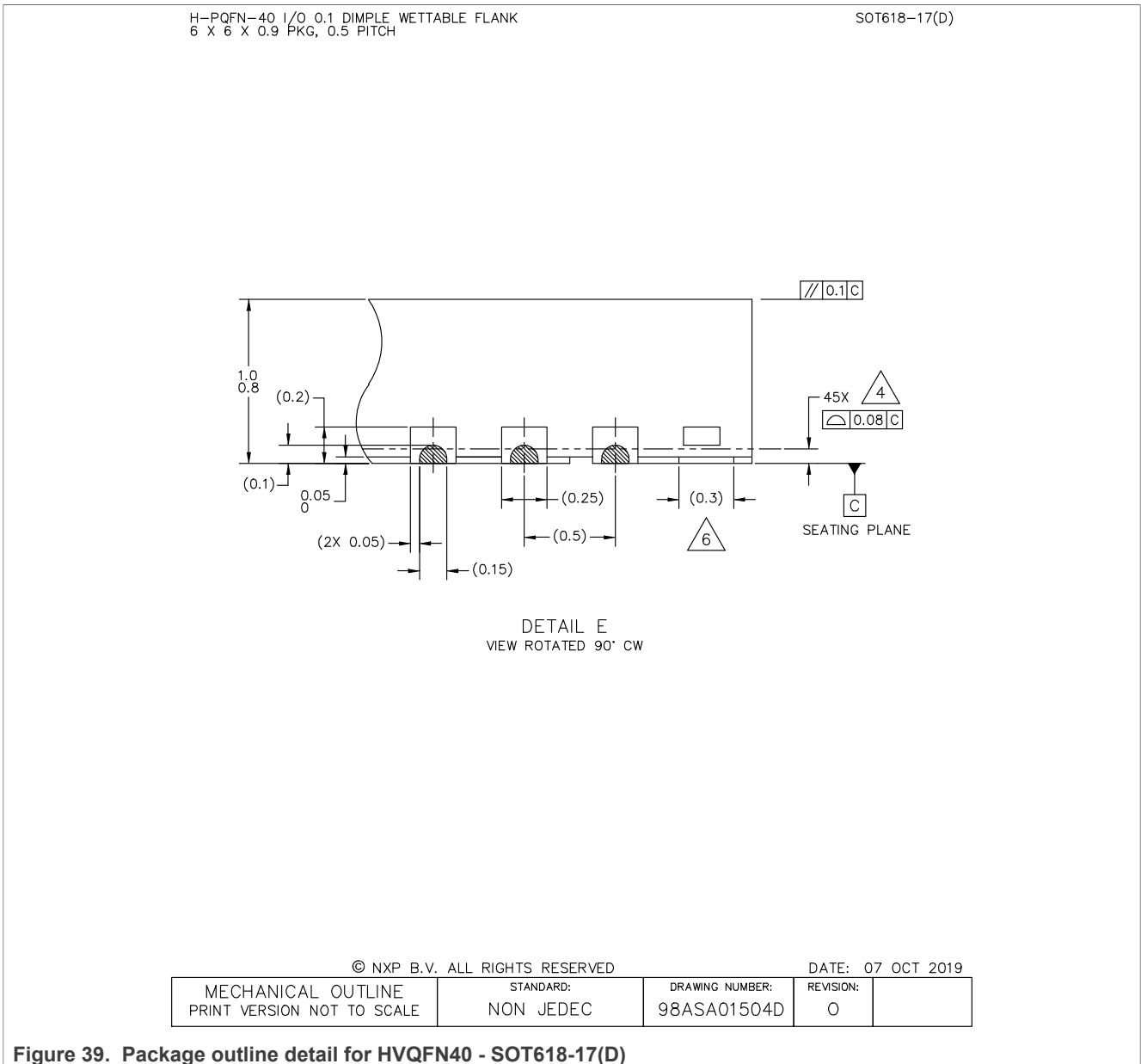


Figure 38. Package outline for HVQFN40 - SOT618-17(D)



Power management integrated circuit (PMIC) for high performance applications

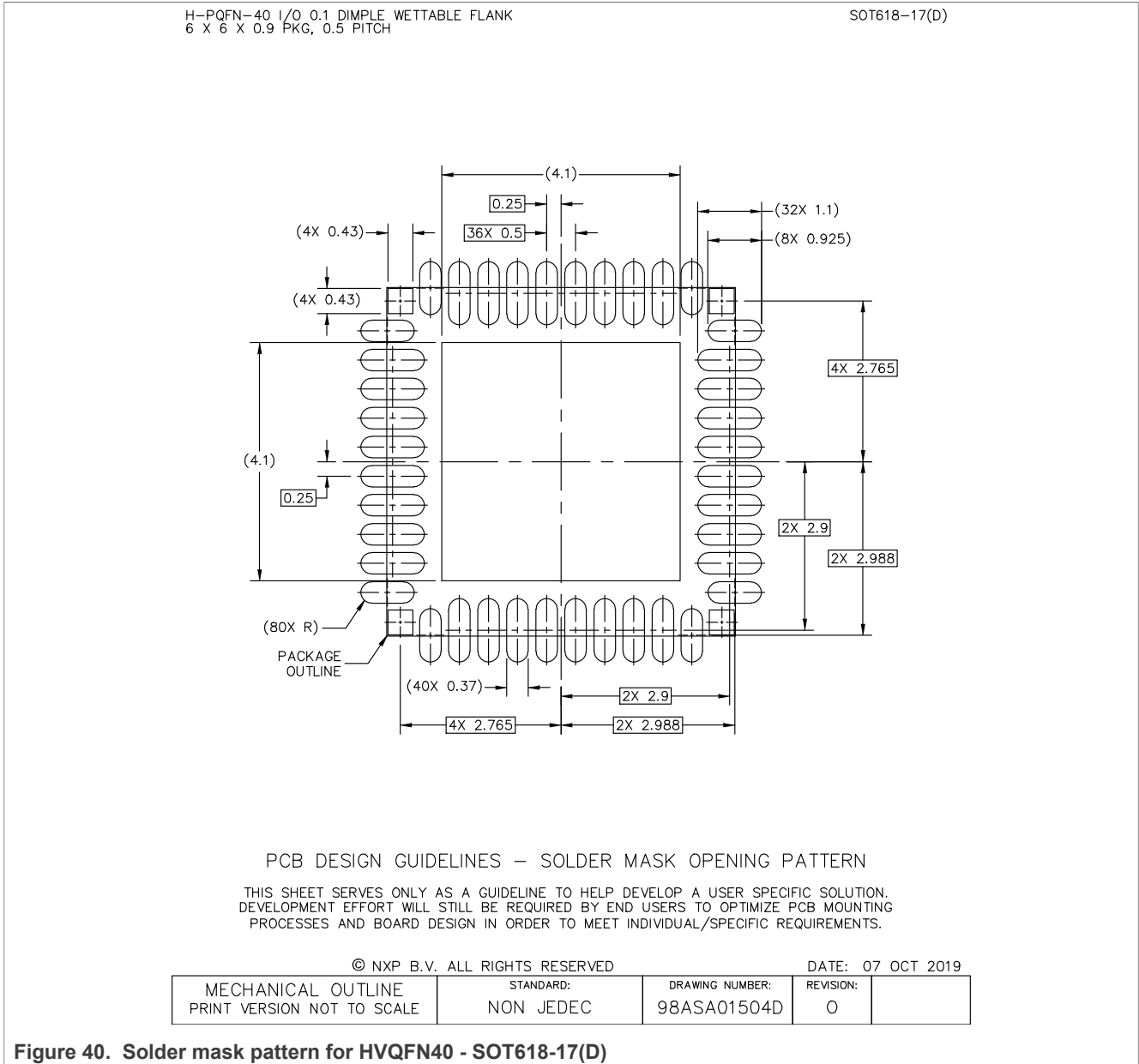
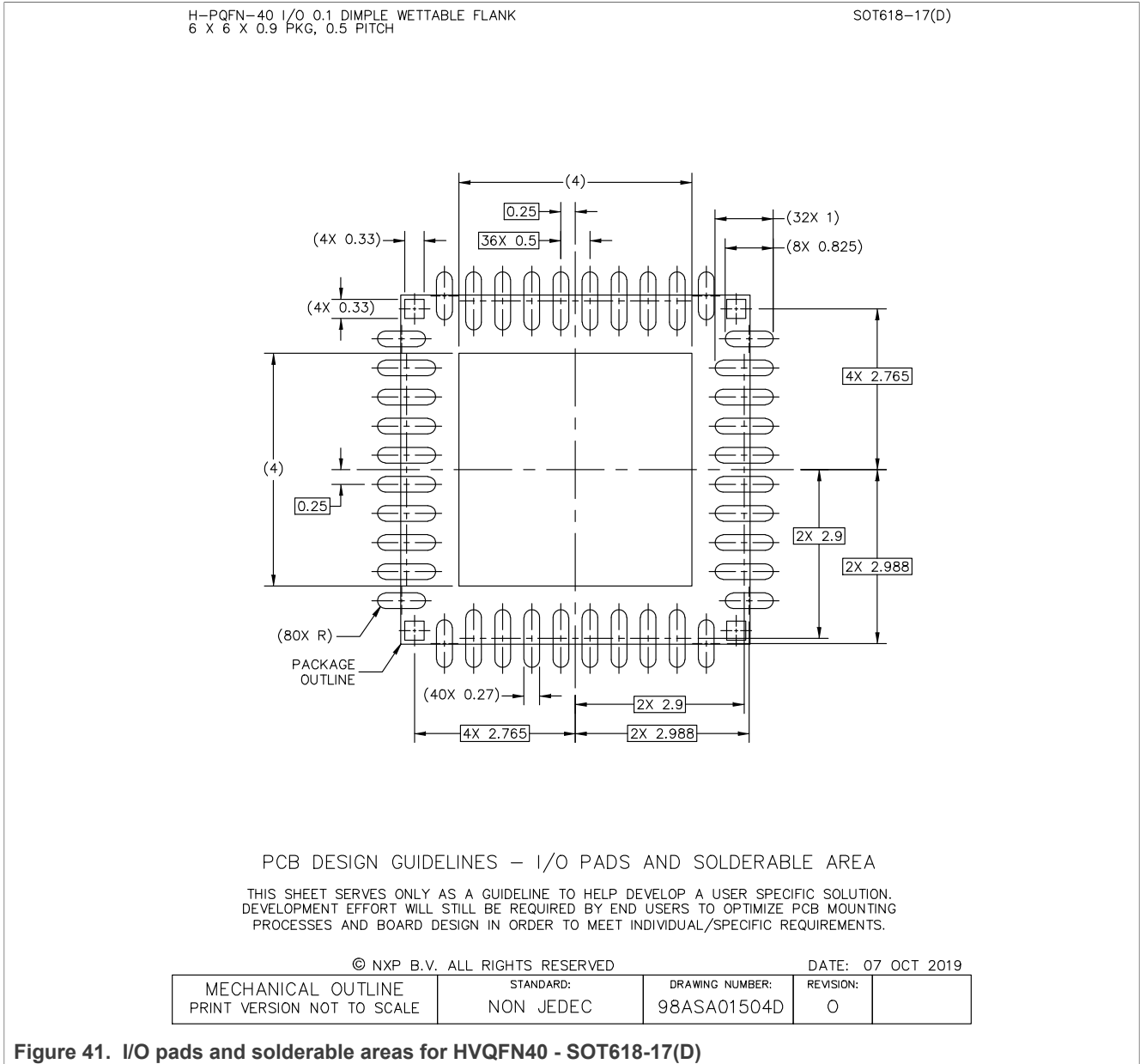


Figure 40. Solder mask pattern for HVQFN40 - SOT618-17(D)

Power management integrated circuit (PMIC) for high performance applications



Power management integrated circuit (PMIC) for high performance applications

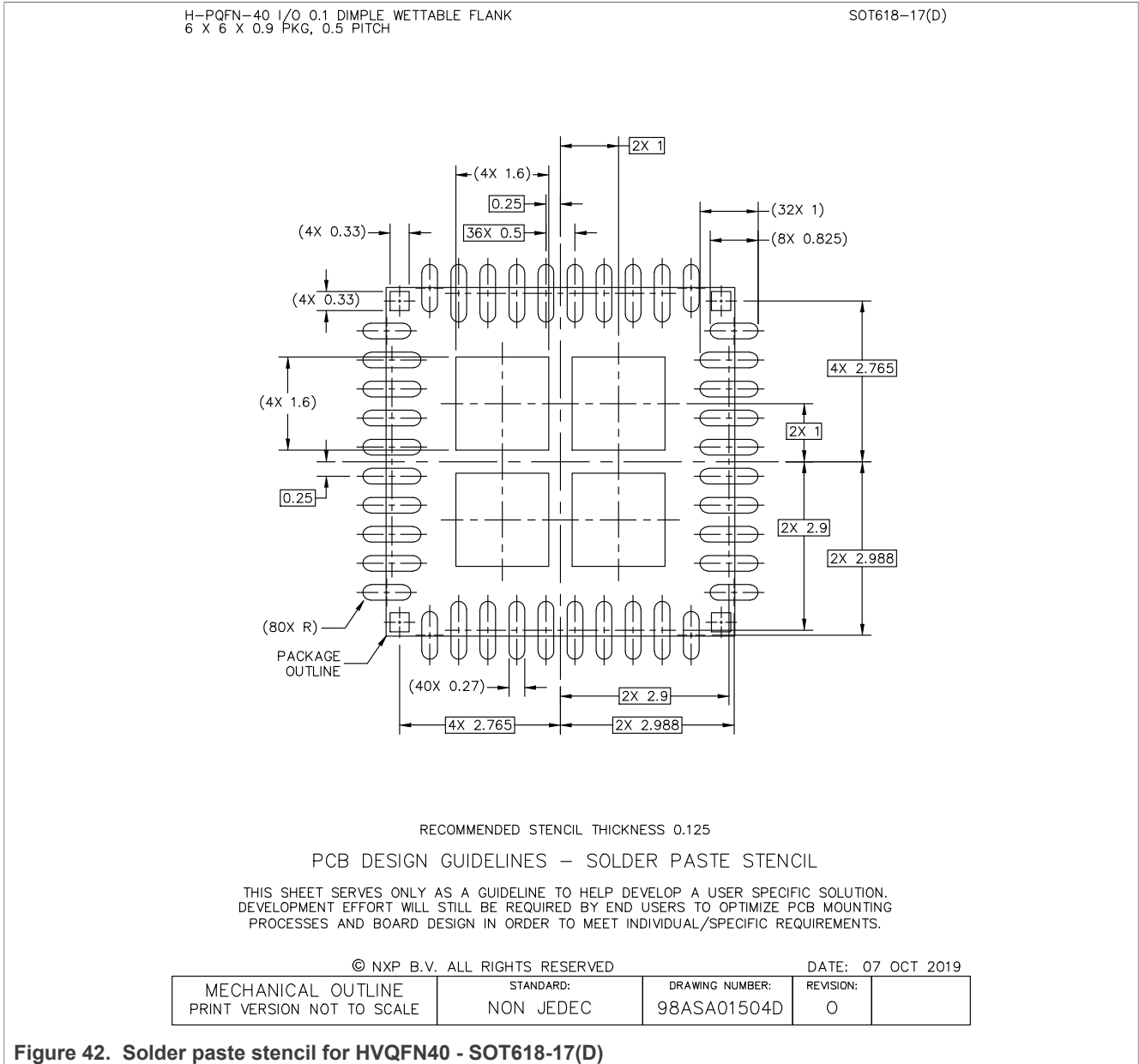


Figure 42. Solder paste stencil for HVQFN40 - SOT618-17(D)

Power management integrated circuit (PMIC) for high performance applications

H-PQFN-40 I/O 0.1 DIMPLE WETTABLE FLANK  
6 X 6 X 0.9 PKG, 0.5 PITCH

SOT618-17(D)

NOTES:

1. ALL DIMENSIONS ARE IN MILLIMETERS.
2. DIMENSIONING AND TOLERANCING PER ASME Y14.5M-1994.
3. PIN 1 FEATURE SHAPE, SIZE AND LOCATION MAY VARY.
4. COPLANARITY APPLIES TO LEADS AND DIE ATTACH PAD.
5. MIN. METAL GAP FOR LEAD TO EXPOSED PAD SHALL BE 0.2 MM.
6. ANCHORING PADS.

© NXP B.V. ALL RIGHTS RESERVED

DATE: 07 OCT 2019

MECHANICAL OUTLINE PRINT VERSION NOT TO SCALE	STANDARD: NON JEDEC	DRAWING NUMBER: 98ASA01504D	REVISION: 0	
--	------------------------	--------------------------------	----------------	--

Figure 43. Package outline notes for HVQFN40 - SOT618-17(D)

## 22 Revision history

Table 72. Revision history

Document ID	Release date	Data sheet status	Change notice	Supersedes
PF5020 v.3.0	20210920	Product data sheet	CIN 202107008I	PF5020 v.2.0
	<ul style="list-style-type: none"> <li>Global: replaced "master" with "primary" and "slave" with "secondary" or "companion"</li> <li><a href="#">Section 4</a>: updated the package version from SOT618-14 to SOT618-17(D). This update is due to the change in the assembly site for this product.</li> <li><a href="#">Section 4</a>: updated all the orderable part numbers with new part number notation for the new assembly site</li> <li><a href="#">Section 4</a>: added the NXP standard reference part number for IMX RT1170 processor</li> <li><a href="#">Section 10</a>: updated min storage temp to -55 °C</li> <li><a href="#">Section 14.9.10</a>: updated <a href="#">Figure 20</a> and <a href="#">Figure 21</a></li> <li><a href="#">Table 6</a>: added Junction to Board Thermal Parameters</li> <li><a href="#">Section 21</a>: updated the package outline drawing for the new assembly site - NXP ATTJ and to change the package from step-cut QFN to dimple cut QFN</li> </ul>			
PF5020 v.2.0	20201214	Product data sheet	CIN 202012017I	PF5020 v.1.0
Modifications	<ul style="list-style-type: none"> <li><a href="#">Section 12.1</a>: updated Buck regulators and LDO regulator features list (deleted "2 % accuracy" and "3 % accuracy")</li> <li><a href="#">Section 13</a>: updated <a href="#">Figure 5</a> and added new transitions to the State machine transition definition table</li> <li><a href="#">Section 14.8</a>: added <a href="#">Table 26</a></li> <li><a href="#">Section 14.9.8</a>: added new paragraph before <a href="#">Table 33</a></li> <li><a href="#">Section 15.3</a>, <a href="#">Section 15.4</a>: added a section for current limit specification (The current limit specification is given with respect to the inductor .....</li> <li><a href="#">Table 46</a>: updated <math>V_{SWxACC}</math> values and conditions</li> <li><a href="#">Table 46</a> (<math>I_{SWx}</math>, <math>I_{SWx\_DP}</math>): added note "The Type 1 buck regulator in single or multiphase configuration is capable of providing output current above the nominal max current specification as long as it does not reach the current limitation. However, if operating above the nominal maximum current, overall thermal considerations must be taken into account to prevent PMIC thermal shutdown during high ambient temperature conditions."</li> <li><a href="#">Table 53</a> (<math>I_{SWND1}</math>): added note "The Type 2 buck regulator is capable of providing output current above the nominal maximum current specification as long as it does not reach the current limitation. However, if operating above the nominal maximum current, overall thermal considerations must be taken into account to prevent PMIC thermal shutdown during high ambient temperature conditions."</li> <li><a href="#">Section 15.7.5</a>: added a section to provide clarification on the system level implementation to handle an external clock failure (Upon an external clock failure, the MCU must proof.....)</li> </ul>			
PF5020 v.1.0	20200415	Product data sheet	—	—

## 23 Legal information

### 23.1 Data sheet status

Document status <sup>[1][2]</sup>	Product status <sup>[3]</sup>	Definition
Objective [short] data sheet	Development	This document contains data from the objective specification for product development.
Preliminary [short] data sheet	Qualification	This document contains data from the preliminary specification.
Product [short] data sheet	Production	This document contains the product specification.

[1] Please consult the most recently issued document before initiating or completing a design.

[2] The term 'short data sheet' is explained in section "Definitions".

[3] The product status of device(s) described in this document may have changed since this document was published and may differ in case of multiple devices. The latest product status information is available on the Internet at URL <http://www.nxp.com>.

### 23.2 Definitions

**Draft** — A draft status on a document indicates that the content is still under internal review and subject to formal approval, which may result in modifications or additions. NXP Semiconductors does not give any representations or warranties as to the accuracy or completeness of information included in a draft version of a document and shall have no liability for the consequences of use of such information.

**Short data sheet** — A short data sheet is an extract from a full data sheet with the same product type number(s) and title. A short data sheet is intended for quick reference only and should not be relied upon to contain detailed and full information. For detailed and full information see the relevant full data sheet, which is available on request via the local NXP Semiconductors sales office. In case of any inconsistency or conflict with the short data sheet, the full data sheet shall prevail.

**Product specification** — The information and data provided in a Product data sheet shall define the specification of the product as agreed between NXP Semiconductors and its customer, unless NXP Semiconductors and customer have explicitly agreed otherwise in writing. In no event however, shall an agreement be valid in which the NXP Semiconductors product is deemed to offer functions and qualities beyond those described in the Product data sheet.

### 23.3 Disclaimers

**Limited warranty and liability** — Information in this document is believed to be accurate and reliable. However, NXP Semiconductors does not give any representations or warranties, expressed or implied, as to the accuracy or completeness of such information and shall have no liability for the consequences of use of such information. NXP Semiconductors takes no responsibility for the content in this document if provided by an information source outside of NXP Semiconductors. In no event shall NXP Semiconductors be liable for any indirect, incidental, punitive, special or consequential damages (including - without limitation - lost profits, lost savings, business interruption, costs related to the removal or replacement of any products or rework charges) whether or not such damages are based on tort (including negligence), warranty, breach of contract or any other legal theory. Notwithstanding any damages that customer might incur for any reason whatsoever, NXP Semiconductors' aggregate and cumulative liability towards customer for the products described herein shall be limited in accordance with the Terms and conditions of commercial sale of NXP Semiconductors.

**Right to make changes** — NXP Semiconductors reserves the right to make changes to information published in this document, including without limitation specifications and product descriptions, at any time and without

notice. This document supersedes and replaces all information supplied prior to the publication hereof.

**Applications** — Applications that are described herein for any of these products are for illustrative purposes only. NXP Semiconductors makes no representation or warranty that such applications will be suitable for the specified use without further testing or modification. Customers are responsible for the design and operation of their applications and products using NXP Semiconductors products, and NXP Semiconductors accepts no liability for any assistance with applications or customer product design. It is customer's sole responsibility to determine whether the NXP Semiconductors product is suitable and fit for the customer's applications and products planned, as well as for the planned application and use of customer's third party customer(s). Customers should provide appropriate design and operating safeguards to minimize the risks associated with their applications and products. NXP Semiconductors does not accept any liability related to any default, damage, costs or problem which is based on any weakness or default in the customer's applications or products, or the application or use by customer's third party customer(s). Customer is responsible for doing all necessary testing for the customer's applications and products using NXP Semiconductors products in order to avoid a default of the applications and the products or of the application or use by customer's third party customer(s). NXP does not accept any liability in this respect.

**Limiting values** — Stress above one or more limiting values (as defined in the Absolute Maximum Ratings System of IEC 60134) will cause permanent damage to the device. Limiting values are stress ratings only and (proper) operation of the device at these or any other conditions above those given in the Recommended operating conditions section (if present) or the Characteristics sections of this document is not warranted. Constant or repeated exposure to limiting values will permanently and irreversibly affect the quality and reliability of the device.

**Terms and conditions of commercial sale** — NXP Semiconductors products are sold subject to the general terms and conditions of commercial sale, as published at <http://www.nxp.com/profile/terms>, unless otherwise agreed in a valid written individual agreement. In case an individual agreement is concluded only the terms and conditions of the respective agreement shall apply. NXP Semiconductors hereby expressly objects to applying the customer's general terms and conditions with regard to the purchase of NXP Semiconductors products by customer.

**No offer to sell or license** — Nothing in this document may be interpreted or construed as an offer to sell products that is open for acceptance or the grant, conveyance or implication of any license under any copyrights, patents or other industrial or intellectual property rights.

**Suitability for use in automotive applications** — This NXP product has been qualified for use in automotive applications. If this product is used by customer in the development of, or for incorporation into, products or services (a) used in safety critical applications or (b) in which failure could lead to death, personal injury, or severe physical or environmental damage (such products and services hereinafter referred to as "Critical Applications"),



---

**Power management integrated circuit (PMIC) for high performance applications**

then customer makes the ultimate design decisions regarding its products and is solely responsible for compliance with all legal, regulatory, safety, and security related requirements concerning its products, regardless of any information or support that may be provided by NXP. As such, customer assumes all risk related to use of any products in Critical Applications and NXP and its suppliers shall not be liable for any such use by customer. Accordingly, customer will indemnify and hold NXP harmless from any claims, liabilities, damages and associated costs and expenses (including attorneys' fees) that NXP may incur related to customer's incorporation of any product in a Critical Application.

**Export control** — This document as well as the item(s) described herein may be subject to export control regulations. Export might require a prior authorization from competent authorities.

**Translations** — A non-English (translated) version of a document is for reference only. The English version shall prevail in case of any discrepancy between the translated and English versions.

## 23.4 Trademarks

Notice: All referenced brands, product names, service names and trademarks are the property of their respective owners.

**I<sup>2</sup>C-bus** — logo is a trademark of NXP B.V.

**NXP** — wordmark and logo are trademarks of NXP B.V.

Tables

Tab. 1.	Ordering information	2	Tab. 36.	Internal supplies electrical characteristics	51
Tab. 2.	Pin description	4	Tab. 37.	VSNVS output voltage configuration	51
Tab. 3.	Absolute maximum ratings	5	Tab. 38.	VSNVS electrical characteristics	52
Tab. 4.	ESD ratings	6	Tab. 39.	SWx ramp rates	53
Tab. 5.	Thermal characteristics	6	Tab. 40.	SWx output voltage configuration	54
Tab. 6.	QFN40 thermal resistance and package dissipation ratings	6	Tab. 41.	SWx regulator mode configuration	54
Tab. 7.	Operating conditions	6	Tab. 42.	SWx current limit selection	55
Tab. 8.	Voltage supply summary	8	Tab. 43.	SWx phase configuration	55
Tab. 9.	Device differences	8	Tab. 44.	SWx inductor selection bits	55
Tab. 10.	State machine transition definition	11	Tab. 45.	OTP_SW1CONFIG register description	56
Tab. 11.	Fail-safe OK timer configuration	19	Tab. 46.	Type 1 buck regulator electrical characteristics	57
Tab. 12.	UVDET threshold	19	Tab. 47.	Recommended external components	59
Tab. 13.	VIN_OVLO debounce configuration	20	Tab. 48.	SWND1 output voltage configuration	60
Tab. 14.	VIN_OVLO specifications	20	Tab. 49.	SWND1 regulator mode configuration	61
Tab. 15.	Startup timing requirements (PWRON pulled up)	21	Tab. 50.	SWND1 current limit selection	61
Tab. 16.	Startup with PWRON driven high externally and LPM_OFF = 0	22	Tab. 51.	SWND1 phase configuration	61
Tab. 17.	Power up time base register	23	Tab. 52.	SWND1 inductor selection bits	62
Tab. 18.	Power up sequence registers	23	Tab. 53.	Type 2 buck regulator electrical characteristics	62
Tab. 19.	Power down regulator group bits	27	Tab. 54.	Recommended external components	63
Tab. 20.	Power down counter delay	27	Tab. 55.	LDO operation description	64
Tab. 21.	Programmable delay after RESETBMCU is asserted	27	Tab. 56.	LDO output voltage configuration	65
Tab. 22.	Power down delay selection	28	Tab. 57.	LDO regulator electrical characteristics	65
Tab. 23.	Regulator control during fault event bits	30	Tab. 58.	UV threshold configuration register	67
Tab. 24.	Fault timer register configuration	32	Tab. 59.	OV threshold configuration register	67
Tab. 25.	Fault bypass bits	32	Tab. 60.	UV debounce timer configuration	67
Tab. 26.	EWARN configuration	37	Tab. 61.	OV debounce timer configuration	67
Tab. 27.	Interrupt registers	38	Tab. 62.	VMON electrical characteristics	69
Tab. 28.	I/O electrical specifications	39	Tab. 63.	Manual frequency tuning configuration	71
Tab. 29.	PWRON debounce configuration in edge detection mode	40	Tab. 64.	Clock management specifications	73
Tab. 30.	TRESET configuration	41	Tab. 65.	Thermal monitor specifications	75
Tab. 31.	Standby pin polarity control	41	Tab. 66.	Thermal monitor bit description	76
Tab. 32.	PGOODx assignment	44	Tab. 67.	AMUX channel selection	76
Tab. 33.	ENx assignment	44	Tab. 68.	Watchdog duration register	77
Tab. 34.	I2C address configuration	48	Tab. 69.	Soft WD register reset	79
Tab. 35.	Secure bits	49	Tab. 70.	Default hardwire configuration	91
			Tab. 71.	Quiescent current requirements	95
			Tab. 72.	Revision history	103

Figures

Fig. 1.	Simplified application diagram	2	Fig. 10.	Group power down sequence example	28
Fig. 2.	Internal block diagram	3	Fig. 11.	Power down delay	29
Fig. 3.	Pin configuration for 40-pin QFN	4	Fig. 12.	Regulator turned off upon with RegX_ STATE = 0 and FLT_REN = 0	30
Fig. 4.	Functional block diagram	8	Fig. 13.	Regulator turned off upon with RegX_ STATE = 0 and FLT_REN = 1	31
Fig. 5.	State diagram	10	Fig. 14.	Correct power up (no fault during power up)	34
Fig. 6.	Startup with PWRON pulled up	21	Fig. 15.	Power up sequencer with a temporary failure	35
Fig. 7.	Startup with PWRON driven high externally and bit LPM_OFF = 0	22	Fig. 16.	Power up sequencer aborted as fault persists for longer than 2.0 ms	36
Fig. 8.	Power up/down sequence between Off and system On state	24			
Fig. 9.	Power up/down sequence between run and standby	25			

## Power management integrated circuit (PMIC) for high performance applications

Fig. 17.	I/O interface diagram .....	39	Fig. 32.	Soft WD reset behavior .....	81
Fig. 18.	XFAILB behavior during a power up sequence .....	46	Fig. 33.	Hard WD reset behavior .....	81
Fig. 19.	XFAILB behavior during a power down sequence .....	46	Fig. 34.	Watchdog event counter .....	82
Fig. 20.	Behavior during an external XFAILB event .....	47	Fig. 35.	TBB operation diagram .....	89
Fig. 21.	External XFAILB event during a power up sequence .....	47	Fig. 36.	Hardwire operation diagram .....	91
Fig. 22.	8 bit SAE J1850 CRC polynomial .....	49	Fig. 37.	Typical application diagram .....	96
Fig. 23.	VSNVS block diagram .....	51	Fig. 38.	Package outline for HVQFN40 - SOT618-17(D) .....	97
Fig. 24.	Buck regulator block diagram .....	53	Fig. 39.	Package outline detail for HVQFN40 - SOT618-17(D) .....	98
Fig. 25.	Type 2 buck regulator block diagram .....	59	Fig. 40.	Solder mask pattern for HVQFN40 - SOT618-17(D) .....	99
Fig. 26.	LDO1 regulator block diagram .....	64	Fig. 41.	I/O pads and solderable areas for HVQFN40 - SOT618-17(D) .....	100
Fig. 27.	Voltage monitoring architecture .....	68	Fig. 42.	Solder paste stencil for HVQFN40 - SOT618-17(D) .....	101
Fig. 28.	Clock management architecture .....	70	Fig. 43.	Package outline notes for HVQFN40 - SOT618-17(D) .....	102
Fig. 29.	Spread-spectrum waveforms .....	72			
Fig. 30.	Thermal monitoring architecture .....	75			
Fig. 31.	Watchdog timer operation .....	78			

## Contents

<b>1</b>	<b>Overview</b> .....	<b>1</b>	14.9.6	PGOOD .....	43
<b>2</b>	<b>Features</b> .....	<b>1</b>	14.9.7	PGOODx .....	44
<b>3</b>	<b>Simplified application diagram</b> .....	<b>2</b>	14.9.8	ENx .....	44
<b>4</b>	<b>Ordering information</b> .....	<b>2</b>	14.9.9	TBBEN .....	44
<b>5</b>	<b>Applications</b> .....	<b>3</b>	14.9.10	XFAILB .....	45
<b>6</b>	<b>Internal block diagram</b> .....	<b>3</b>	14.9.11	SDA and SCL (I2C bus) .....	48
<b>7</b>	<b>Pinning information</b> .....	<b>4</b>	14.9.11.1	I2C CRC verification .....	48
7.1	Pinning .....	4	14.9.11.2	I2C secure write .....	49
7.2	Pin description .....	4	<b>15</b>	<b>Functional blocks</b> .....	<b>50</b>
<b>8</b>	<b>Absolute maximum ratings</b> .....	<b>5</b>	15.1	Analog core and internal voltage references .....	50
<b>9</b>	<b>ESD ratings</b> .....	<b>6</b>	15.2	VSNVS LDO/switch .....	51
<b>10</b>	<b>Thermal characteristics</b> .....	<b>6</b>	15.3	Type 1 buck regulators (SW1 and SW2) .....	52
<b>11</b>	<b>Operating conditions</b> .....	<b>6</b>	15.3.1	SW2 VTT operation .....	55
<b>12</b>	<b>General description</b> .....	<b>7</b>	15.3.2	Multiphase operation .....	56
12.1	Features .....	7	15.3.3	Electrical characteristics .....	57
12.2	Functional block diagram .....	8	15.4	Type 2 buck regulator (SWND1) .....	59
12.3	Power tree summary .....	8	15.4.1	Electrical characteristics .....	62
12.4	Device differences .....	8	15.5	Linear regulator .....	64
<b>13</b>	<b>State machine</b> .....	<b>10</b>	15.5.1	LDO load switch operation .....	65
13.1	State descriptions .....	14	15.5.2	LDO regulator electrical characteristics .....	65
13.1.1	OTP/TRIM load .....	14	15.6	Voltage monitoring .....	66
13.1.2	LP_Off state .....	14	15.6.1	Electrical characteristics .....	69
13.1.3	Self-test routine (PF5020 ASIL B only) .....	14	15.7	Clock management .....	69
13.1.4	QPU_Off state .....	15	15.7.1	Low frequency clock .....	70
13.1.5	Power up sequence .....	15	15.7.2	High frequency clock .....	70
13.1.6	System On state .....	15	15.7.3	Manual frequency tuning .....	70
13.1.6.1	Run state .....	15	15.7.4	Spread-spectrum .....	71
13.1.6.2	Standby state .....	16	15.7.5	Clock synchronization .....	72
13.1.7	WD_Reset .....	17	15.8	Thermal monitoring .....	74
13.1.8	Power down state .....	17	15.9	Analog multiplexer .....	76
13.1.9	Fail-safe transition .....	18	15.10	Watchdog event management .....	77
13.1.10	Fail-safe state (PF5020 ASIL B only) .....	18	15.10.1	Internal watchdog timer .....	77
<b>14</b>	<b>General device operation</b> .....	<b>19</b>	15.10.2	Watchdog reset behaviors .....	79
14.1	UVDET .....	19	<b>16</b>	<b>I2C register map</b> .....	<b>82</b>
14.2	VIN OVLO condition .....	19	16.1	PF5020 OTP mirror register map .....	83
14.3	IC startup timing with PWRON pulled up .....	20	16.2	PF5020 functional register map .....	85
14.4	IC startup timing with PWRON pulled low during VIN application .....	21	<b>17</b>	<b>OTP/TBB and hardware default configurations</b> .....	<b>87</b>
14.5	Power up .....	22	17.1	TBB (Try Before Buy) operation .....	88
14.5.1	Power up events .....	22	17.2	OTP fuse programming .....	89
14.5.2	Power up sequencing .....	23	17.3	Default hardware configuration .....	89
14.6	Power down .....	25	<b>18</b>	<b>Functional safety</b> .....	<b>93</b>
14.6.1	Turn off events .....	25	18.1	System safety strategy .....	93
14.6.2	Power down sequencing .....	26	18.2	Output voltage monitoring with dedicated bandgap reference .....	93
14.6.2.1	Sequential power down .....	26	18.3	ABIST verification .....	94
14.6.2.2	Group power down .....	26	<b>19</b>	<b>IC level quiescent current requirements</b> .....	<b>95</b>
14.6.2.3	Power down delay .....	28	<b>20</b>	<b>Typical applications</b> .....	<b>96</b>
14.7	Fault detection .....	29	<b>21</b>	<b>Package outline</b> .....	<b>97</b>
14.7.1	Fault monitoring during power up state .....	33	<b>22</b>	<b>Revision history</b> .....	<b>103</b>
14.8	Interrupt management .....	36	<b>23</b>	<b>Legal information</b> .....	<b>104</b>
14.9	I/O interface pins .....	38			
14.9.1	PWRON .....	40			
14.9.2	STANDBY .....	41			
14.9.3	RESETBMCU .....	41			
14.9.4	INTB .....	42			
14.9.5	WDI .....	42			

---

Please be aware that important notices concerning this document and the product(s) described herein, have been included in section 'Legal information'.

---

© NXP B.V. 2021.

All rights reserved.

For more information, please visit: <http://www.nxp.com>

For sales office addresses, please send an email to: [salesaddresses@nxp.com](mailto:salesaddresses@nxp.com)

Date of release: 20 September 2021

Document identifier: PF5020