

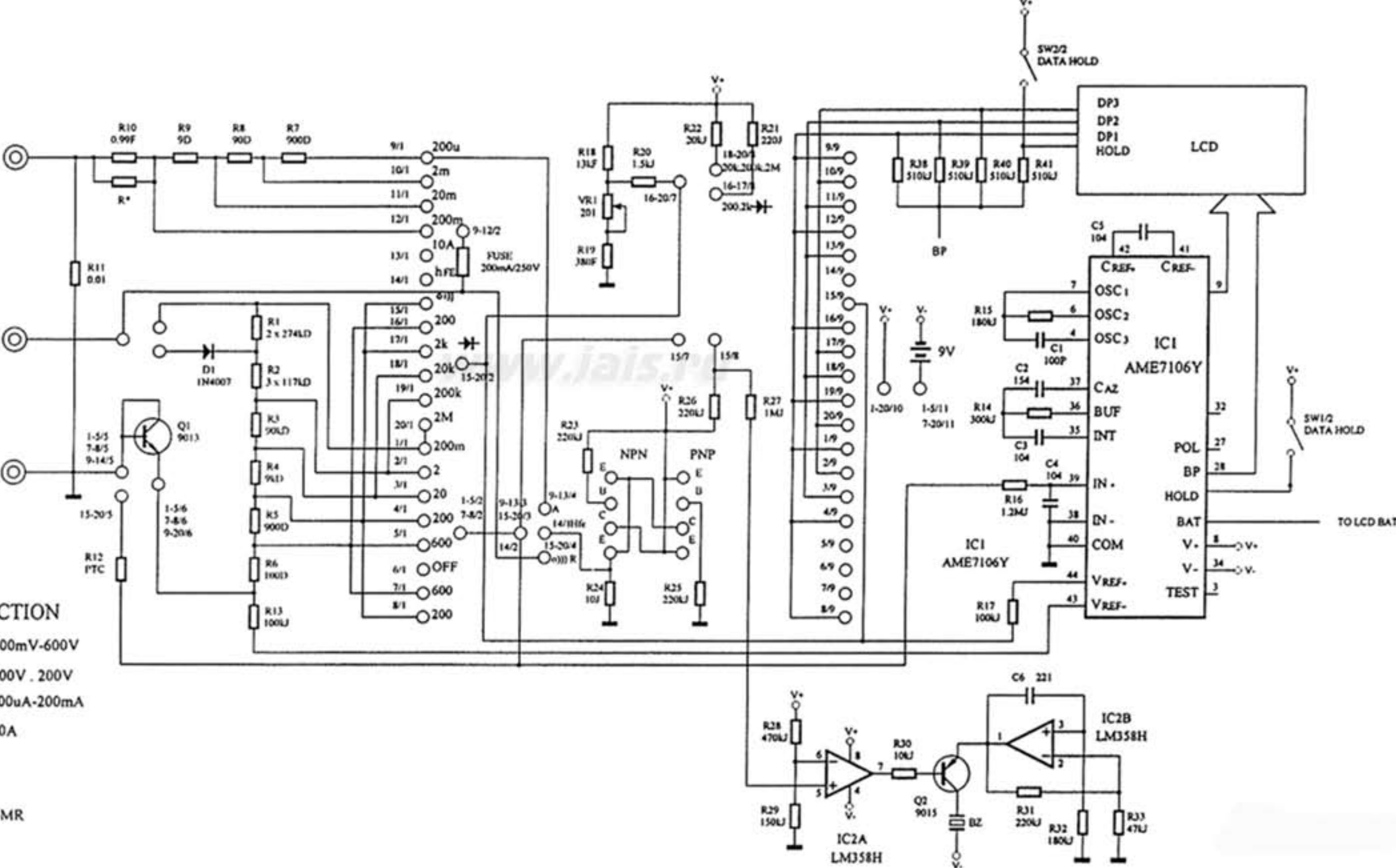
- 200u
- 2m
- 20m
- 200m
- 10A
- hFE
- o)))
- 200
- 2k
- 20k
- 200k
- 2M
- 200m
- 2
- 20
- 200
- 600
- OFF
- 600
- 200

10ADC

V/R/mA

COM

POSITION	FUNCTION
1-5	DCV 200mV-600V
7-8	ACV 600V . 200V
9-12	DCA 200uA-200mA
13	DCA 10A
14	HFE
15	O)))
16-20	200R-2MR



SW1/2 DATA HOLD

TO LCD BAT

IC2A LM358H

IC2B LM358H

IC1 AME7106Y

IC1 AME7106Y

LCD

SW2/2 DATA HOLD

9V

www.jaisr.in